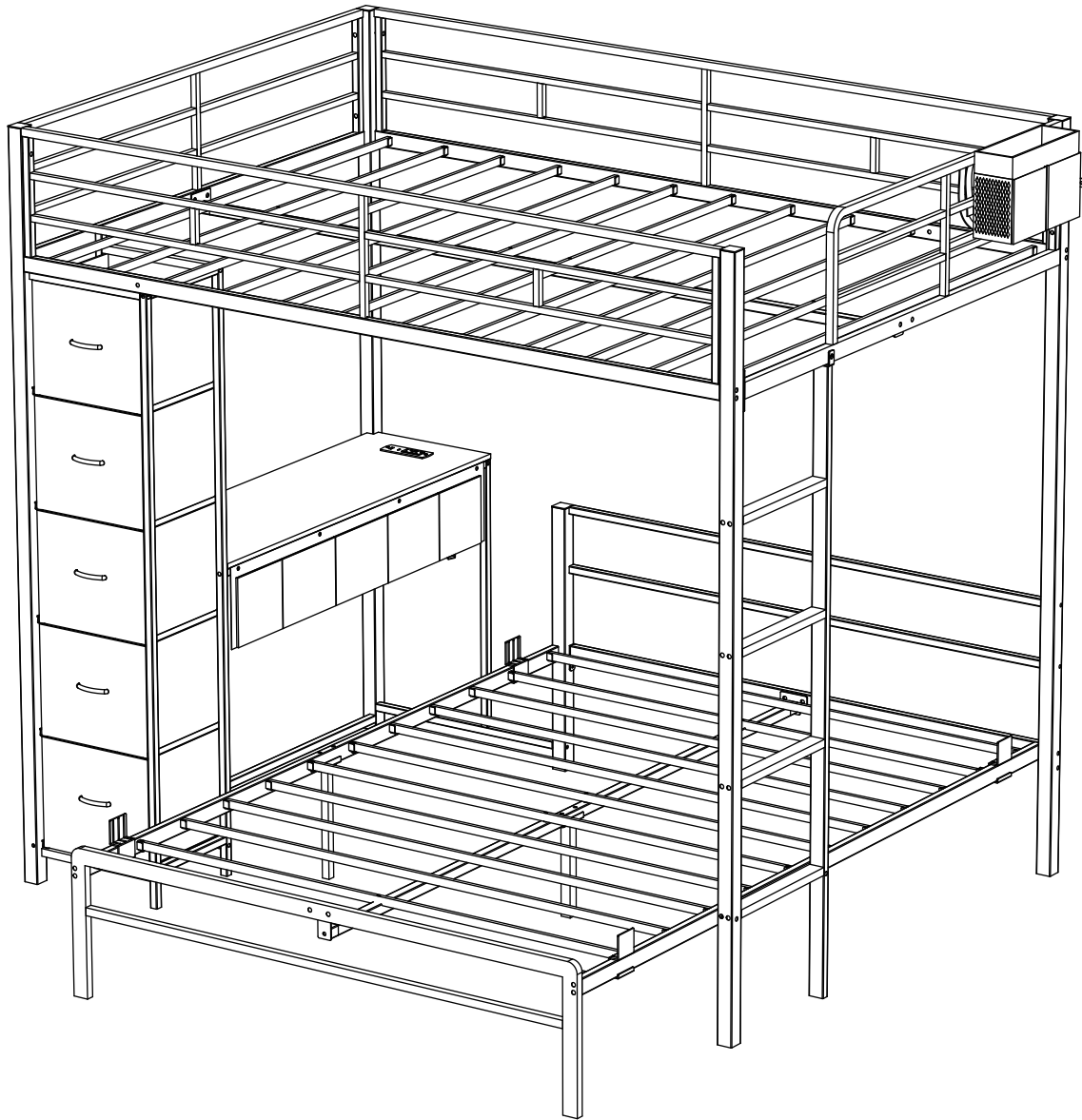


# ASSEMBLY INSTRUCTION



**CAUTION:** When tightening the screws, tighten sequentially.  
Do not tighten any screws fully and then towards the next one.  
When every part is OK, then tighten all the screws.  
If the wall nails are not locked, there is a risk of the bed overturning

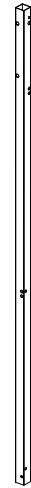


Version: 1.0

# Assembly Instruction



**1**  
x1



**2**  
x1



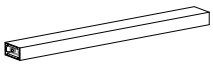
**3**  
x1



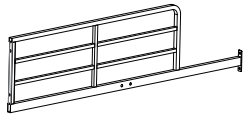
**4**  
x1



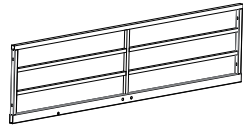
**5**  
x1



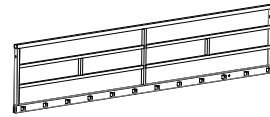
**6**  
x4



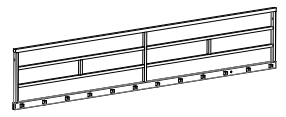
**7**  
x1



**8**  
x1



**9**  
x1



**10**  
x1



**11**  
x1



**12**  
x1



**13**  
x1



**14**  
x1



**15**  
x5



**16**  
x1



**17**  
x1



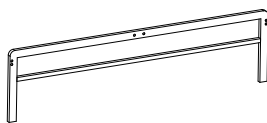
**18**  
x1



**19**  
x1



**20**  
x3



**21**  
x1



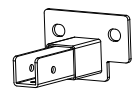
**22**  
x1



**23**  
x1

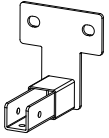


**24**  
x1

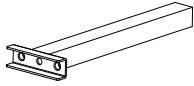


**25**  
x1

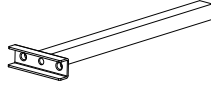
# Assembly Instruction



26  
x1



27  
x1



28  
x1



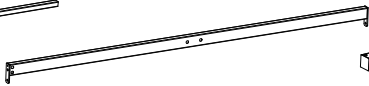
29  
x4



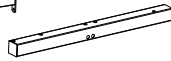
30  
x8



31  
x2



32  
x1



33  
x1



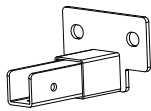
34  
x5



35  
x5



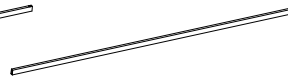
36  
x1



37  
x2



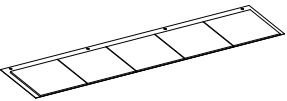
38  
x4



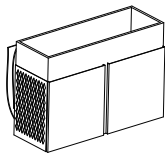
39  
x8



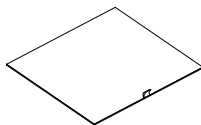
40  
x1



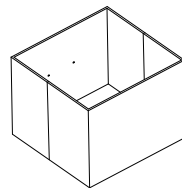
41  
x1



42  
x1



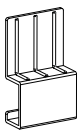
43  
x5



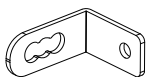
44  
x5



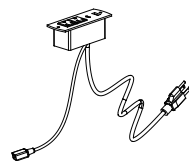
45  
x5



46  
x4



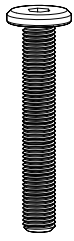
47  
x2



48  
x1

# Assembly Instruction

## Hardware parts 1



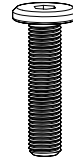
**A**  
M8\*55  
x20



**B**  
M8\*50  
x6



**C**  
M8\*40  
x6



**D**  
M8\*35  
x28



**E**  
M8\*15  
x5



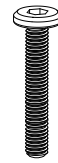
**F**  
M6\*55  
x11



**G**  
x1



**H**  
M6\*45  
x5



**I**  
M6\*35  
x28



**J**  
M6\*28  
x3



**K**  
x1



**L**  
M6\*12  
x14



**M**  
M5\*25  
x16



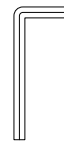
**N**  
M6\*50  
x2



**O**  
3\*12  
x2



**P**  
M8  
x8



**Q**  
x1

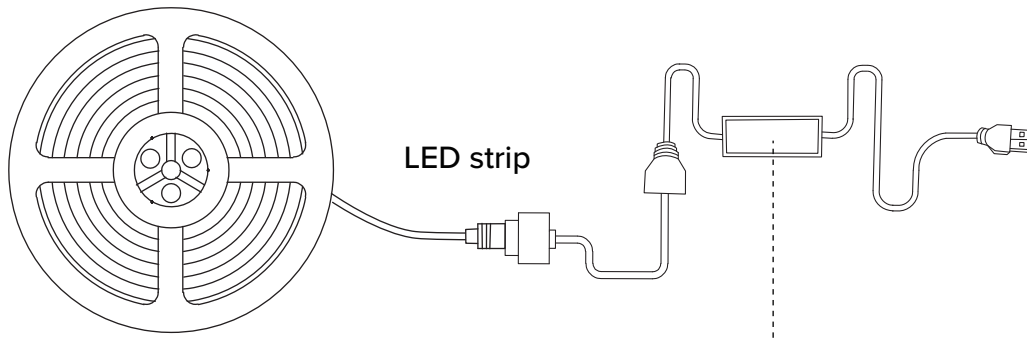
## Hardware parts 2



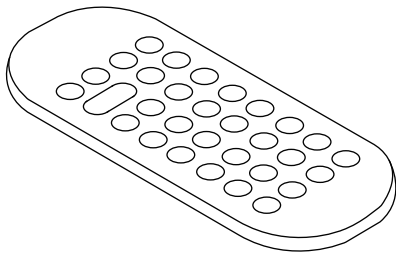
**T**  
4\*10  
x10

# Assembly Instruction

## LED light strip electronic accessories list

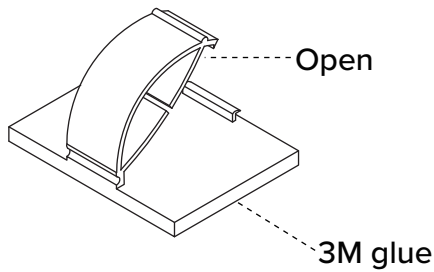


x1  
light bar

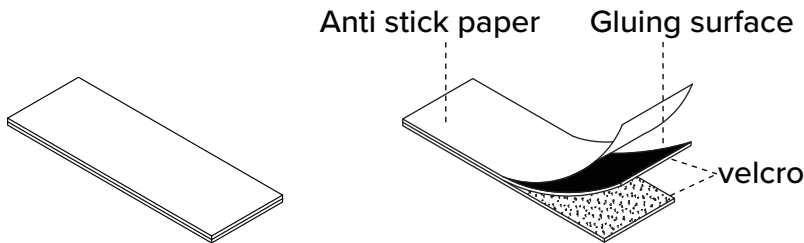
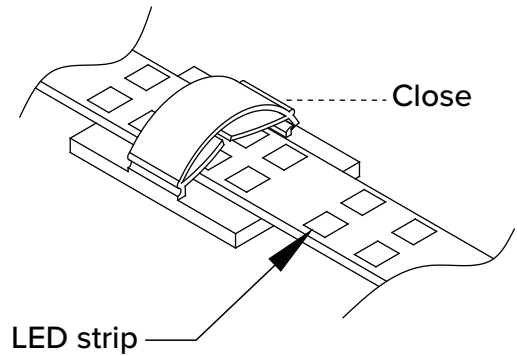


x1  
Remote control

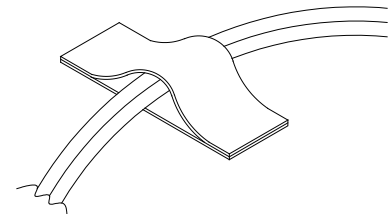
There is a two-dimensional code at the position of the power line. Scanning can download the APP for the control light.



x5  
LED strip with clips



x3  
Thread embedding buckle

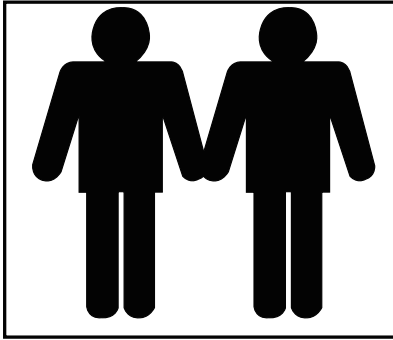


When the wires are disordered, tear off the anti stick paper, paste it on the place where the wires pass, and then bind the wires.

# Assembly Instruction

## Note:

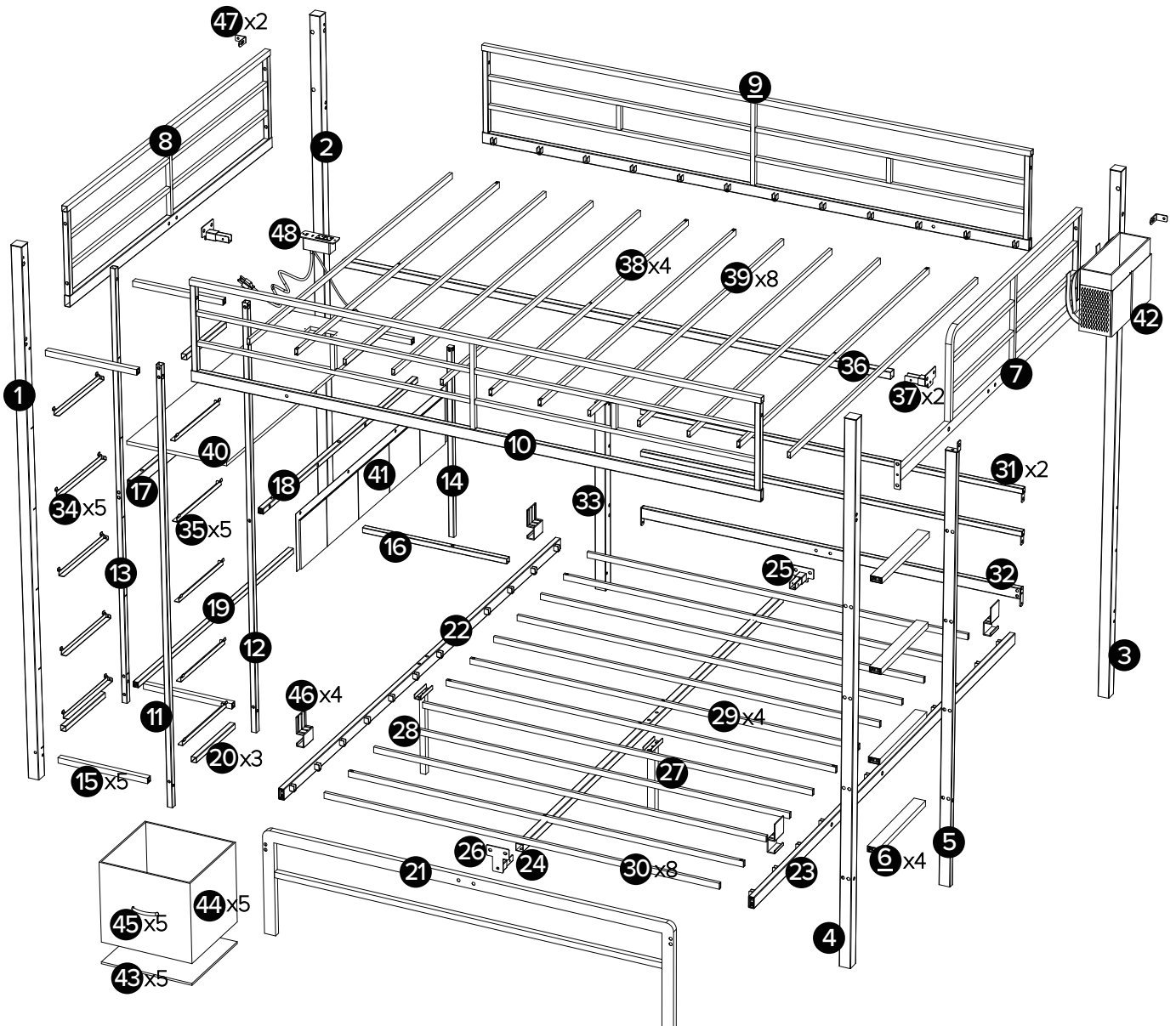
1. Should be assembled on flat ground to keep balance.
2. Before completing the installation, do not tighten the screws.



It needs at least two people to install.

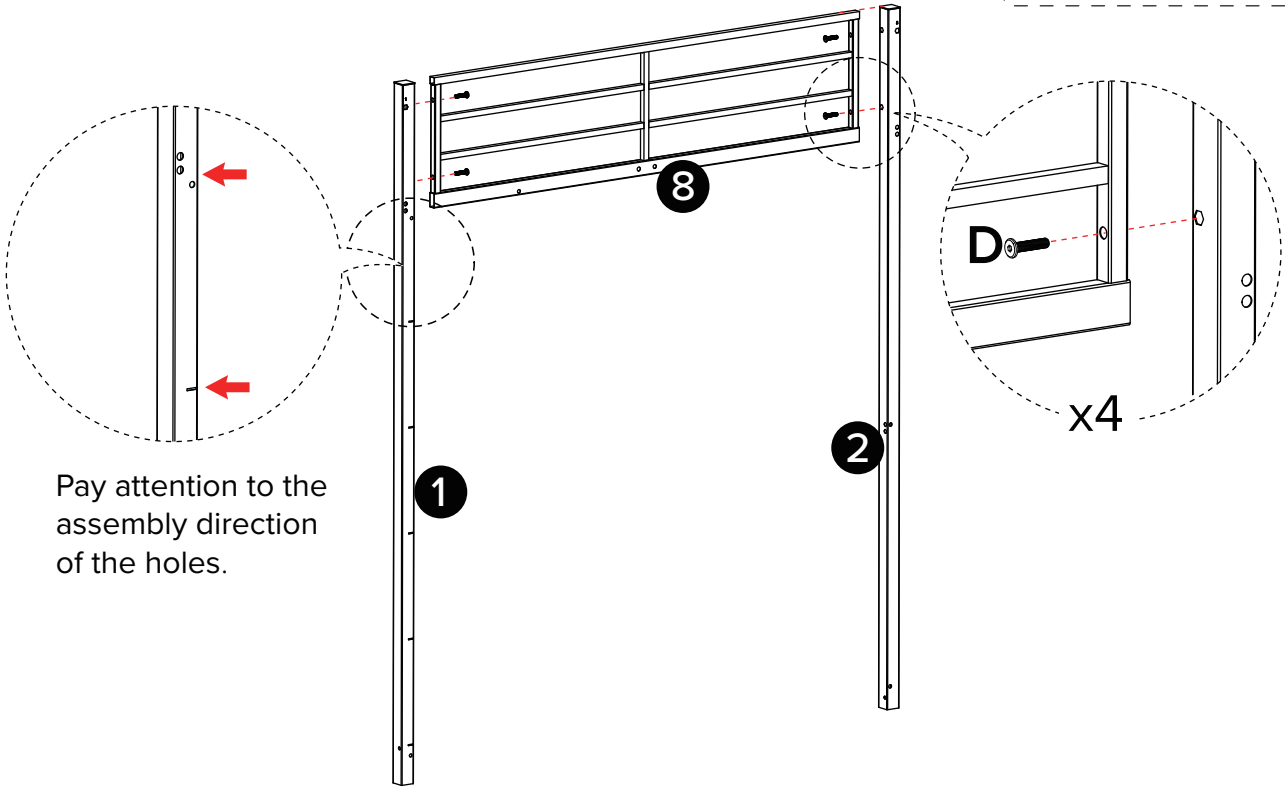
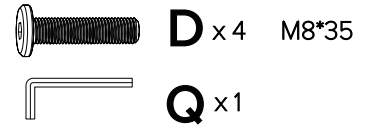


Before starting the assembly, you must read the whole manual and follow the instructions

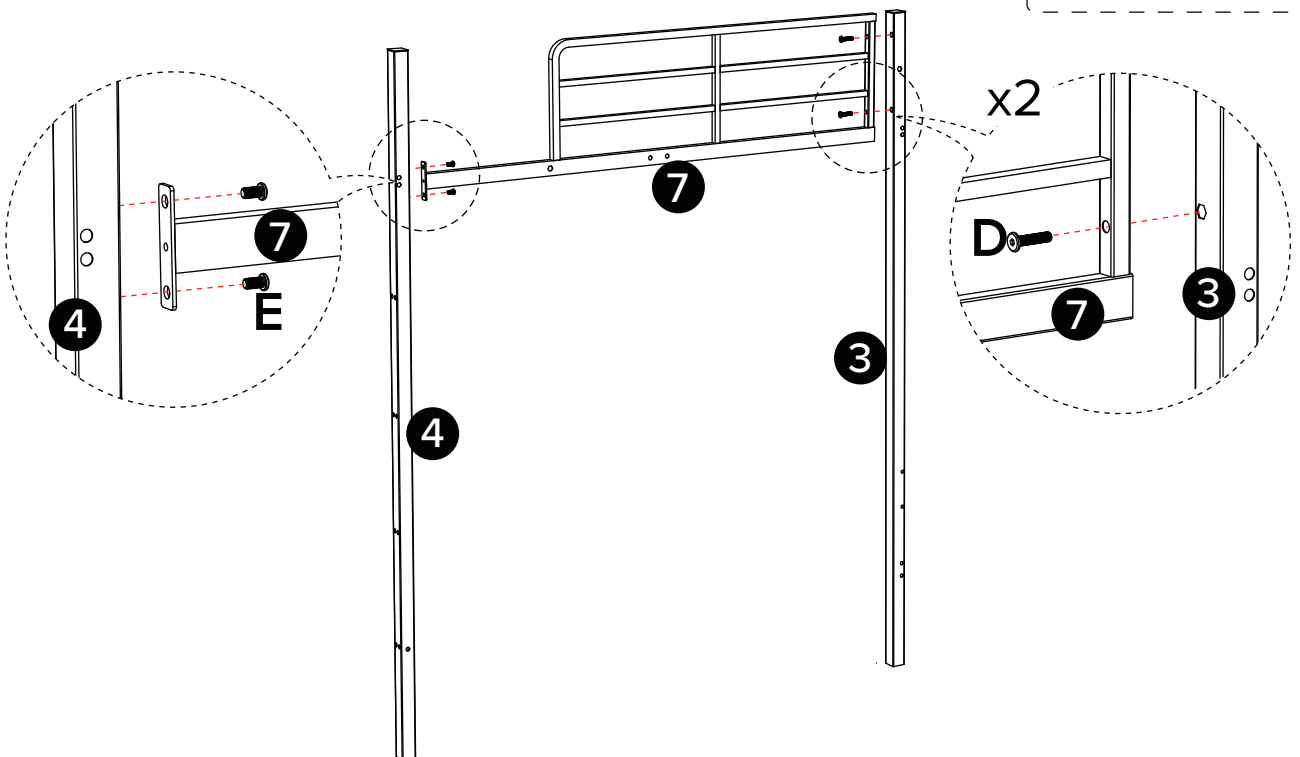
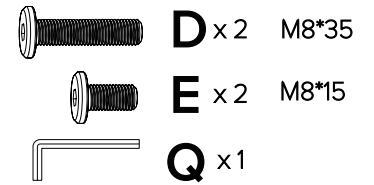


# Assembly Instruction

1

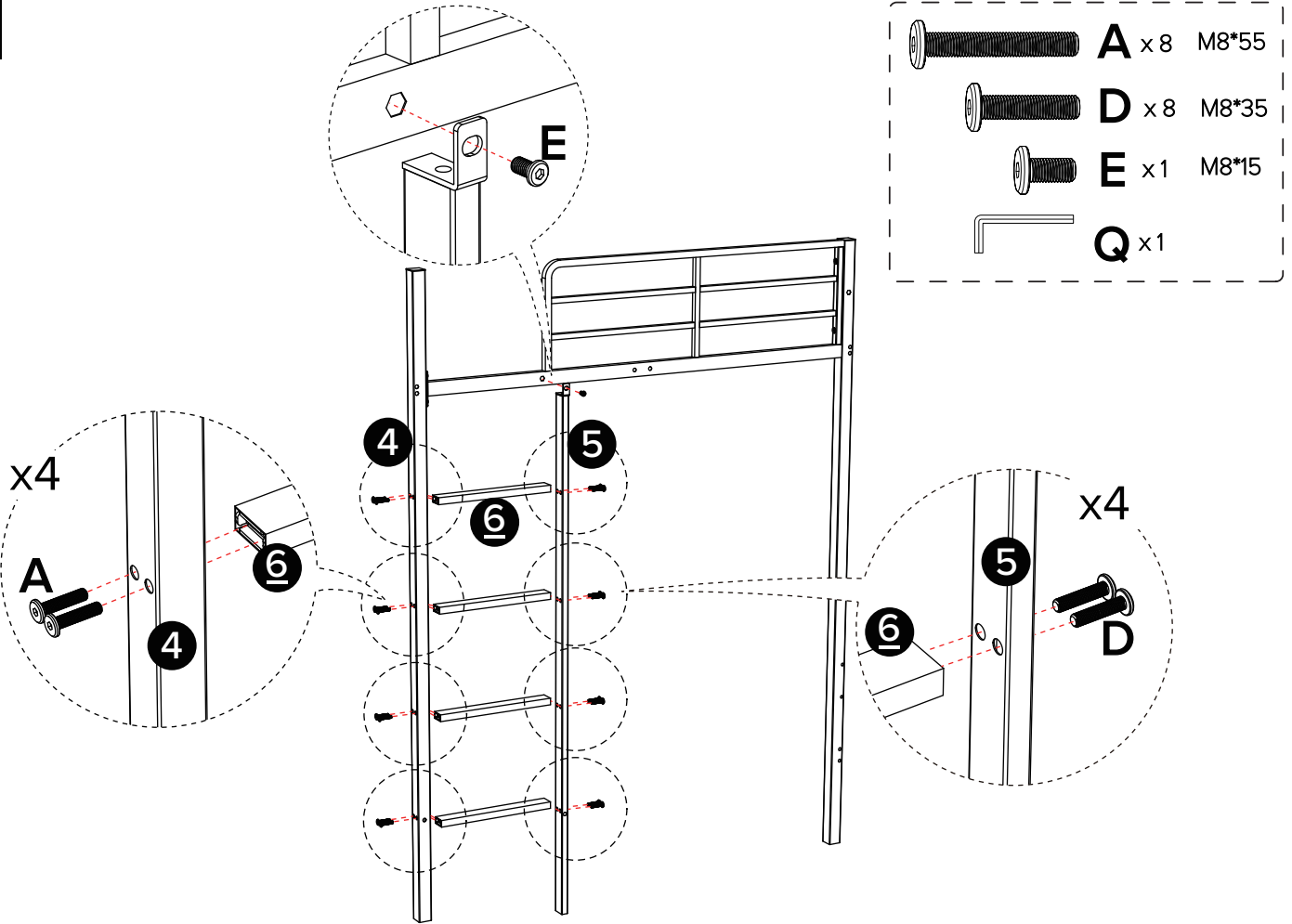


2

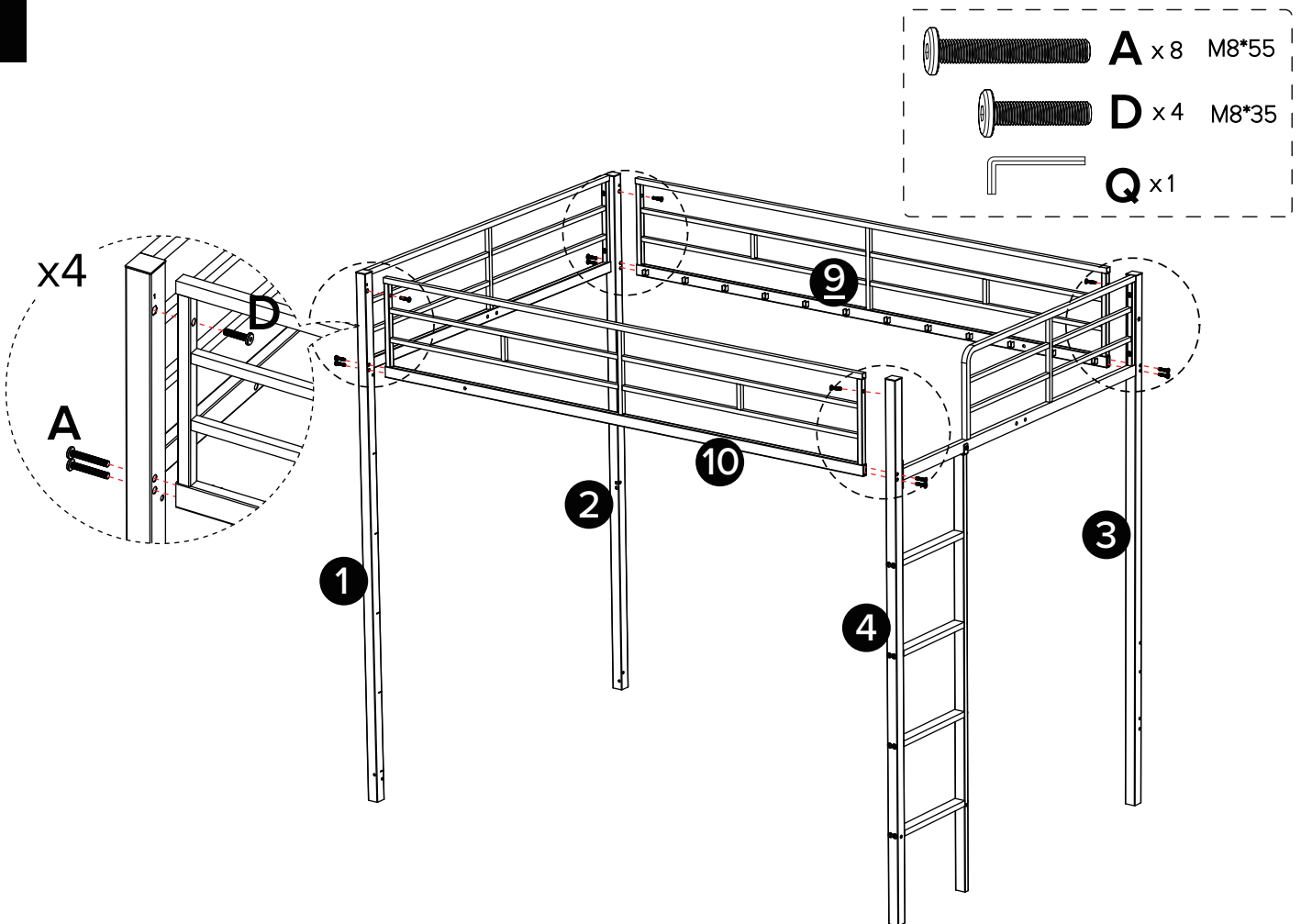


# Assembly Instruction

3

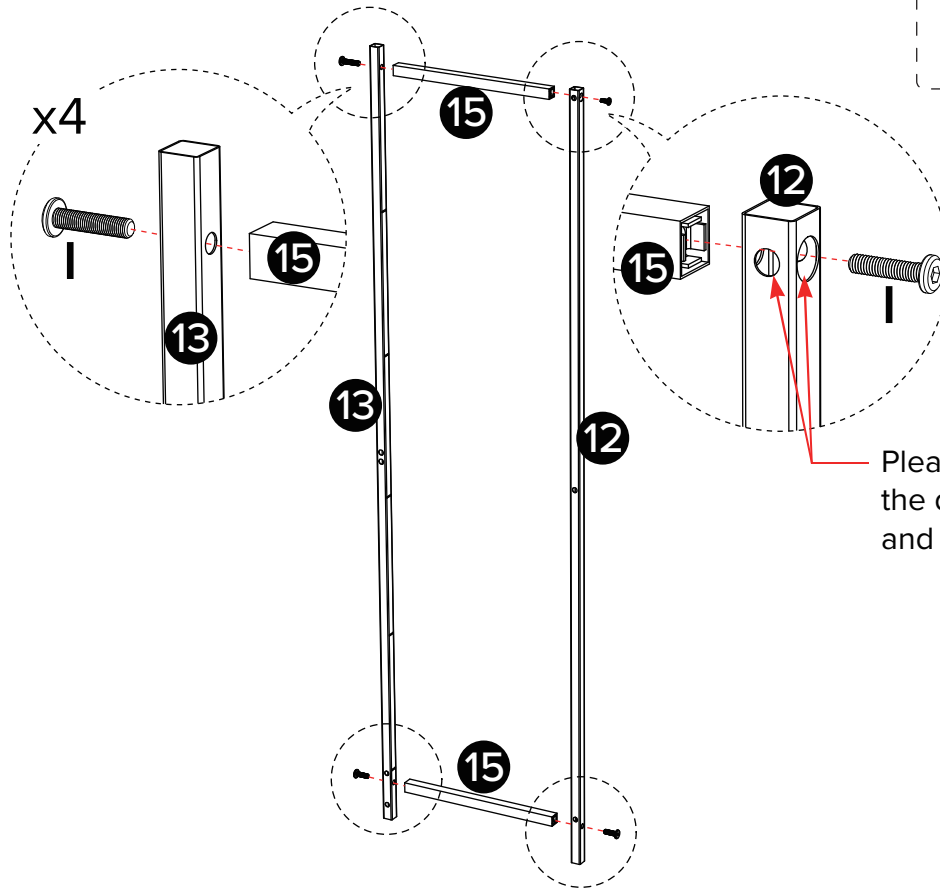


4

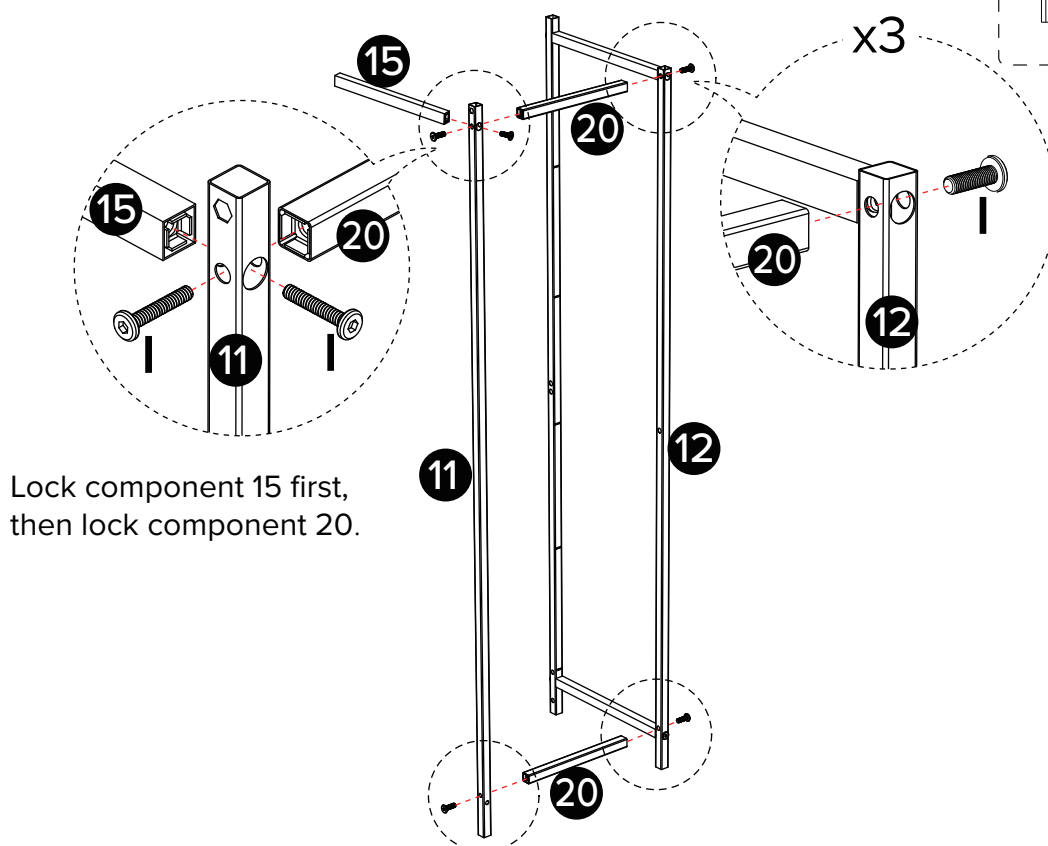


# Assembly Instruction

5

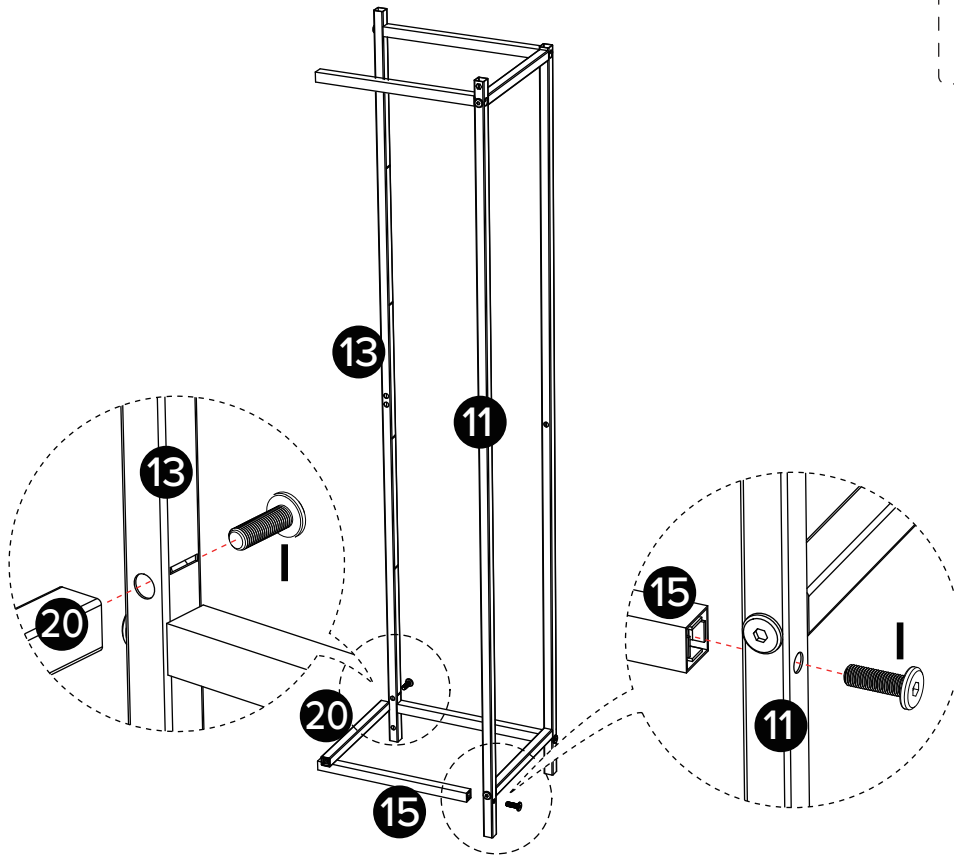




6



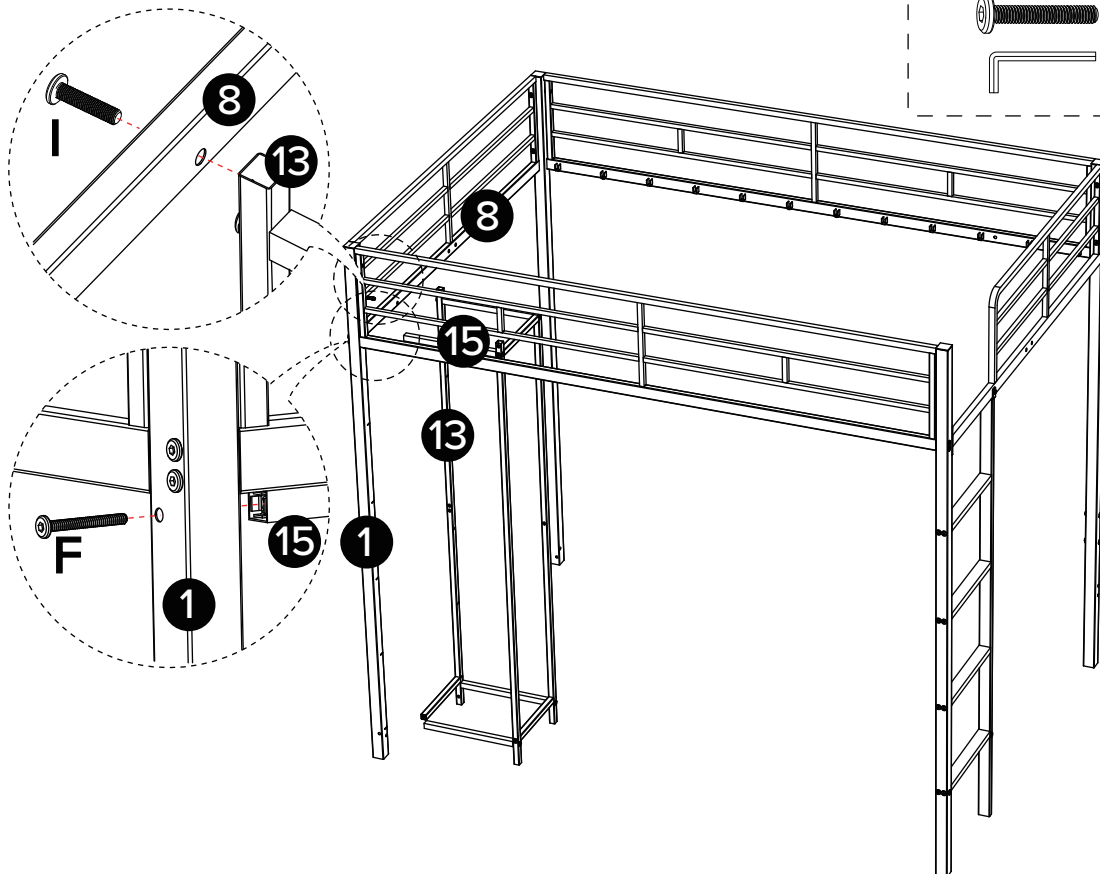
# Assembly Instruction




7



-  x2 M6\*35
-  x1

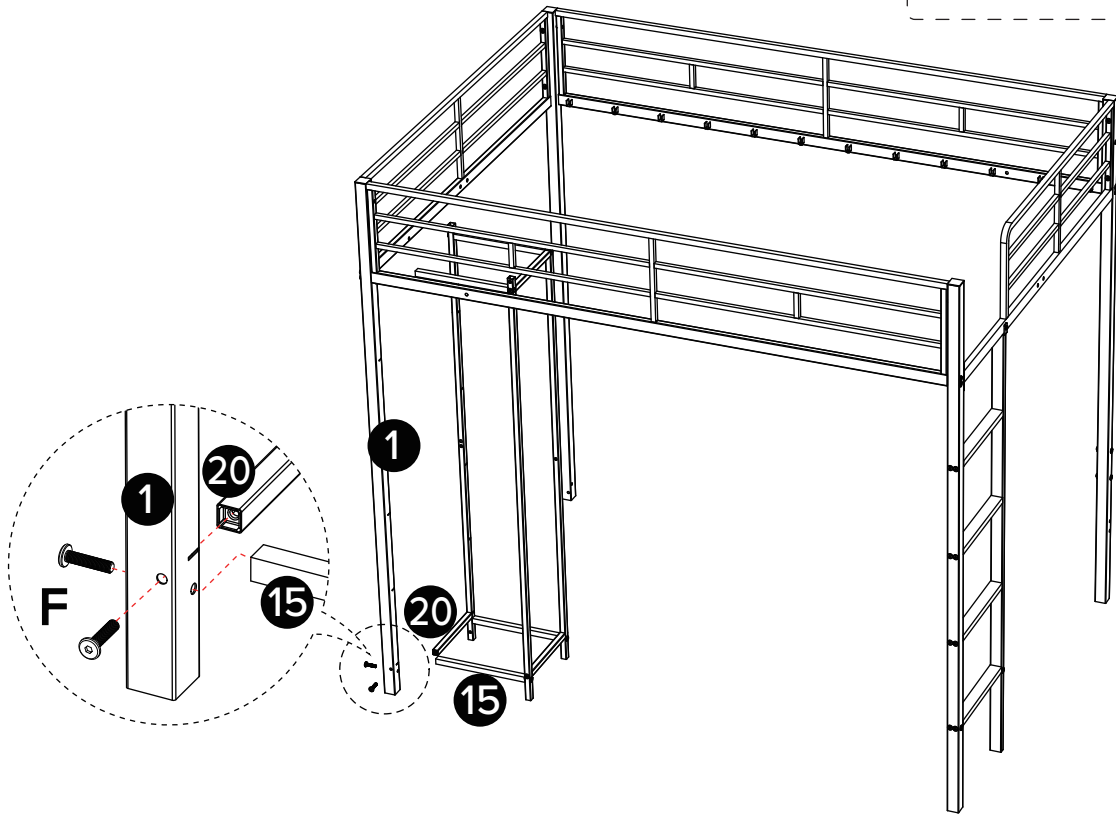
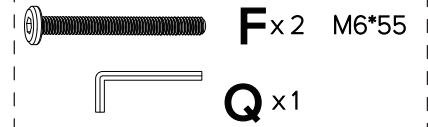
8



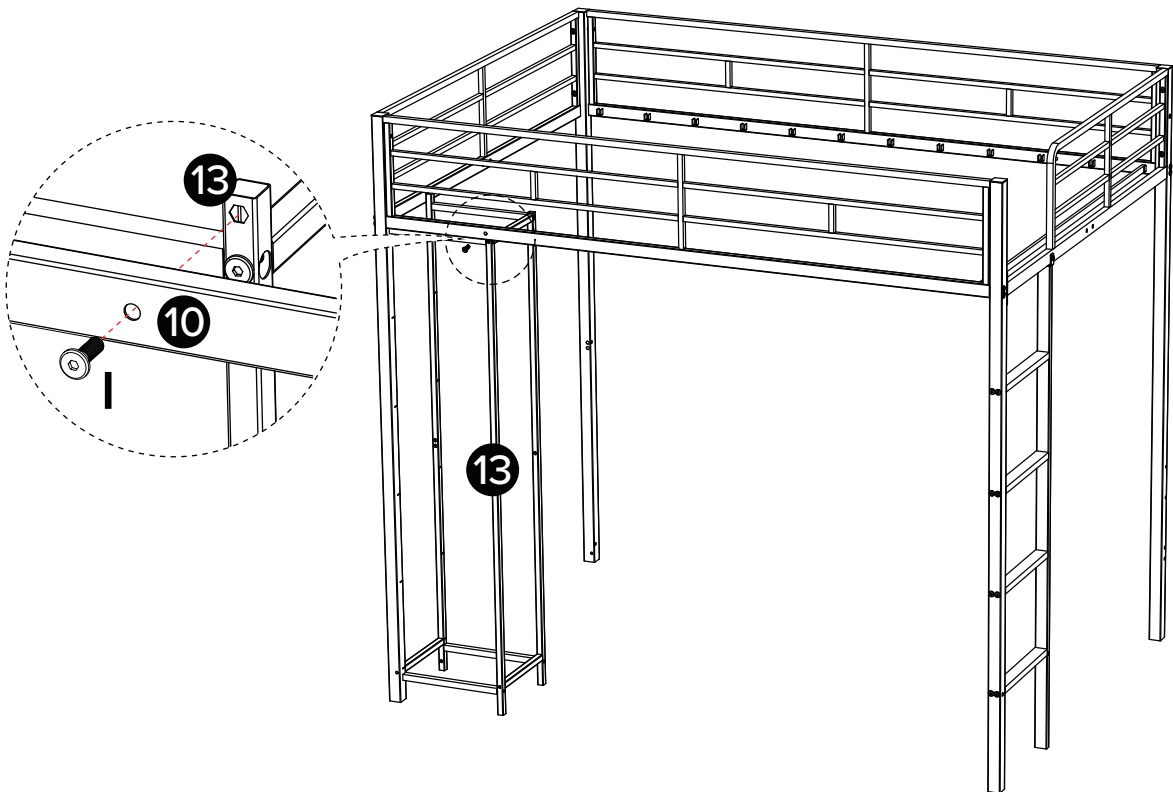
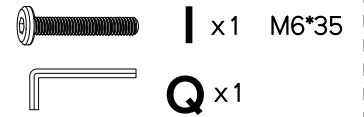
-  x1 M6\*55
-  x1 M6\*35
-  x1

# Assembly Instruction

9






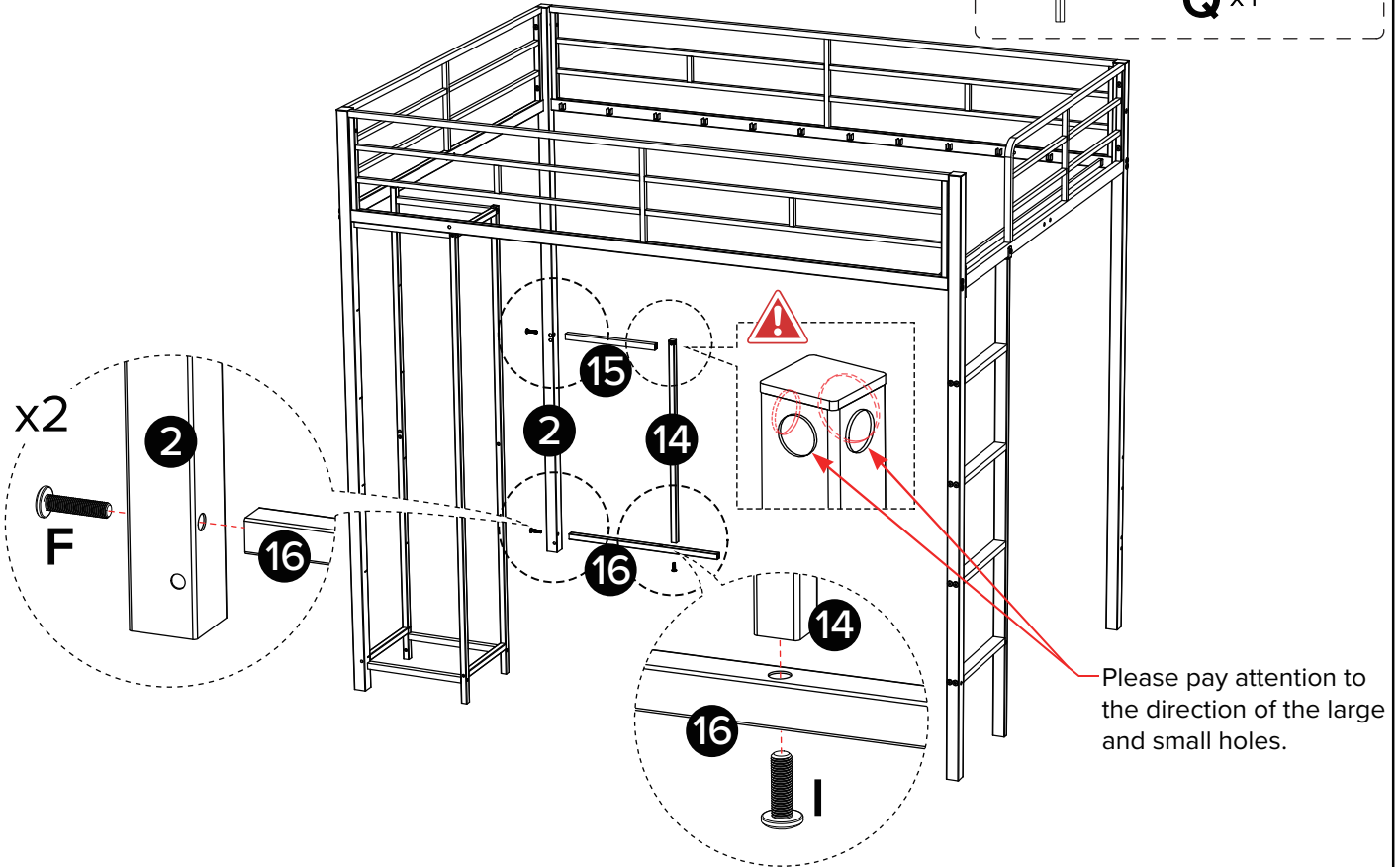
10






# Assembly Instruction

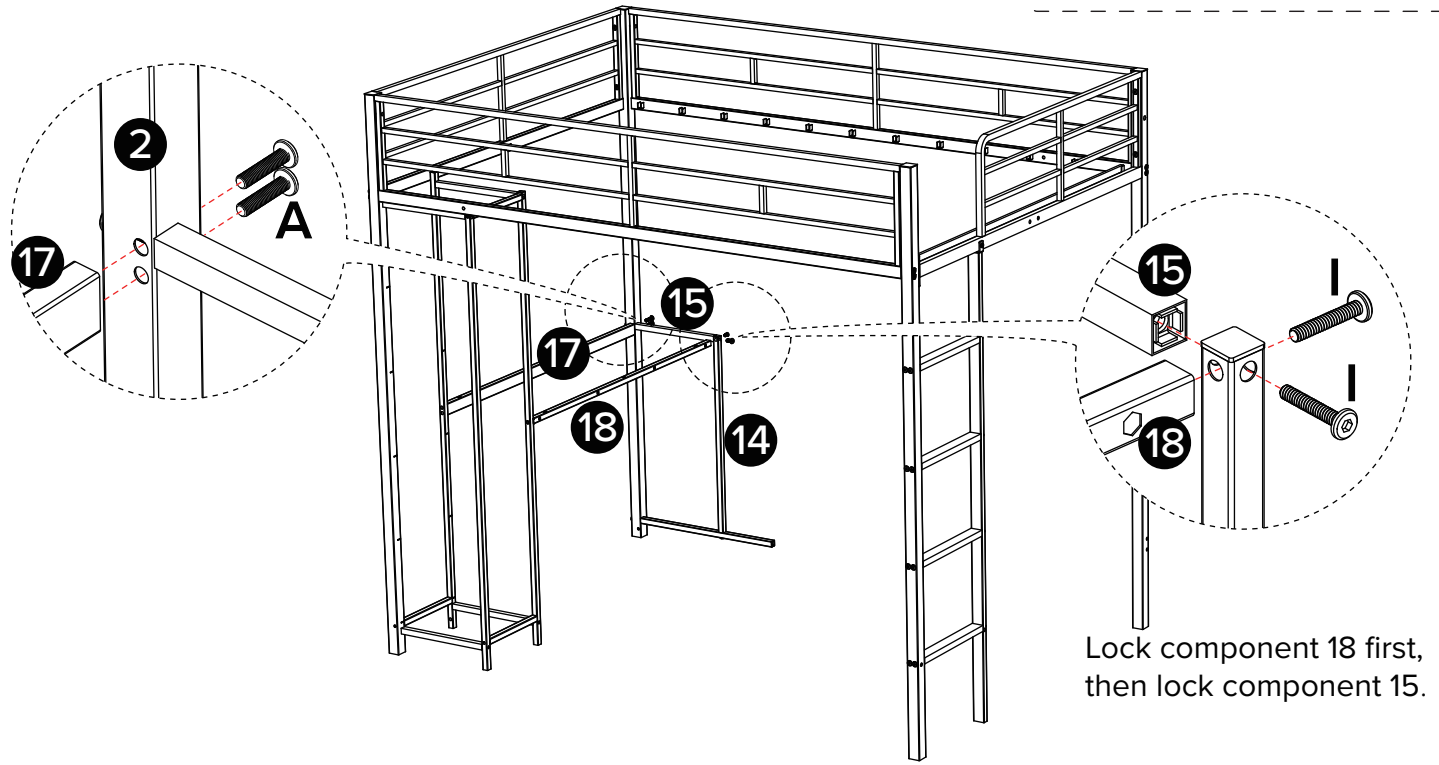
11

-  **F** x2 M6\*55
-  **I** x1 M6\*35
-  **Q** x1






12

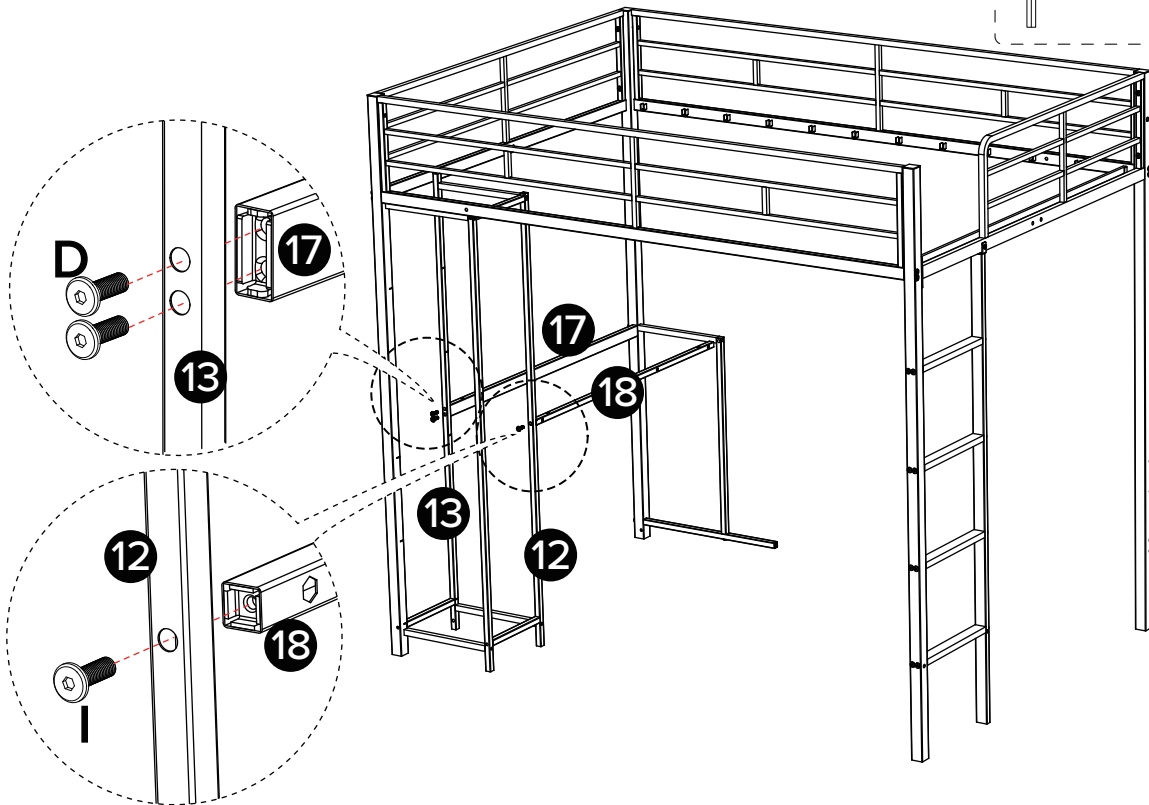
-  **A** x2 M8\*55
-  **I** x2 M6\*35
-  **Q** x1






# Assembly Instruction

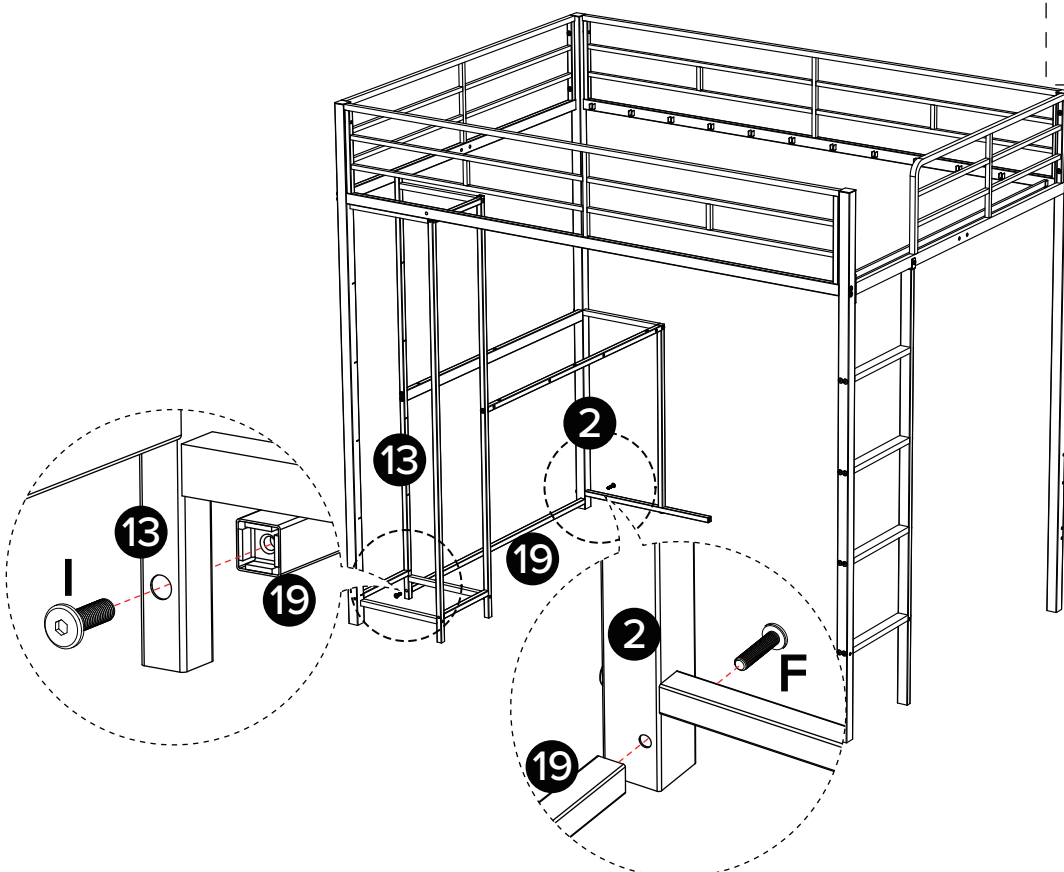
13

-  **D** x2 M8\*35
-  **I** x1 M6\*35
-  **Q** x1



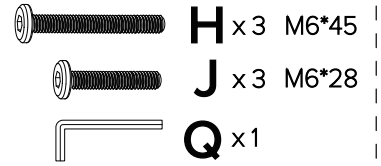
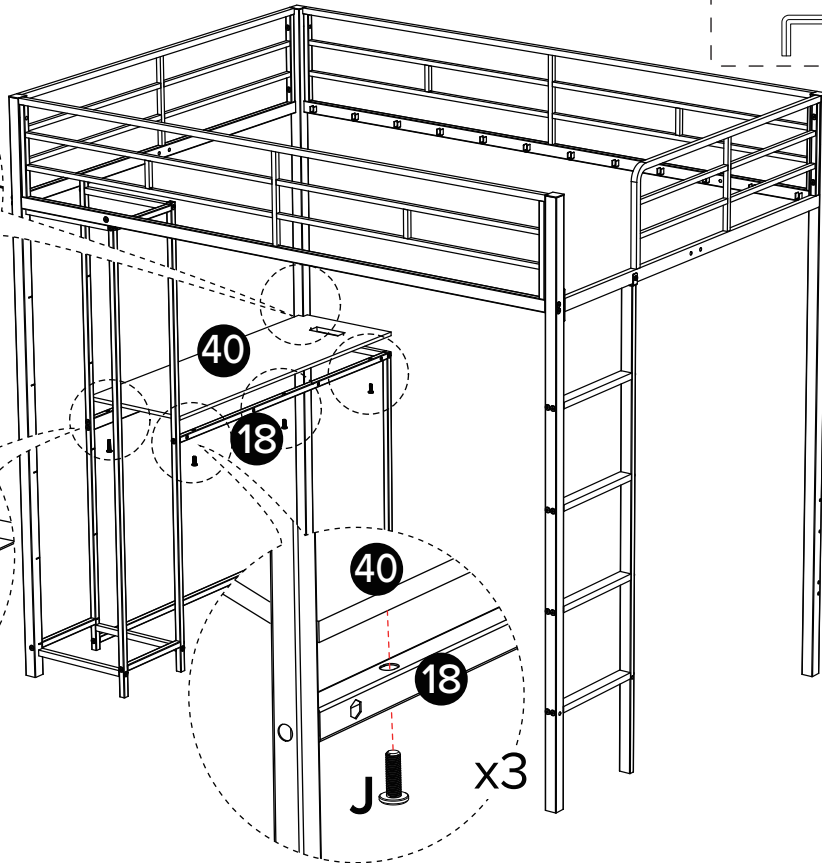
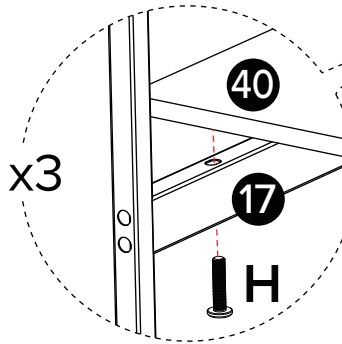
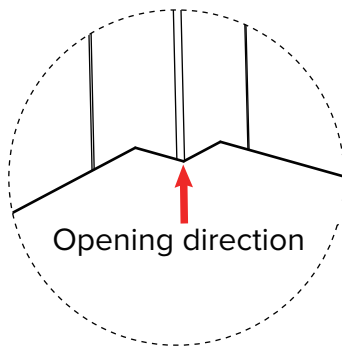
14

-  **F** x1 M6\*55
-  **I** x1 M6\*35
-  **Q** x1

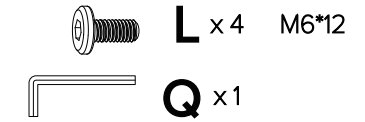
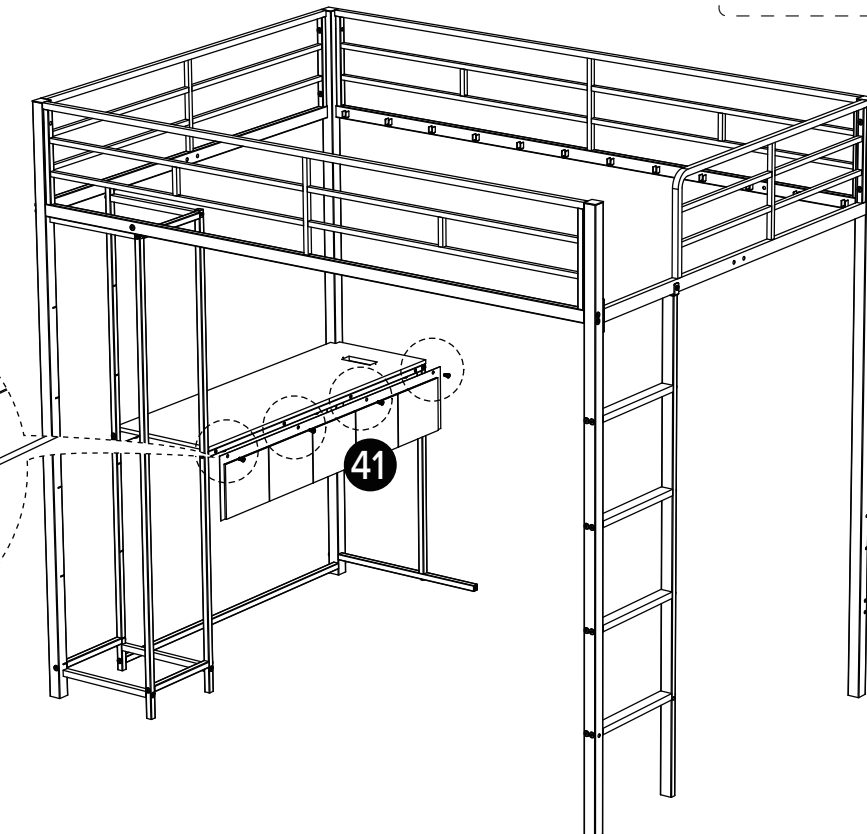
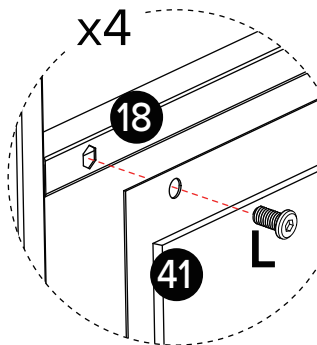


# Assembly Instruction

15

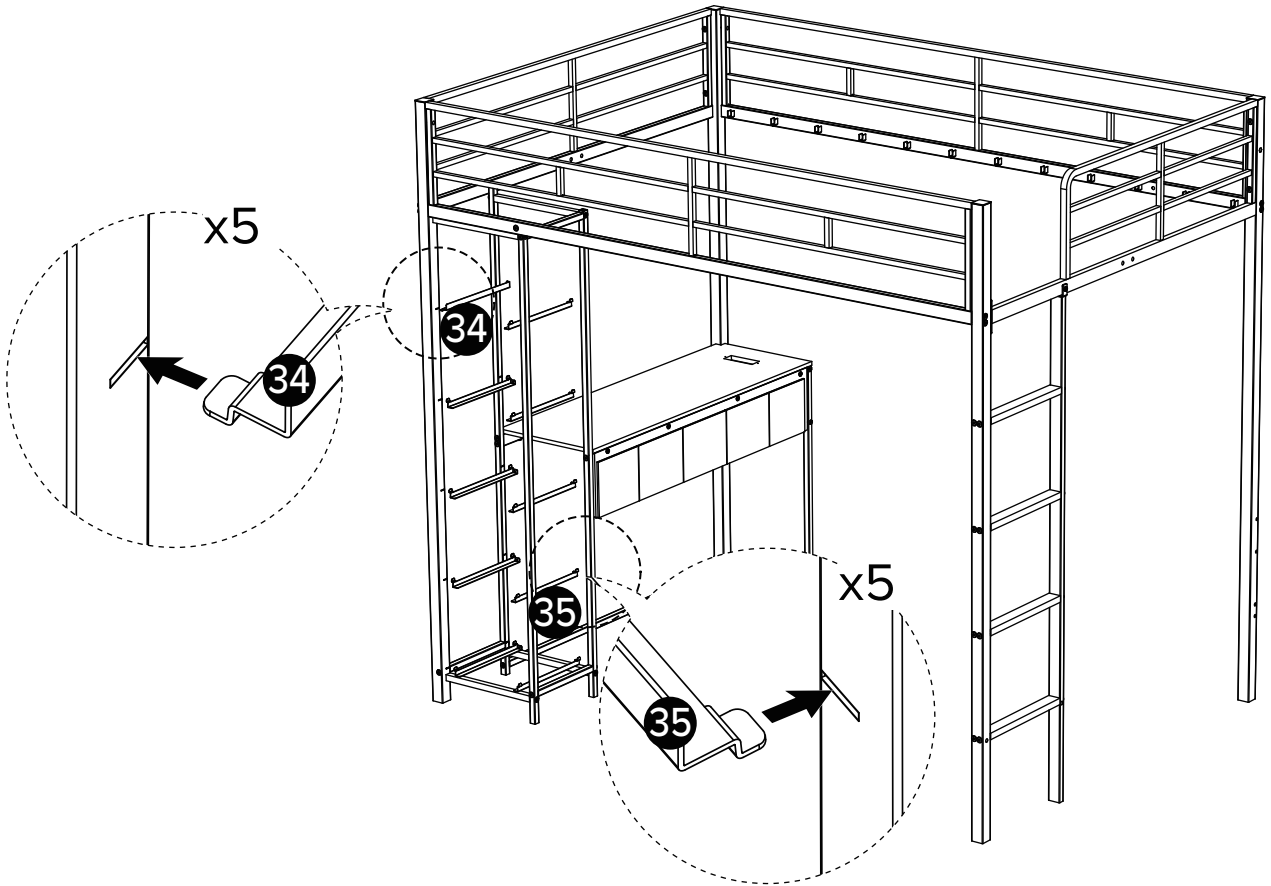


16

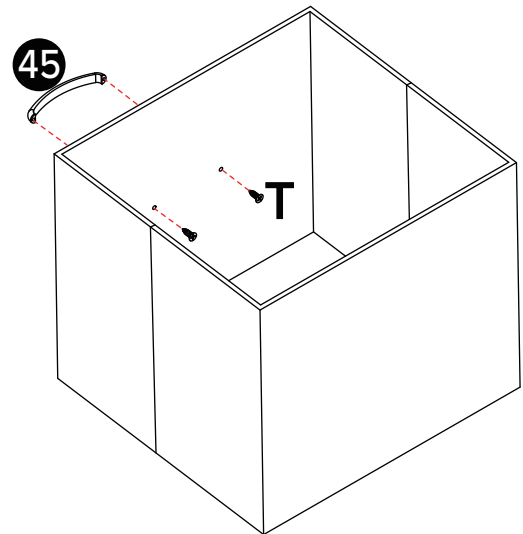
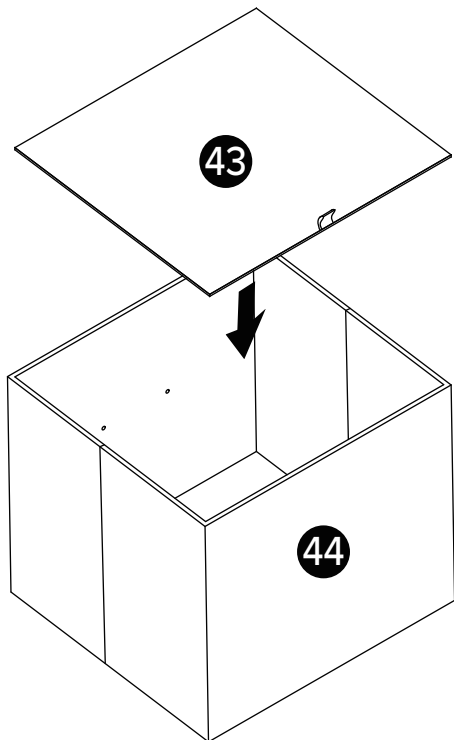
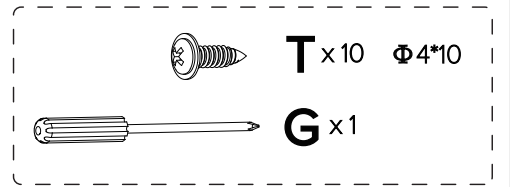


# Assembly Instruction

17



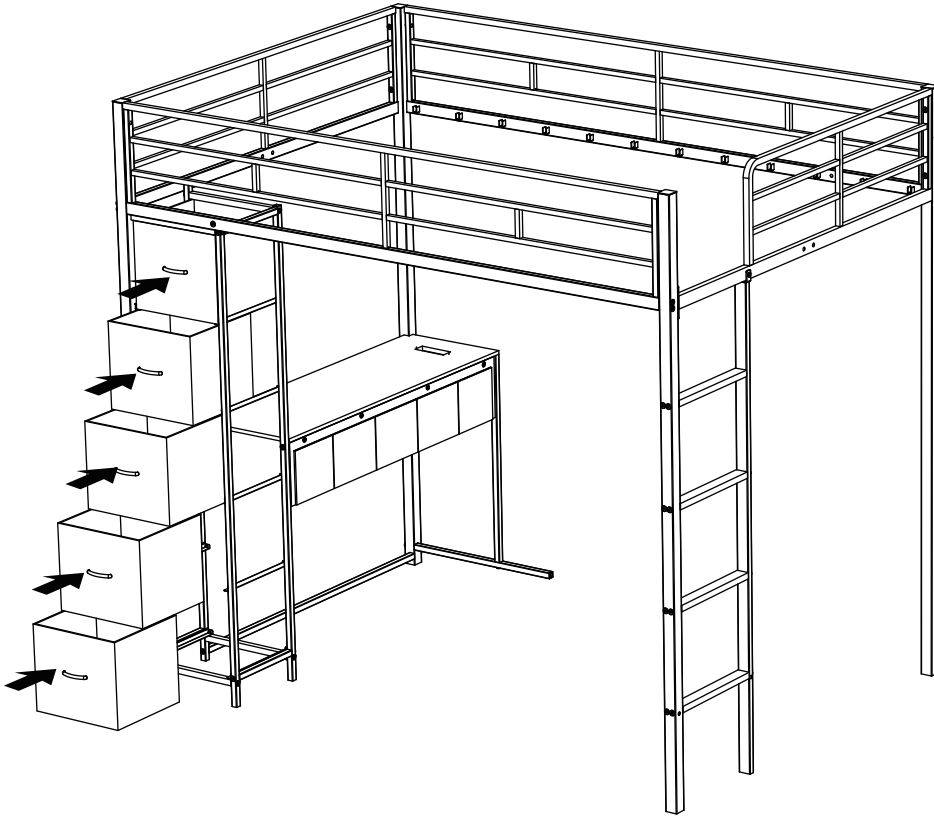
18



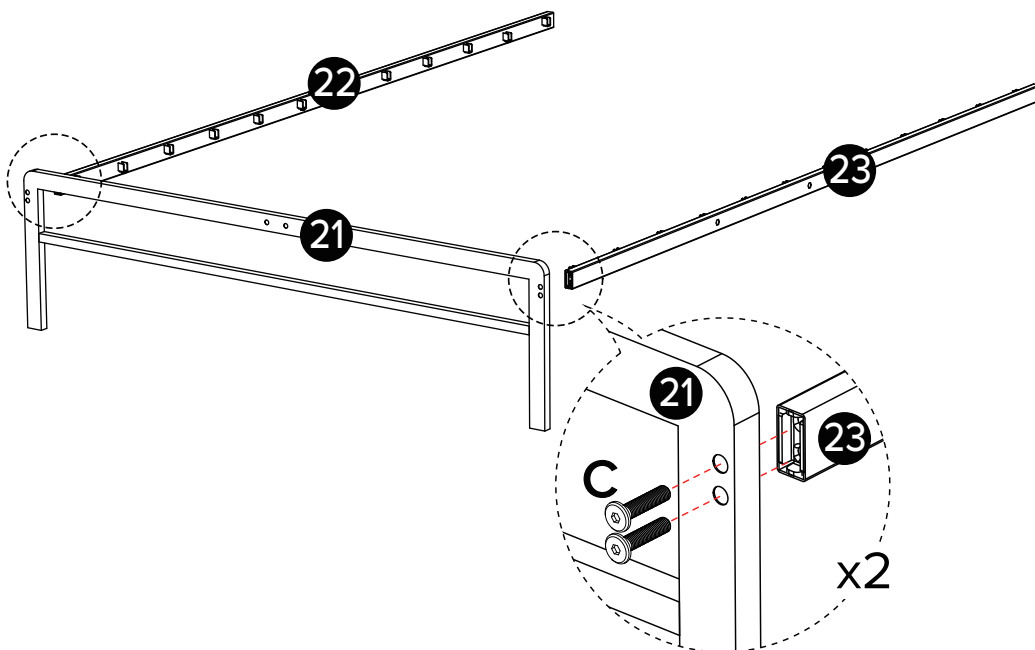
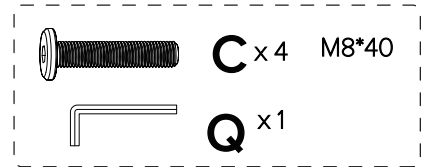
x5

# Assembly Instruction

19

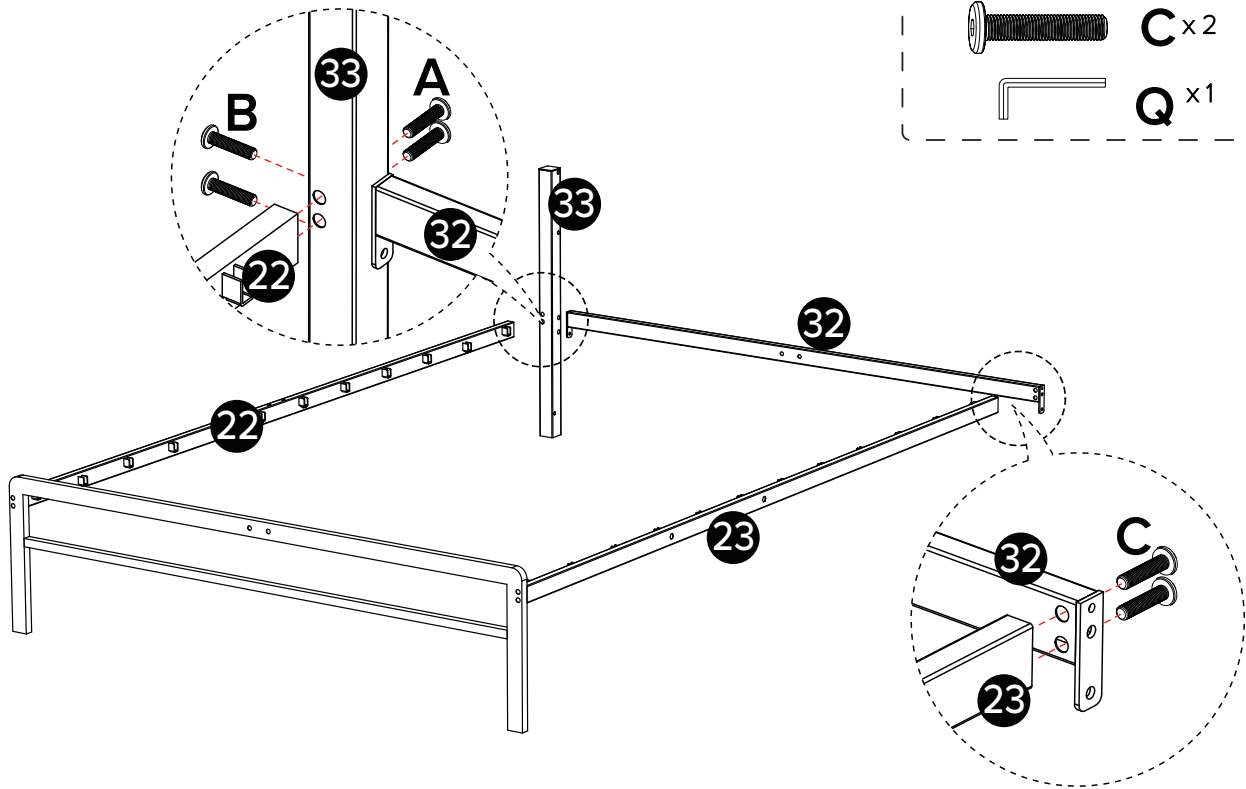


20

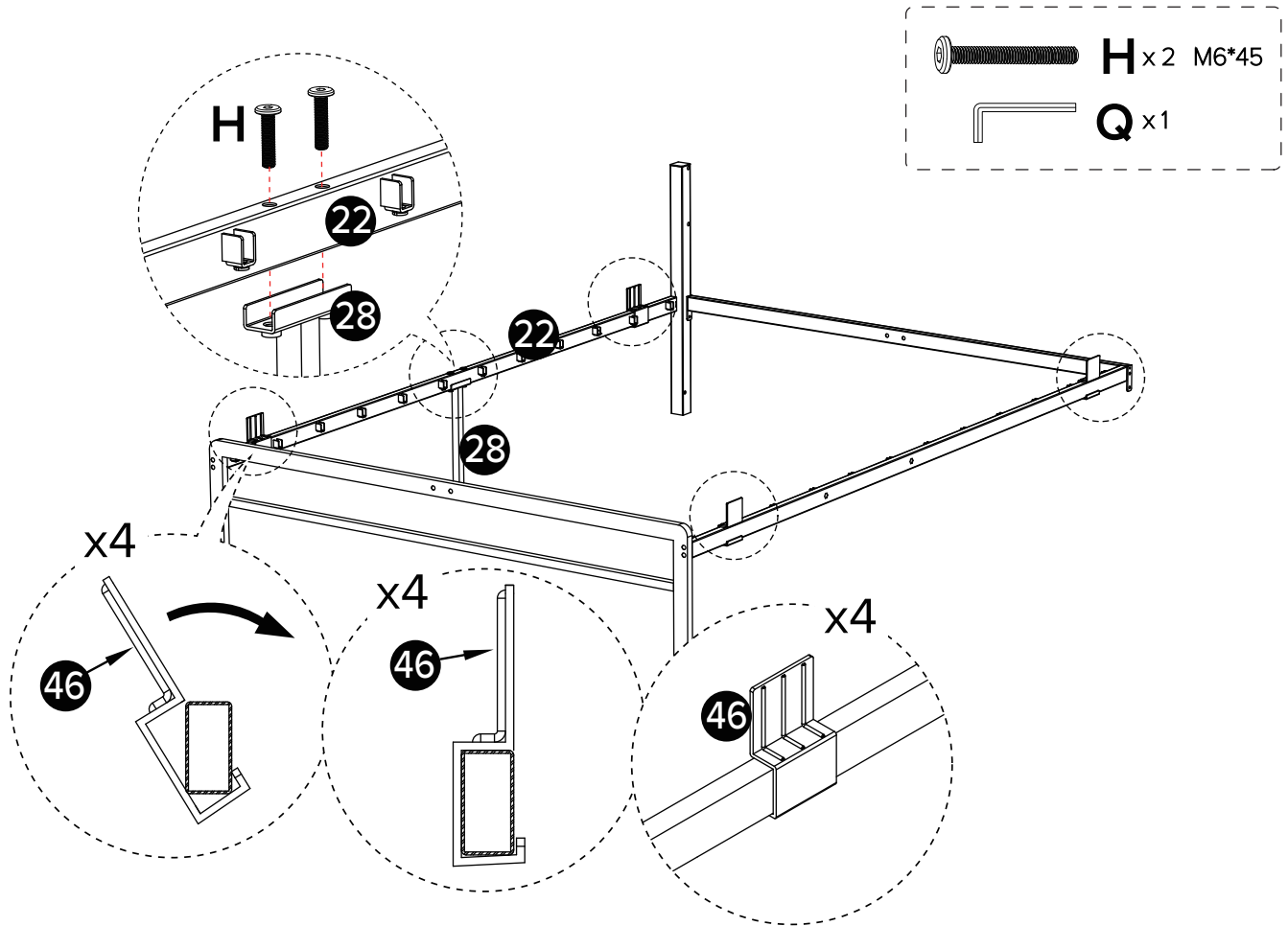


# Assembly Instruction

21

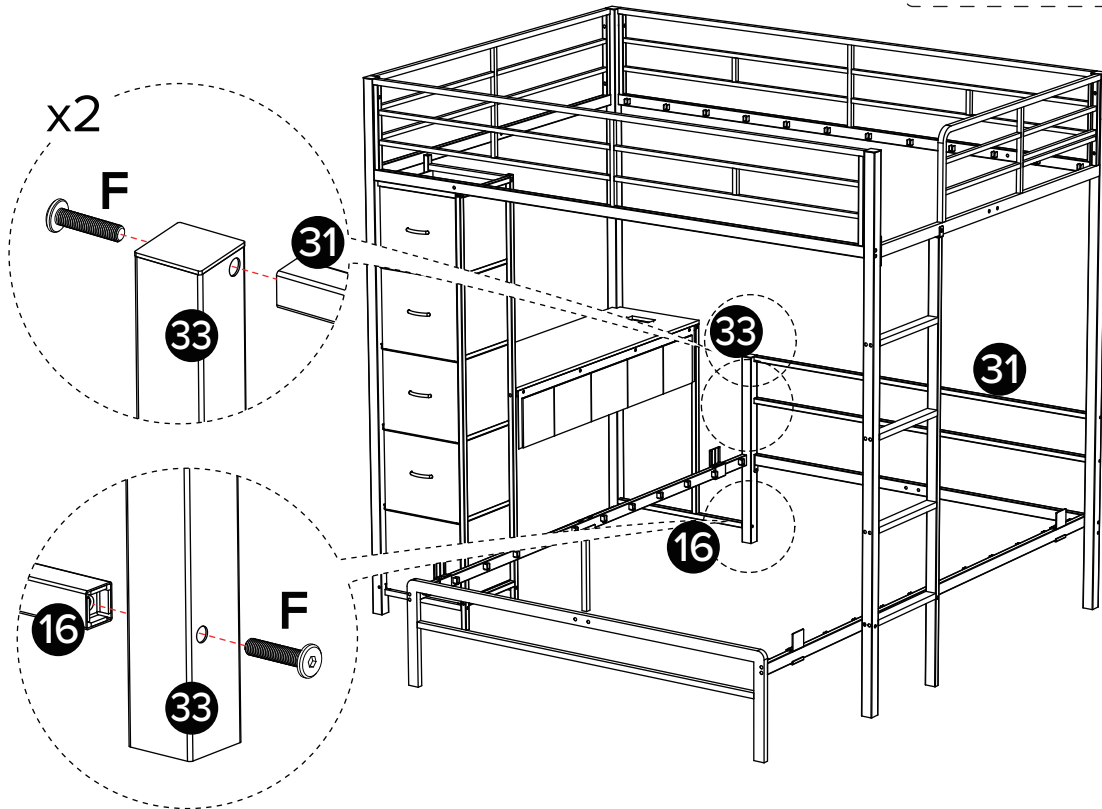




22



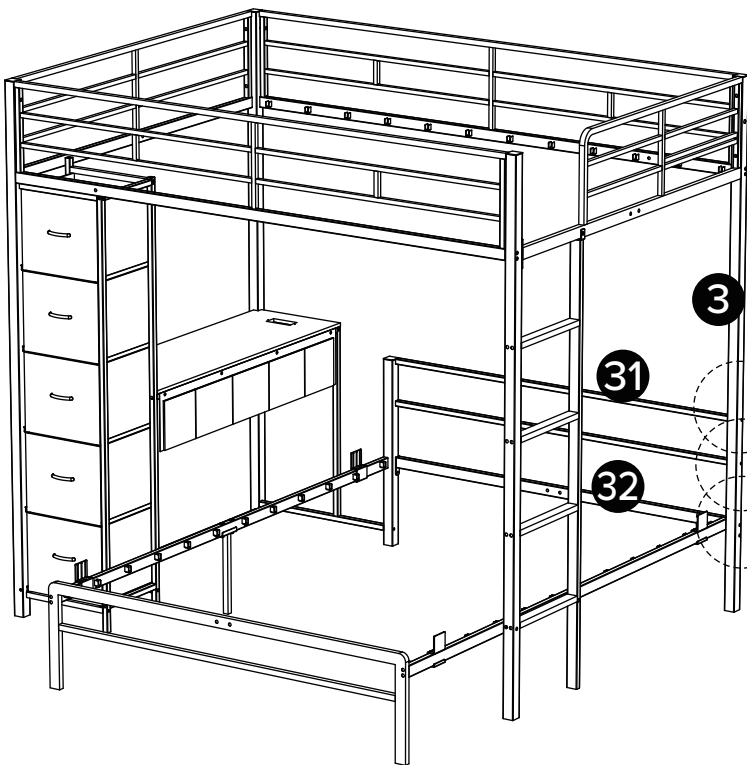
# Assembly Instruction





23



-  **F** x3 M6\*55
-  **Q** x1

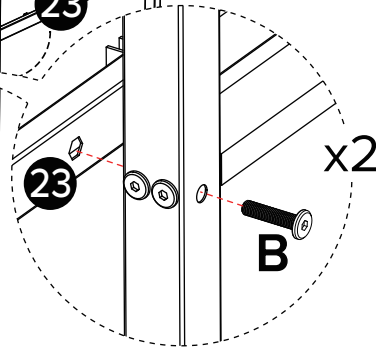
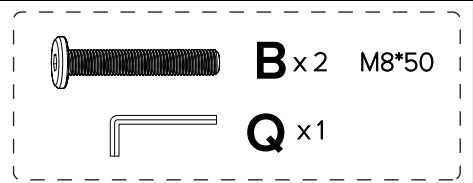
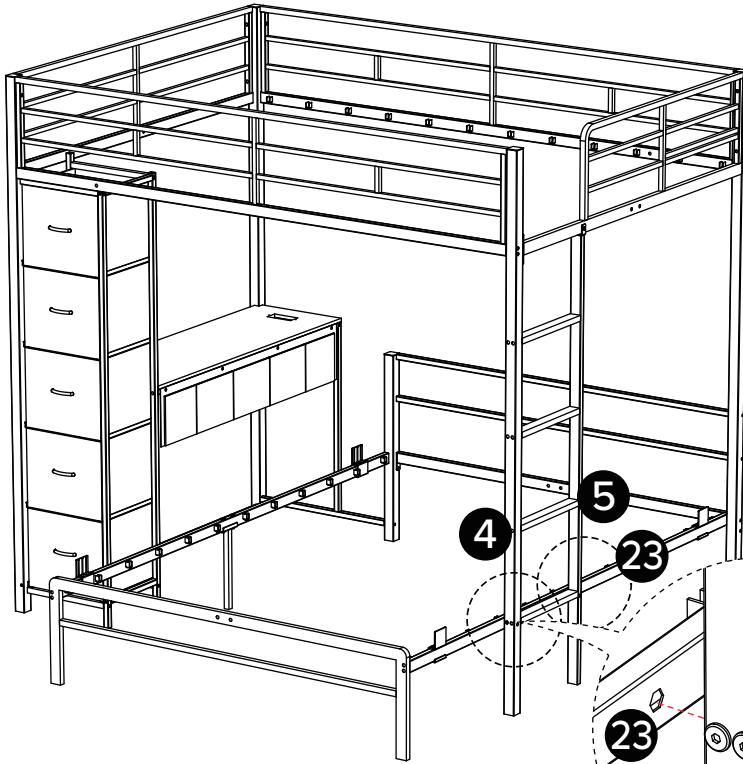
24



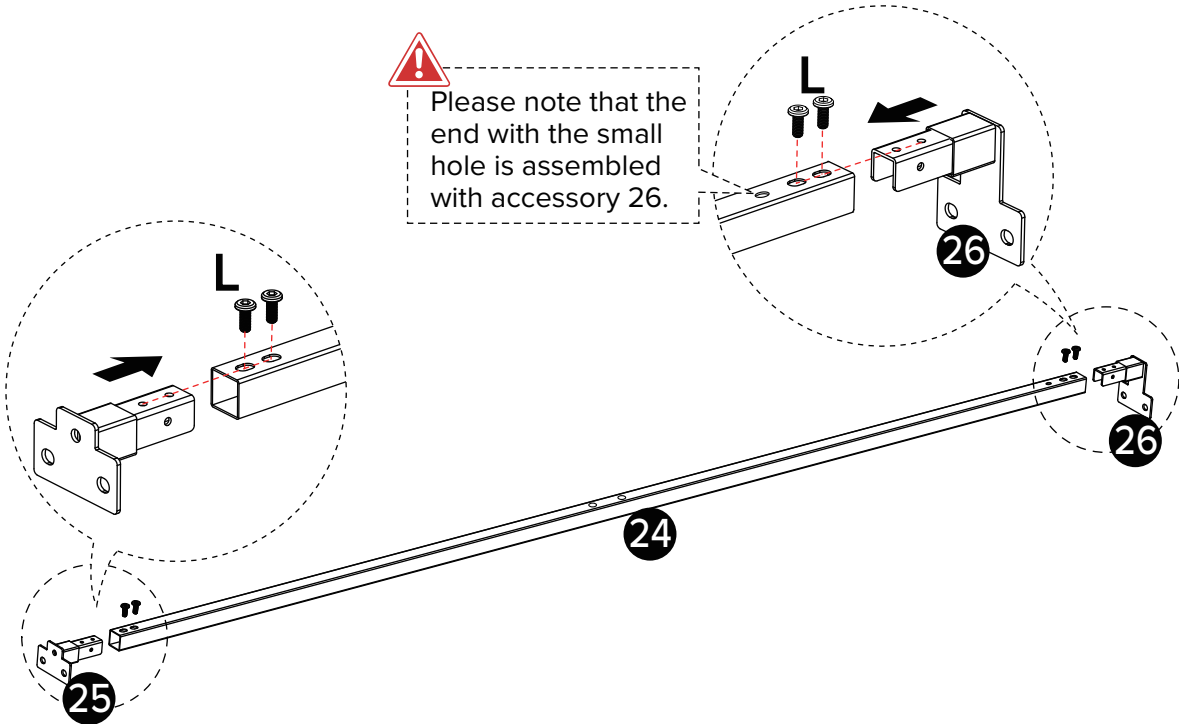
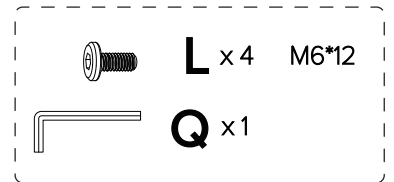
-  **B** x2 M8\*50
-  **F** x2 M6\*55
-  **L** x2 M6\*12
-  **Q** x1

# Assembly Instruction

25

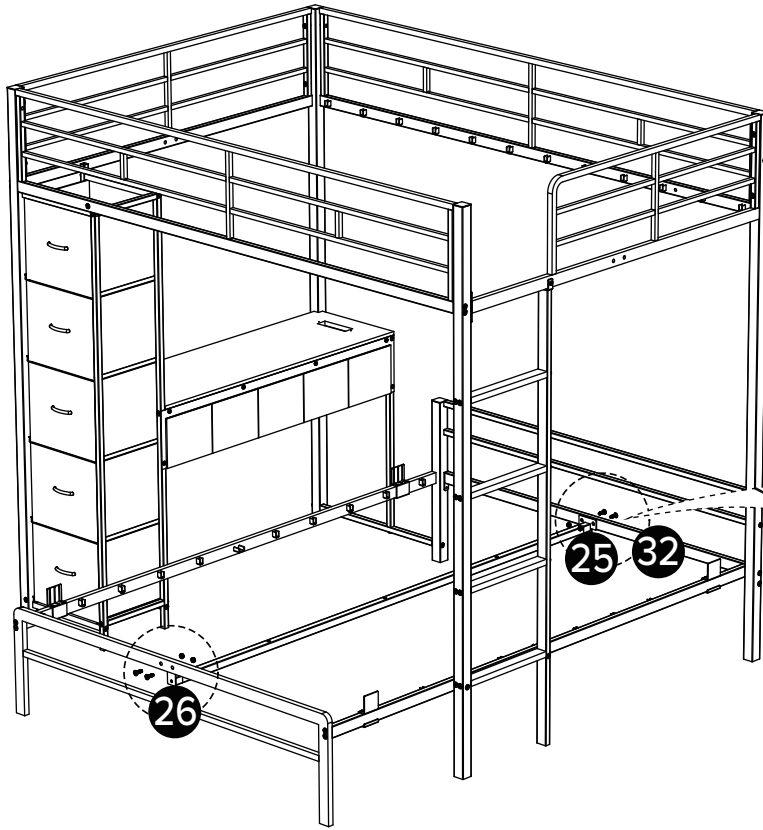




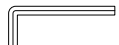
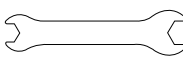
26

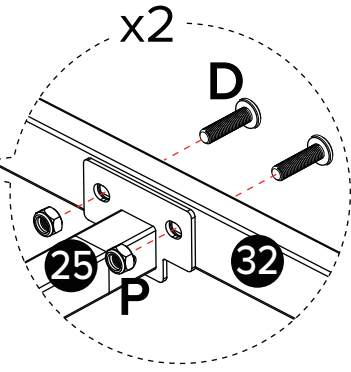


# Assembly Instruction

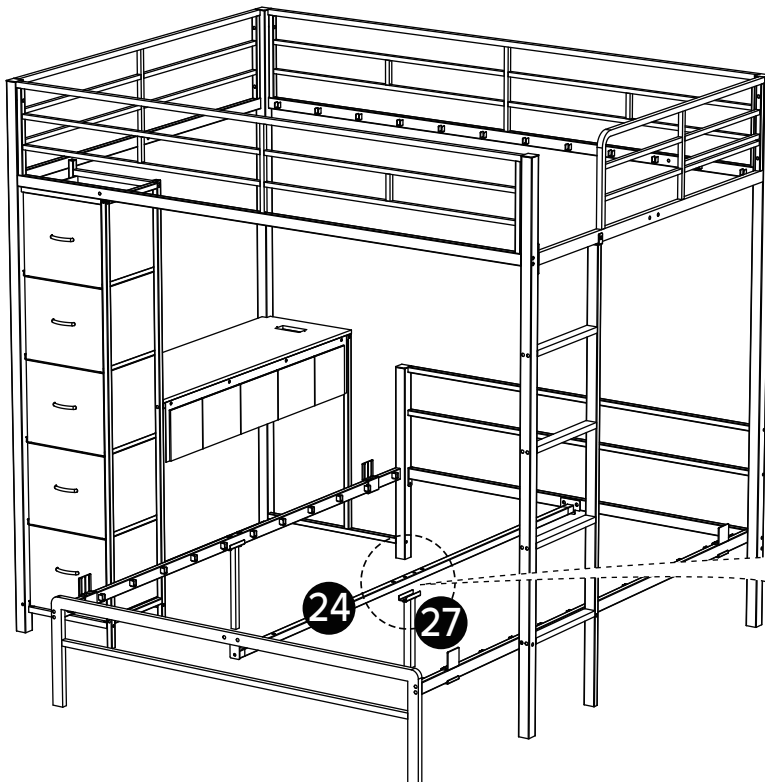
27





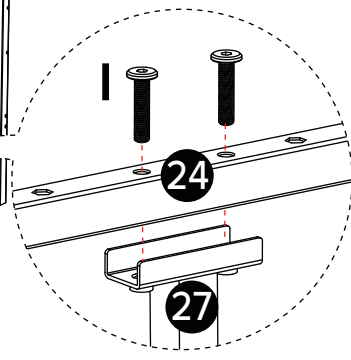
-  **D** x4 M8\*35
-  **P** x4
-  **Q** x1
-  **K** x1



28

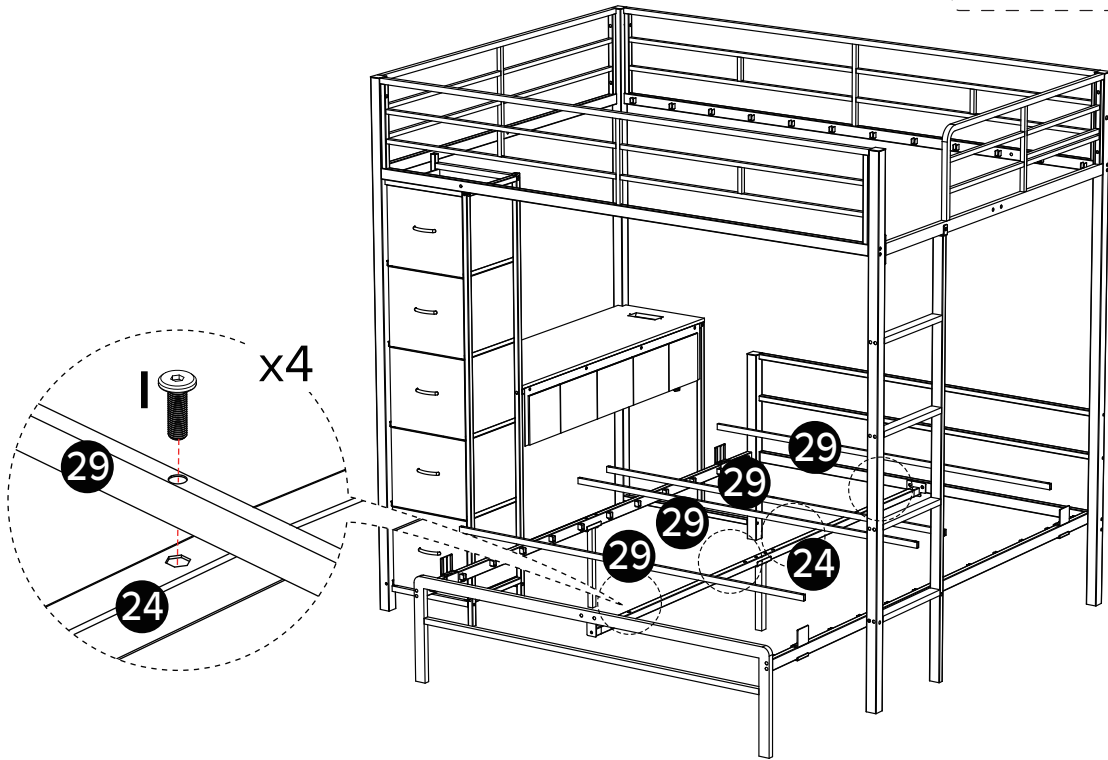
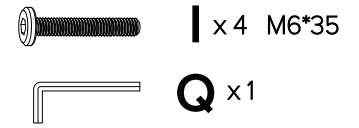


-  **I** x2 M6\*35
-  **Q** x1

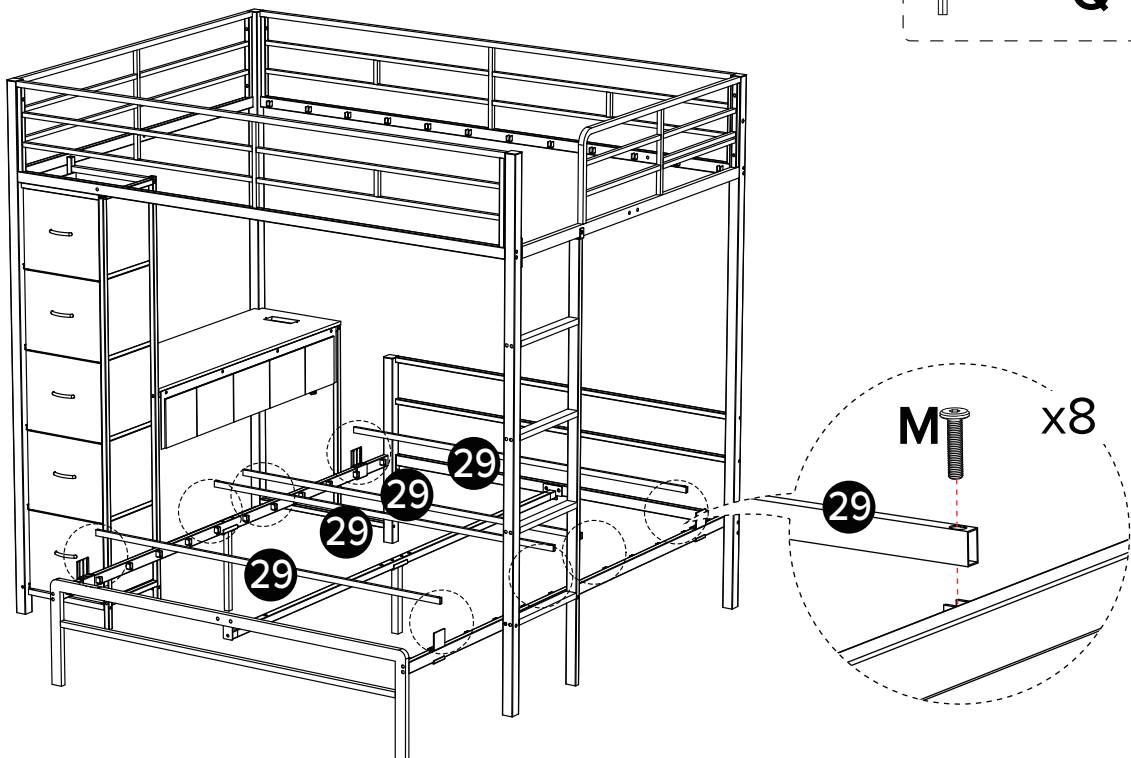
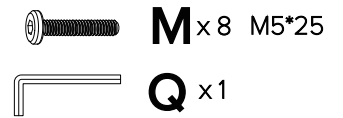


# Assembly Instruction

29

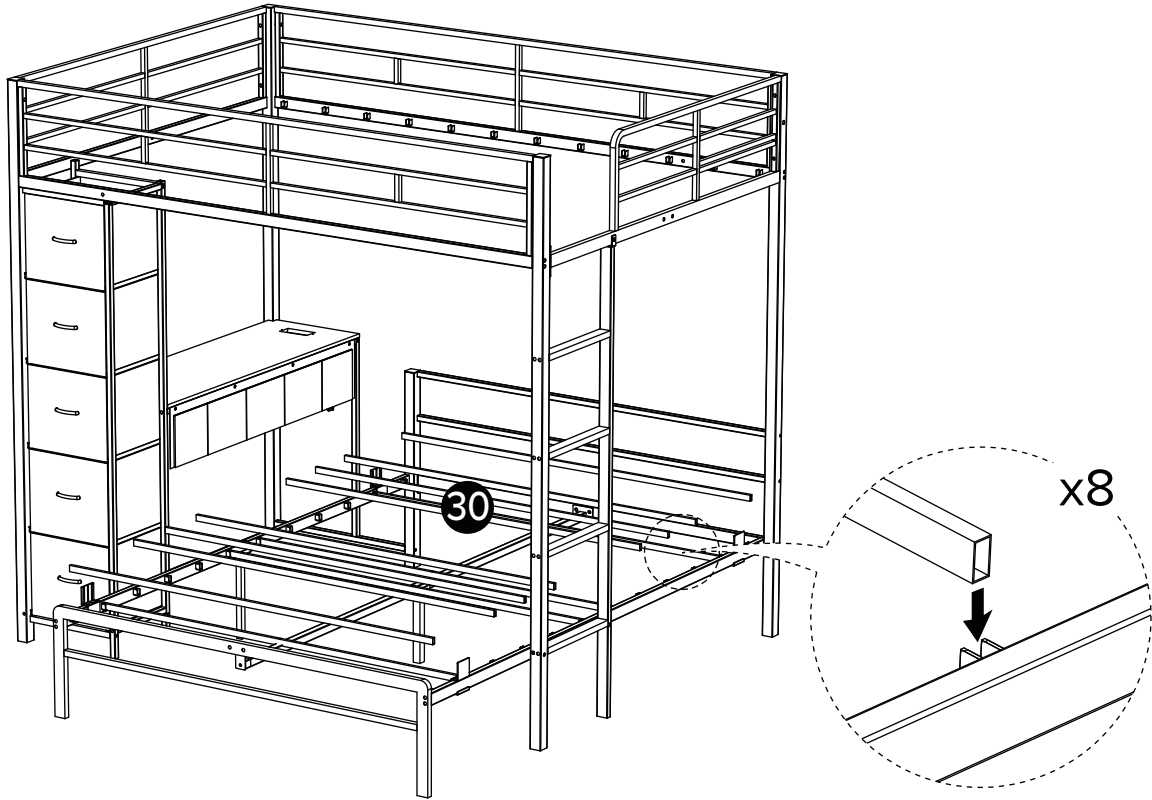


30

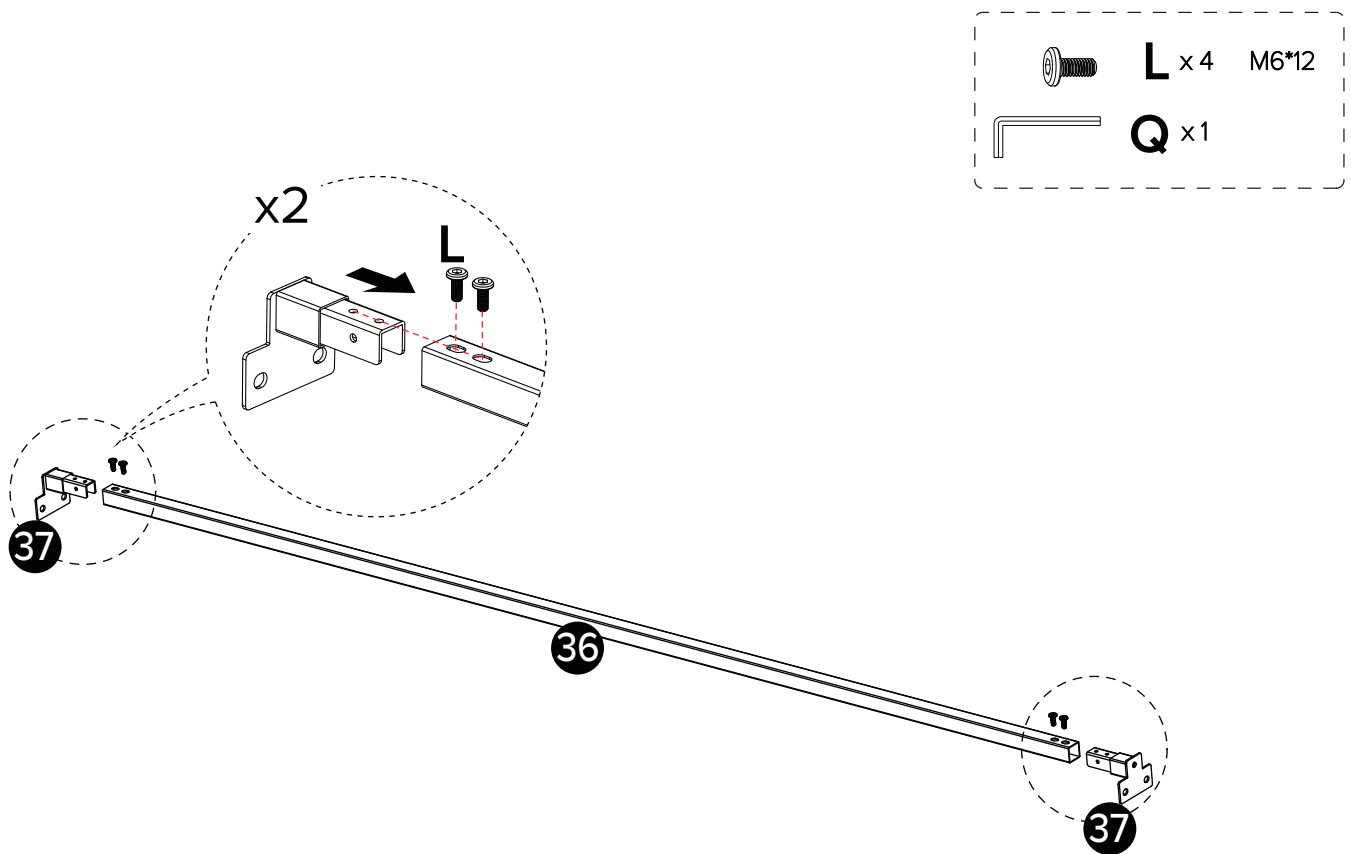


# Assembly Instruction

31

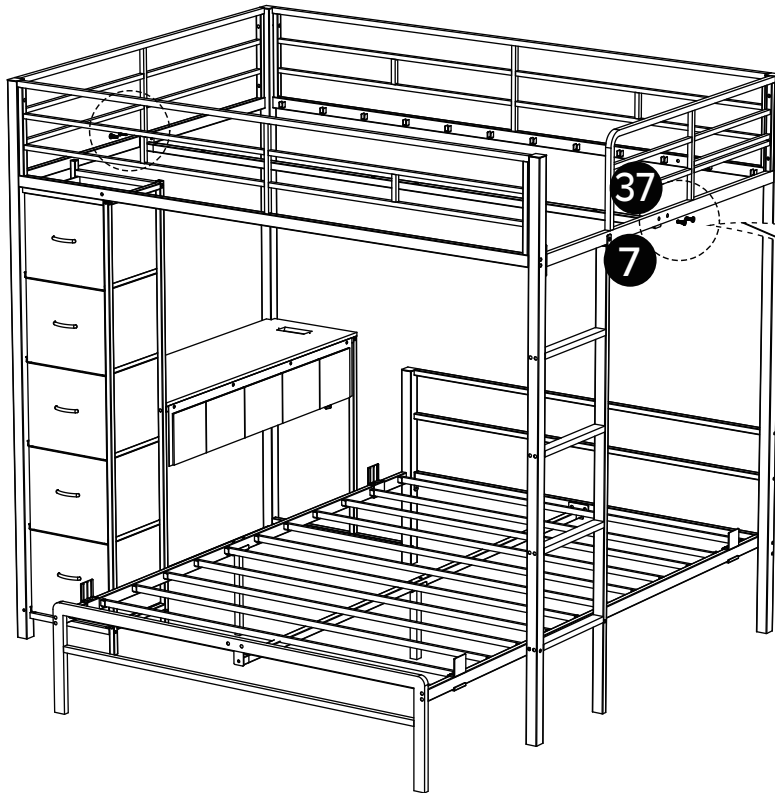





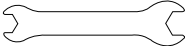
32

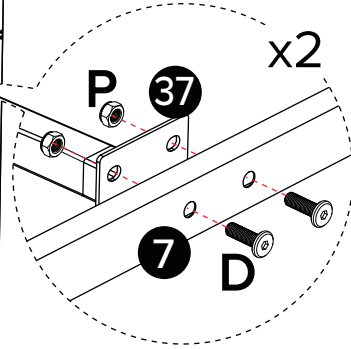


# Assembly Instruction

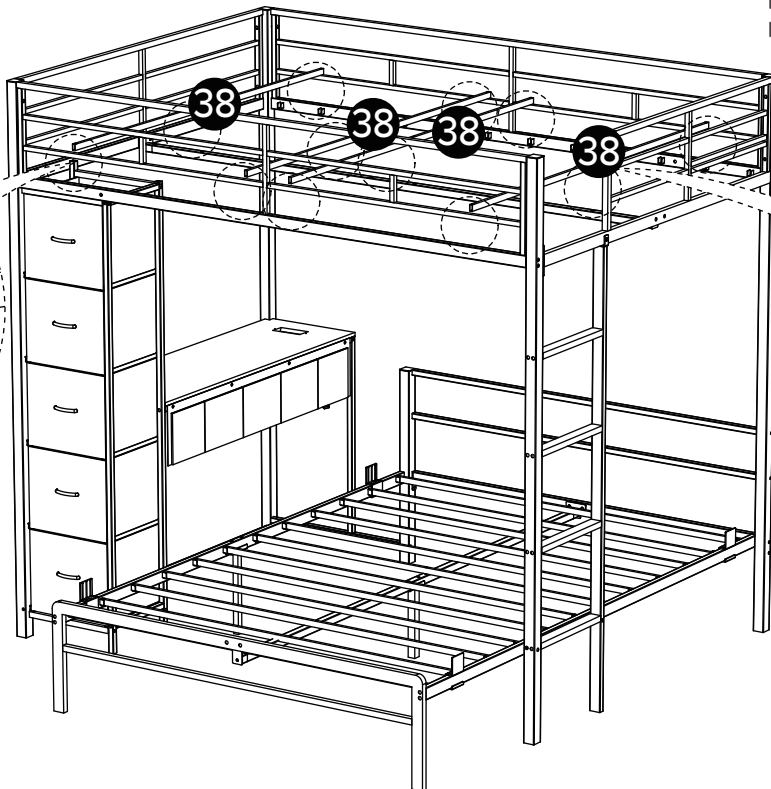
33






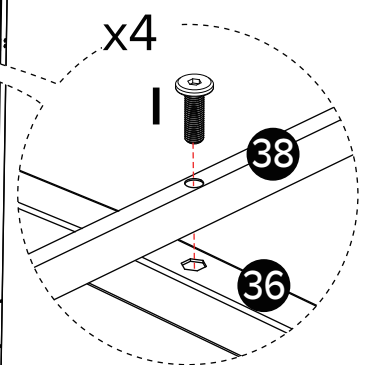
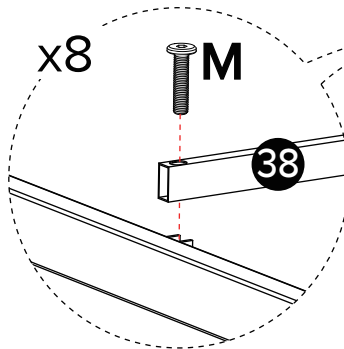
-  **D** x4 M8\*35
-  **P** x4
-  **Q** x1
-  **K** x1



34

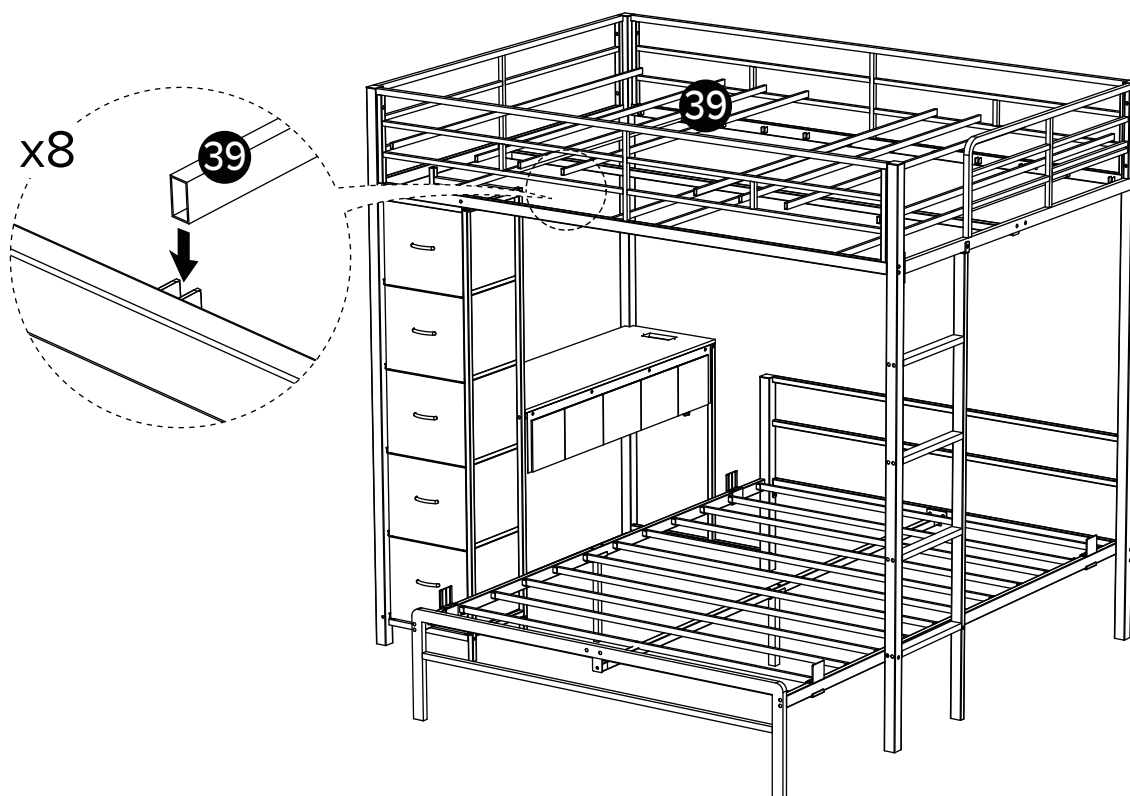


-  **I** x4 M6\*35
-  **M** x8 M5\*25
-  **Q** x1

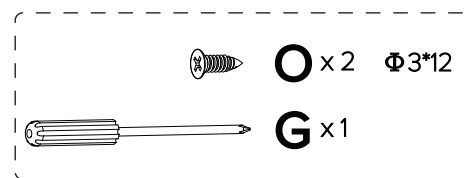
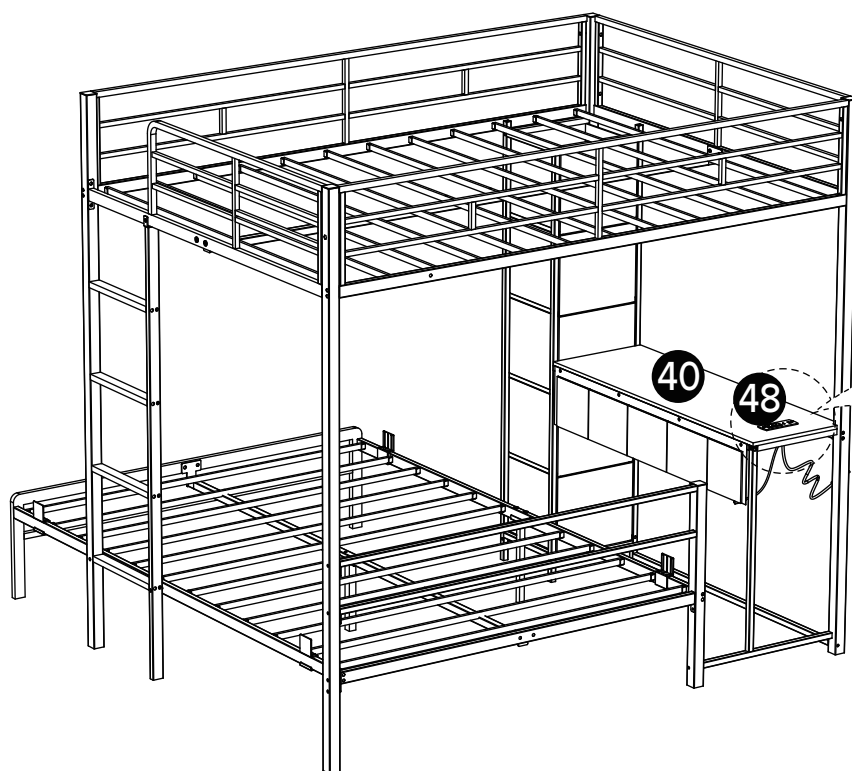


# Assembly Instruction

35

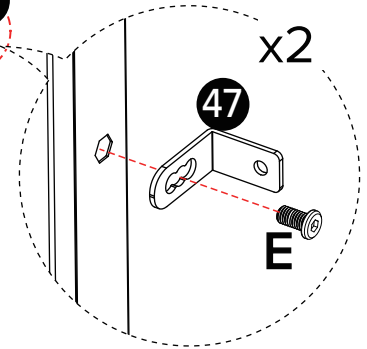
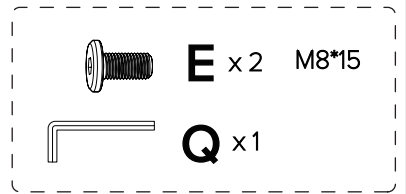
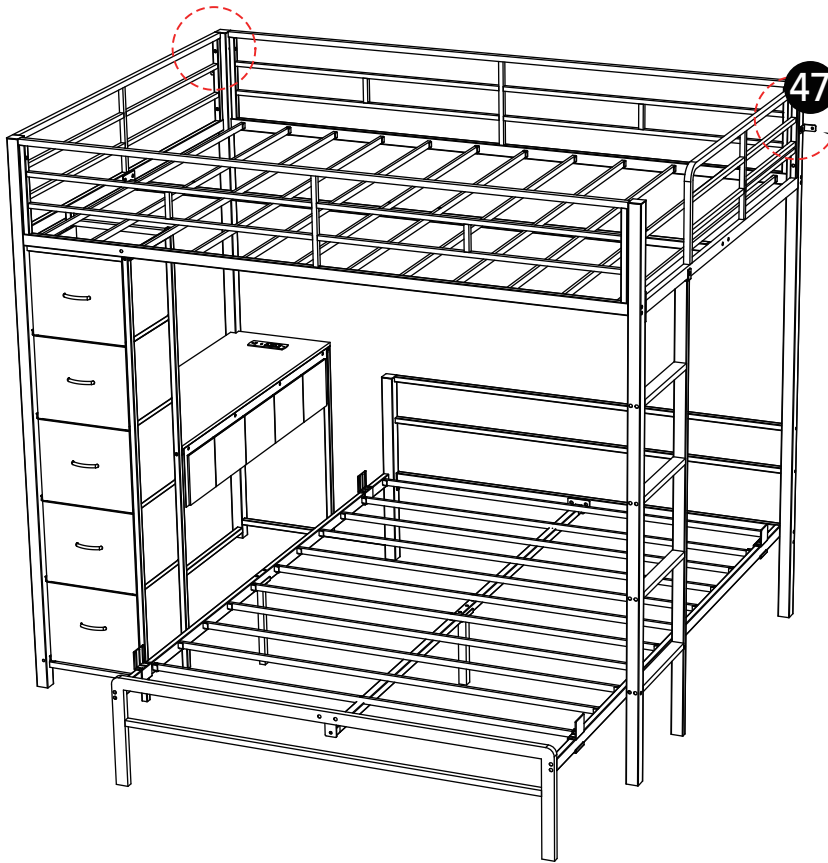


36

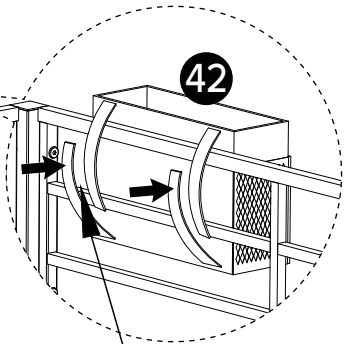
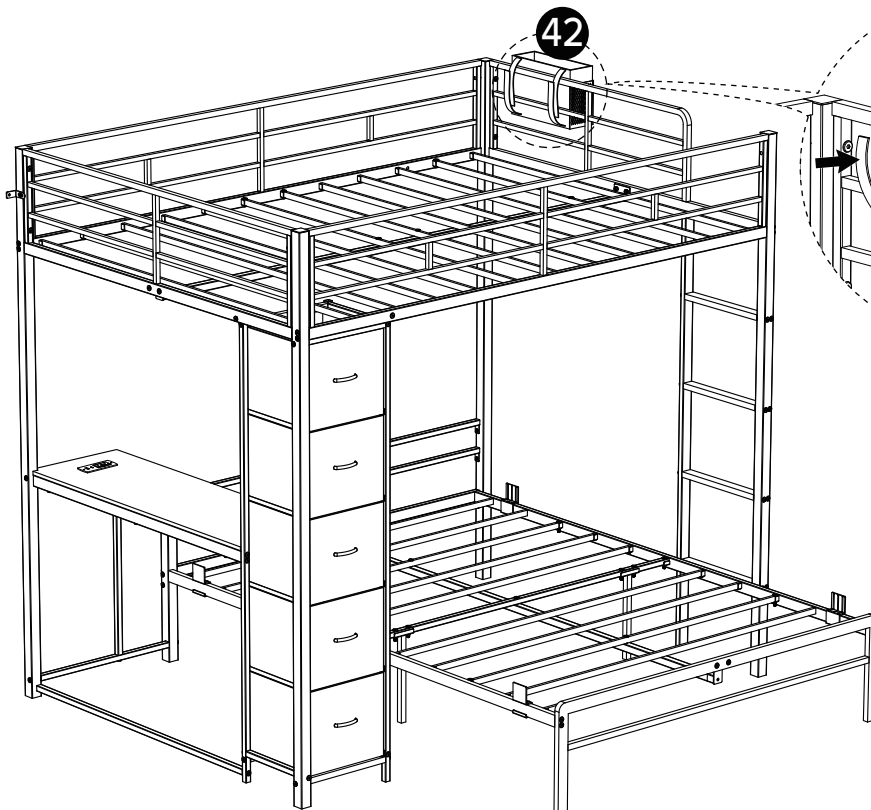


# Assembly Instruction

37



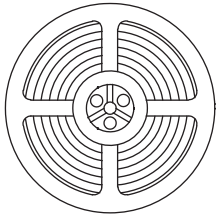
38



Adjust the velcro and paste it well.

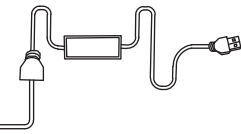
# Assembly Instruction

39

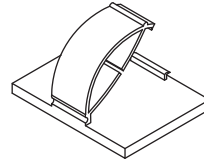


light bar

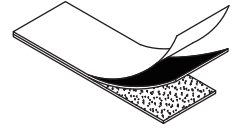
LED strip



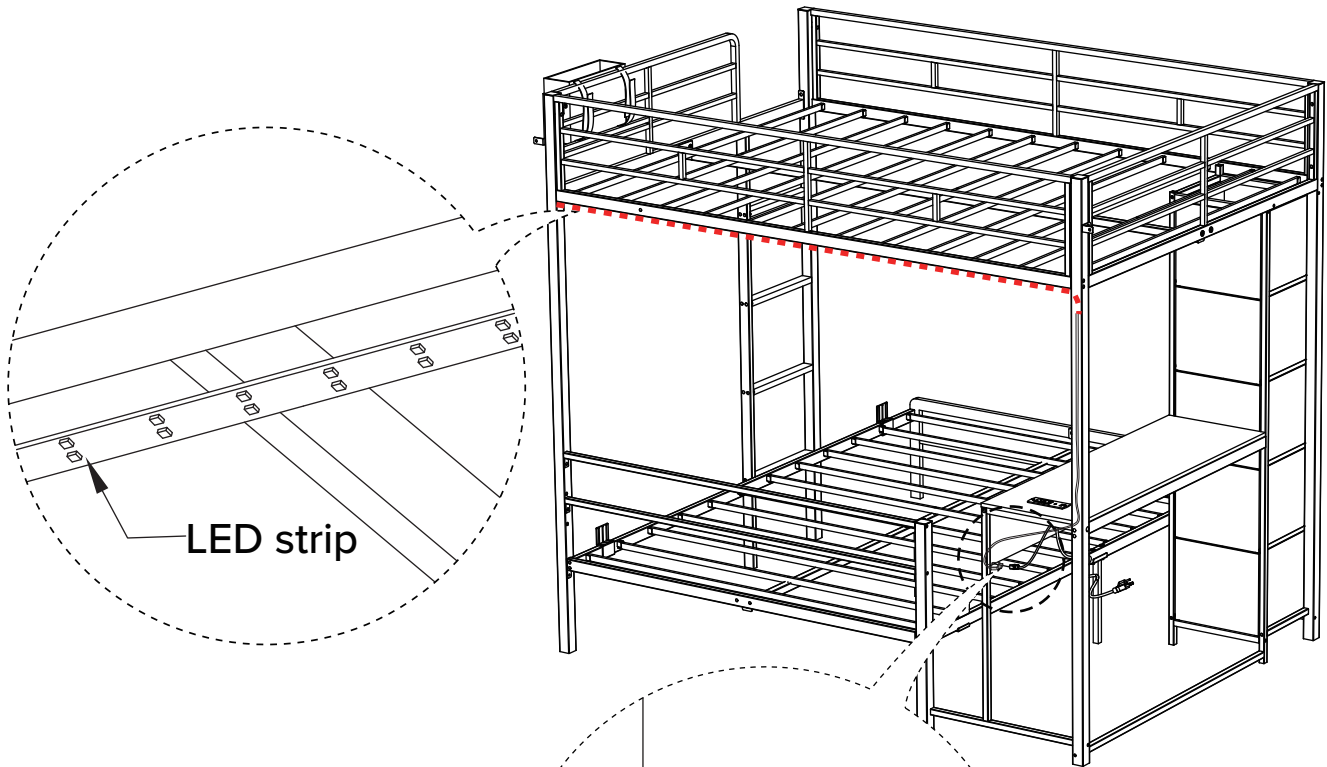
Controller wire



LED strip with clips

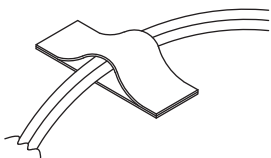


Thread embedding buckle



LED strip

Controller wire



When the wires are disordered, tear off the anti stick paper, paste it on the place where the wires pass, and then bind the wires.

# Assembly Instruction

40

