

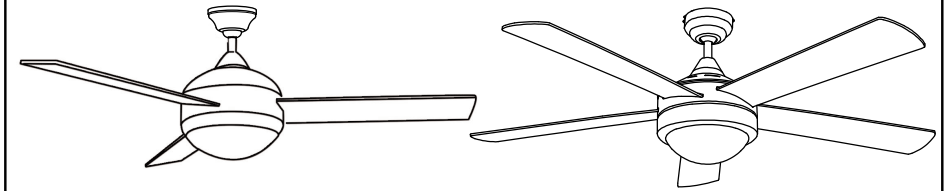
**TROUBLESHOOTING**  
**SUGGESTIONS**

**TROUBLE**

1. Fan will not start
  - Check wiring connections to fan.
  - Check fuses and circuit breakers.
  - Check wiring connections in switch housing.
  - CAUTION: Turn power off for last two items.**
  
2. Fan sounds noisy
  - Check to make sure that all screws in motor housing are snug.
  - Check to make sure that blade bracket screws are tight.
  - Check to make sure that marrettes in switch housing are not rattling against wall of switch housing.
  - If fan has a light kit make sure switch housing screws and set screws are tight.
  - Some fan motors are sensitive to signals from solid state variable controls. If solid state controller is used, change to an alternative control. (See a representative for a list of available controls.)
  - Allow a 24 hour break in period to eliminate most noises.
  
3. Fan wobbles or shakes excessively.
  - Check that all blades are screwed firmly into blade brackets.
  - Check that blade brackets are secured firmly to motor.
  - Check distance from tip of blades to ceiling.
  - Check distance between blade tip to blade tip. All measurements should be equal. Loosen blade screws and position blade until even then re-tighten.
  - Check that the downrod hemisphere notch is engaged in canopy.
  - Check to make sure that jam screws in downrod are tightened.
  - Make sure canopy and mounting bracket are tightened securely to wooden joist.
  - Make sure warpage has not occurred in wooden blades. If so, contact the customer service department for replacement parts.

**INSTALLATION INSTRUCTIONS**

**DUAL MOUNT SERIES**



INSTRUCTIONS PERTAINING TO RISK OF FIRE OR INJURY TO PERSONS  
READ ALL INSTRUCTIONS



**IMPORTANT SAFETY INSTRUCTIONS**  
**SAVE THESE INSTRUCTIONS**  
INSTALLATION AND WIRING TO BE IN ACCORDANCE WITH CEC, NEC, LOCAL ELECTRICAL CODES and ANSI/NFPA 70.  
**Consult a qualified electrician if you are not familiar with wiring.**

**5 YEAR LIMITED WARRANTY**

**“Thank you”** for purchasing our product. It is our policy to furnish you with high quality products at a fair price. With proper installation your fan should provide you with years of money saving comfort.

This fan is guaranteed to be free from defects in workmanship and Material for a period of five (5) years from date of purchase. Within the first (1) year from date of purchase any defective product should be returned to your **RETAIL OUTLET** along with proof of purchase. For the balance of the warranty, four (4) years, the **MOTOR WINDINGS ONLY** shall be free of defects. We will correct such defects or replace the motor assembly at our option if the product is returned, **FREIGHT PREPAID**, to us. The returned fan must be accompanied by your proof of purchase and a cheque for \$20.00 for handling and labour charges. All costs of removing and re-installing the product are **YOUR RESPONSIBILITY** damage to any part as such by accident, misuse, improper installation or by affixing any accessories **IS NOT** covered by this warranty. As a result of varying climatic conditions in our area this warranty does not cover any changes in finishes, including rusting, pitting, corroding, tarnishing or peeling.

**WARRANTY VOID: In cases of alteration, abuse, installation not in accordance with instructions or REMOVAL of the CSA Sticker.**

**TOOLS AND MATERIALS REQUIRED**

- Philips Screw Driver
- Blade Screw Driver
- Wiring supplies as required by electrical code.
- Step Ladder
- Wire Cutters

## **SAFETY PRECAUTIONS**

1. Turn off power at main electrical service box before starting installation.
2. Electrical connections must comply with local code ordinances, national electrical codes, CEC, NEC and ANSI/NFPA 70.
3. Make sure the installation site you choose allows the fan blades to rotate freely without any obstructions.
4. When mounting the fan on a ceiling outlet box, Use an approved (CSA for Canada and UL for U.S.) ceiling fan box marked "**FOR FAN SUPPORT**". Ensure the outlet box is securely installed in place such that it is able to support at least the fan weight.
5. **WARNING:** To reduce the risk of fire, electric shock, or personal injury, mount fan only to an outlet box marked acceptable for fan support and use mounting screws provided with the outlet box. Most outlet boxes commonly used for the support of lighting fixtures are not acceptable for fan support and may need to be replaced. Consult a qualified electrician if in doubt.
6. **Total Fan Weight For Reference:** 48" approximate 8.0 kgs(17.63lbs).  
52" approximate 9.0 kgs(19.84lbs).

## **WARNING**

- To reduce the risk of fire or electrical shock, remote control for optional remote control adaptability.
- **WARNING: TO REDUCE THE RISK OF FIRE, ELECTRIC SHOCK, OR PERSONAL INJURY, MOUNT TO OUTLET BOX MARKED ACCEPTABLE FOR FAN SUPPORT AND USE MOUNTING SCREWS PROVIDED WITH THE OUTLET BOX.**
- Mount with the lowest moving parts at least 2.10 Meters (7 Feet) above floor or grade level.
- **DO NOT** operate reversing switch while fan blades are in motion. Fan be turned off and rotating blades stopped, reverse chain pulled, the speed must chain pulled again to start in the opposite direction.
- **WARNING: TO REDUCE THE RISK OF INJURY TO PERSONS, ENSURE THE FAN LOWER COVER IS SECURELY ATTACHED ON THE FAN UPPER COVER BEFORE USE.**

## **INSTRUCTIONS**

The slide switch is for forward/reverse rotation.

In cold weather: Set to reverse rotation (clockwise). Airflow will be directed upward, circulating warm air.

In warm weather: Set to forward rotation (counter-clockwise). Airflow will be directed downward, circulating cold air.

### **REMOTE CONTROL**

Install DC1.5V/AAA\* 2pcs battery (not included). Operation buttons on the remote:

HI : Turn on the fan at high speed

MED : Turn on the fan at medium speed

LOW : Turn on the fan at low speed

OFF : Turn off the ceiling fan

LIGHT ON/OFF: Press and release immediately to turn on or off the light.

DIMMER- Press and hold to dim or brighten lights to the desired level

and release. (Incandescent light bulbs or dimmable LED bulb only).

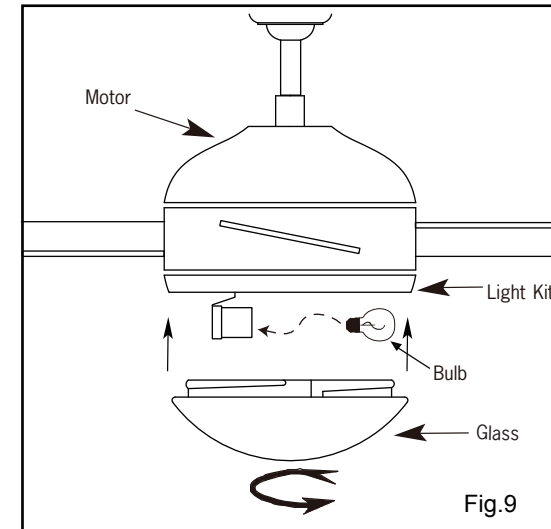
\*Hold down to increase or decrease the light.

The light has a memory function so the light will stay at the same brightness as the last time it was turned off.

## **7. LIGHT ASSEMBLY**

- Install proper wattage and type of bulb identified on light housing or shade.
- Place glass onto the fan and turn to secure.

**WARNING : BE SURE TO TURN OFF POWER BEFORE INSTALLING**

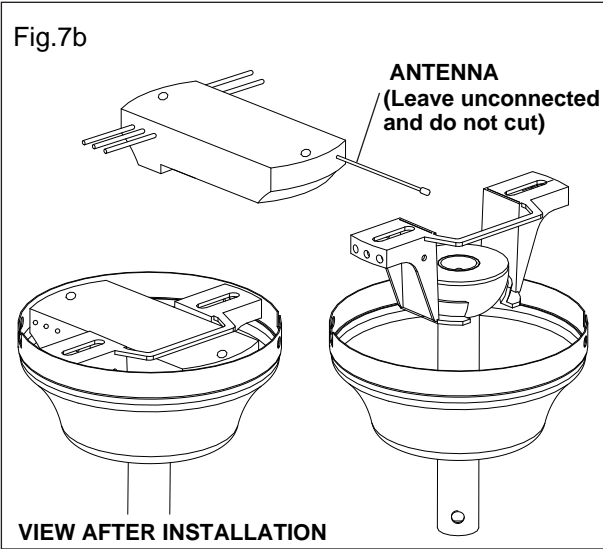


**WARNING: Ensure that all connections, set screws and screws are securely tightened before the next step.**

**To clean the fixture, turn off the power, wait for it to cool, and wipe the fixture with a clean, soft cloth.**

## 4. ELECTRICAL HOOK-UP

C



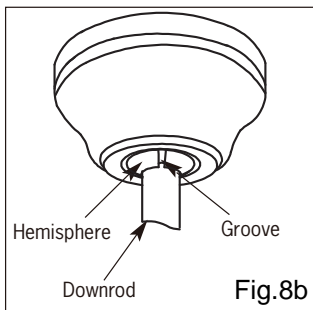
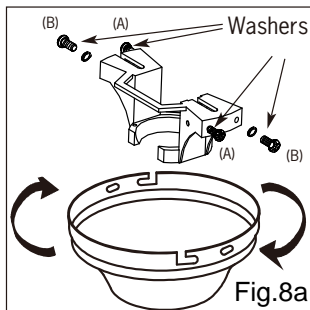
## 5. MOUNTING FAN ASSEMBLY

- Place two screws and washers on mounting plate (marked B on diagram) which correspond with slots in canopy. Screw in two turns.
- Position canopy to mounting plate aligning slots to screws (marked B on diagram) then turn to lock.
- Position and tighten the two screws and washers (marked A on diagram) then tighten the two screws (marked B on diagram).

## 6. ENGAGE HEMISPHERE (Downrod Mount Only)

- Carefully rotate fan assembly until groove in hemisphere locks over tab of canopy assembly.

**WARNING:** Failure to seat tab in groove could cause damage to electrical wires and possible shock or fire hazard.



**NOTE:** When installing fan on sloped ceiling, make sure tab on hanger bracket faces towards the top of the slope. Depending on the slope, a longer downrod may be required to prevent fan blades from hitting the ceiling.

## ASSEMBLY DRAWING

- A. Mounting Bracket
- B. Canopy
- C. Downrod Assembly
- D. Yoke Cover
- E. Fan Motor Assembly
- F. Motor Cover
- G. Glass
- H. Remote Control
- I. Fan Blade

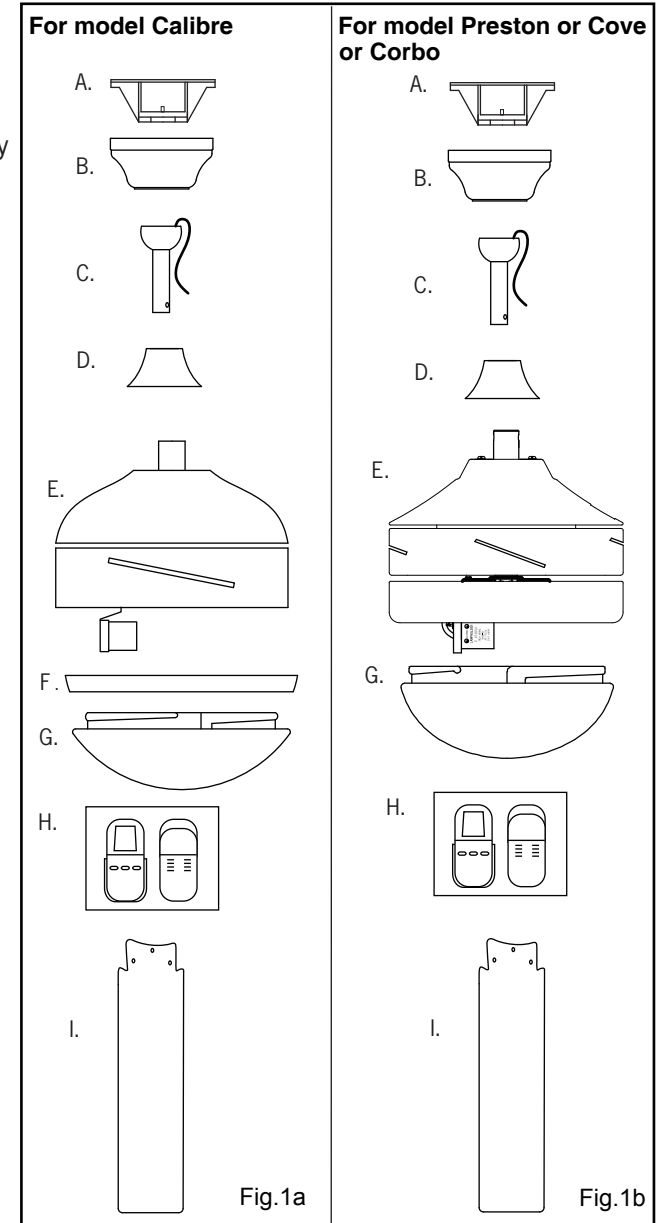


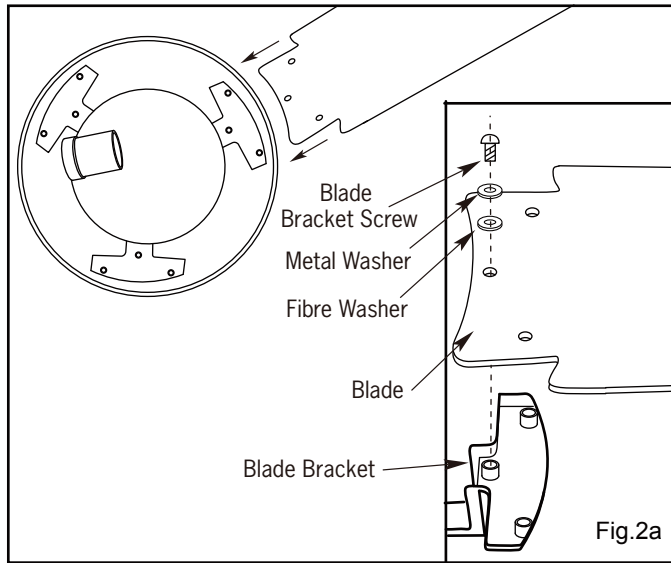
Fig.1a

Fig.1b

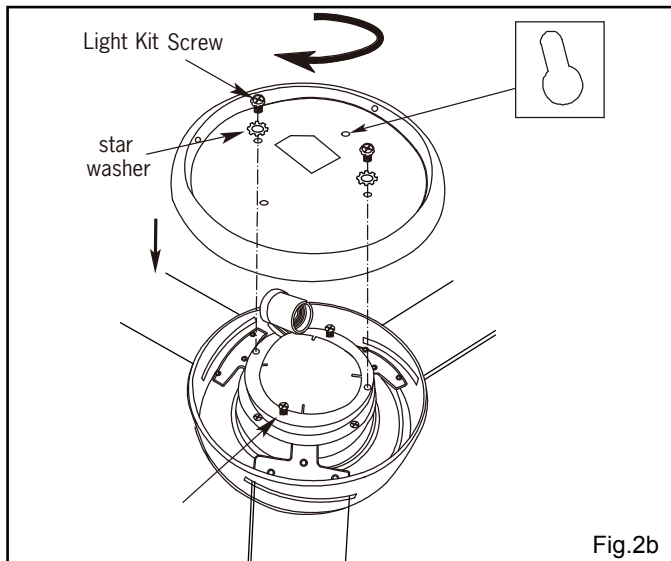
# 1. ATTACH THE FAN BLADES

For model Calibre: Fig.2a and 2b

- Attach the blades to the fan motor assembly using the screws and flat washers.



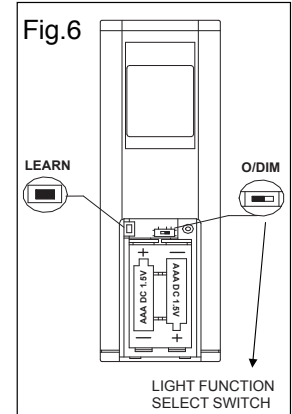
- Mount the motor cover to the fan motor assembly, aligning screws in motor fan assembly with the key slots on the motor cover. Turn cover to lock in place and tighten screws.



# 4. ELECTRICAL HOOK-UP

## B LEARNING PROCESS

- After installation of the fan, power on the fan. Open battery cover and install battery, DC1.5V/ AAA\*2 pcs that are not included. Use a ball pen to press and hold the "LEARN" key for 1-3 seconds.
- FAN will be turned "OFF" and then "ON" at medium speed. This indicates the learning process is completed.
- **Please GO through this learning process within 30 seconds after power on.**
- If just replace batteries, no need to re-learn.
- Please note that the transmitter can learn in multiple receiver while doing learning process.
- **Please make sure NOT to turn on other fans while learning.**

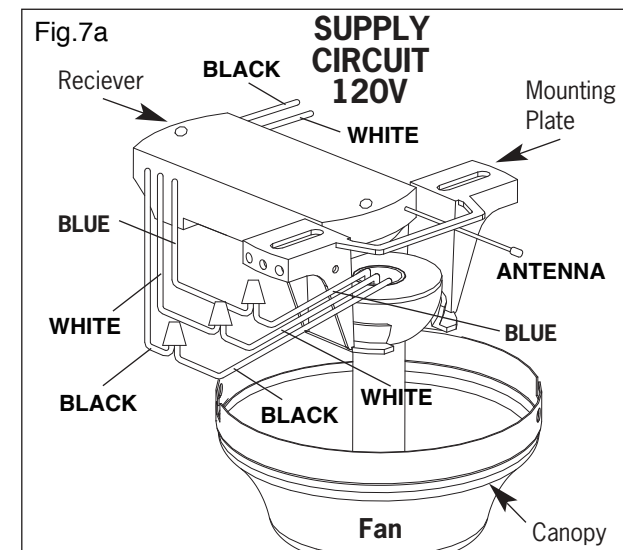


## LIGHT FUNCTION SELECT SWITCH

- If a fluorescent lamp is used, slide the function switch to "O" position.
- If a regular incandescent lamp is used, slide switch to the "DIM" position.

## C

- Push all connected wires up into ceiling box. Position the receiver into the canopy as shown direction.



## 4. ELECTRICAL HOOK-UP

**A** Make the following wire connections to the receiver unit (see fig. 5) using the wire nuts supplied.

- connect GREEN fan wire to BARE (ground) wire.
- connect BLACK receiver unit wire to BLACK supply wire.
- connect WHITE receiver unit wire to WHITE supply wire.
- connect WHITE receiver unit wire (MOTOR N) to WHITE fan wire.
- connect BLACK receiver unit wire (MOTOR L) to BLACK fan wire.
- connect BLUE receiver unit wire (FOR LIGHT) to BLUE light wire.
- After making the wire connections, ensure the wires should be spread apart with the grounded conductor and the equipment-grounding conductor on one side of the outlet box and the ungrounded conductor on the other side of the outlet box.
- Ensure the splices after being made should be turned upward and pushed carefully up into the outlet box.

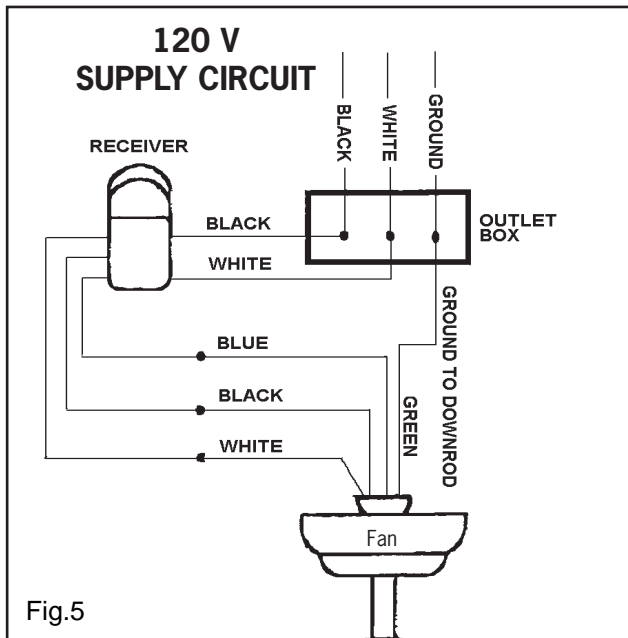


Fig.5

**In Quebec, the installation of this product must be carried out by a qualified electrician.**

**NOTE:** Once ground wires are connected, carefully tuck all wires and marrettes into the metal outlet box making sure that the wires are clear of the hemisphere and downrod when positioned in mounting bracket.

## 1. ATTACH THE FAN BLADES

**For model Preston or Cove or Corbo:  
Fig.2c ,2d and 2e**

- Remove the cover on the top housing.

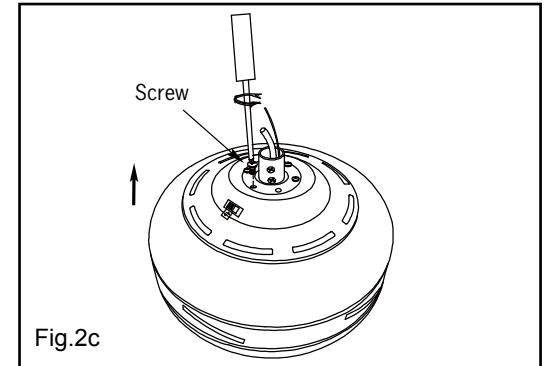


Fig.2c

- Attach the blades to the fan motor assembly using the screws, metal washer and fibre washer. Slightly turn the blade after installation and repeat the same step for the other blades.

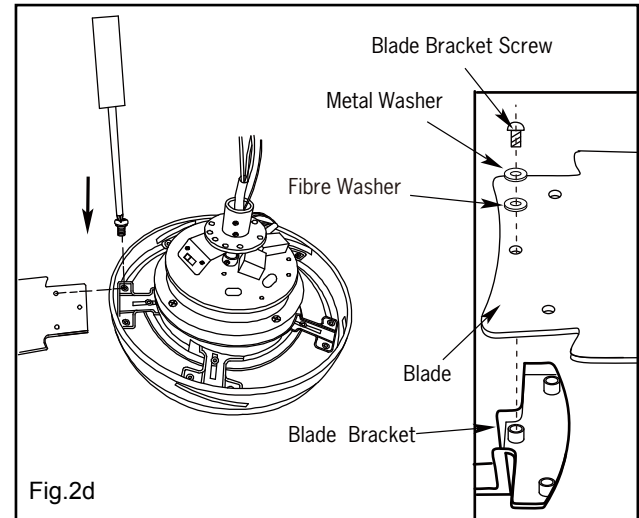


Fig.2d

- Re-attach the cover to the top housing.

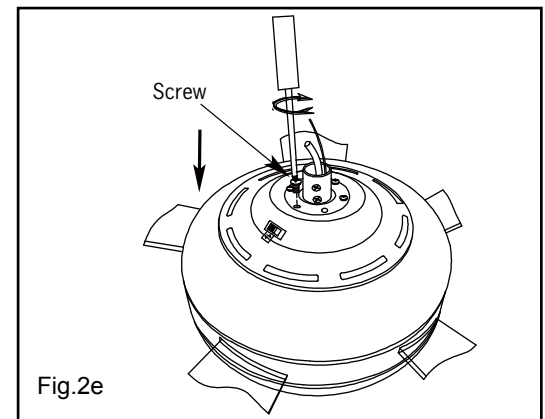


Fig.2e

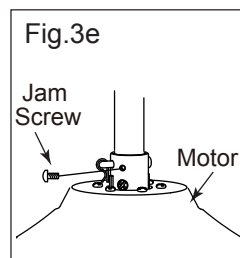
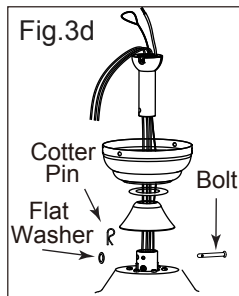
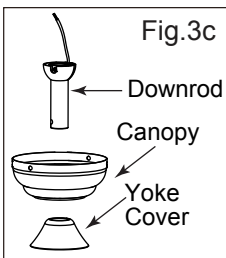
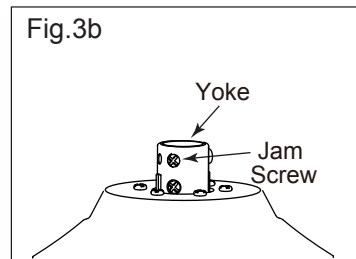
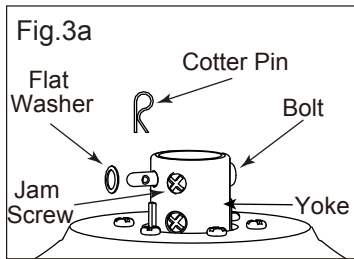
## INSTALLATION

**NOTE:** All set screws must be checked and retightened where necessary, before and after installation.

## 2. MOUNTING

### A DOWNROD MOUNT

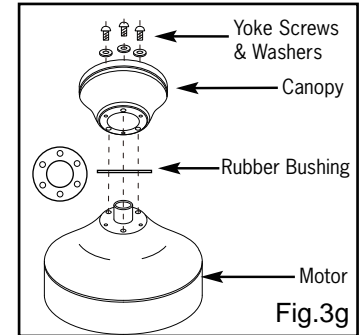
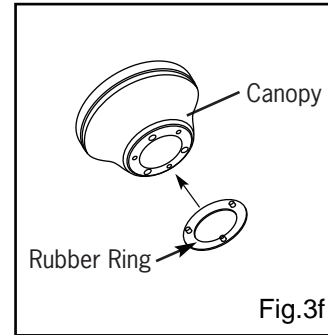
- Take out fan motor housing.
- Remove cotter pin and bolt from yoke.
- Loosen jam screw in yoke until it is flush with the inside surface.
- Obtain downrod, canopy and yoke cover.
- Place downrod inside canopy and yoke cover.
- Route wires exiting motor through yoke cover, canopy and downrod.
- Insert bolt through hole in shaft and downrod. **Be careful not to damage or cut the fan wires.**
- Tighten flat washer and bolt. Secure with cotter pin through hole in the end of the bolt.
- Secure downrod in position by tightening jam screws. Slide yoke cover down so it is flush with the motor housing.



### B FLUSH MOUNT

- Remove rubber ring from canopy.
- Place canopy on fan housing by aligning 3 larger holes of canopy over 3 existing screws on the motor housing.
- Secure canopy to motor housing by placing 3 screws and washers (supplied in hardware package) in the 3 smaller holes in the canopy.

### B FLUSH MOUNT



## 3. INSTALL MOUNTING BRACKET

**WARNING: To Reduce The Risk Of Fire, Electric Shock, Or Personal Injury, Mount To UL/CSA Listed Outlet Box Marked Acceptable for Fan Support And Use Mounting Screws Provided With The Outlet Box.**

- Install J-Hook through centre of outlet box and into the wooden joist.
- Secure mounting bracket and rubber gaskets to outlet box.
- Hang the safety cable onto the J-hook.
- Hang fan on temporary hook or mounting bracket.

**Diagram Fig.4b is for Downrod Mount.**  
**Diagram Fig.4c is for Flush Mount.**

