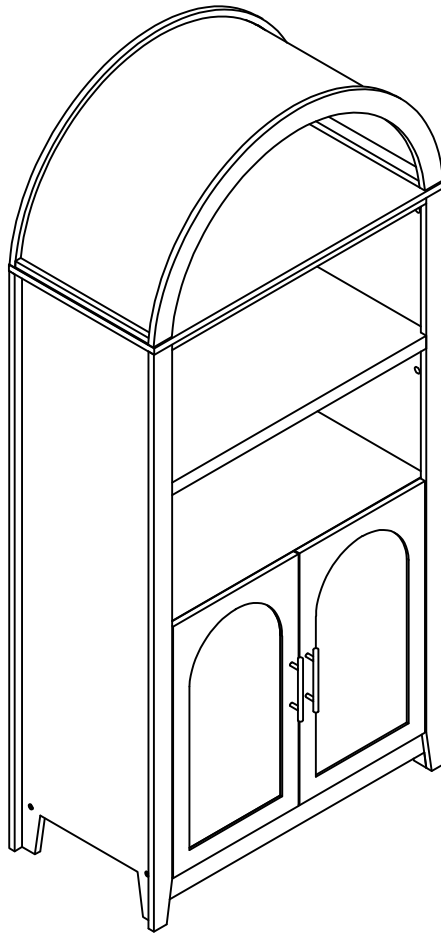


Assembling Instruction



ATTENTION

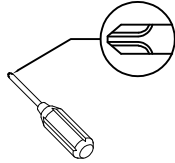
If there is any missing, please kindly send us messages to let us know the name of missing part regarding to the first page of instructions.

We will send replacement to you asap. We are concerned about each customer's experience, if there is any loss or damage, please contact us at any time, we will provide effective solutions.

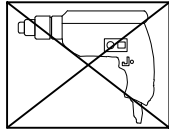


General Assembly Guidelines

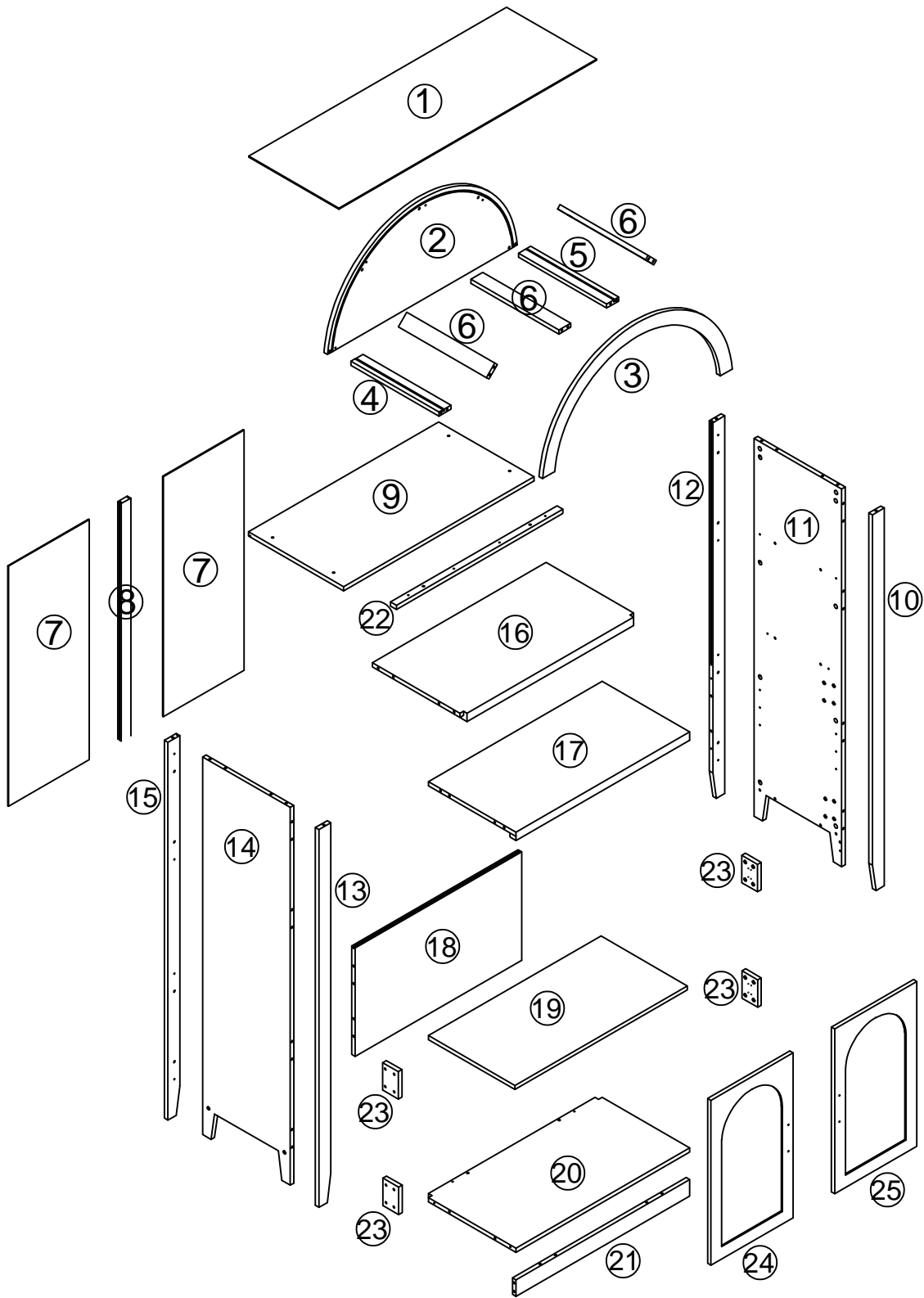
- I. Ensure that all parts and hardware are available before beginning assembly.
- II. Follow each step carefully to ensure the proper assembly of this product.
- III. Two people are recommended for ease in the assembly of this product.
- IV. The three main types of hardware used to assemble this product are : wood dowels , screws and bolts.
- VI. A Phillips head screwdriver is required for the assembly of this product .



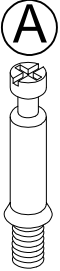
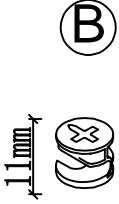
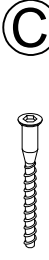



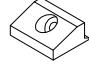








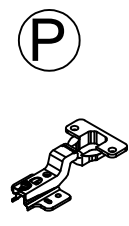




- VII. Power tools should not be used to assemble this product .

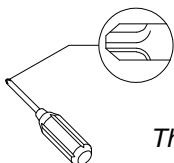


Parts List



HARDWARE PACK CONTENT

 Ø6x35mm 47x +3	 Ø15x11mm 47x +4	 Ø6x50mm 4x+1	 1x	 Ø5x13x26mm 4x+1	 Ø3x17mm 12x+1	 12x+1
 Ø6x25mm 2x	 M6*20mm 20x+2	 2x	 Ø4x19mm 4x+1	 Ø30mm 51x+3	 Ø8x30mm 55x+3	 Ø4x20mm 4x+1
 Ø3.5x12mm 24x+3	 4x	 2x	 2x	 Ø4x12mm 2x	 Ø4x32mm 2x	

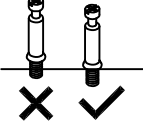
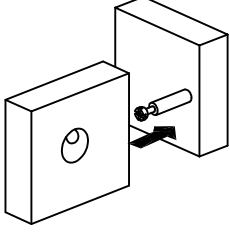
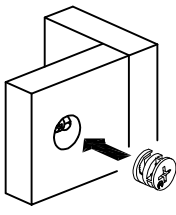
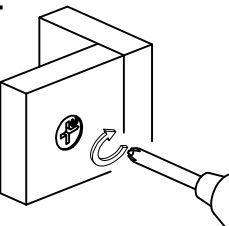


Philips head screwdriver required for assembly
(not included)

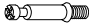
*The hardware quantities listed above are required for proper assembly.
Some extra hardware may also have been included.*

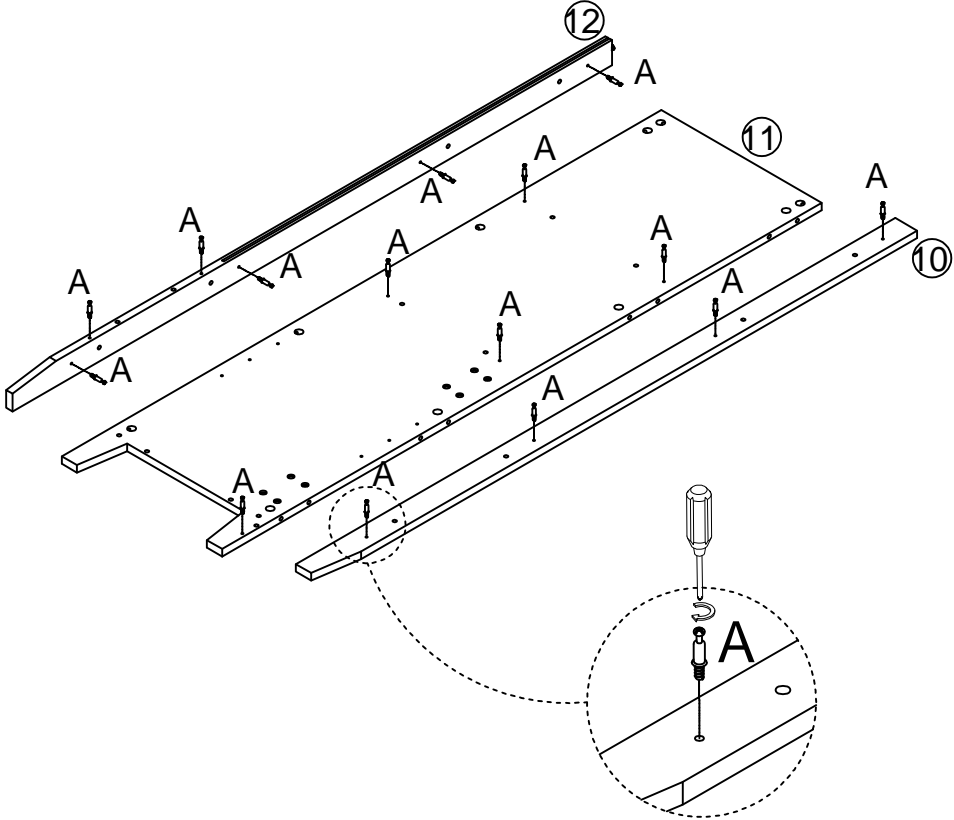
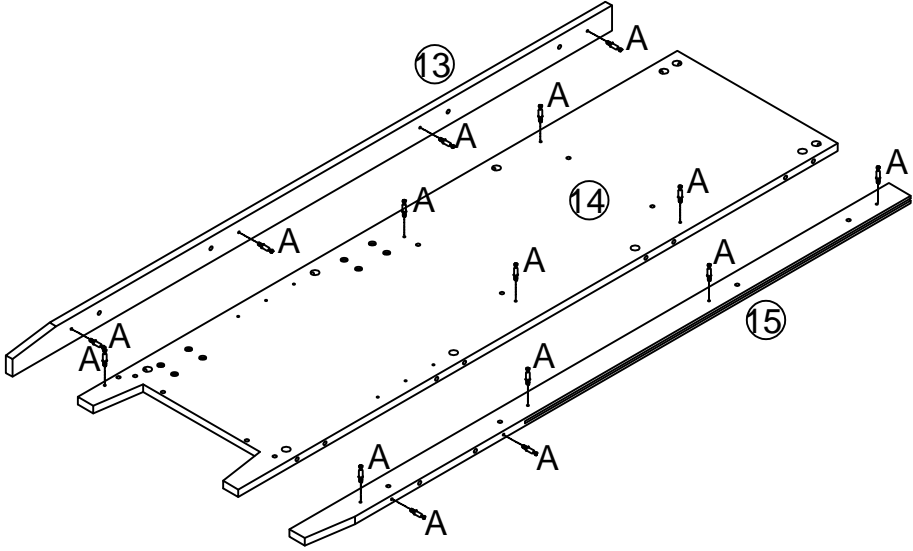
CAM LOCK/BOLT FASTENING INTRODUCTION

(You will use it during assembly)

1 	2 	3 	4 
<p>1.Screw cam bolt into the threaded anchor gently. (Attention:don't screw cam bolt too deep or too shallow.)</p>	<p>2.Please connect the 2 boards you want connect by inserting cam bolt.</p>	<p>3.Insert the cam lock into the round hole of the board. (Attention:point the arrow on the top of the cam lock to the outer edge.)</p>	<p>4.Turn the cam lock clockwise until it is firmly tightened.</p>

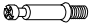
Step 1

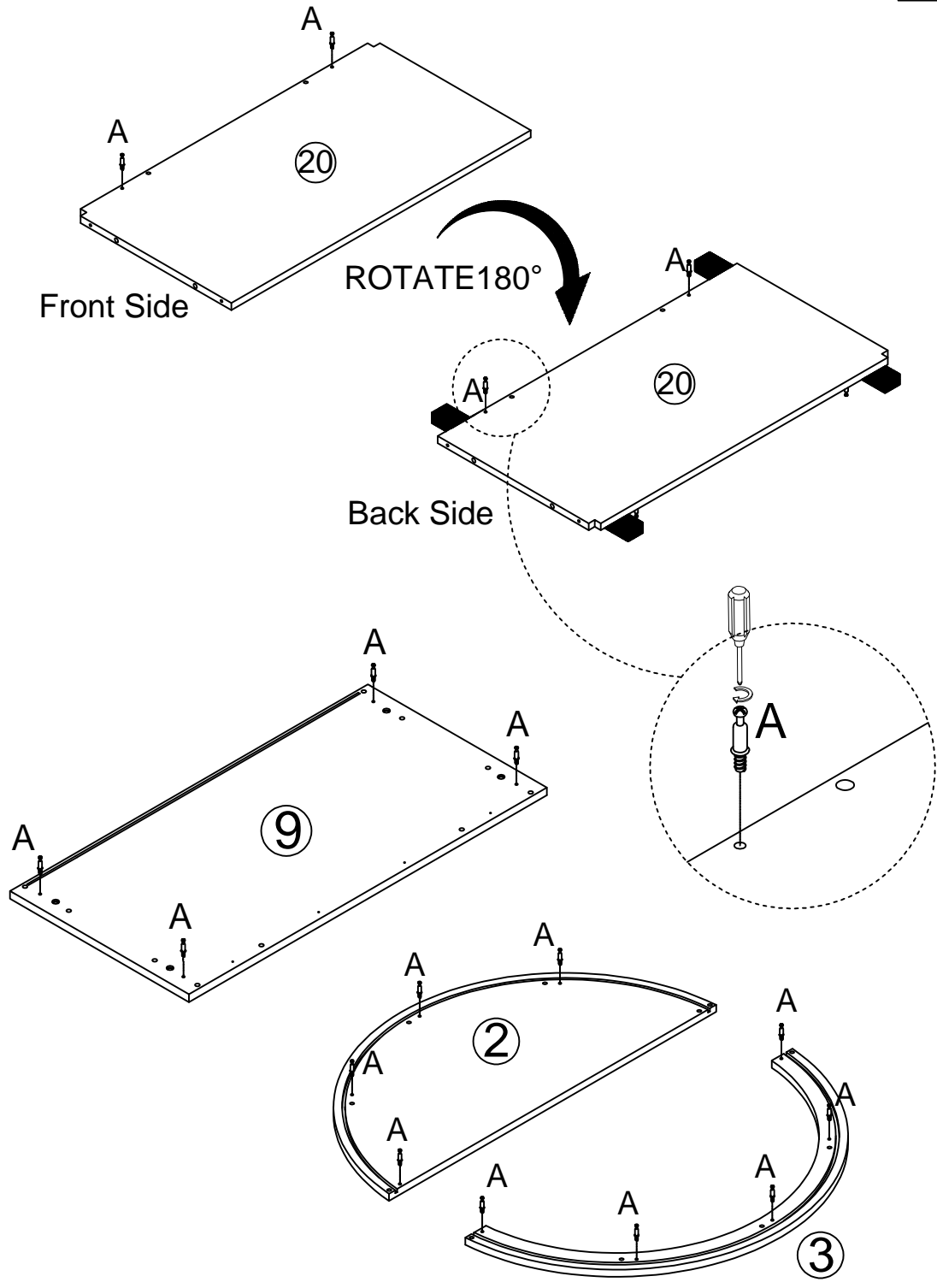
A

X30





Step 2

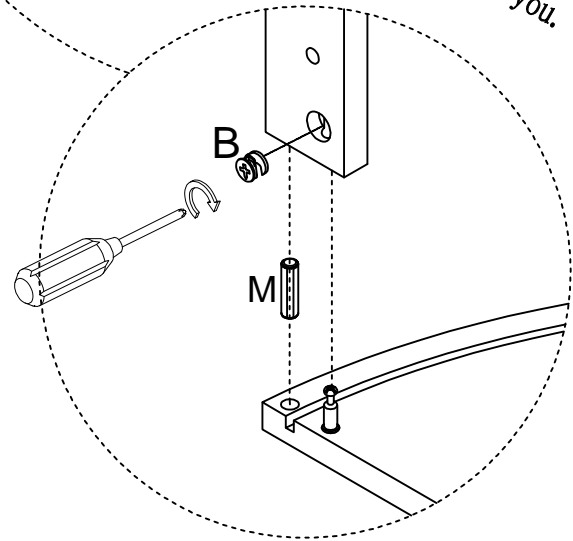
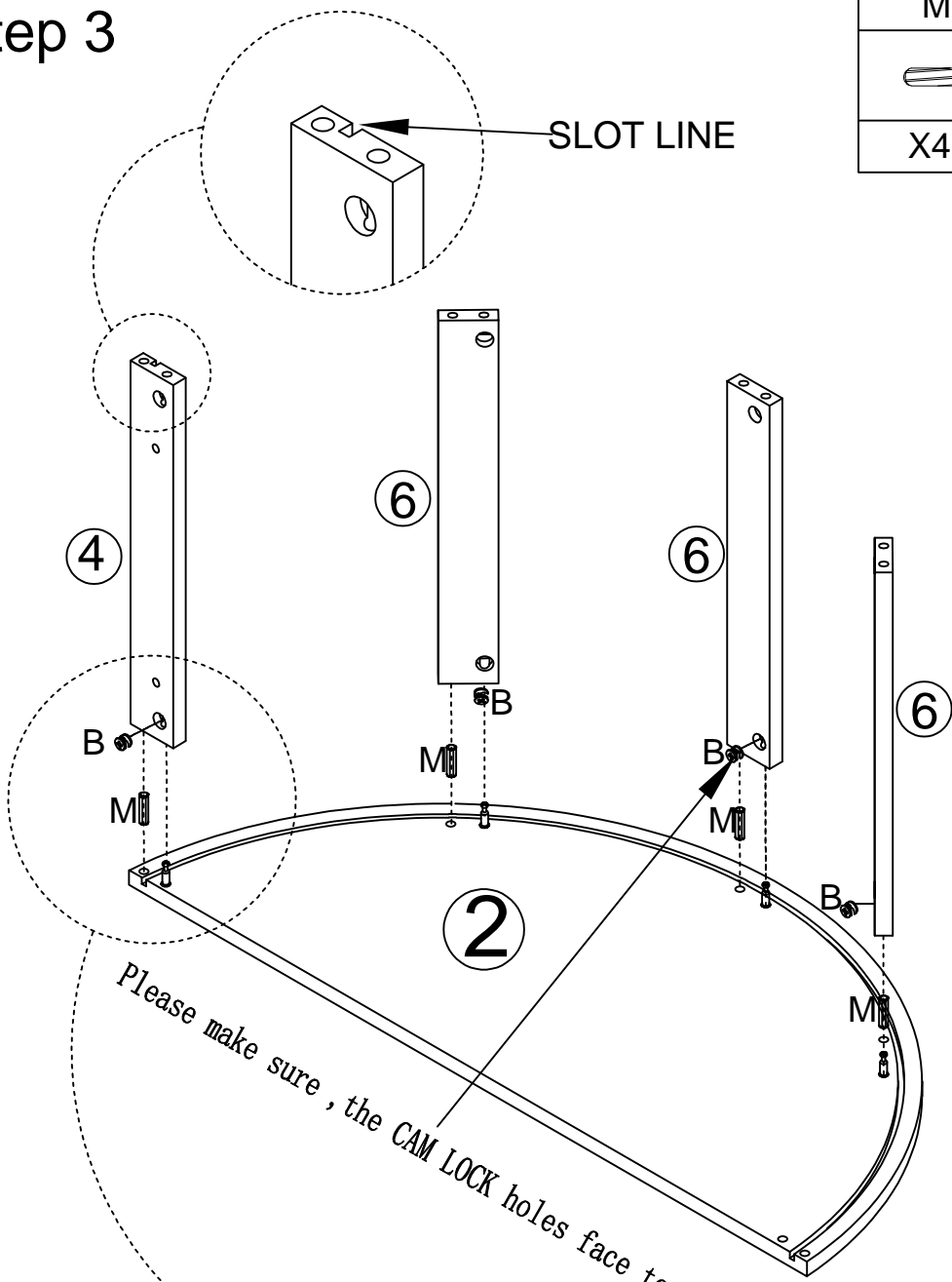
Note: This step involves only ONE Board ②

A

X17





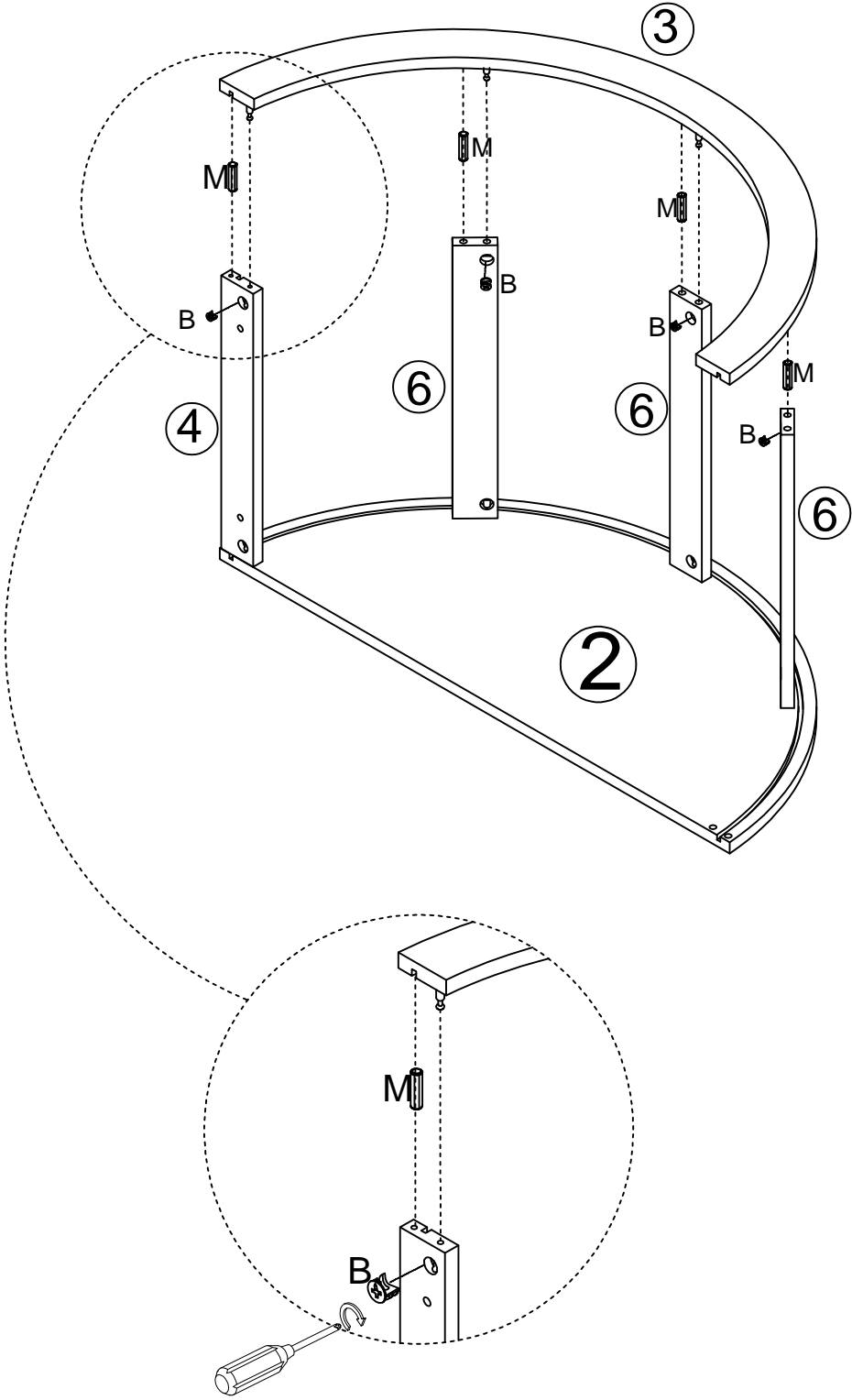
Step 3

M	B
	
X4	X4



Step 4

M	B
	
X4	X4



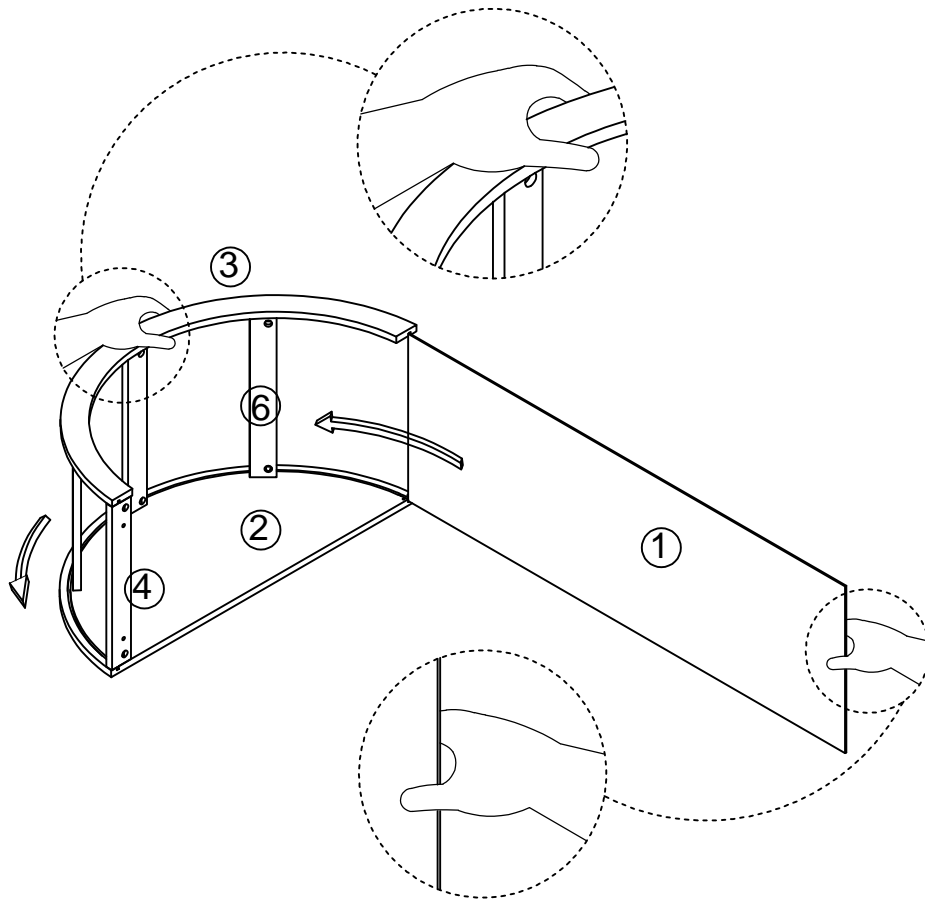
Step 5

NOTE:

It is recommended that 2 people assemble.

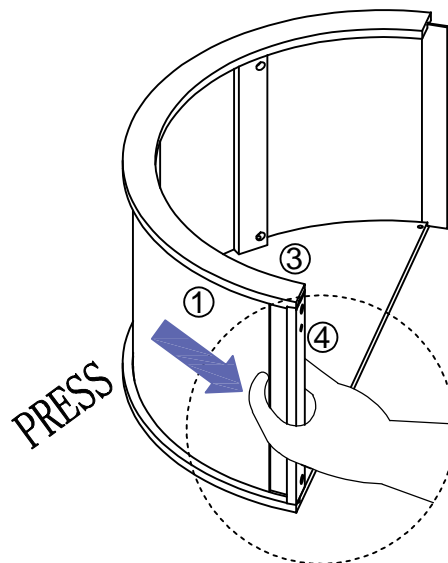
STEP 5-1: Insert Thin Board #1

Hold the middle of board #3 and insert #1 into the groove from right to left.



STEP 5-2: Secure Thin Board #1 into #4's Groove

As #1 approaches #4, press #1's middle part with hand to keep it aligned with #4's groove. Simultaneously push #1 into the groove of #4 from right to left.

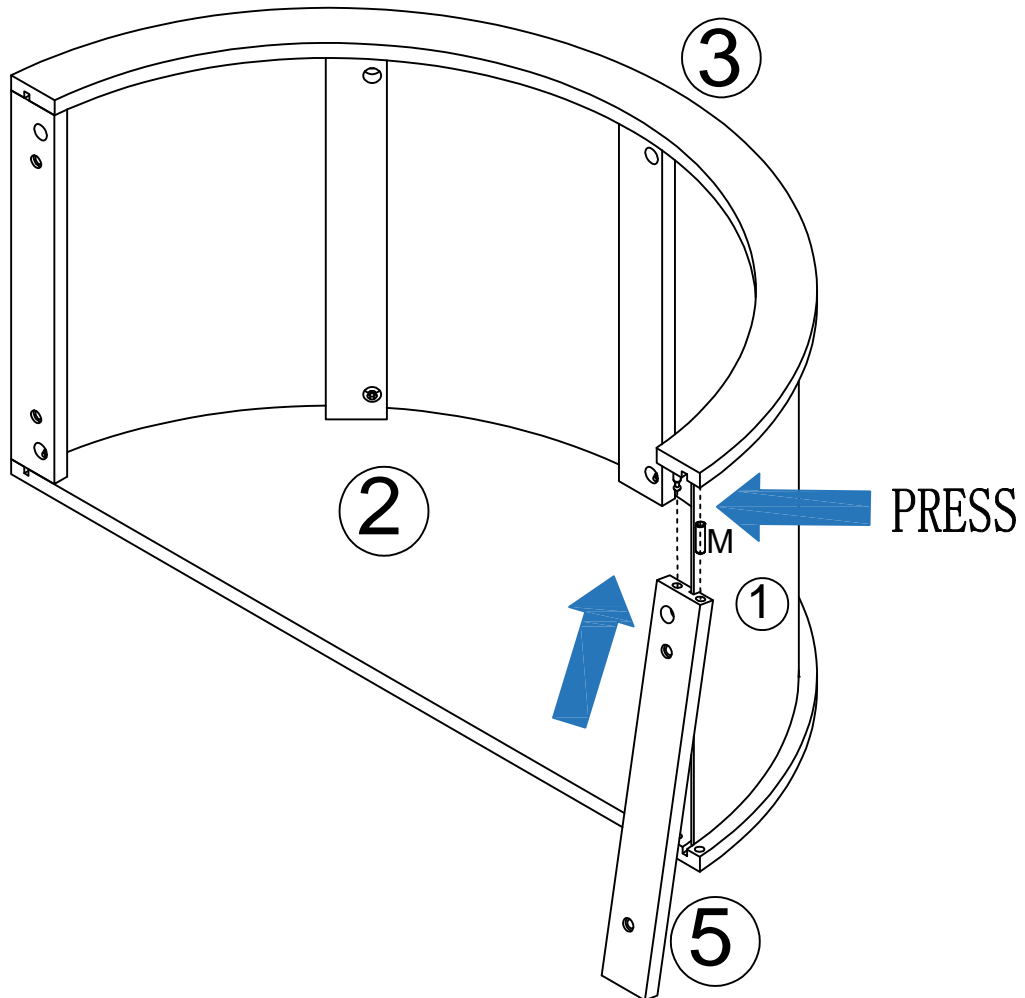


Step 6

M



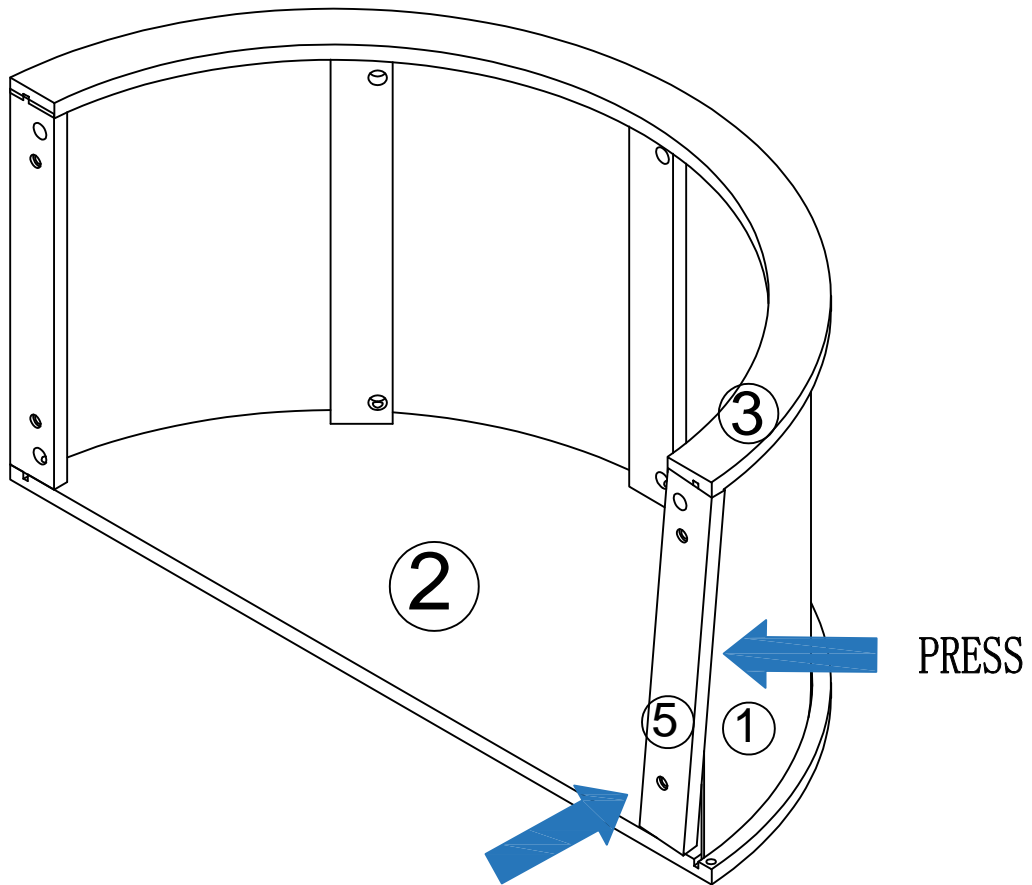
X1



Install #5 on the Right Side

While pressing the upper end of #1 to ensure it aligned with the top of #5's groove, align #5 with the bolt and wooden dowel hole on #3, and insert the top of #5 upward.

Step 7



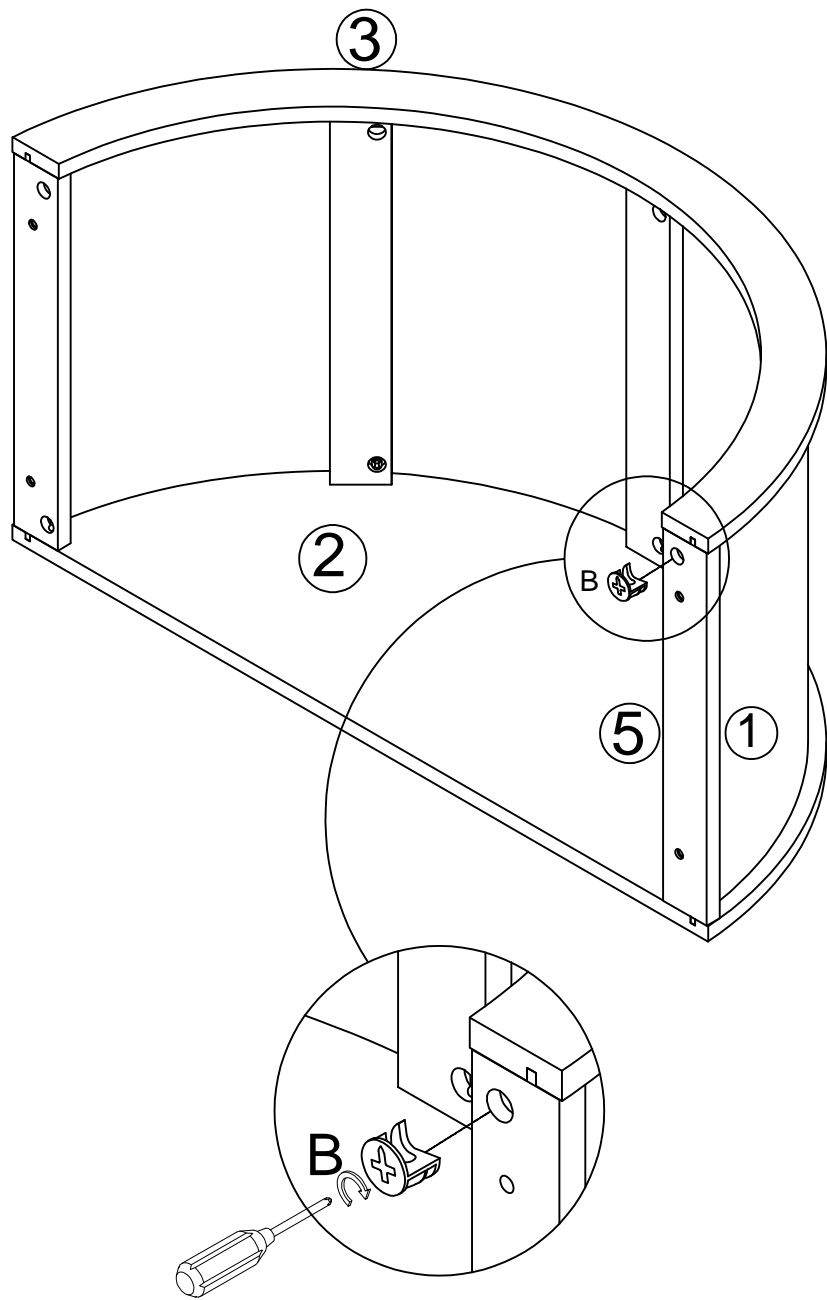
Snap #5 into Thin Board #1

Press the middle part of #1 to align it with of #5's groove, and snap the groove on #5 into #1.

Step 8

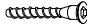

B

X1

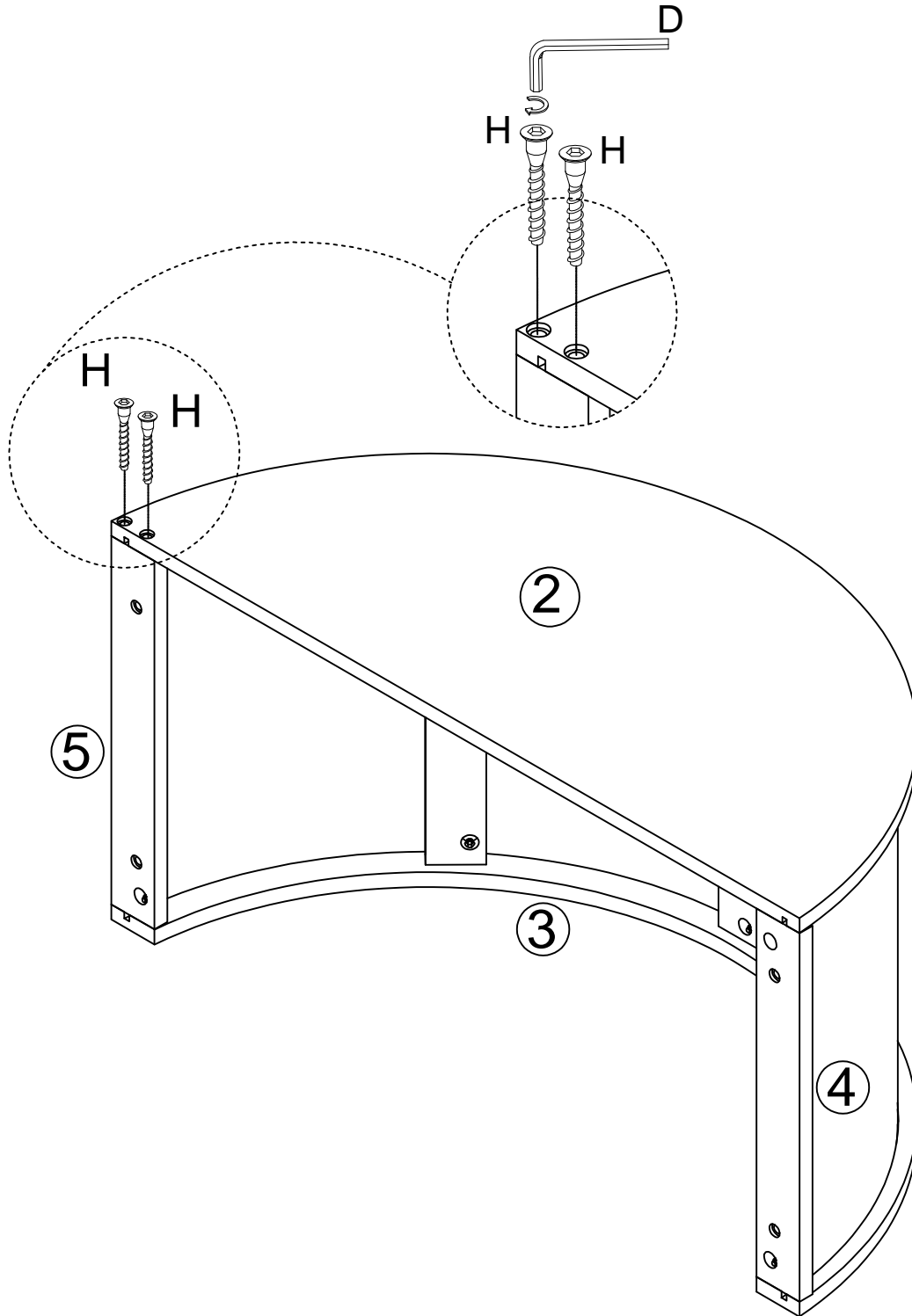


Secure the Cam Nut
Insert the cam lock nut and tighten it.

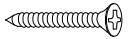
Step 9

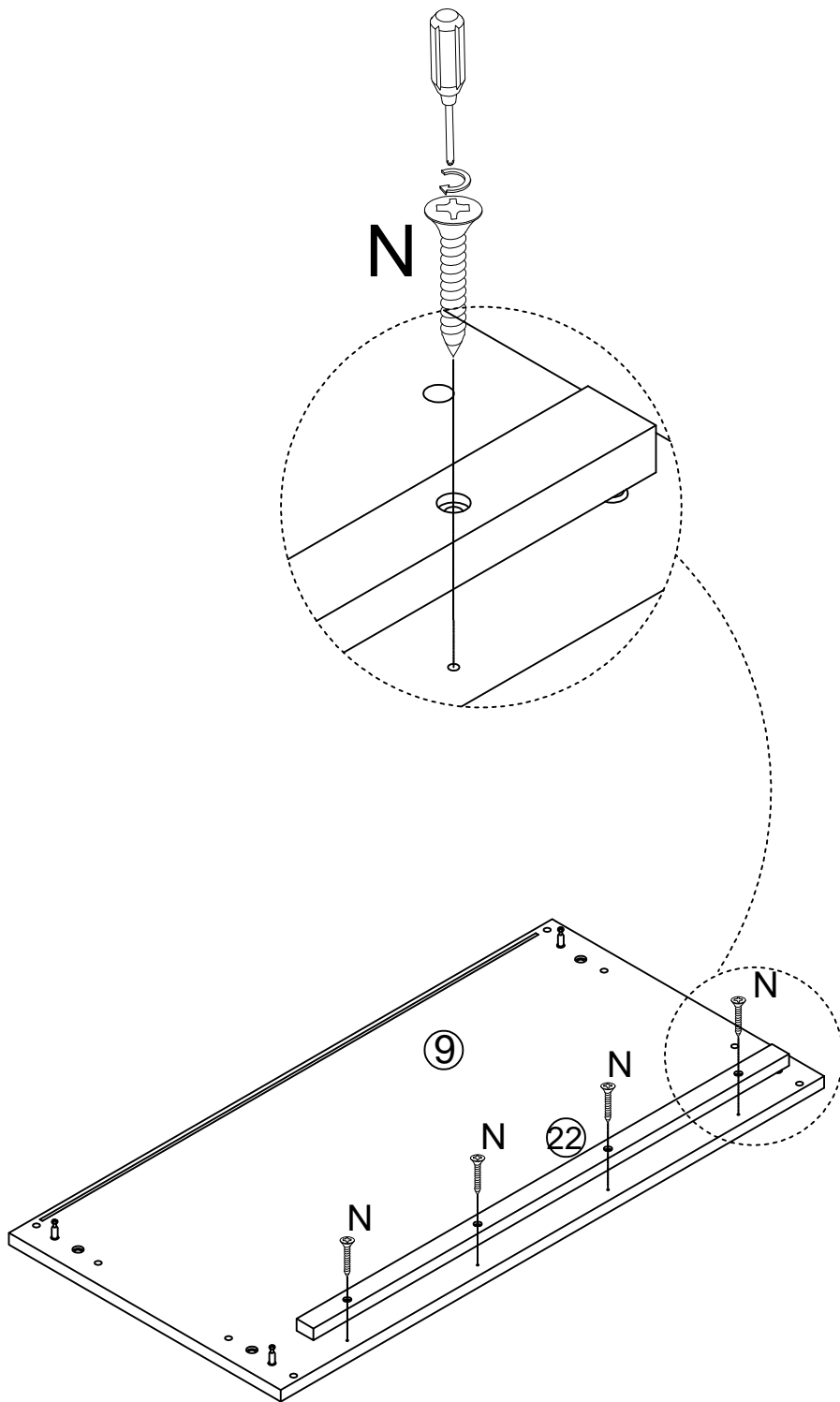
H	D
	
X2	X1

NOTE: Use 2 short #H 25MM screws Do NOT use #C screws





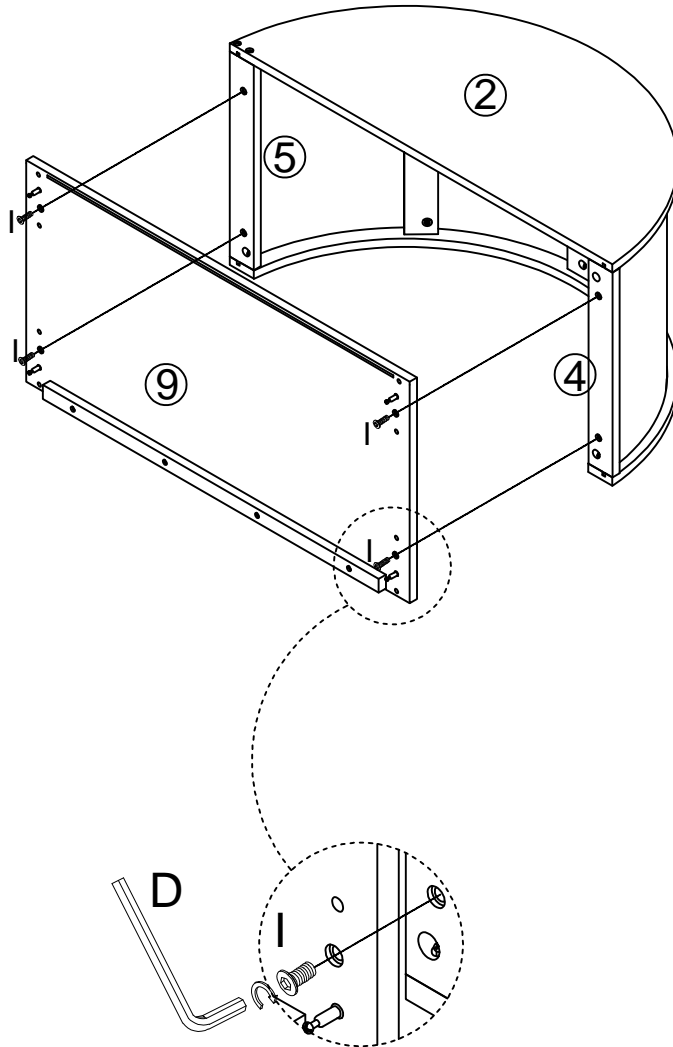
Step 10

N

X4





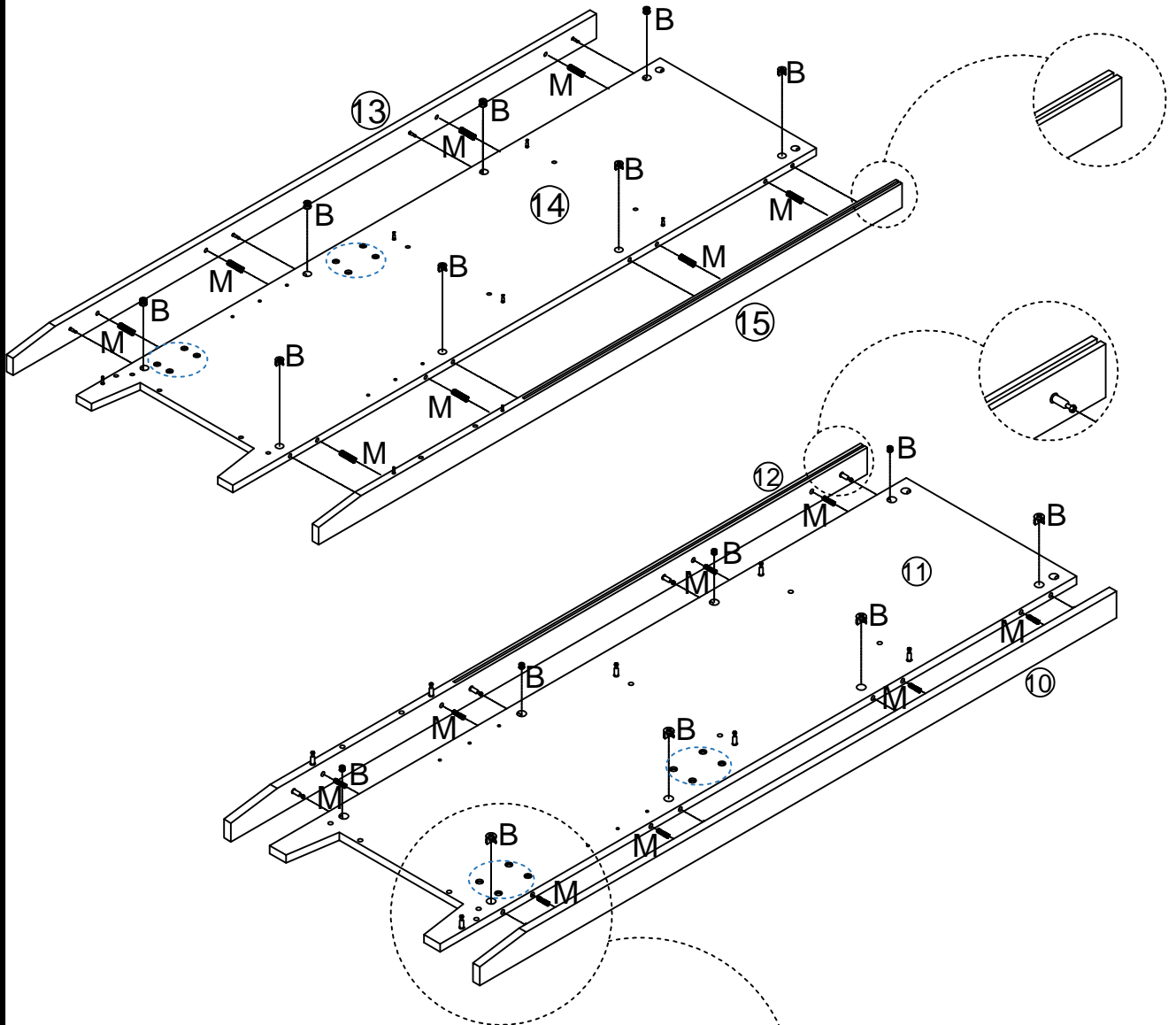
Step 11

I	D
	
X4	X1

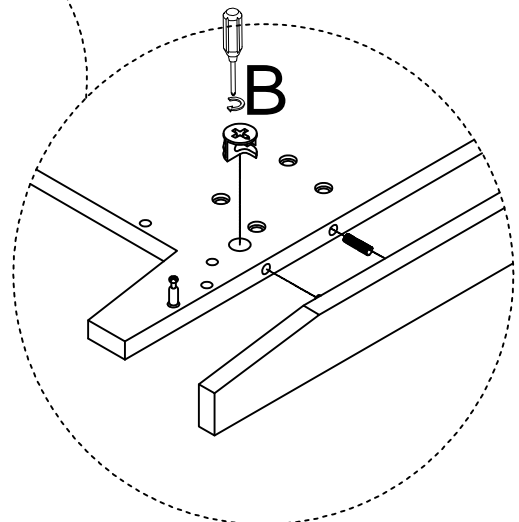


Step 12



M	B
	
X16	X16

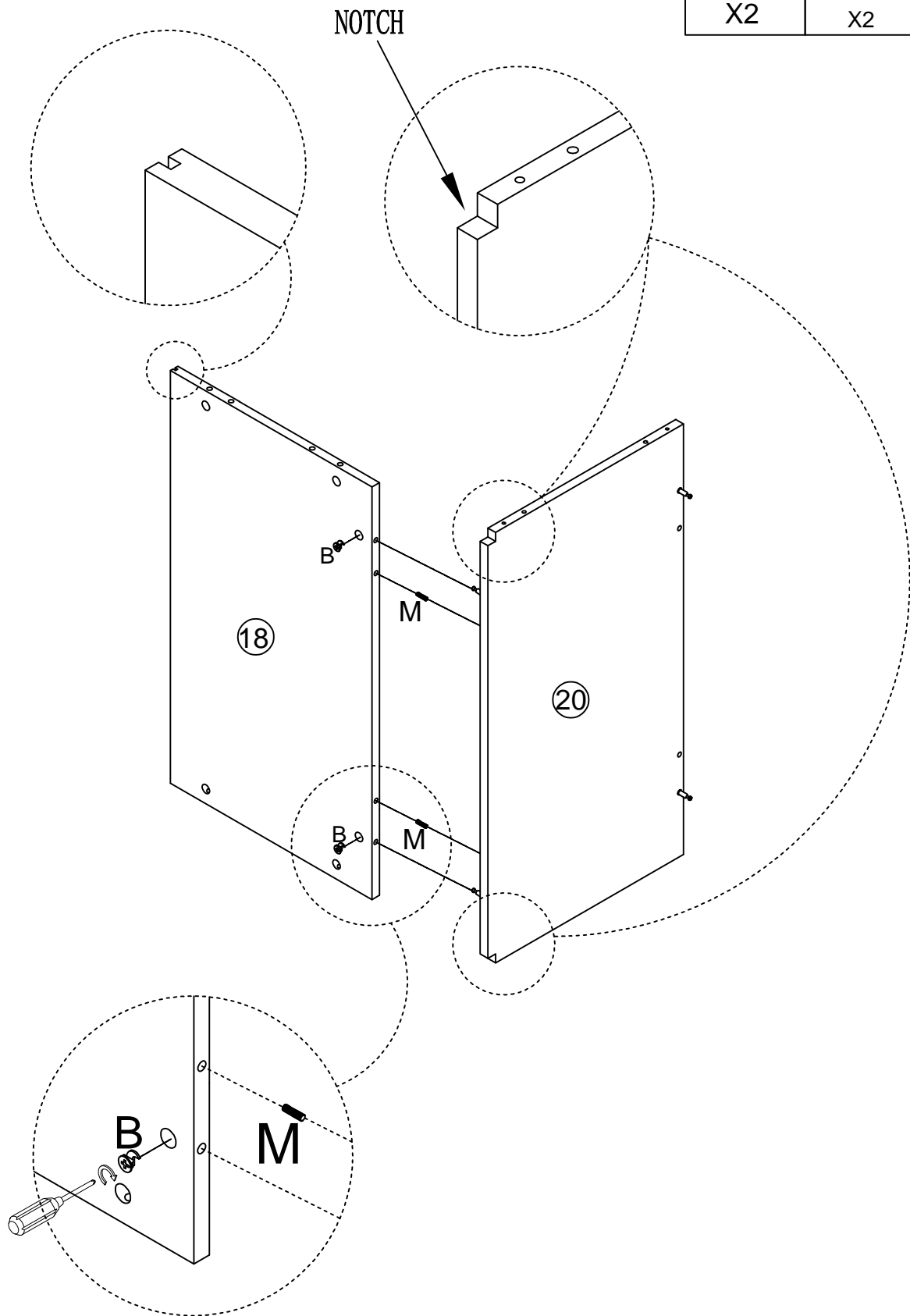


NOTE: Use #14 board to connect #13 and #15 legs, Use #11 board to connect #12 and #10 legs





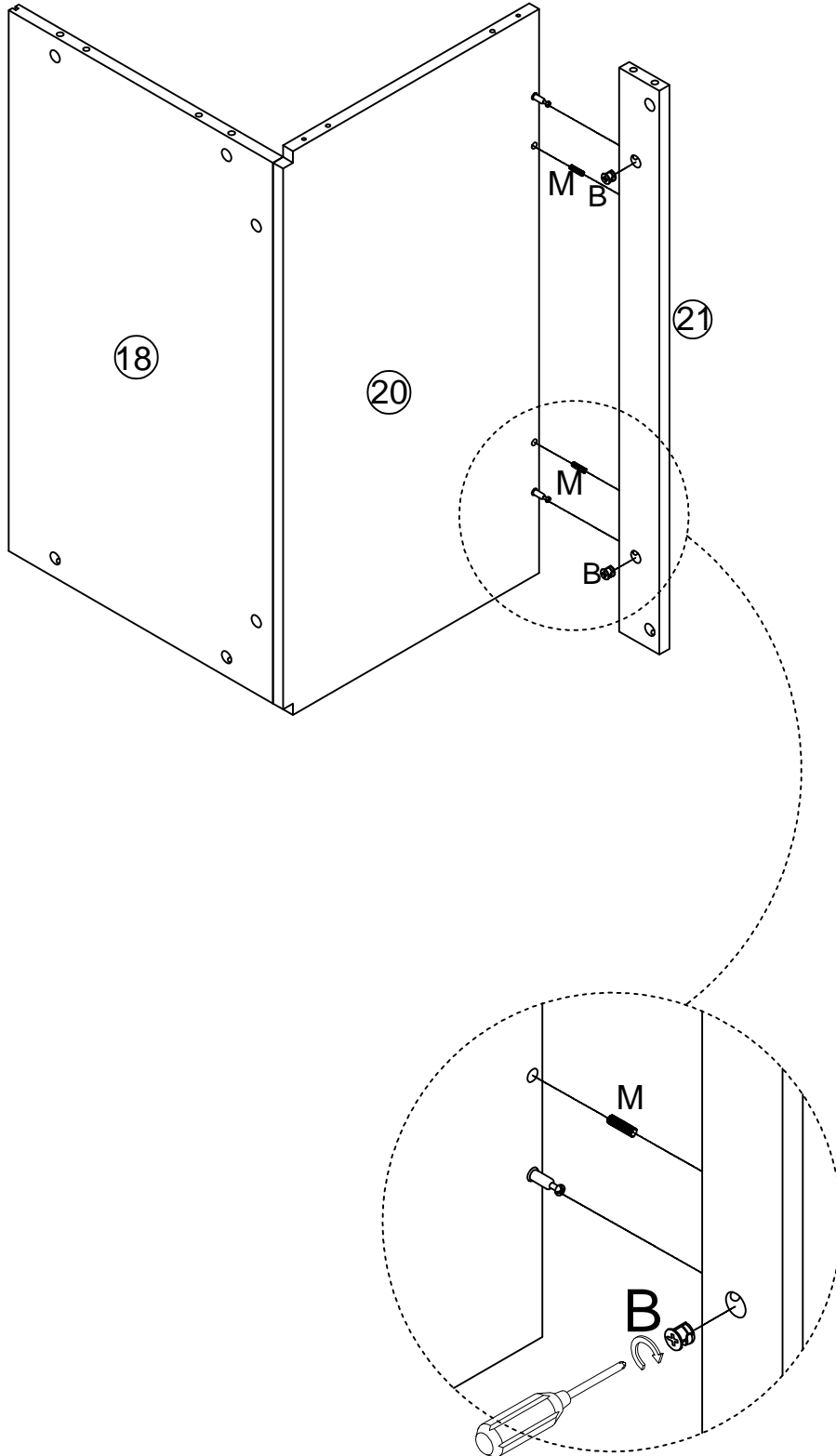
Step 13

M	B
	
X2	X2





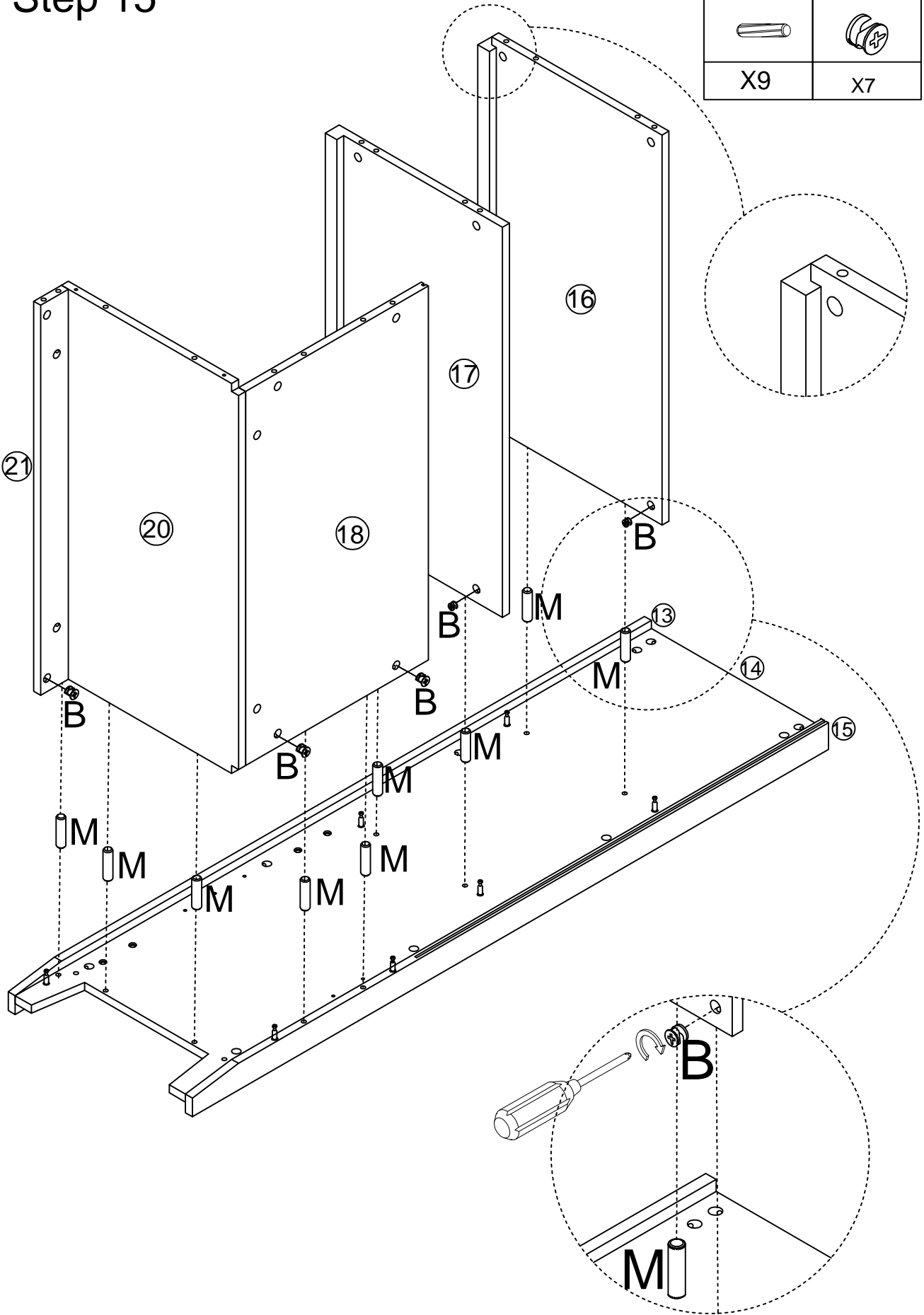
Step 14

M	B
	
X2	X2

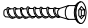



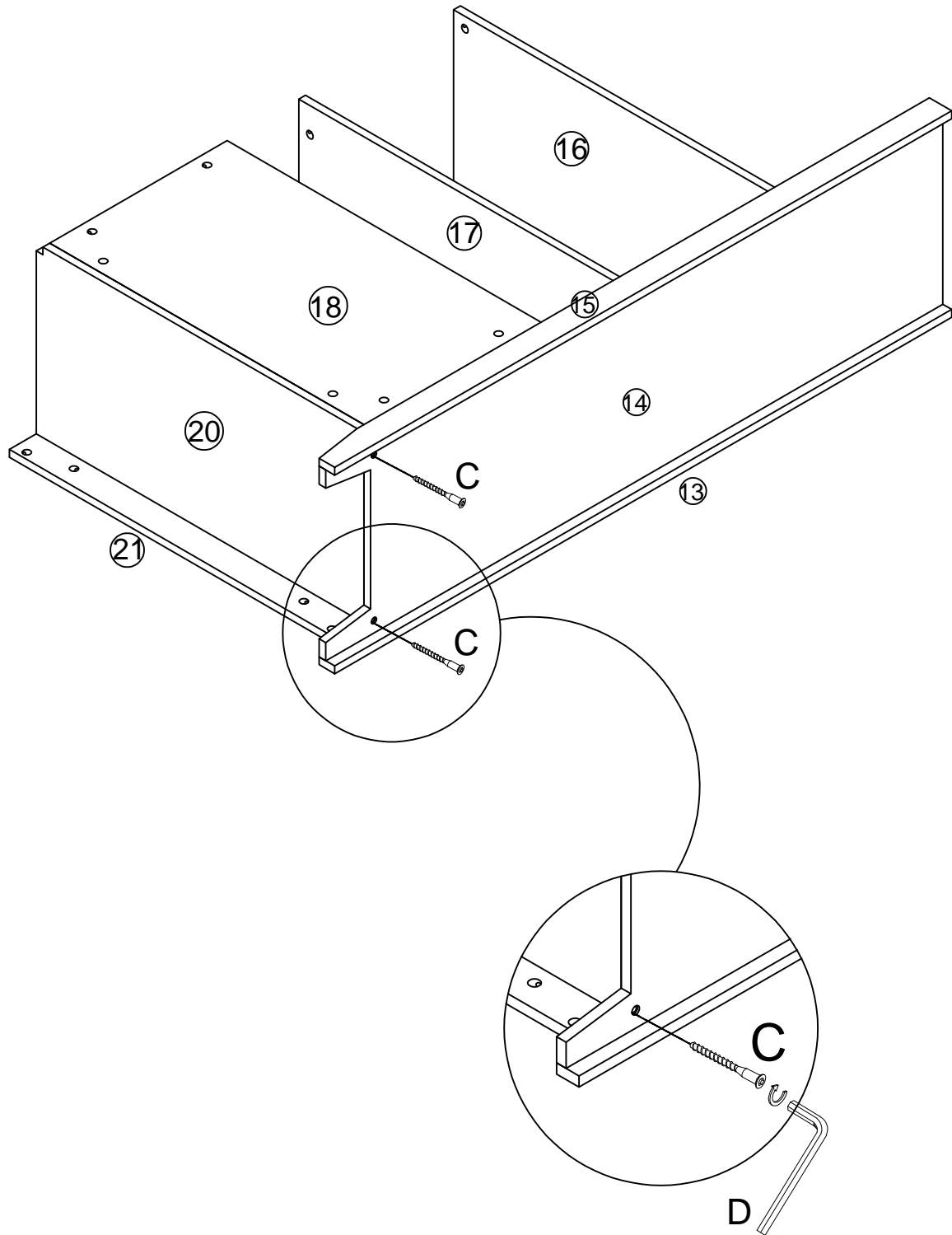
Step 15

M	B
	
X9	X7


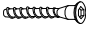




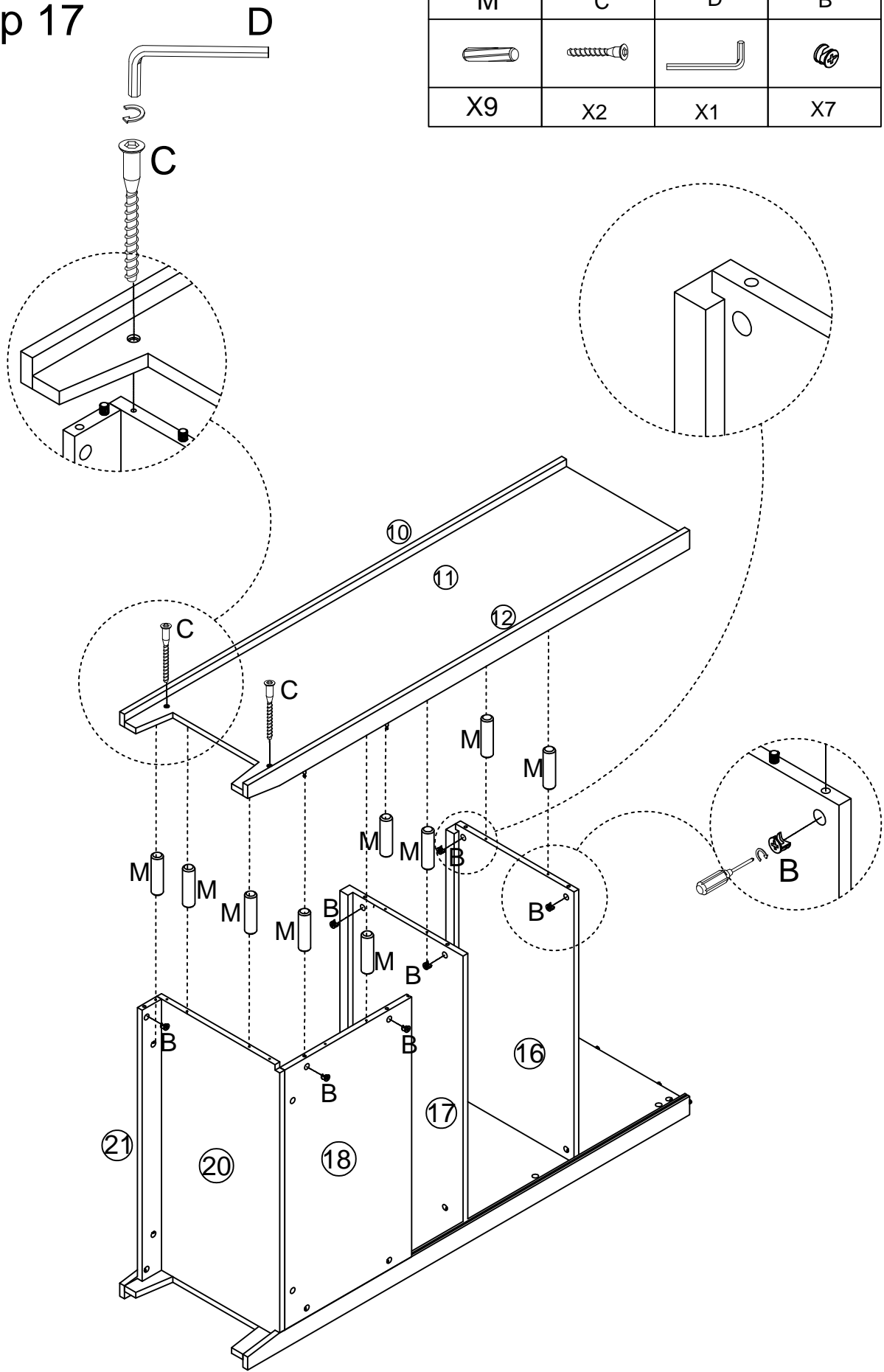
Step 16

C	D
	
X2	X1



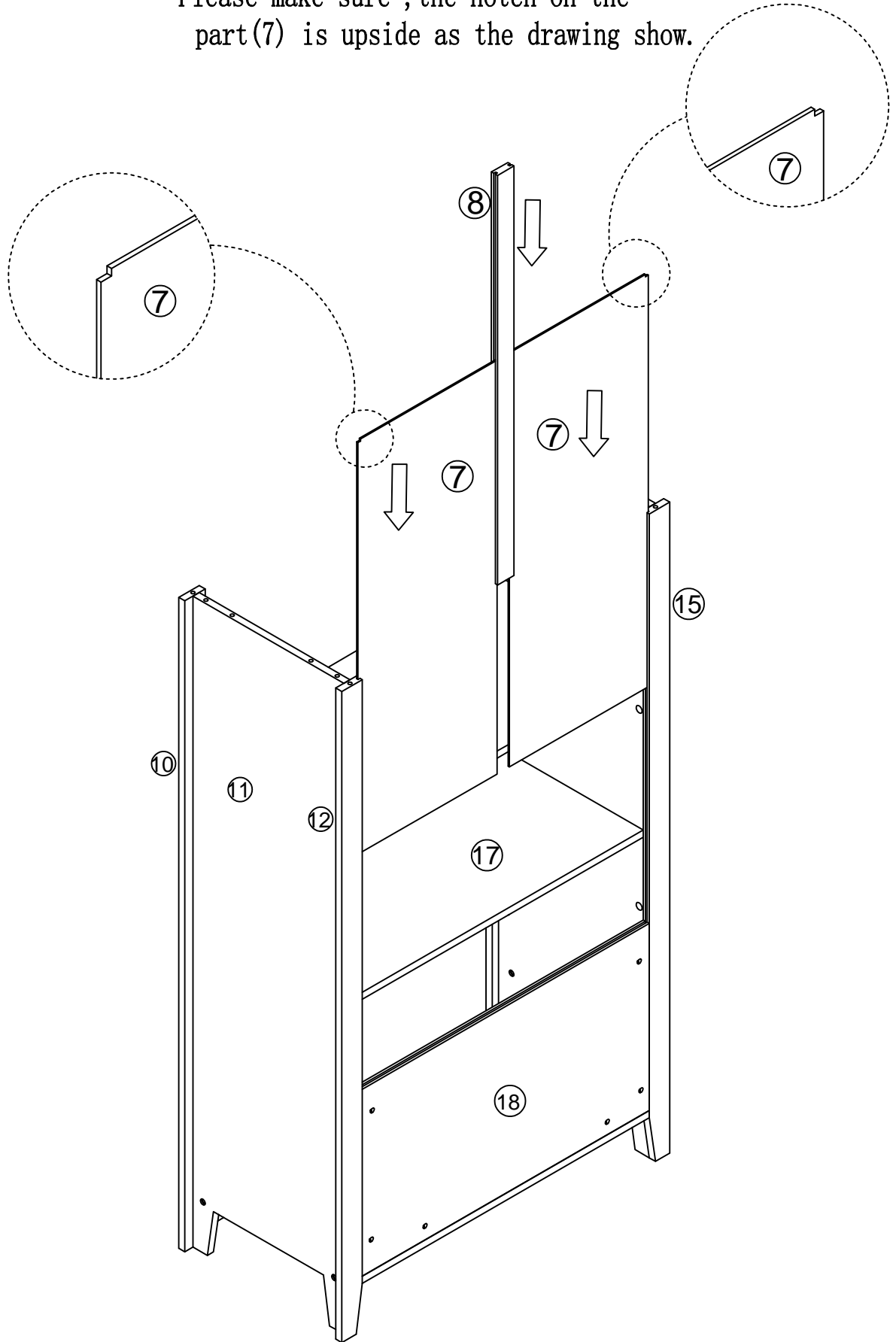
Step 17

M	C	D	B
			
X9	X2	X1	X7





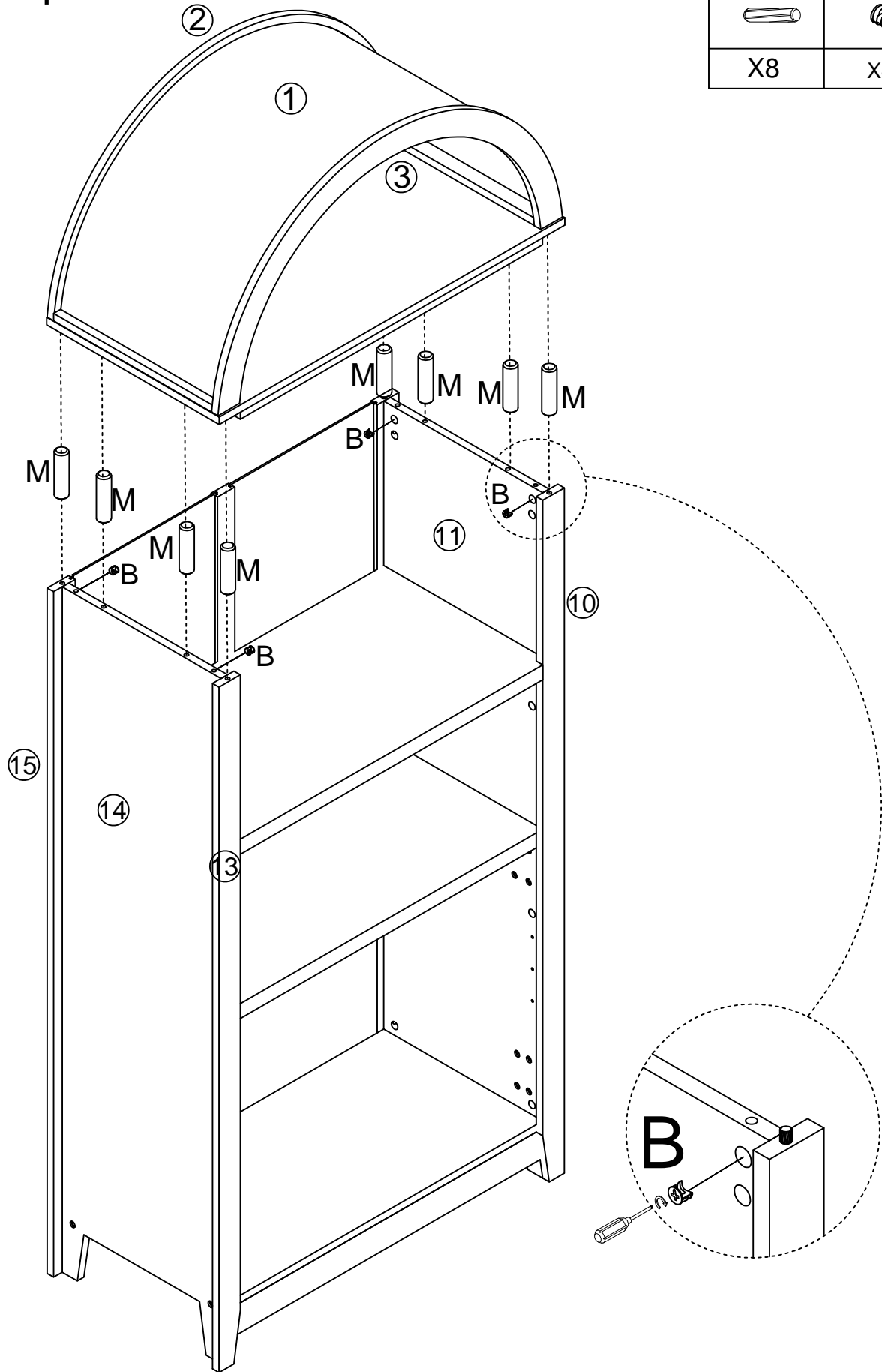
Step 18

Please make sure , the notch on the part(7) is upside as the drawing show.



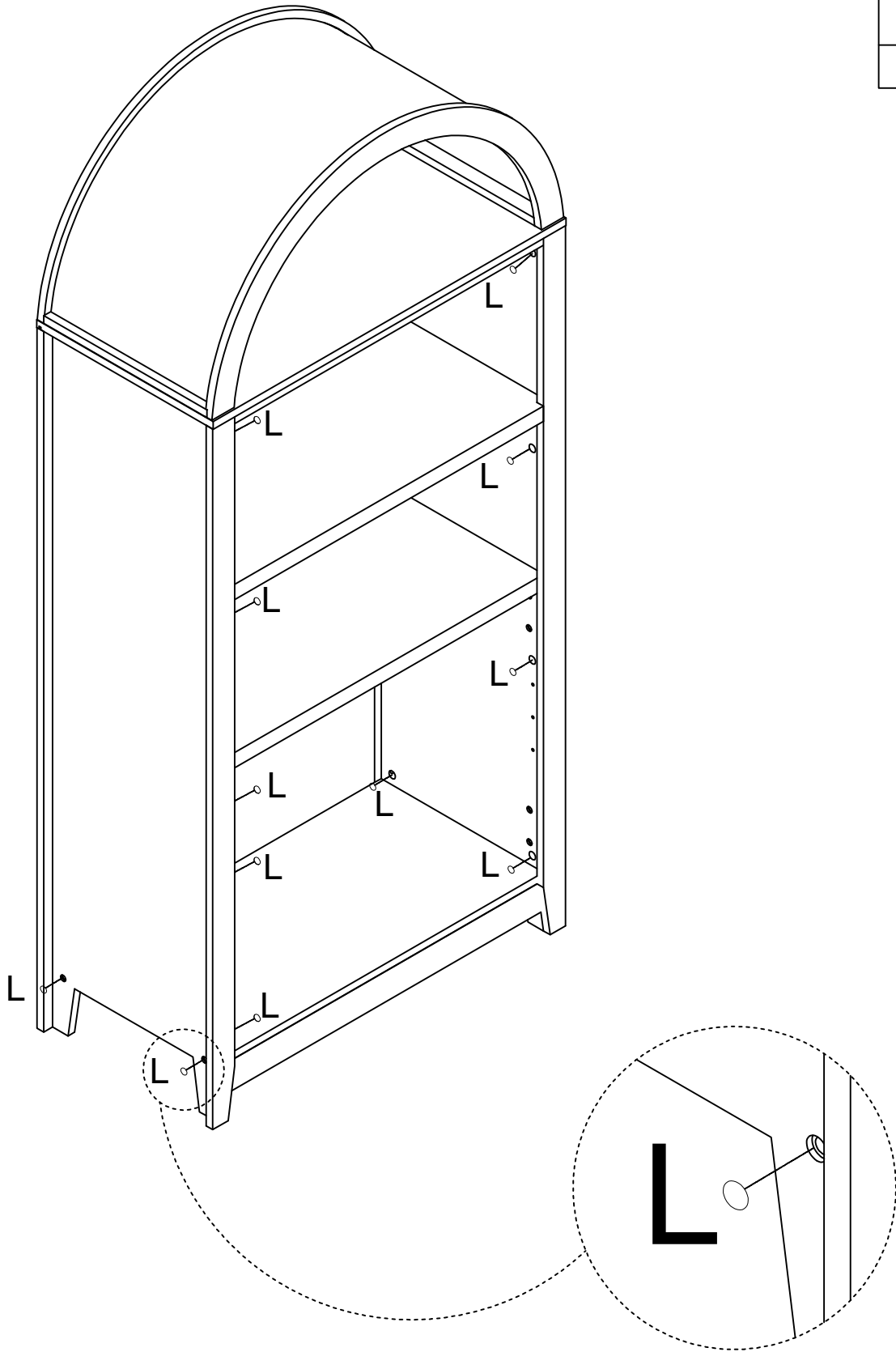
Step 19

M	B
	
X8	X4





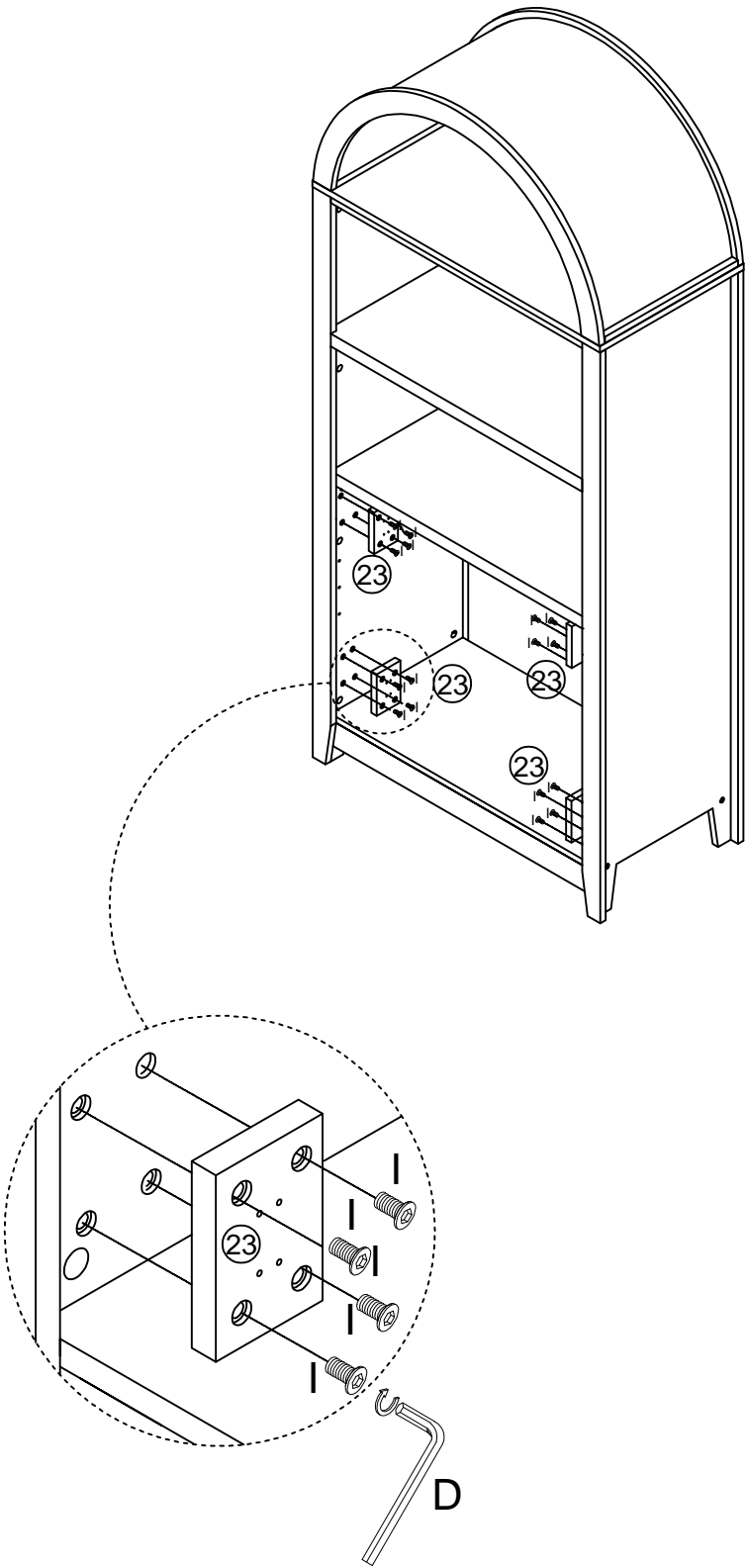
Step 20

L
O
X51




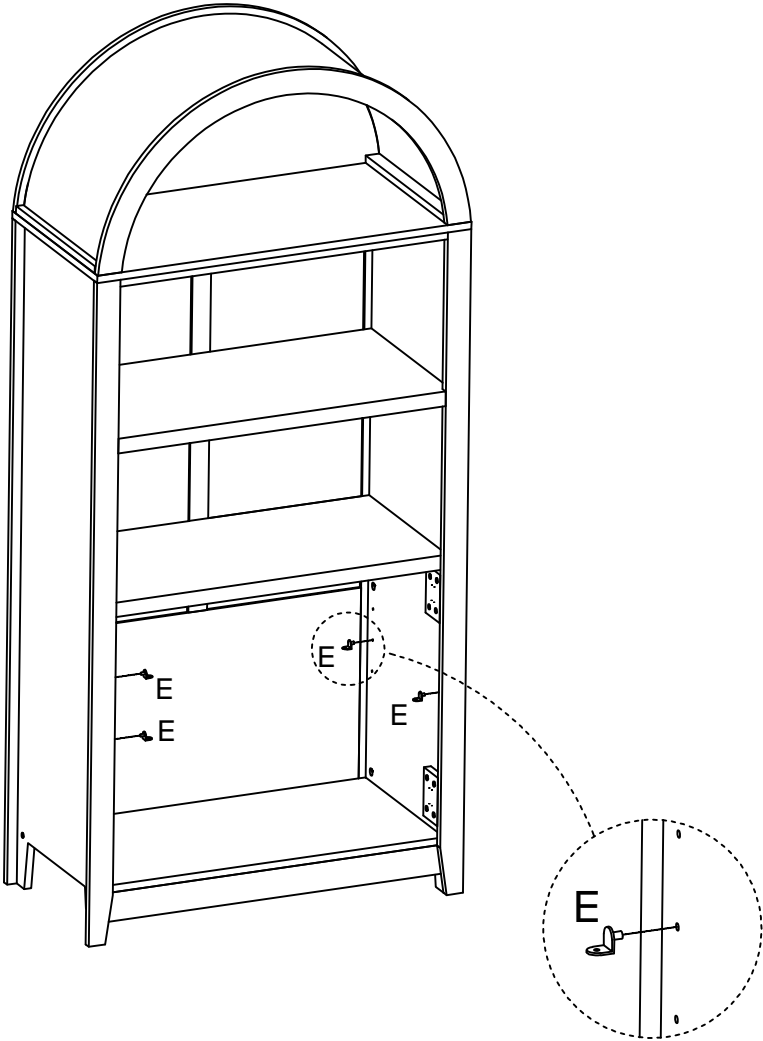
Step 21

I	D
	
X16	X1

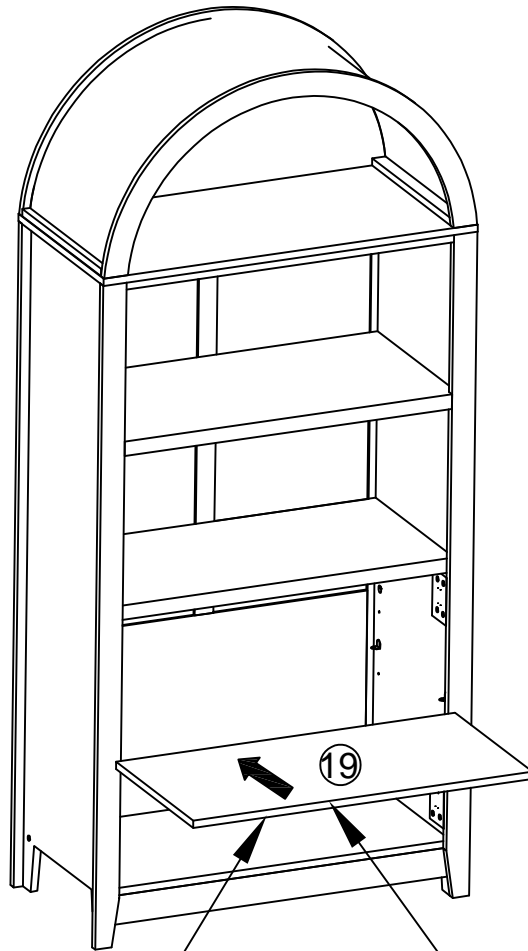


Step 22

E

X4





Step 23

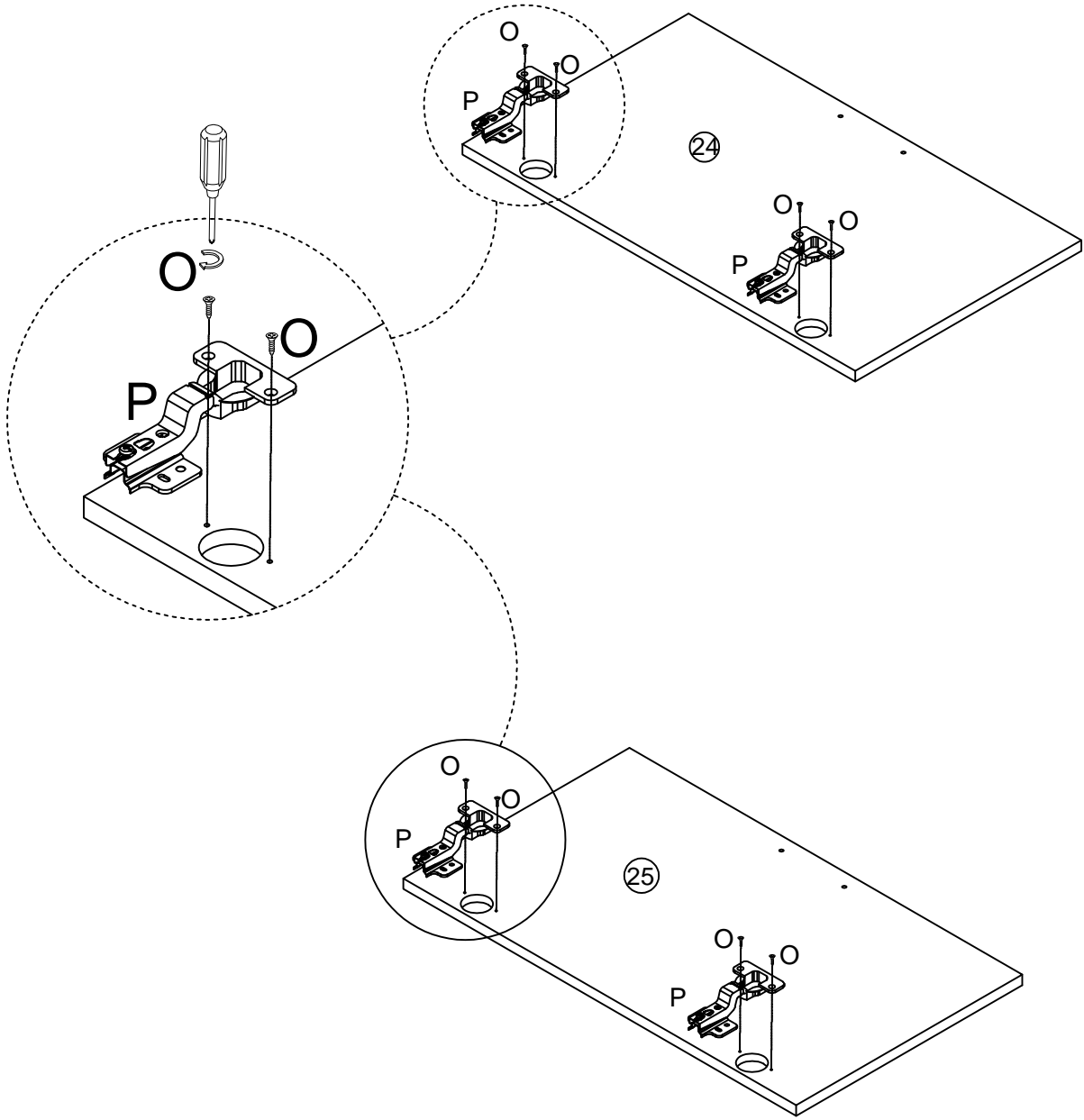


Finished edge

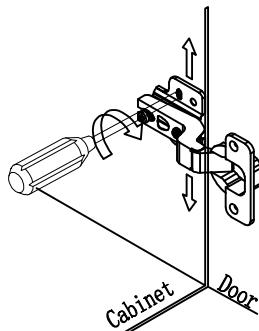
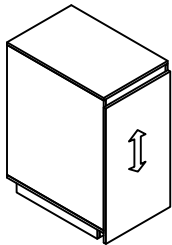
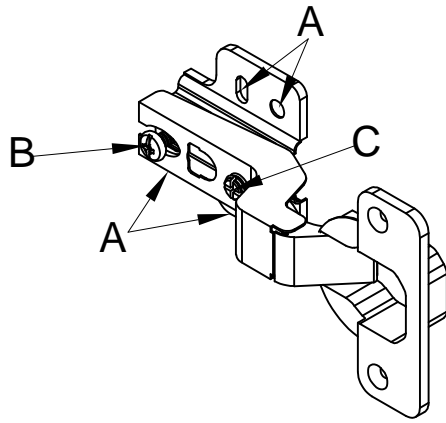
NOTE:
Please insert #19
board before installing
the door.

Step 24

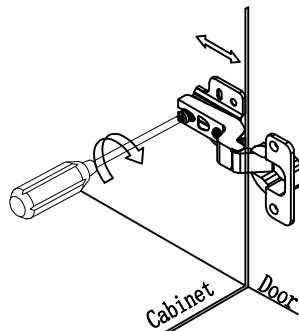
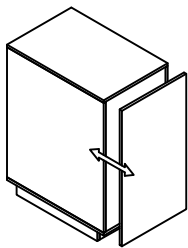
O	P
	
X8	X4



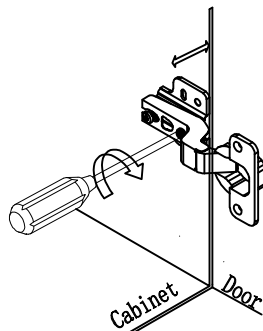
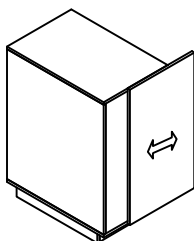
Step 25



To adjust the vertical height.
Loosen the four screws "A" on both hinges
Two of them are usually in slotted holes which allows you to adjust up or down by a few mm.
Then tighten back up




To adjust depth.
Loosen screws "B" and adjust door, if the door can not be adjusted, please loose screw "C", then try again. Tighten screw "B" and "C".

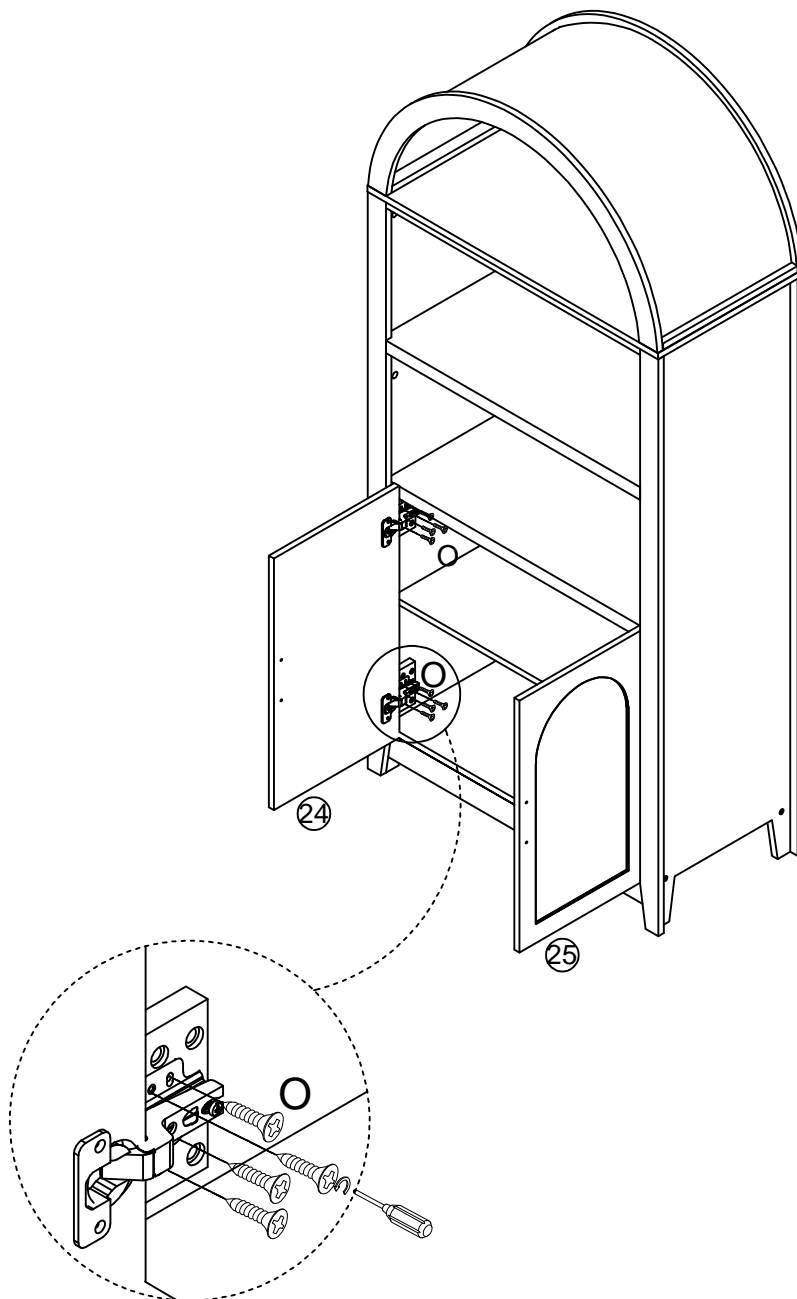


To adjust side ways.
Turning the screw "C" on BOTH hinges on each door.

Step 26


NOTE: The left door is #24 and the right door is #25.

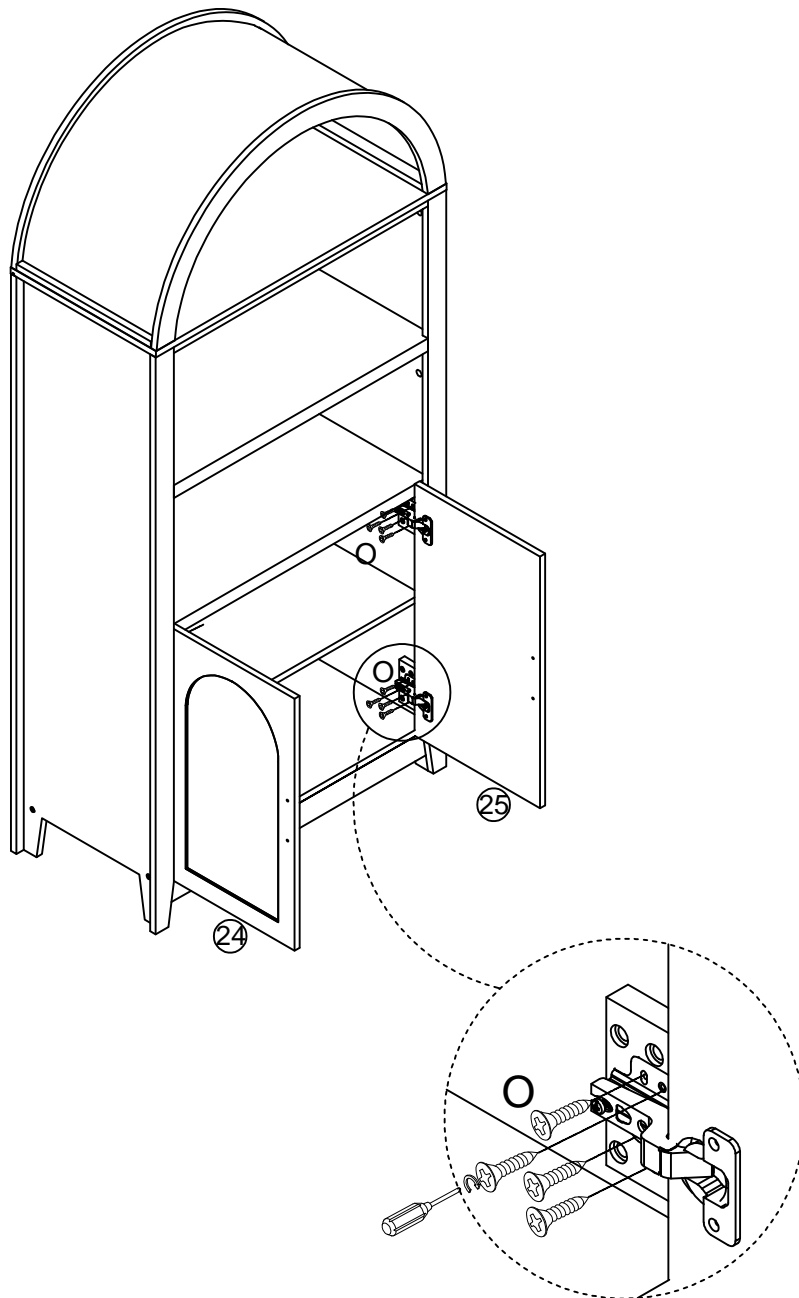
○

X8



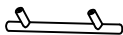

Step 27

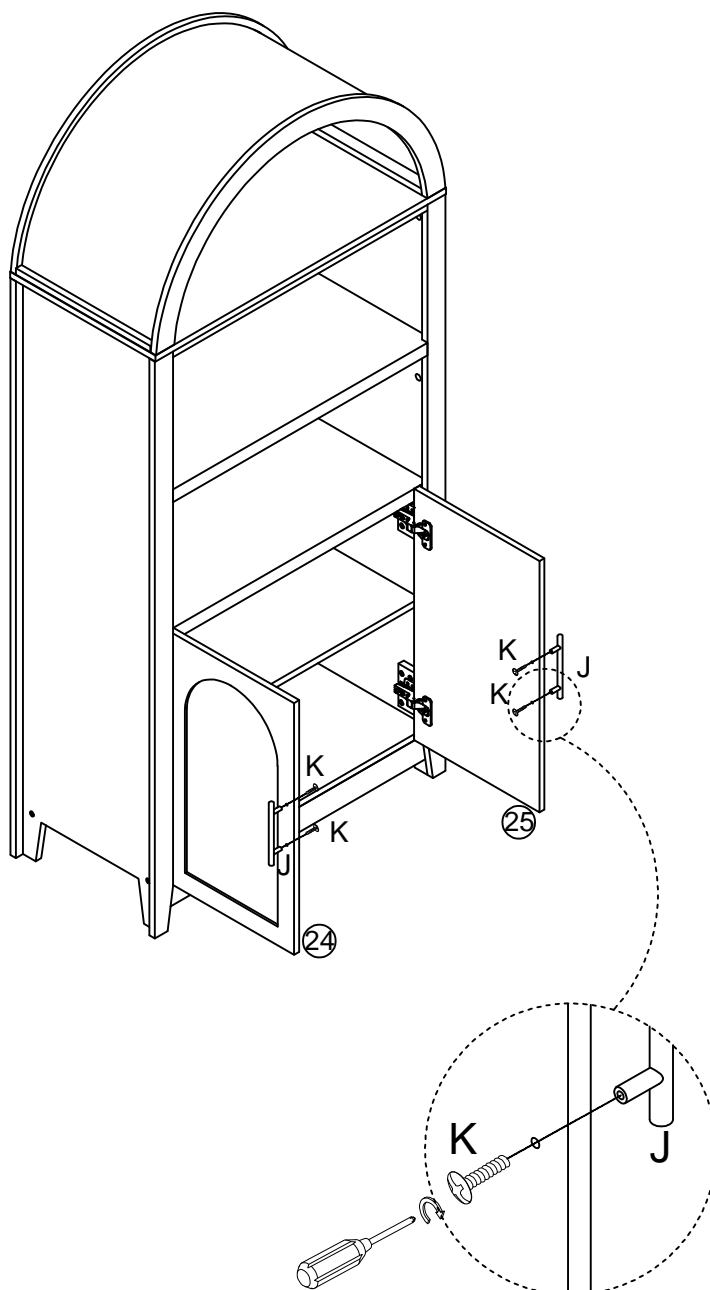
NOTE: The left door is #24 and the right door is #25.

○

X8

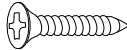
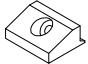


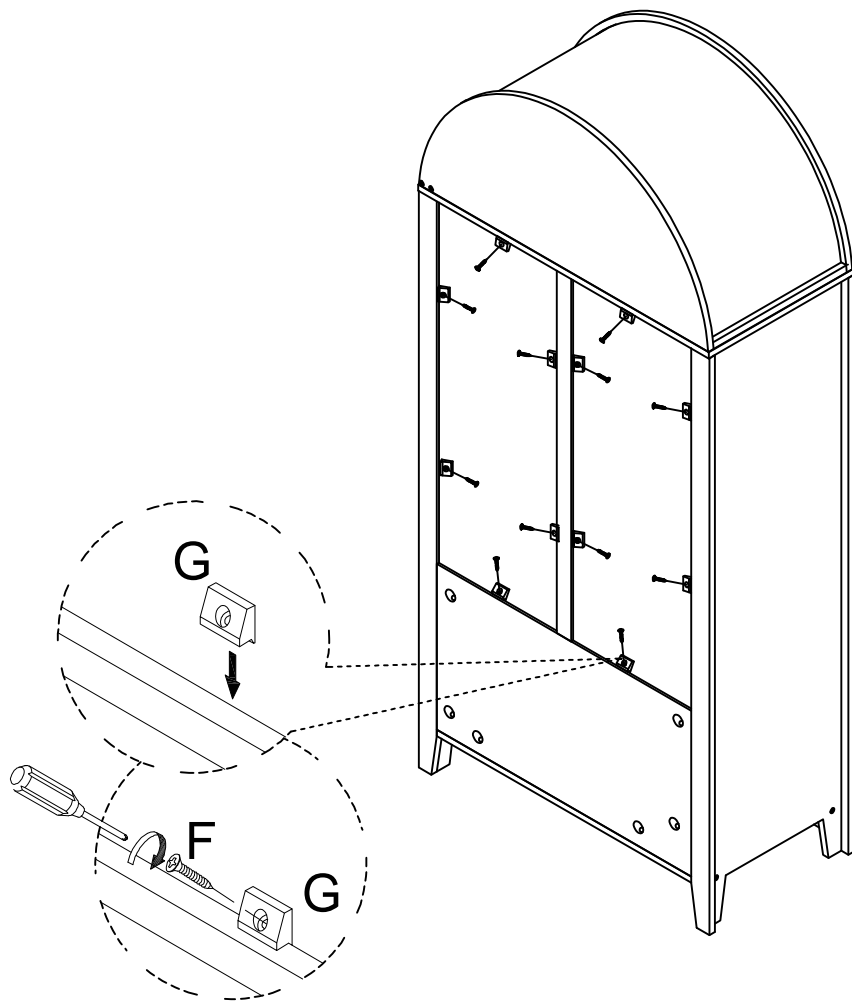
Step 28

J	K
	
X2	X4

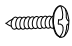



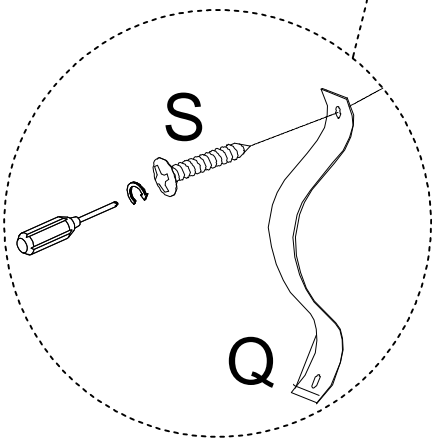
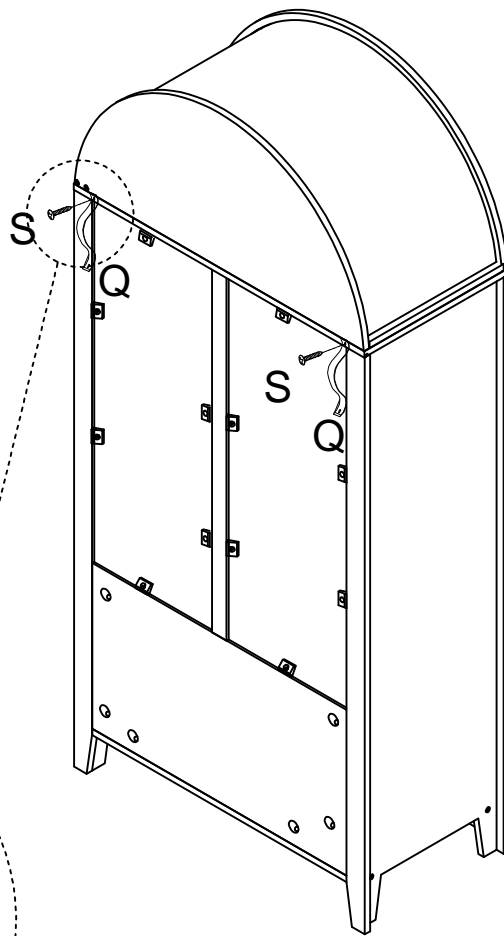
Step 29

F	G
	
X12	X12



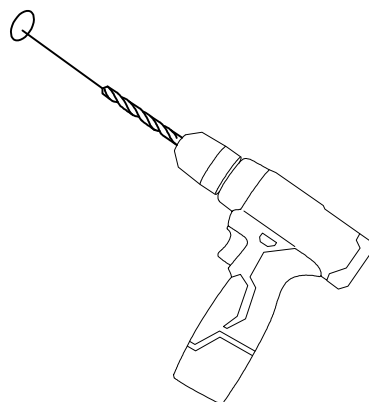
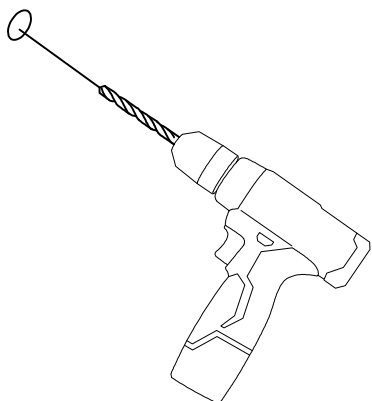
Step 30

S	Q
	
X2	X2



Step 31

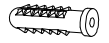
Wall



Make FOUR holes 30MM deep

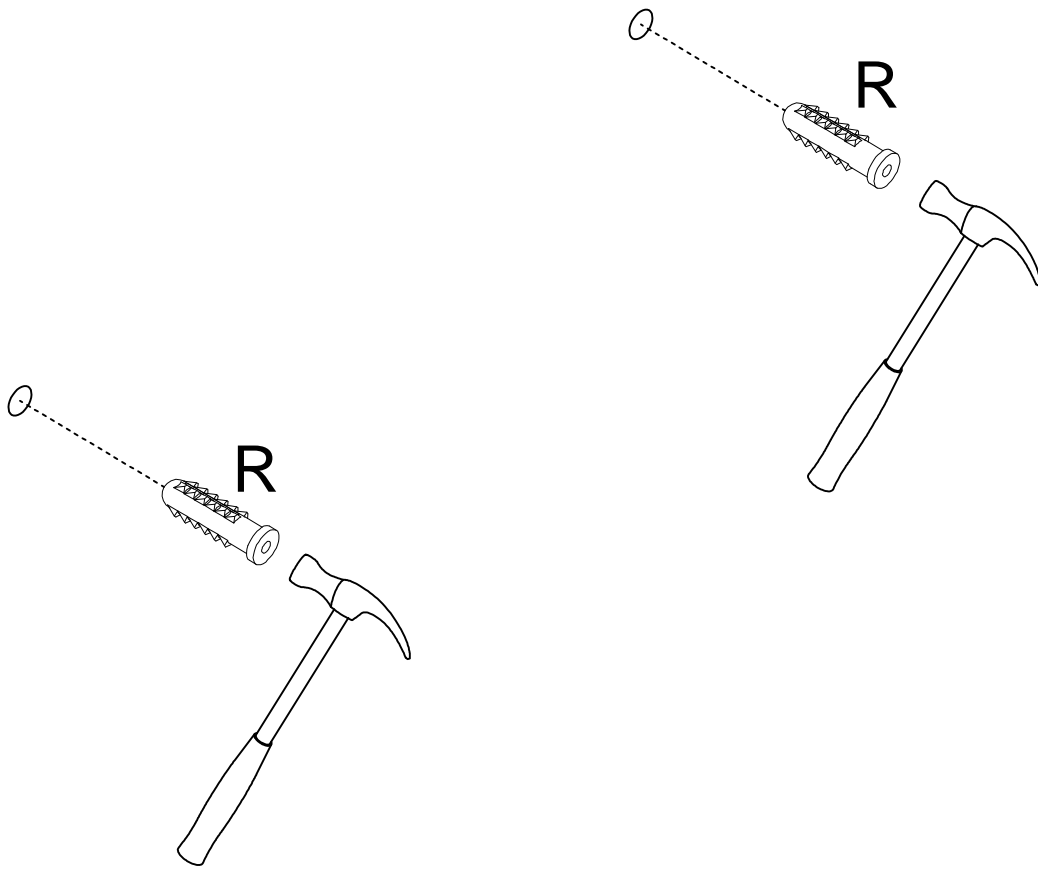
Step 32

R



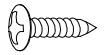
X2

Wall

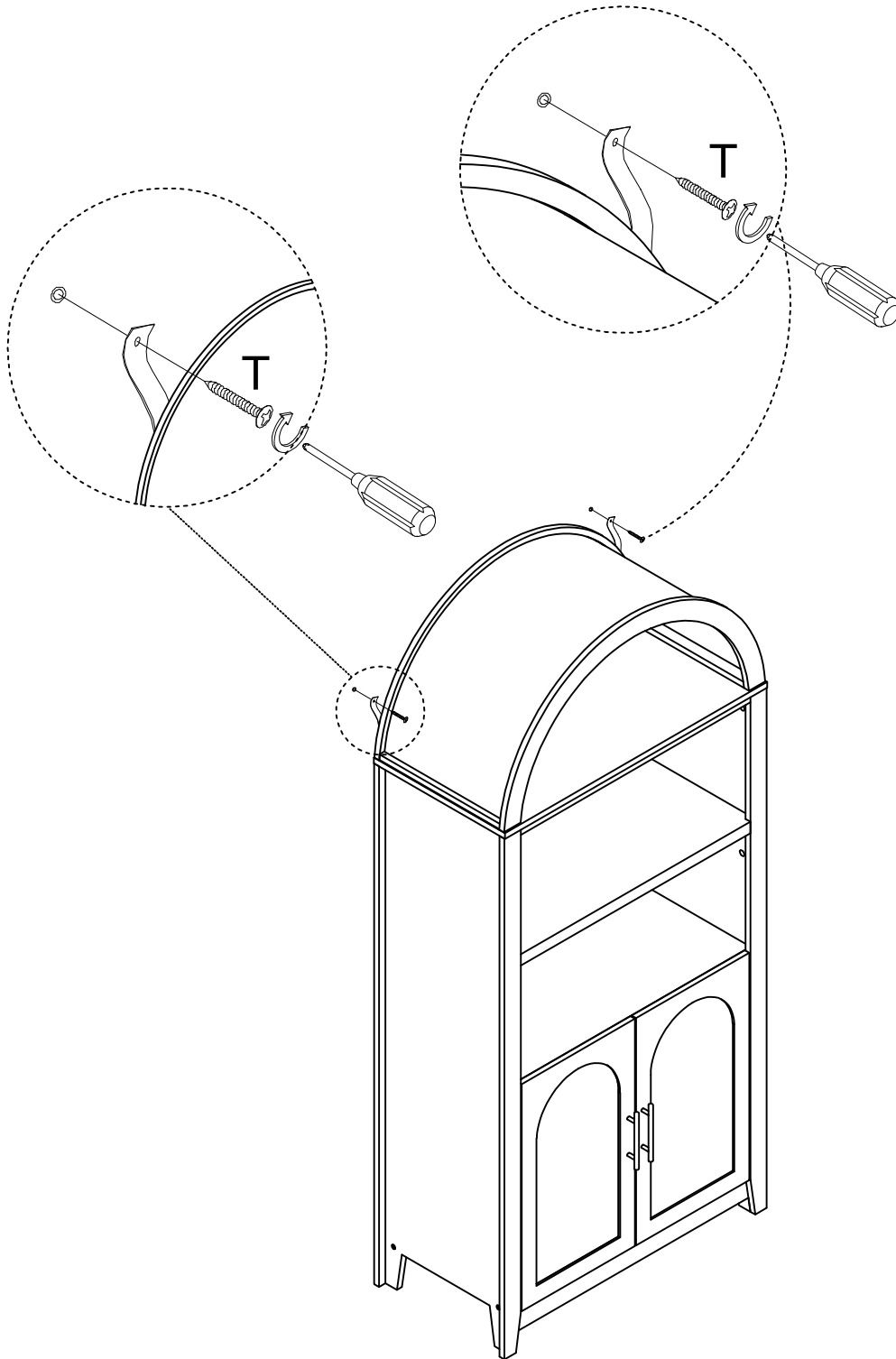


Step 33

T



X2



Step 34

