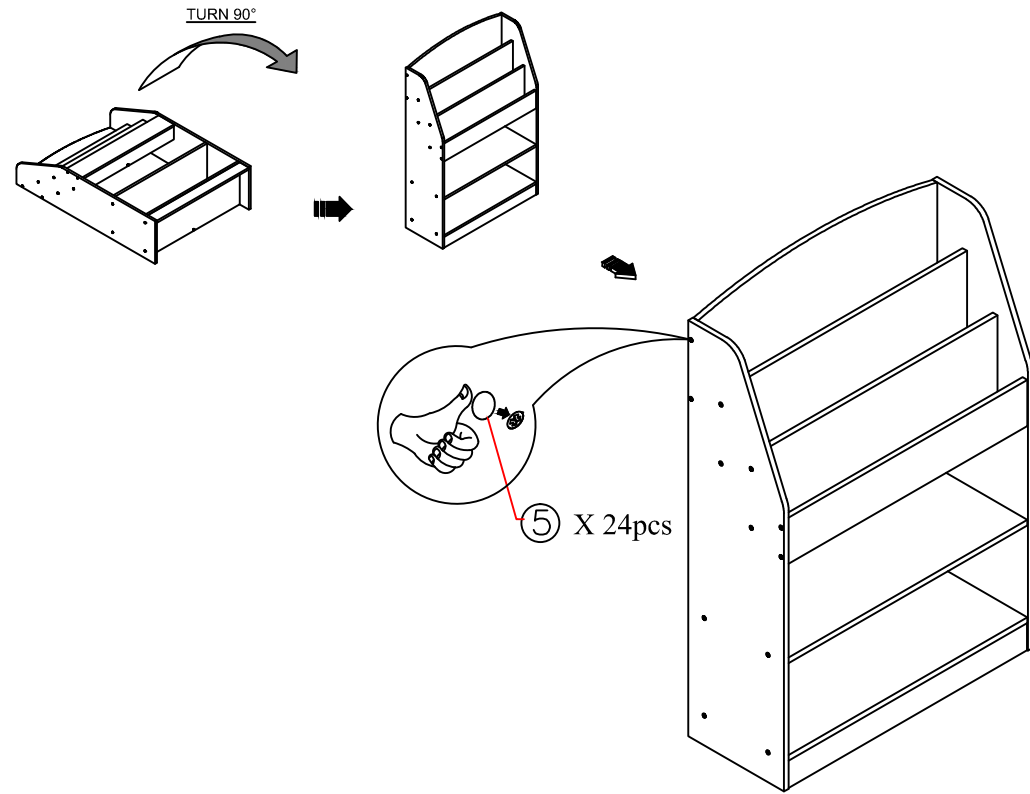
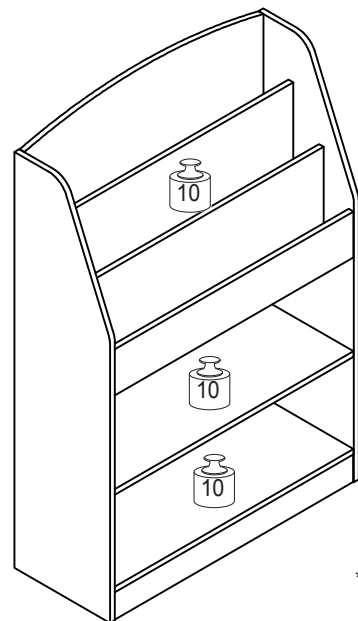


STEP 11



STEP 12



*Unit in Pound(lbs)

WARNING:

>This unit has been designed to support the maximum loads shown. Exceeding these load limits could cause sagging, instability, product collapse, and/or serious injury.

>DO NOT allow children to climb on unit.

>Put heavier items on lower shelves.

Assembly Instruction

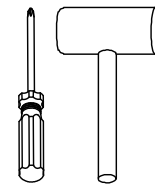
Furinno Magazine/Bookshelf with
Toy Storage

00:30

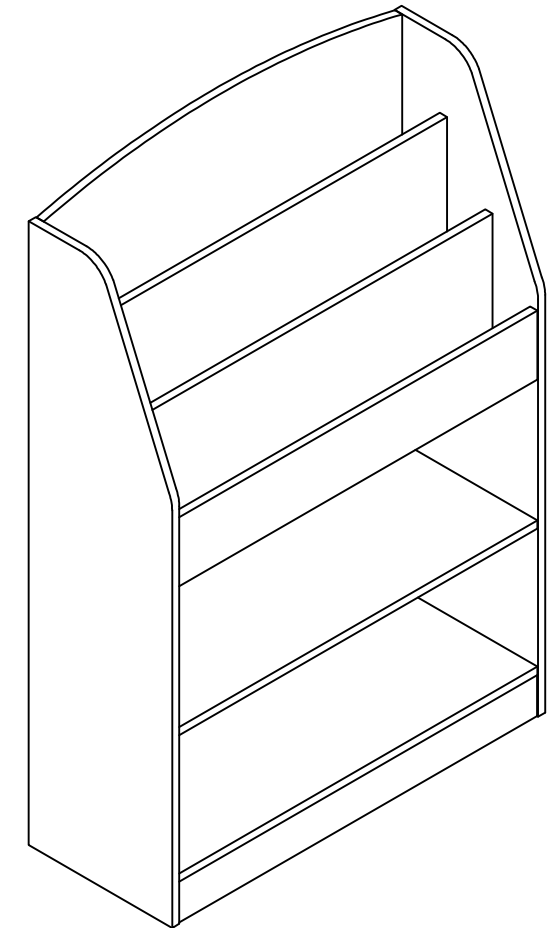
Approx. 30 minutes



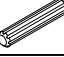




Recomm. 2 Person

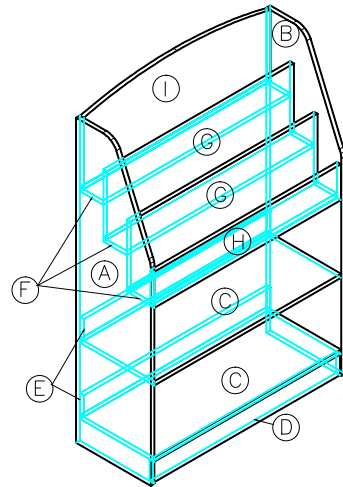


Tool Required



NO	HARDWARE LIST	QTY
1	Long Screw 	29pcs
2	Short Screw 	4pcs
3	Dowel 	20pcs
4	L Bracket 	2pcs
5	Stickers 	24pcs

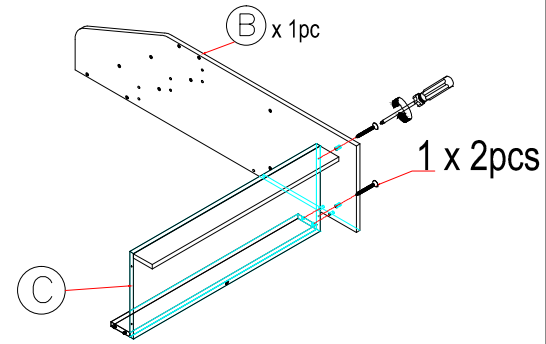
NO	PARTS LIST	QTY
A	LEFT SIDE PANEL	1pc
B	RIGHT SIDE PANEL	1pc
C	LARGE SHELF PANEL	2pcs
D	FRONT SUPPORT PANEL	1pc
E	BACK SUPPORT PANEL	2pcs
F	SMALL SHELF PANEL	3pcs
G	LARGE DIVIDER PANEL	2pcs
H	SMALL DIVIDER PANEL	1pc
I	BACK PANEL	1pc



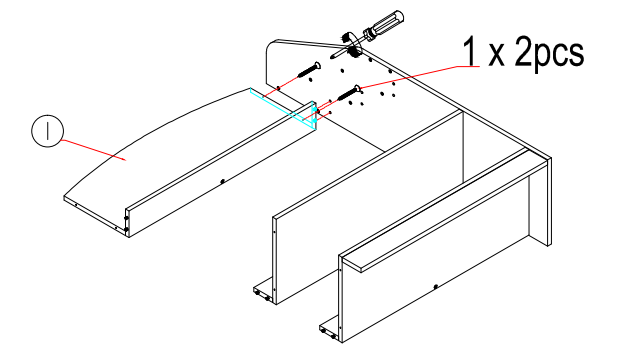
USEFUL HINTS BEFORE YOU START:

1. Read each step carefully before starting.
2. It is important that each step is performed in correct order to avoid difficulties.
3. Identify, sort and count the parts before assembly.
4. Assemble your furniture on packaging cardboard to prevent scratch or damage.
5. Clean the product with mild cleanser using soft damp cloth. Do not use harsh or abrasive cleanser.
6. Using incompatible hardware might cause damage to product.

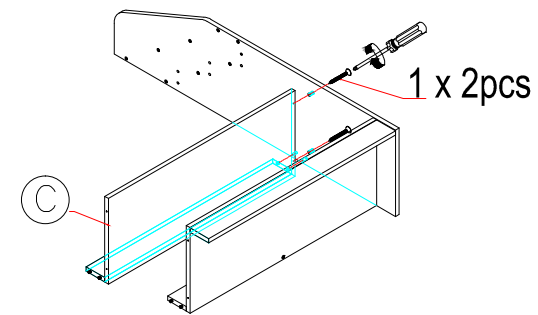
STEP 4



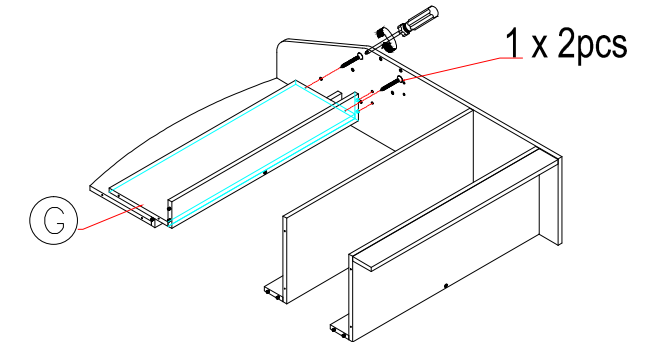
STEP 6



STEP 5

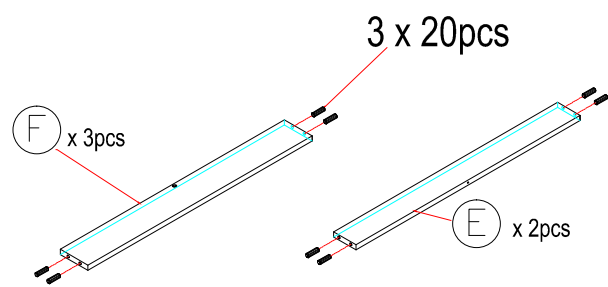


STEP 7

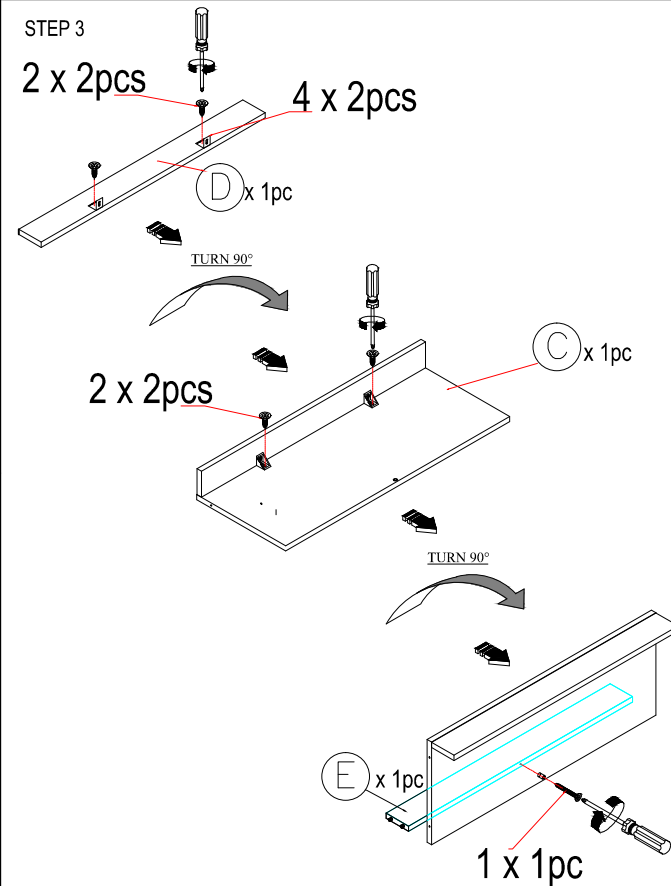


STEP 1

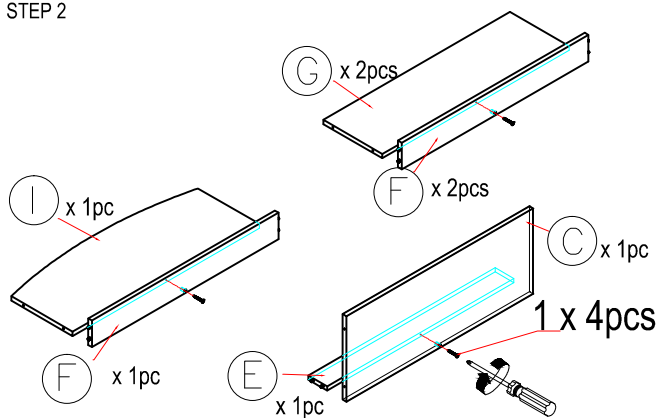
ASSEMBLY INSTRUCTION



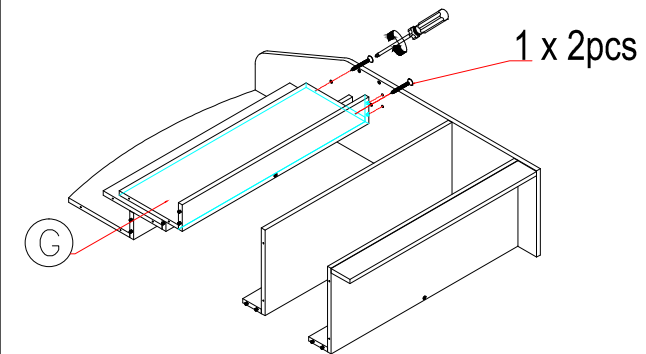
STEP 3



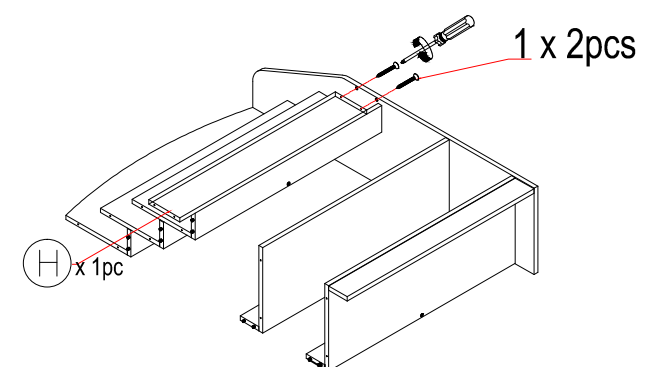
STEP 2



STEP 8



STEP 9



STEP 10

