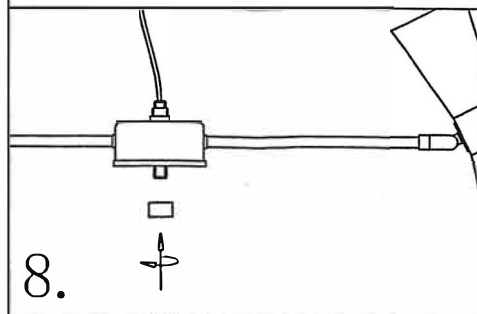
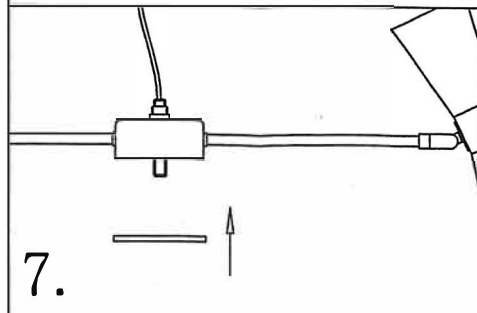
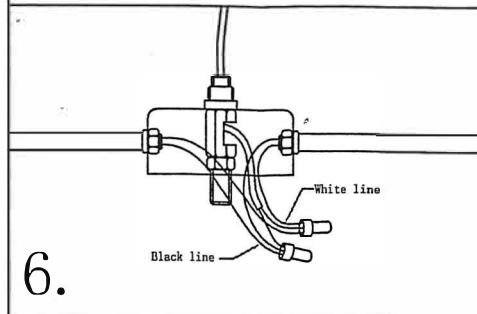
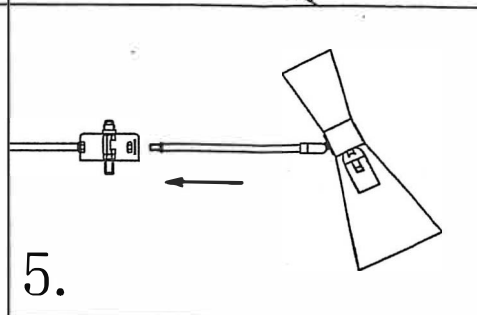
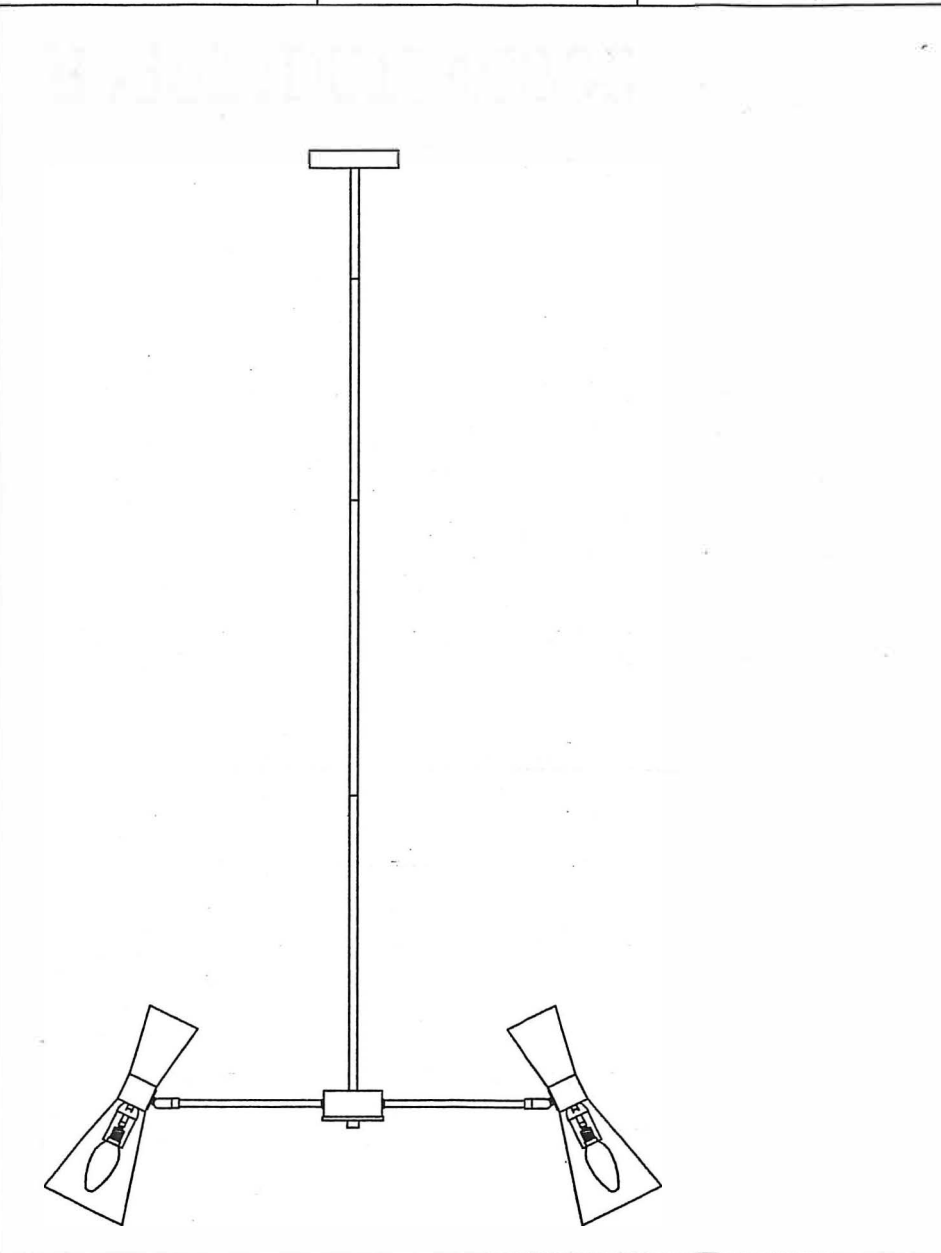
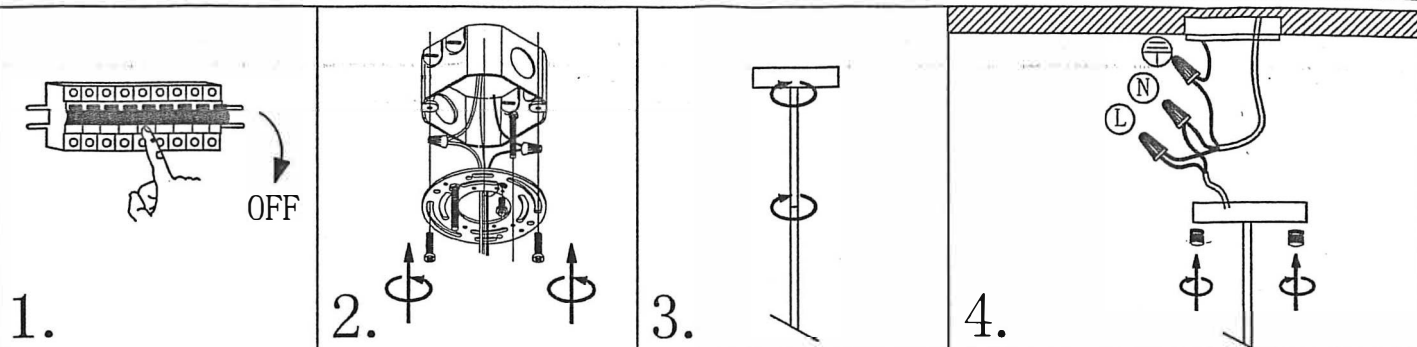


# Installing Instructions



**NOTE:**  
 1: This lighting only can be use in room.  
 2: Do not turn switch on before Assembly.  
 3: If you want change bulb, please turn switch off, and after the bulb is cold.  
 Voltage: 110V  
 Bulb: E12

