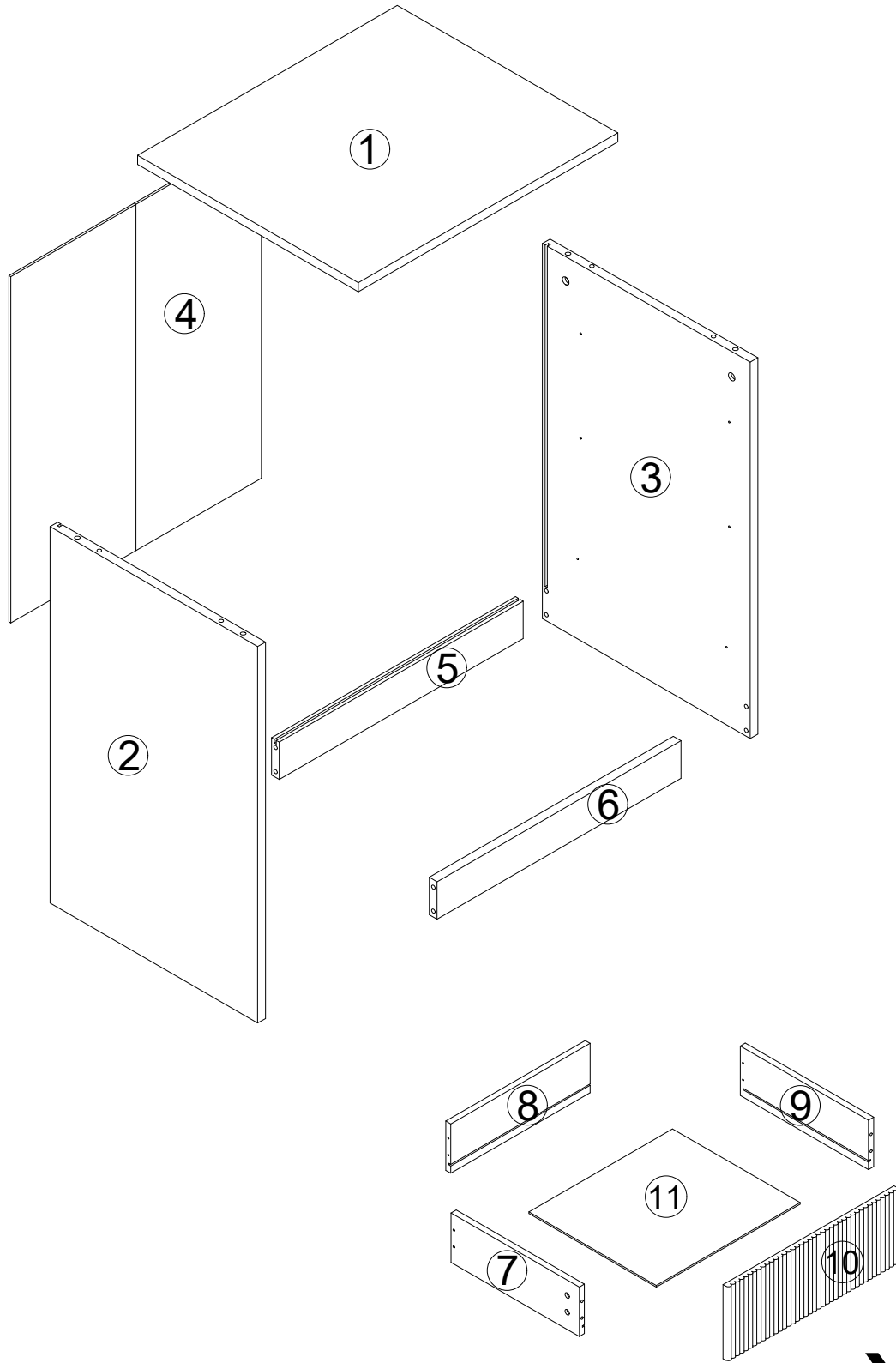
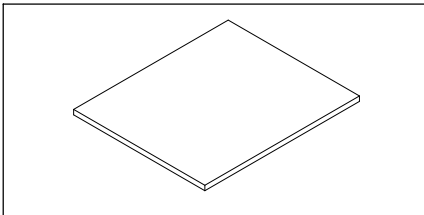


# **Installation instruction**

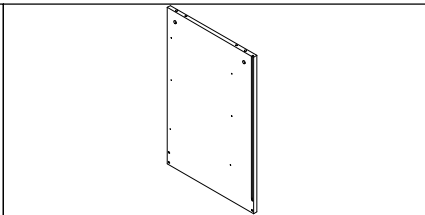


**X3**



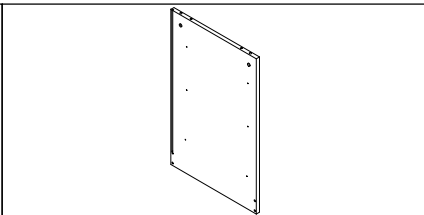
①

1pcs



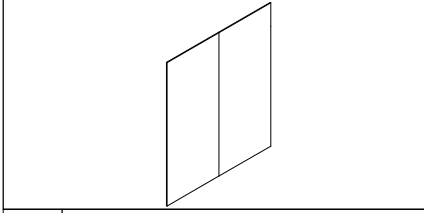
②

1pcs



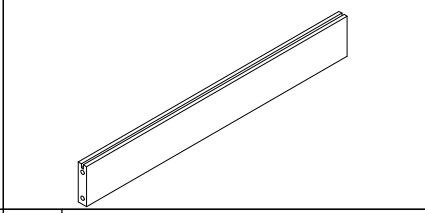
③

1pcs



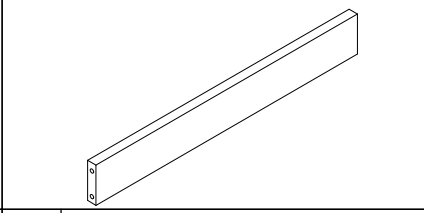
④

1pcs



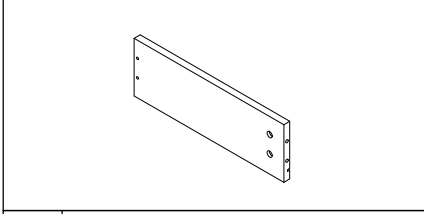
⑤

1pcs



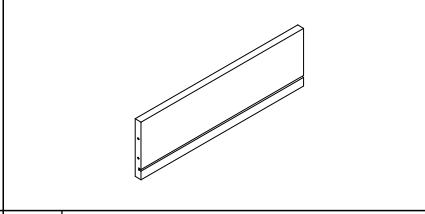
⑥

1pcs



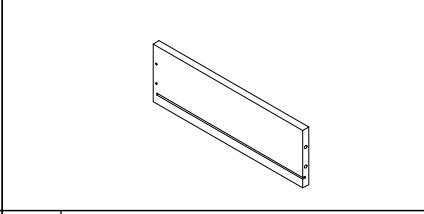
⑦

3pcs



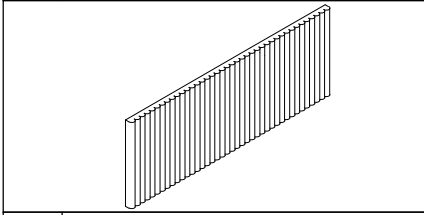
⑧

3pcs



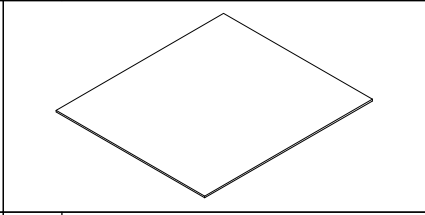
⑨

3pcs



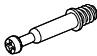


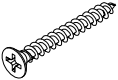

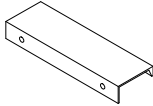


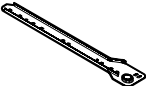
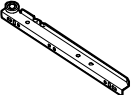
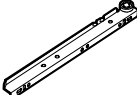
⑩

3pcs



⑪

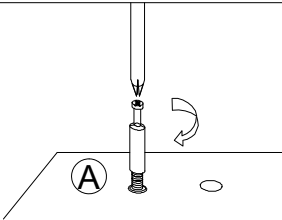
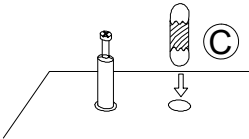
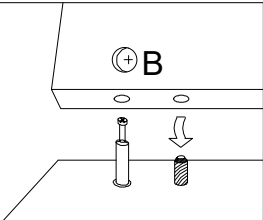
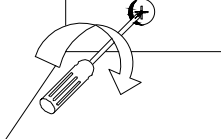
3pcs

|    |   |   |   |   |      |    |         |
|----|---|---|---|---|------|----|---------|
|    | <br>Cam bolt | <br>Cam Lock | <br>6x30mm<br>Wood dowel | <br>4x30mm |      |    |         |
| A  | 24+2pcs   | B   | 24+2pcs   | C   | 4pcs | D  | 12+1pcs |
|    | <br>3x12mm   |              | <br>3x16mm               | <br>300mm  |      |    |         |
| E  | 30+2pcs   | F   | 3pcs  | G   | 4pcs | CL | 3pcs    |
|    | <br>300mm    | <br>300mm    | <br>300mm               |   |      |    |         |
| CR | 3pcs  | DL  | 3pcs  | DR  | 3pcs |    |         |

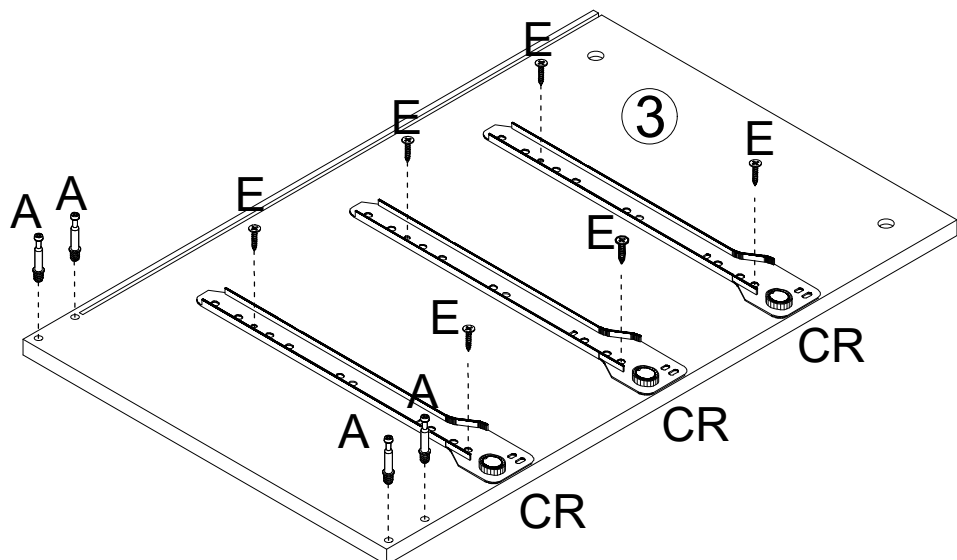
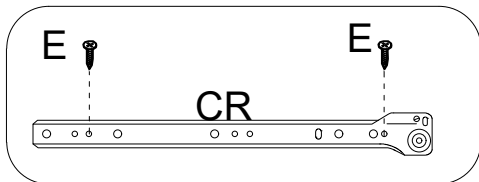
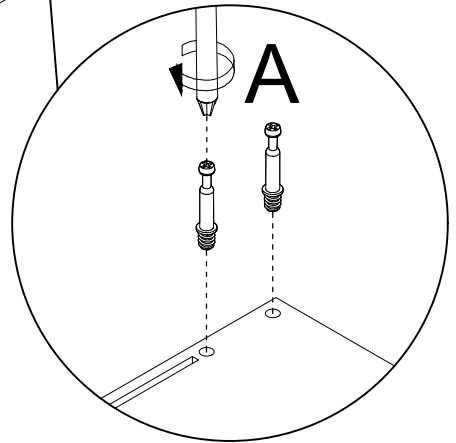
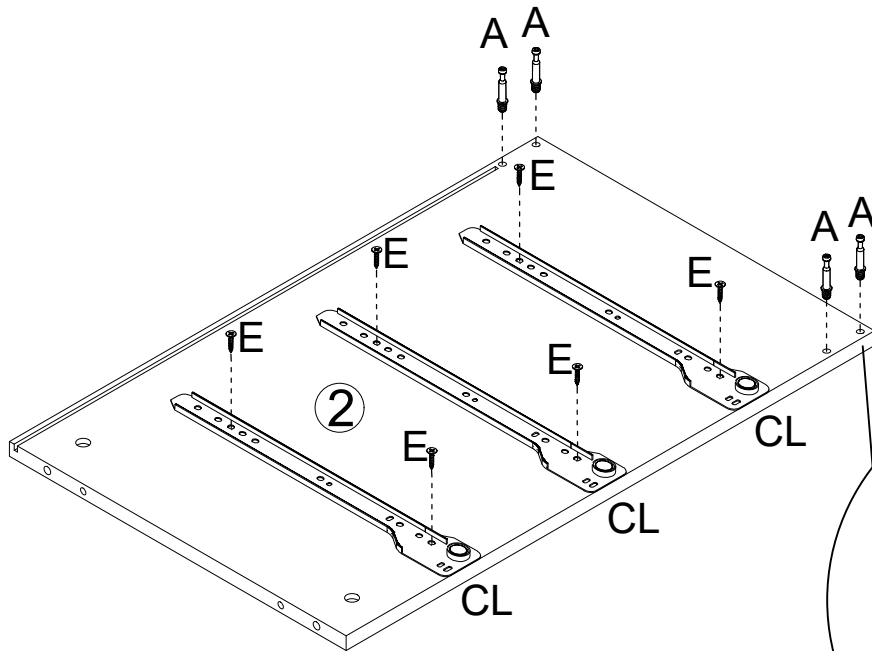
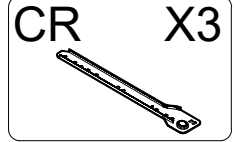
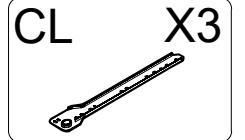
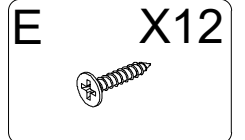
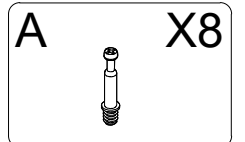
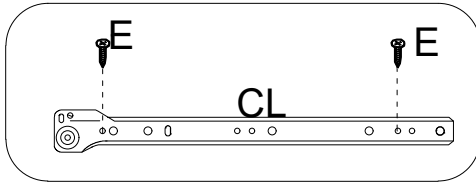


SPARE BAG

THE SPARE BAG INCLUDED EXTRA HARDWARE FOR DAMAGED OR MISSING SMALL HARDWARE WHILE YOU ARE ASSEMBLING

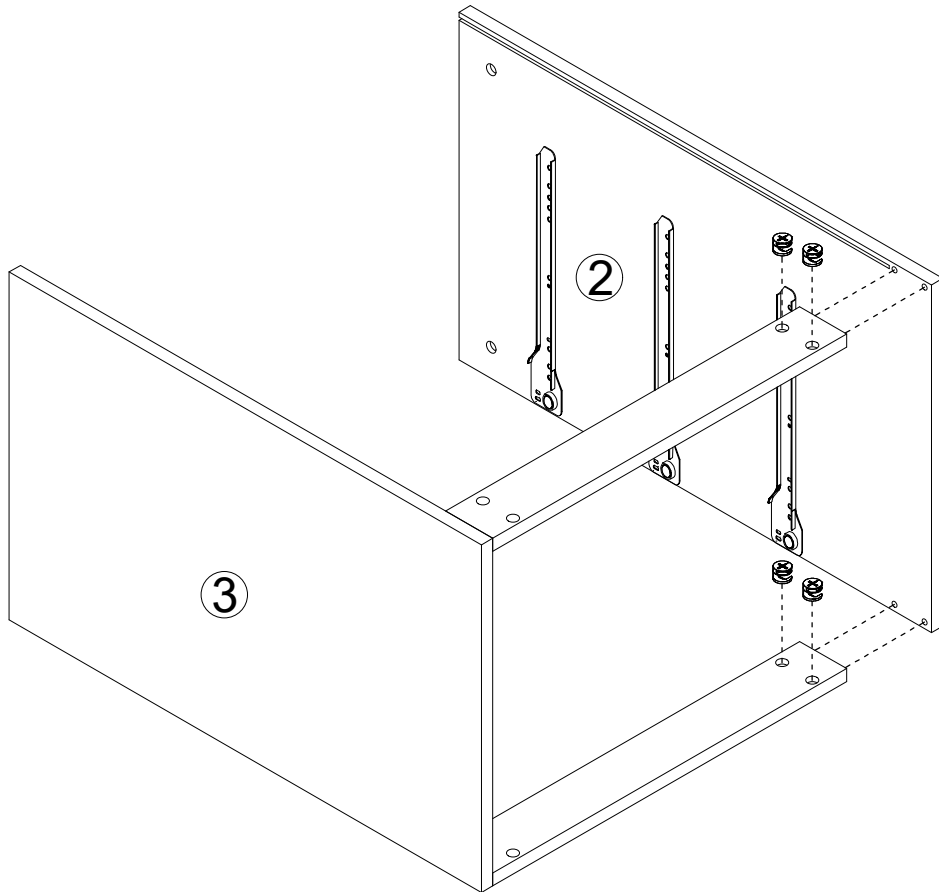
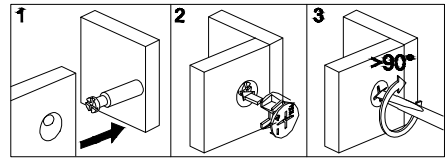
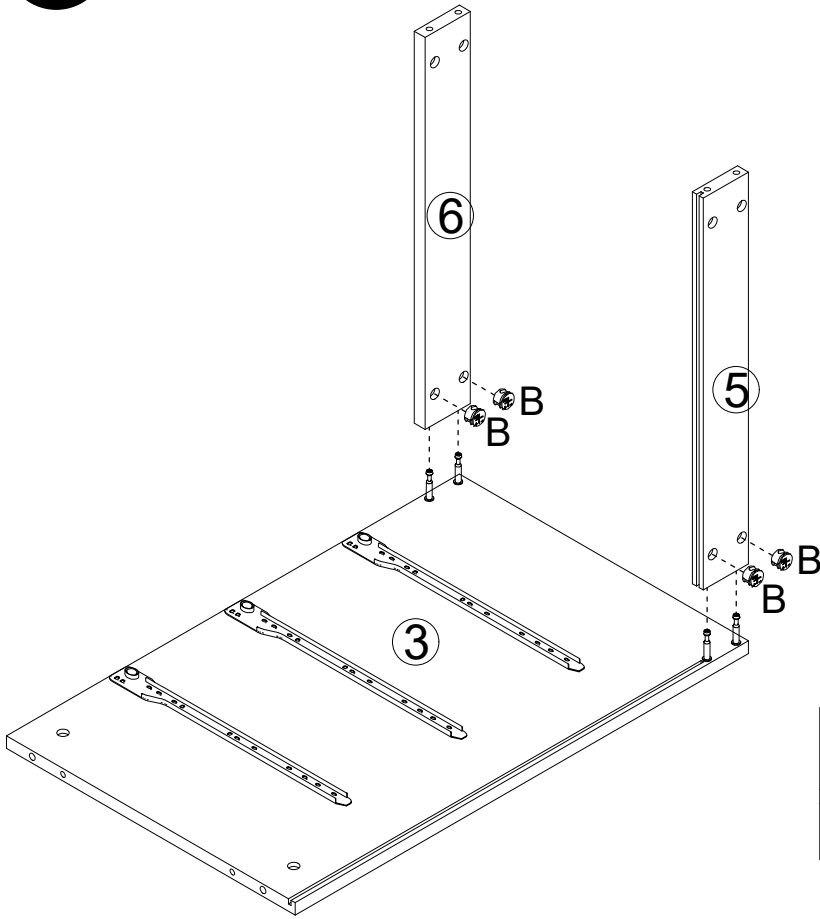
|   |   |  |   |
|---|---|--|---|
|  |  |  |  |
| Gently screw cam bolt into the threaded anchor.                                     | Insert the wood dowel halfway into hole.  |  | Screw the camlock firmly into locked position.  |

1



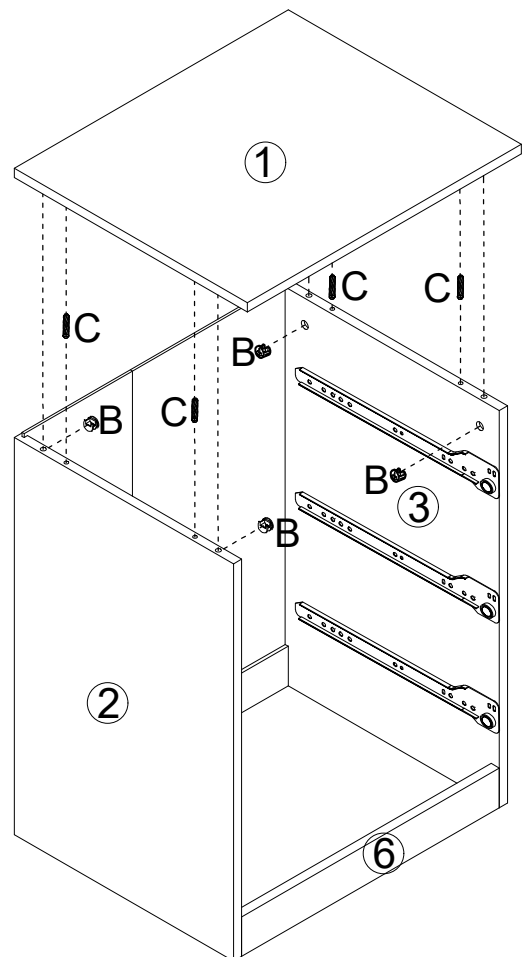
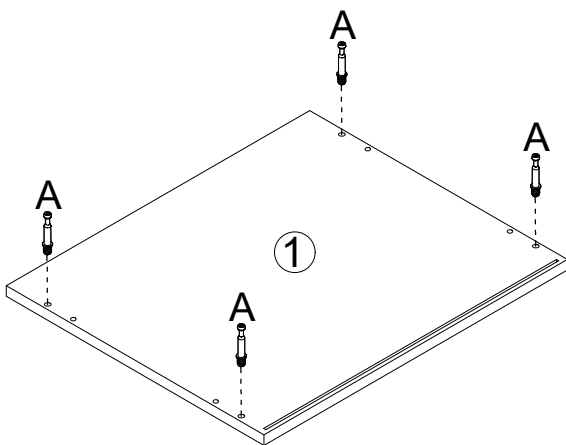
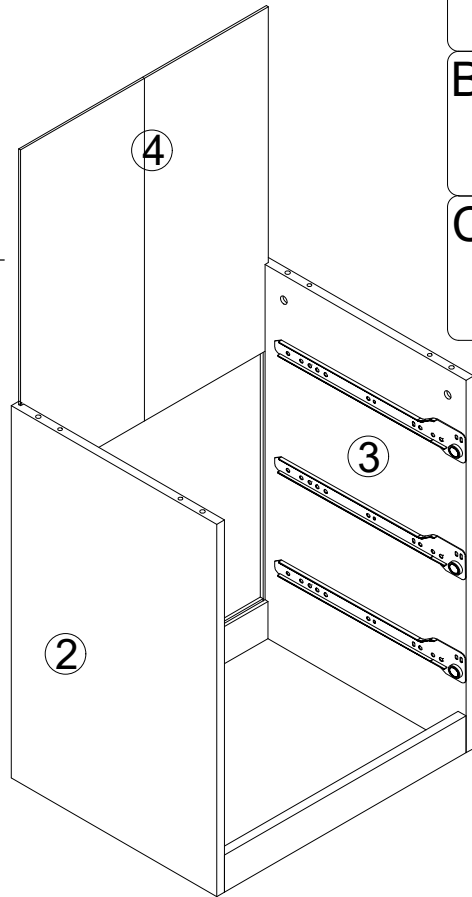
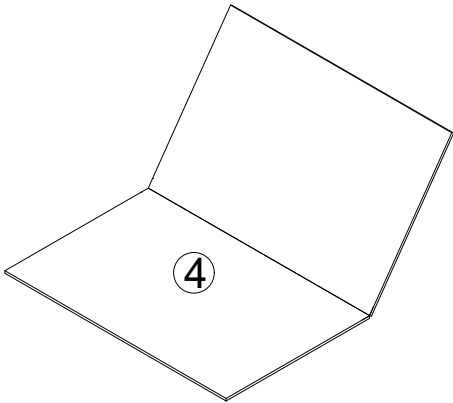
2

B X8



3

- A X4
- B X4
- C X4



4

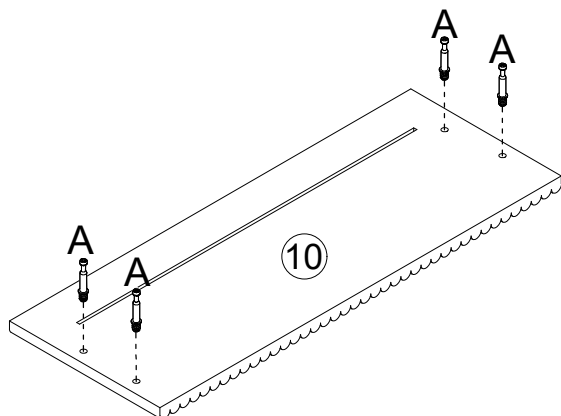
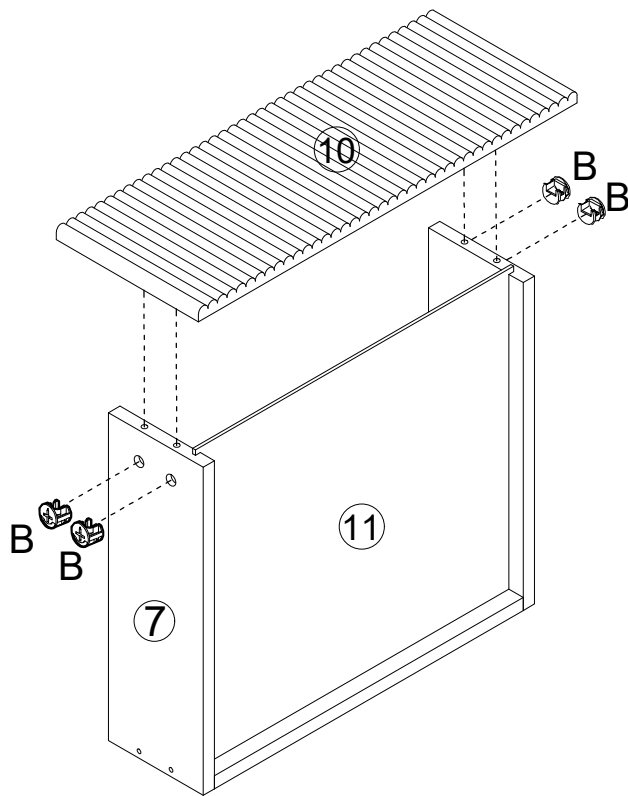
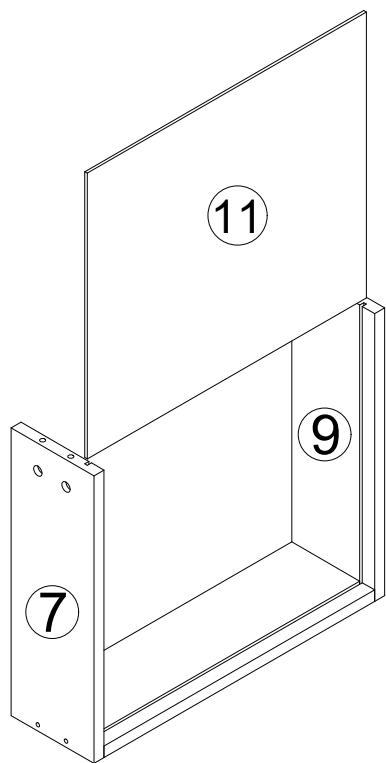
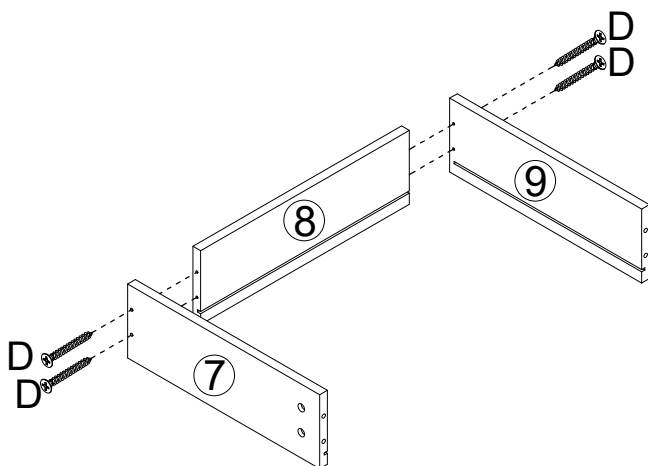
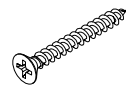
A X12



B X12

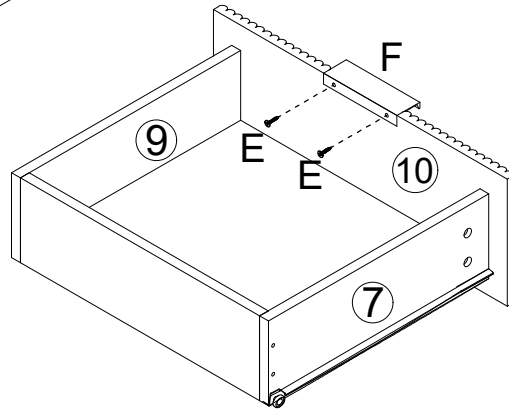
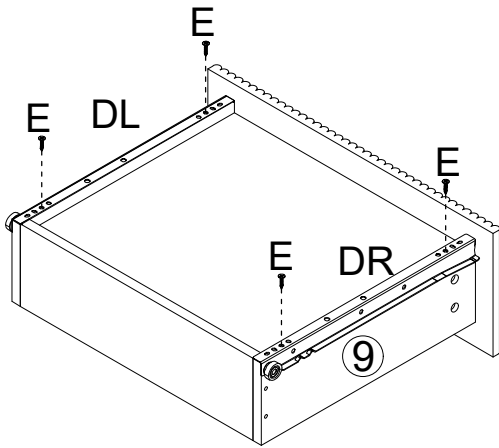
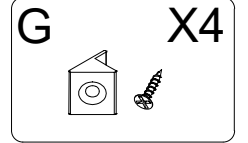
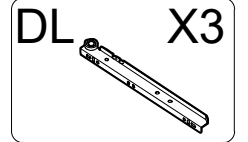
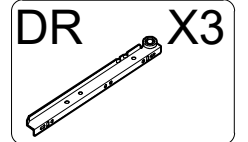
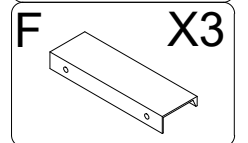
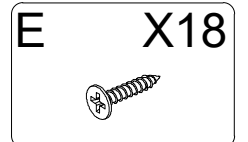
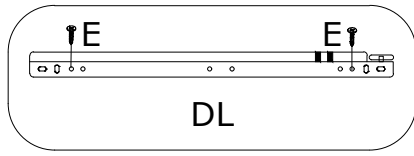


D X12

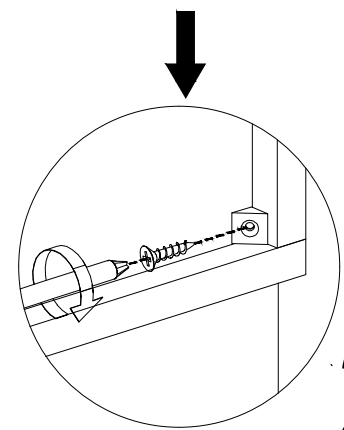
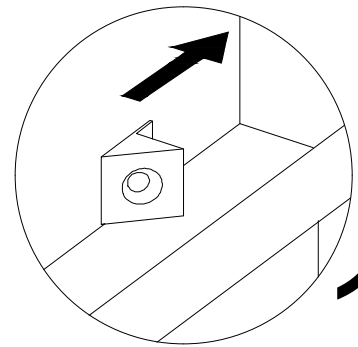
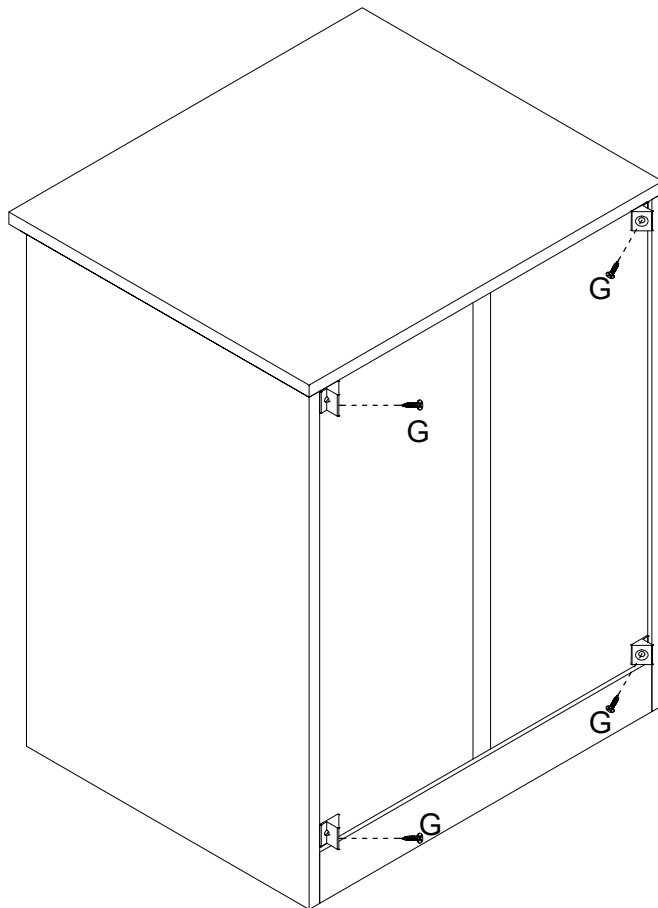


X3

5



X3



6

