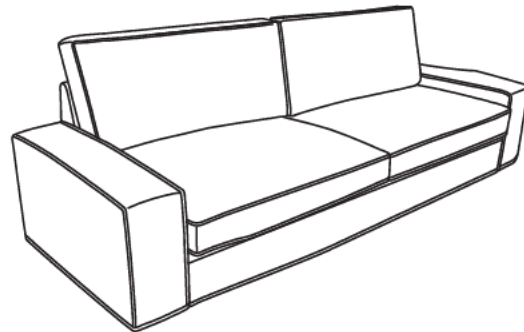
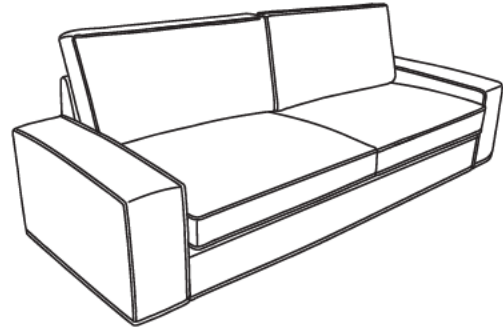
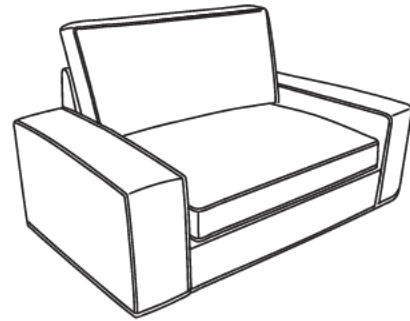

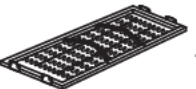










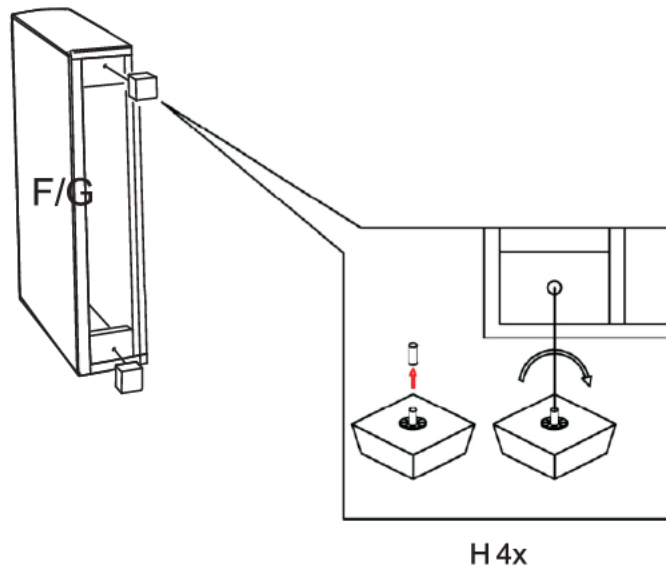
8



1

 A 1x	 B 1x	 C SO1 / SO2 1x SO3 1x	
 D 1x	 E 1x	 F1x	 G1x
 H 4x	 I SO1 1x SO2 2x SO3 2x	 J SO1 1x SO2 2x SO3 2x	

1

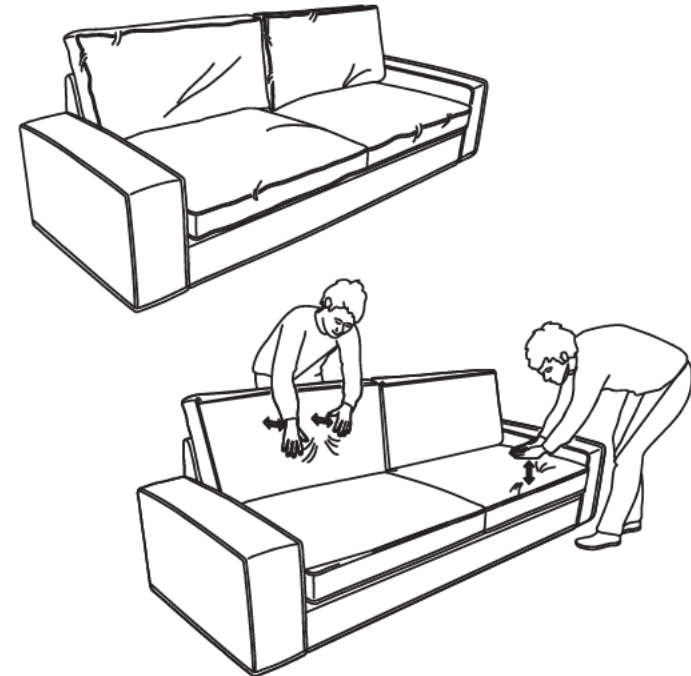


Remove the plastic caps on the threaded bolts of each leg.

02/08

2

10

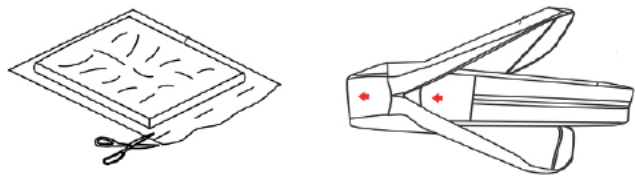


Product can sometimes shift in the box and become compressed during shipping; or under normal use, some cushion designs may compress more easily. If cushions appear to be compressed, wavy, or wrinkled, they can easily be "fluffed" by hand. Loose cushions can be removed and patted firmly by hand on all sides and edges until the appearance is improved. Fixed cushions can also be patted firmly by hand until appearance improves. After initial unboxing, allow 48 hours for cushions to fully rebound to their normal shape!

07/08

7

8



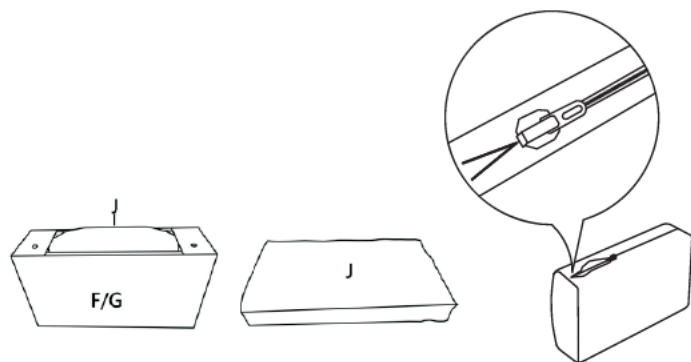
1



2

1. Seat and back cushions may take 48 hours to fully expand, which will allow wrinkles and indentations caused by packing to fade.
2. To close the zipper, please follow diagram 1. Failure to follow this could result in damage to the zipper.

9

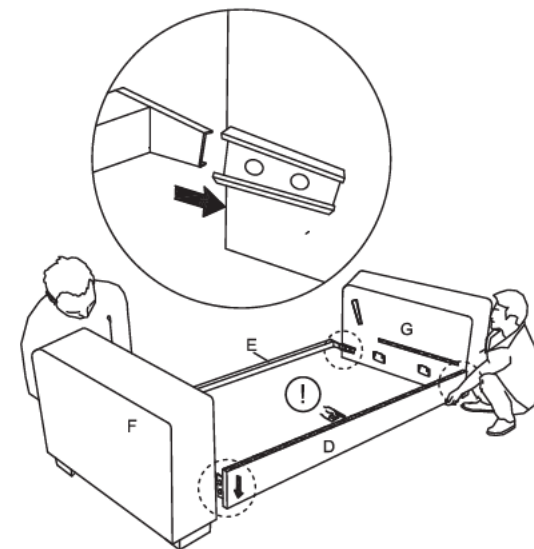


Back cushion interior are in the armrest frame, first you should take it out then tuck it in cover

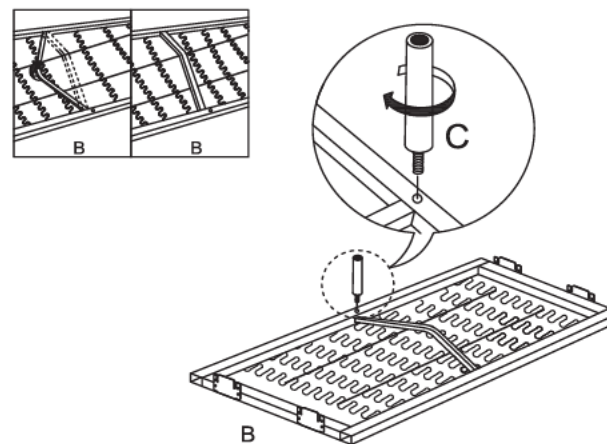
06/08

6

2



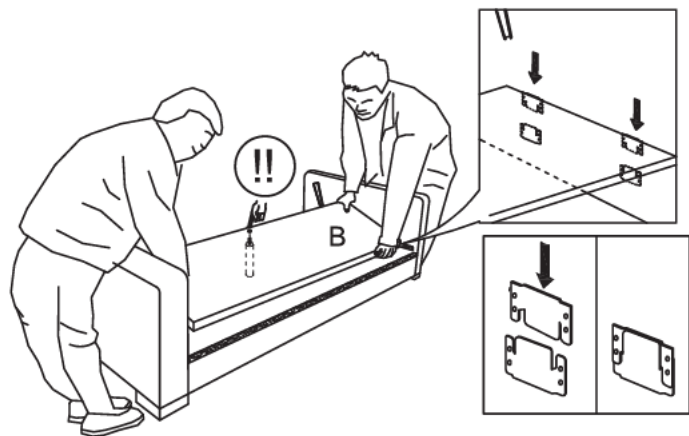
3



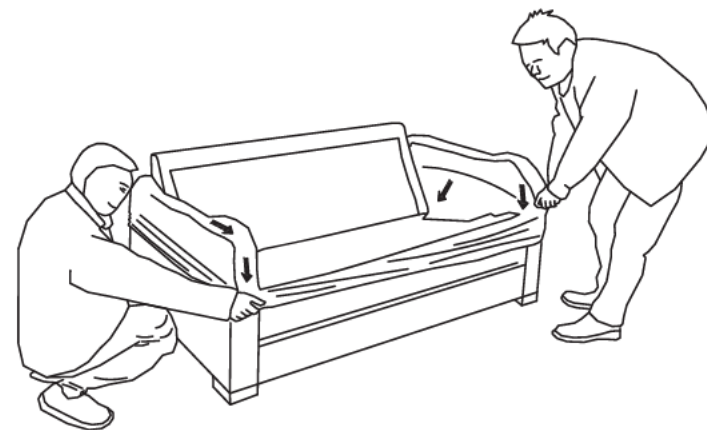
03/08

3

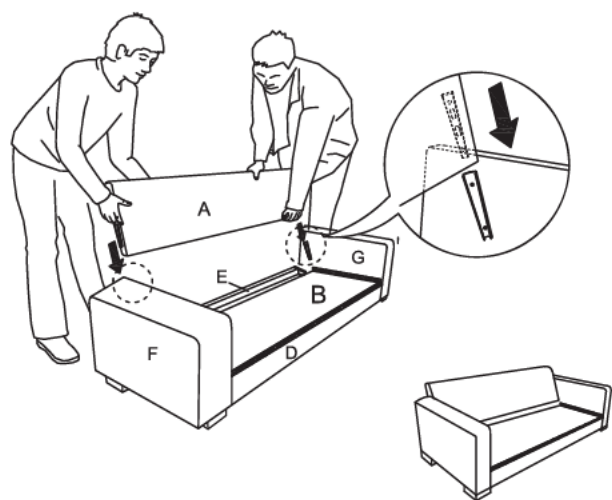
4



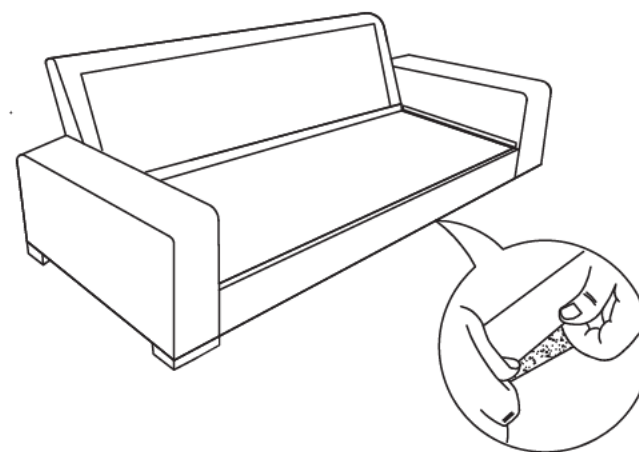
6



5



7



04/08

05/08

4

5