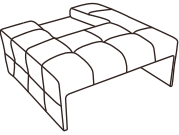



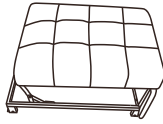

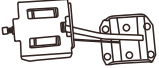





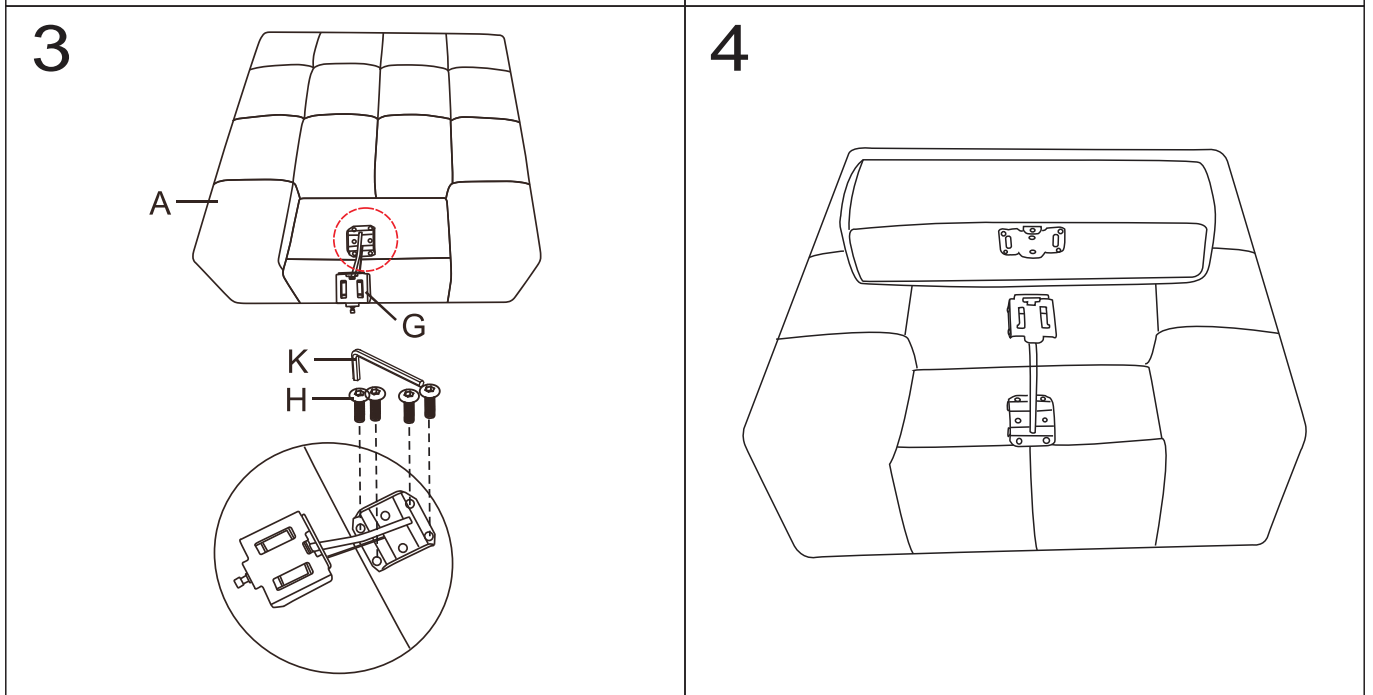
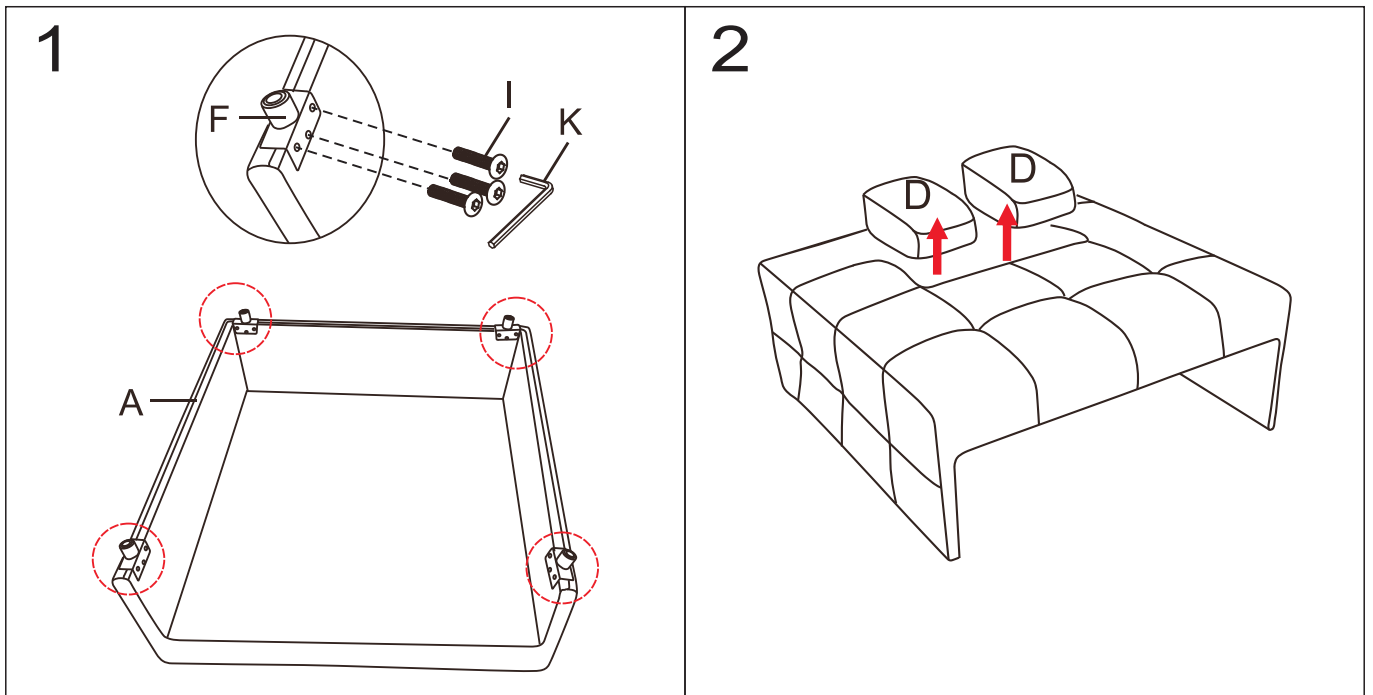
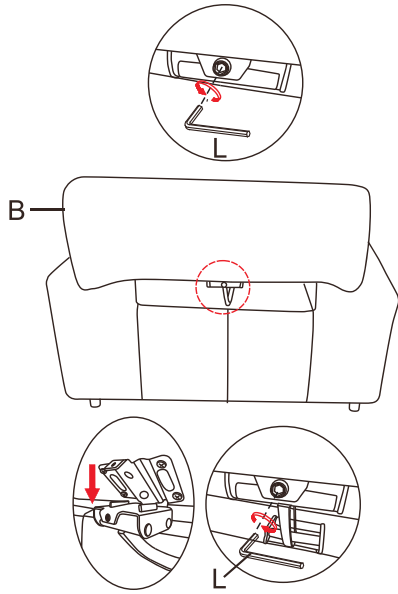


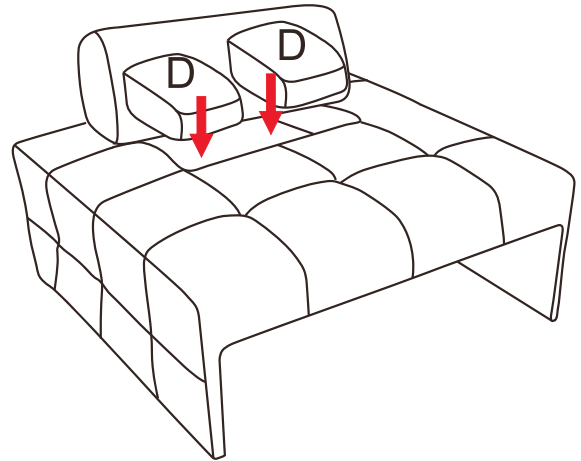
|   |  |   |  |   |   |
|---|--|---|--|---|---|
| <b>A*1</b><br> | <b>B*1</b><br>            | <b>C*1</b><br>             | <b>D*2</b><br>           | <b>E*1</b><br>       | <b>F*4</b><br>       |
| <b>G*1</b><br> | <b>H*4</b><br><br>M6*25mm | <b>I*12</b><br><br>M6*30mm | <b>J*2</b><br><br>M8*50mm | <b>K*1</b><br><br>M6 | <b>L*1</b><br><br>M8 |



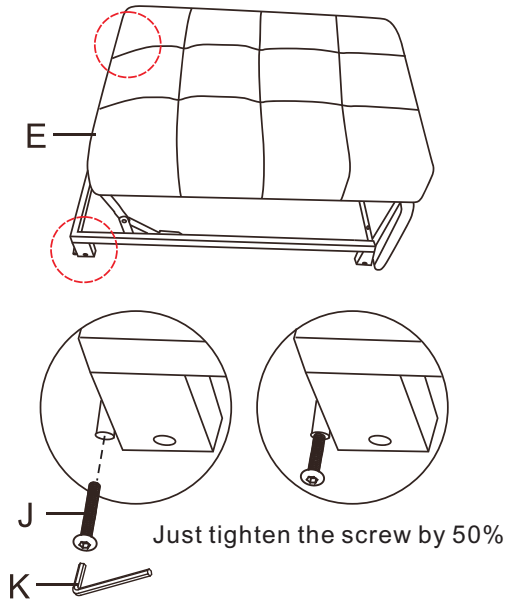
5



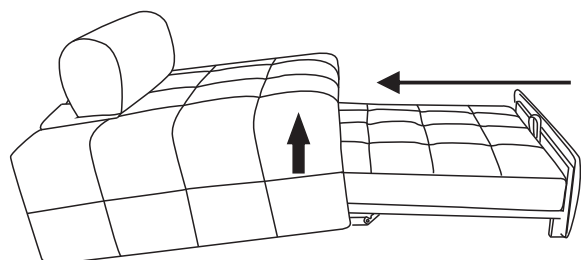
6



7



8



When pushing in component E,  
first lift component A and then  
push in component E

9

