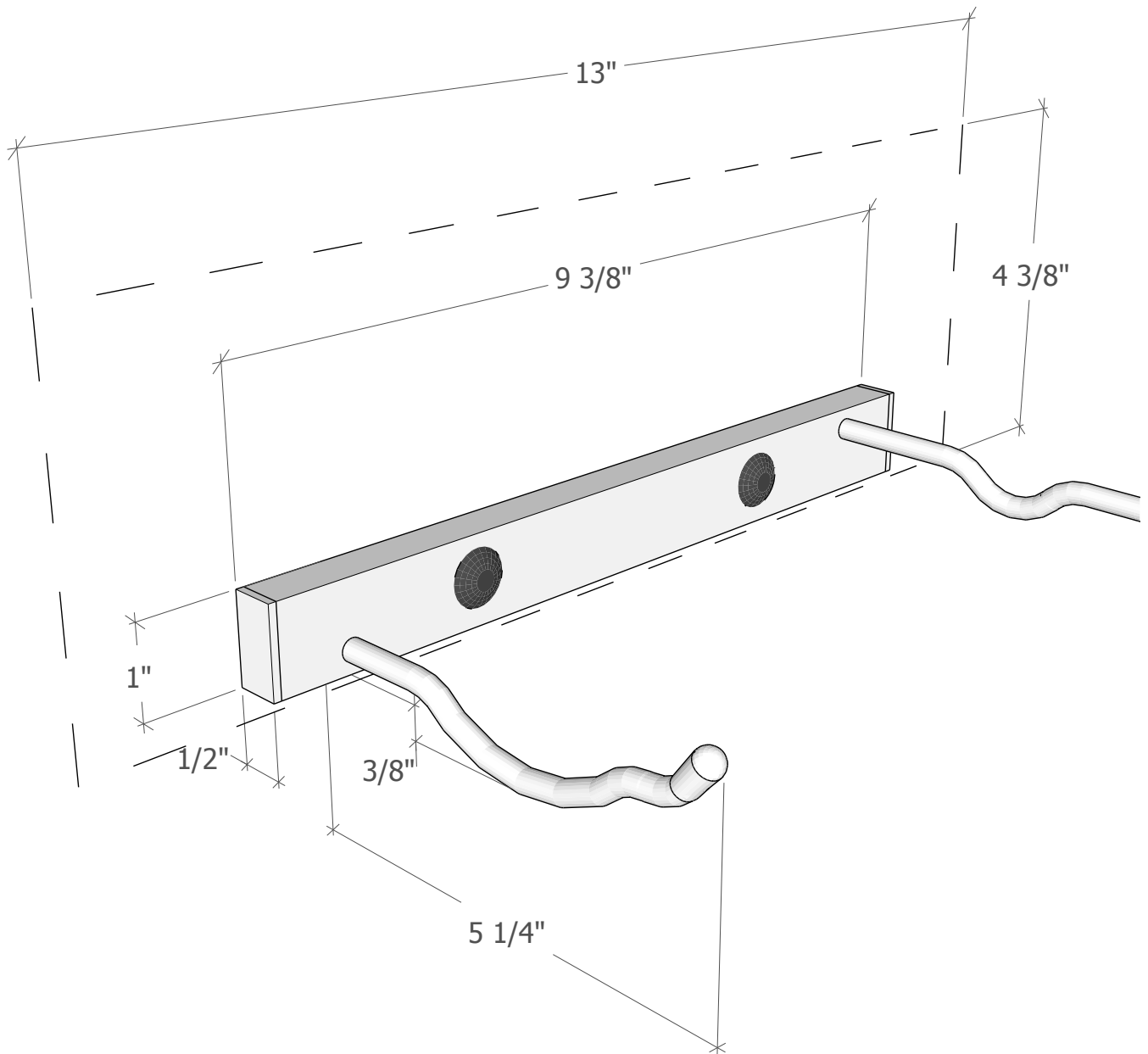


W Series Single

Spec sheet for WS-LEFT, WS-RIGHT, 1-bottle wine rack



We recommends 13 inches overall width allowance for most wine bottles.
Mounting holes and overall dimensions are identical for Left and Right options.