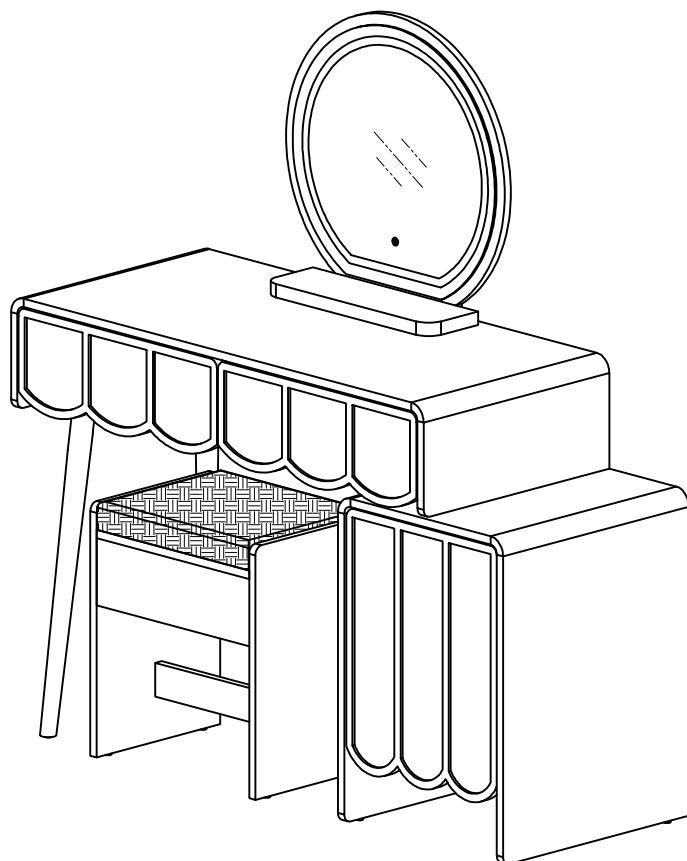
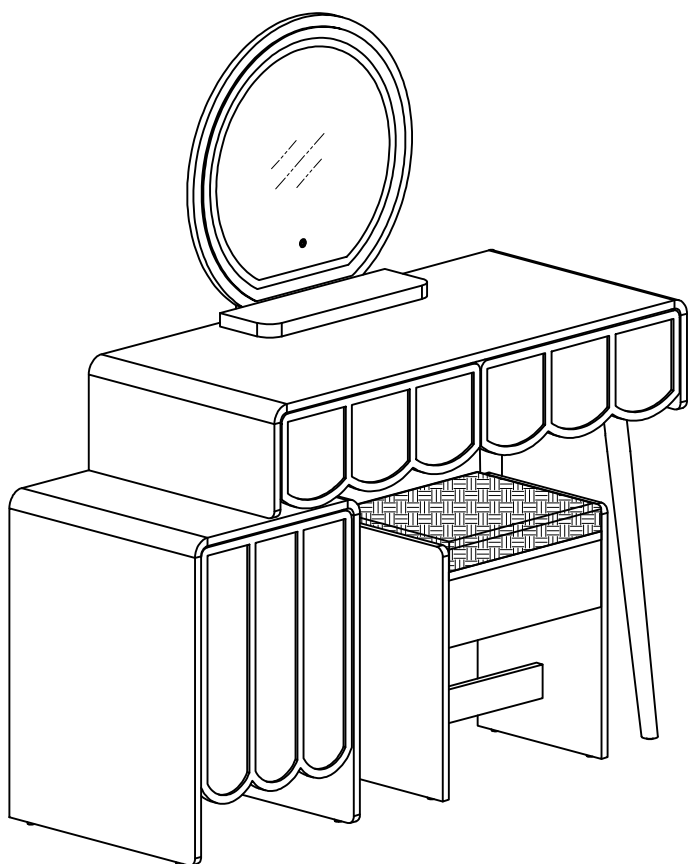
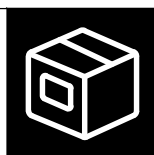
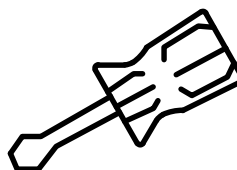
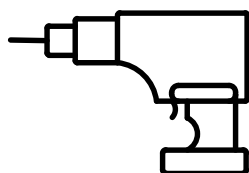
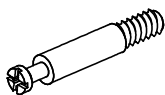




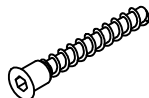
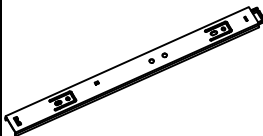


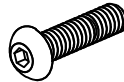

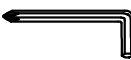
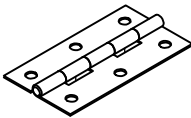

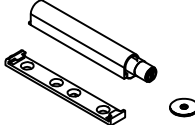
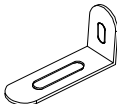

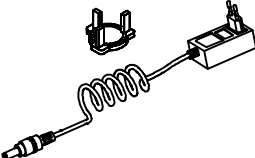
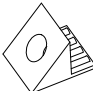
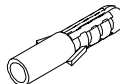
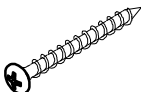

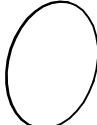
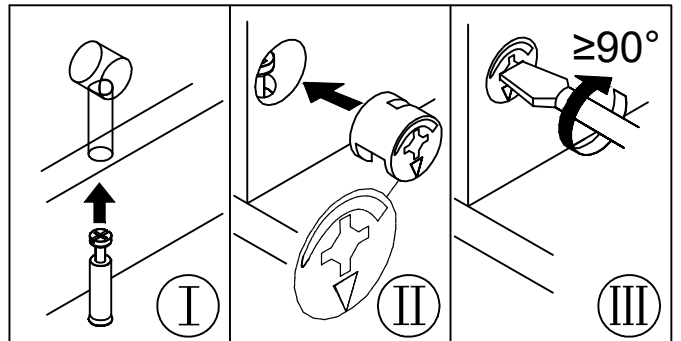
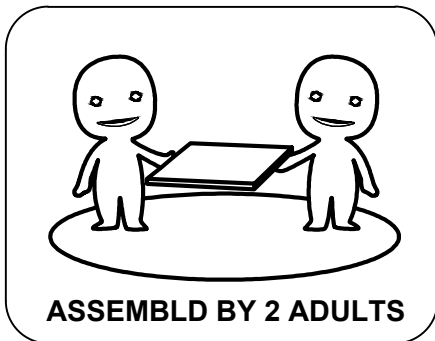
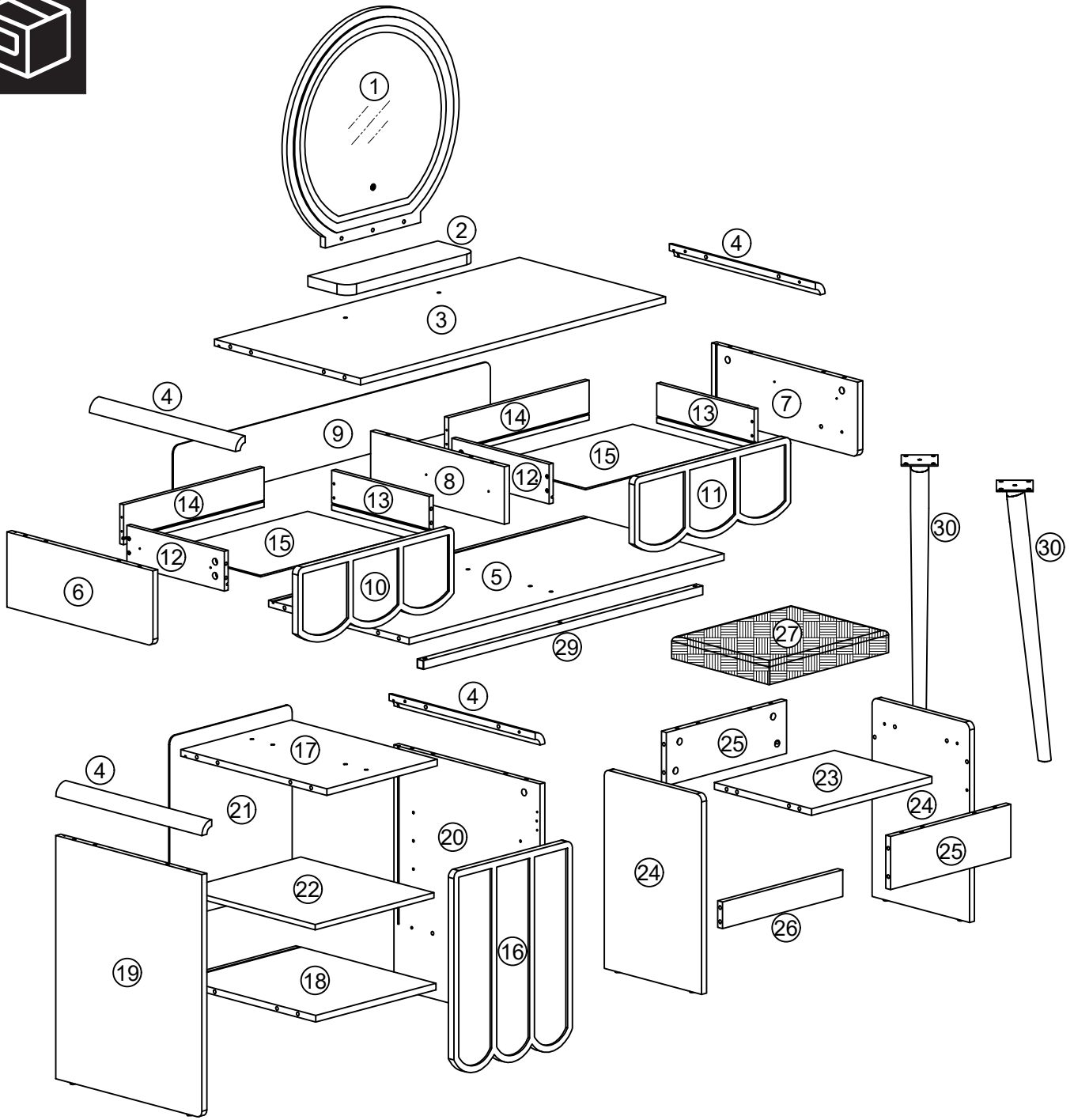


Installation & Assembly

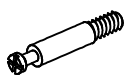




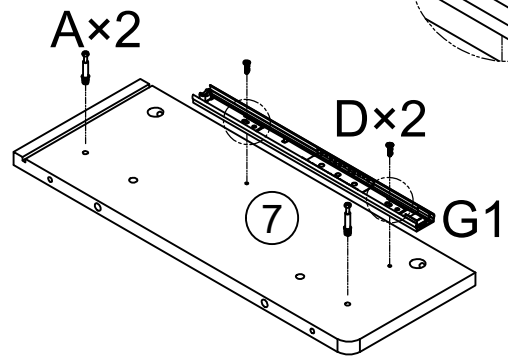
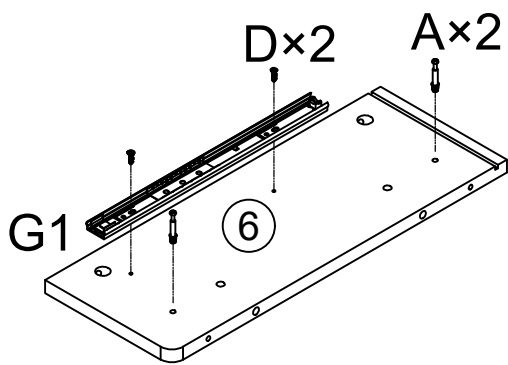
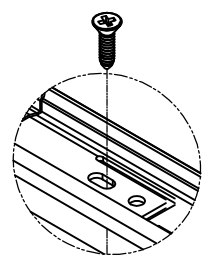
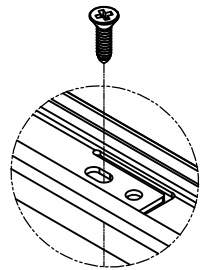
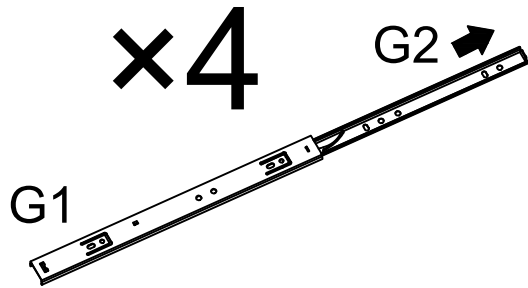
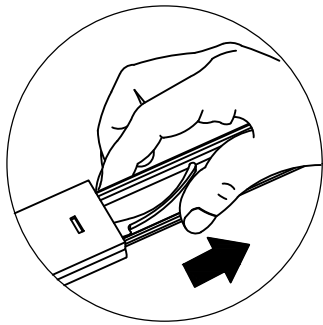


A×50PCS  M6×35mm	B×42PCS  Ø15×12mm	C×44PCS  Ø8×30mm	D×26PCS  Ø3.5×14mm	E×8PCS  Ø4×35mm
F×7PCS  Ø7×50mm	G×4PCS  L×1PC	H×8PCS  Ø15×9.3mm	I×15PCS  Ø3×14mm	J×3PCS  M6×30mm
K×2PCS  M6×25mm	L×1PC  M4mm	M×2PCS 	N×8PCS  M6×12mm	O×1PC 
P×2PCS 	Q×2PCS  Ø4×14mm	R×1PC 	S×10PCS 	T×2PCS  Ø6×30mm
U×2PCS  Ø4×35mm	V×4PCS  Ø5×19mm	W×60PCS 		





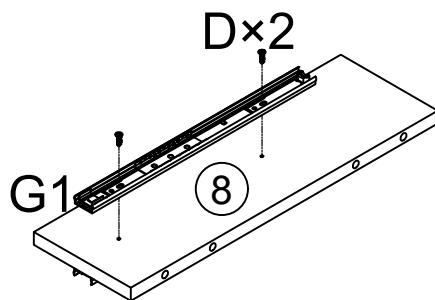
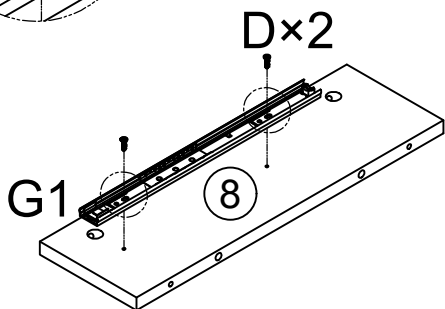
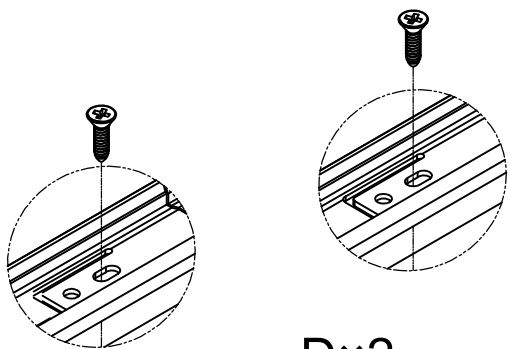
1.



A×4PCS	D×4PCS	G1×2PCS
		
M6×35mm	Ø3.5×14mm	



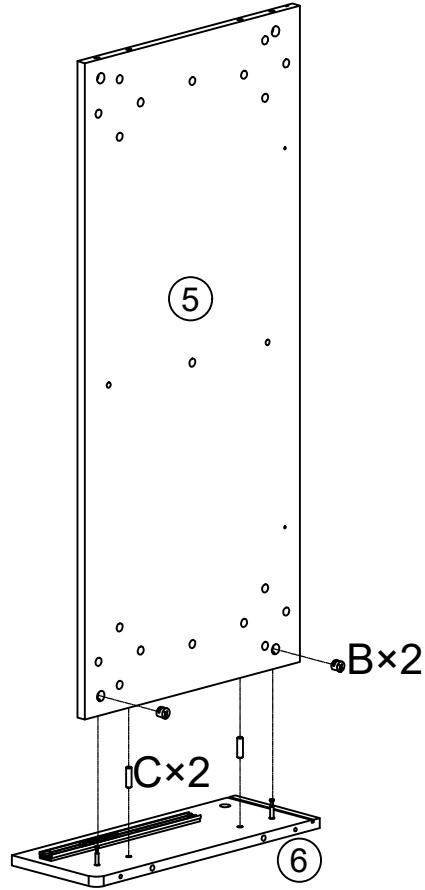
2.



D×4PCS	G1×2PCS
	
Ø3.5×14mm	



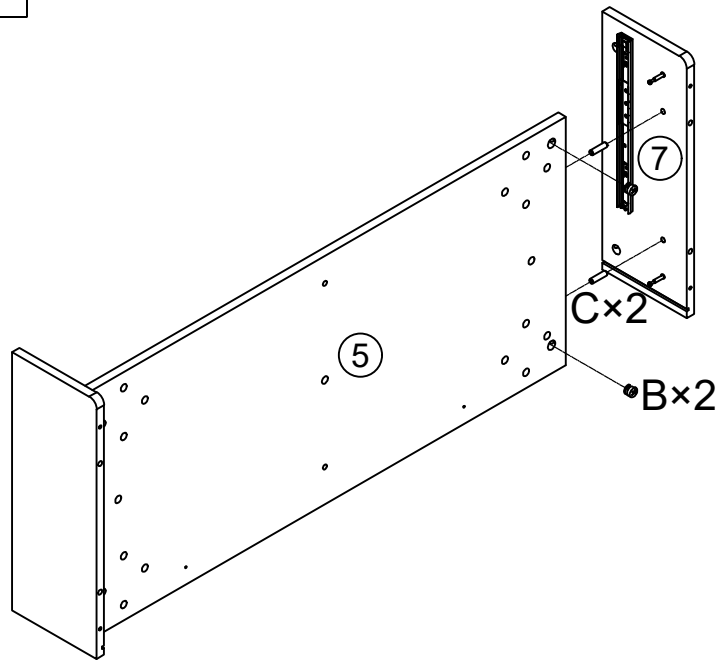
B×2PCS	C×2PCS
	
Ø15×12mm	Ø8×30mm

3.






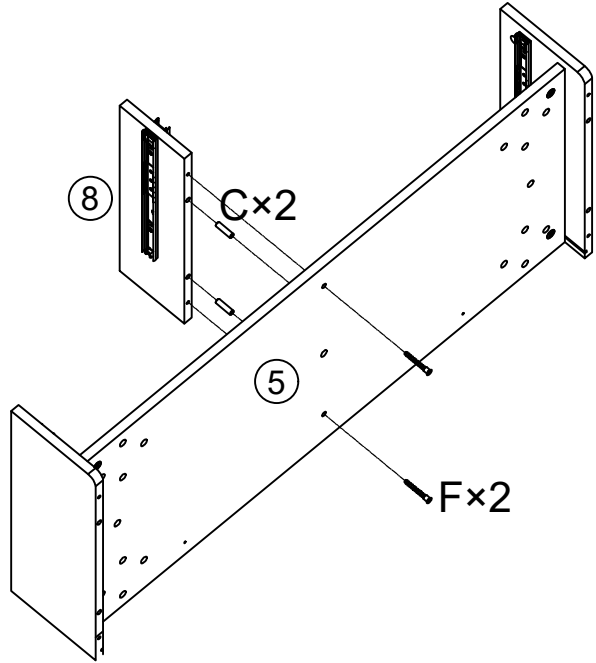
B×2PCS	C×2PCS
	
Ø15×12mm	Ø8×30mm

4.





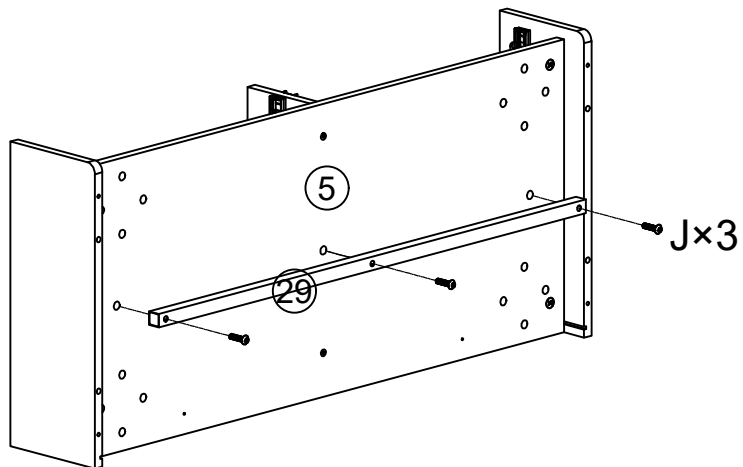
5.

C×2PCS	F×2PCS	L×1PC
		
Ø8×30mm	Ø7×50mm	M4mm

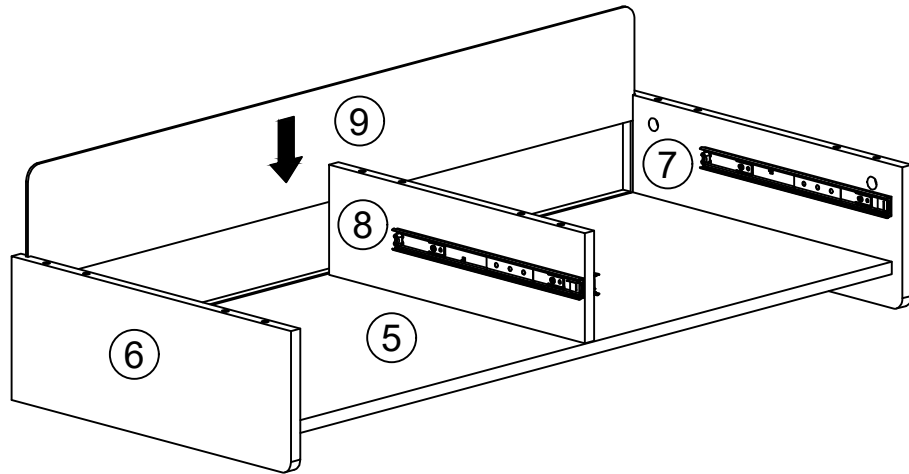


6.

J×3PCS	L×1PC
	
M6×30mm	M4mm

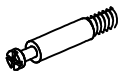


7.

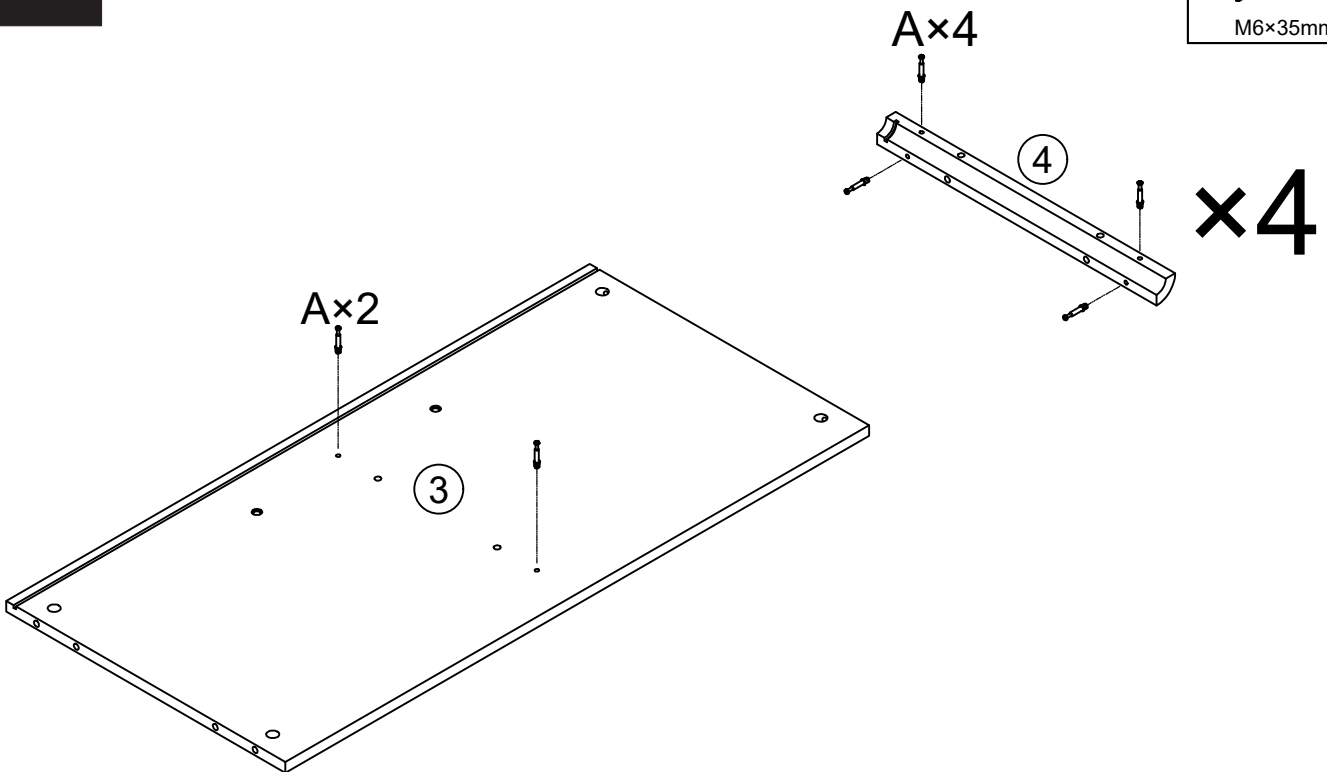




8.

A×18PCS

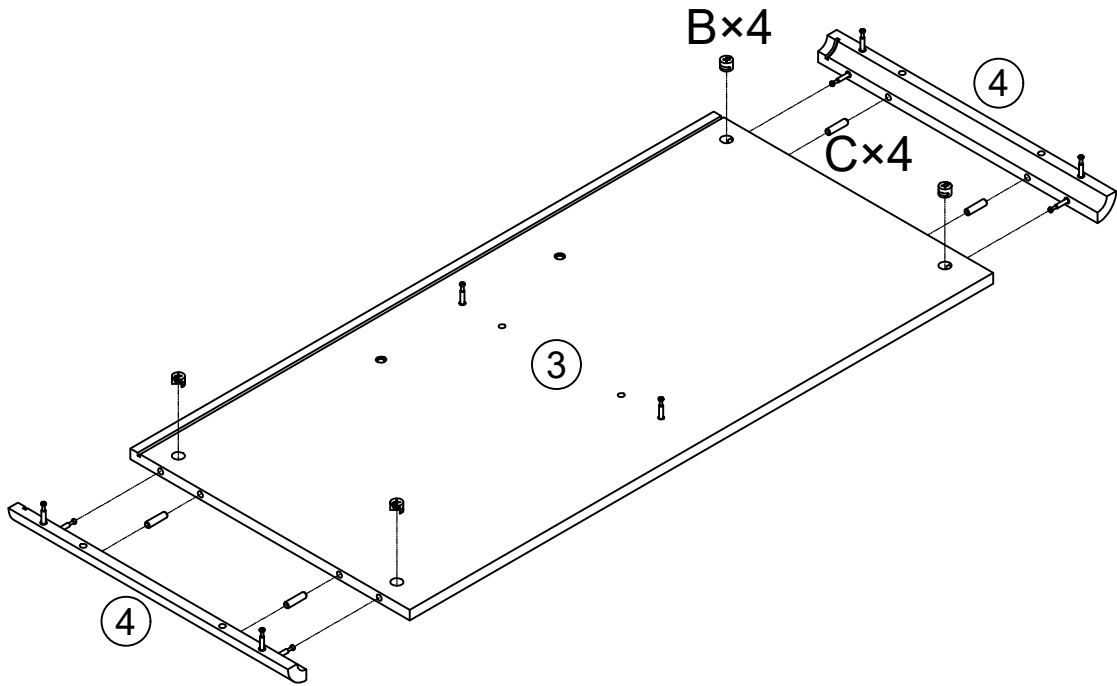




M6×35mm



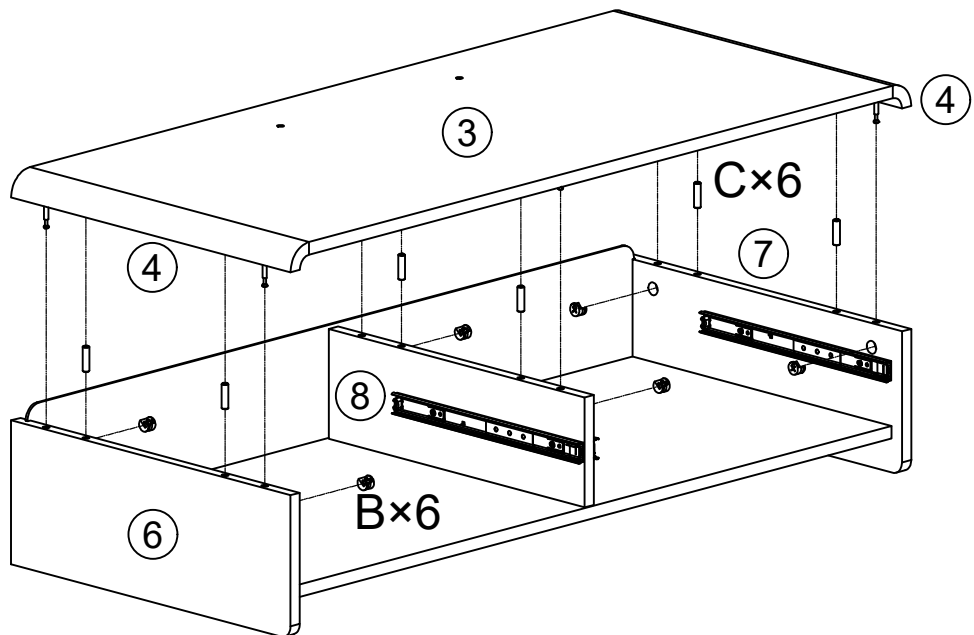
B×4PCS	C×4PCS
	
Ø15×12mm	Ø8×30mm

9.





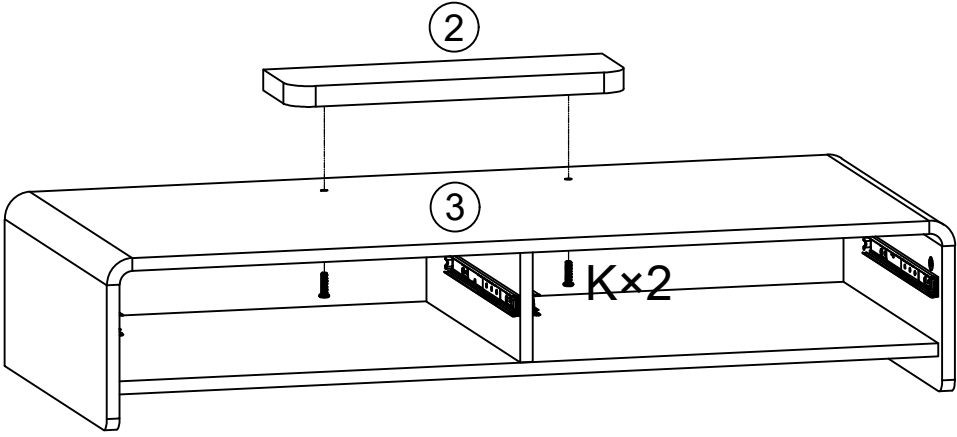
B×6PCS	C×6PCS
	
Ø15×12mm	Ø8×30mm

10.

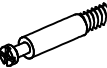


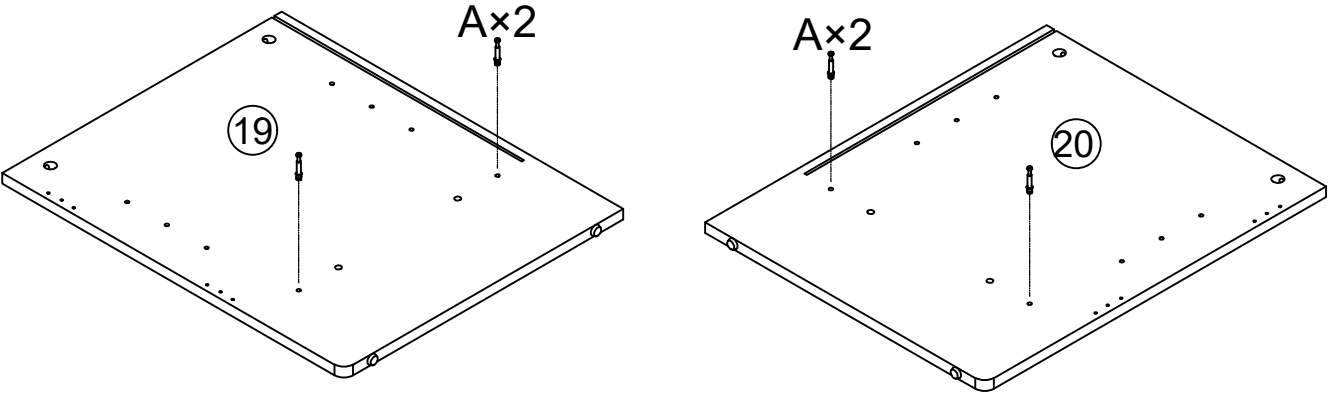
11.



K×2PCS	L×1PC
	
M6×25mm	M4mm



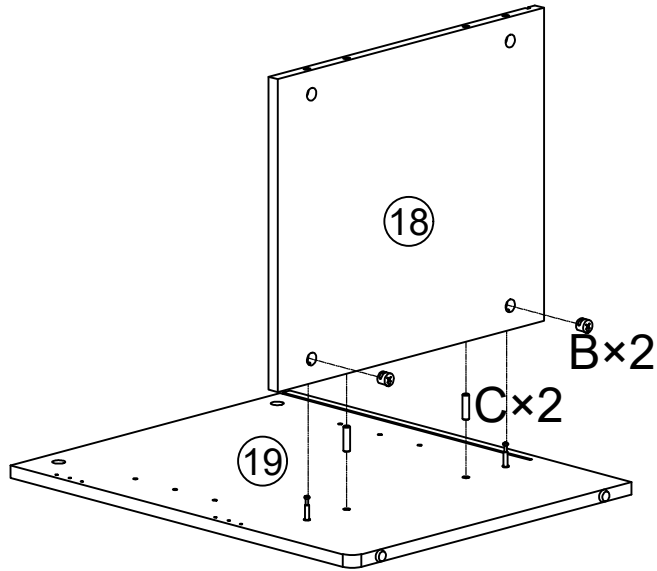
12.



A×4PCS

M6×35mm



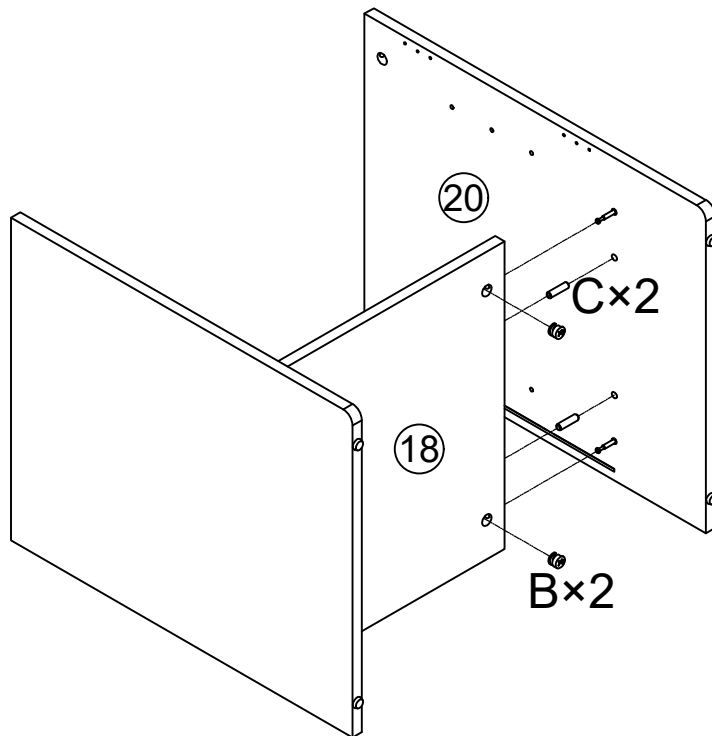
B×2PCS	C×2PCS
	
Ø15×12mm	Ø8×30mm

13.

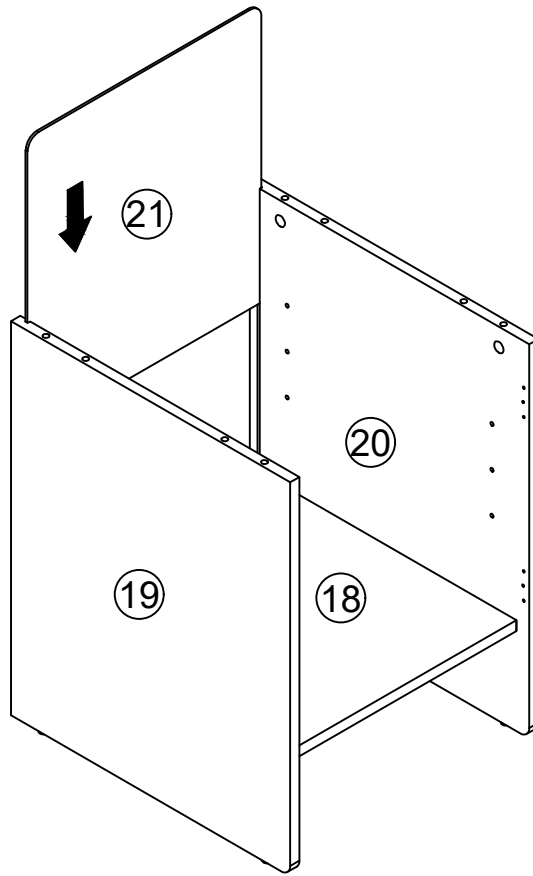


B×2PCS	C×2PCS
	
Ø15×12mm	Ø8×30mm




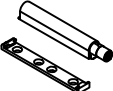
14.

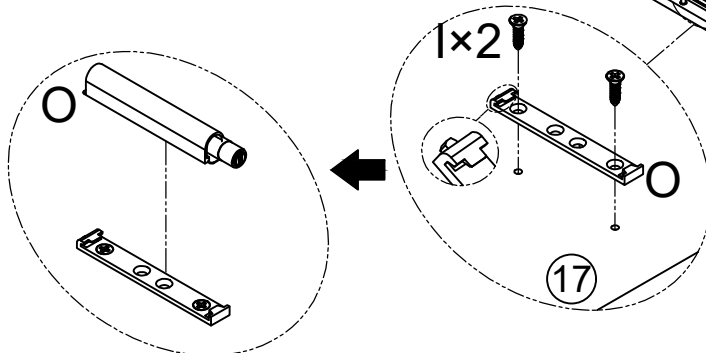
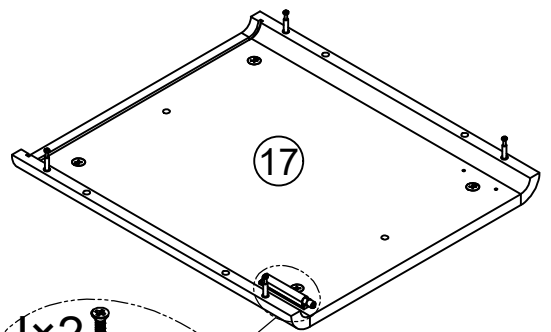
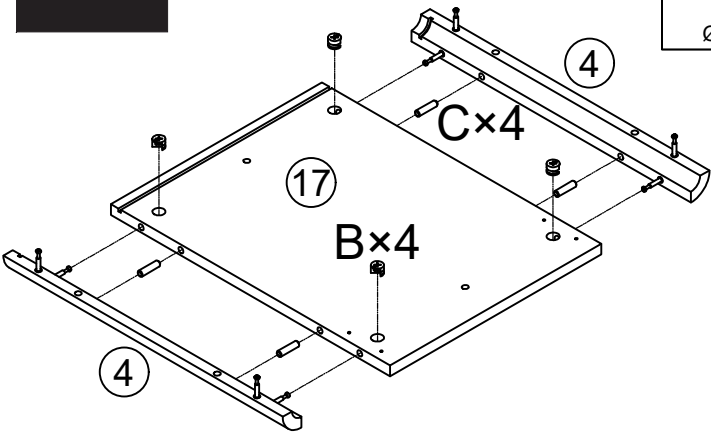




15.



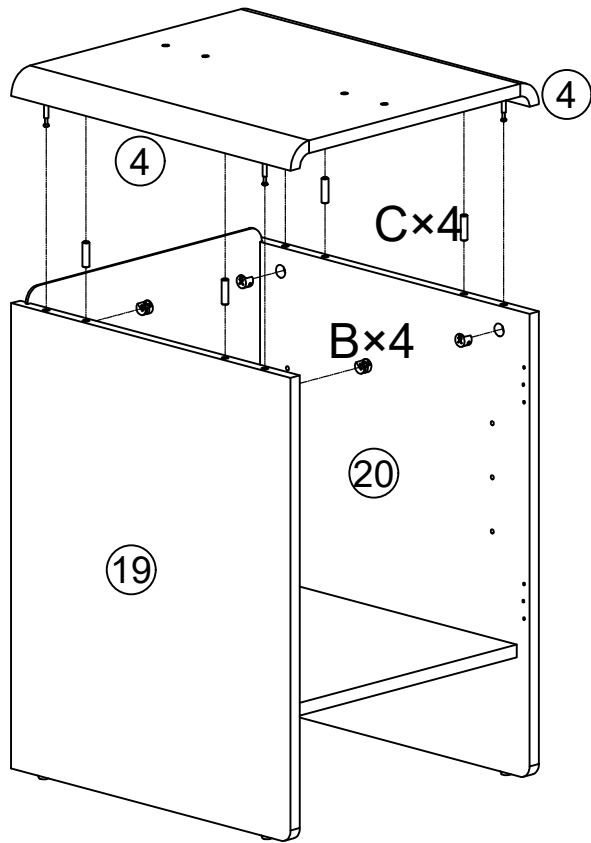
16a.




B×4PCS	C×4PCS	I×2PCS	O×1PC
			
Ø15×12mm	Ø8×30mm	Ø3×14mm	



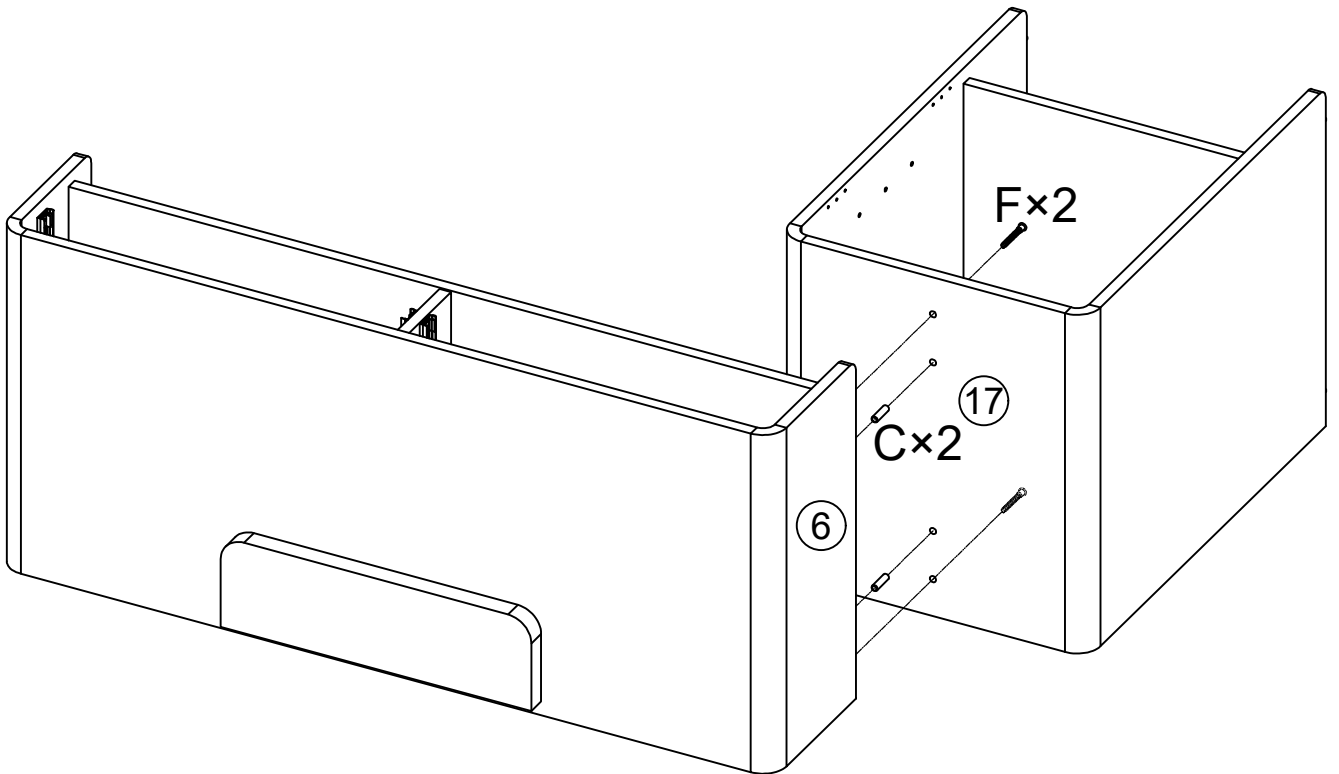
B×4PCS	C×4PCS
	
Ø15×12mm	Ø8×30mm

17a.


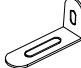




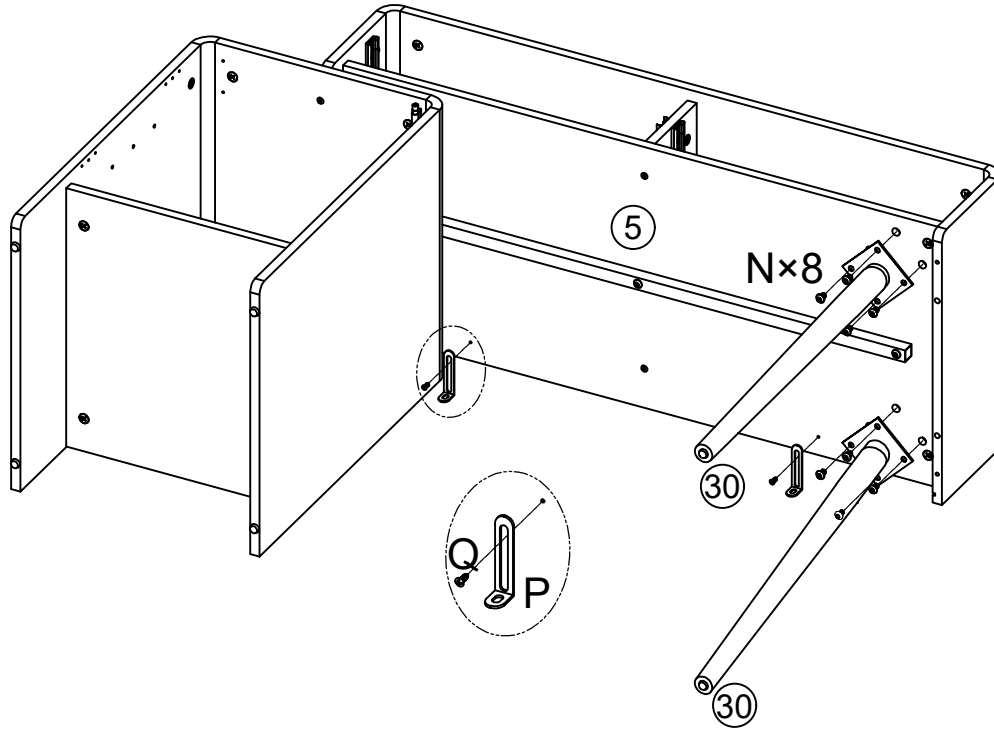
C×4PCS	F×2PCS	L×1PC
		
Ø8×30mm	Ø7×50mm	M4mm

18a.



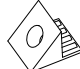



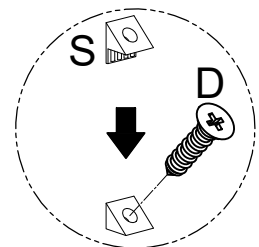
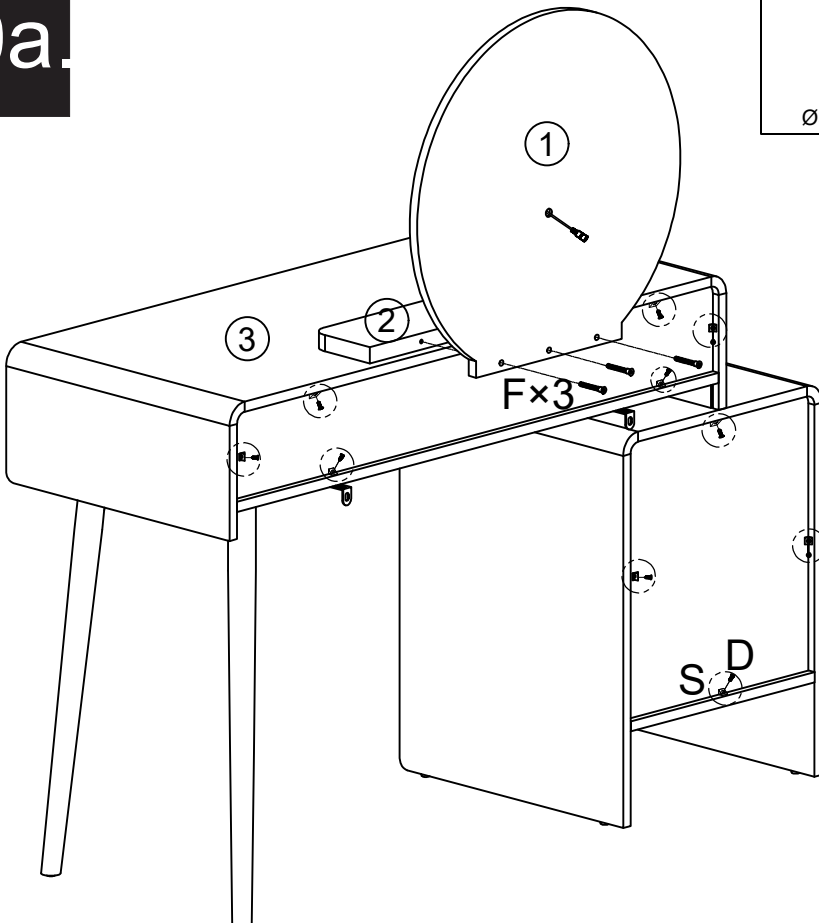
19a.

N×8PCS	P×2PCS	Q×2PCS	L×1PC
			
M6×12mm		Ø4×14mm	M4mm



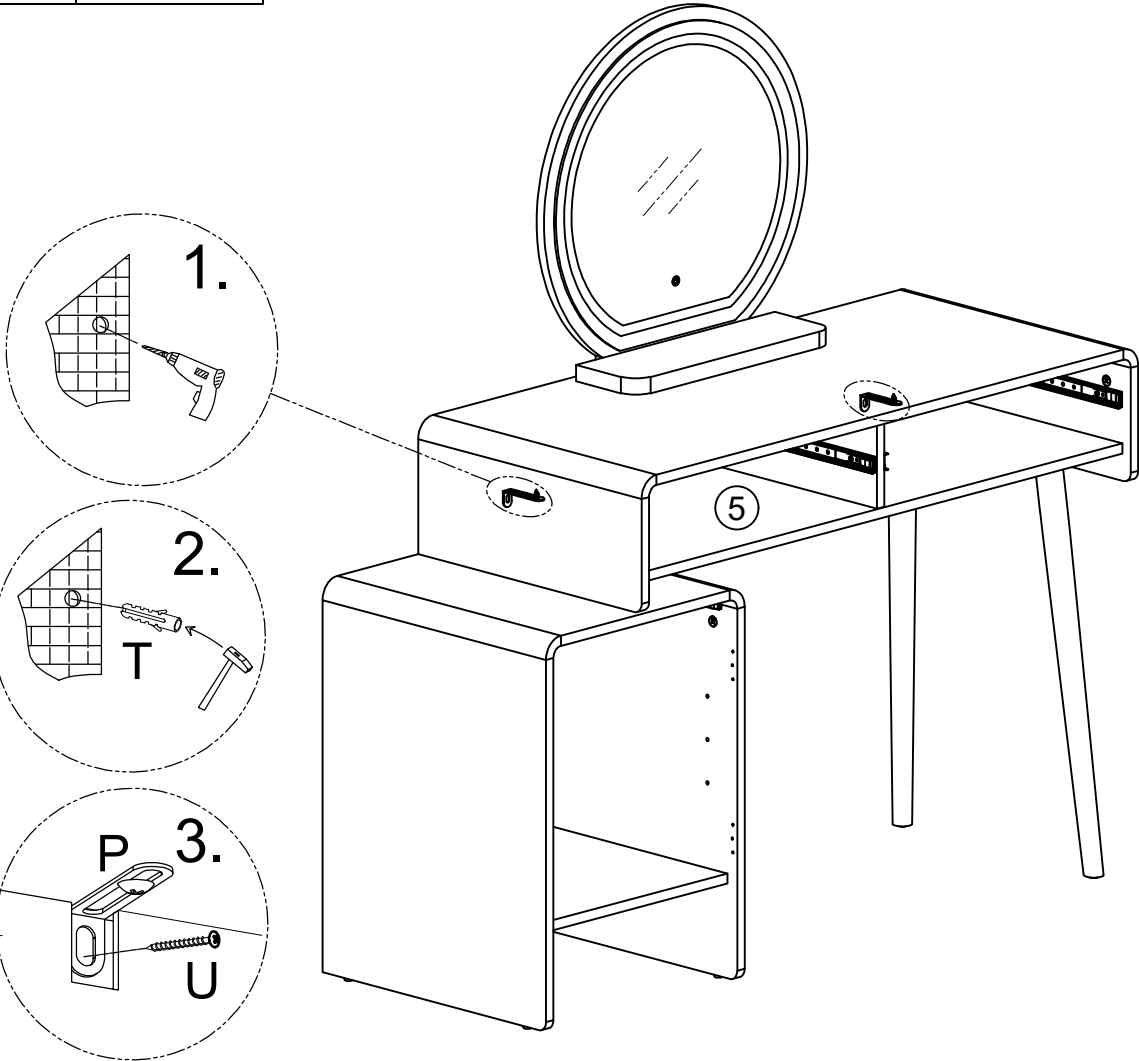
20a.

D×10PCS	F×3PCS	S×10PCS
		
Ø3.5×14mm	Ø7×50mm	
		L×1PC
		
		M4mm



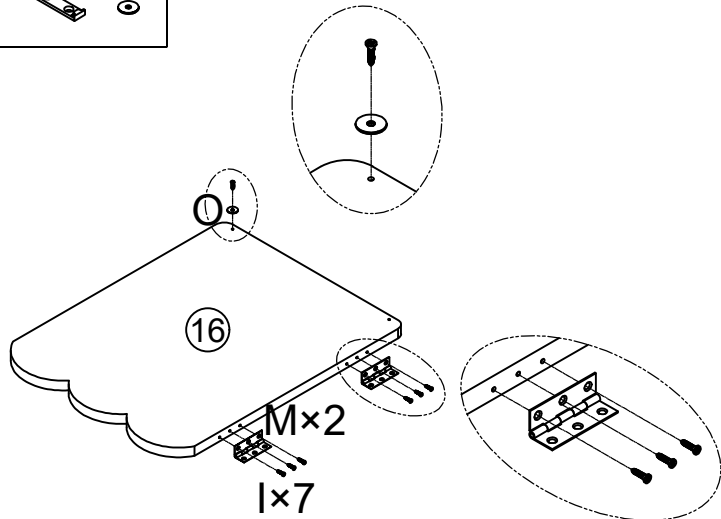
21a.

T×2PCS Ø6×30mm	U×2PCS Ø4×35mm
-------------------	-------------------



22a.

I×7PCS Ø3×14mm	M×2PCS	O×1PC
-------------------	--------	-------

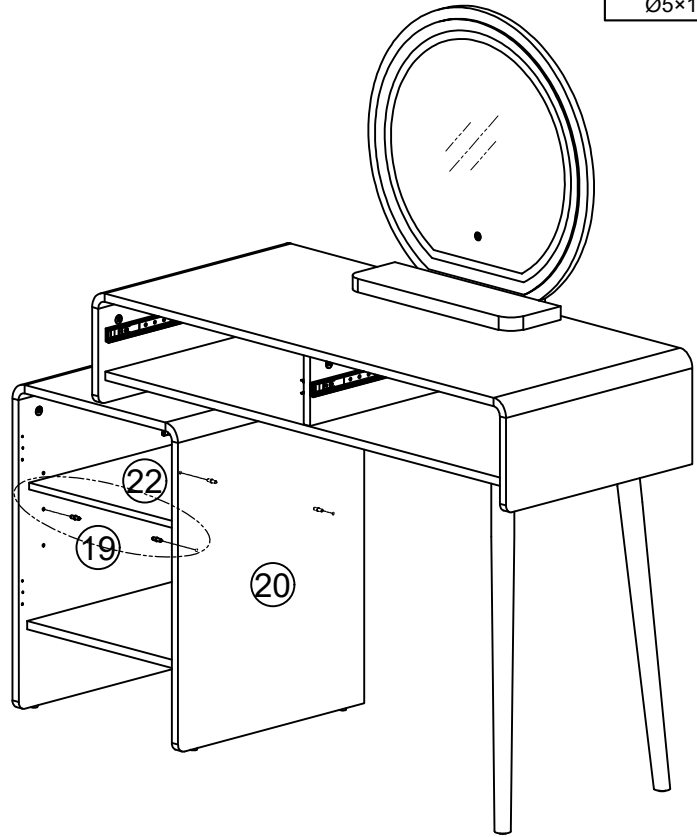
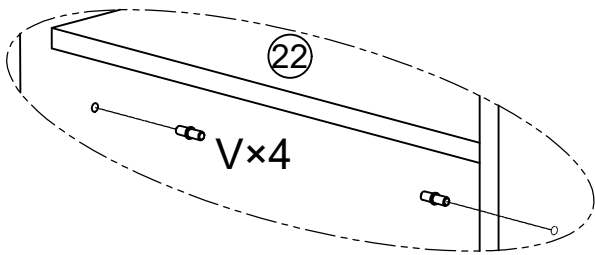


23a.

V×4PCS



Ø5×19mm

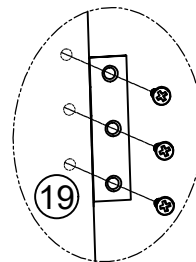
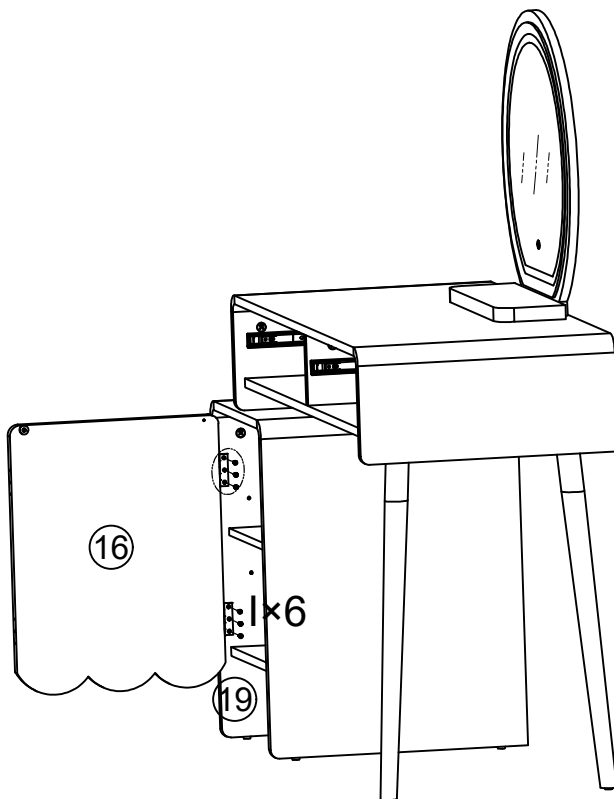


24a.

I×6PCS



Ø3×14mm

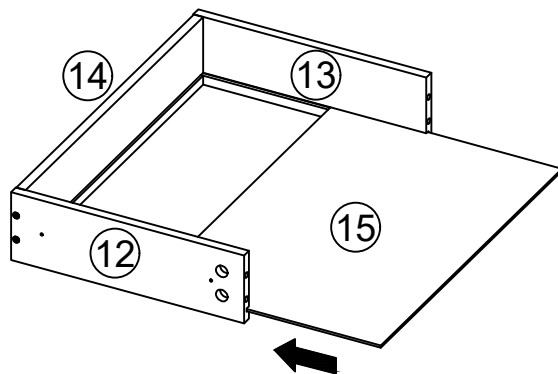
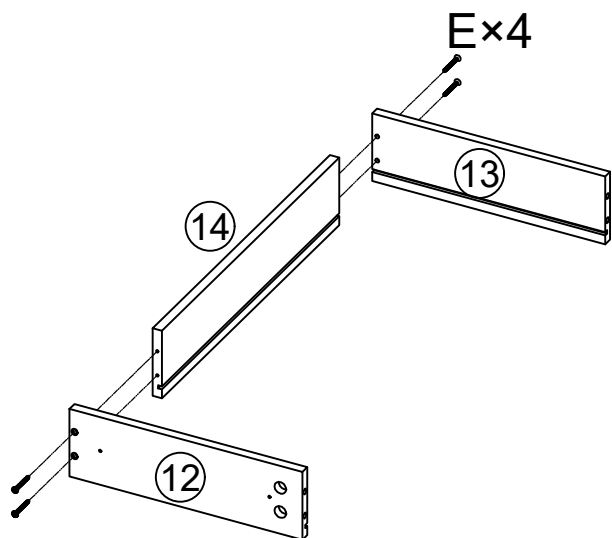


25.

E×8PCS



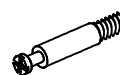
Ø4×35mm



×2

26.

A×8PCS

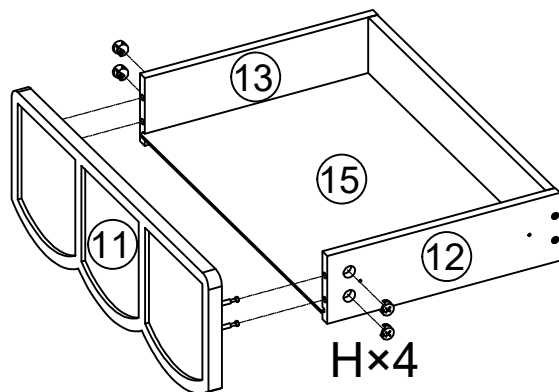
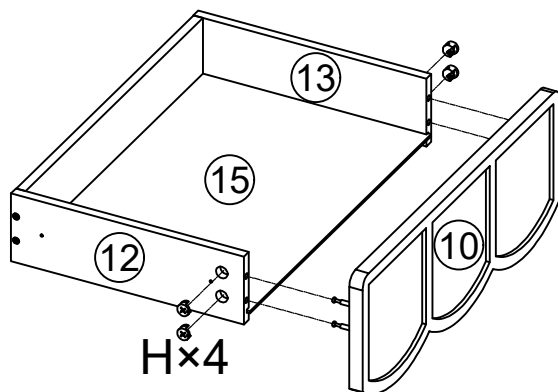
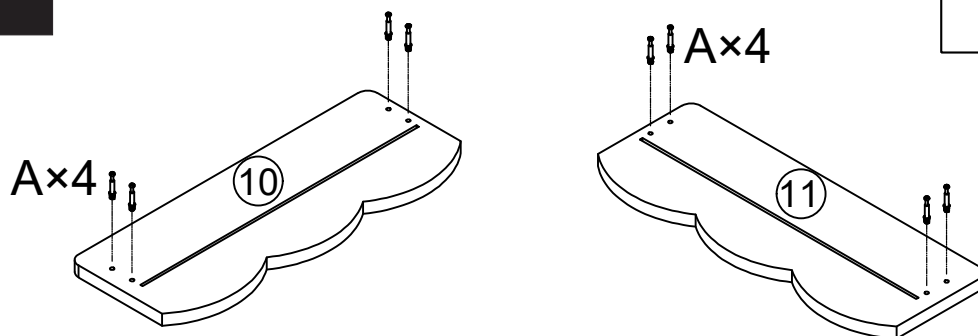


M6×35mm

H×8PCS



Ø15×9.3mm



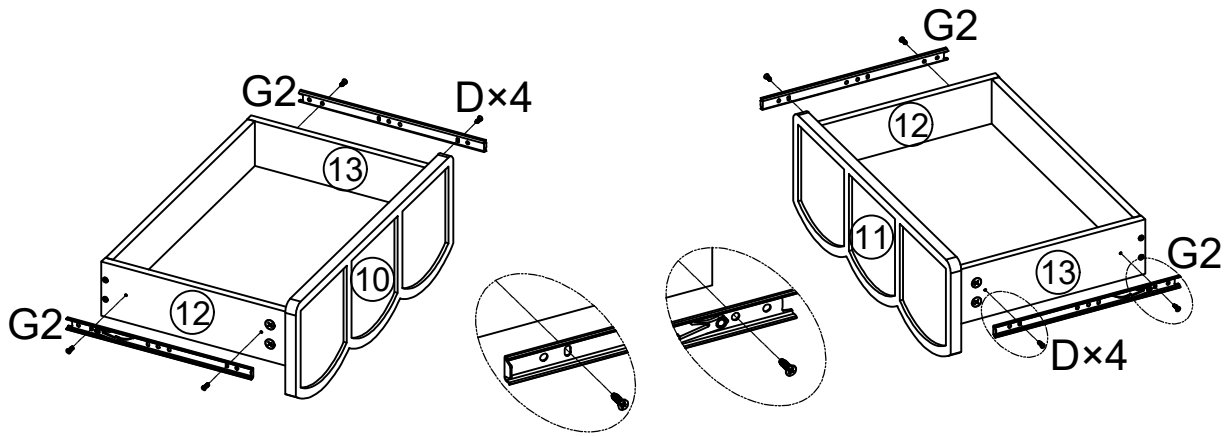
27.

D×8PCS

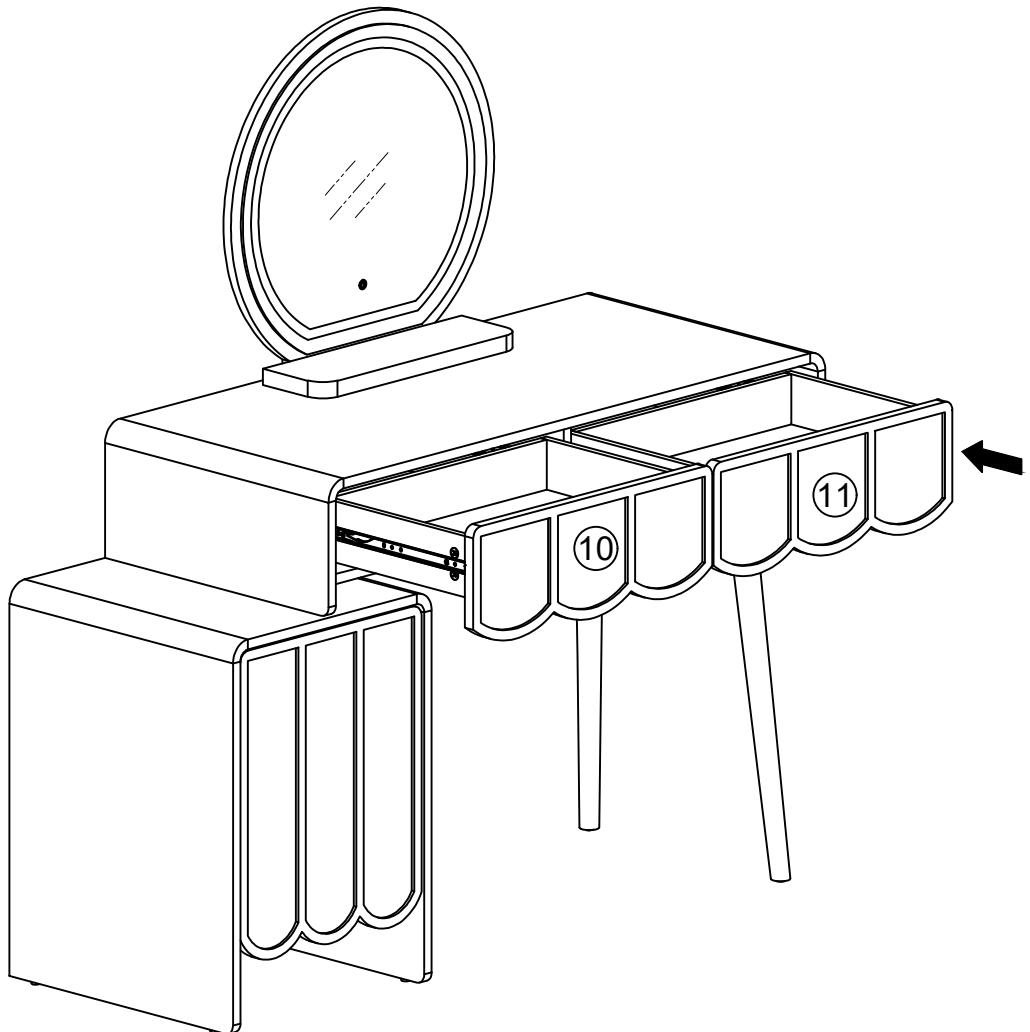
G2×4PCS



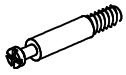
Ø3.5×14mm



28a.

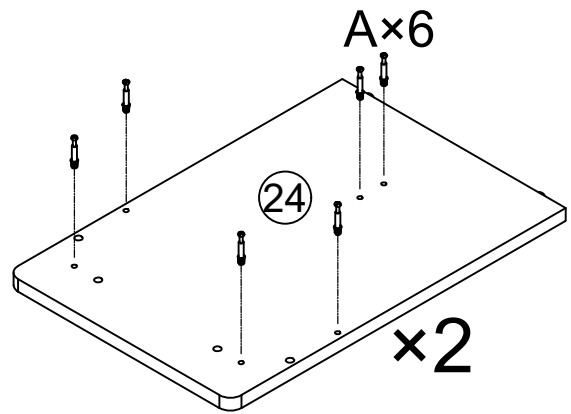
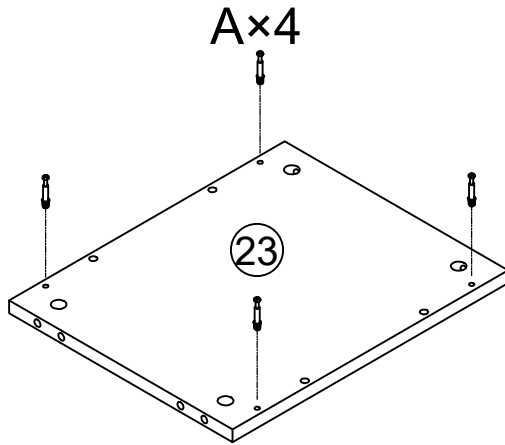


A×16PCS



M6×35mm

29.



B×4PCS



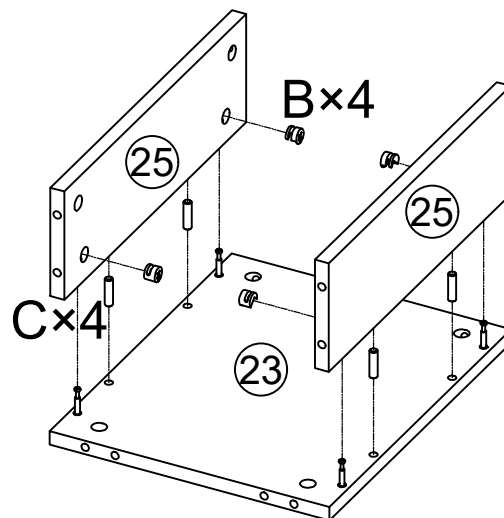
Ø15×12mm

C×4PCS

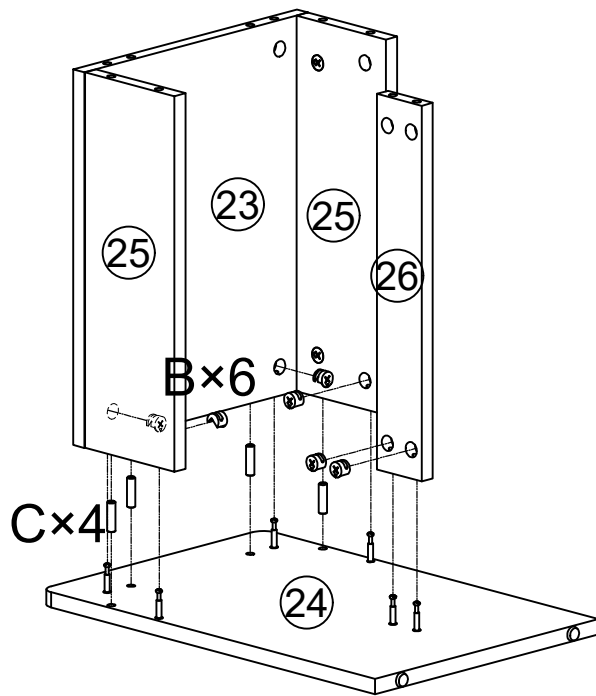




Ø8×30mm

30.

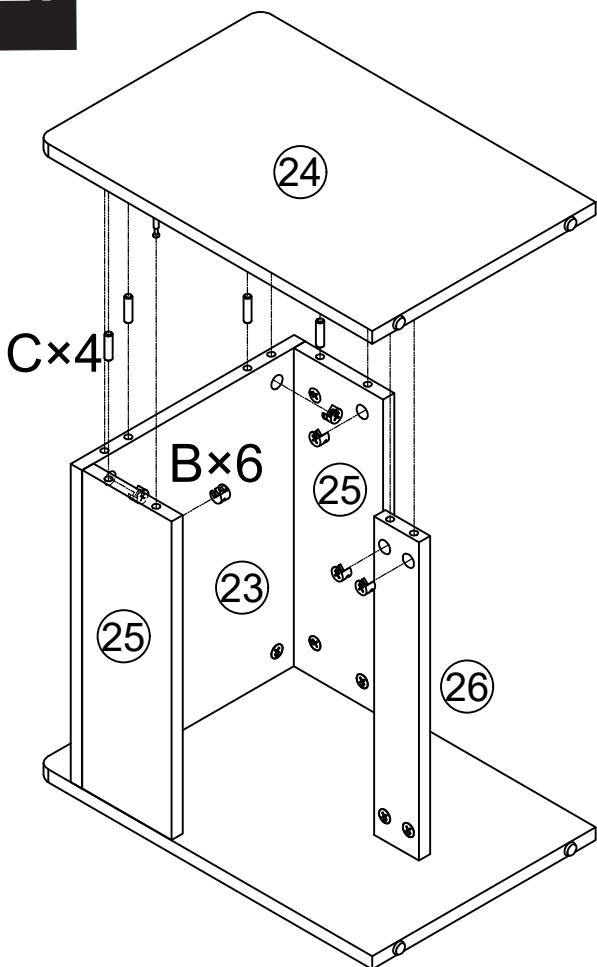




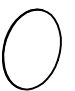
31.

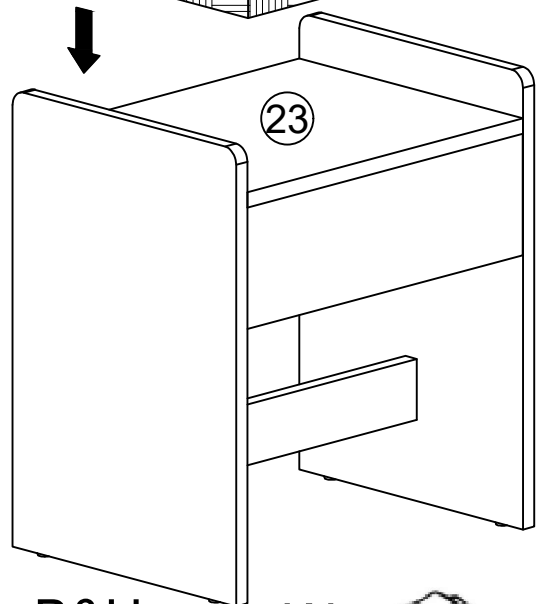
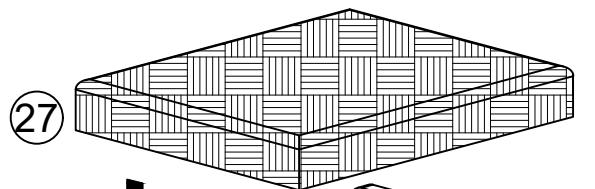


B×6PCS	C×4PCS
	
Ø15×12mm	Ø8×30mm

32.



B×6PCS	C×4PCS	W×60PCS
		
Ø15×12mm	Ø8×30mm	



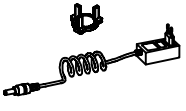
B&H



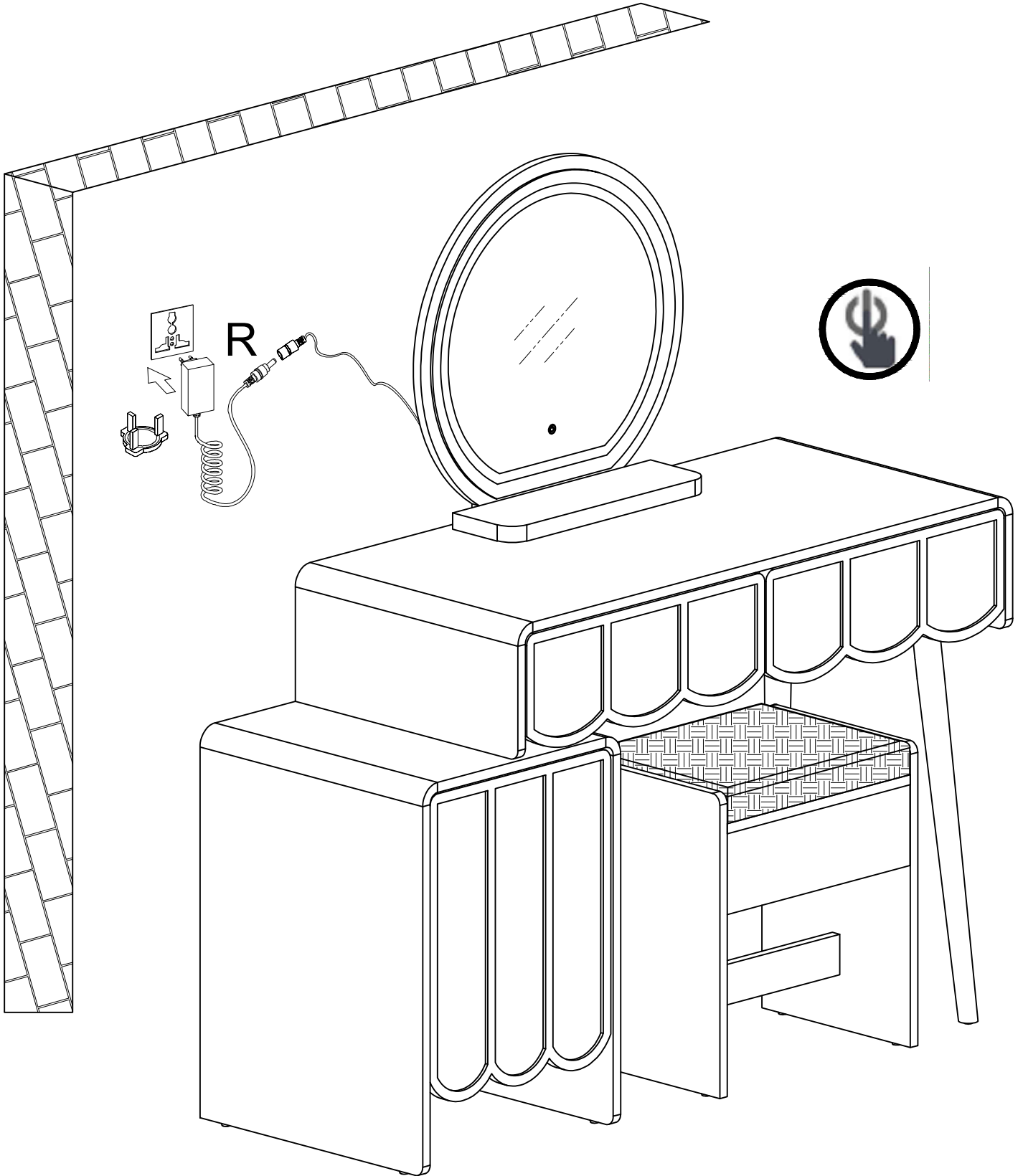
W




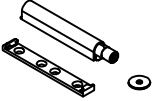
R×1PC

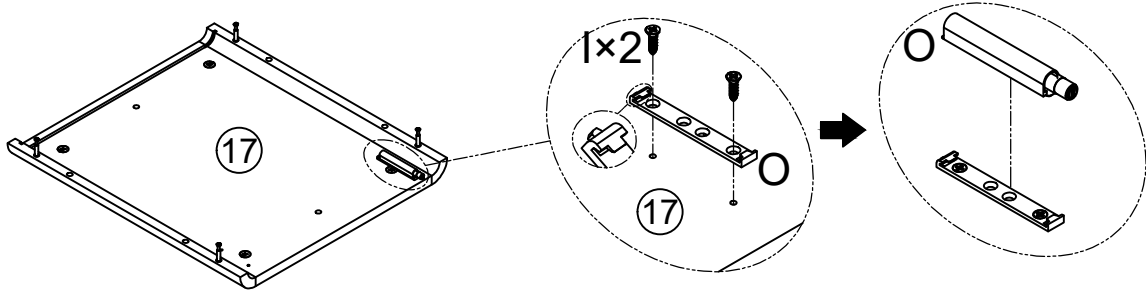


33a.





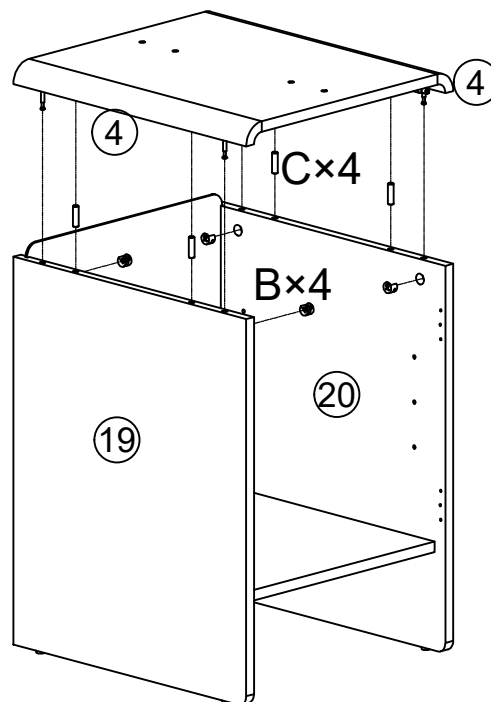
16b.

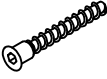

I×2PCS  Ø3×14mm	O×1PC 
----------------------------------------------------------------------------------------------------------	----------------------------------------------------------------------------------------------



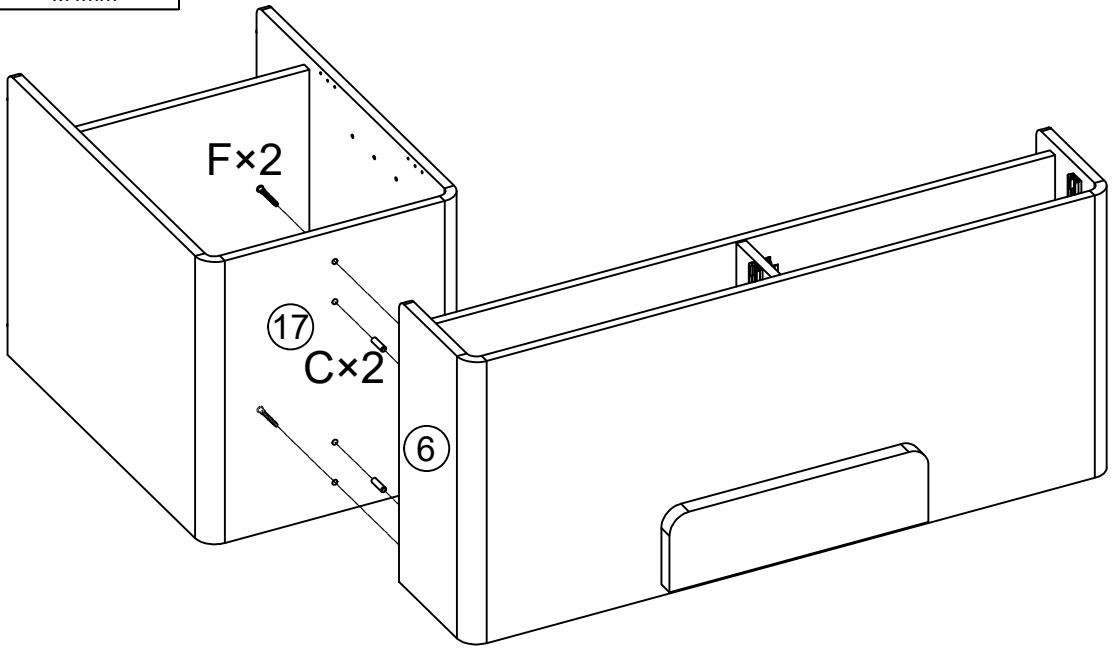
17b.


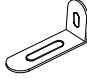


B×4PCS  Ø15×12mm	C×4PCS  Ø8×30mm
-------------------------------------------------------------------------------------------------------------	------------------------------------------------------------------------------------------------------------



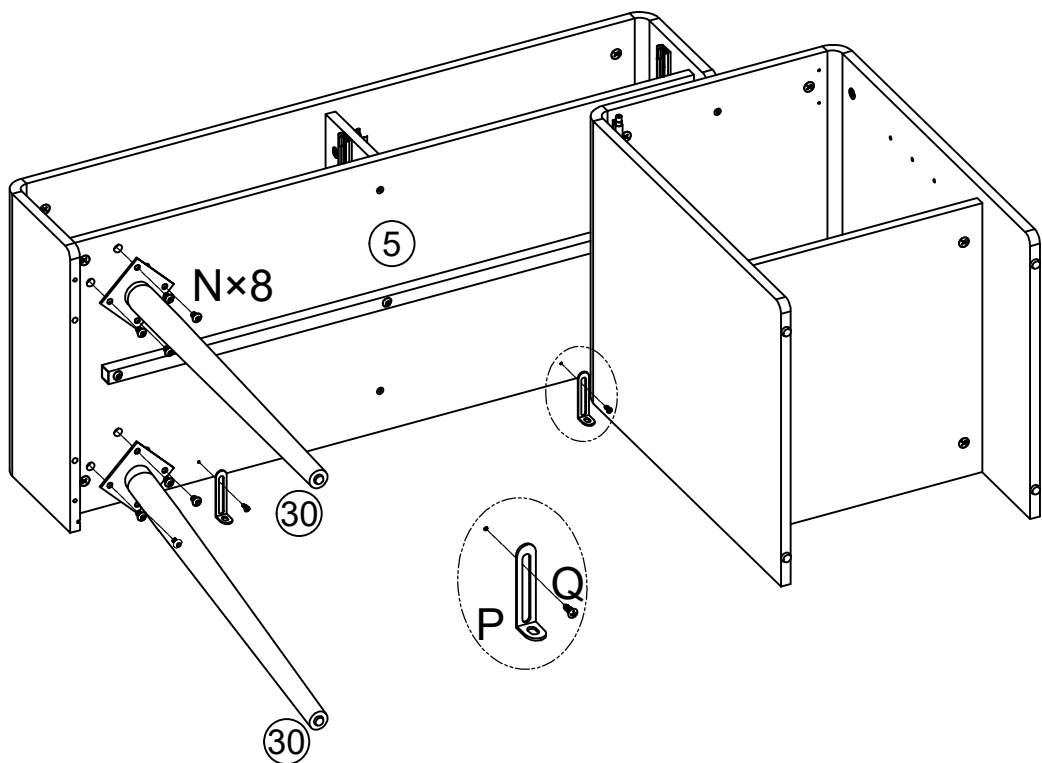
F×2PCS	L×1PC
	
Ø7×50mm	M4mm

18b.



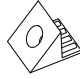



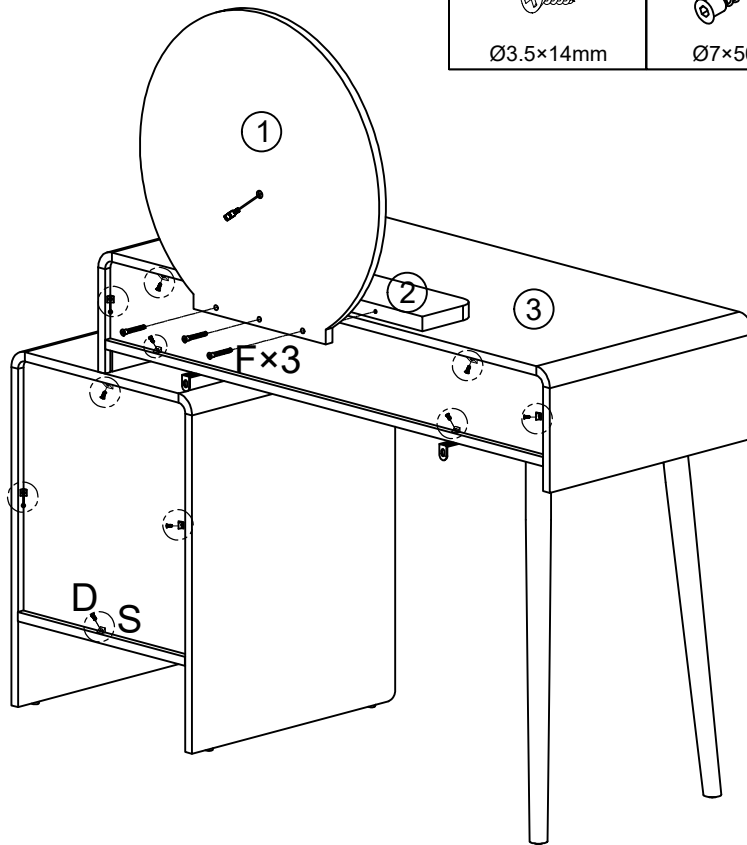
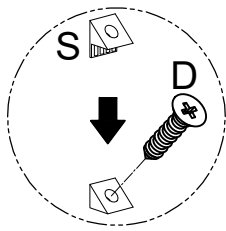
N×8PCS	P×2PCS	Q×2PCS	L×1PC
			
M6×12mm		Ø4×14mm	M4mm

19b.

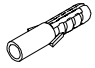



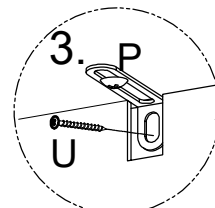
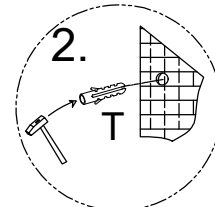
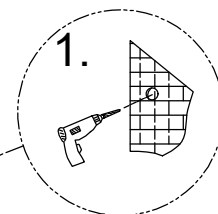
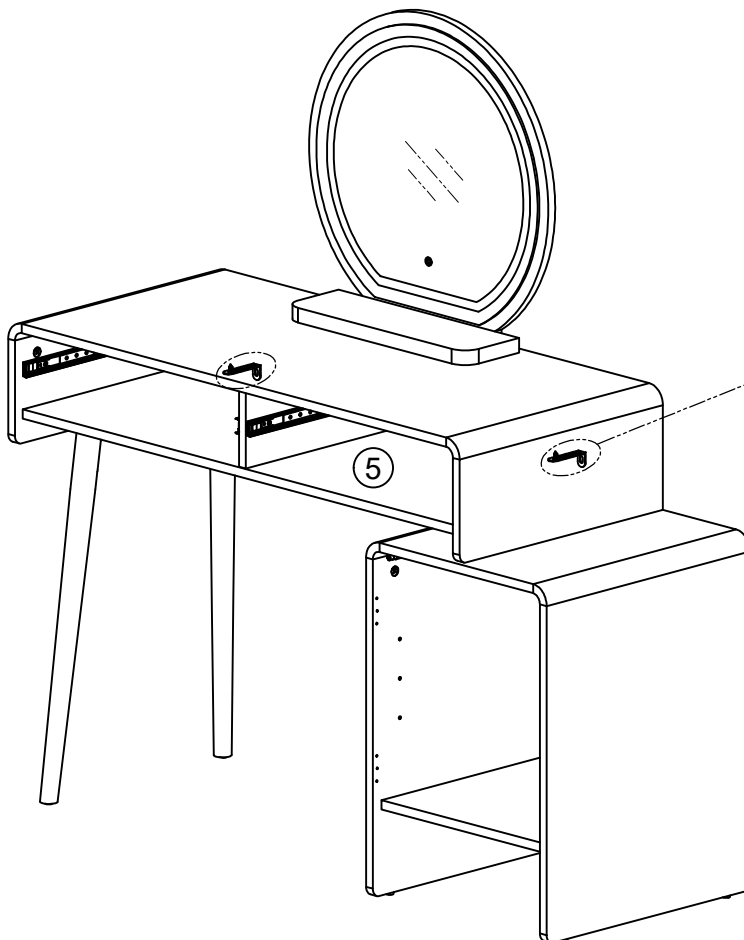
20b.


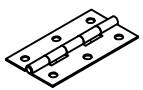
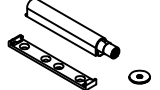
D×10PCS  Ø3.5×14mm	F×3PCS  Ø7×50mm	S×10PCS 
		L×1PC  M4mm



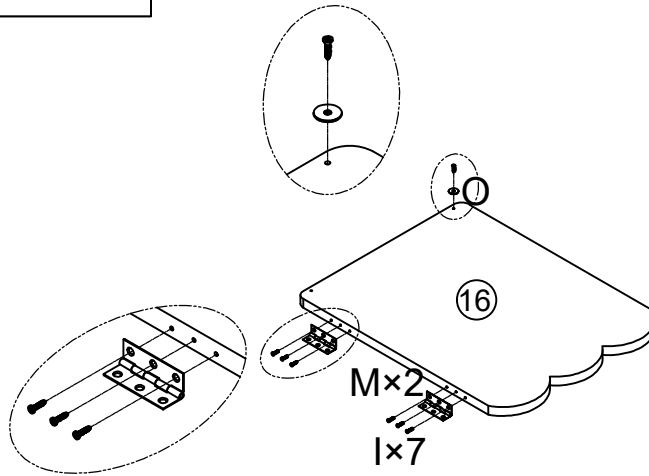
21b.


T×2PCS  Ø6×30mm	U×2PCS  Ø4×35mm
------------------------------------------------------------------------------------------------------------	------------------------------------------------------------------------------------------------------------



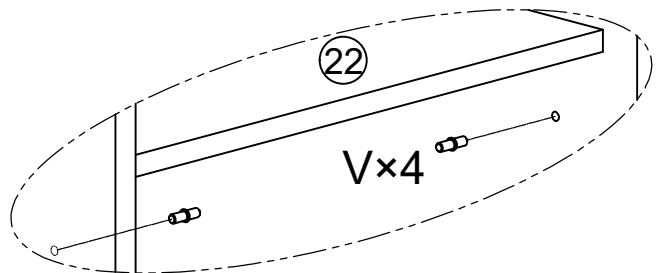
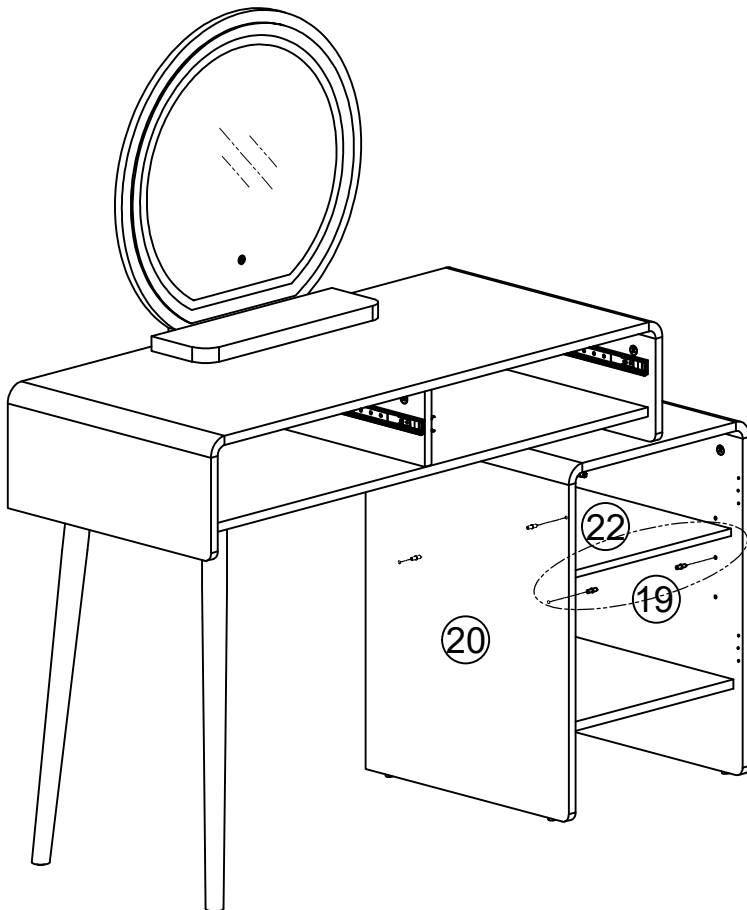
I×7PCS	M×2PCS	O×1PC
		
Ø3×14mm		

22b.



V×4PCS

Ø5×19mm

23b.

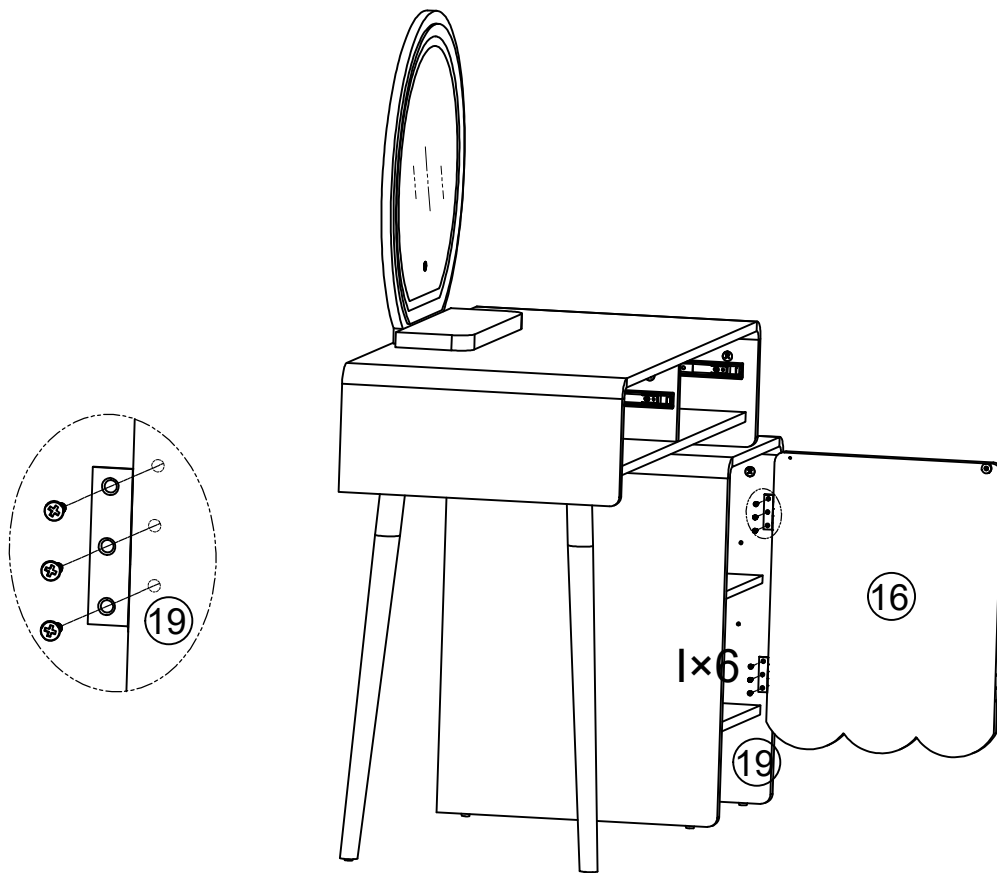


24b.

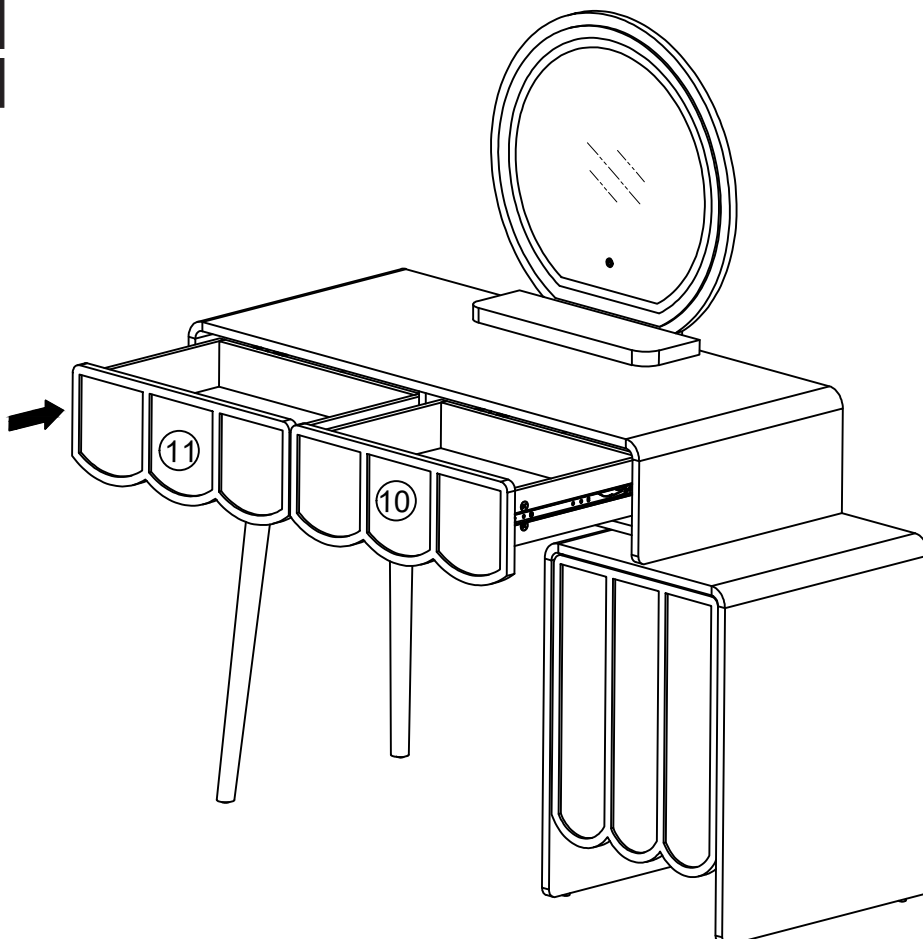
1×6PCS



Ø3×14mm



28b.



33b.

R×1PC

