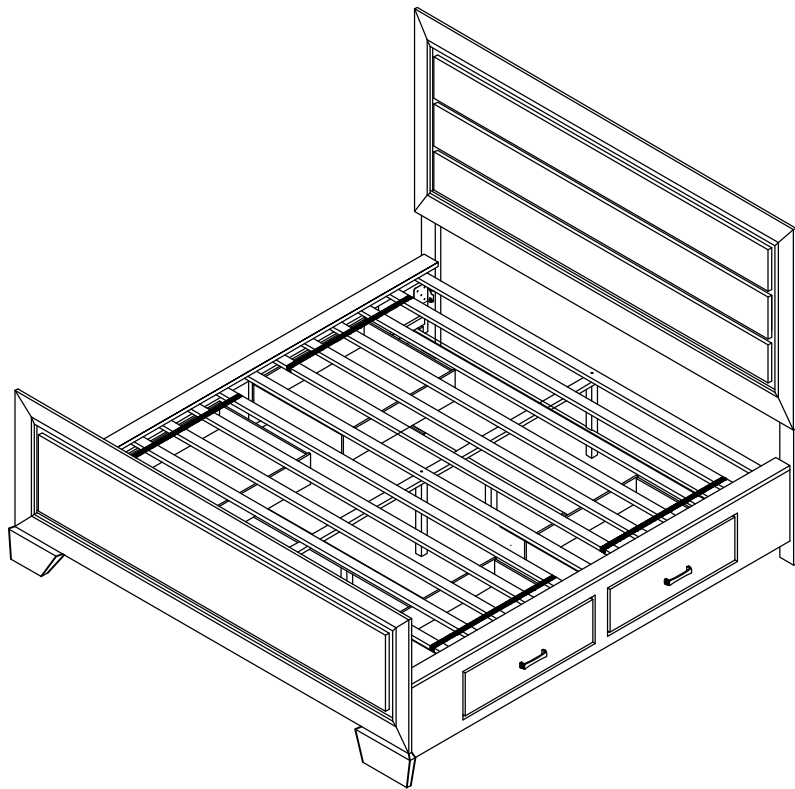


ASSEMBLY INSTRUCTIONS



Fine Furniture for every stage of life

California King Storage Bed

REVISION 0 : 04/08/2016
REVISION 1 : 11/14/2016
REVISION 2 : 11/12/2019

ASSEMBLY INSTRUCTIONS

ASSEMBLY TIPS:

- 1 . Remove hardware from box and sort by size.
- 2 . Please check to see that all hardware and parts are present prior to start of assembly.
- 3 . Please follow attached instructions in the same sequence as numbered to assure fast & easy assembly.



WARNING !

- 1 . Don't attempt to repair or modify parts that are broken or defective. Please contact the store immediately.
- 2 . This product is for home use only and not intended for commercial establishment.

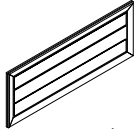
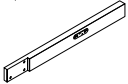
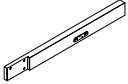
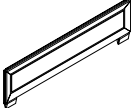


ASSEMBLY TIME

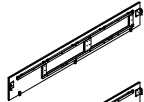
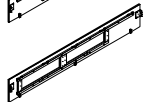
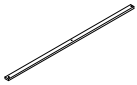

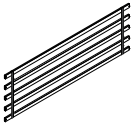
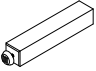
30 MINUTES

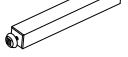

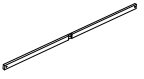

PARTS IDENTIFICATION

B1 (BOX 1)

A	HEADBOARD PANEL		1PC
B	LEFT HEADBOARD LEG		1PC
C	RIGHT HEADBOARD LEG		1PC
D	FOOTBOARD		1PC

B2 (BOX 2)

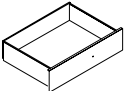
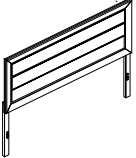
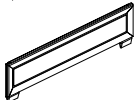
E	LEFT BED RAIL		1PC
F	RIGHT BED RAIL		1PC
G	BED SLAT WITH 3 HOLES		3PCS
H	DRAWER SLAT		2PCS
I	ROLL SLAT (5PCS)		2SETS
J	STORAGE FOOTBOARD SUPPORT LEG		3PCS

K	CENTER RAIL SUPPORT WITH LEVELER		3PCS
L	CENTER RAIL		1PC
M	BOTTOM CROSS BAR		3PCS
N	RAIL TOP		2PCS

B3 (BOX 3)

O	DRAWER BOX		2PCS
---	------------	---	------

B4 (BOX 4)

P	DRAWER BOX		2PCS
HB	FROM BOX 1 HEADBOARD COMPLETE		1PC
D	FROM BOX 1 FOOTBOARD		1PC

ASSEMBLY INSTRUCTIONS

ASSEMBLY TIPS:

- 1 . Remove hardware from box and sort by size.
- 2 . Please check to see that all hardware and parts are present prior to start of assembly.
- 3 . Please follow attached instructions in the same sequence as numbered to assure fast & easy assembly.



WARNING !

- 1 . Don't attempt to repair or modify parts that are broken or defective. Please contact the store immediately.
- 2 . This product is for home use only and not intended for commercial establishment.

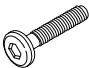





ASSEMBLY TIME

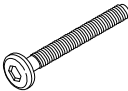

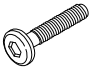





30 MINUTES

HARDWARE IDENTIFICATION

BOX 1 - HARDWARE PACK

1	BOLT (M6 x30mm - BLK)		6PCS	3	FLAT WASHER (1/4" x13mm - BLK)		6PCS
2	LOCK WASHER (1/4" - BLK)		6PCS	4	ALLEN WRENCH (M4 x 65mm - BLK)		1PC

BOX 2 - HARDWARE PACK

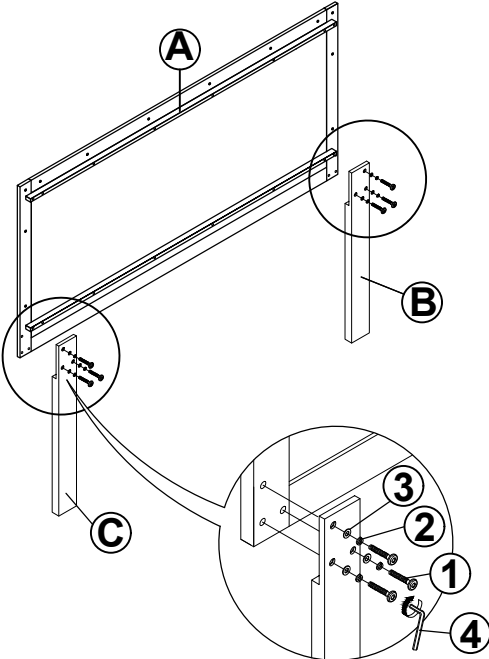
5	LONG BOLT (M6 x50mm - BLK)		5PCS	9	LONG FLAT HEAD SCREW (M4 x 32mm - RBW)		43PCS
6	SHORT BOLT (M6 x35mm - BLK)		8PCS	10	SHORT FLAT HEAD SCREW (M4 x 16mm - RBW)		4PCS
7	LOCK WASHER (1/4" - BLK)		8PCS	11	SMALL ALLEN WRENCH (M4 x 100mm - BLK)		1PC
8	FLAT WASHER (1/4" x20mm - BLK)		8PCS	12	BIG ALLEN WRENCH (M5 x 65mm - BLK)		1PC

NOTE:

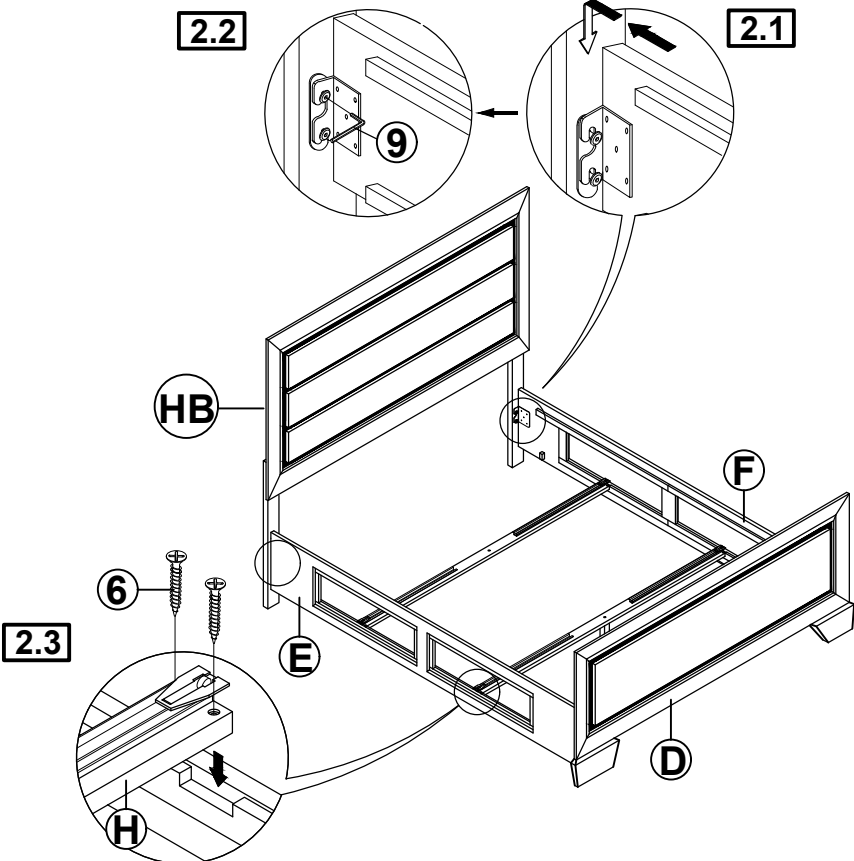
Philips head screw driver in the assembly process ; however, manufacturer does not provide the item

ASSEMBLY INSTRUCTIONS

STEP 1

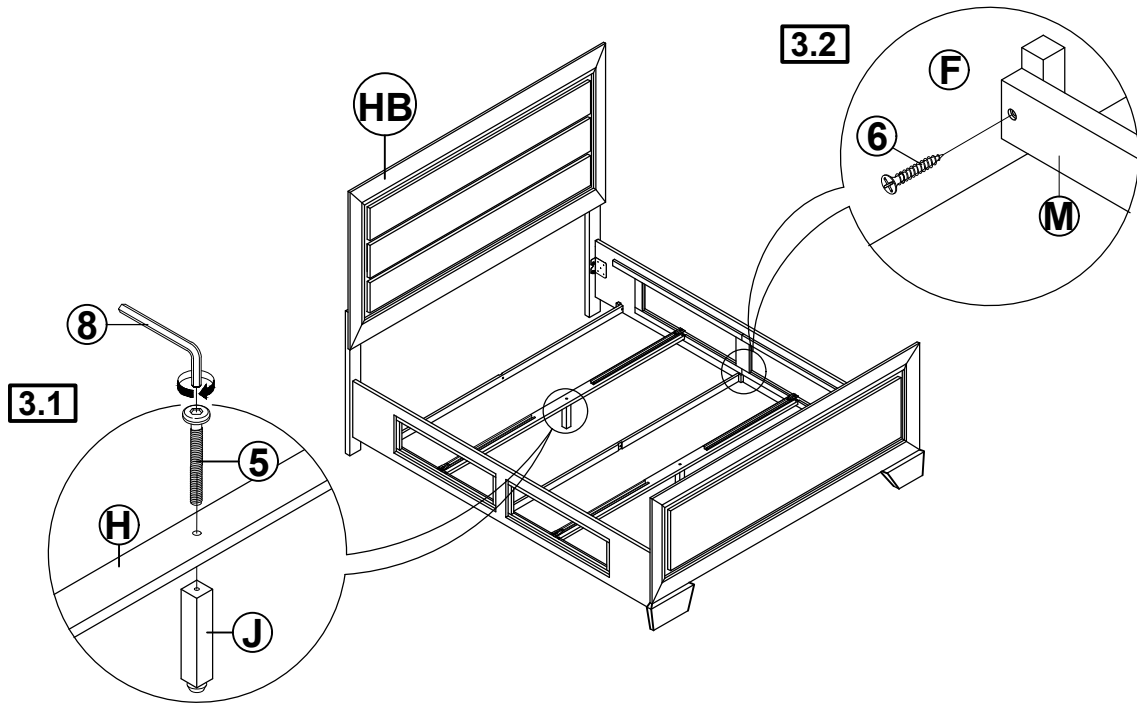


STEP 2

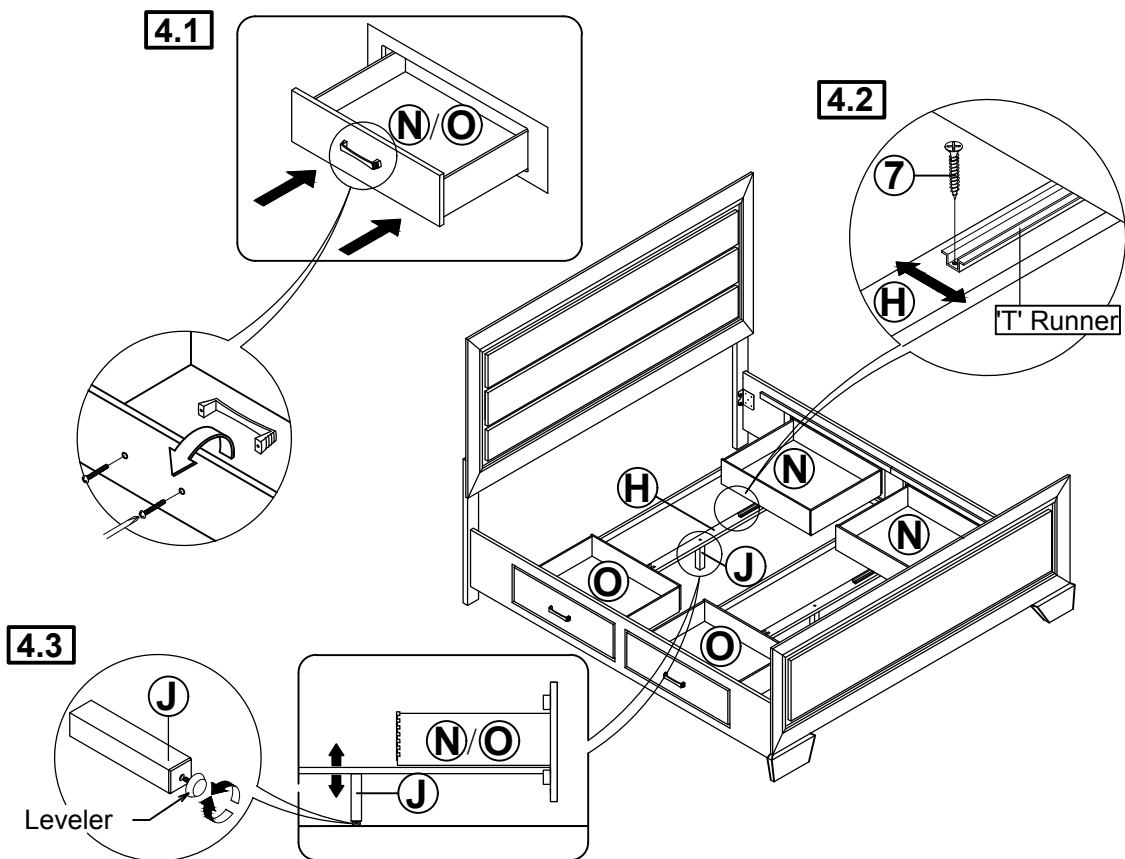


ASSEMBLY INSTRUCTIONS

STEP 3

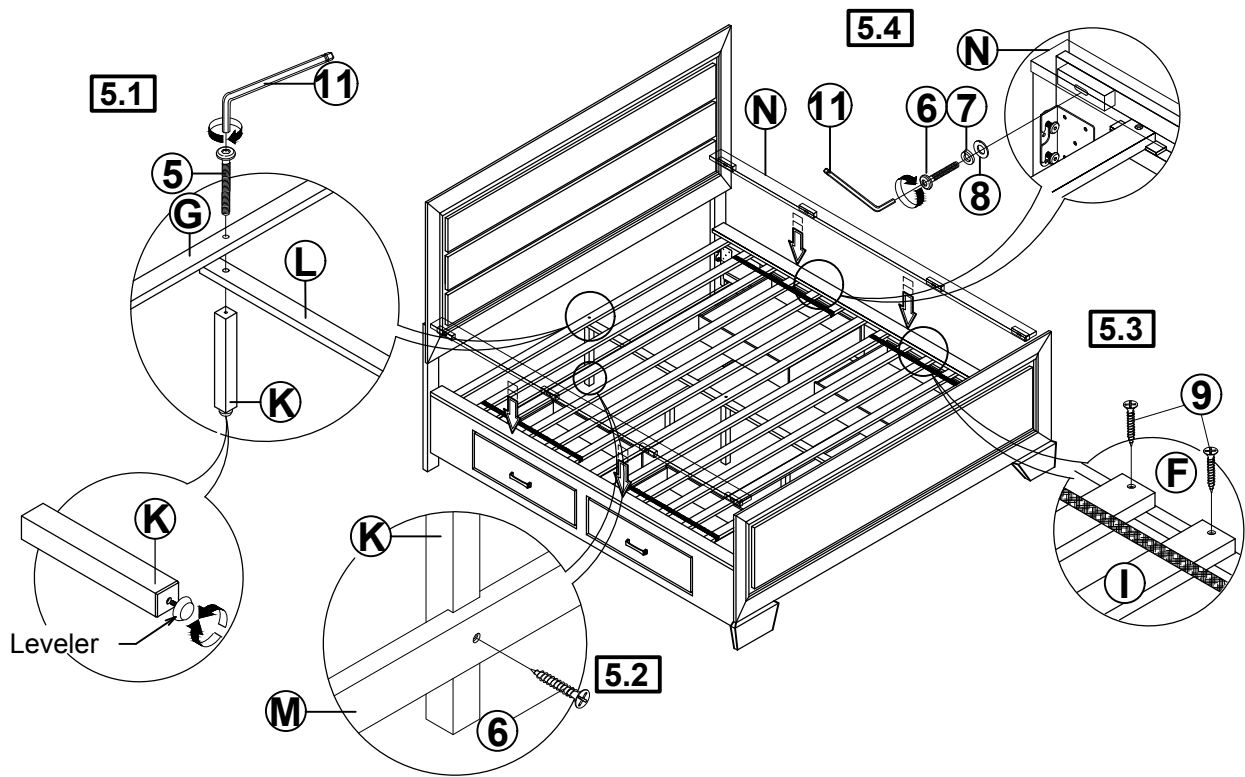


STEP 4

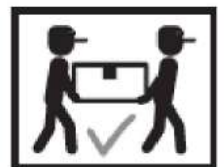
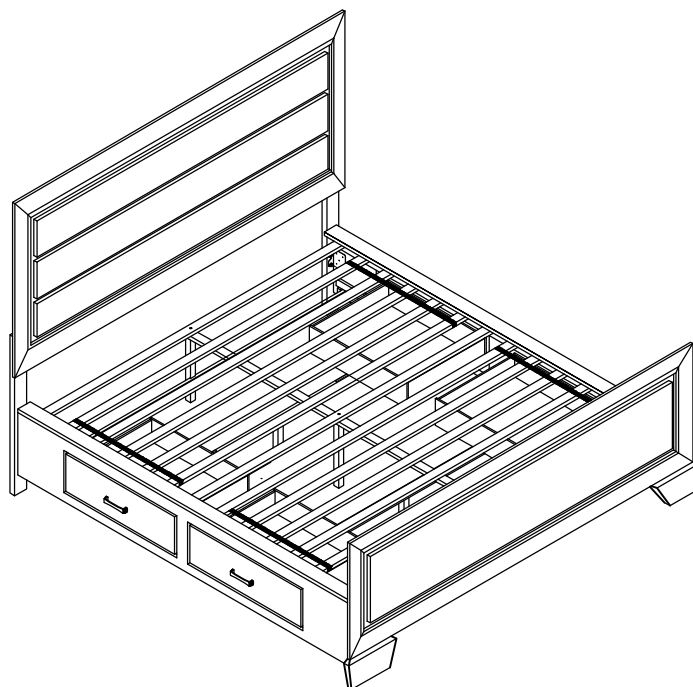


ASSEMBLY INSTRUCTIONS

STEP 5

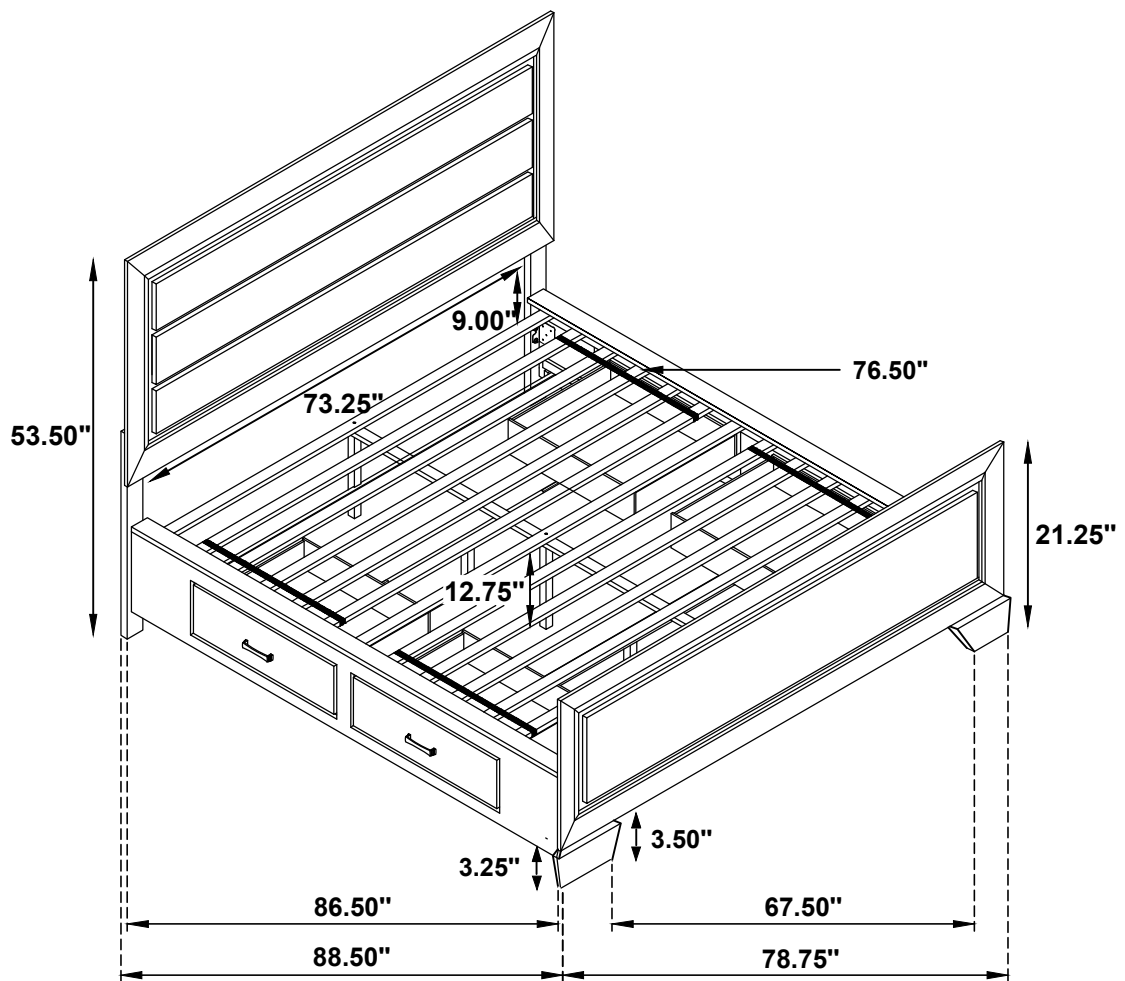


STEP 6 COMPLETE



Inner Size : 73.50"W X 86.50"D

Inner Size of Drawer : 24.00"W X 17.75"D X 5.75"H X 0.25T



Note : Dimension tolerance $\pm 5\%$