

WARNING!!

Children have died from furniture tipover. Tip restraints have been included with this product; you must install the tip restraints according to these instructions in order to minimize the risk of furniture tipping. If you have any questions about this product or the tip restraint, please send us an email at tip_restraint_help@Noblehousefurniture.com

NEVER allow children to climb or hang on furniture, including drawers or cabinet doors.

In addition to installing the restrains, to help prevent tip-over

1. **NEVER** put a TV or other heavy objects on top of this product".
2. Do not stand on the product

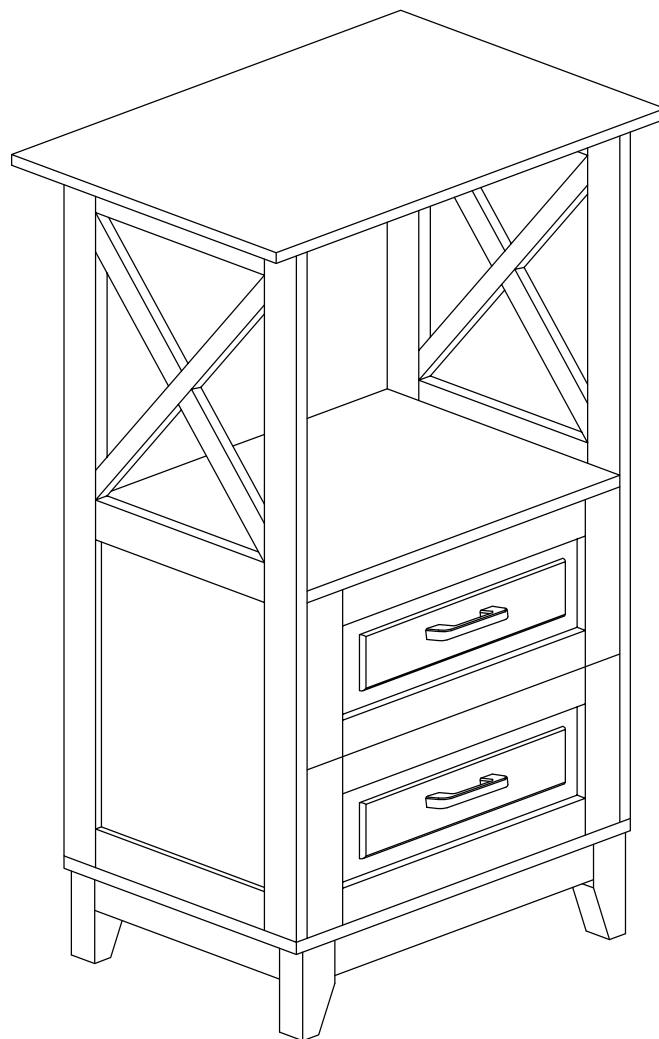
⚠ WARNING	
	<p>Children have died from furniture tipover. To reduce the risk of furniture tipover:</p> <ul style="list-style-type: none">• ALWAYS install tipover restraint provided.• NEVER put a TV on this product.• NEVER allow children to stand, climb or hang on drawers, doors, or shelves.• NEVER open more than one drawer at a time.• Place heaviest items in the lowest drawers.• Do not defeat or remove the drawer interlock system. <p><i>This is a permanent label. Do not remove!</i></p>
	

Assembly Instructions

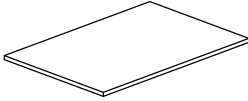
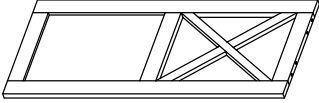
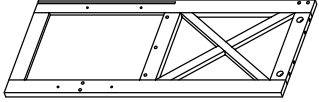
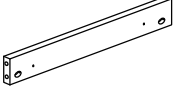
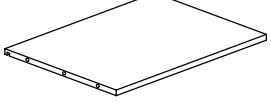
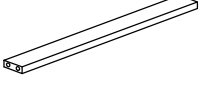
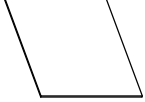
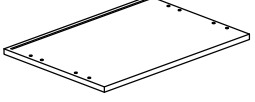
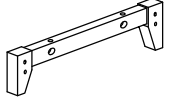

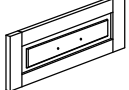

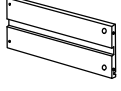


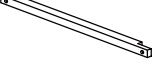
Caution : You must read this before you proceed

Please look in the magic tape for hardware packs and legs.

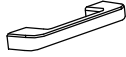

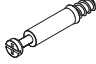

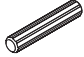
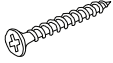
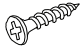

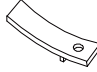

Cabinet







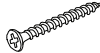


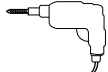
Parts List

Label	Picture	Description	QTY
A		Top Panel	1
B		Left Side Panel	1
C		Right Side Panel	1
D		Back Connect Bar	1
E		Middle Panel	1
F		Front Connect Bar	1
G		Back Panel	1
H		Bottom Panel	1
I		Leg	2
J		Leg Connect Bar	2
K		Drawer Front Panel	2
L		Drawer Back Panel	2
M		Drawer Left Panel	2
N		Drawer Bottom Panel	2
O		Drawer Right Panel	2
P		Drawer Slide Bar	4

Hardware

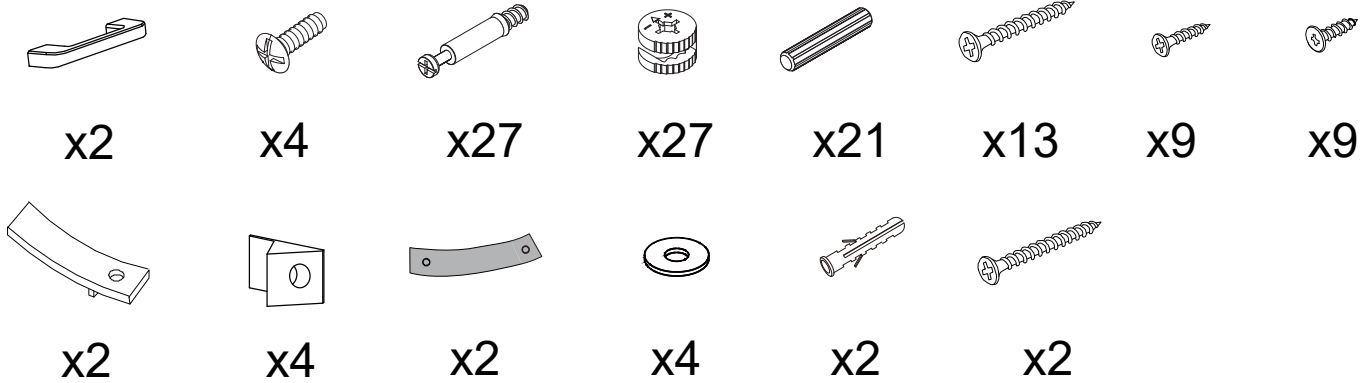
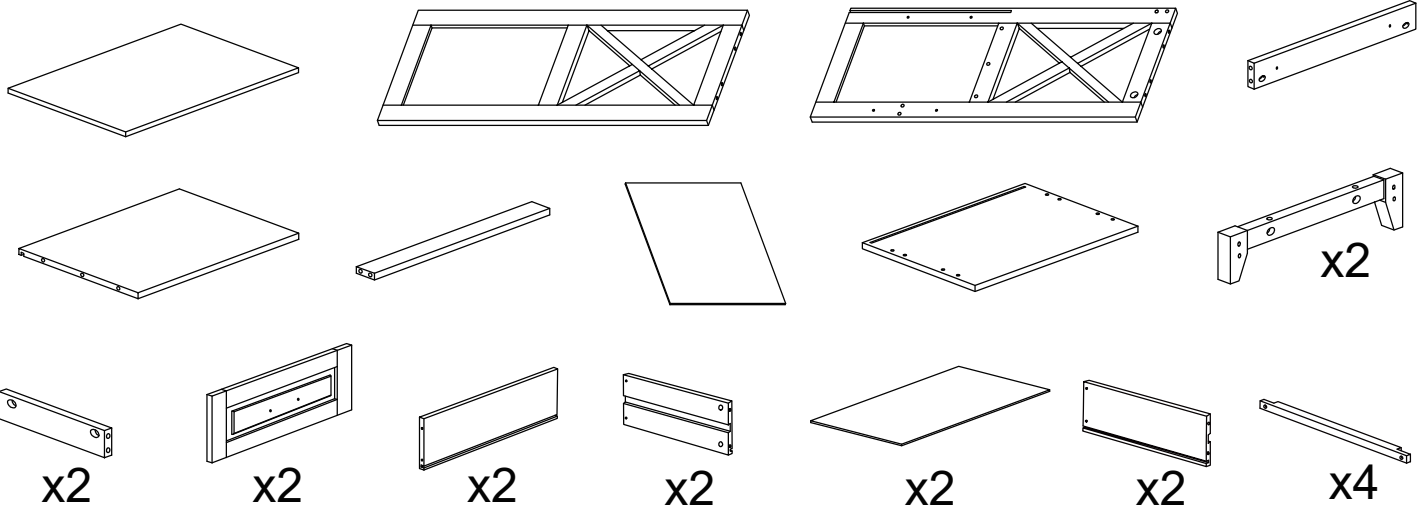
Label	Picture	Description	QTY
①		Handle	2
②		Handle Bolt (M4x22mm)	4
③		Cam Bolt	27
④		Cam Nut	27
⑤		Dowel (M6x30mm)	21
⑥		Screw (M4x35mm)	13
⑦		Screw (M4x20mm)	9
⑧		Screw (M3x12mm)	7
⑨		Drawer Stopper	2
⑩		Back Button	4

Restraint Device Hardware

⑪		Screw (M3x12mm)	2
⑫		Restraint Strap	2
⑬		Metal Gasket	4
⑭		Wall Anchor Screw	2
⑮		Screw (M4x35mm)	2
⑯		Screwdriver (Not provided)	1
⑰		Hammer (Not provided)	1
⑱		Power Drill (Not provided)	1

Assembly Preparation

Before Beginning Assembly:



- Read instructions, cover to cover-



- Have 2 adults on hand for assembly-



- Do not assemble on flooring or carpet-



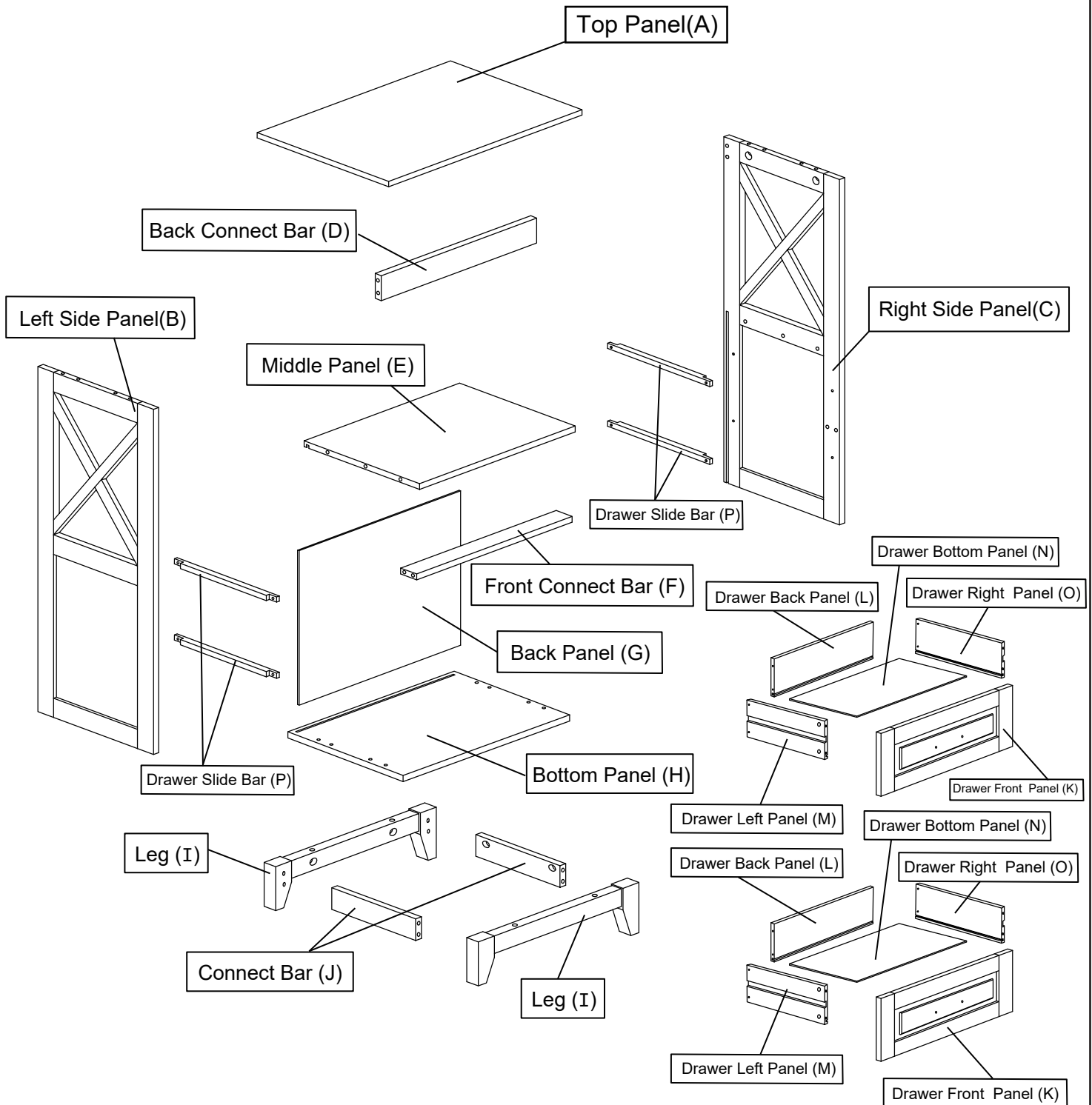
- Assemble on a clean non-marring surface (packing foam)-



- Save all packaging until finished-

Assembly Steps

Overview

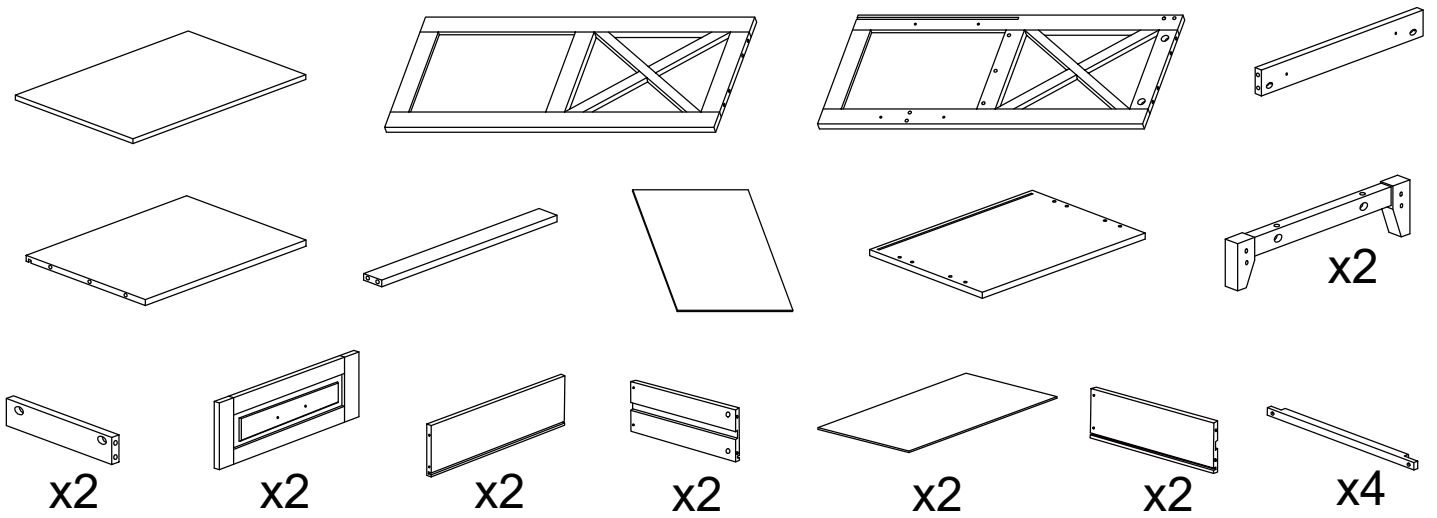


This Cabinet has multiple parts and may require up to 60 minutes to assemble.

To give you an overview of the Cabinet parts, the above picture is to help you put the various parts into perspective.

Please read through the instructions below to familiarise yourself with the parts and steps before assembly.

Step 1

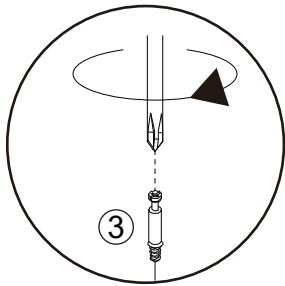
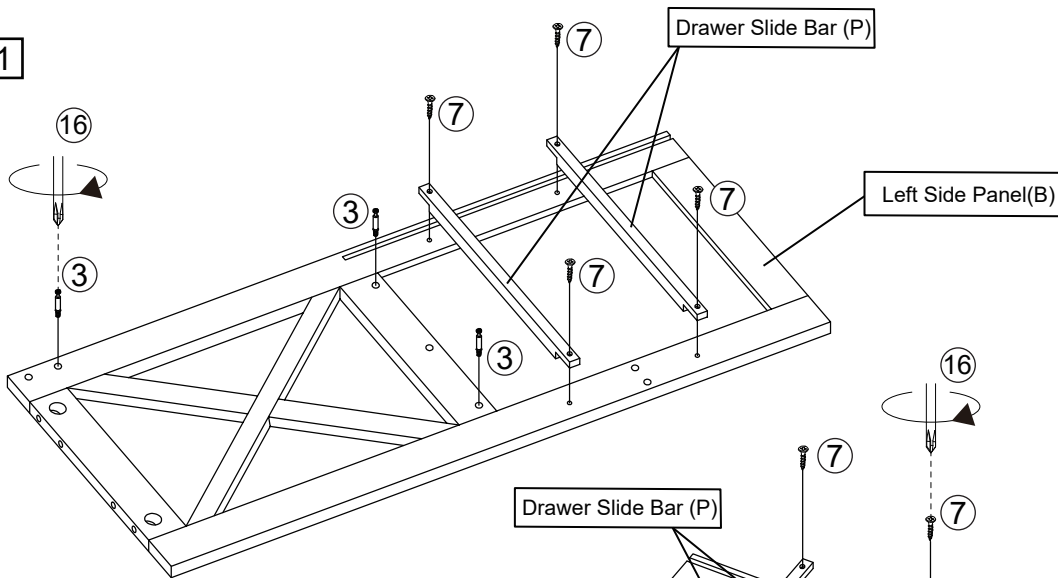


Unpack and place all parts on a clean, non-marring surface.

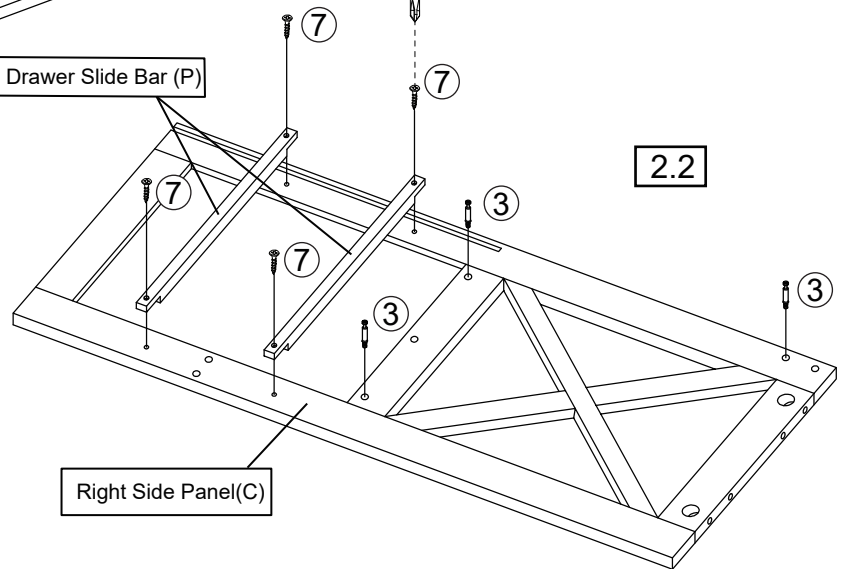
Step 2

	③ x 6		⑦ x 8
	⑩ x 1		

2.1

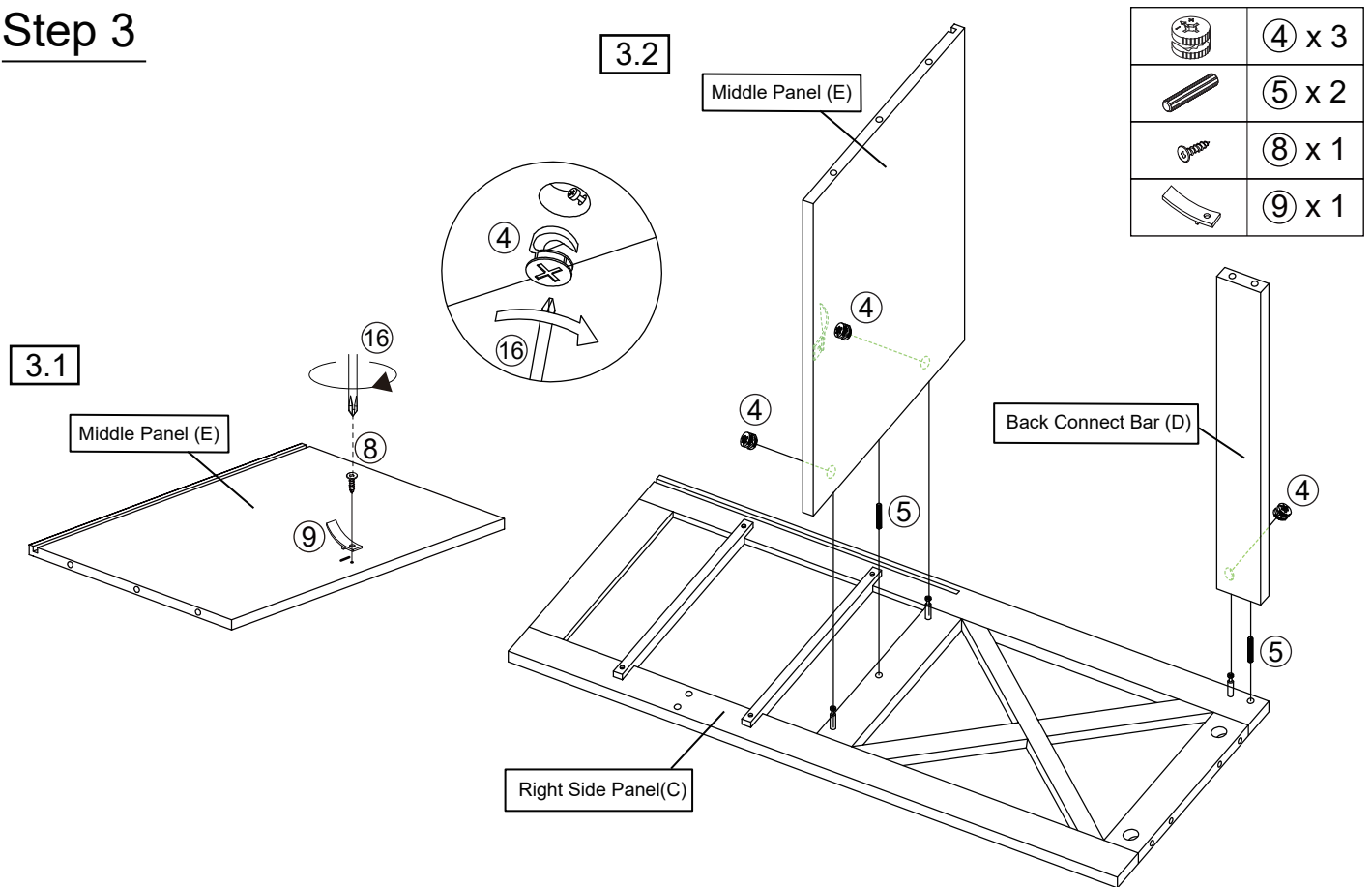


2.2



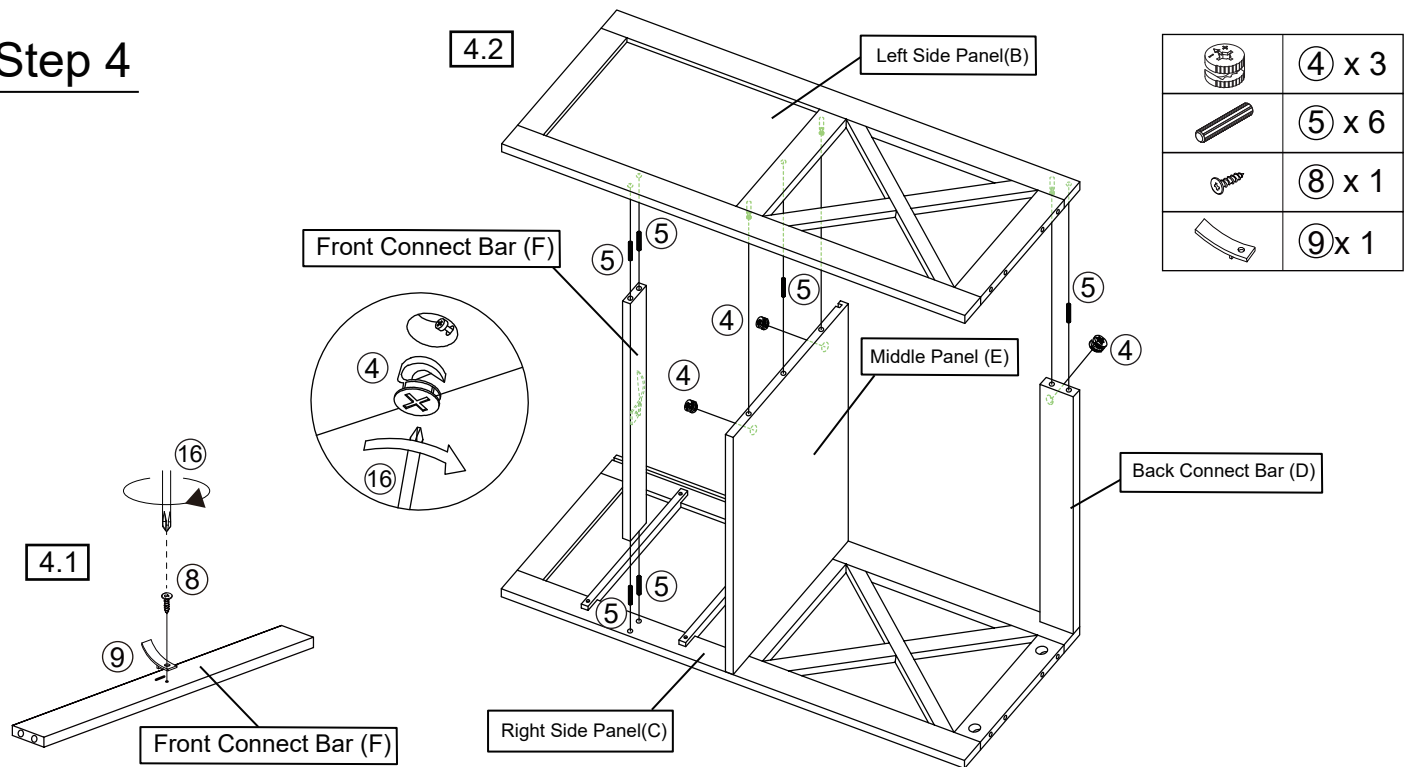
2.1) Attach Drawer Slide Bar (P) to Left Side Panel (B) with Screw (⑦) using Screwdriver (⑩). Insert Cam Bolt (③) into the mounting positions on Left Side Panel (B) using Screwdriver (⑩).
 2.2) Repeat the same step with Right Side Panel (C).

Step 3



- 3.1) Attach Drawer Stopper (⑨) to Middle Panel (E) with Screw (⑧) using Screwdriver (⑯).
- 3.2) Attach Middle Panel (E) and Back Connect Bar (D) to Right Side Panel (C) with Dowel (⑤), then insert Cam Nut (④) into Middle Panel (E) and Back Connect Bar (D) using Screwdriver (⑯) turning clockwise until tight.

Step 4



- 4.1) Attach Drawer Stopper (⑨) to Front Connect Bar (F) with Screw (⑧) using Screwdriver (⑯).
- 4.2) Attach Front Connect Bar (F) to Right Side Panel (C) with Dowel (⑤), then attach Left Side Panel (B) to Front Connect Bar (F), Middle Panel (E) and Back Connect Bar (D) with Dowel (⑤), then insert Cam Nut (④) into Middle Panel (E) and Back Connect Bar (D) using Screwdriver (⑯) turning clockwise until tight.

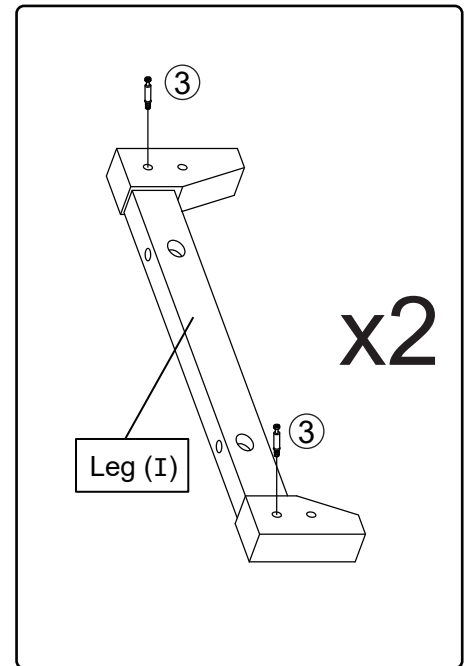
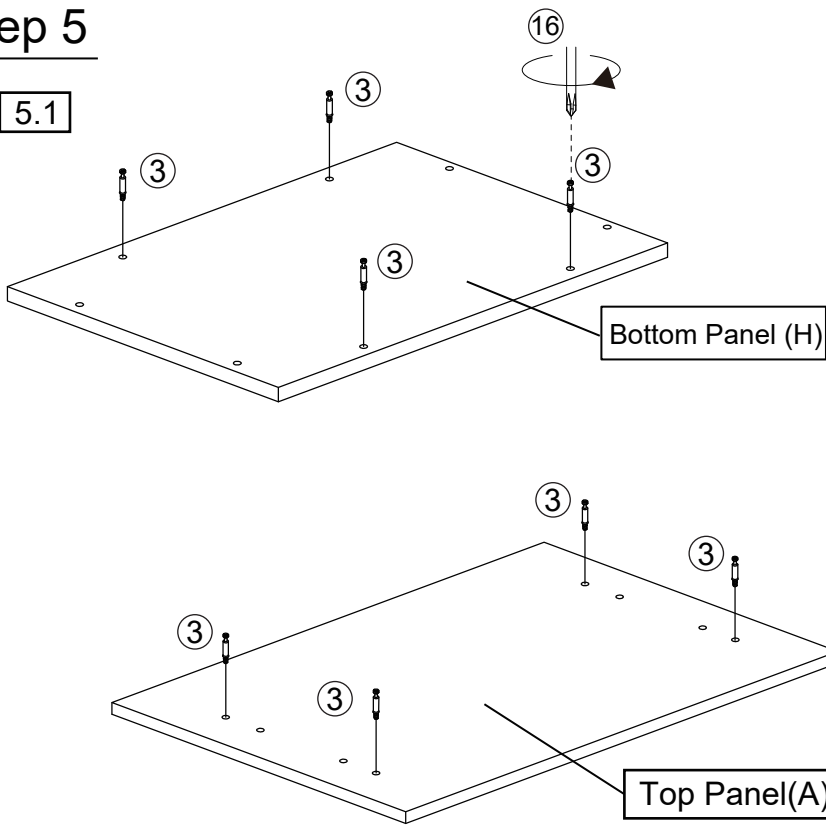
Step 5

5.2



③ x12

5.1



5.1) Insert Cam Bolt (③) into the mounting positions on Top Panel (A) and Bottom Panel (H) using Screwdriver (⑯).

5.2) Insert Cam Bolt (③) into the mounting positions on two Legs (I) using Screwdriver (⑯).

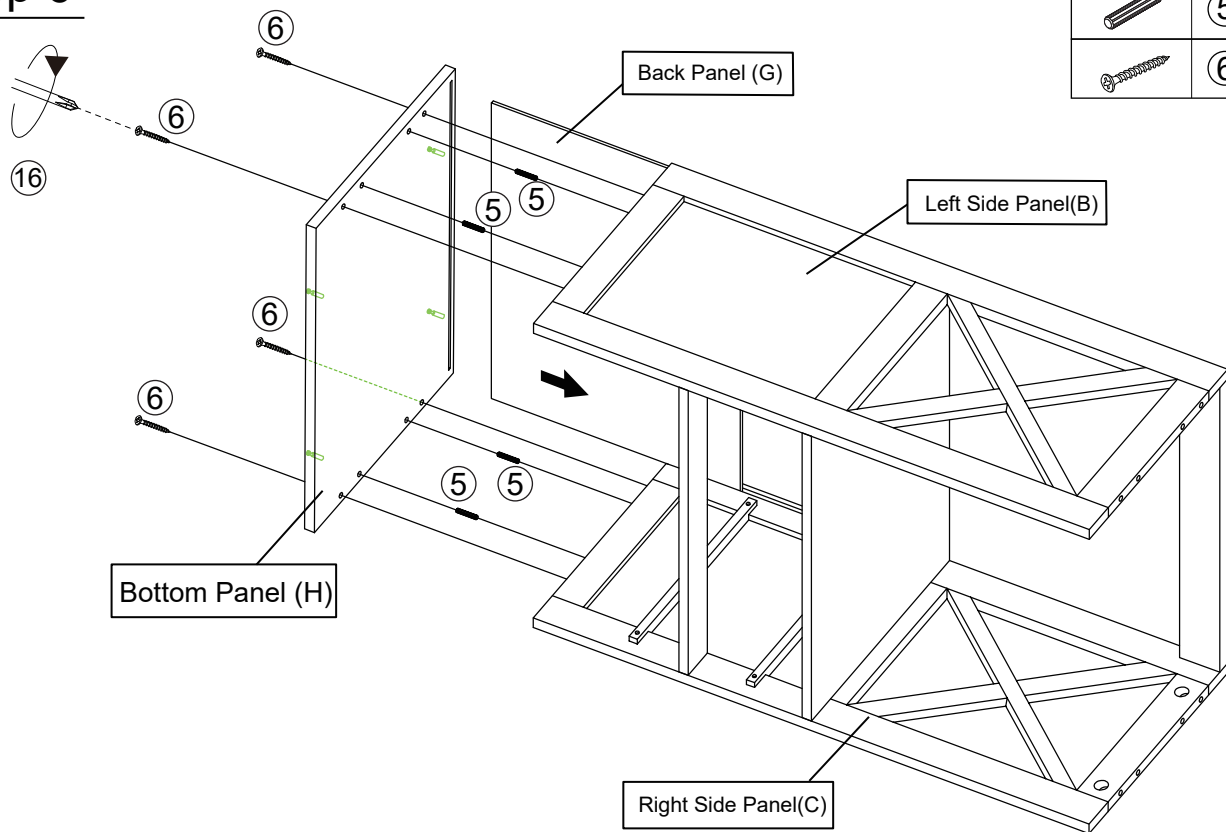
Step 6



⑤ x 4



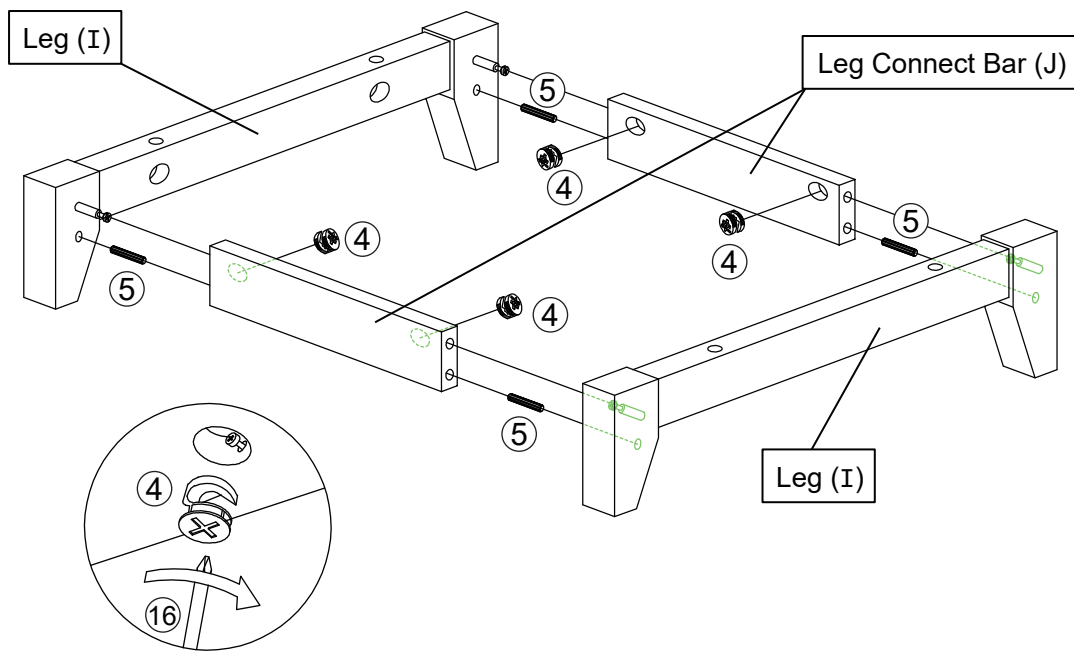
⑥ x 4



Insert Back Panel (G) into the groove of Left Side Panel (B) and Right Side Panel (C), then attach Bottom Panel (H) with Dowel (⑤) and Screw (⑥) using Screwdriver (⑯). then attach Bottom Panel (H) to Left Side Panel (B) and Right Side Panel (C) with Dowel (⑤) and Screw (⑥) using Screwdriver (⑯).

Step 7

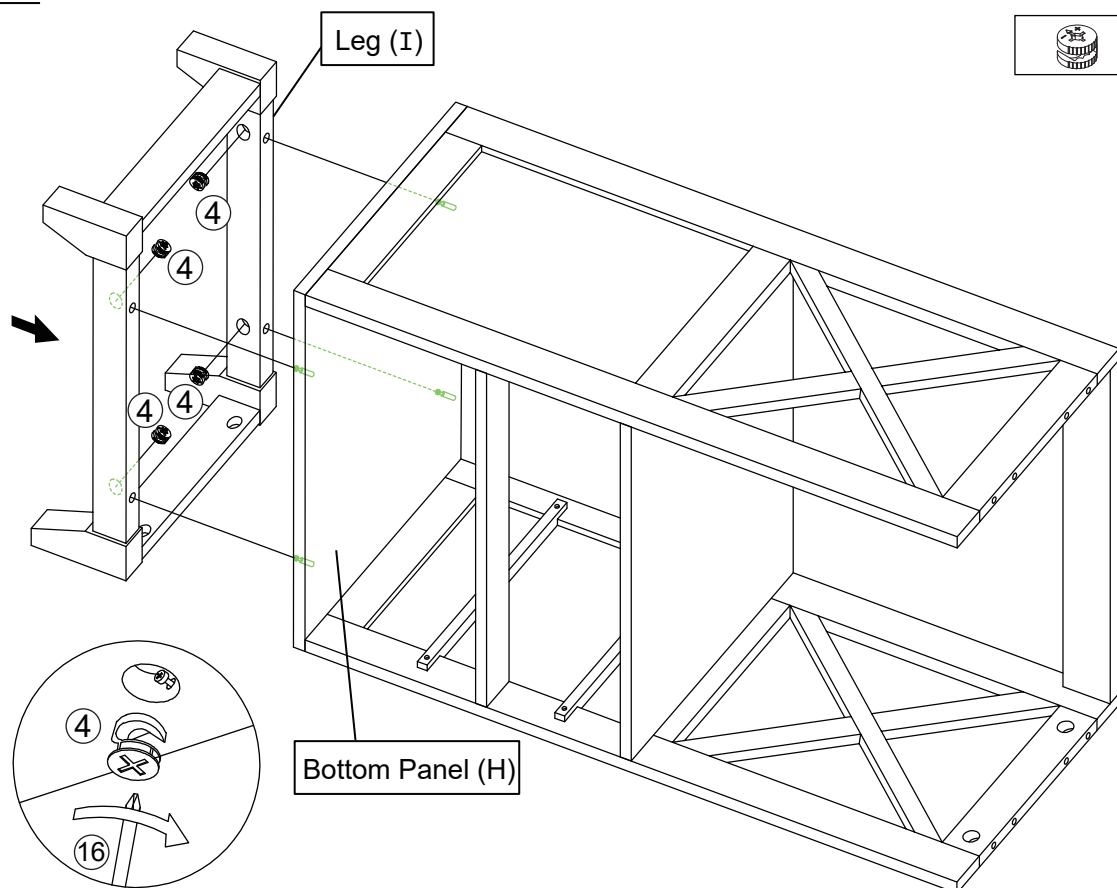
	④ x 4
	⑤ x 4



Attach two Leg Connect Bars (J) to two Legs (I) with Dowel (⑤), then insert Cam Nut (④) to Leg Connect Bar (J) using Screwdriver (⑯) turning clockwise until tight.

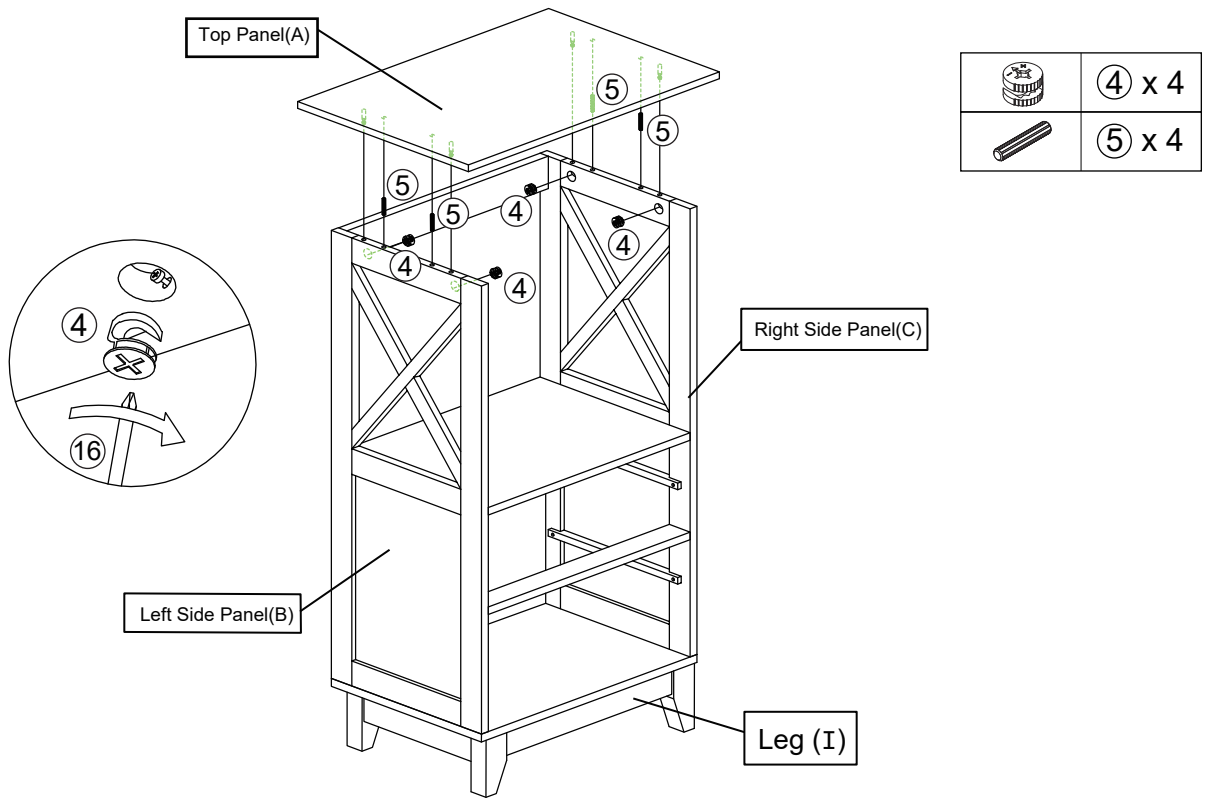
Step 8

	④ x 4
--	-------



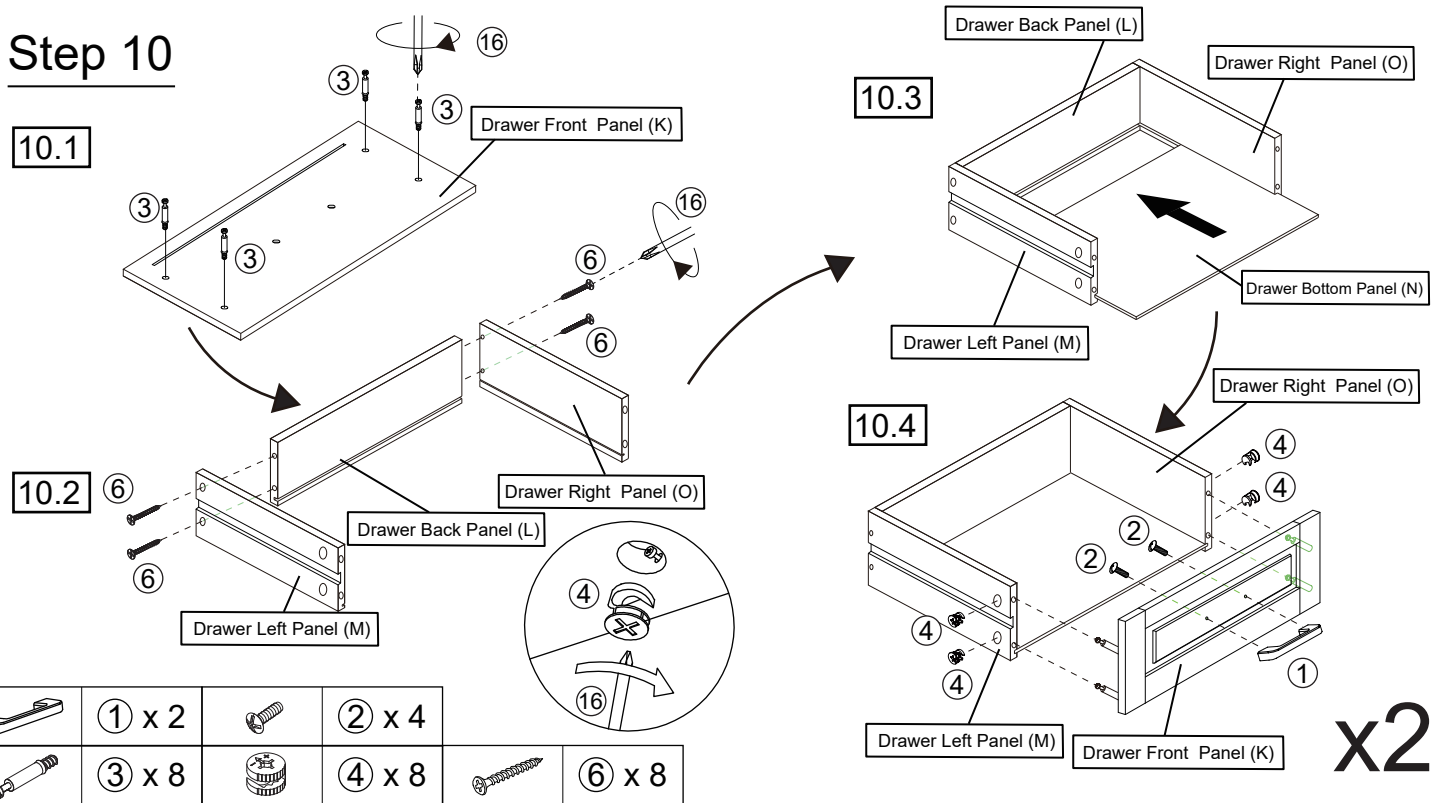
Attach Leg (I) to Bottom Panel (H), then insert Cam Nut (④) to Leg (I) using Screwdriver (⑯) turning clockwise until tight.

Step 9



Position the Leg(I) right side up. Attach Top Panel (A) to Left Side Panel (B) and Right Side Panel (C) with Dowel (5) , then insert Cam Nut (4) to Left Side Panel (B) and Right Side Panel (C) using Screwdriver (16) turning clockwise until tight.

Step 10



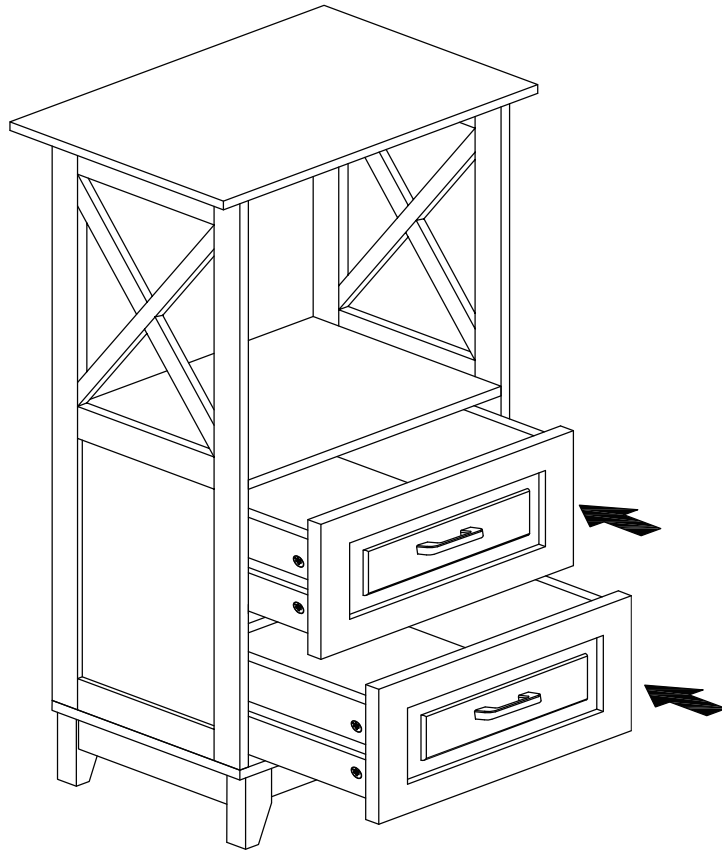
10.1) Insert Cam Bolt (3) into the mounting positions on Drawer Front Panel (K) using Screwdriver (16).

10.2) Attach Drawer Left Panel (M) and Drawer Right Panel (O) to Drawer Back Panel (L) with Screw (6) using Screwdriver (16).

10.3) Insert Drawer Bottom Panel (N) into groove of Drawer Left Panel (M) , Drawer Back Panel (L) and Drawer Right Panel (O) .

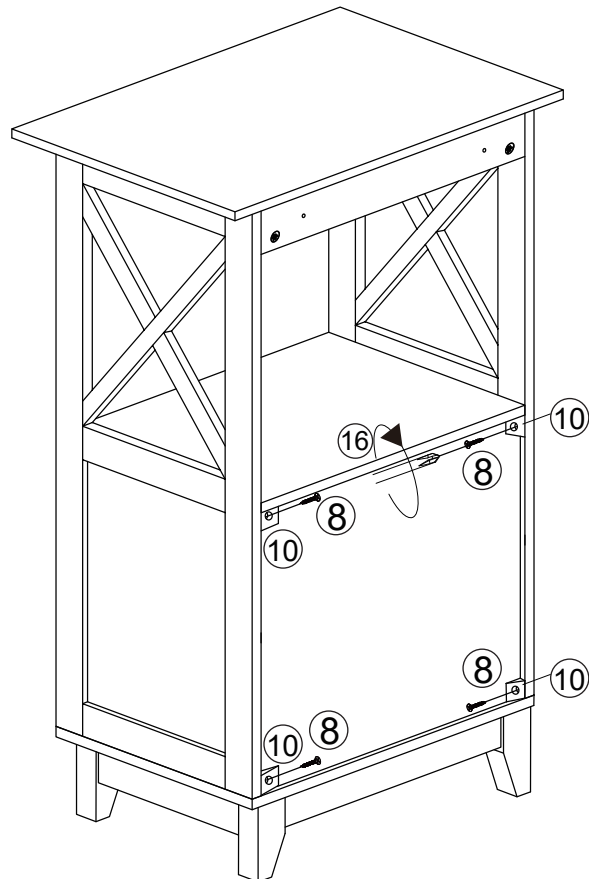
10.4) Attach Handle (1) to Drawer Front Panel (K) with Handle Bolt (2) using Screwdriver (16), then attach Drawer Front Panel (K) to Drawer Left Panel (M) and Drawer Right Panel (O) , then insert Cam Nut (4) using Screwdriver (16) turning clockwise until tight.

Step 11



Put the Drawer into the drawer slide.

Step 12



	⑩ x 4
	⑧ x 4

Insert Back Bottom (⑩) to the the conner of back as position with Screw (⑧) using Screwdriver (⑯)

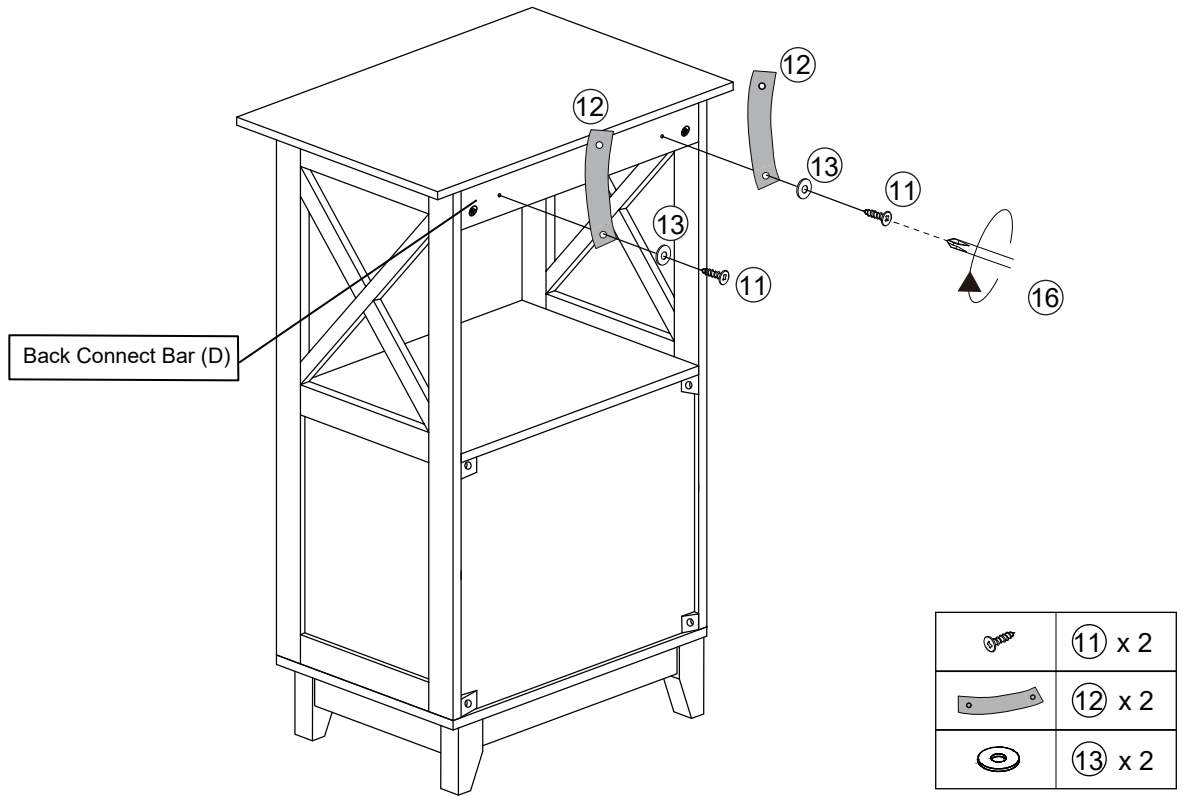


WARNING

Serious or fatal crushing injuries can occur from tipping furniture. To help prevent tip-over: ALWAYS secure this furniture to the wall using Cabinet Restraint Device. See product instructions for more ways to help prevent furniture tip-over.

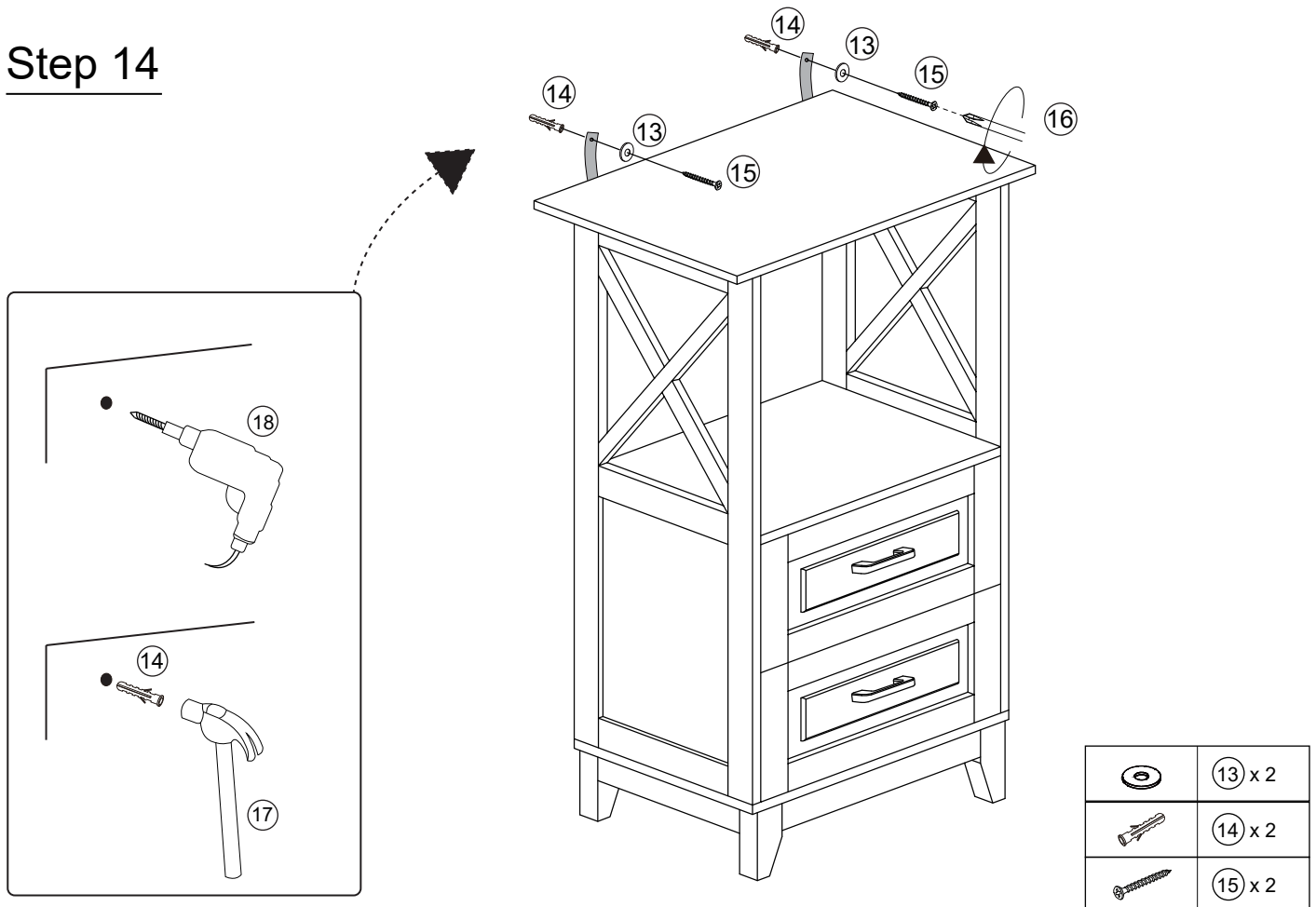


Step 13



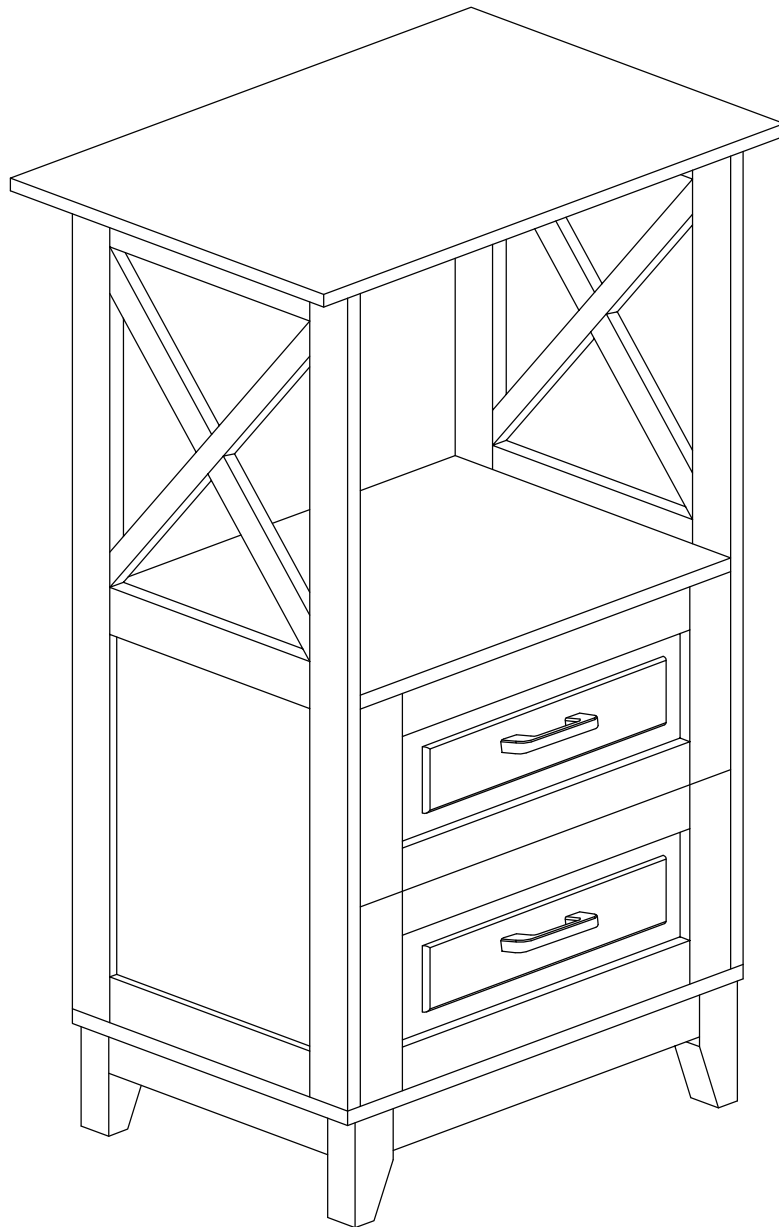
Attach Restraint Strap (⑫) to Back Connect Bar (D) with Screw (⑪) and Metal Gasket (⑬) using Screwdriver(⑯).

Step 14



Drill mounting positions on the wall with Power Drill (⑱), insert Wall Anchor (⑭) into drilled mounting positions on the wall with Hammer (⑰). Move the cabinet back to the wall, lock by Screw (⑮) and Metal Gasket (⑬) with Screwdriver (⑯).

Step 15



Your cabinet is ready for use

Care & Maintenance



- Furniture may scratch floors. We recommend using furniture pads to protect your floors.



- Do not put hot items directly on furniture surface.



- Do not clean furniture with harsh cleansers or polish.



- Do not place furniture under direct sunlight.



- Do not place furniture near heating or cooling vents.



- Do not write on furniture without a padded barrier to protect the surface.



- Do not place furniture outside . For indoor use only.



- Not for commercial use. For residential use only.



- Stains may be removed with mild soap solution and damp cloth.



- Children should not climb or jump on the furniture.



- Dust and pick-up spills using a clean, non-colored, lint-free cloth.