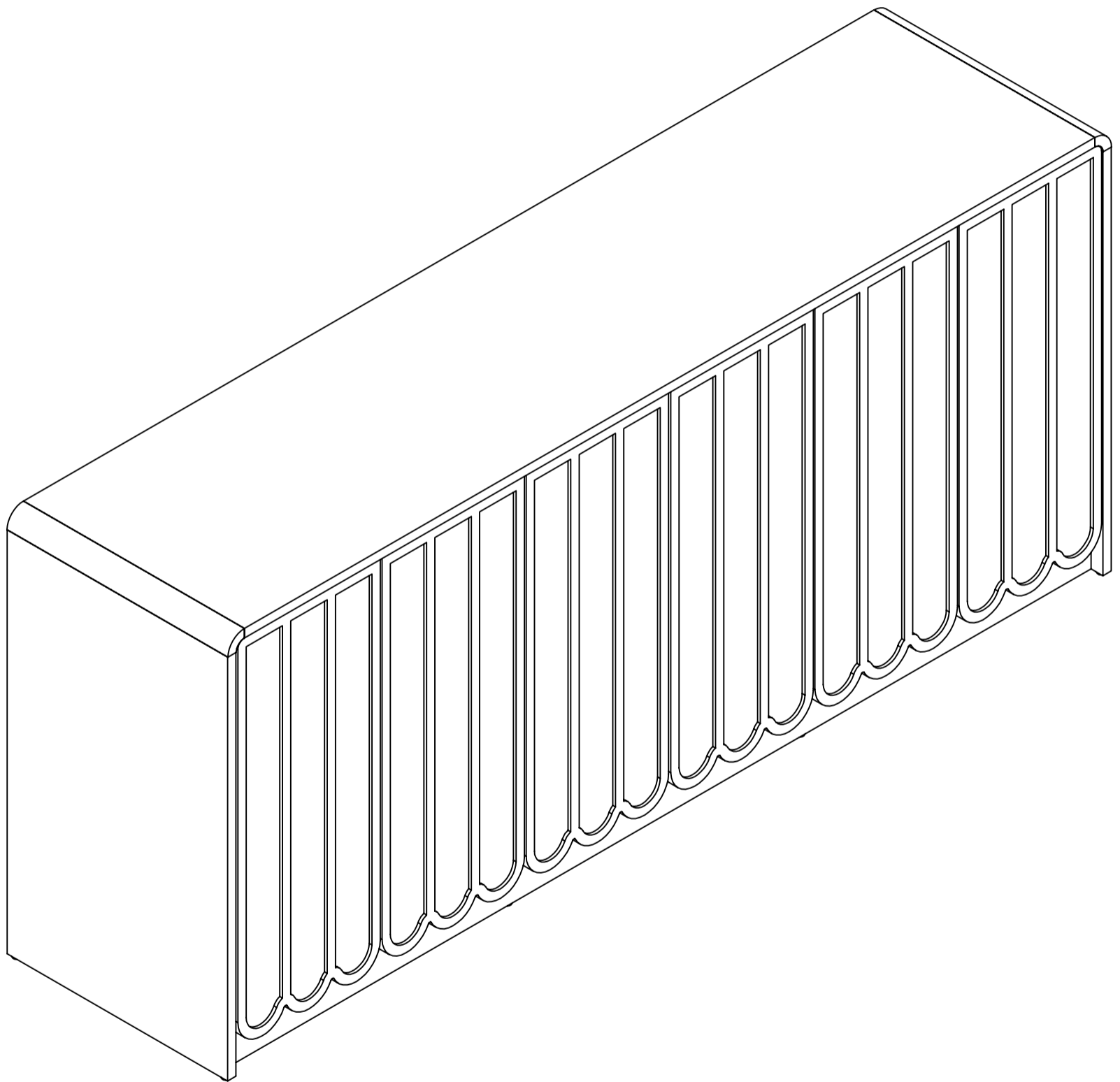


# Installation Instruction

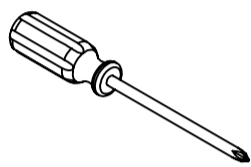


# Assembling

---

## What you need

- Use the packaging carton as a working surface to prevent product damage during assembly
- Phillips head screwdriver



## Weight Limitation



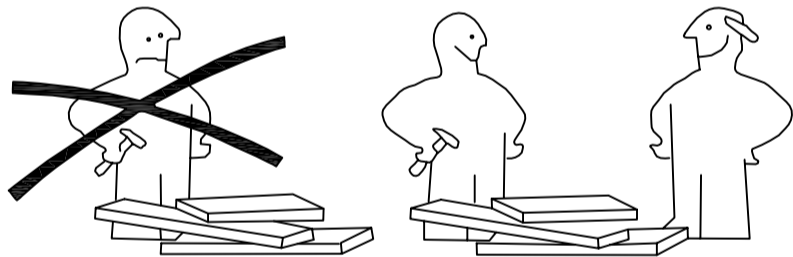
**100**

lbs table top

|

**35**

lbs per

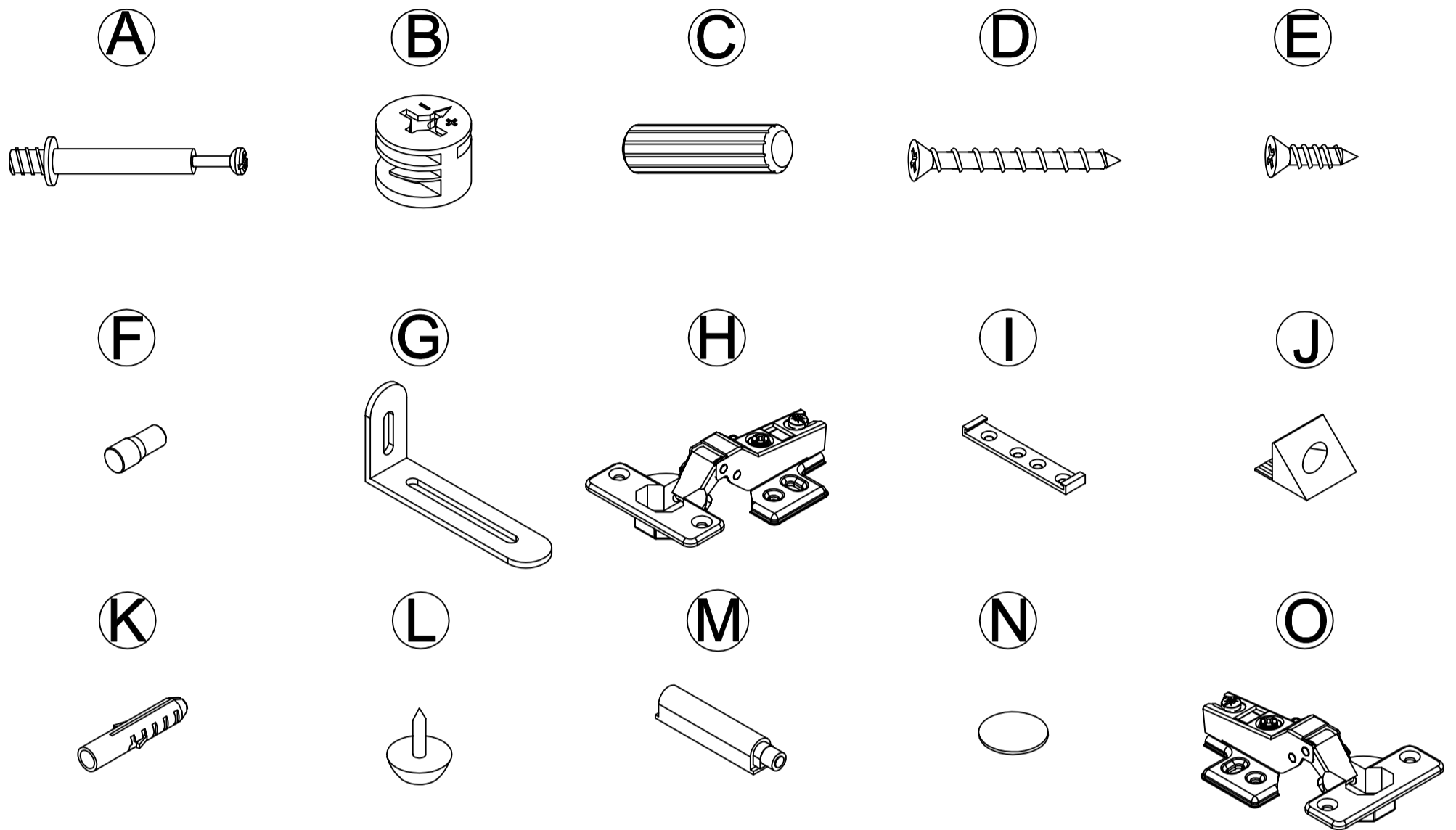


# What' included

---

Code	Description	Qty
A	Cam Bolt M6X35MM	32
B	Cam Lock 15X10MM	32
C	Wooden Dowel M8X30MM	22
D	Screw M4X40MM	10
E	Screw M3.5X14MM	102
F	Shelf Holder	12
G	Metal connector	2
H	Shelf Holder	4
I	Door Rebound Device	6
J	The back button	16
K	Anchor	2
L	MATS	8
M	Door Rebound Device Holder	6
N	Self-adhesive hole sticker	32
O	Shelf Holder	8

# The Hardwares



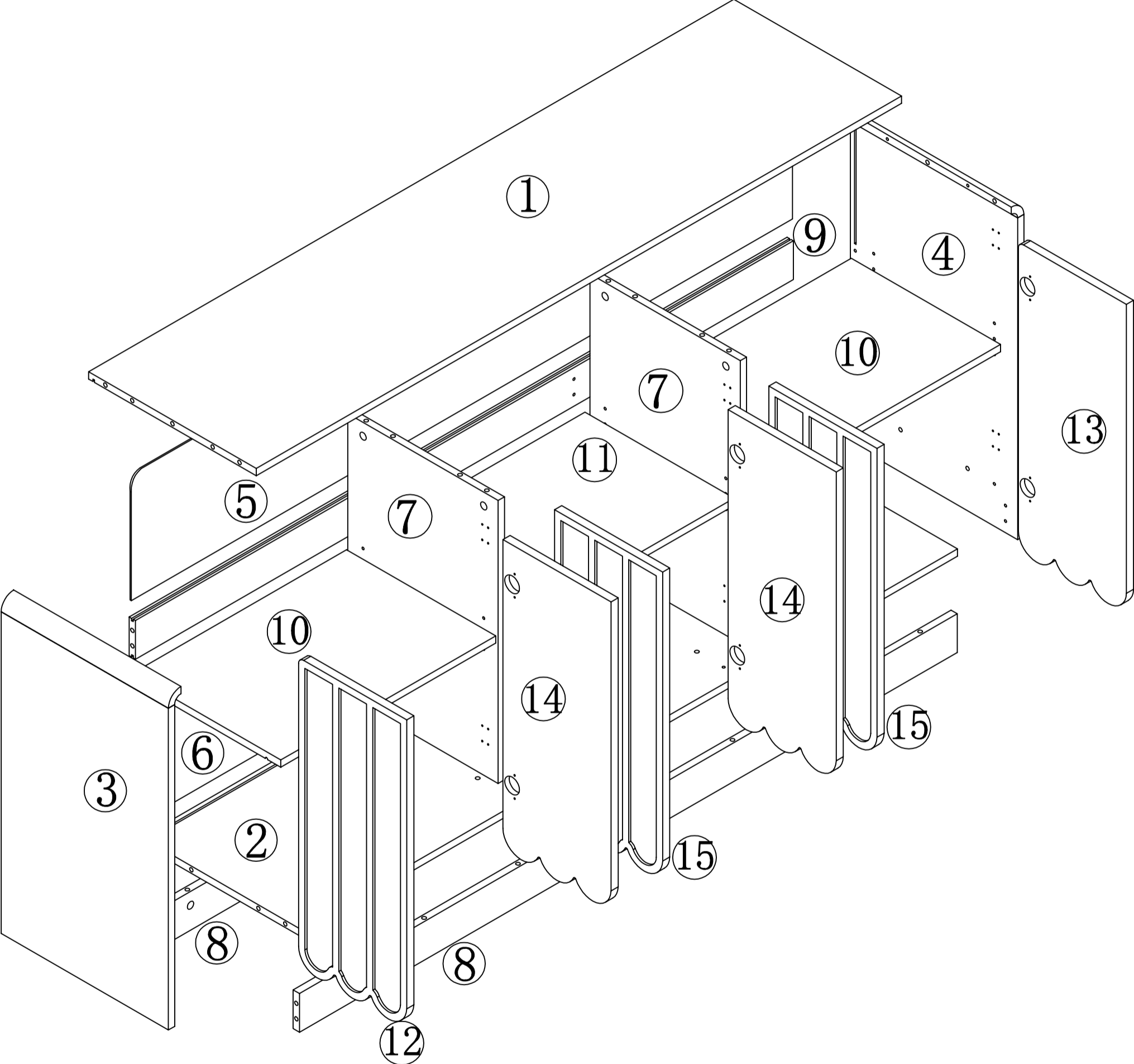
## IMPORTANT:

1. Do not tighten bolts / screws completely until all bolts / screws are lined up and inserted into holes.
2. Do not over tighten screws and bolts to avoid stripping
3. You can use a screwdriver. Power tools can also be used. (Be careful with power tools)

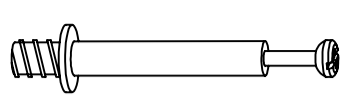

# Included Accessories

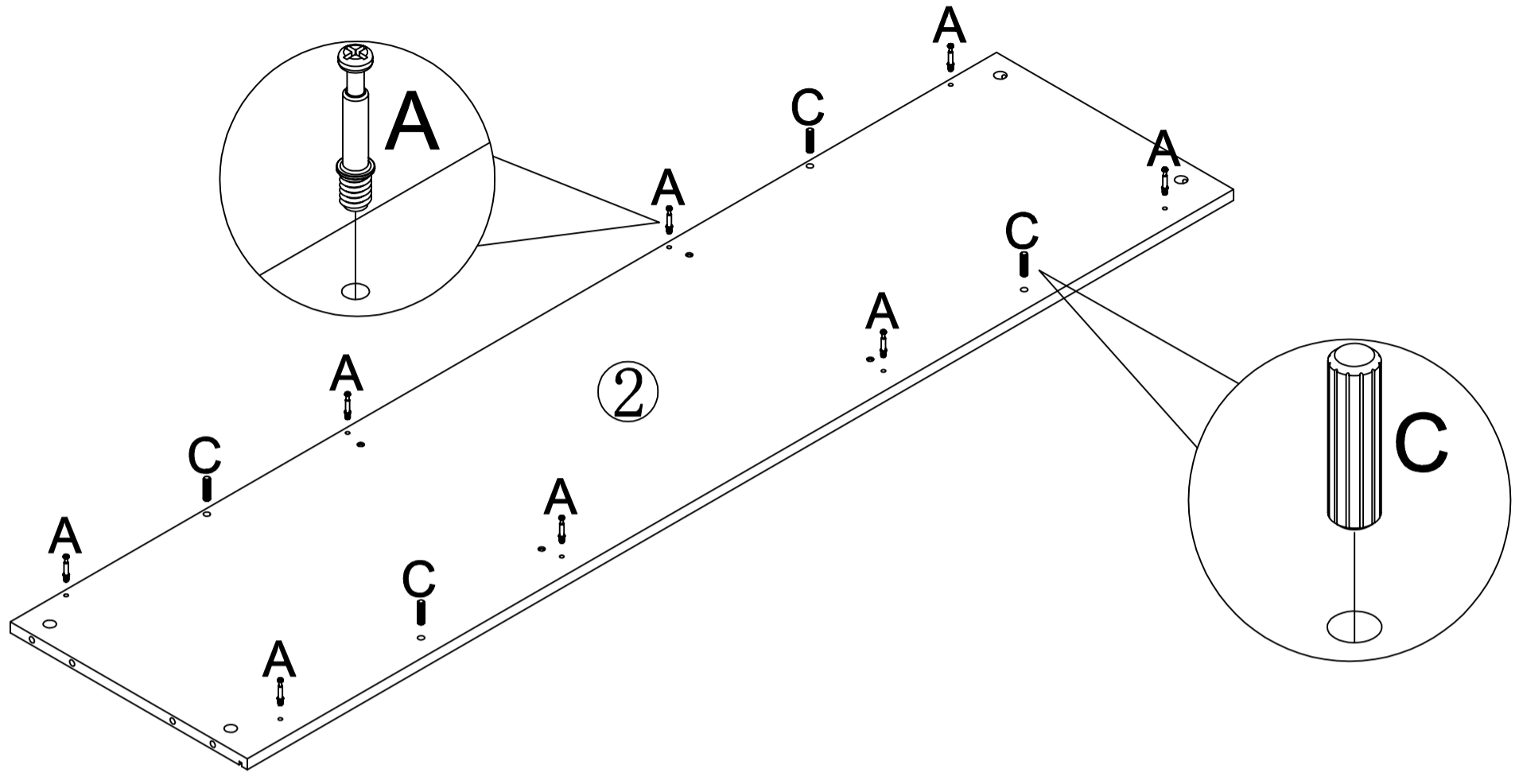
Code	Description	Qty
1	Cabinet Top	1
2	Bottom Panel	1
3	Left Side Panel	1
4	Right Side Panel	1
5	Upper backplate	1
6	Lower back panel	1
7	Partition board	2
8	Foot front and rear connecting plates	2
9	Back reinforcement plate	1
10	Left and right movable layer plates	2
11	The middle movable layer plate	1
12	Left door panel	1
13	Right door panel	1
14	The left middle door leaf	2
15	The right middle door leaf	2

# The Accessoriess

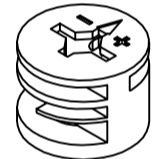



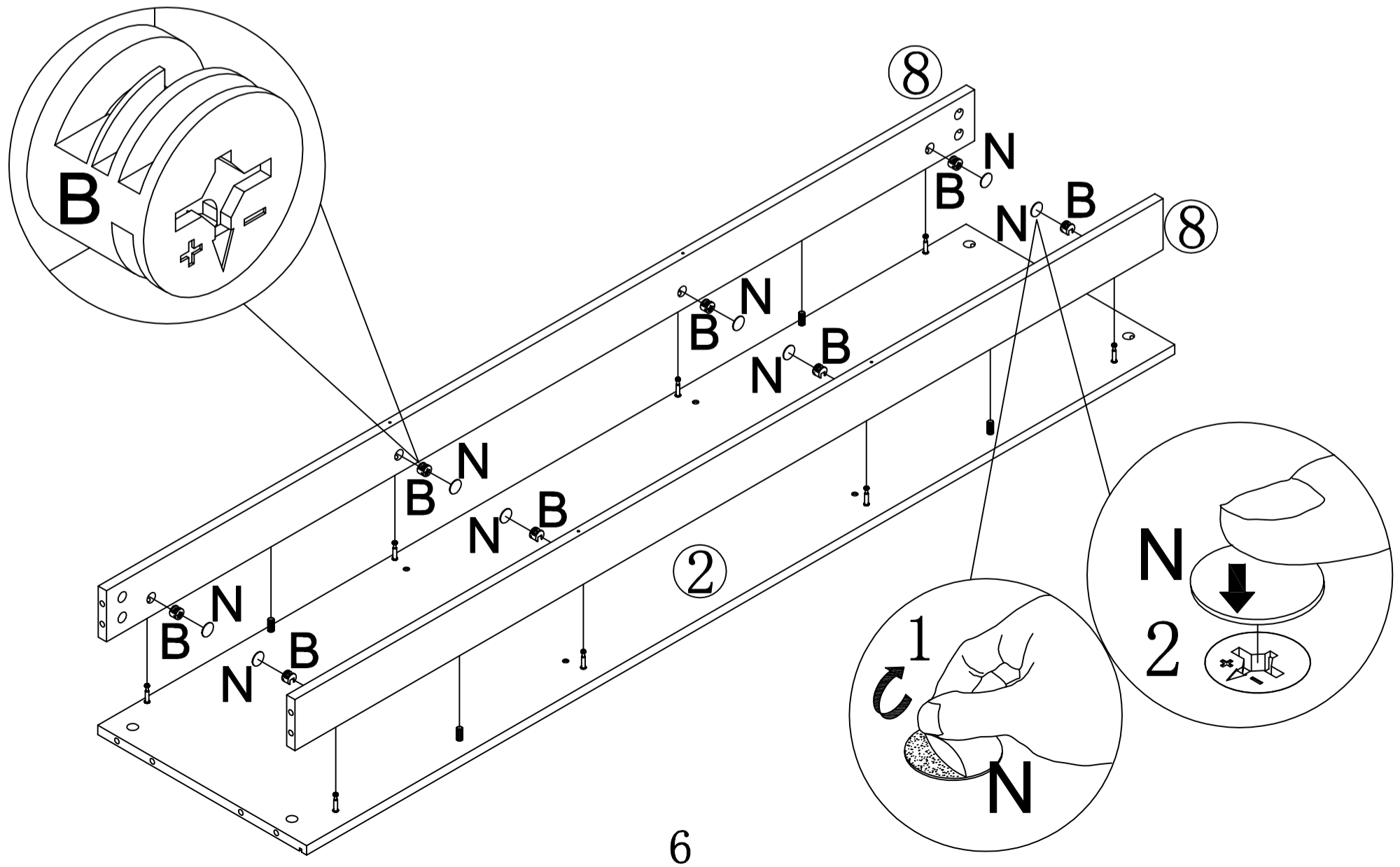
# Step 1

<b>A</b>	<b>X8</b>	<b>C</b>	<b>X4</b>
			

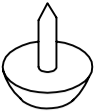


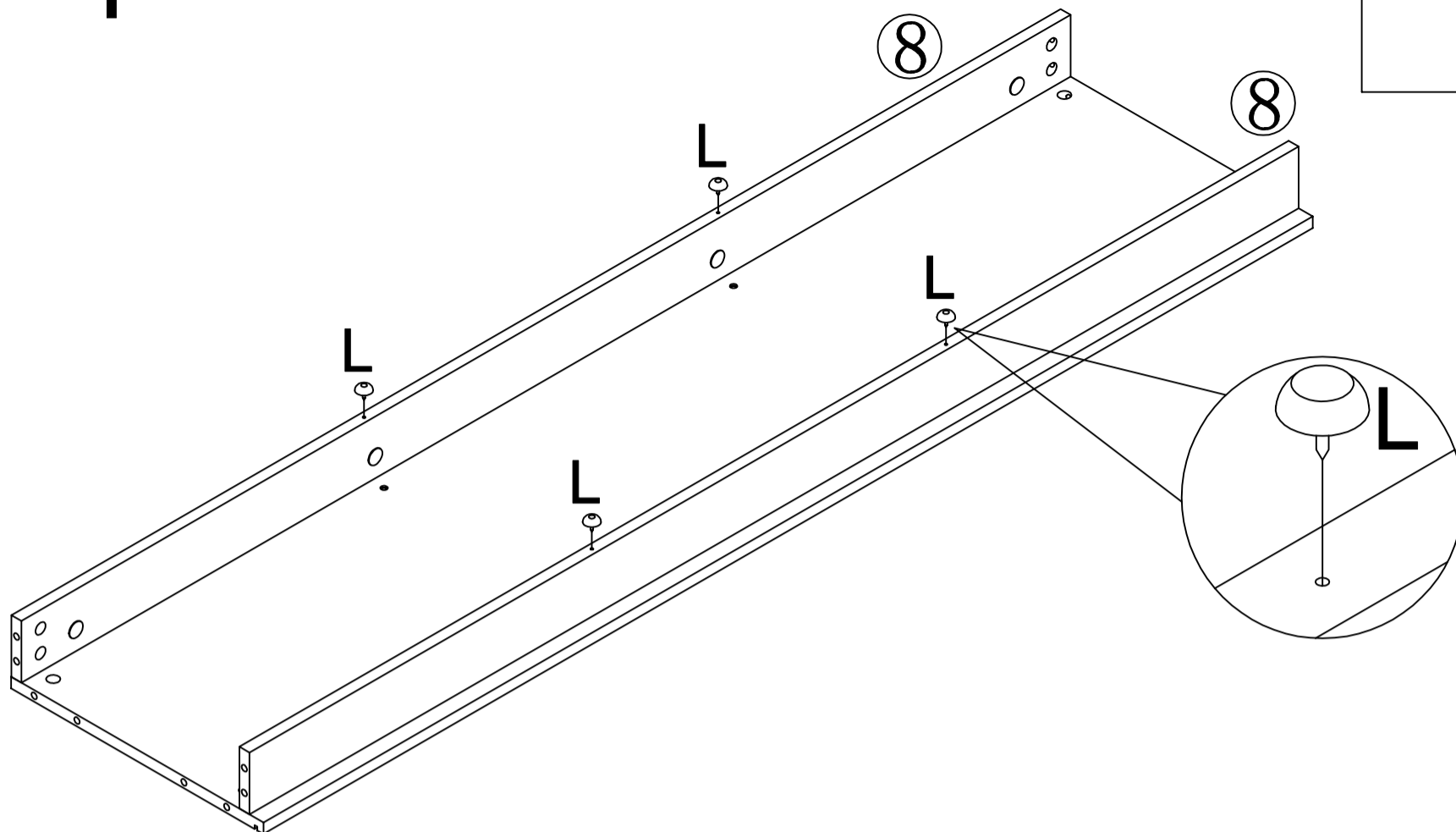
# Step 2

<b>B</b>	<b>X8</b>	<b>N</b>	<b>X8</b>
			





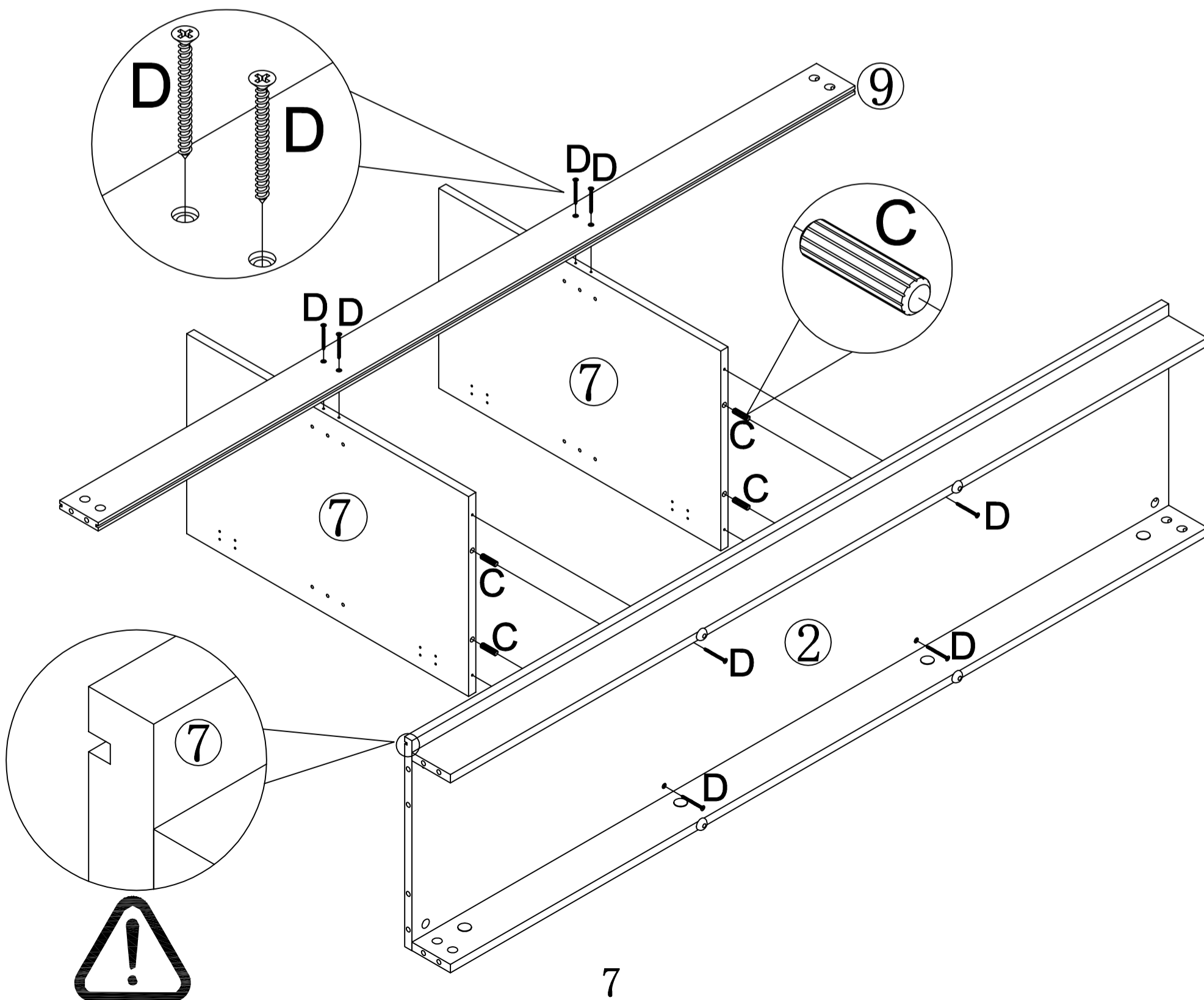
# Step 3

L	X4
	

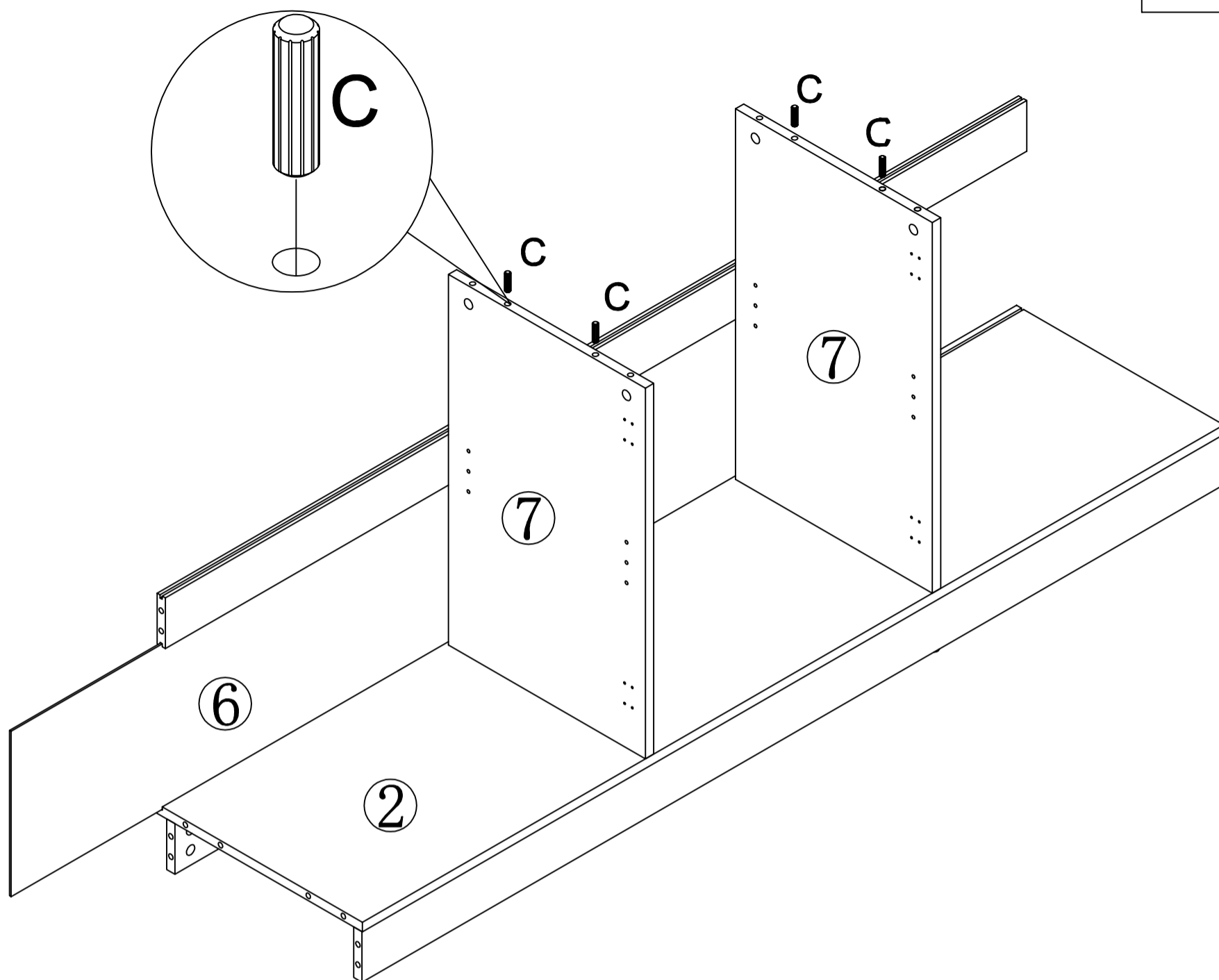
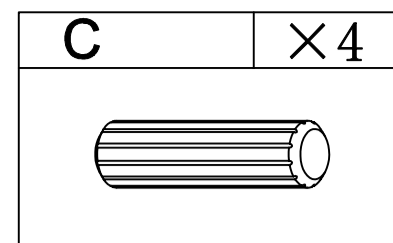


# Step 4

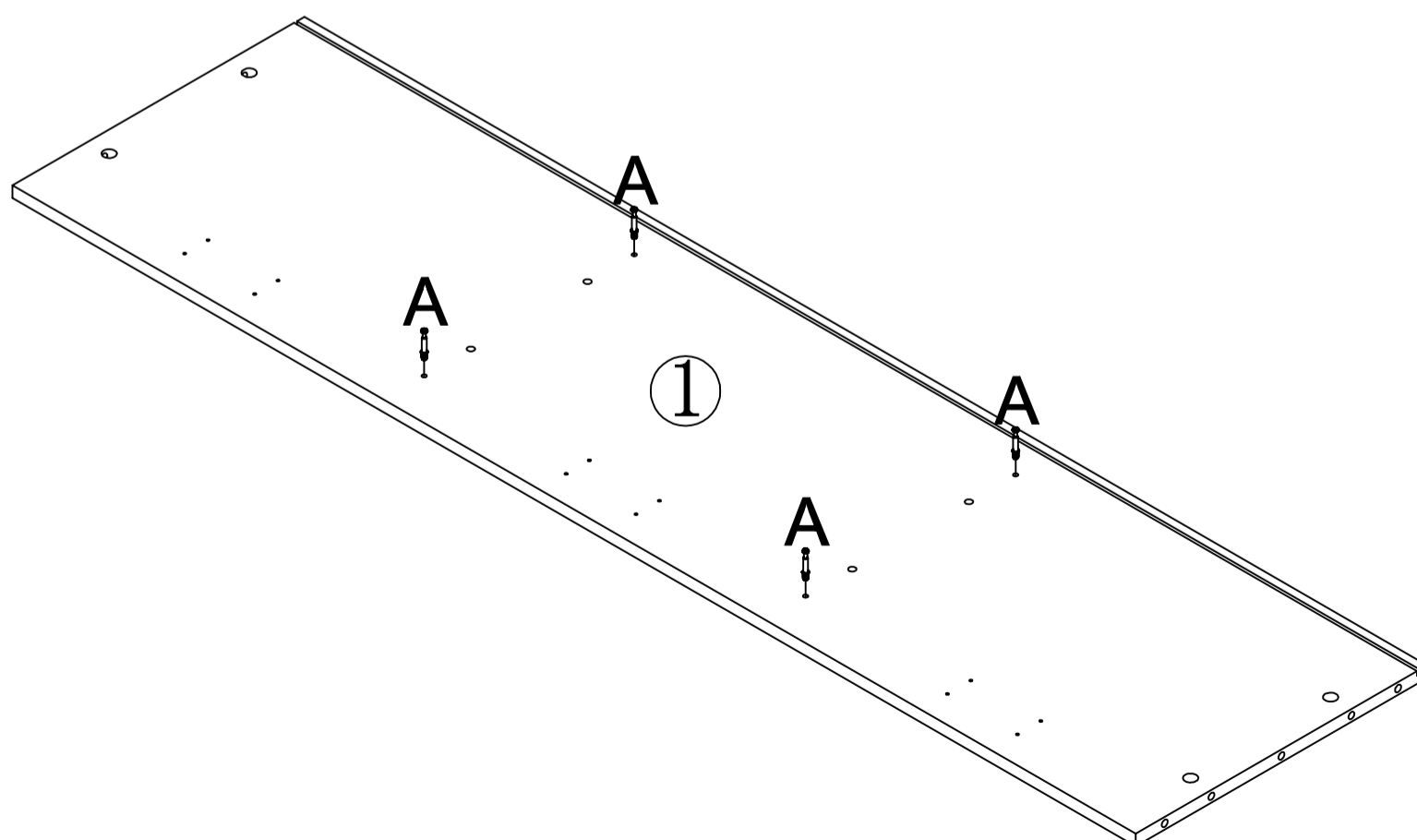
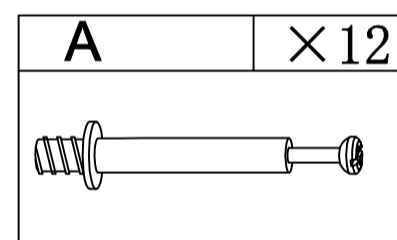
C	X4	D	X8
			



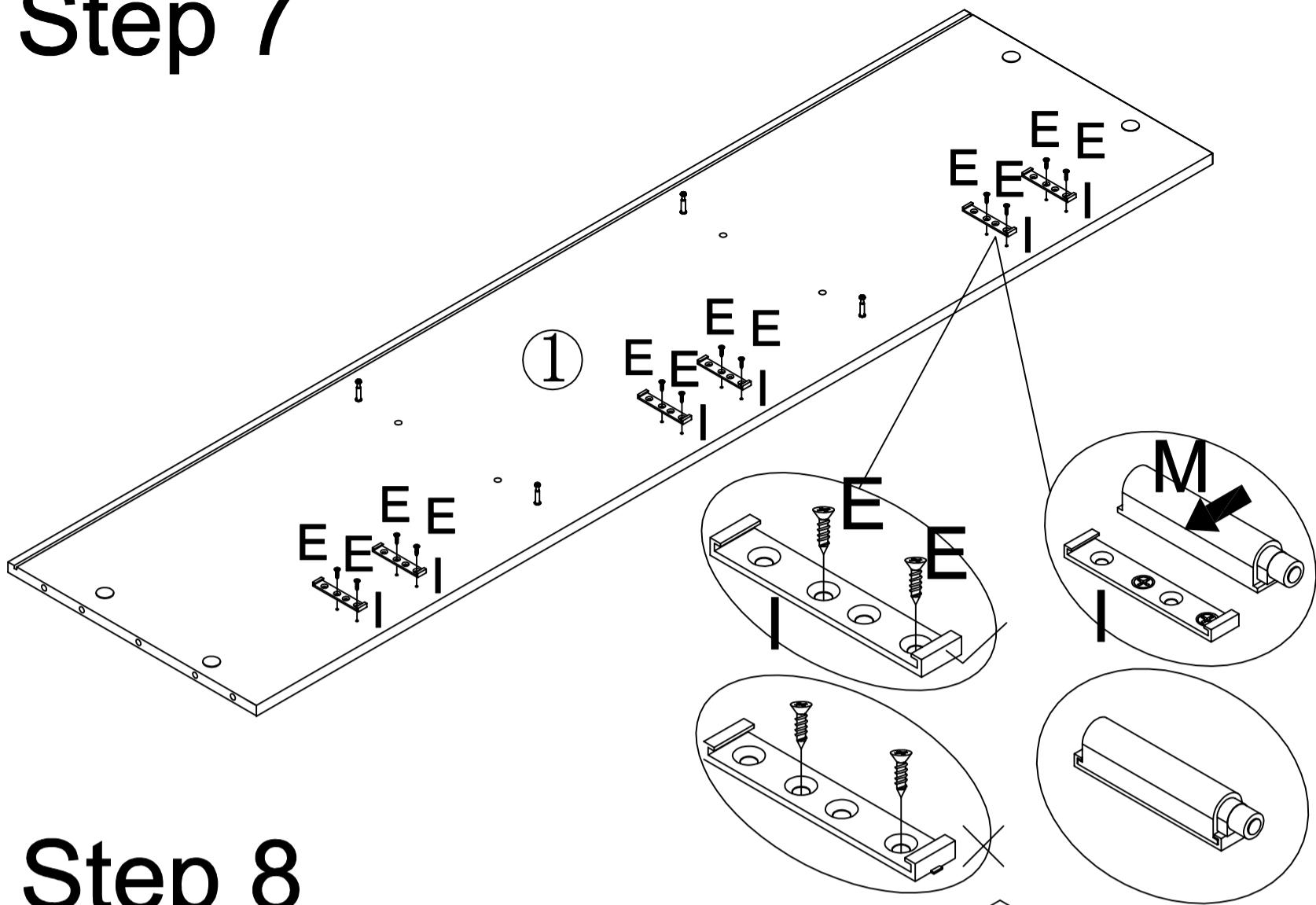
# Step 5



# Step 6

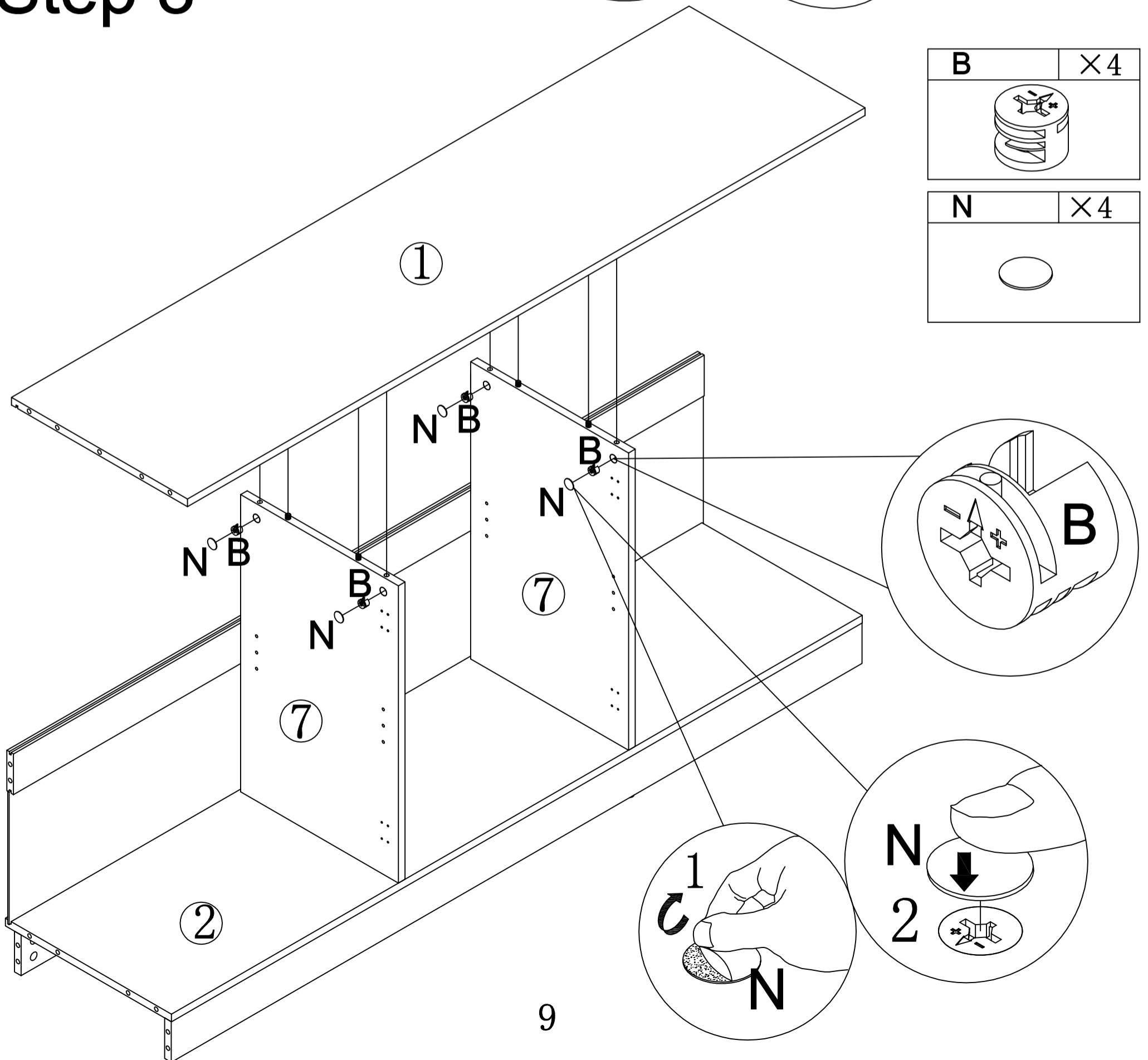


# Step 7



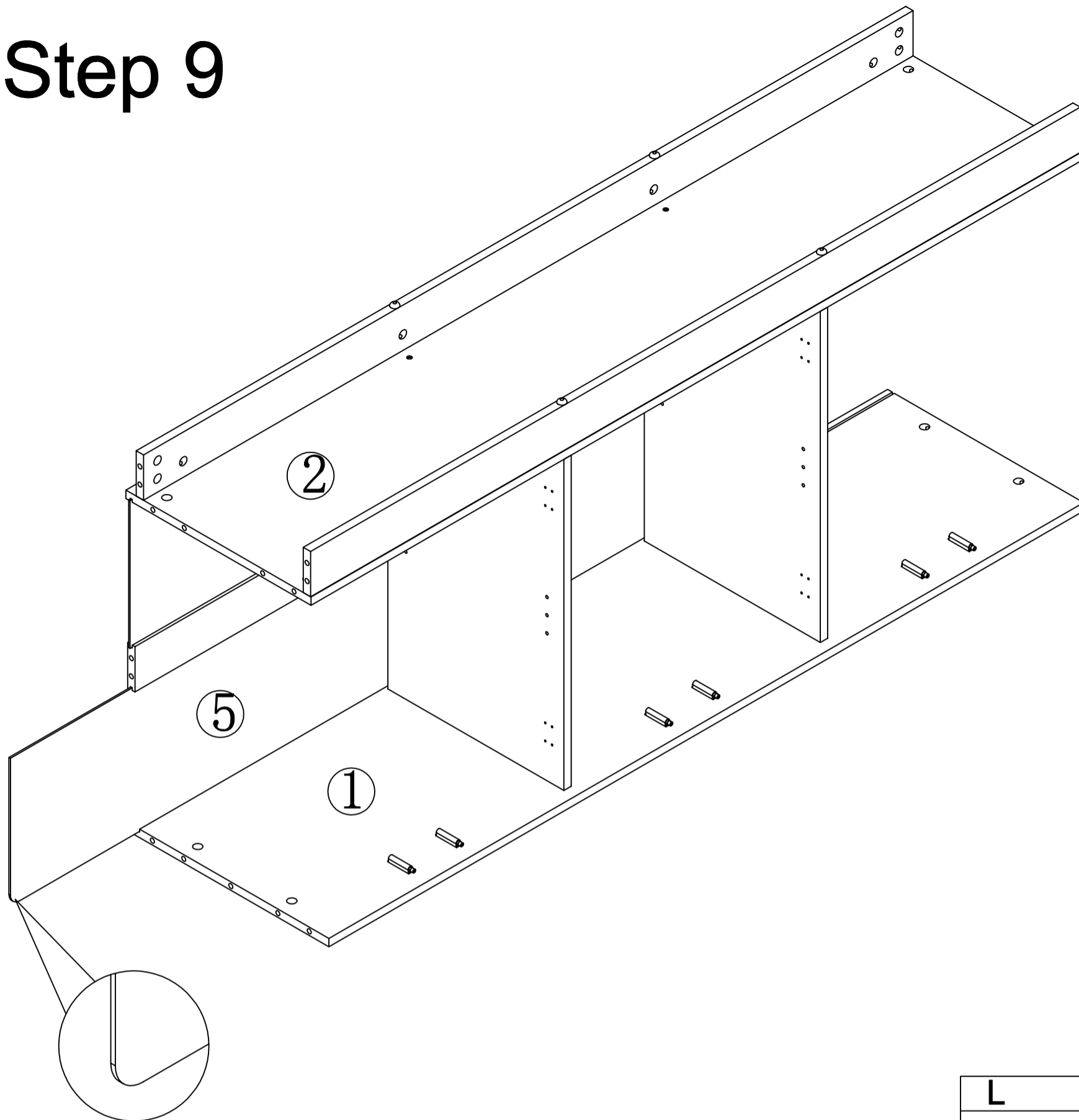
E	×12
I	×6
M	×6

# Step 8



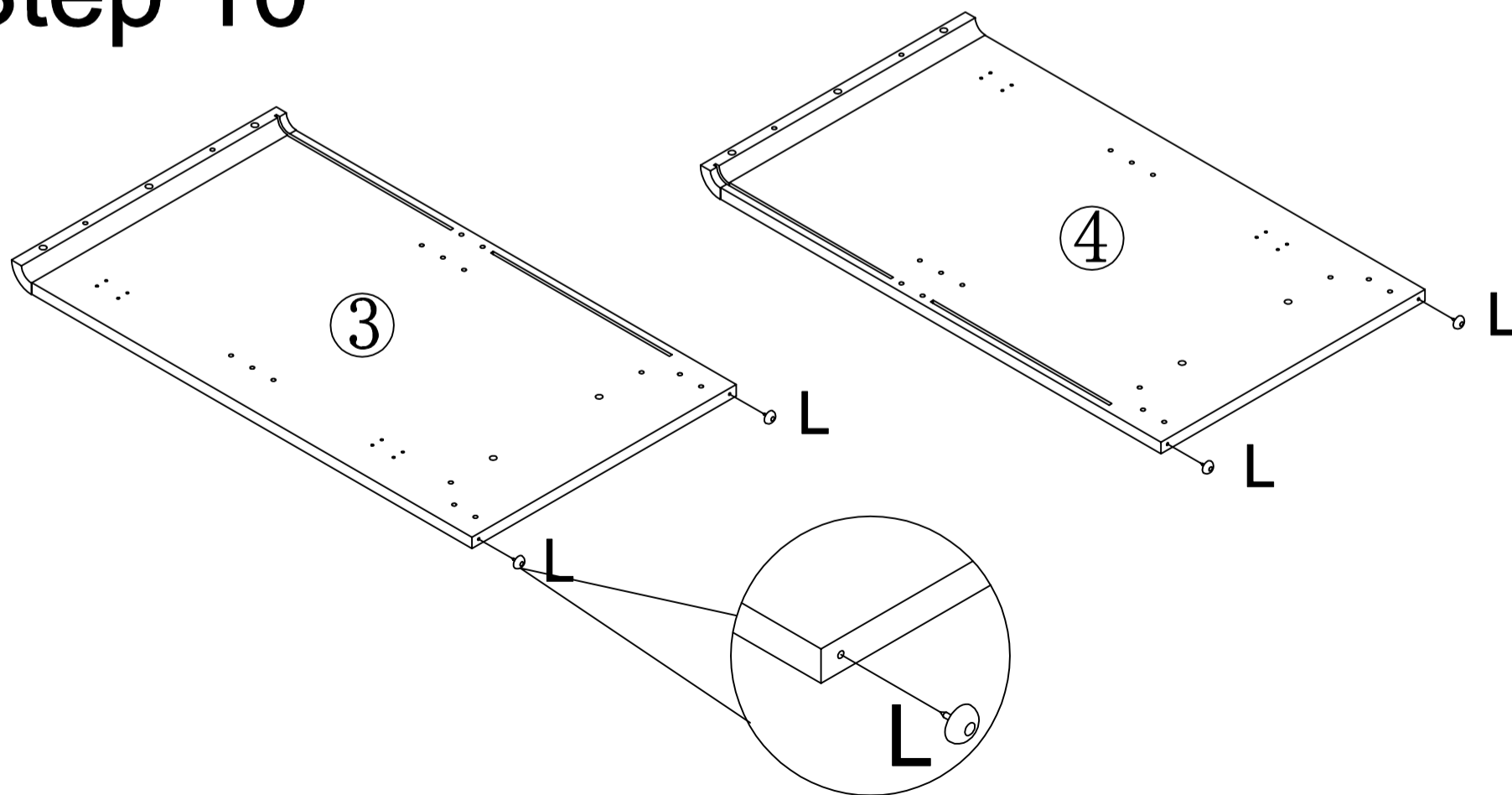
B	×4
N	×4

# Step 9

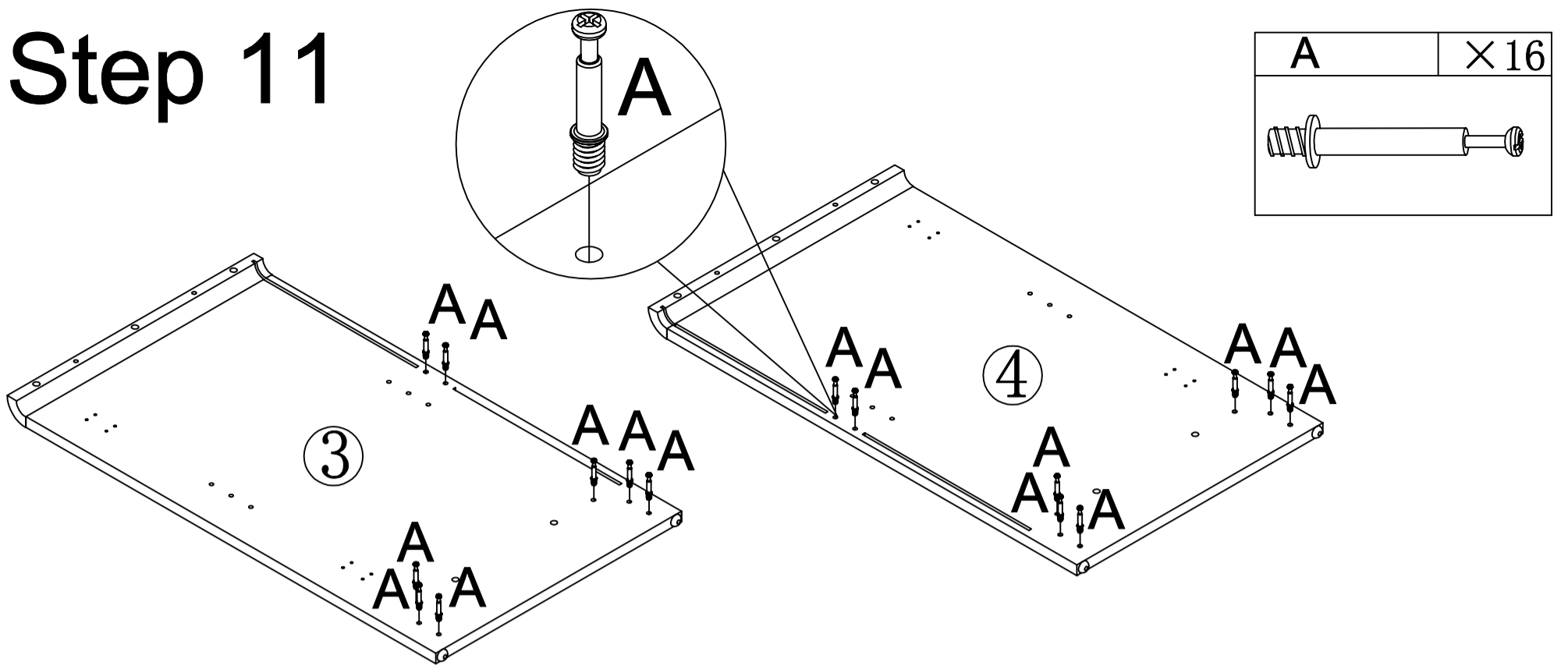


L	×4

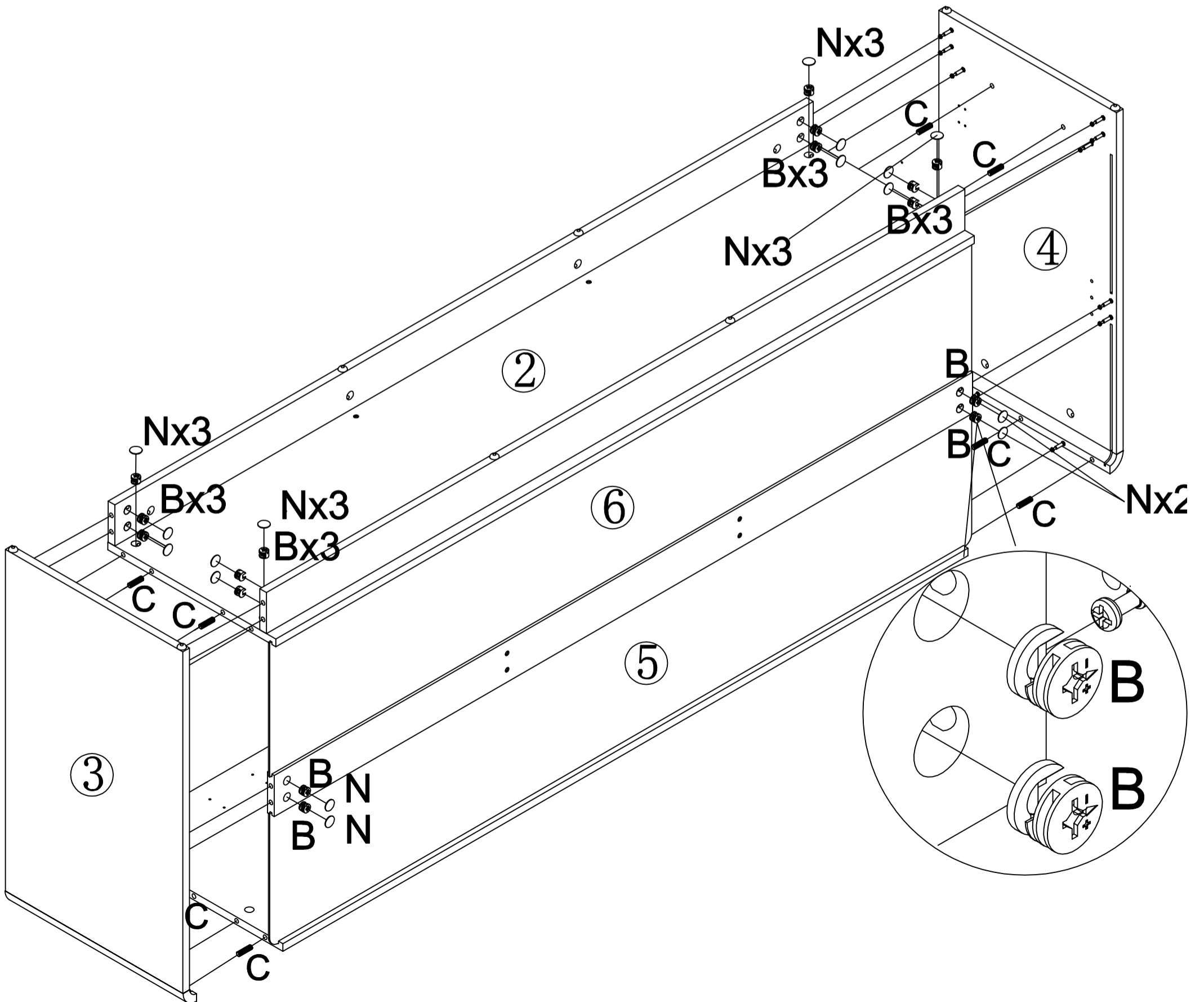
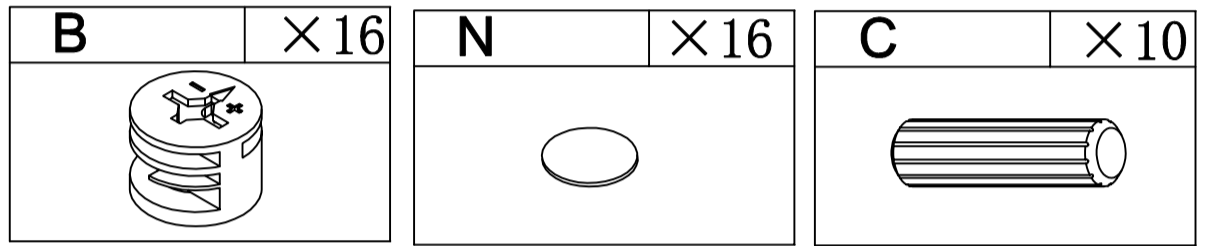
# Step 10



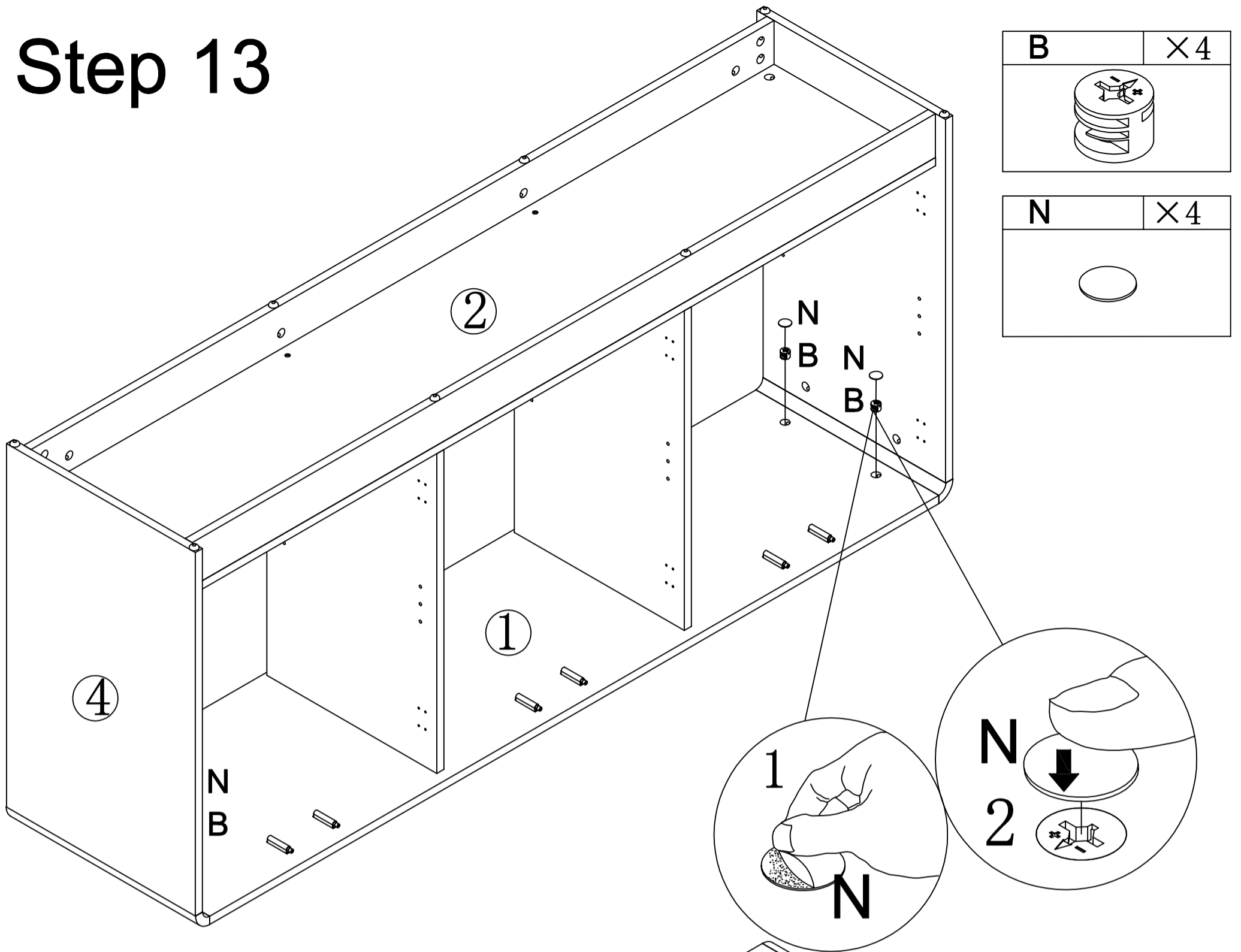
# Step 11



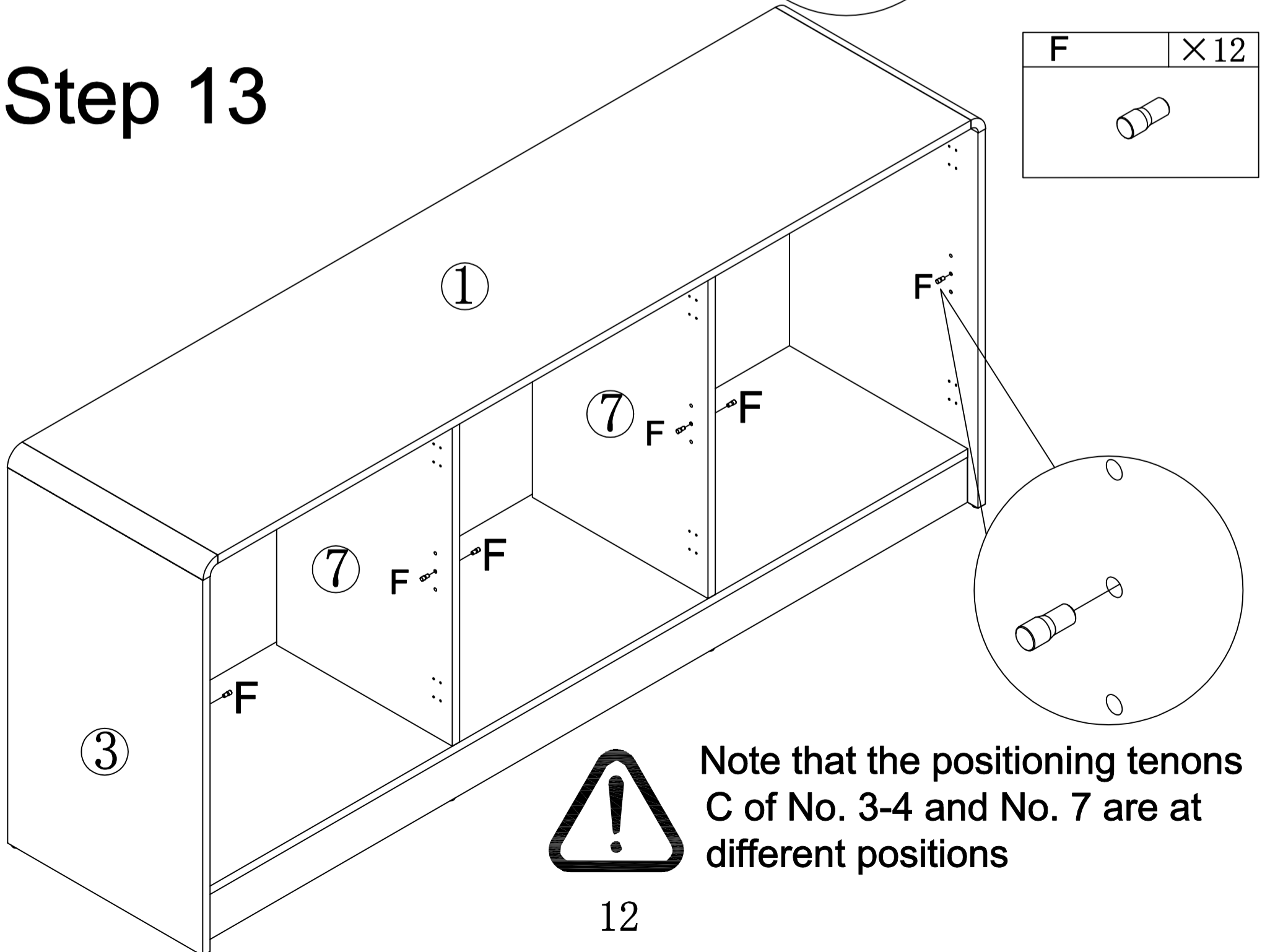
# Step 12



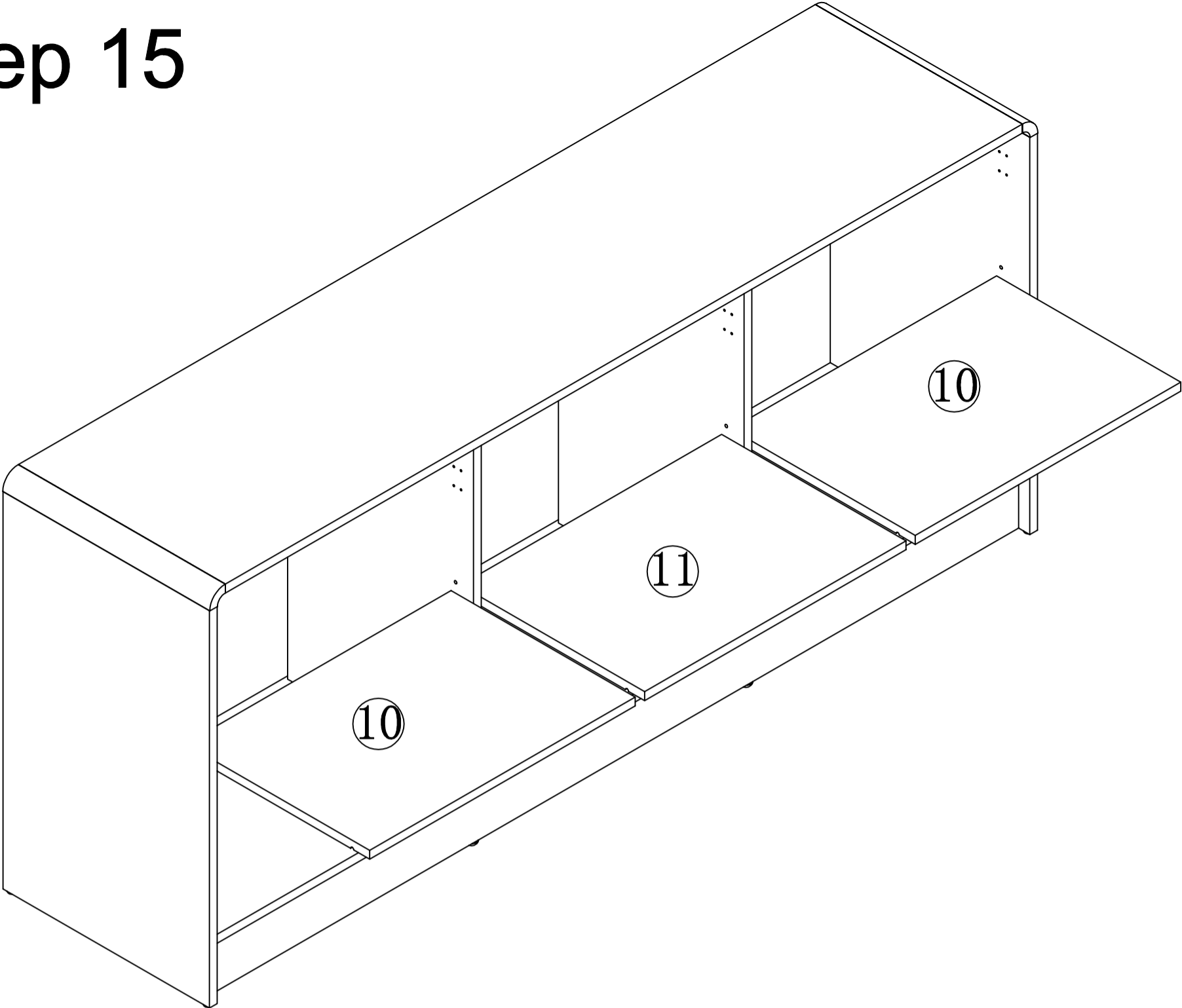
# Step 13




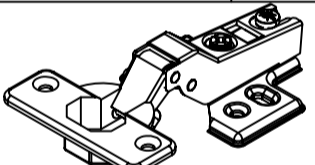
# Step 13

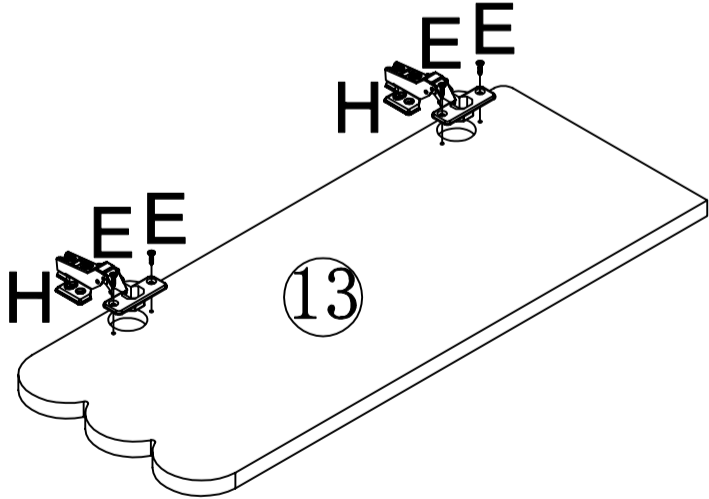
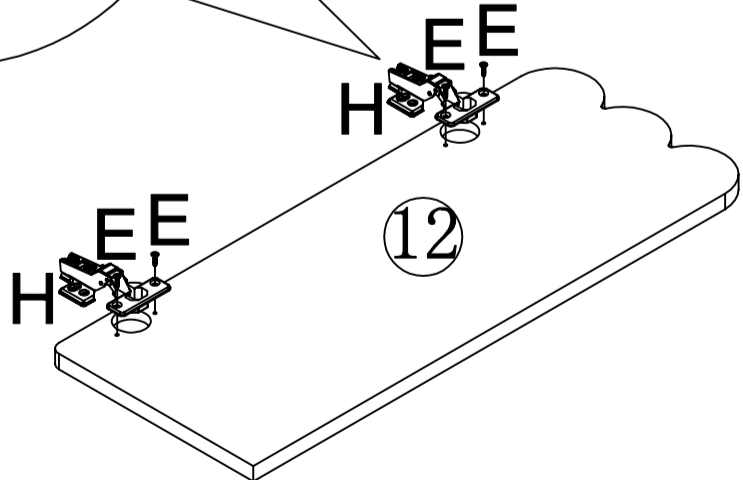
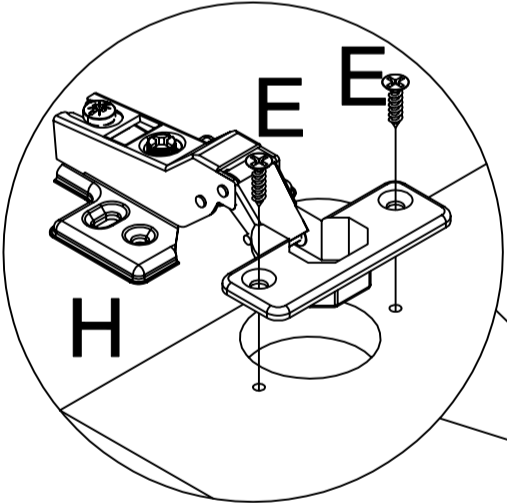


# Step 15




# Step 16

E	×8	H	×4
			

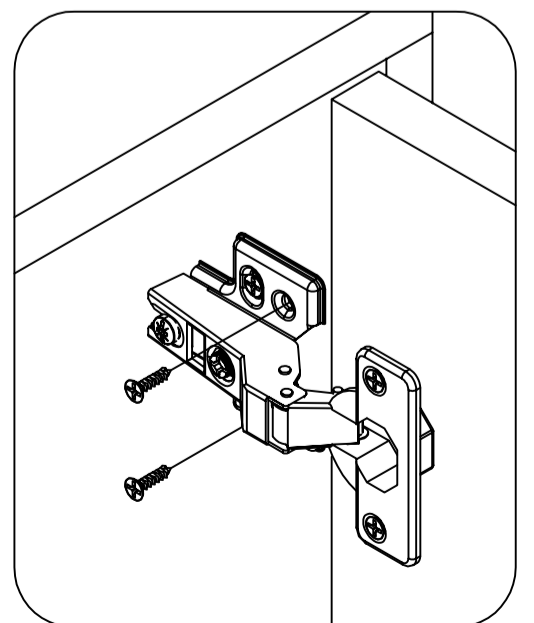
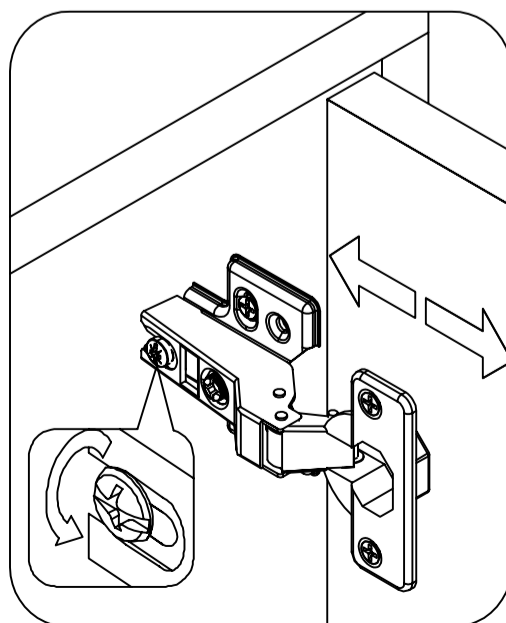
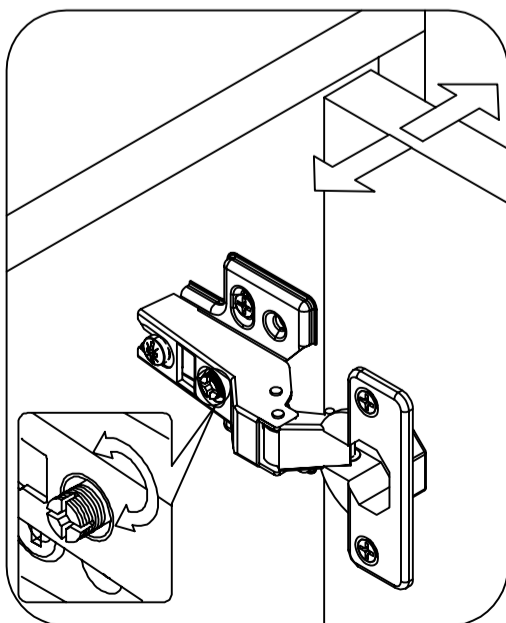
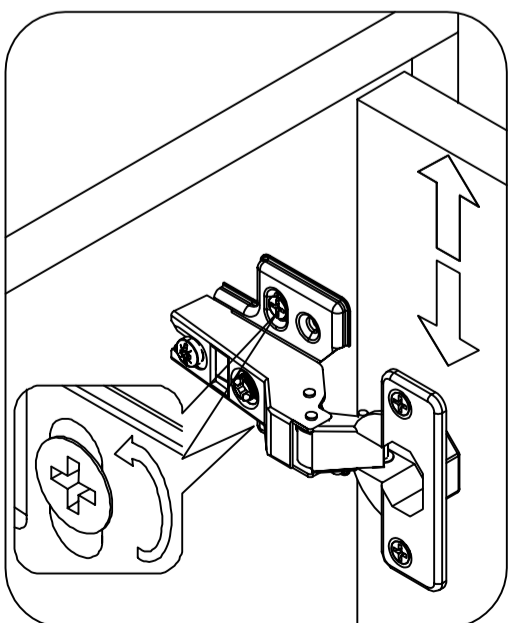
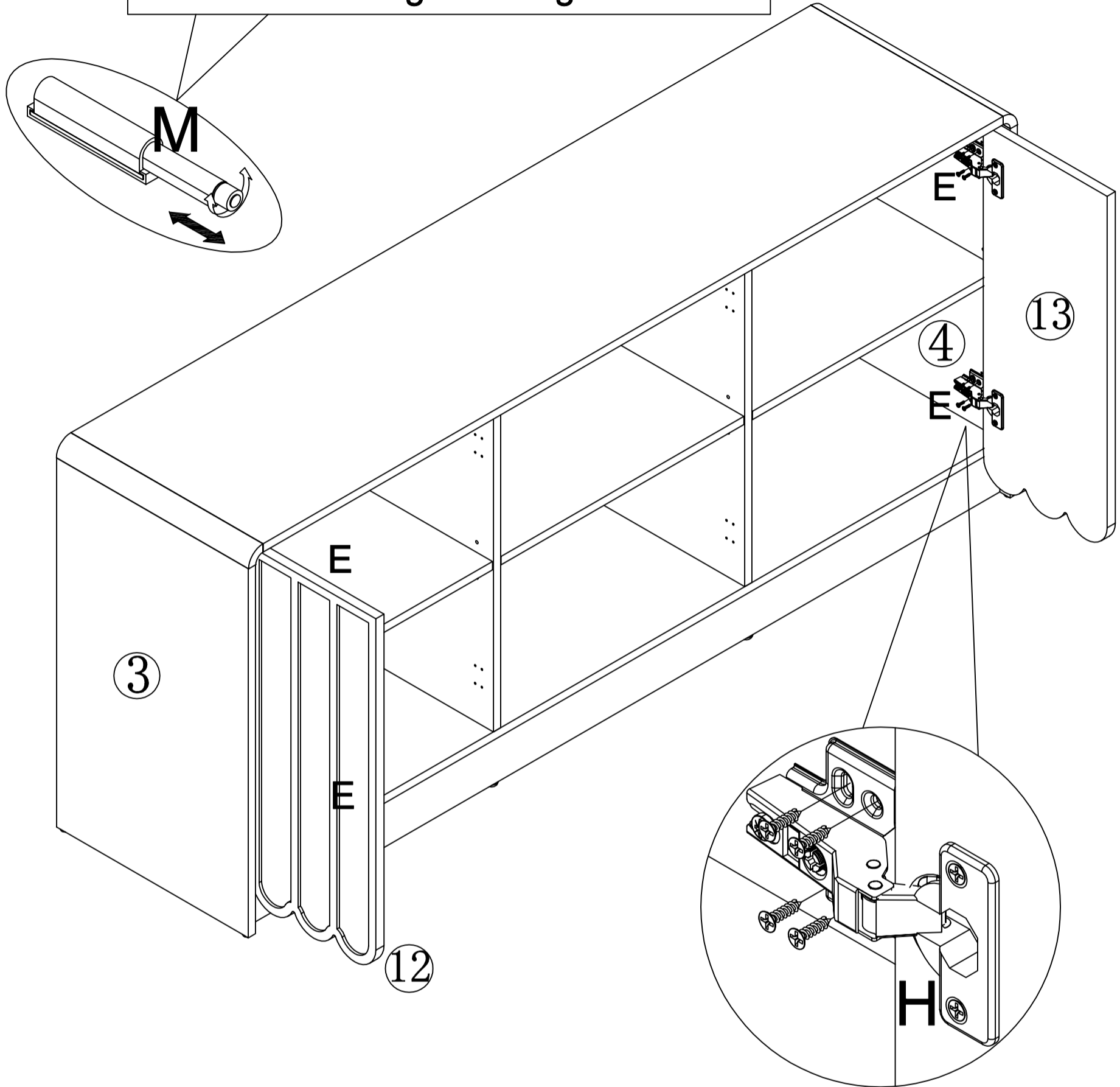


Note that in this step, the "H" and "O" in the hardware are quite close. Be sure to use "H" and don't get it wrong


# Step 17

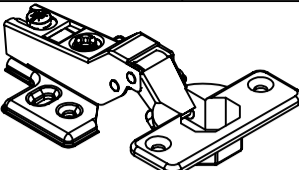
E	×16
	

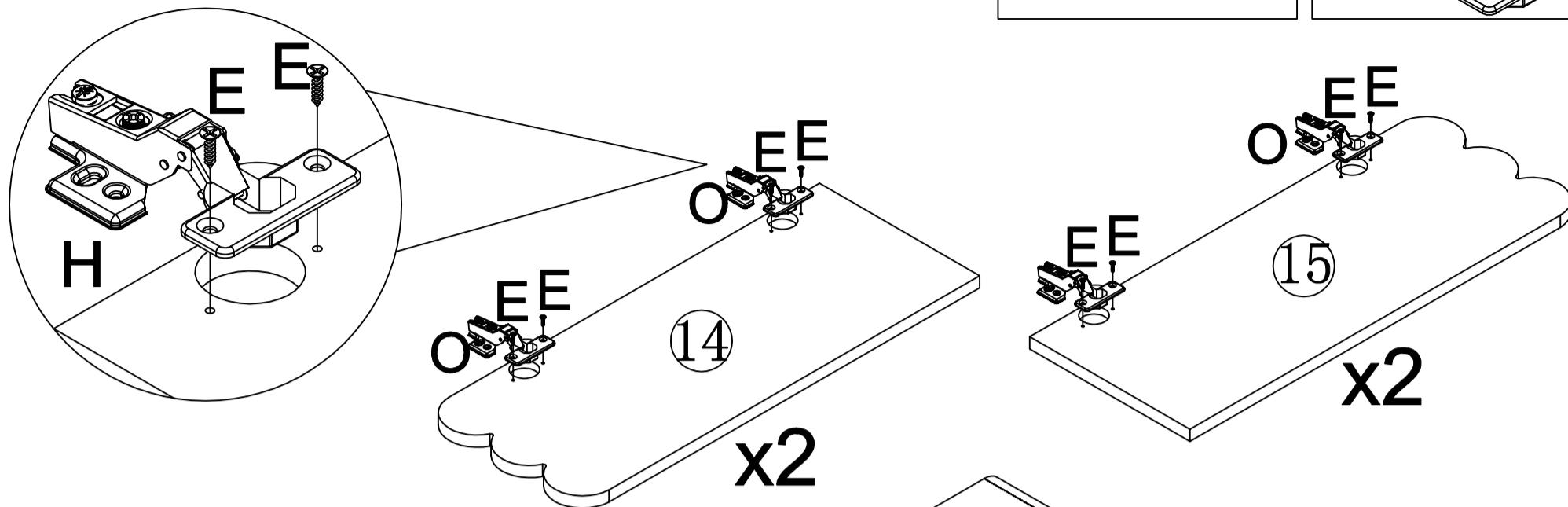
Note If the door does not pop out after pressing the door, adjust the rebound device according to the figure




# Step 18

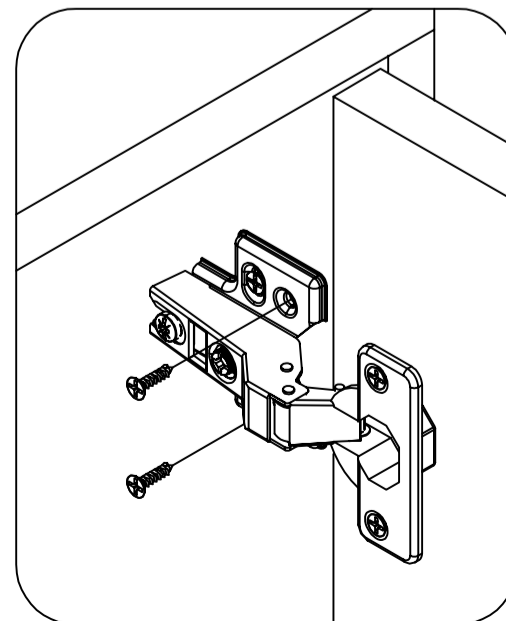
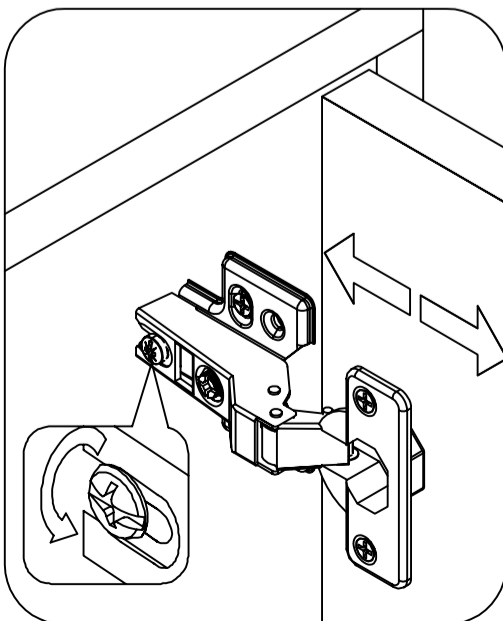
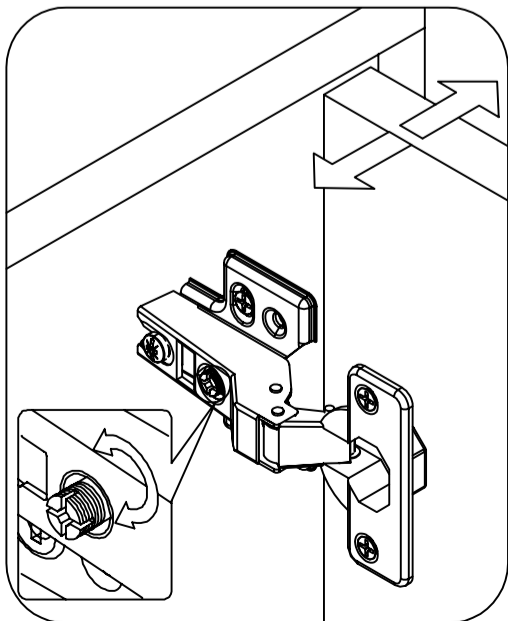
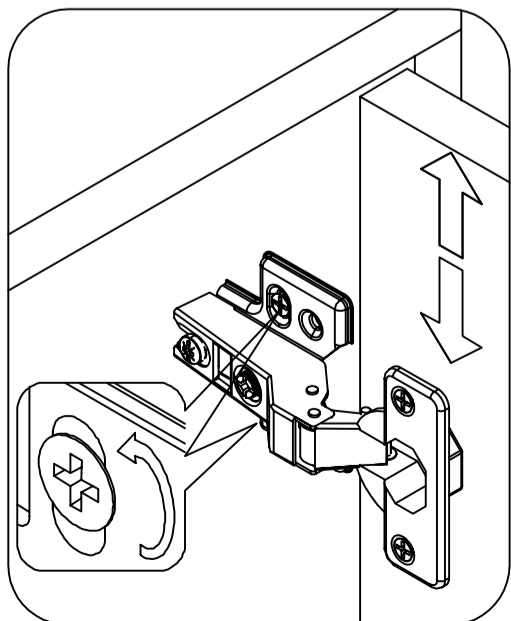
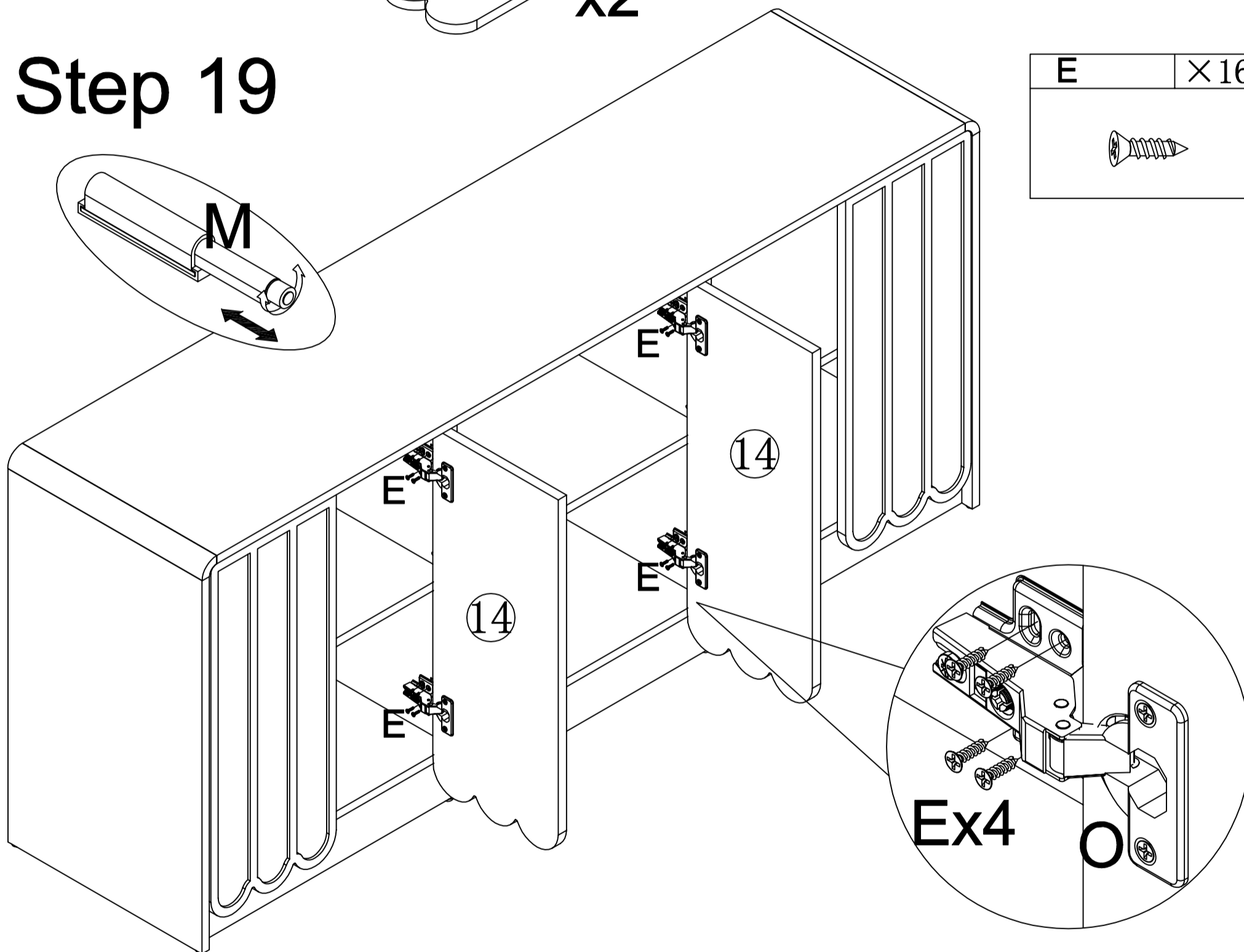
E	X16
	

O	X8
	




# Step 19

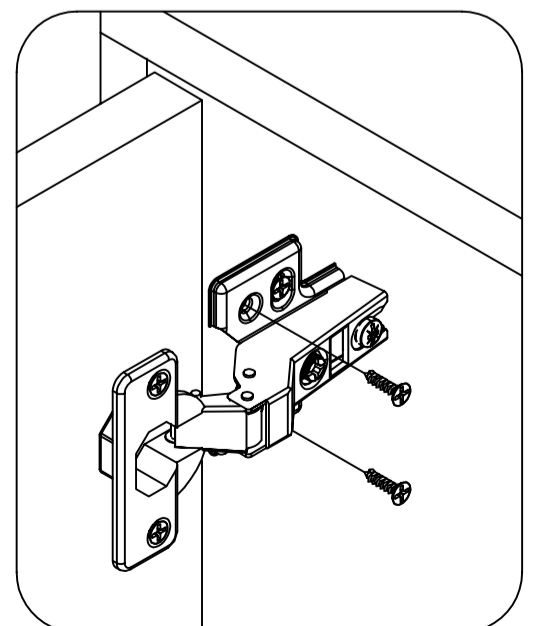
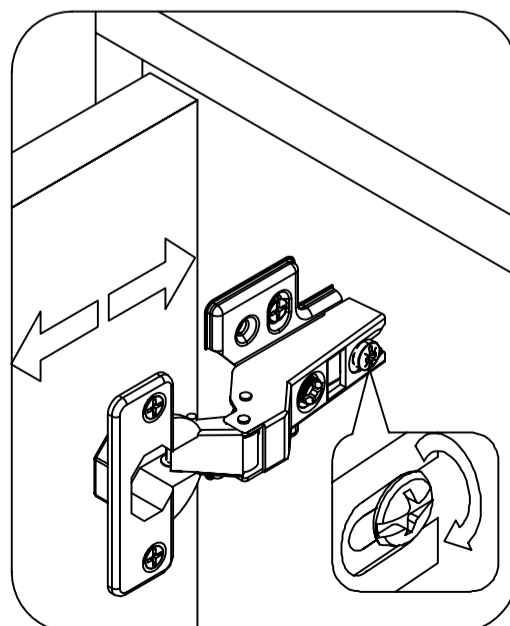
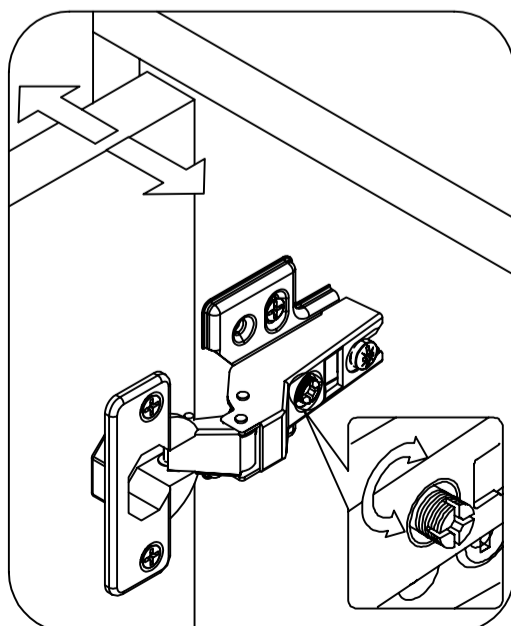
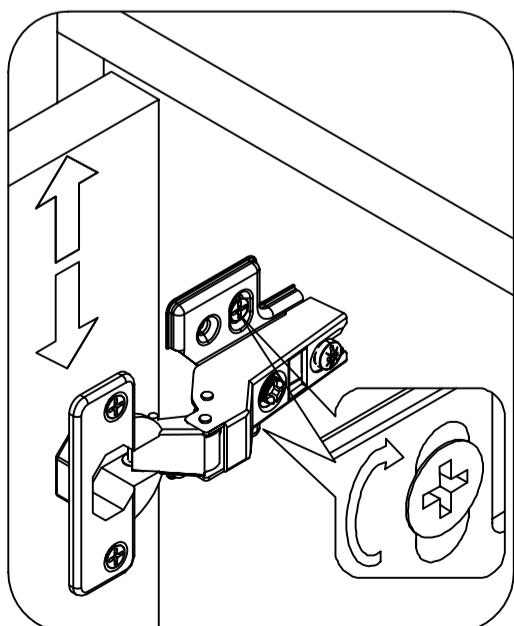
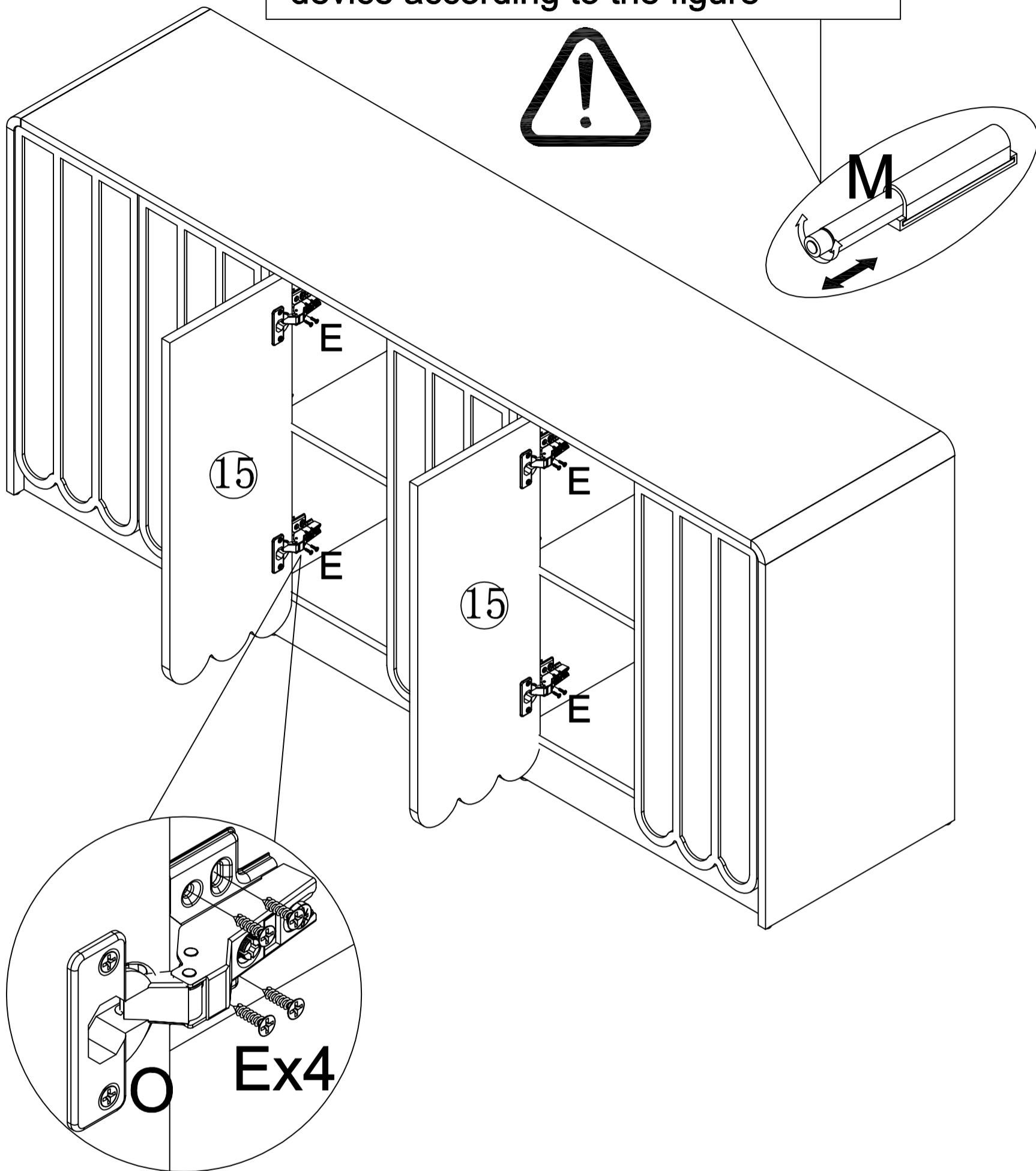
E	X16
	



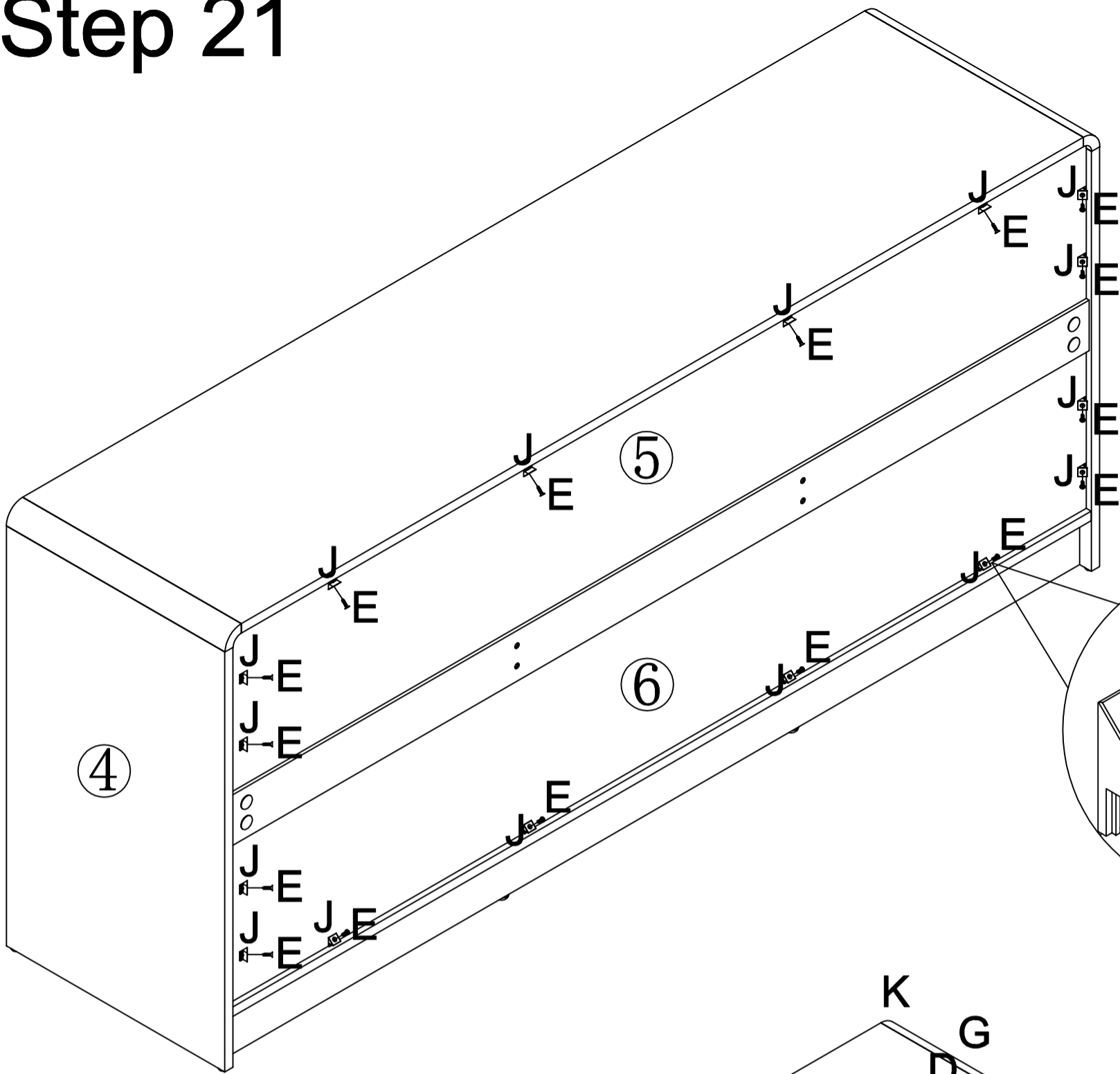
# Step 20

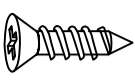
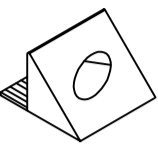
Note If the door does not pop out after pressing the door, adjust the rebound device according to the figure

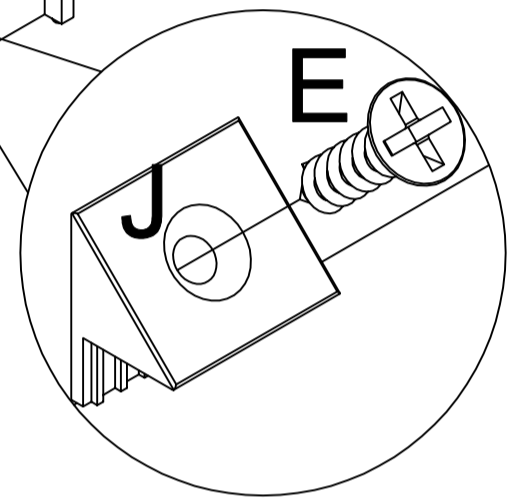
E	×16
	



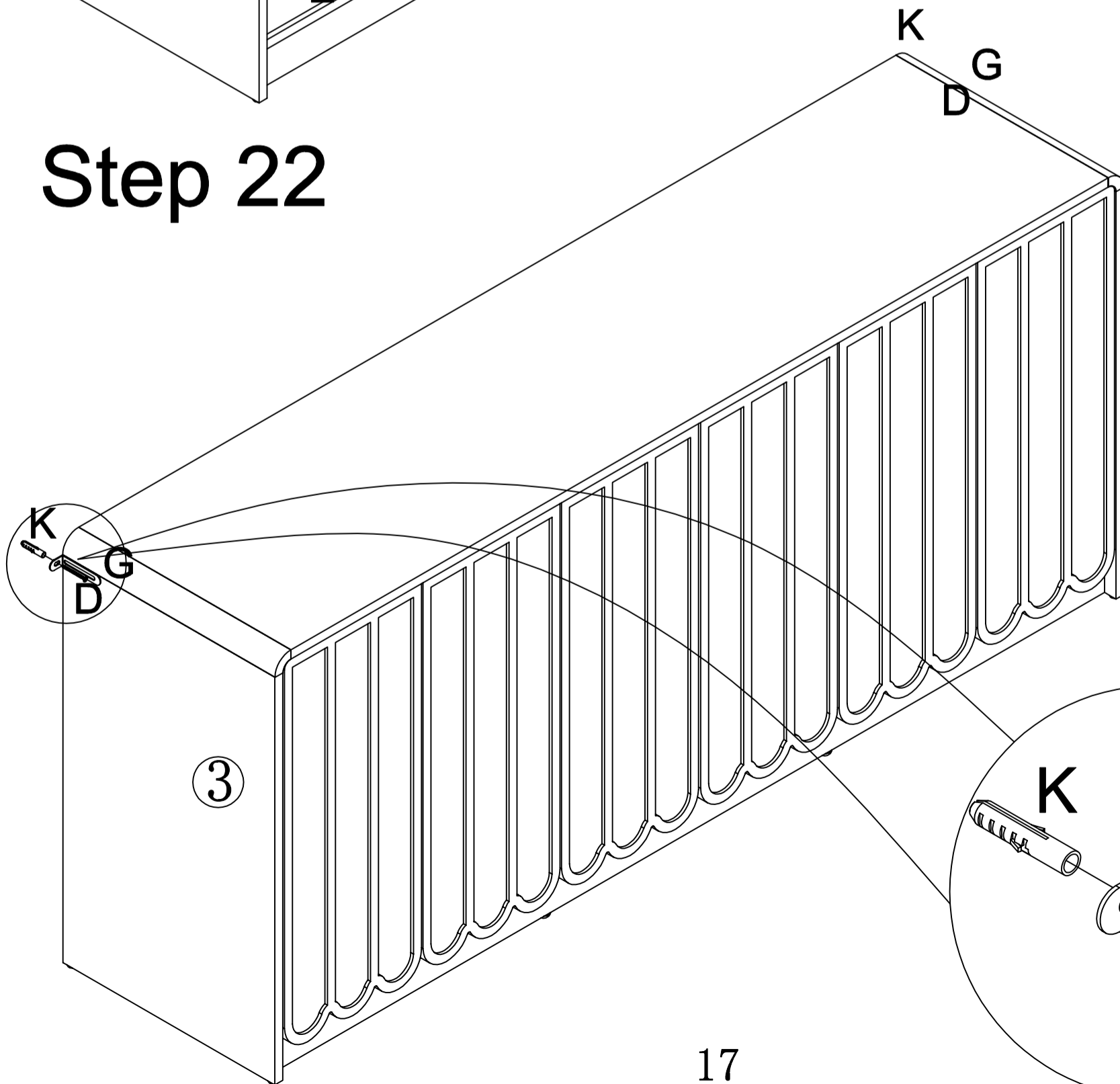
# Step 21

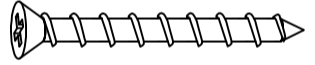
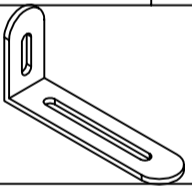
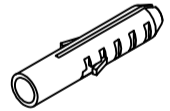


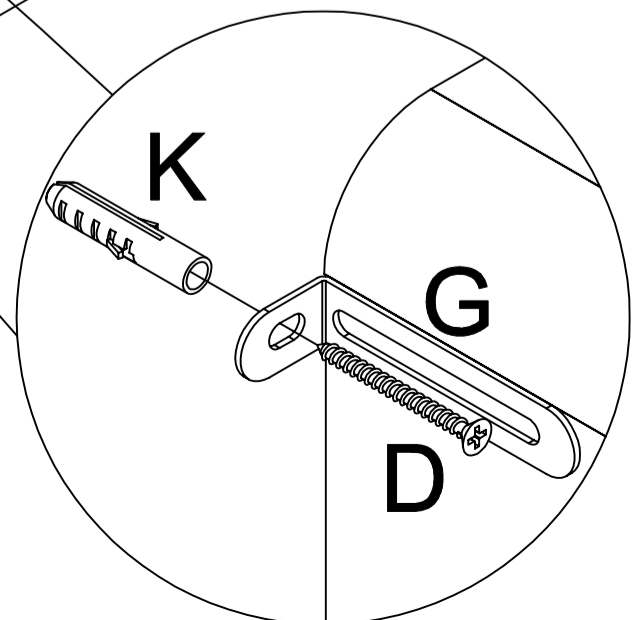
E	×16
	
J	×16
	



# Step 22



D	×2
	
G	×2
	
K	×2
	



# Step 23

E	×2
