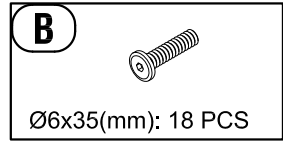
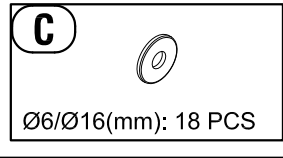


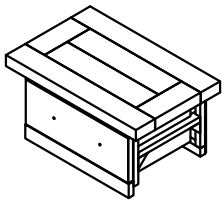
Ø4: 1PC



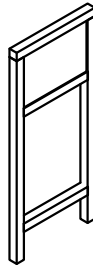
Ø6x35(mm): 18 PCS



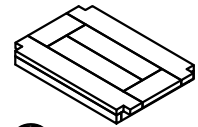
Ø6/Ø16(mm): 18 PCS



**1** x 1 PC

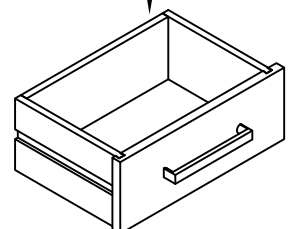
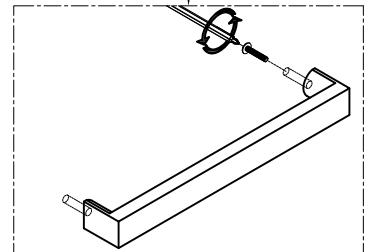
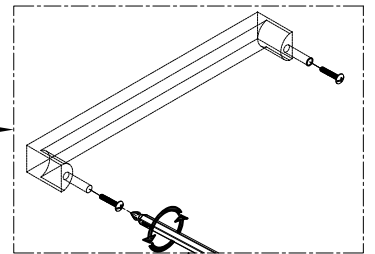
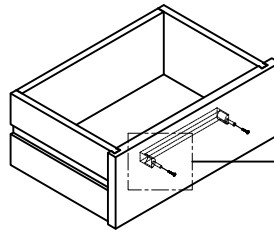
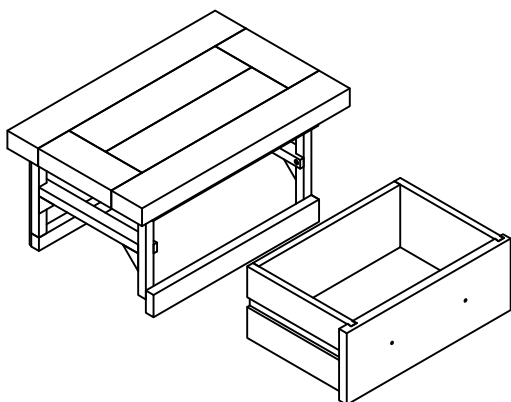
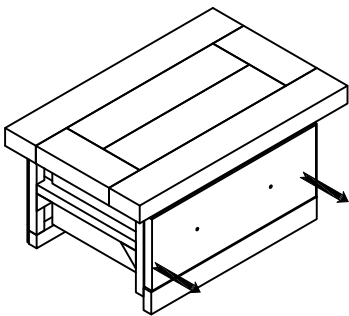


**2** x 2 PCS

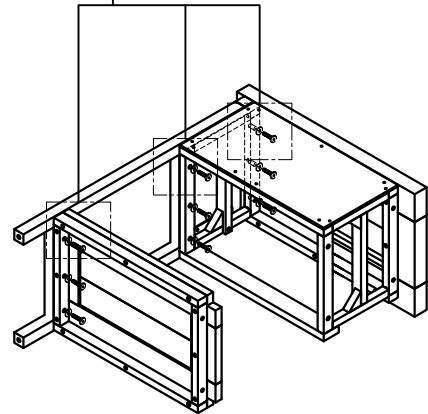
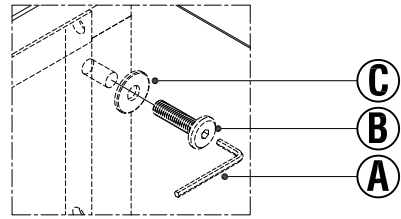
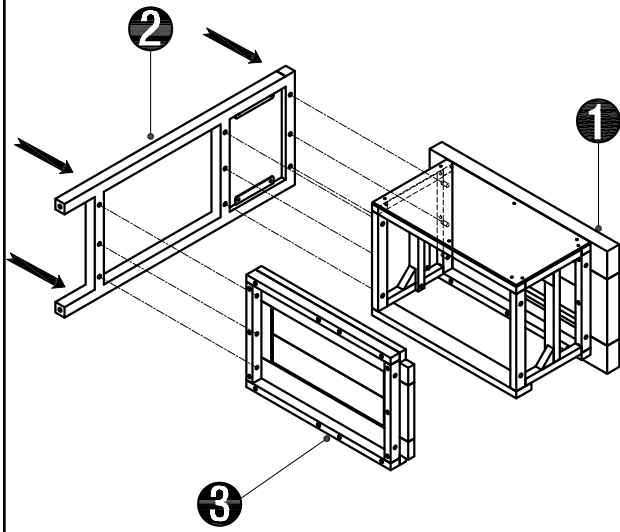


**3** x 1 PC

**STEP 1**

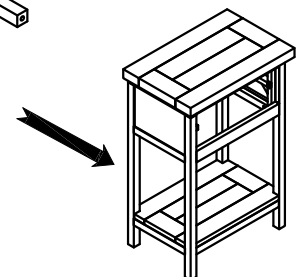
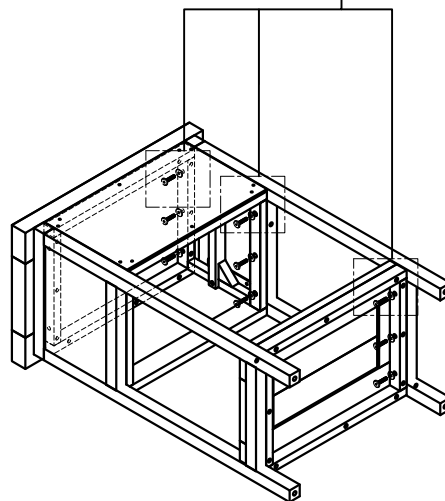
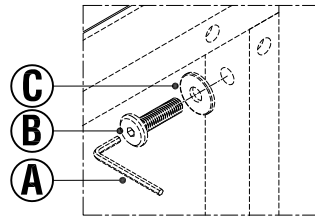
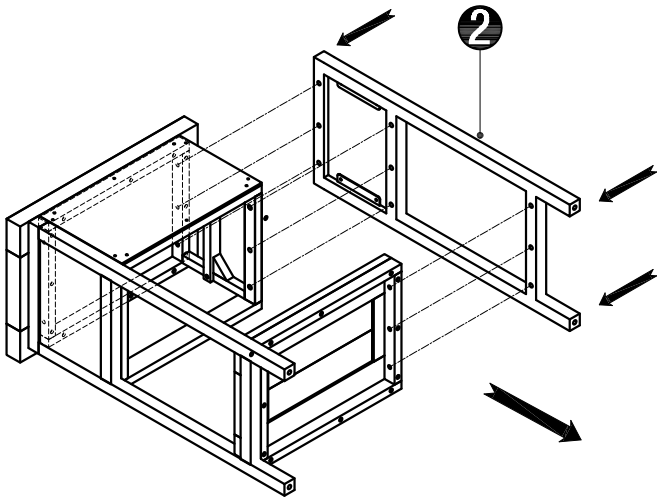


**STEP 2**



- A** Ø4: 1PC
- B** Ø6x35(mm): 9 PCS
- C** Ø6/Ø16(mm): 9 PCS

**STEP 3**



- A** Ø4: 1PC
- B** Ø6x35(mm): 9 PCS
- C** Ø6/Ø16(mm): 9 PCS

STEP 4

