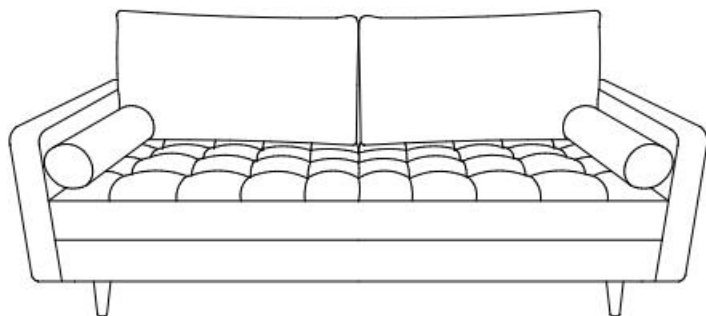


YN-1305 SOFA

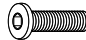



Thank you for purchasing our **SOFA**

Before you start, here are some helpful advice:

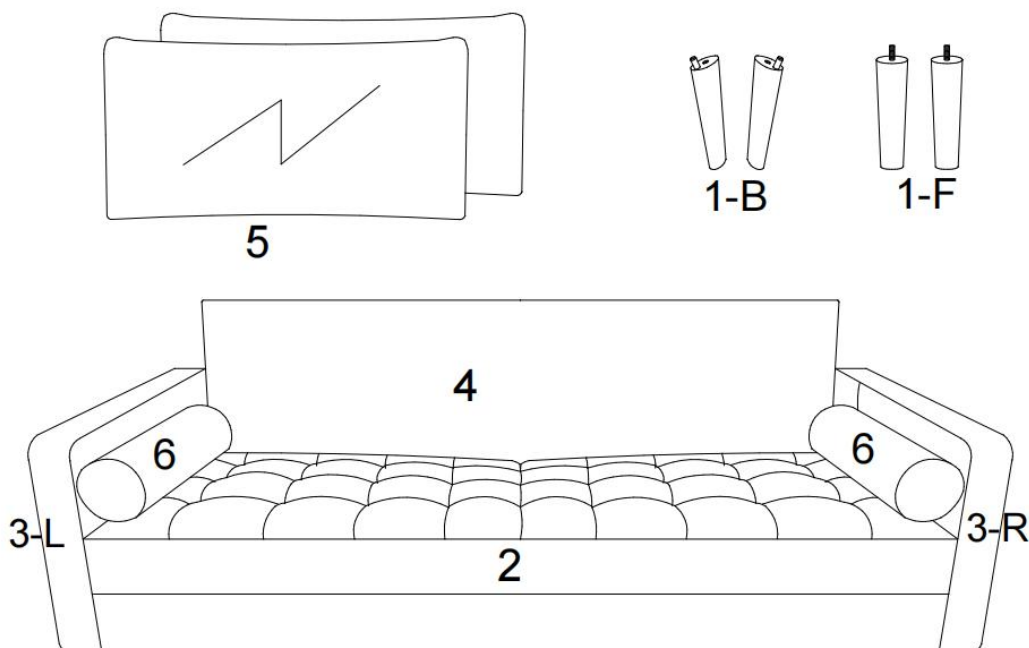
1. We suggest you spend a short time reading through this leaflet and then follow the simple step-by-step instructions.
2. Owing to the size and weight of the sofa, we recommend that it is assembled by two adults, on a carpeted or padded area, in the room that it is intended for. Approximate assembly time: 20 minutes.
3. Please do not use any tools other than those provided or recommended in these instructions.
4. Please do not throw away any of the packaging or the instruction until you have checked all the components and hardware and the furniture is fully assembled. Please ensure that the packaging is disposed of in a safe and environmentally friendly way.
5. Assemble all components loosely until advised to tighten. Depending on use, it may be necessary to tighten the components from time to time, so please save the tools that have been provided.
6. Please keep all pieces out of reach of children.
7. If you have any questions about the product: please send an email to our dedicated customer service email, and we will reply to your questions within 12 hours.



Hardware:

- | | | | |
|----|---|----------------|----|
| A. |  | Bolt M8x60mm | x2 |
| B. |  | Flat Washer M8 | x2 |
| C. |  | Allen Wrench | |
| D. |  | Felt pad | |

Components:

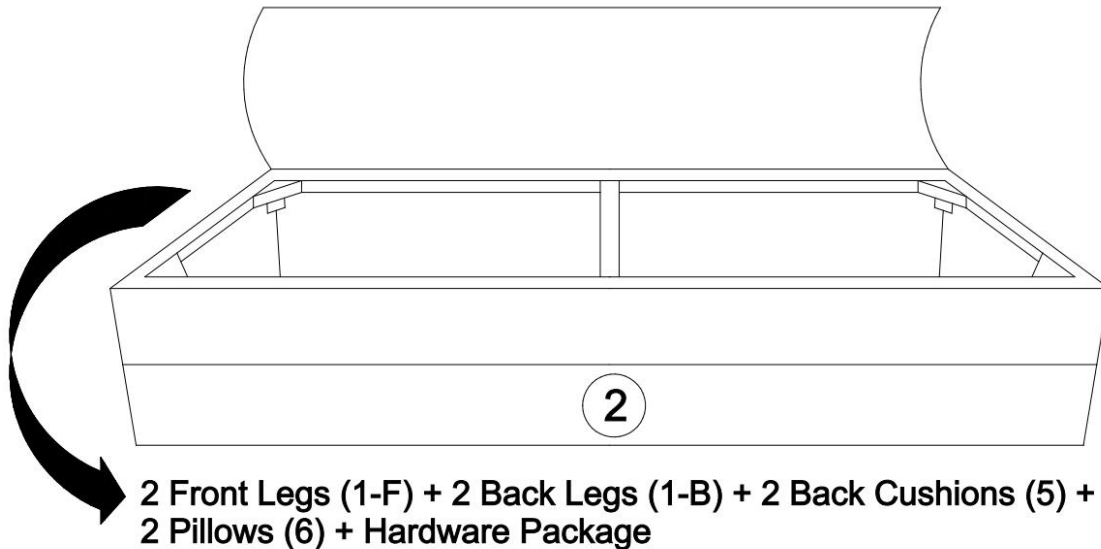


YN-1305 SOFA

1-F. Front Leg	x2	1-B. Back leg	x2	2. Sofa Seat	x1	3-L. Left Arm	x1
3-R. Right Arm	x1	4. Sofa Back	x1	5. Back Cushion	x2	6. Pillows	x2

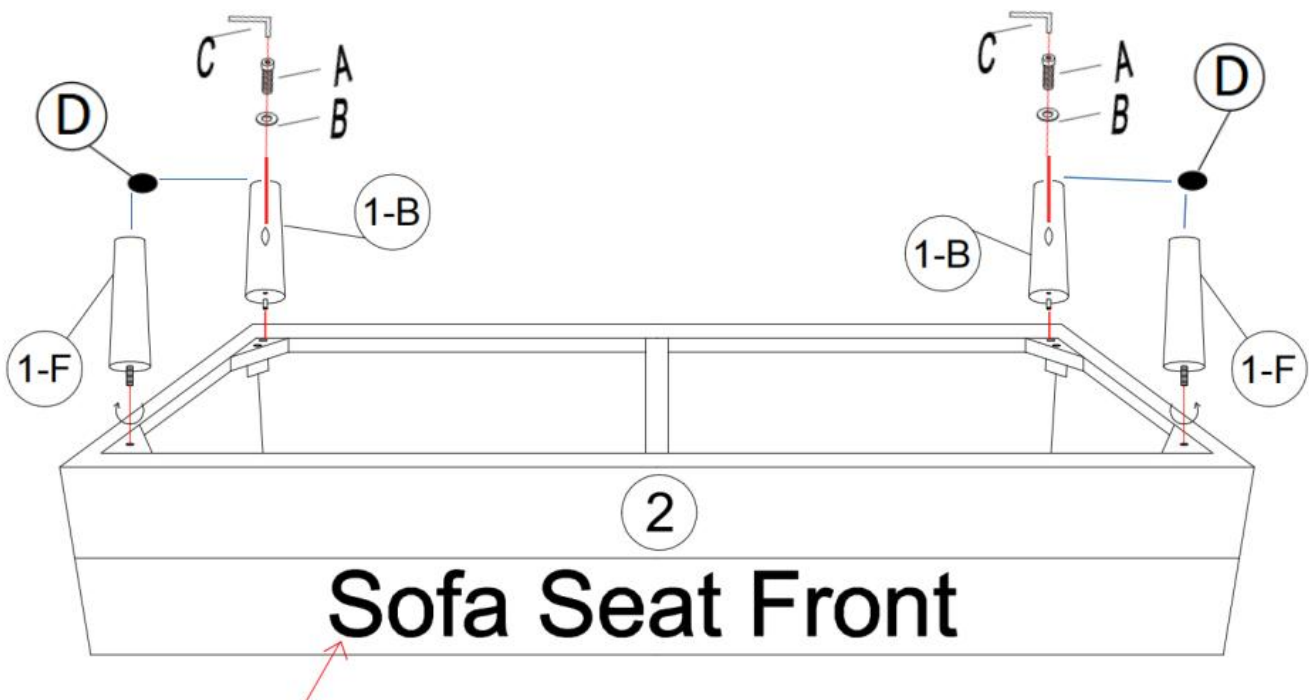
STEP 1:

1. Please put **Sofa Seat (2)** upside down on a carpeted or padded surface.
2. Open the Velcro on the bottom of the **Sofa Seat (2)** and take out the 2 pieces of **Front Legs (1-F)**, 2 pieces of **Back Legs (1-B)**, 2 pieces of **Back Cushions (5)**, 2pieces of **Pillows (6)** and hardware bag.

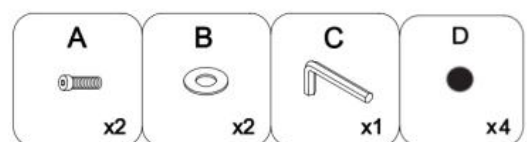


STEP 2:

1. Tighten 2 pieces of **Front Legs (4)** to the front bottom of the **Sofa Seat (1)** clockwise as shown by hand.
2. Attach 2 pieces of **Back Legs (5)** to the **Sofa Seat (1)** by using 2 pieces of **Bolts (A)** and 2 pieces of **Flat Washer (B)** as shown with Figure and Use **Allen Wrench (C)** to tighten all **Bolts (A)**. Then stick 4 pieces of the Felt Pads (A) to the bottom of the **Legs (4)**



The Sofa Seat Front is the same fabric with fabric cover.

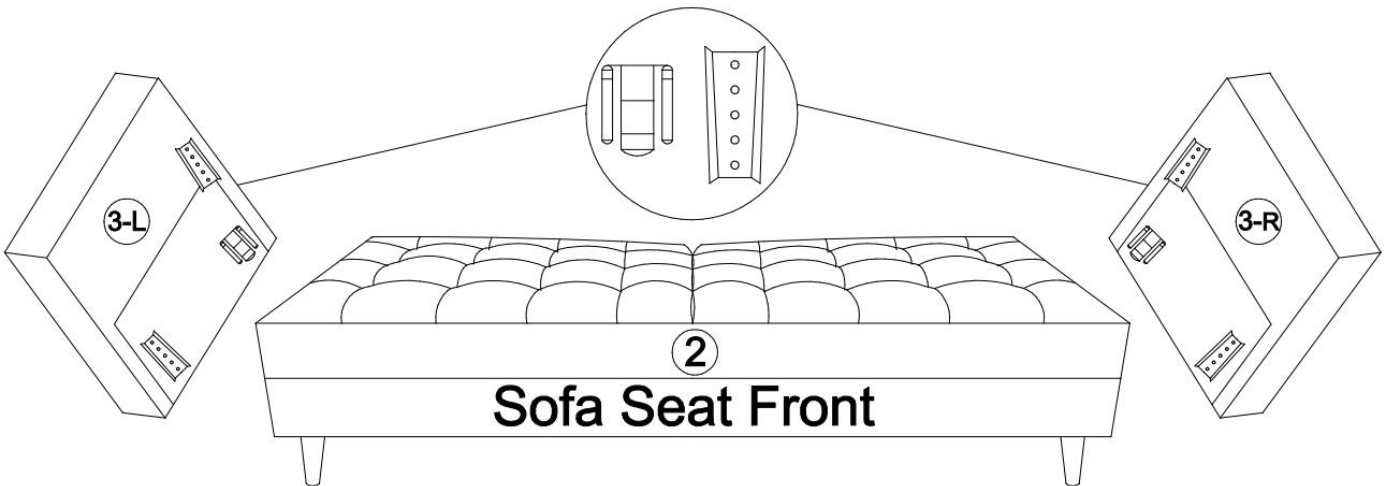


Hardware & Tools Required

YN-1305 SOFA

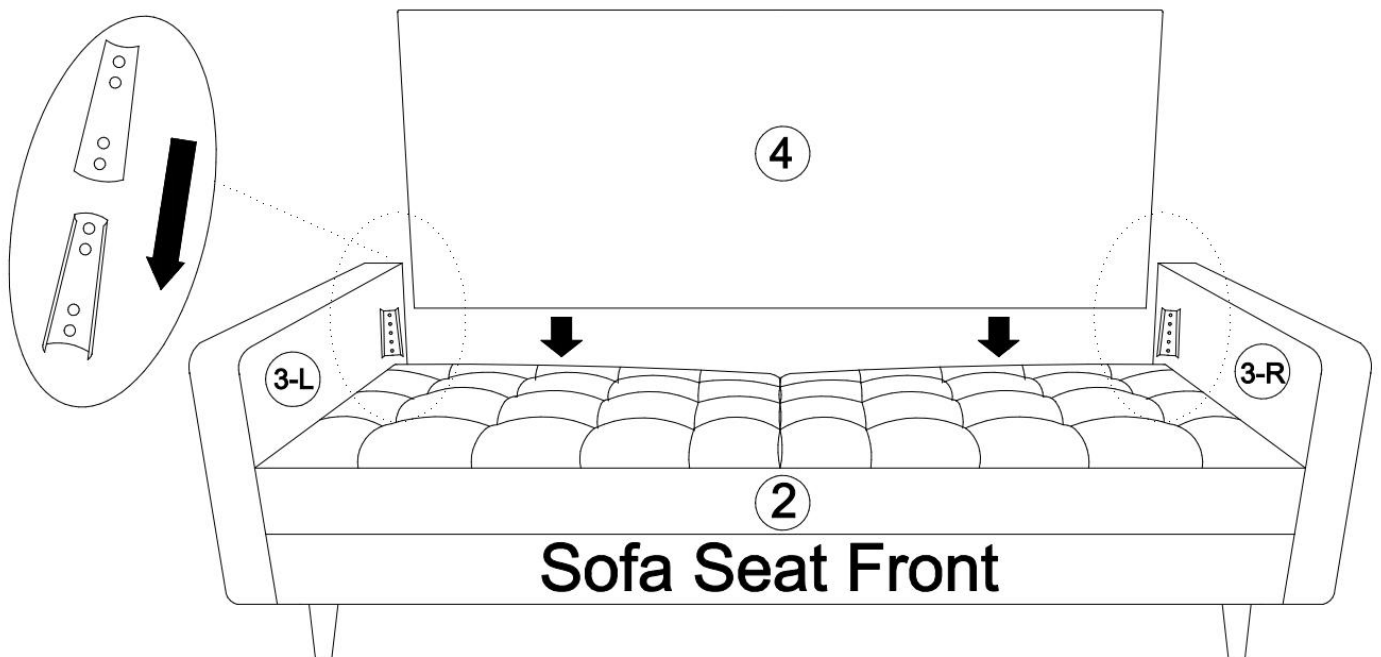
STEP 3:

1. Please carefully turn over **Sofa Seat (2)**.
2. Insert **Left Arm (3-L)** and **Right Arm (3-R)** to **Sofa Seat (2)** by using the pre-installed Clips on **Sofa Seat (2)**, **Left Arm (3-L)** and **Right Arm (3-R)** to lock each other as shown.



STEP 4:

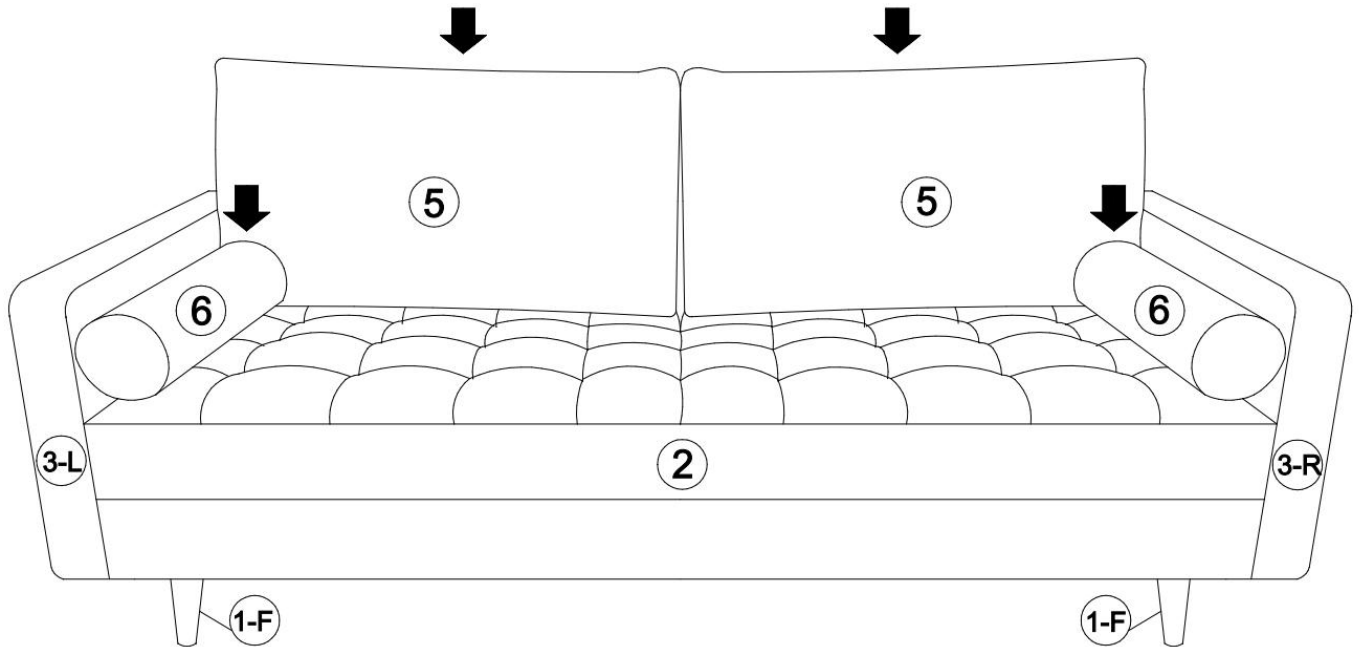
1. Insert **Sofa Back (4)** to **Left Arm (3-L)** and **Right Arm (3-R)** by using the pre-installed Clips on **Left Arm (3-L)**, **Right Arm (3-R)** and **Sofa Back (4)** to lock each other as shown.



YN-1305 SOFA

STEP 5

Carefully put 2 pieces of **Back Cushion (5)** and 2 pieces of **Pillows (6)** to the assembled **Sofa Seat (2)**, **Left Arm (3-L)**, **Right Arm (3-R)** and **Sofa Back (4)** as shown.



Thank you for the assembly. The assembly is complete. Your sofa is ready to enjoy now -- From FDL

