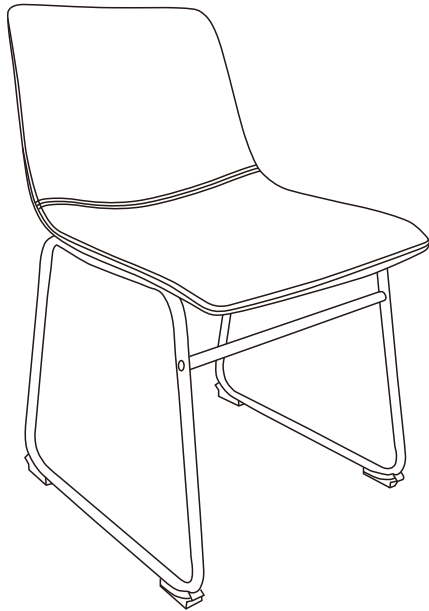
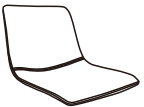


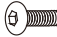



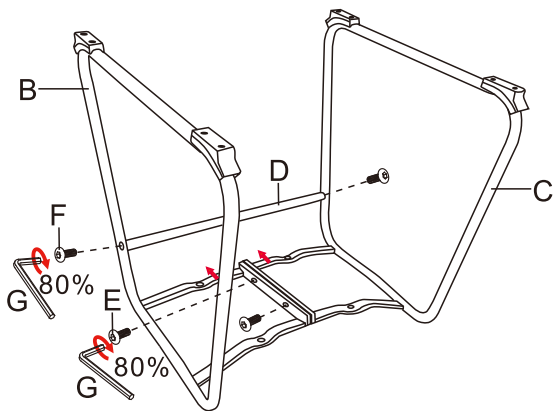


ASSEMBLY INSTRUCTIONS

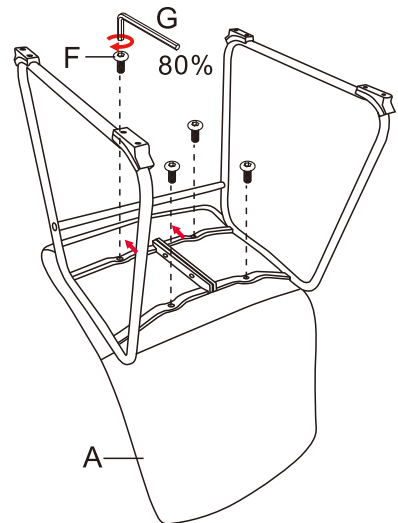


Ax1 	Ex2 
Bx1 	Fx6 
Cx1 	Gx1 
Dx1 	

1

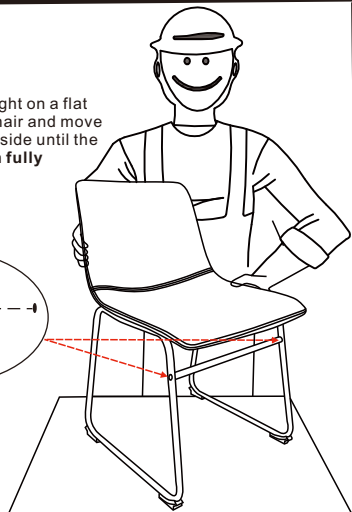
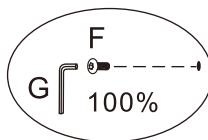


2

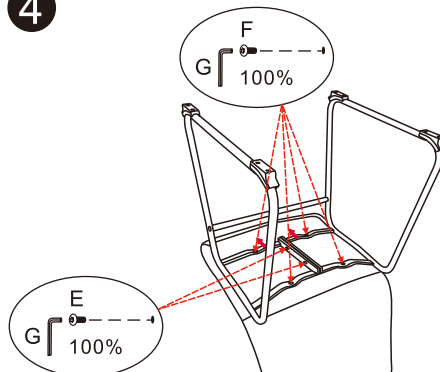


3

Place the chair upright on a flat surface. Hold the chair and move the backrest side to side until the legs are level. Then fully tighten all bolts



4



5

