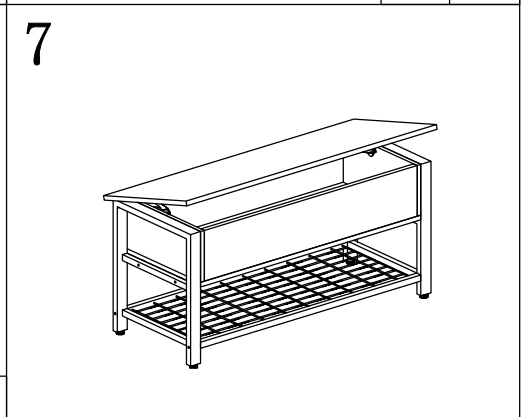
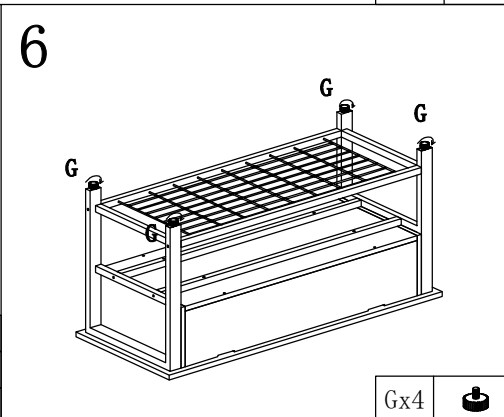
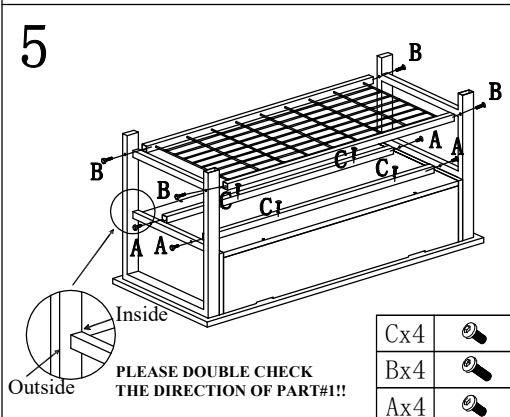
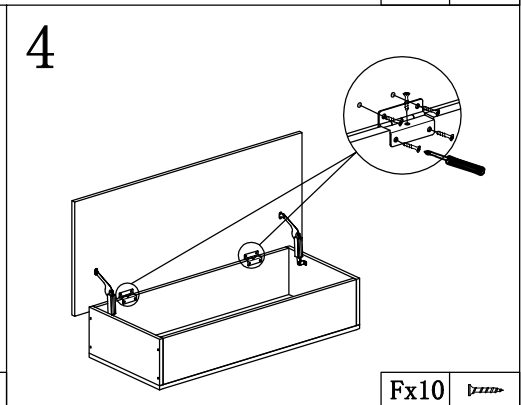
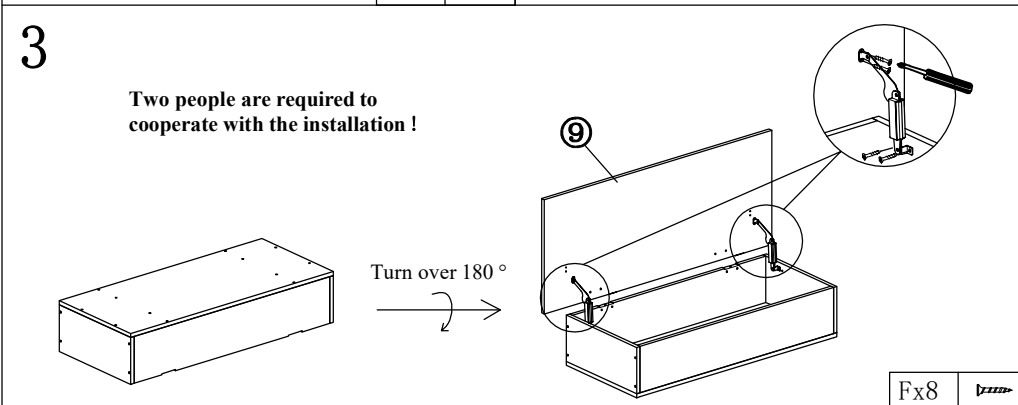
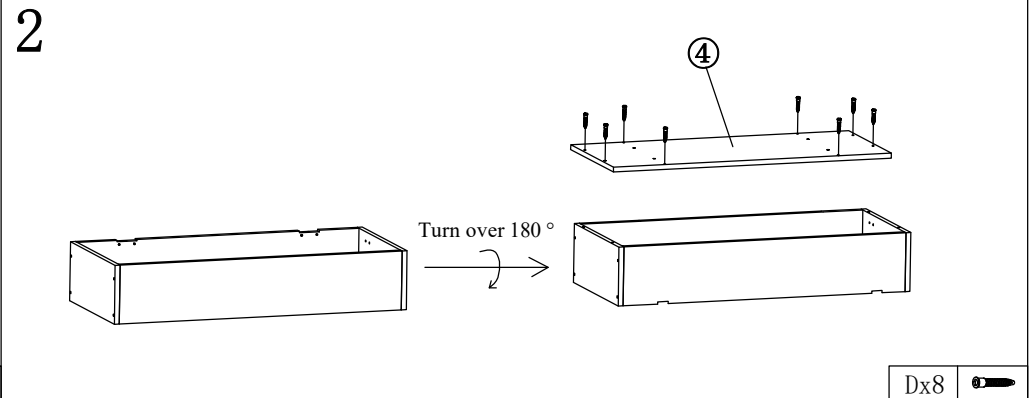
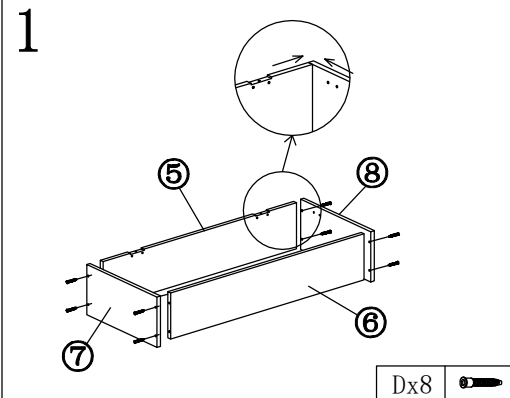
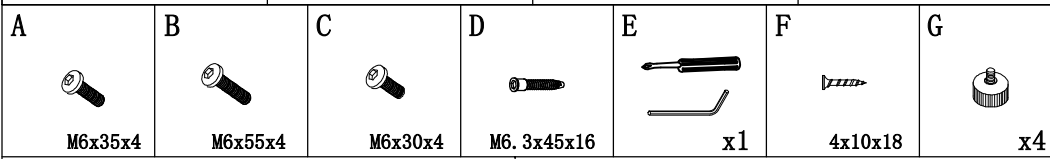
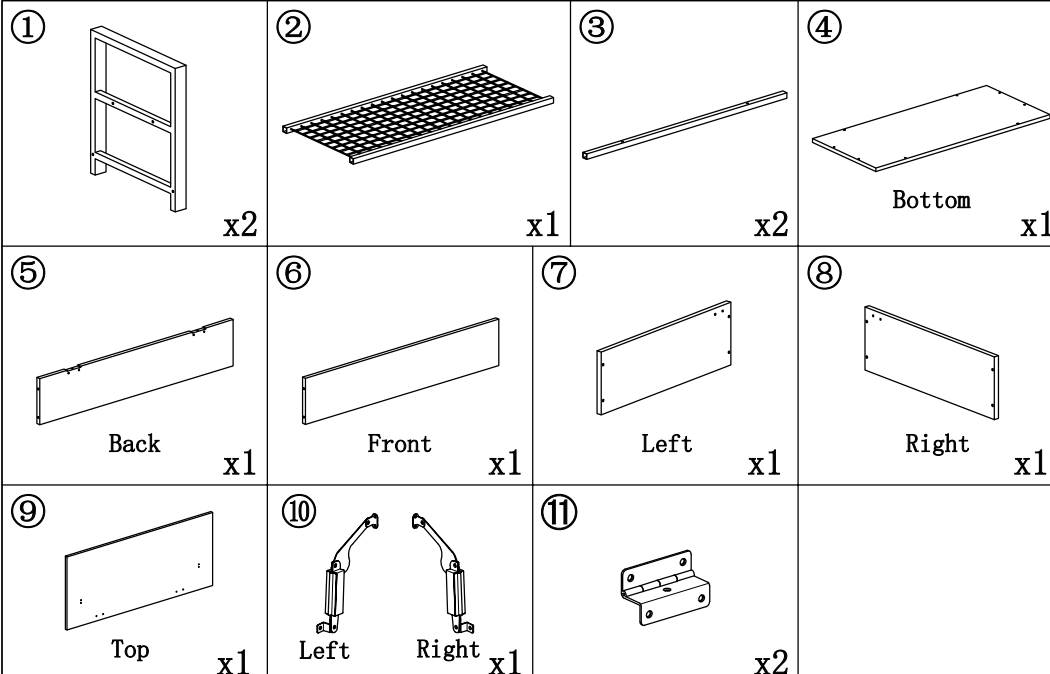
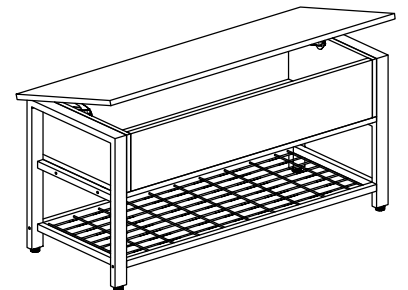


HOMEKOKO

ASSEMBLY INSTRUCTION



If there have parts missing or other problems, please contact our customer service.
Email to xzretail@outlook.com
which include your order ID, detailed address and issue content.