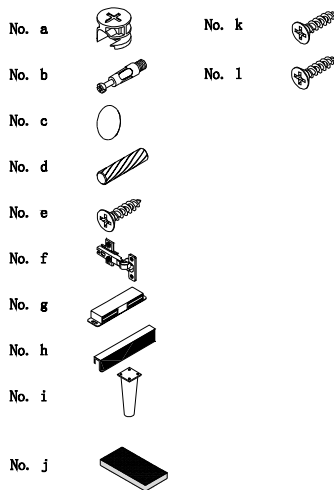
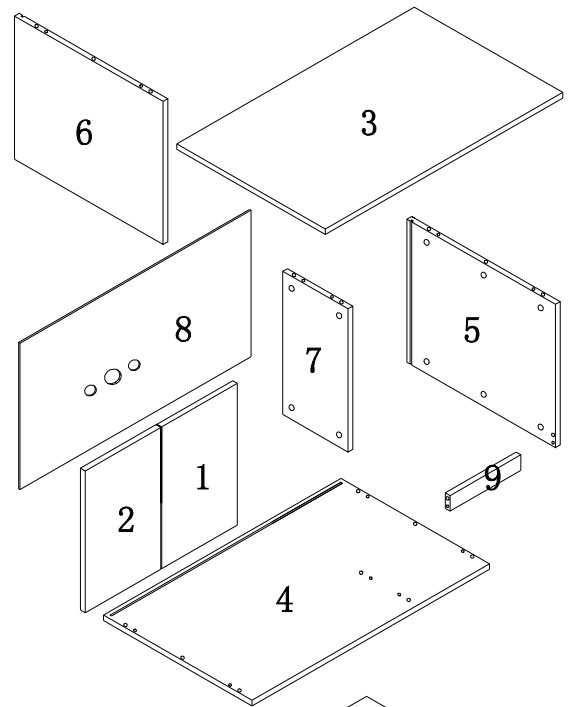


Item No.	Cat Litter Box Enclosure	Height
		800 jÅ 559 jÅ 508 mm

No.	Description	Measurement in mm	Quantity
No. 1	Right Door Plate		1
No. 2	Left Door Plate		1
No. 3	Top Panel		1
No. 4	Bottom Plate		1
No. 5	Right Side Panel		1
No. 6	Left Side Panel		1
No. 7	Middle Side Panel		1
No. 8	Back Panel		1
No. 9	Front Drawbar Panel		1
No. a	Cam Lock		18
No. b	Bolt for Cam Lock		18
No. c	Sticker		18
No. d	Dowel Ø*40mm		18
No. e	Countersunk screw 4*14mm		2
No. f	Hinge		4
No. g	Closing Latch, Magnetic		1
No. h	Knob		2
No. i	Square Metal Feet		4
No. j	CAT26 Scratcher		1
No. k	Countersunk screw 4*12mm		4
No. l	Countersunk screw 4*16mm		40



Advice:
 Do not sit or stand on this product.
 It is intended for pets only.
 This product should be assembled by
 an adult.

For the convenience and
 neatness of reading the
 manual, the door panel here
 is displayed using a simple
 drawing method.

