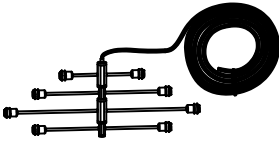
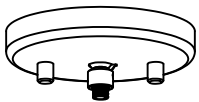



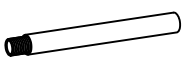

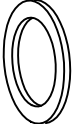





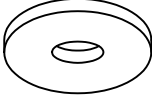
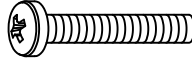


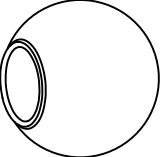

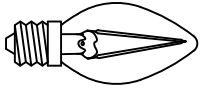


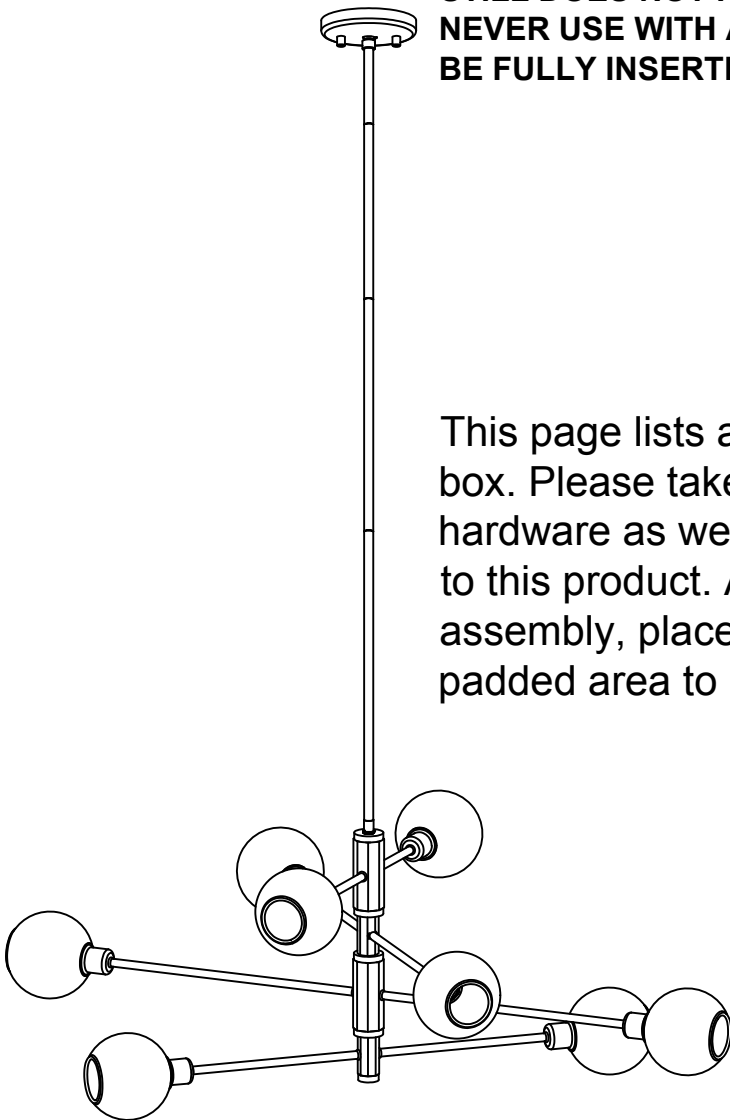
ASSEMBLY INSTRUCTION

STEEL 8-LIGHT CHANDELIER

| | | | |
|---|--|---|--|
| <p>A LAMP HOLDER FRAME</p>  <p>1PC</p> | <p>B CANOPY</p>  <p>1PC</p> | <p>C TUBE Ø11.7*380</p>  <p>1PC</p> | <p>D TUBE Ø11.7*305</p>  <p>1PC</p> |
| <p>E TUBE Ø11.7*230</p>  <p>1PC</p> | <p>F TUBE Ø11.7*100</p>  <p>1PC</p> | <p>G RING ACCESSORY Ø31.8*10</p>  <p>1PC</p> | <p>H PLASTIC WASHER Ø35*Ø25*2</p>  <p>16PCS</p> |
| <p>I LAMP HOLDER RING Ø60*5.5</p>  <p>8PCS</p> | <p>J RING ACCESSORY (Assembled) Ø15*2</p>  <p>2PCS</p> | <p>K TUBE (Assembled) Ø12*20</p>  <p>1PC</p> | <p>L TUBE Ø12*15</p>  <p>2PCS</p> |
| <p>M ACCESSORY (Assembled) Ø26*12</p>  <p>1PC</p> | <p>N WASHER Ø12*Ø4.5*1</p>  <p>2PCS</p> | <p>O SCREW 5/32"-32T*25</p>  <p>2PCS</p> | <p>P WIRE CONNECTOR Ø9.9*17.7</p>  <p>2PCS</p> |
| <p>Q WIRE CONNECTOR Ø8.6*15.2</p>  <p>1PC</p> | <p>R GLASS COVER Ø110</p>  <p>8PCS</p> | <p>S CLIP (FOR ASSEMBLING GLASS)</p>  <p>1PC</p> | <p>T BULB</p>  <p>8PCS</p> |

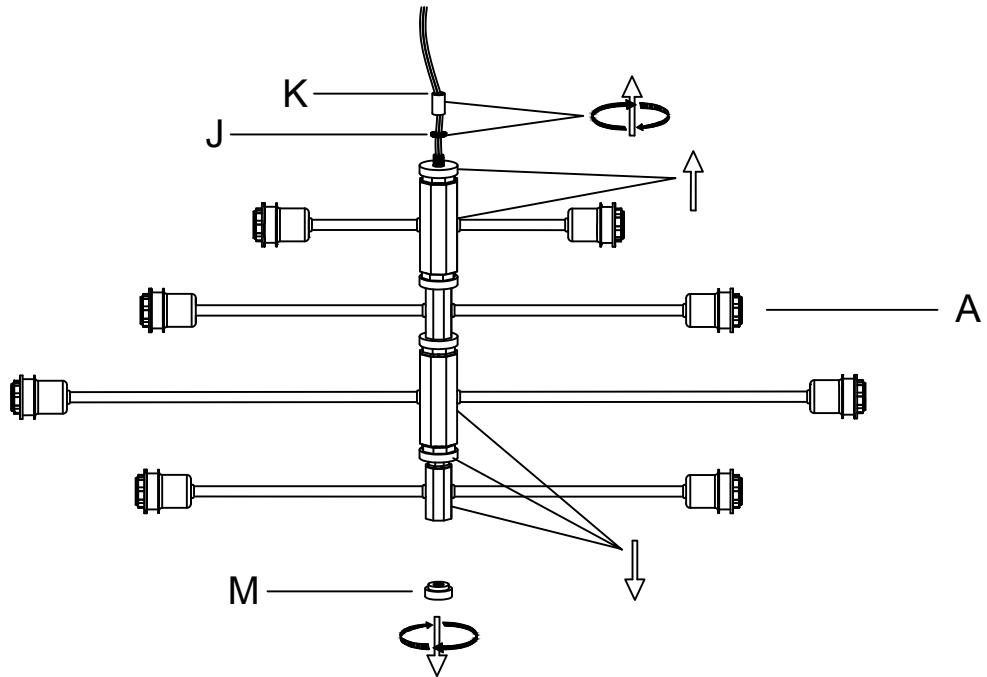
IMPORTANT SAFETY INSTRUCTIONS

THIS PENDANT LAMP HAS A POLARIZED PLUG (ONE BLADE IS WIDER THAN THE OTHER) AS A SAFETY FEATURE TO REDUCE THE RISK OF ELECTRIC SHOCK. THIS PLUG WILL FIT IN A POLARIZED OUTLET ONLY ONE WAY. IF THE PLUG DOES NOT FIT FULLY IN THE OUTLET, REVERSE THE PLUG. IF IT STILL DOES NOT FIT, CONTACT A QUALIFIED ELECTRICIAN. NEVER USE WITH AN EXTENSION CORD UNLESS PLUG CAN BE FULLY INSERTED. DO NOT ALTER THE PLUG.

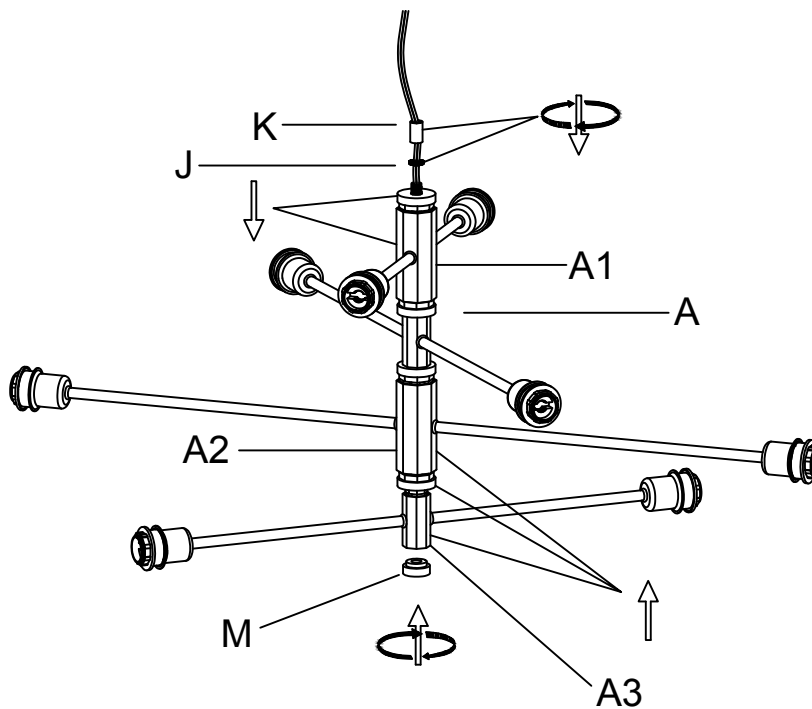


This page lists all the contents included in the box. Please take the time to identify the hardware as well as the individual components to this product. As you unpack and prepare for assembly, place the contents on a carpeted or padded area to protect them from damage.

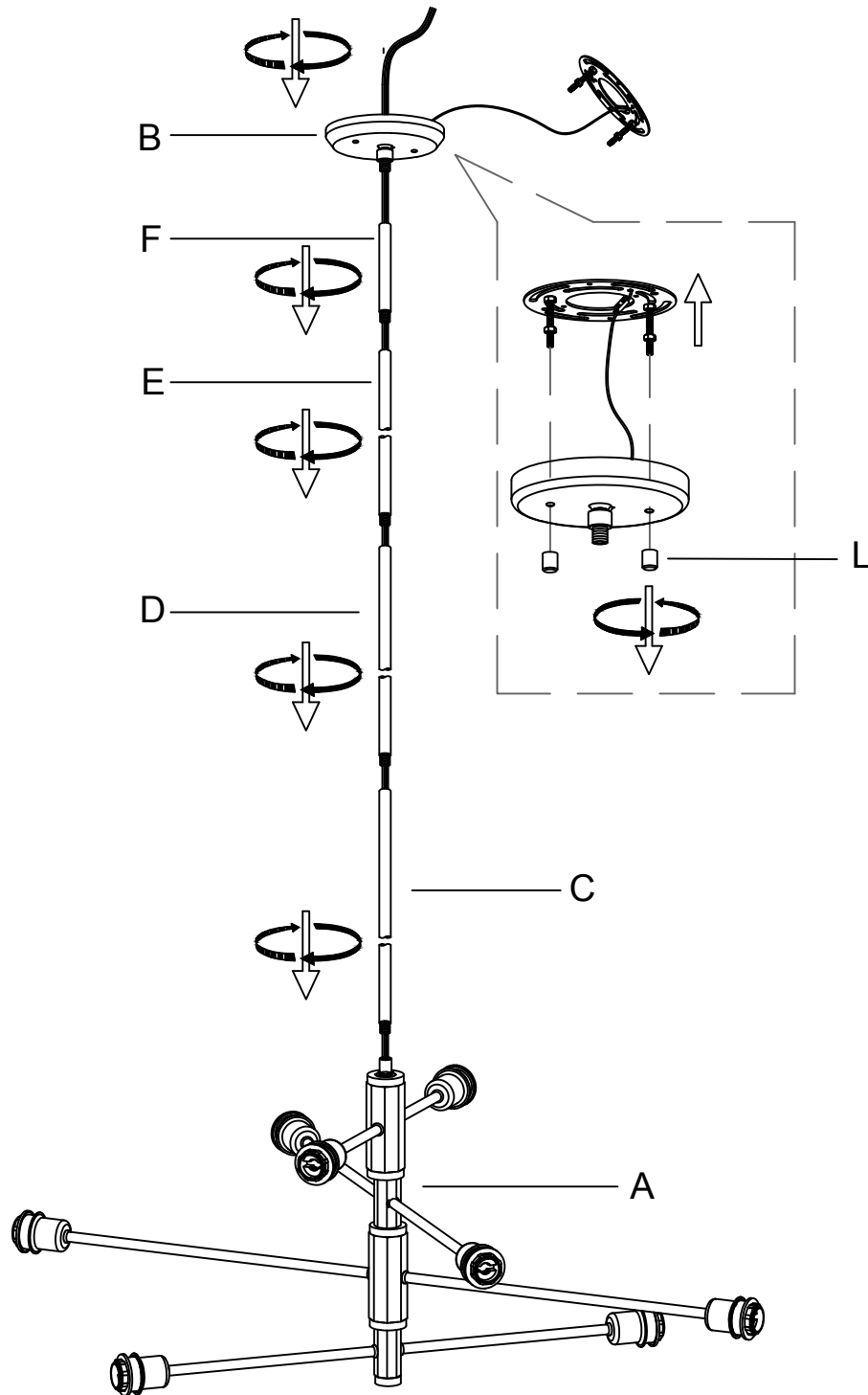
1 Take off tube(K), ring accessory(J), accessory(M).



2 Change the direction of tube(A1, A2, A3) as you want and assemble tube(K), ring accessory(J), accessory(M) on it.

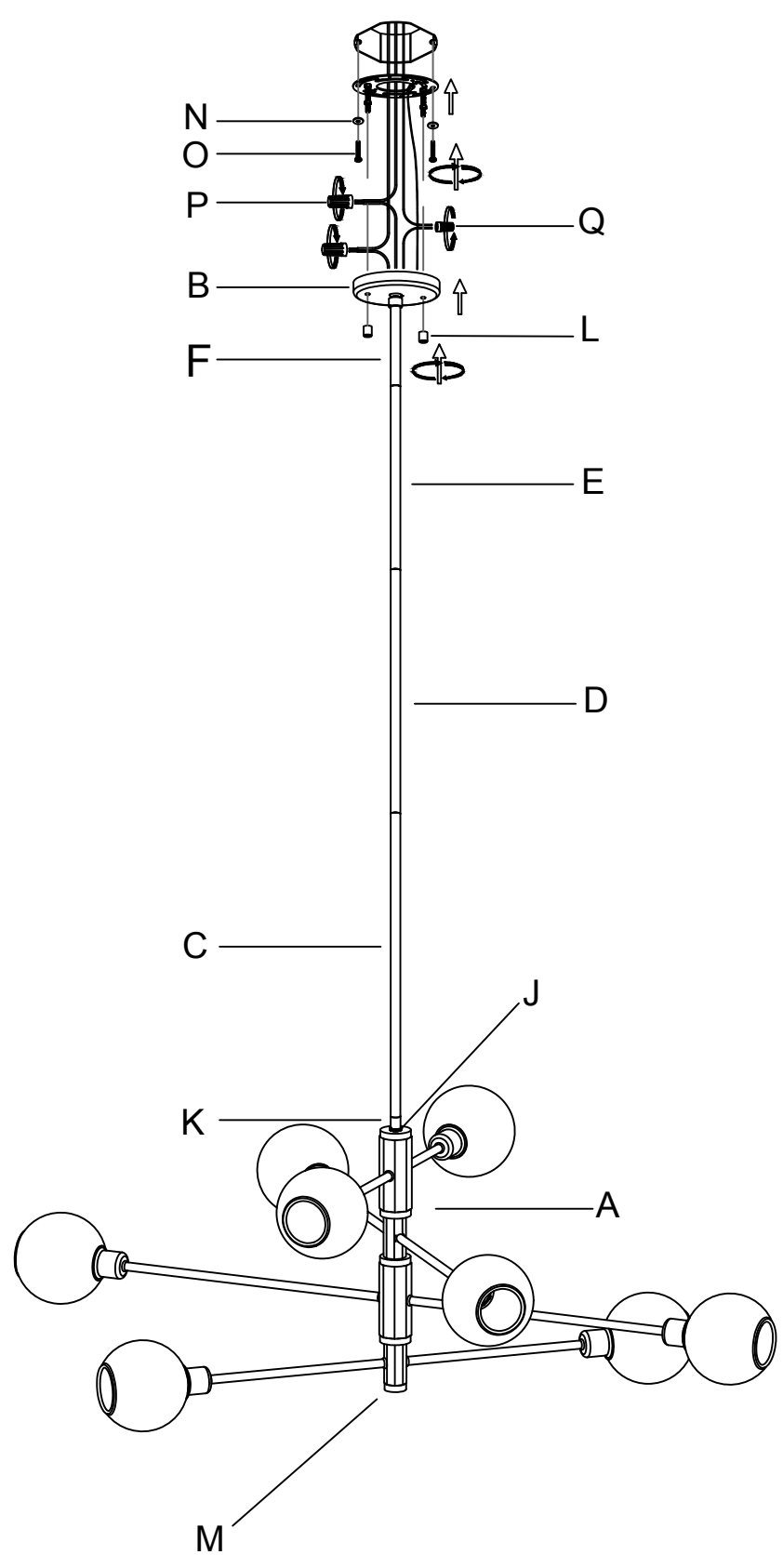


- 3** Loosen the tube(L) which is on the canopy(B) and then take off the bracket. Assemble the tube(C,D,E,F) on the lamp holder frame(A), client can decide to the assemble of tube. Last, assemble tube(F) on the canopy(B).

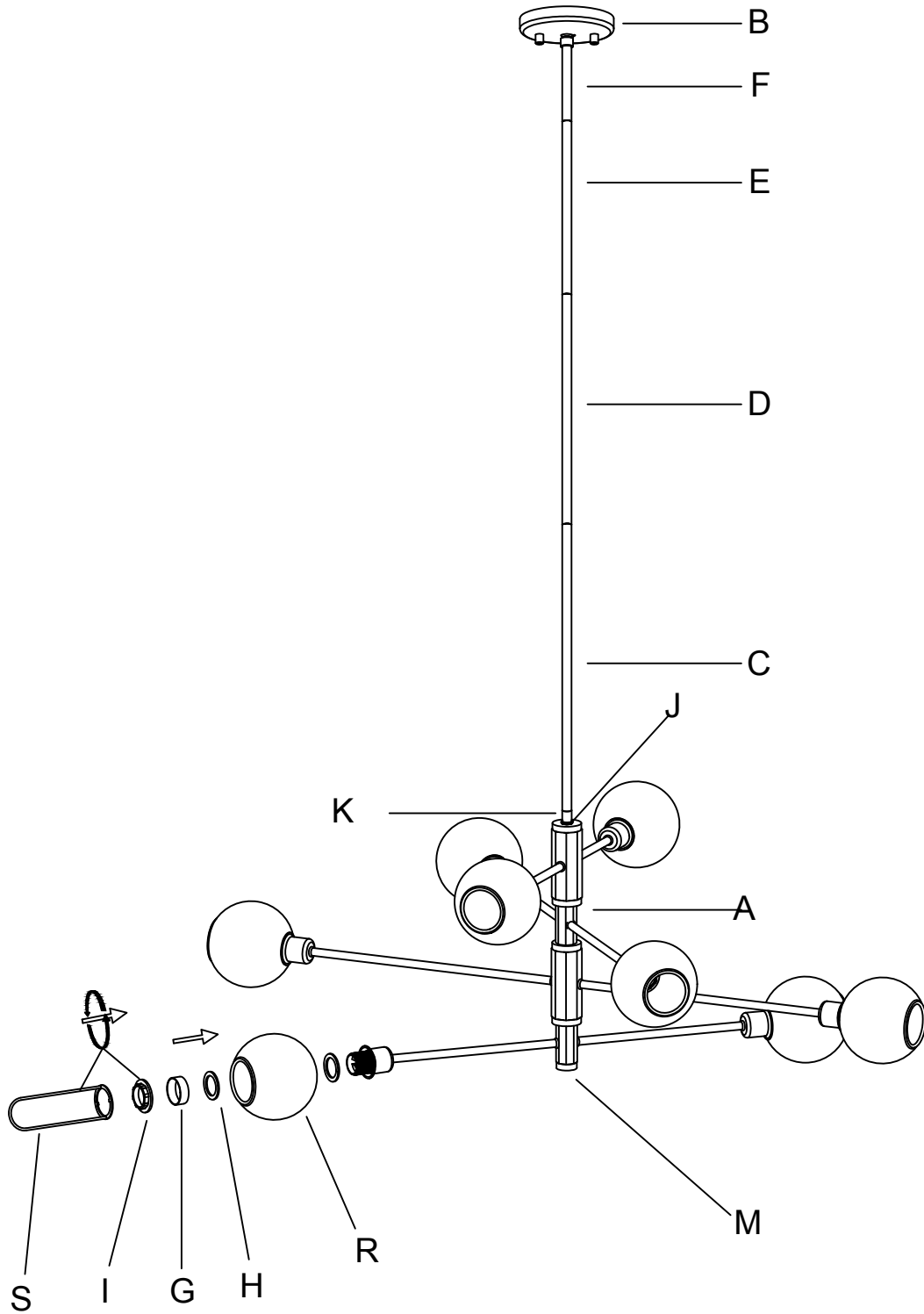


4 Assemble screw(O) and washer(N) together with bracket on the terminal box and connect "L" wire and "N" wire with wire connector(P) separately.

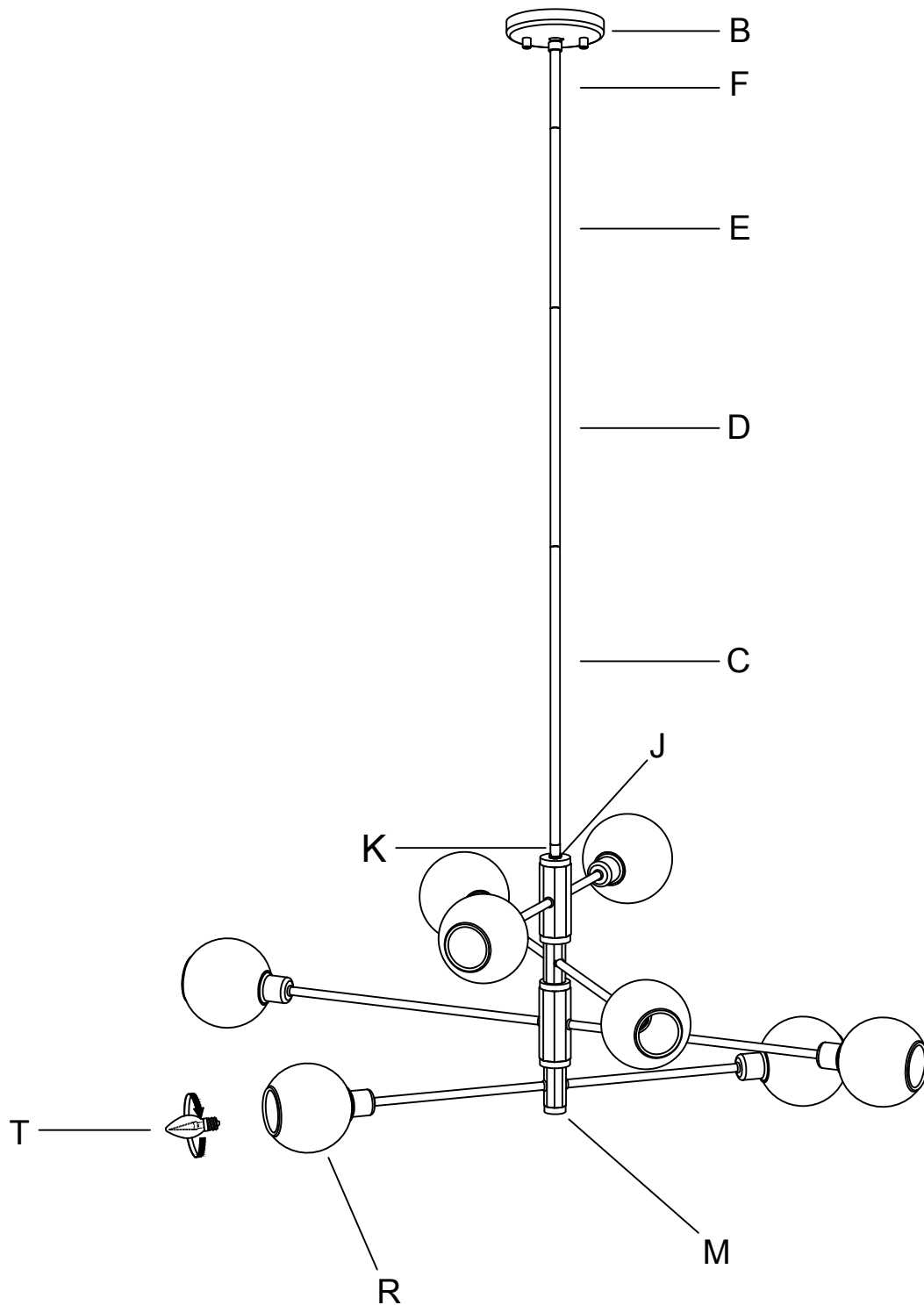
Lastly, connect ground wire with wire connector(Q).



- 5** Firstly, take off plastic washer(H), ring accessory(G), lamp holder ring(I).
Second, put on plastic washer(H) on the lamp holder.
Third, assemble the glass cover(R) on it and then assemble plastic washer(H).
Lastly, put on ring accessory(G) and use clip(S) to tight lamp holder ring(I).



6 Assemble the bulb(T).



Cleaning & Care

Treat surface with care. Surface is resistant to scratches but is not scratch resistant. Clean surfaces with a dry or damp soft cloth. Do not use abrasive cleaners. Hardware may loosen over time. Periodically check that all connections are tight.