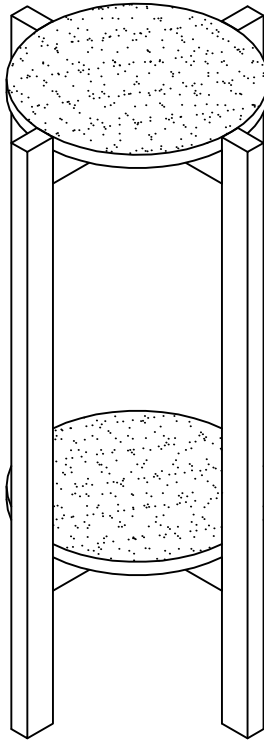


# PLANT STAND MEDIUM

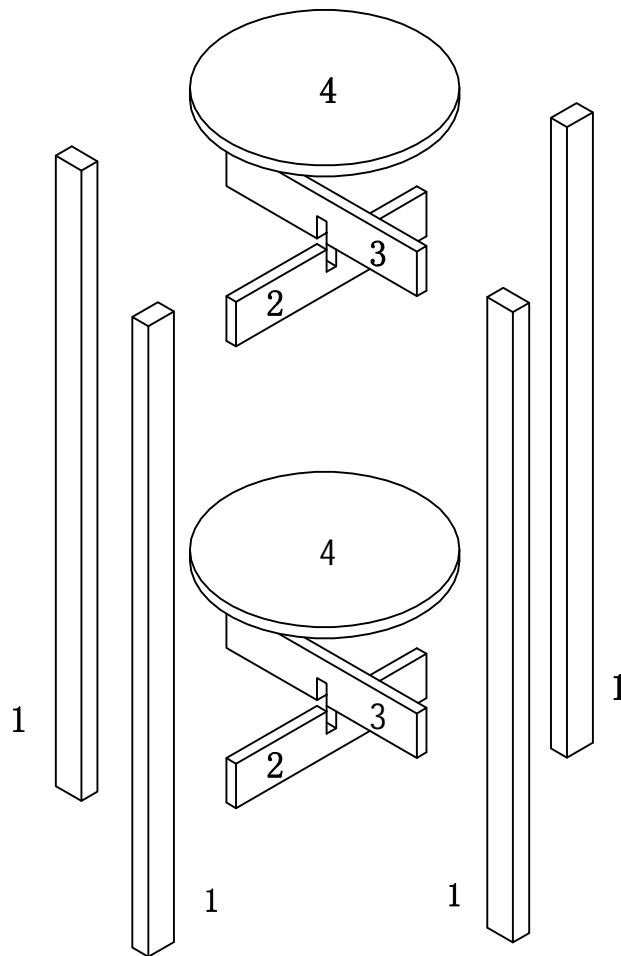


## **Assembly instructions**

We have designed our furniture with you, the customer in mind. Our clear, easy to follow, step by step instructions will guide you through the project from start to finish. Feel confident that this will be a fun and rewarding project. The final product will be a quality piece of furniture that will go together smoothly and give you years of enjoyment.

# PARTS IDENTIFICATION



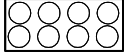



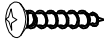


---



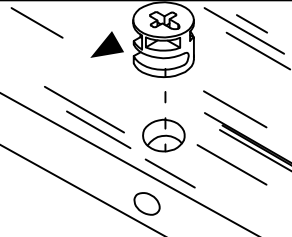
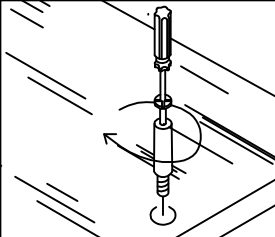
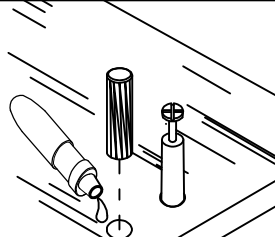
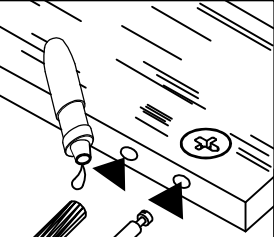
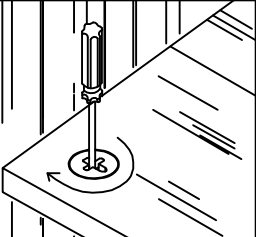
**Please count and verify all parts  
before assembly**

(1) Leg	4pcs
(2) Lower crossbar	2pcs
(3) Upper crossbar	2pcs
(4) Top/Bottom shelves	2pcs

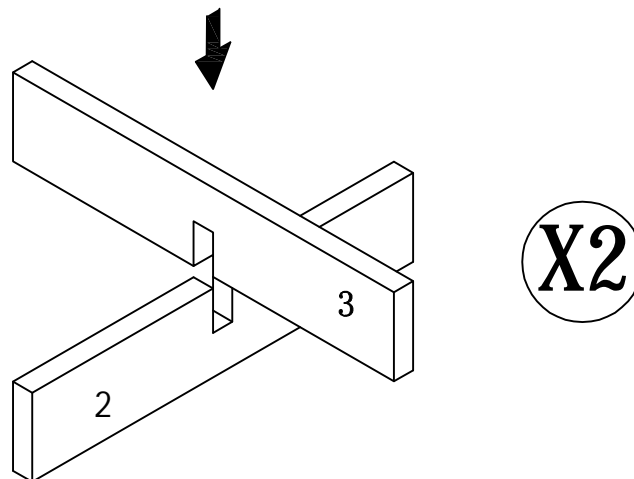
# HARDWARE IDENTIFICATION

<b>A</b>		Cambolt	L29	24pcs
<b>B</b>		Camlock	φ15	24pcs
<b>C</b>		Cover	φ20	24pcs
<b>D</b>		Foot Tack	φ16	4pcs
<b>E</b>		Anti-Tip Strap	197x5x1	1pc
<b>F</b>		Bracket	12x12x1	2pcs
<b>G</b>		Screw	Ø4x25	1pc
<b>H</b>		Wall Screw	Ø5x40	1pc
<b>I</b>		Plastic Anchor	Ø8x40	1pc

## Assembling the unit with camlocks and wood dowels.

				
Insert camlock, camlock must face bolt hole	Gently screw cam dowel into the threaded anchor	lightly glue one end of wood dowel and tap into hole.	lightly glue dowel and connect to second panel by inserting dowels into holes	Gently screw the cam clockwise into locked position. Do not overtighten.

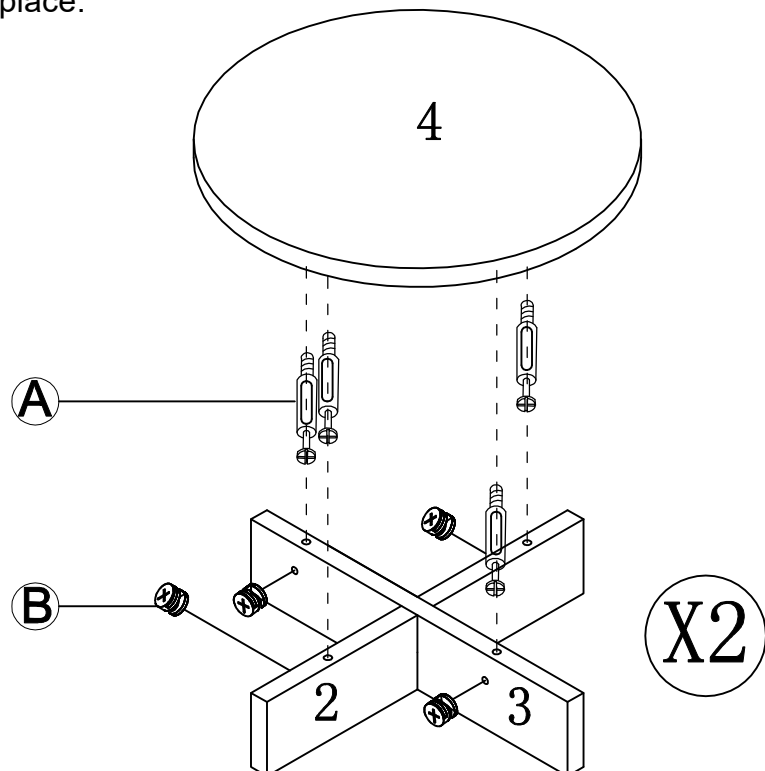
# Step1



1. Place upper crossbar (3) over lower crossbar (2) as shown.
2. Repeat step1 for second set of crossbars

# Step2

1. Screw cambolts (A) into shelf (4)
2. Attach shelf (4) to crossbars (2,3) using camlocks (B) and gently tighten in place.
3. Repeat 1-2 for second shelf

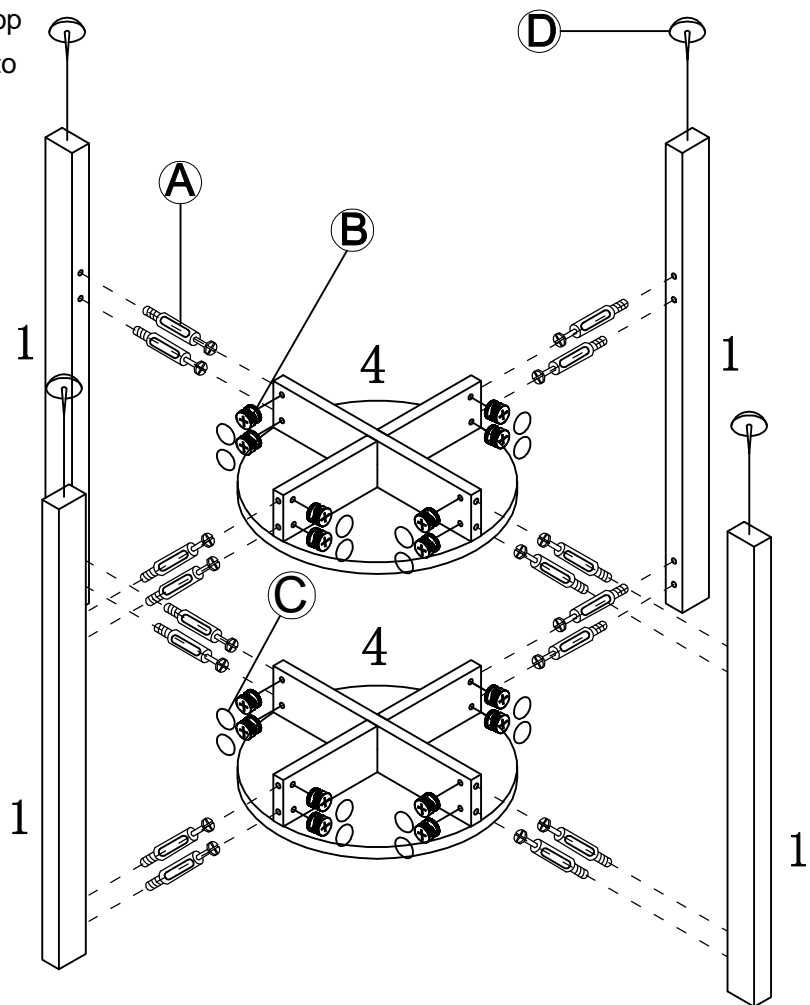


**Note: Refer to page 3 for camlock assembly.**

# Step3

\*Special note– Make sure to attach both top and bottom shelf to leg before moving on to next leg\*

1. Screw cambolts (A) into legs (1) as shown.
2. Attach legs (1) to both Top and Bottom shelf (4) assemblies using camlocks (B) as shown. Gently tighten camlocks.
3. Place covers (C) over cambolts.
4. Push foot tacks (D) into bottom of legs (1).



# Step4

To prevent injuries, we recommend consumers to securely anchor the console to the wall.

1. Drill a hole in the wall parallel with top of leg (1). Hammer anchor (I) into hole. Attach Bracket (F) to the wall using wall screw (H) as shown.
2. Attach Bracket (F) to top of leg (1) using screw (G) as shown.
3. Attach two brackets together using anti-tip strap and pulling the strap to the right place.

