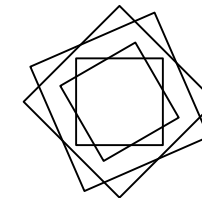
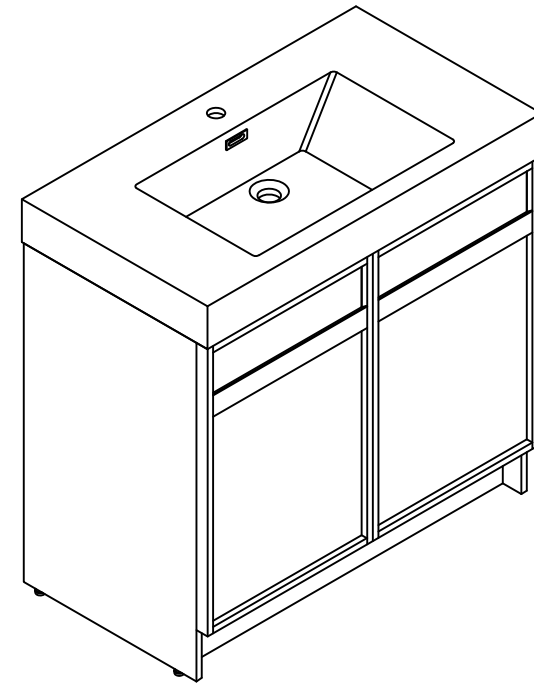


## THANKS FOR WATCHING

Your feedback is invaluable to us and we would love to hear about your experience. Please take the time to leave us a review.



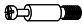







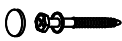




## Thank you for shopping with us!

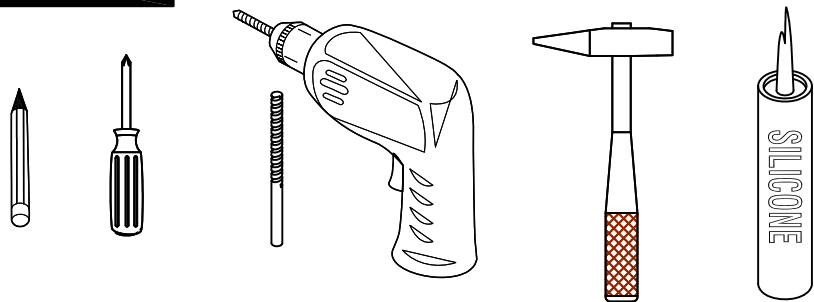
We encourage you to take a few minutes to go through this booklet. It contains important information on installation and care tips to keep your furniture looking as good as new.

# Item NO.:BV C11130 / BV C11136

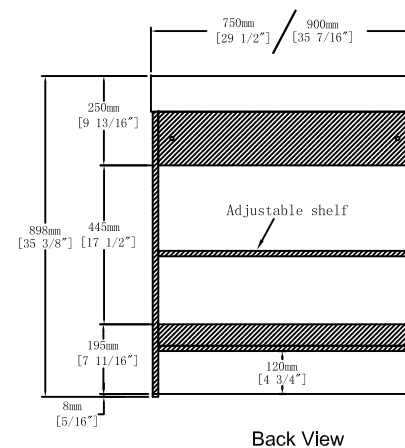
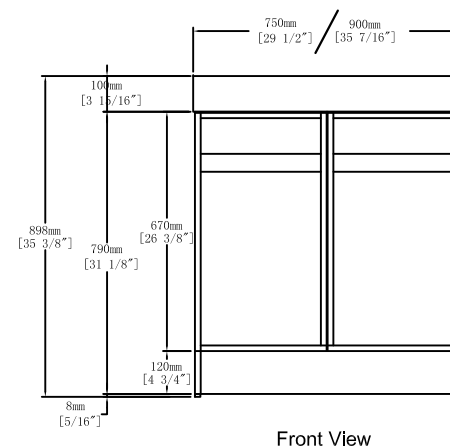
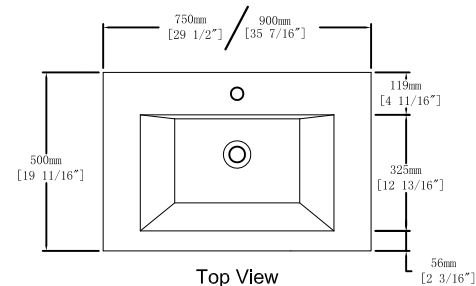
## Hardware

NO.	Draw	QTY	NO.	Draw	QTY
A	 Screws Ø4x14mm	44	I	 Hinges ( Full cover )	4
B	 Two-in-one connector	24	J	 Adjustable feet	4
C	 Two-in-one connector	24	K	 Movable laminate support	4
D	 Wood plug	4	L	 Anti-collision gasket	4
E	 Plastic anchor(Ø10mm)	2	M	 Screwdriver	1
F	 Screws for fix on the wall	2			
G	 Bracket (53x70x44mm)	2			
H	 Bracket (19x19x35mm)	2			

## Recommended tools



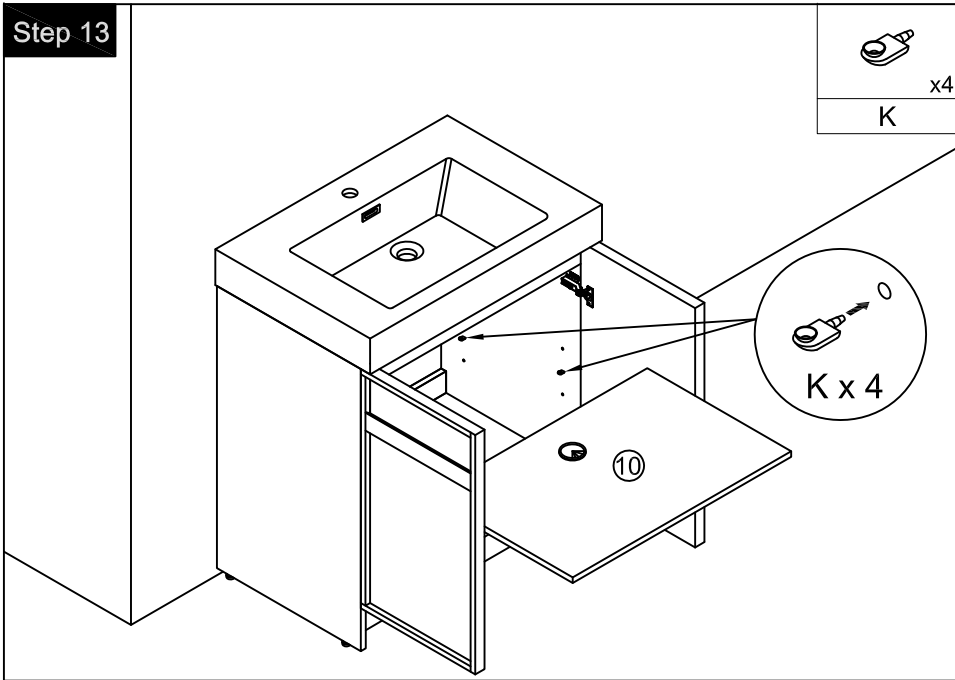
## Dimensions



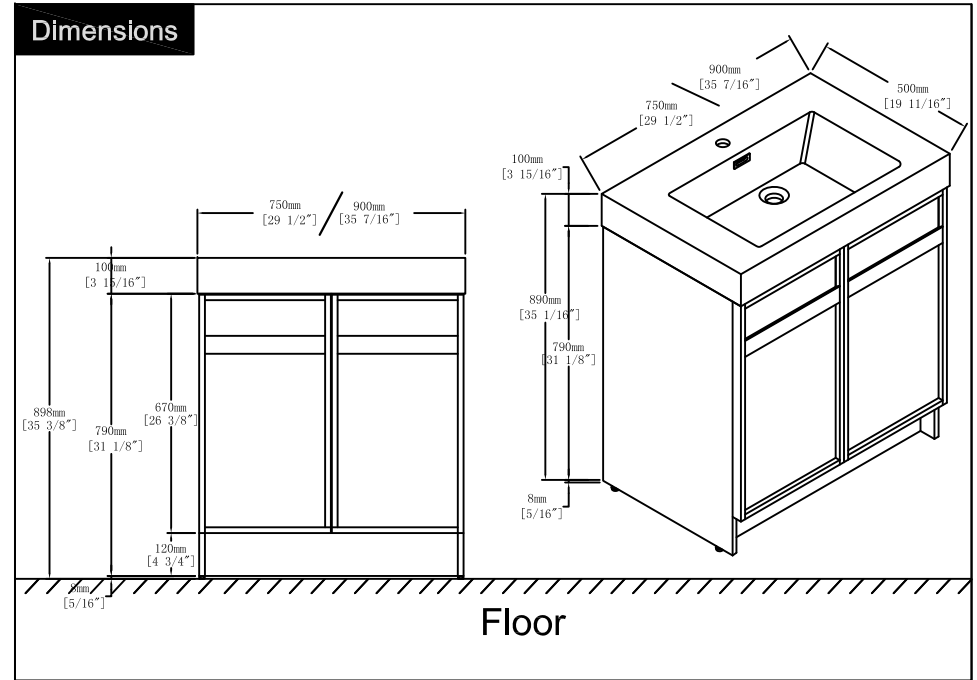
## CARE CLEANING AND MAINTENANCE

1. Dust regularly with a soft , dry cloth.
2. Avoid the use of all chemicals household cleaners, abrasives, or cleaners that contain lemon, vinegar, or other acids that may damage the finish.
3. Excessive exposure to sunlight and extreme changes in temperature and moisture can damage wood furniture.
4. The sink is fragile, please pay attention to maintaining its appearance.
5. Do not place hot appliances, such as curling irons and hot hair dryers directly on the countertop. Wipe spills immediately.

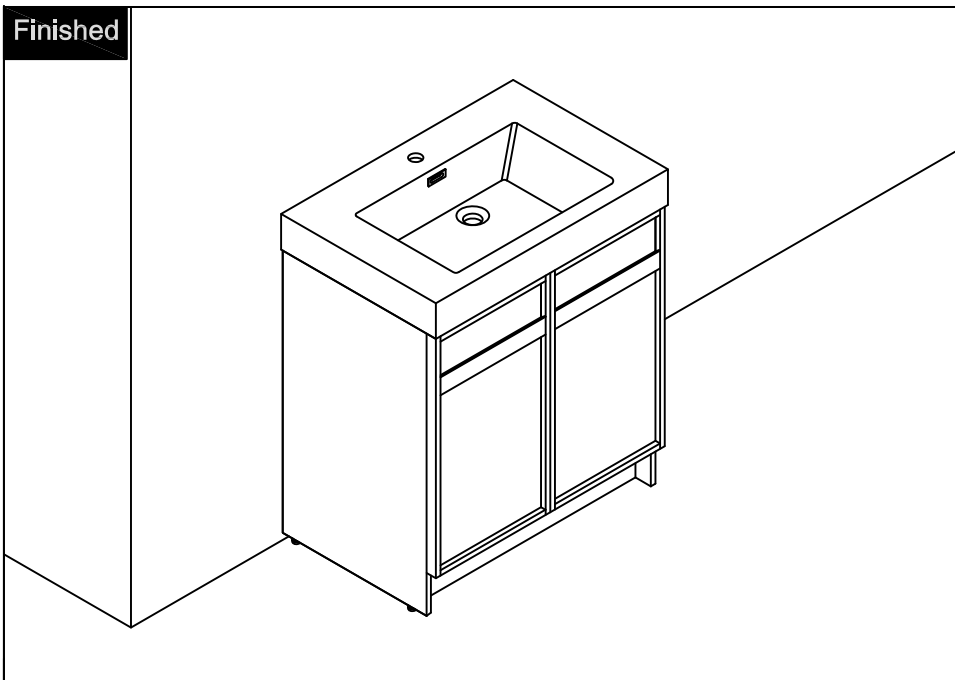
### Step 13



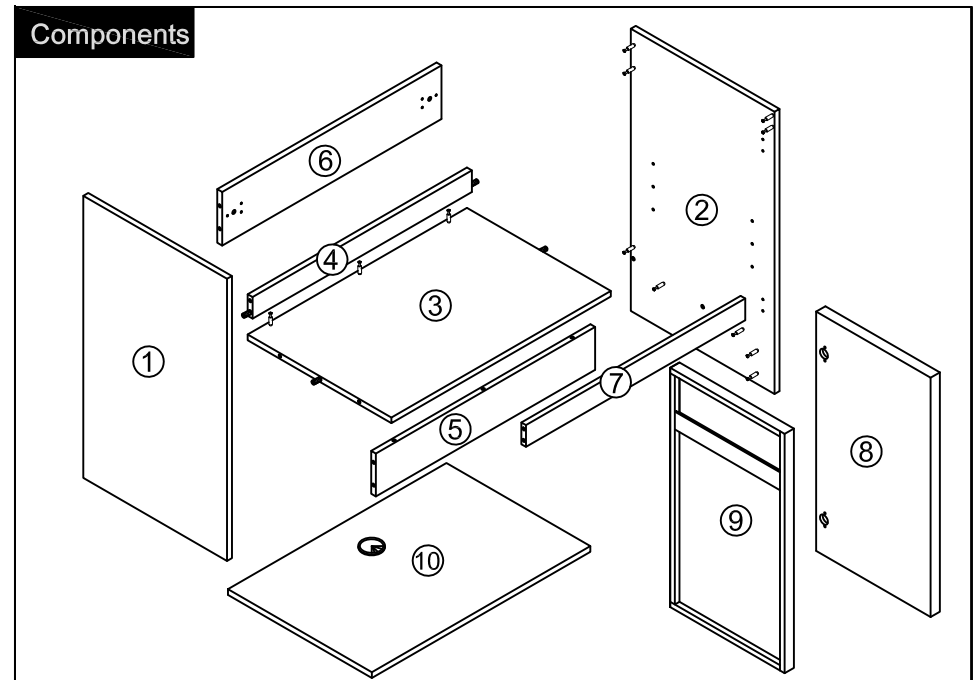
### Dimensions



### Finished



### Components



### Step 1

	x3
B	
	x3
C	
M	

Notes: Screw installation depth as shown

Attention: Cam lock arrow point to the steel rod.

### Step 2

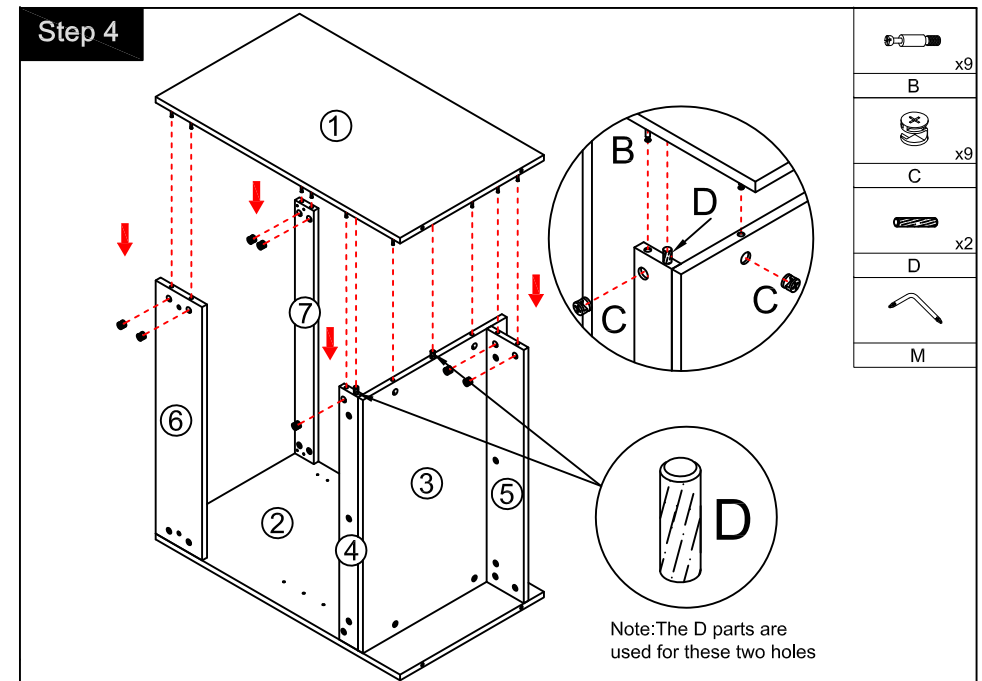
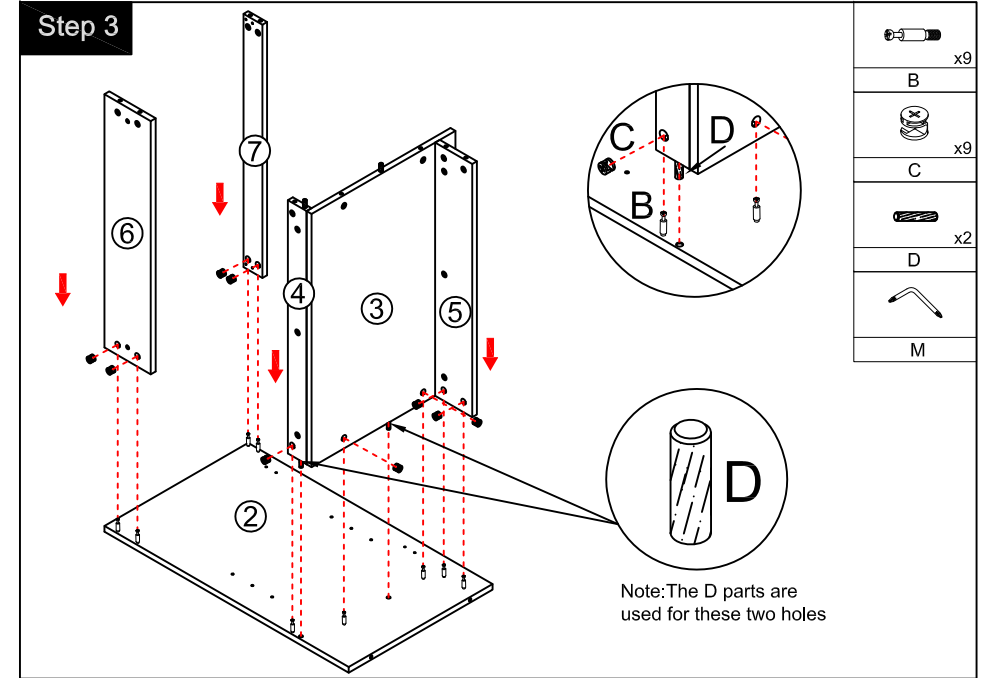
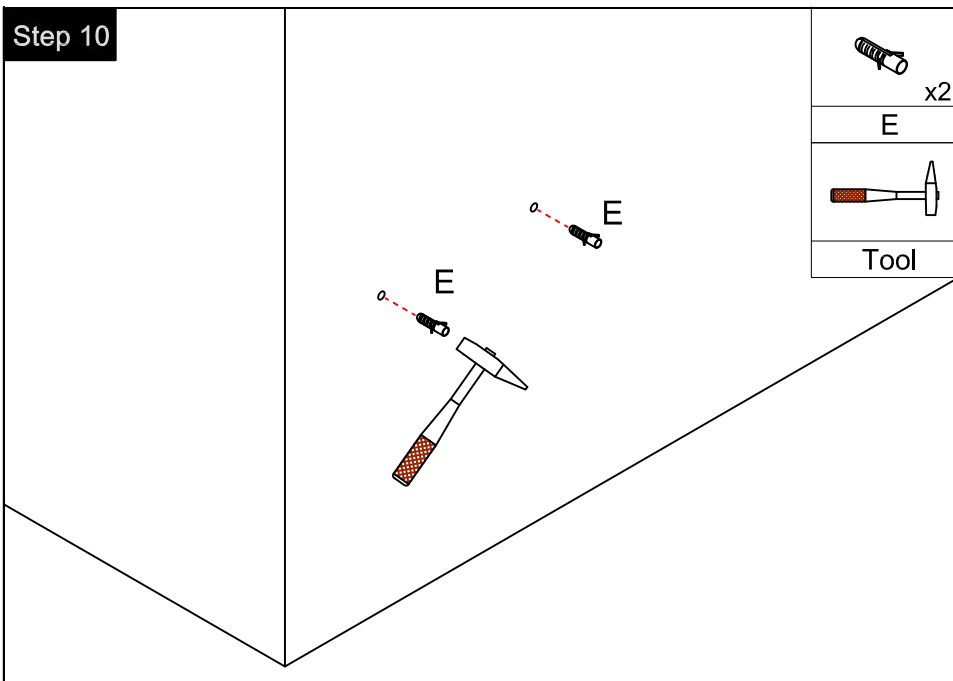
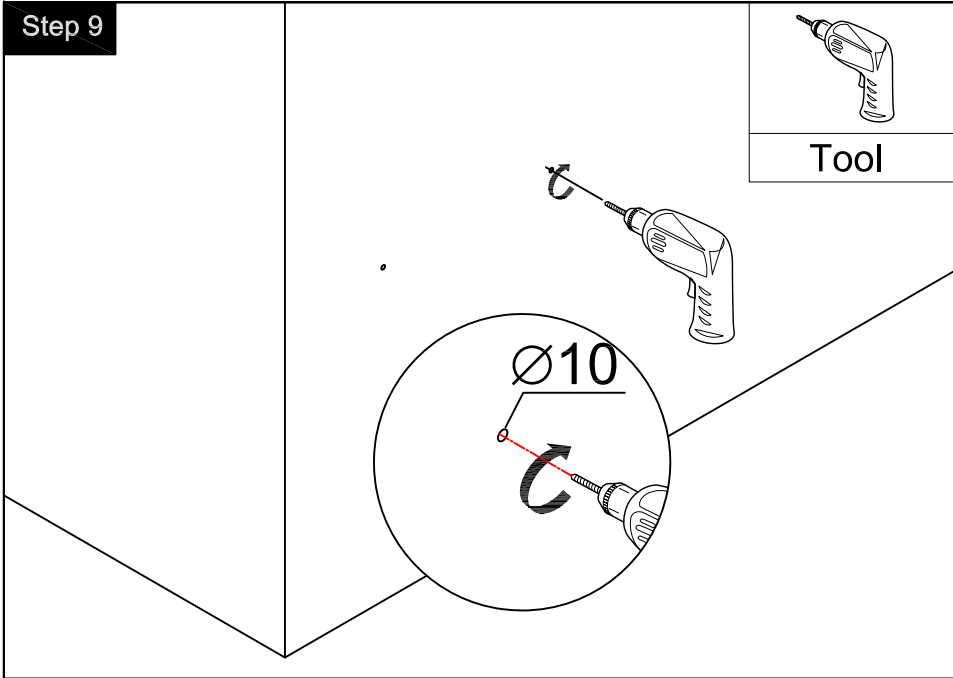
	x3
B	
	x3
C	
M	

first step    second step    third step

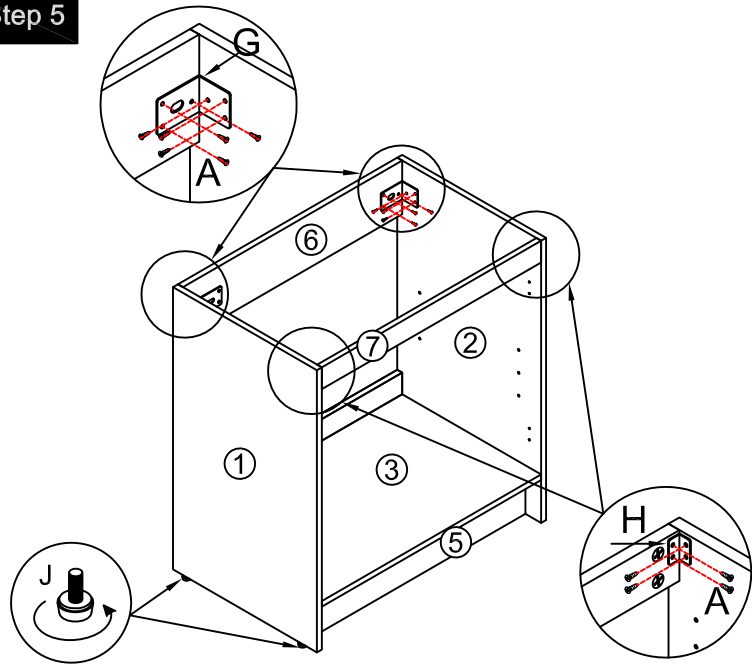
### Step 11






	x2
F	
Tool	

### Step 12

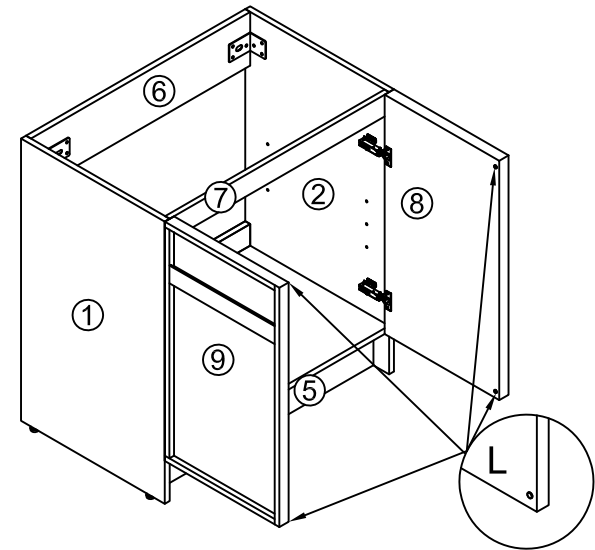



Step 5



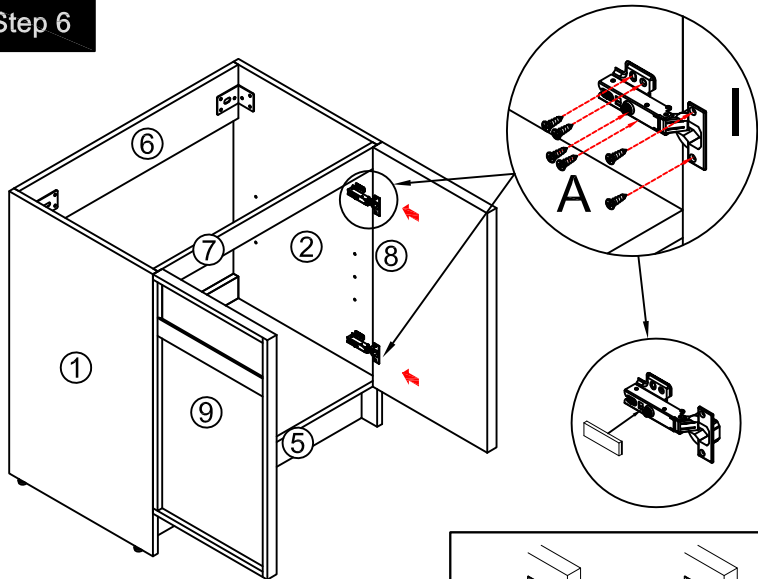
-  x2
- G
-  x2
- H
- (∅4 x 14mm)
-  x20
- A
-  x4
- J
- 
- Tool




Step 7



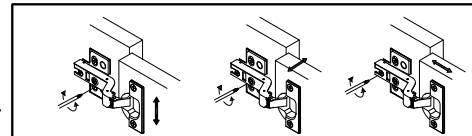
-  x4
- L

Step 6

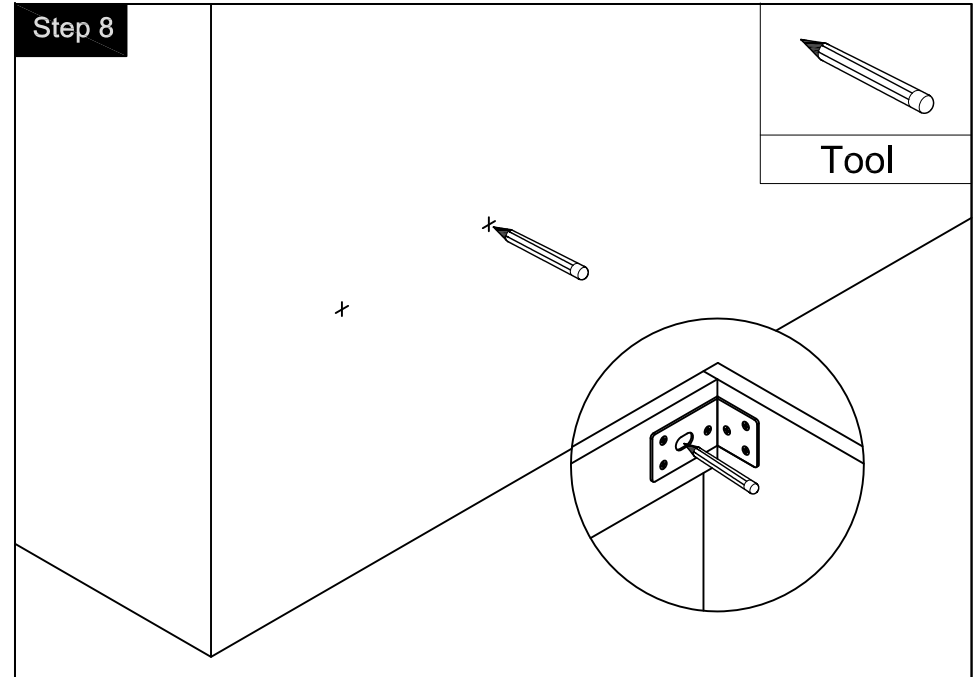



-  x4
- I
- (∅4 x 14mm)
-  x24
- A
- 
- Tool

You can adjust the doors by tightening or loosening the screws on the hinge. →



Step 8



- 
- Tool