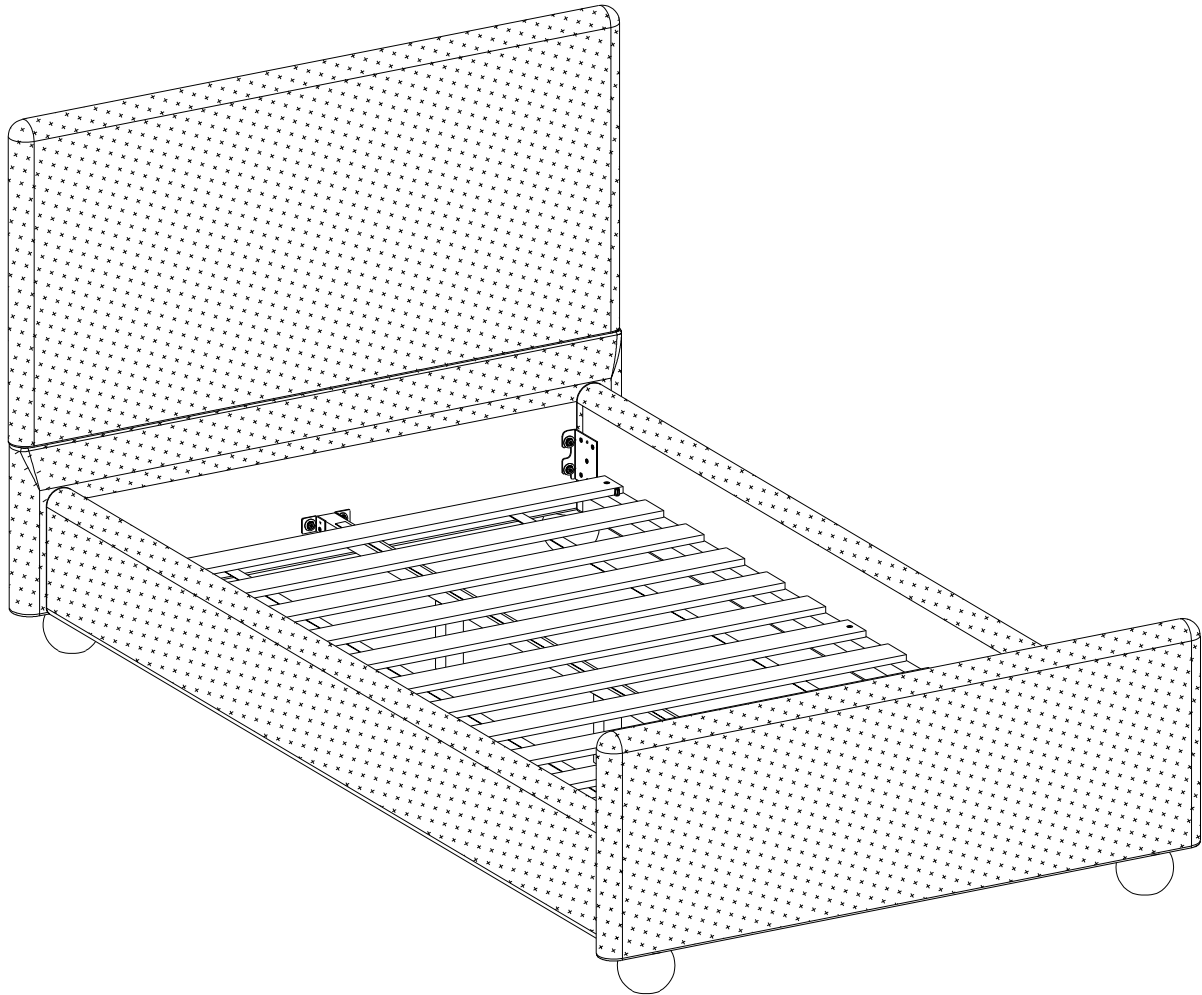


WALKER EDISON

TM

Kids Twin Bed

SKU# WELIN03TB4



For Residential Use Only

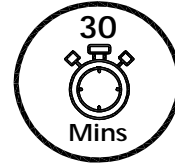
Please visit our website for the most current instructions, assembly tips, report damage, or request parts. www.walkeredison.com



Time to get started

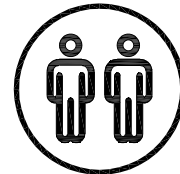
Set up a clean and soft workplace to get started and avoid damage during the assembly. It also helps to double-check that you've got all the pieces and parts before diving in to assembly.

Estimated time for assembly



People recommended for assembly

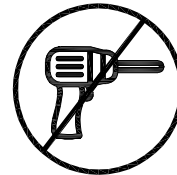
Make it a team effort! Grab a friend for quicker, easier assembly.



2 People Build

Use power tools with caution

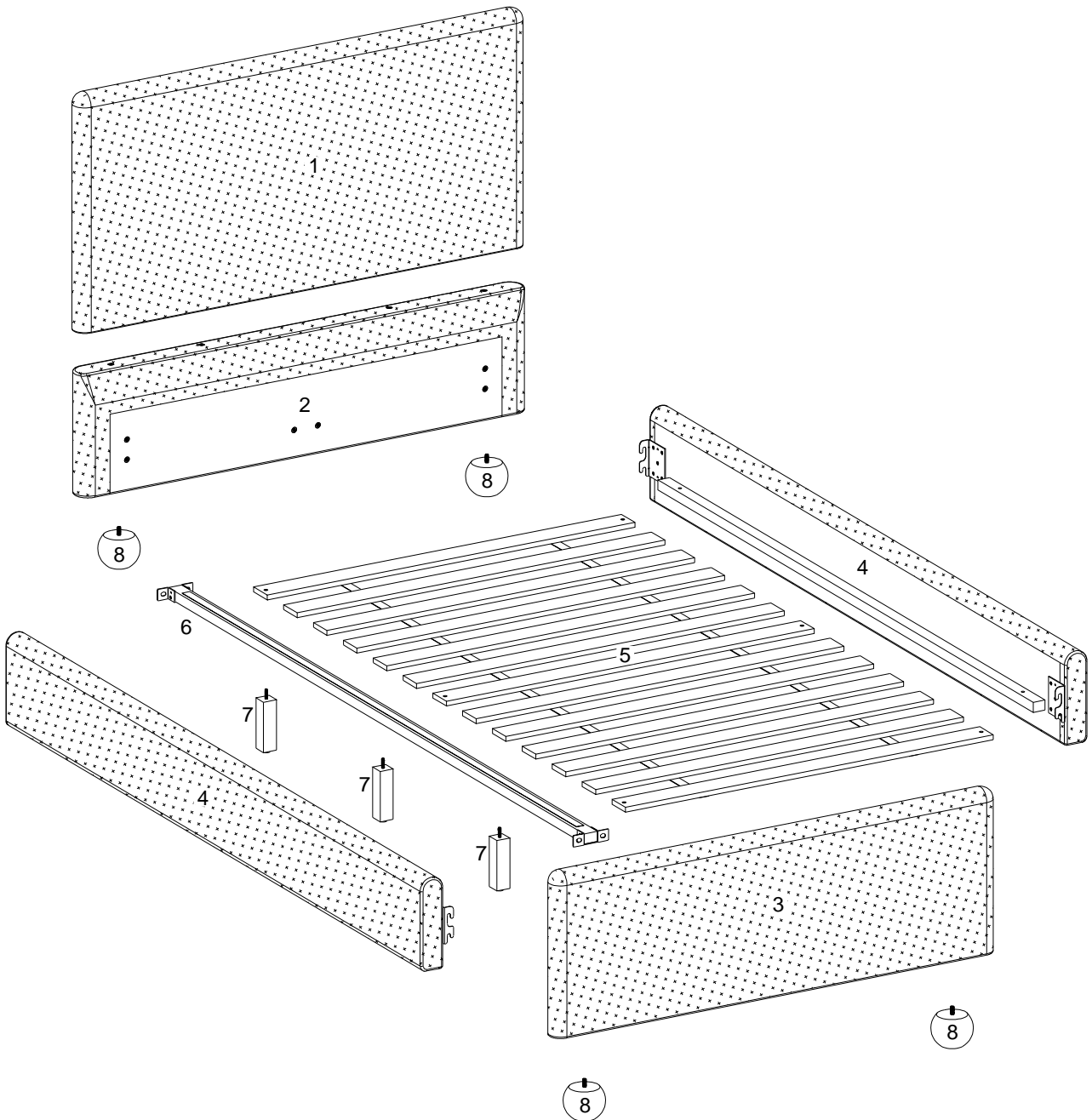
You can cause cracking or damage to the material and easily strip the hardware. If you choose to use a power tool, your product will no longer be covered under Walker Edison's warranty.



Scan to get assembly tips and help!

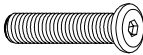
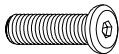






WE Parts List

Part Number	Description	Quantity
1	Upper Headboard	1
2	Lower Headboard	1
3	Footboard	1
4	Side Rails	2
5	Bed Slats	1
6	Center Support Rail	1
7	Middle Support Legs	3
8	Legs	4





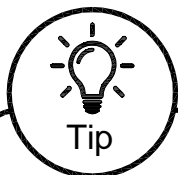
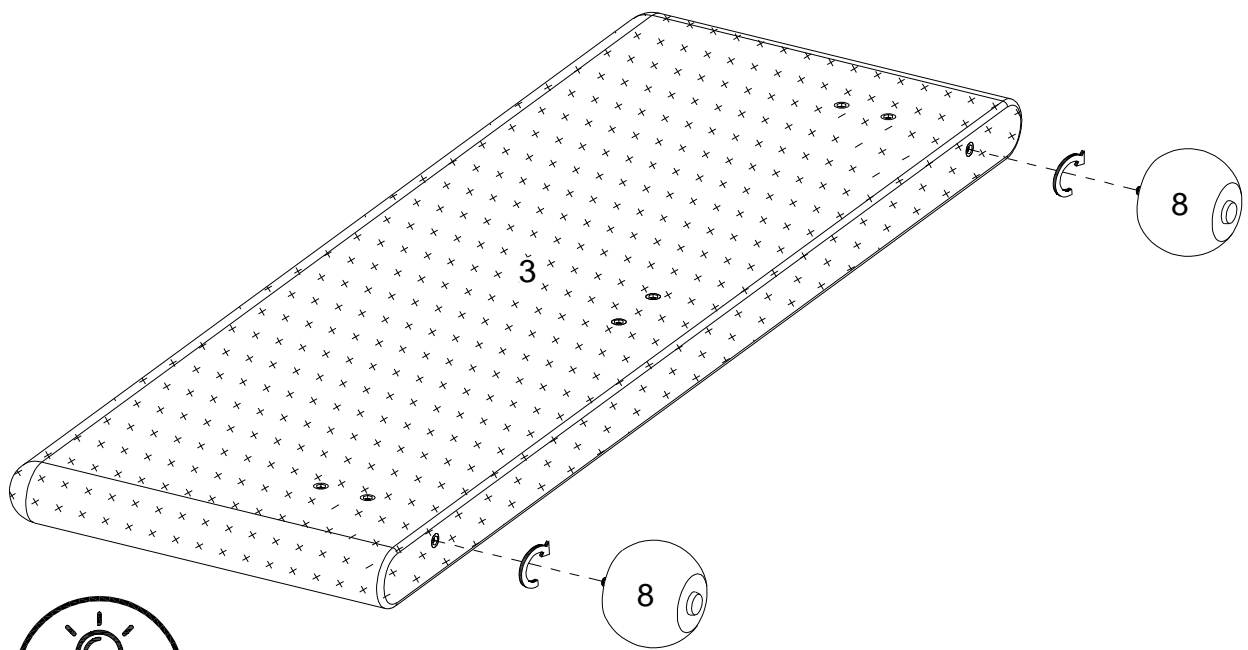
Hardware List

Part	Size	Name	Quantity
A	 5/16"x40mm	Bolt	4
B	 5/16"x30mm	Bolt	12
C	 5/16"x22mm	Washer	16
D	 5/16"x13mm	Spring washer	16
E	 8x30mm	Wooden dowel	4
F	 4x25mm	Screw	6
G	 M5	Hex key	1
H		Screwdriver	1

*The hardware quantities listed above are required for proper assembly.
Extra hardware pieces may be included.*

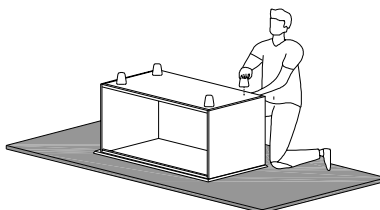
Step 1

Let's get started! Screw the two Legs (8) into the Footboard (3).



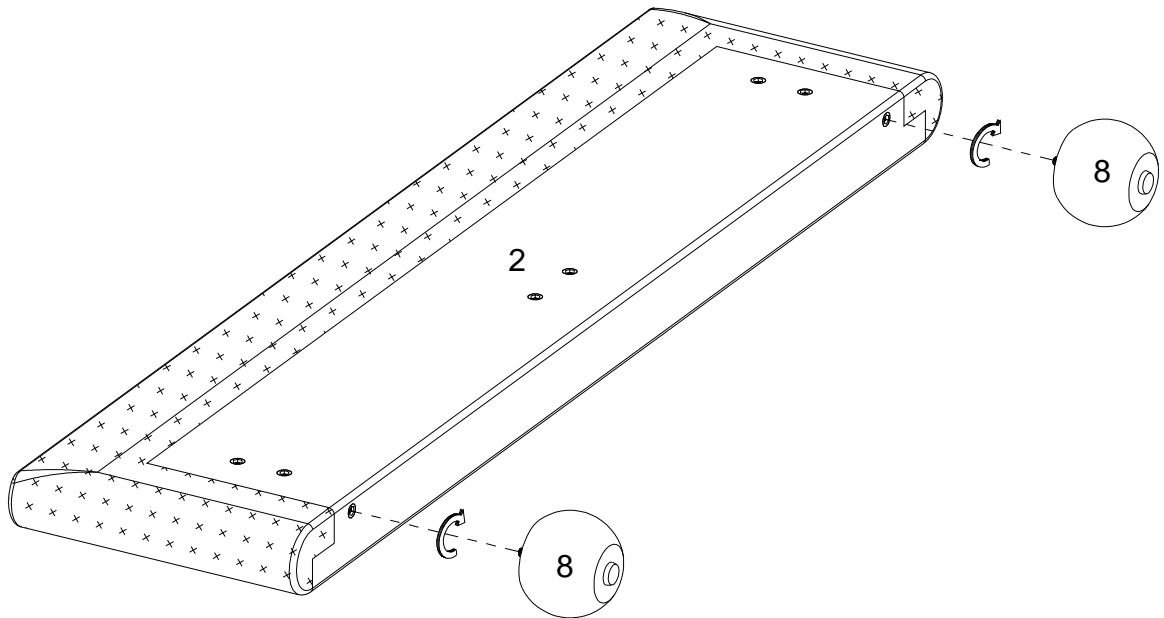
Tip

To keep your product looking its best and scratch-free, try assembling it on a soft surface like carpet or a blanket. This helps prevent any accidental scratches and keeps your furniture in top shape!



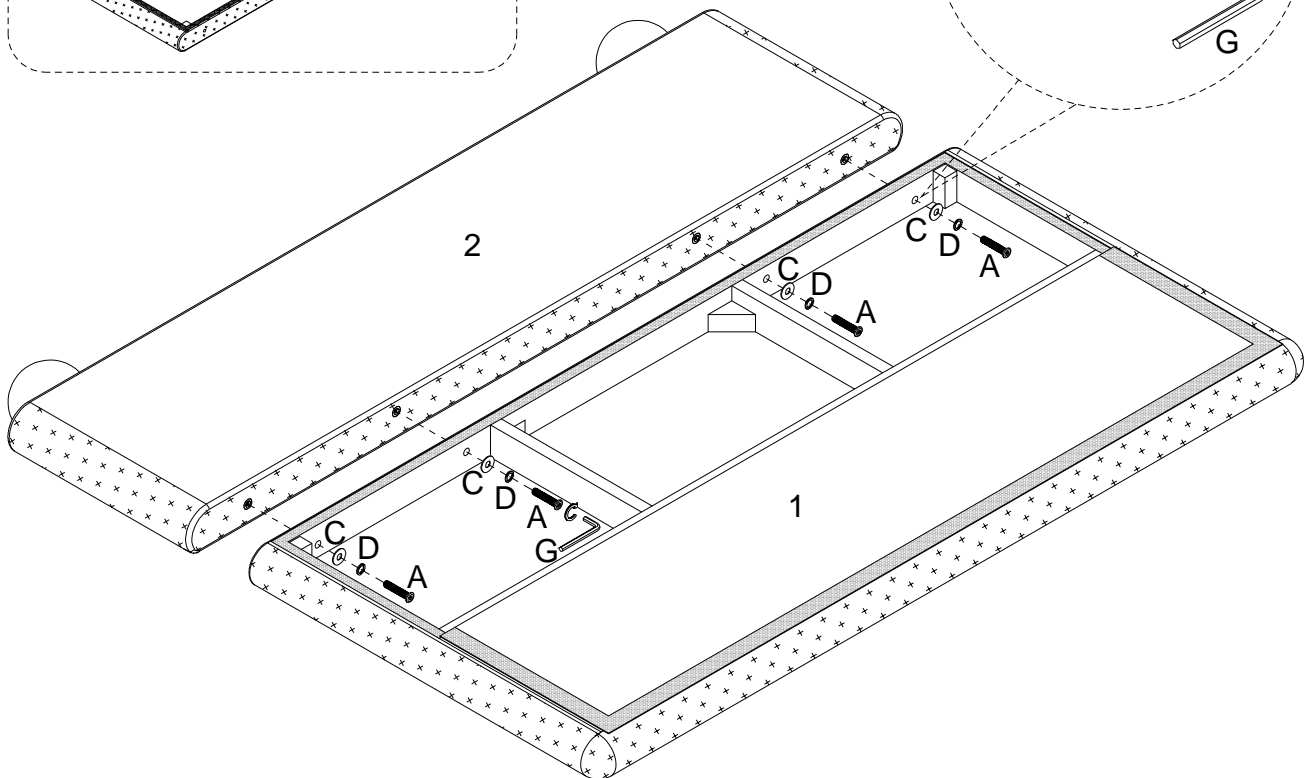
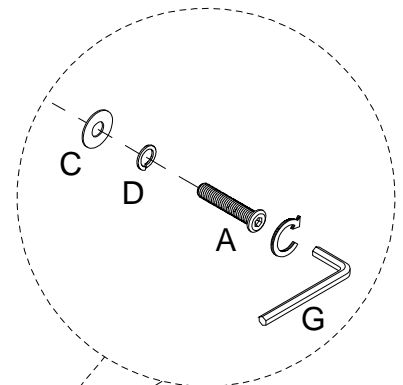
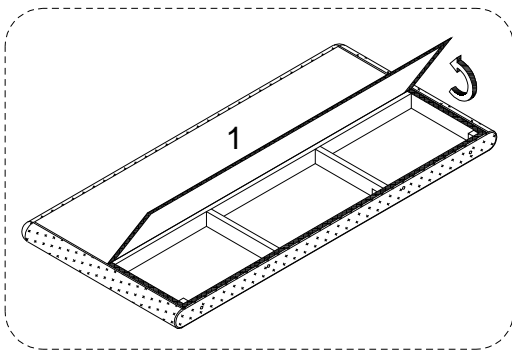
Step 2

Now, screw the remaining two Legs (8) into the Lower Headboard (2).



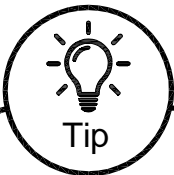
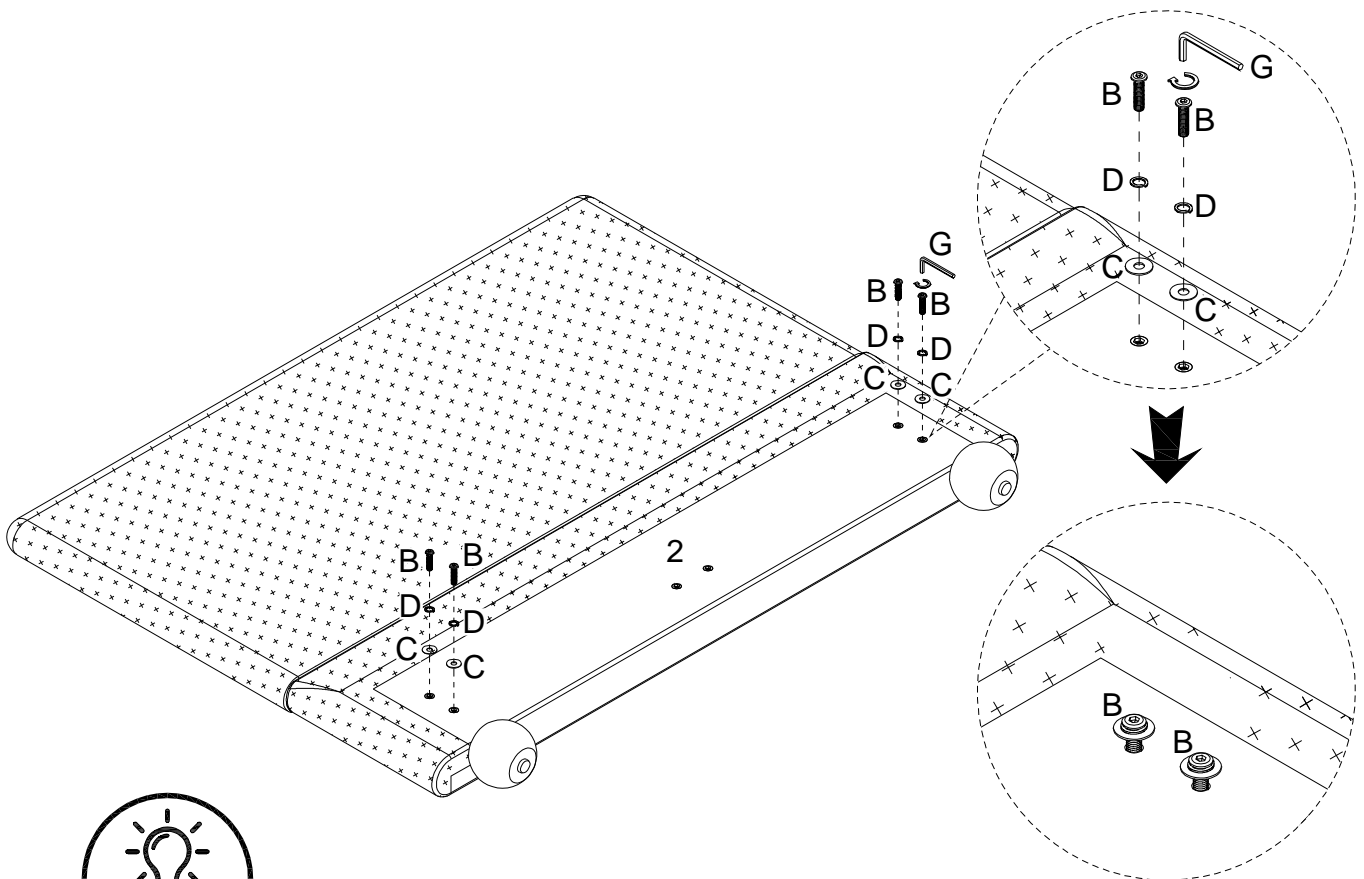
Step 3

Attach the Upper Headboard (1) to the Lower Headboard (2) using the (A) bolt, (D) spring washer, and (C) washer. Secure with the provided hex key (G).



Step 4

Next, secure the (B) bolts, (D) spring washer, and (C) washer to the Lower Headboard (2). Do not tighten the bolts all the way.



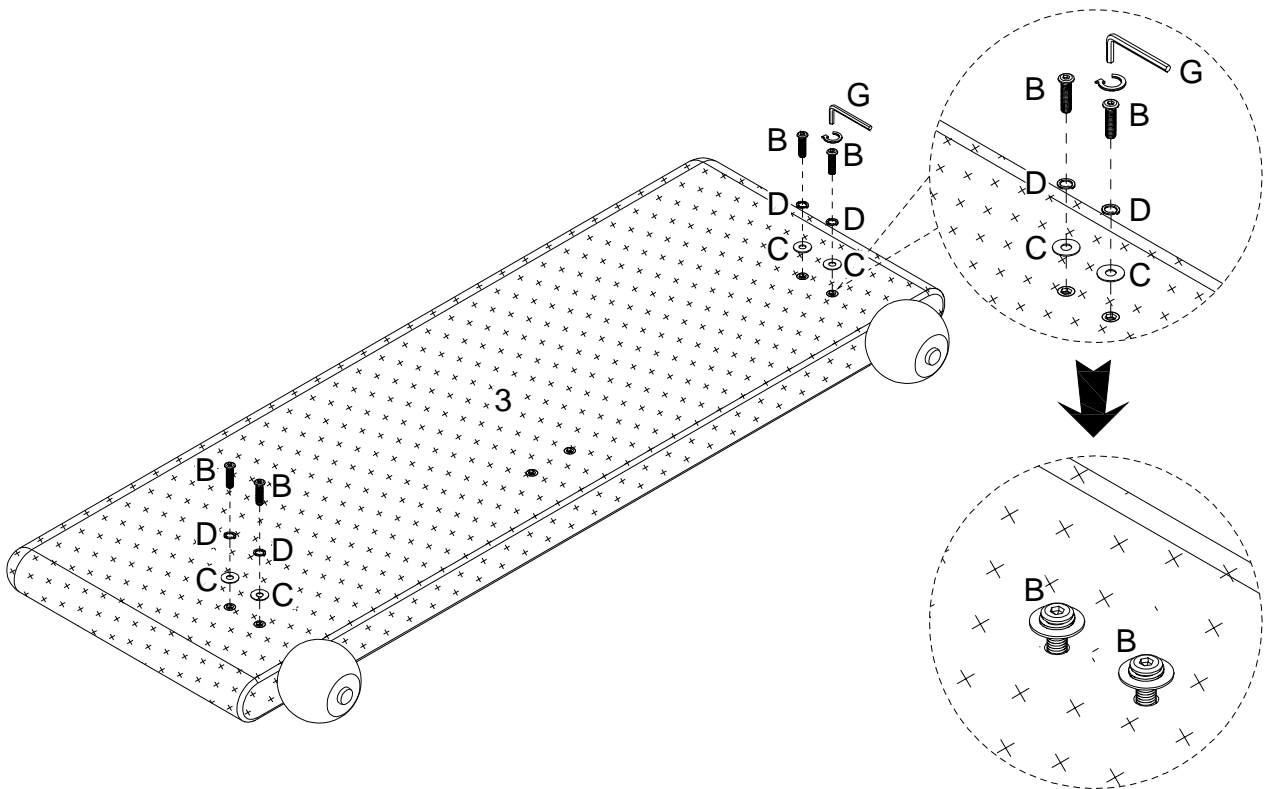
Tip



Do not tighten bolts / screws completely until all bolts / screws are lined up and inserted into holes. Tighten only to 50% for now.

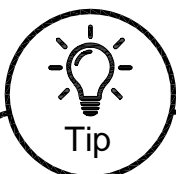
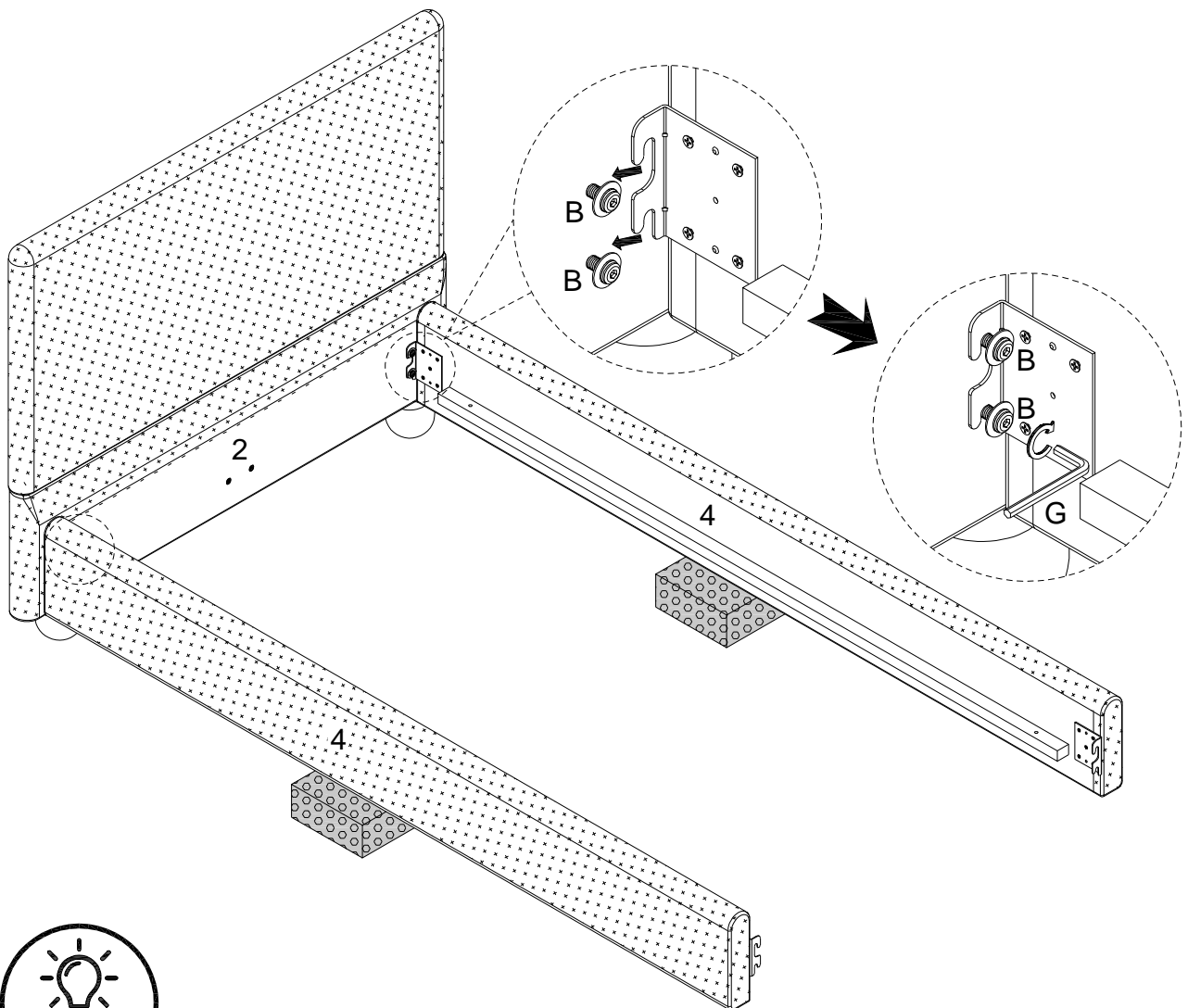
Step 5

Now, the previous step for the Footboard (3). Secure the (B) bolts, (D) spring washer, and (C) washer to the Footboard (3). Do not tighten the bolts all the way.



Step 6

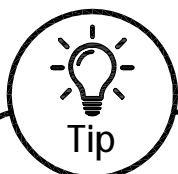
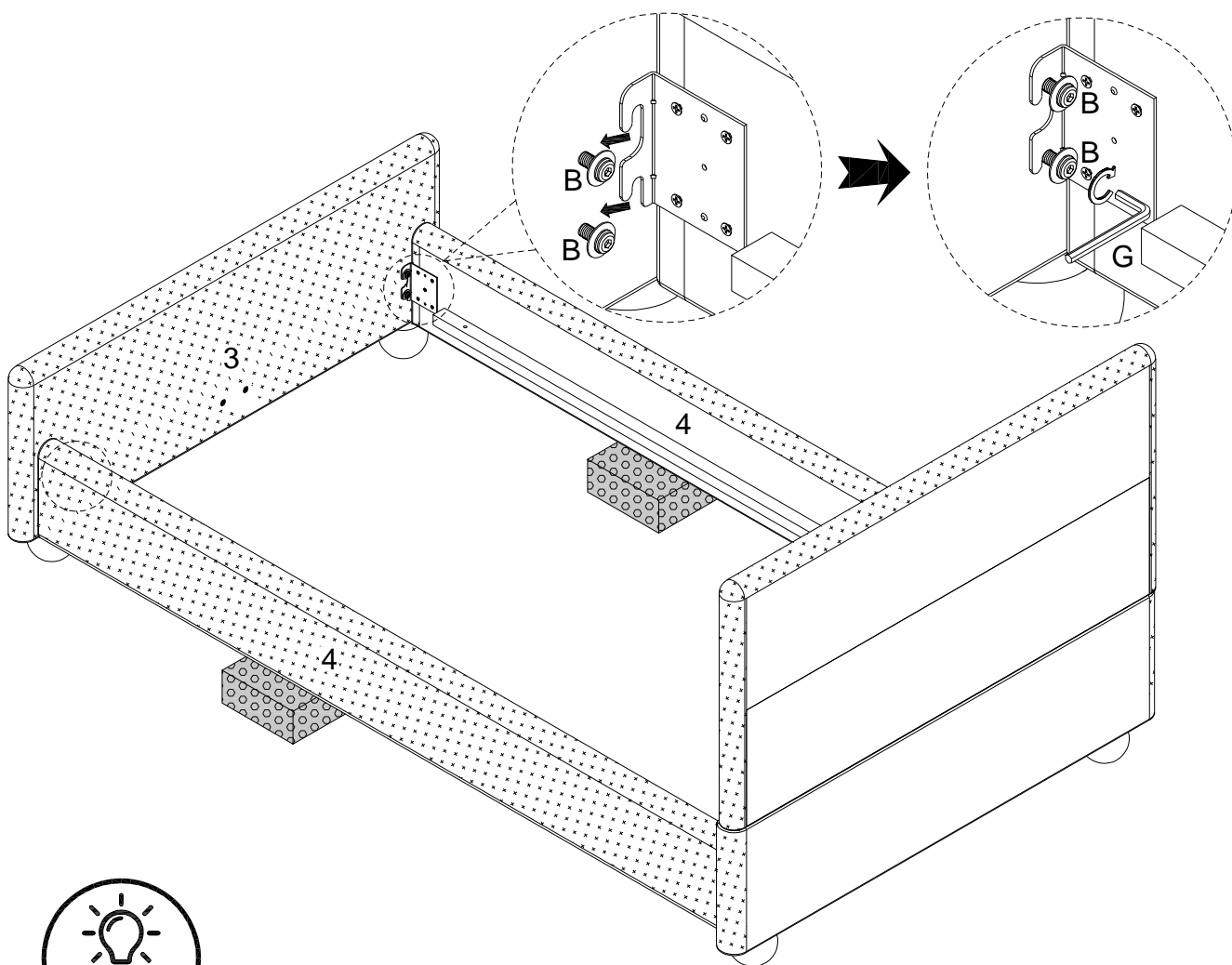
Attach the Side Rails (4) by hooking them onto the bolts on the Lower Headboard (2). Tighten the bolts to approximately 75%.



Do not tighten bolts / screws completely until all bolts / screws are lined up and inserted into holes. Tighten only to 75% for now.

Step 7

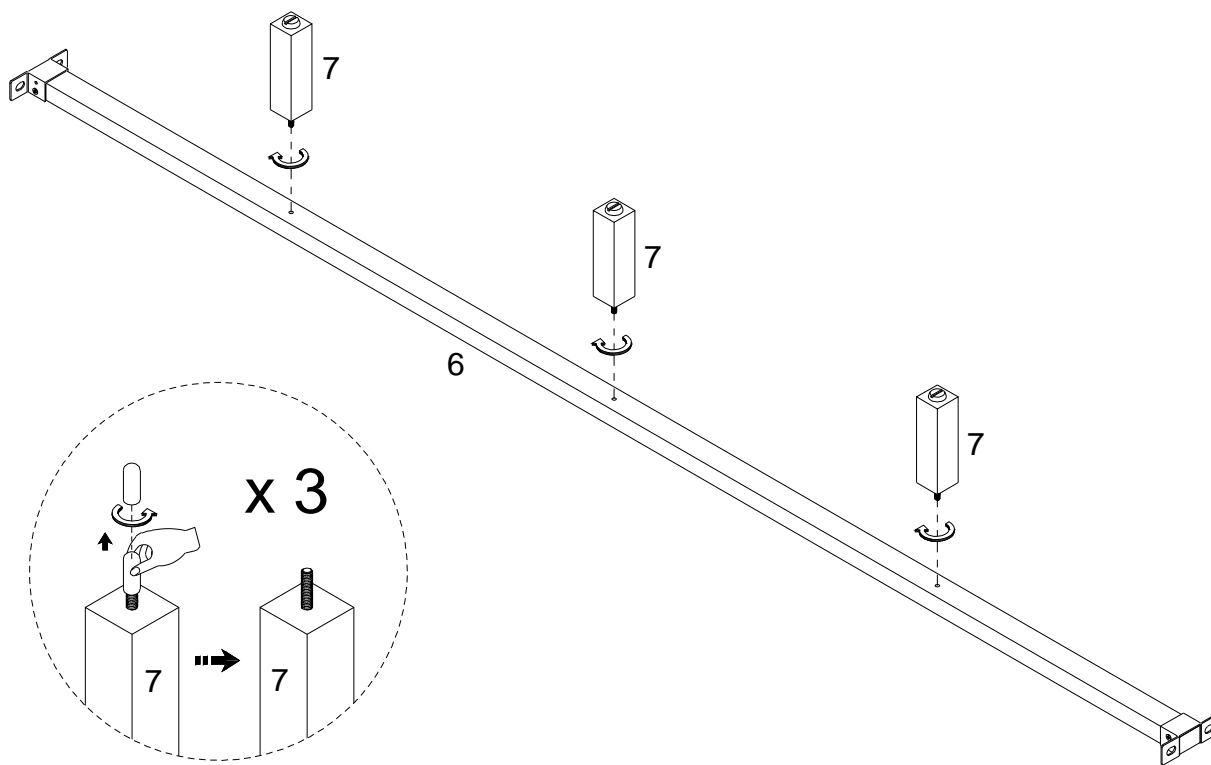
Connect the Footboard (3) by aligning the bolts into the hook hardware on the Side Rails (4). Ensure the headboard posts are resting evenly on the floor, then fully tighten all bolts.



Carefully flip the headboard over on a flat surface and make sure the headboard post are touching the ground evenly before tightening everything to 100%.

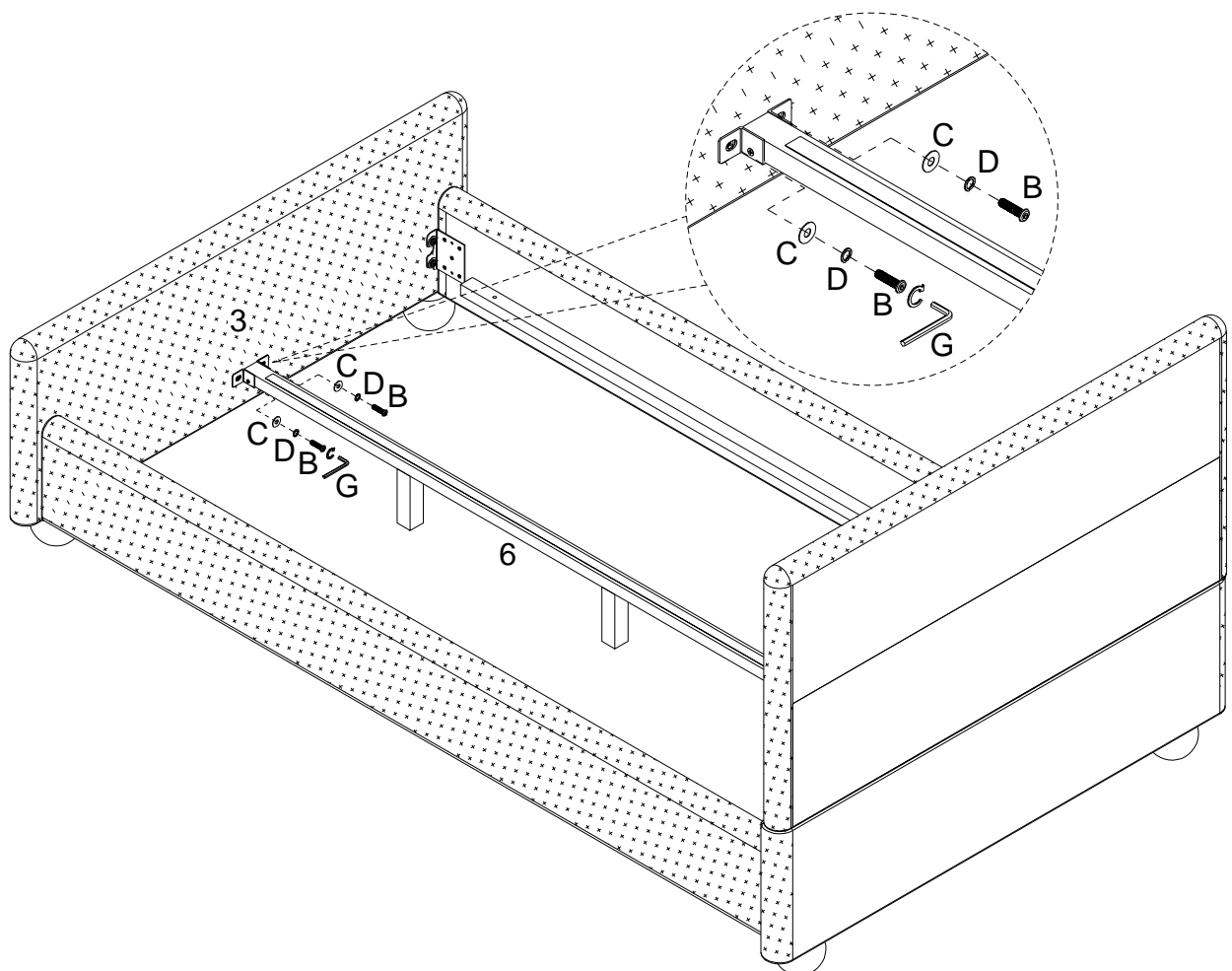
Step 8

Screw all three Middle Support Legs (7) into the Center Support Rail (6).



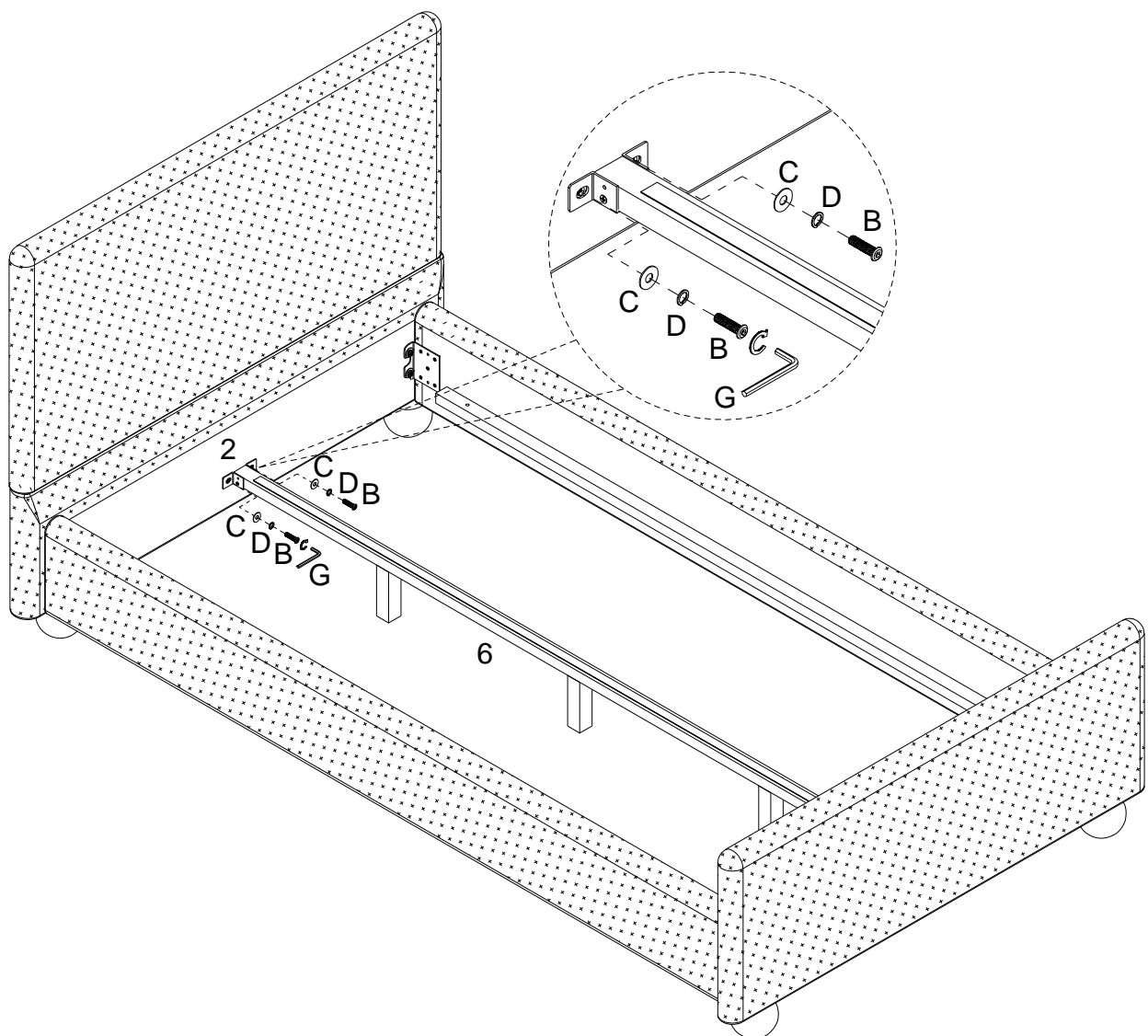
Step 9

Using the (B) bolt, (D) spring washer, and (C) washer, secure the Center Support Rail (6) to the Footboard (3). Tighten with the hex key (G).



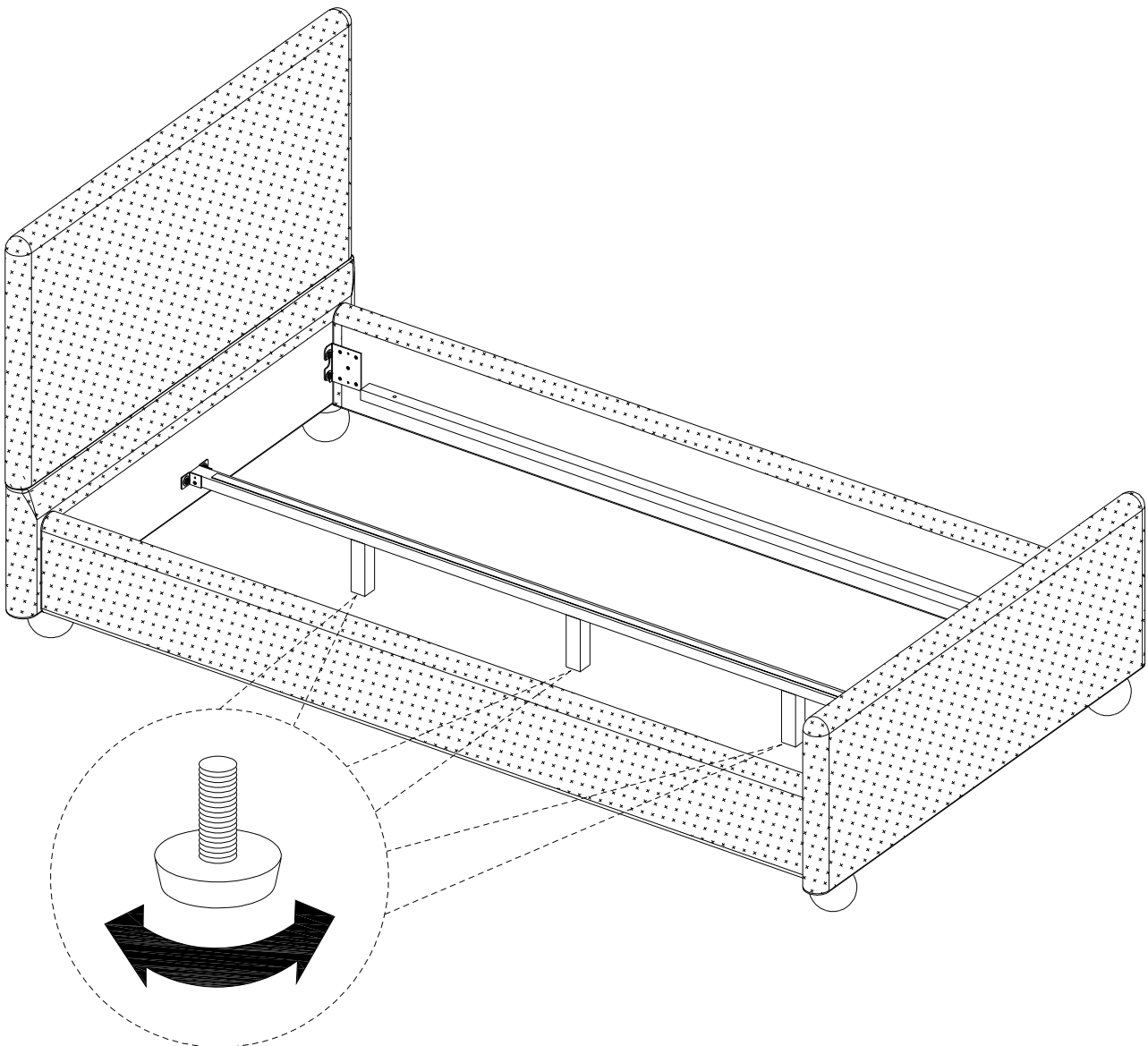
Step 10

Using the (B) bolt, (D) spring washer, and (C) washer, secure the Center Support Rail (6) to the Lower Headboard (2). Tighten with the hex key (G).



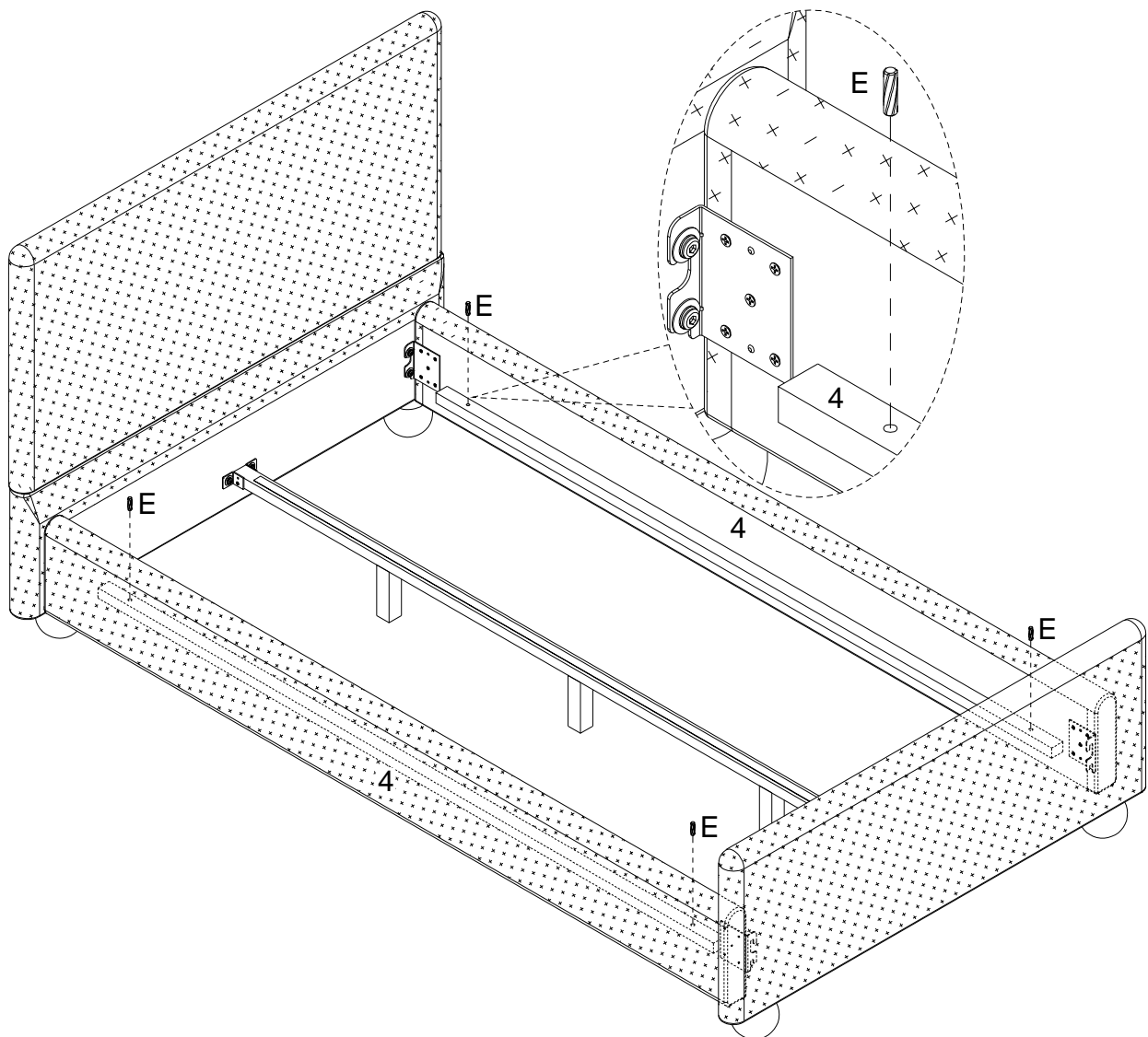
Step 11

Twist the adjustable feet on the bottom of the Middle Support Legs (7) to ensure that the bed sits level.



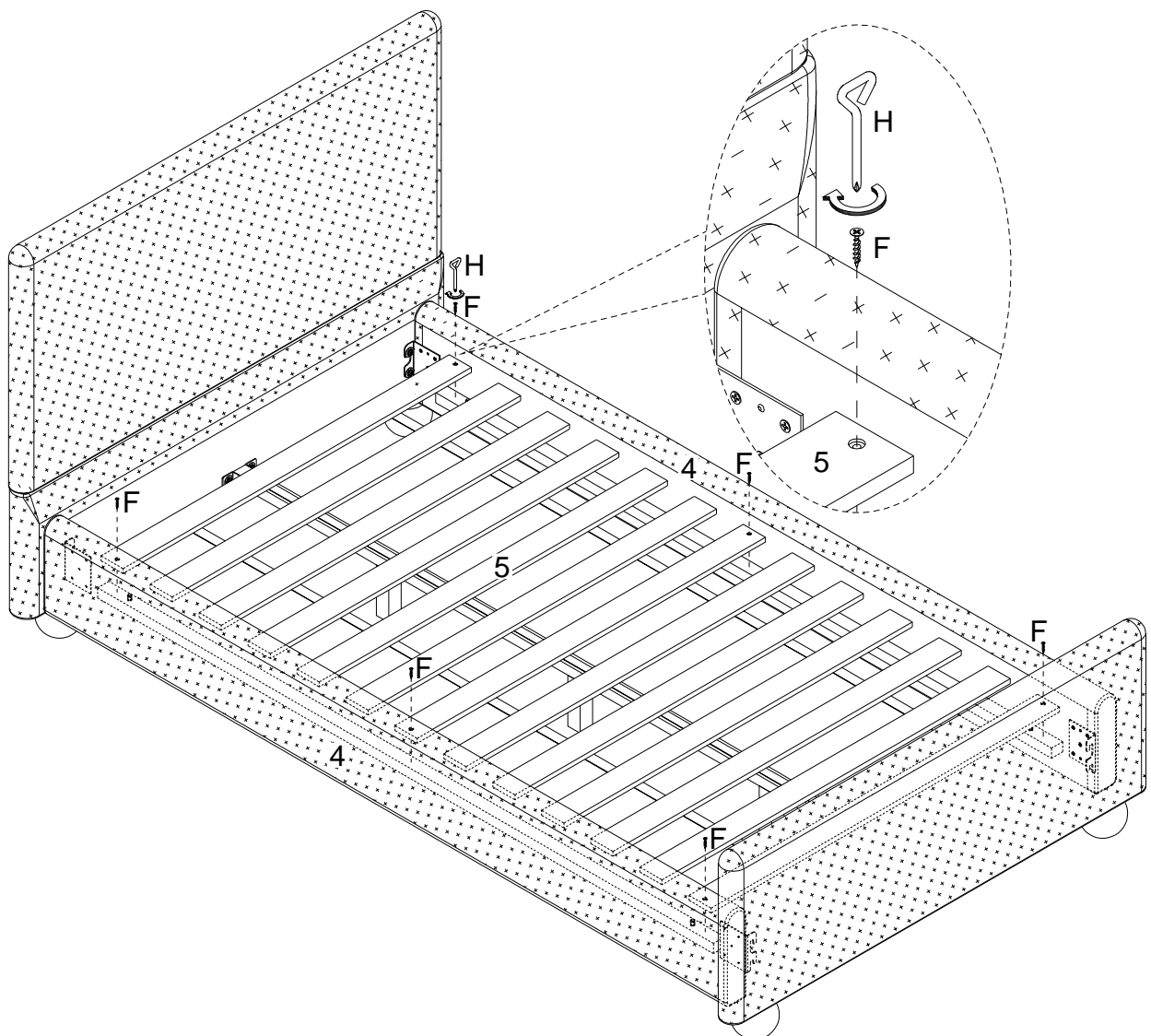
Step 12

Insert wooden dowels (E) into both ends of each Side Rail (4).

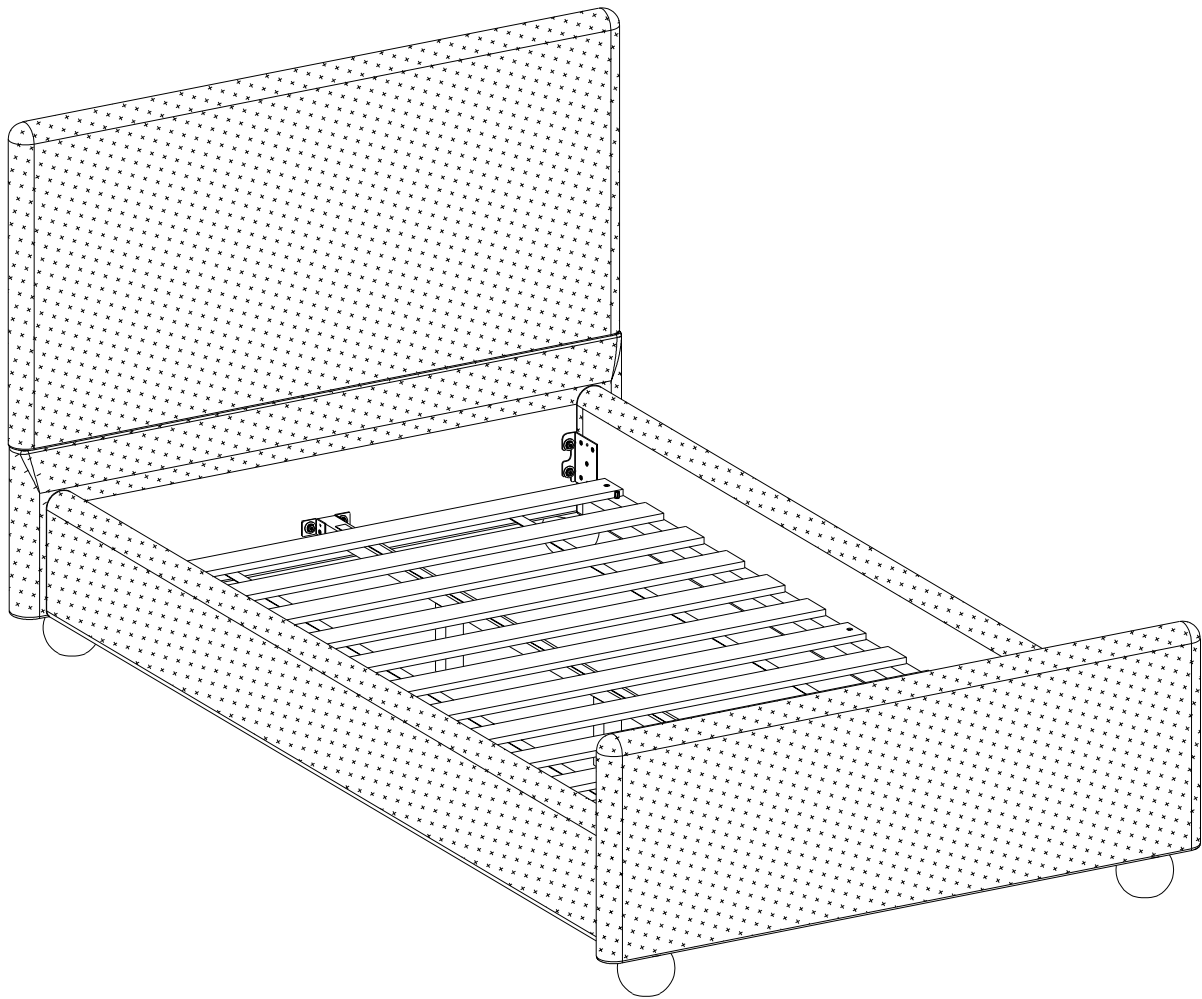


Step 13

Now, secure the Bed Slats (5) to the Side Rails (4) using the (F) screws and the provided screwdriver (H).



Final Assembly



Congratulations on your new piece of furniture!

We would love to hear about it and see it.
Please leave us a review or post a picture with
[#mywalkerredisonhome](#)

Assembling furniture can be tricky sometimes.

Our customer service team, located in Utah, is here for product information, help assembling a product, or for any other customer support issue

Call us at **801-433-3008**

Email us at service@walkeredison.com

Visit our Customer Service website at walkeredison.com/pages/customer-service

We are available to help Monday -Thursday 8am-5pm, Friday 8am-3pm MST

For details on Assembly Videos, Assembly Instructions, Replacement Parts, and Customer service,
SCAN HERE

