

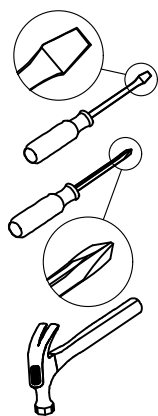
READ AND SAVE THIS INSTRUCTIONS FOR USE

AMG005155-US

ASSEMBLY & INSTRUCTION MANUAL

MADE IN CHINA

Before You Start

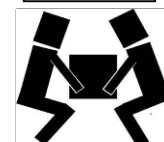
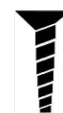


- ✓ Read through each step carefully and follow the proper order
- ✓ Separate and count all your parts and hardware
- ✓ Give yourself enough room for the assembly process
- ✓ Have the following tools: Flat Head Screwdriver, #2 Phillips Head Screwdriver and Hammer
- ✓ Caution: If using a power drill or power screwdriver for screwing, please be aware of to slow down and stop when screw is tight. Failure to do so may result in stripping the screw. (Assembly speed can be increased by using electric screwdriver)

Helpful Hints

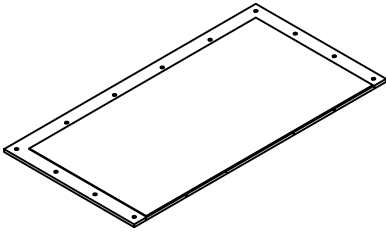
PEOPLE NEEDED FOR ASSEMBLY: 1-2

- Open your item in the area you plan to keep it to avoid excessive heavy lifting.
- Identify, sort and count the parts before attempting assembly.
- Compression dowels are lightly tapped in with a hammer.
- Slides are labeled with an **R** (right) and **L** (left) for proper placement.
- Make sure to always face the point on the top of the Cam Lock towards the outer edge.
- If there is a back panel in the package, please install it to make sure your unit is complete and sturdy.
- Please fix all the screws provided for the back panel which can enhance product stability. If it is difficult to fix it when tightening, it can be fixed with the help of a hammer and then tightened.
- Do NOT use harsh chemicals or abrasive cleaners on this item.
- Never push, pull, or drag your furniture.



Board Identification

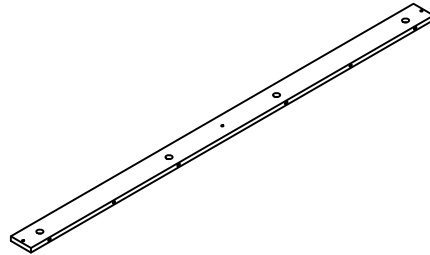
Not actual size



(A)

DRESSING MIRROR

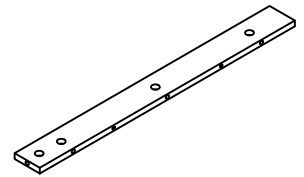
Qty:1



(B)

TOP PANEL

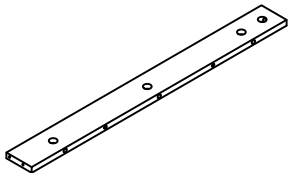
Qty:1



(C)

UPPER LEFT SIDE PANEL

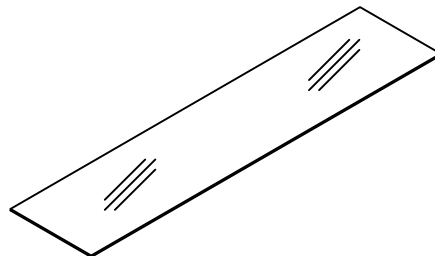
Qty:2



(D)

UPPER RIGHT SIDE PANEL

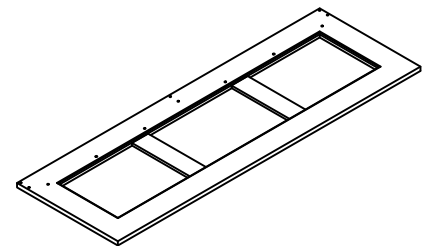
Qty:1



(E)

TOUGHENED GLASS

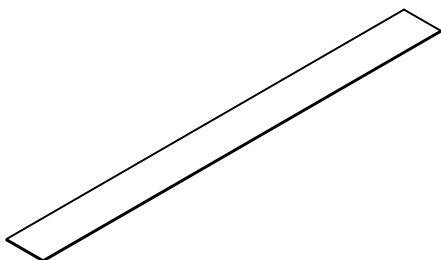
Qty:1



(F)

FRONT PANEL

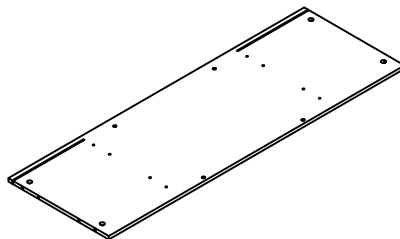
Qty:1



(G)

UPPER BACK PANEL

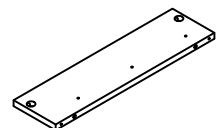
Qty:1



(H)

MIDDLE PANEL

Qty:1



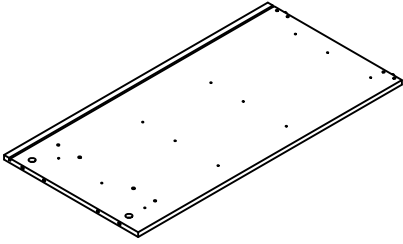
(I)

UPPER PARTITION PANEL

Qty:2

Board Identification

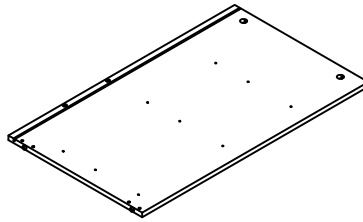
Not actual size



(J)

LOWER LEFT SIDE PANEL

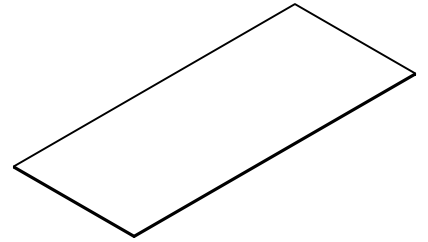
Qty:1



(K)

LOWER LEFT PARTITION

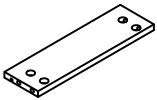
Qty:1



(L)

LOWER LEFT BACK PANEL

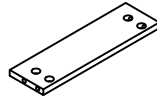
Qty:1



(M)

LOWER BACK SLAT

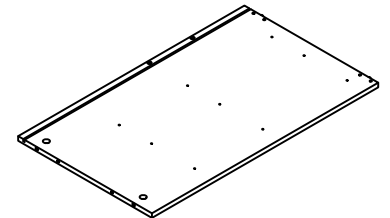
Qty:2



(N)

LOWER FRONT SLAT

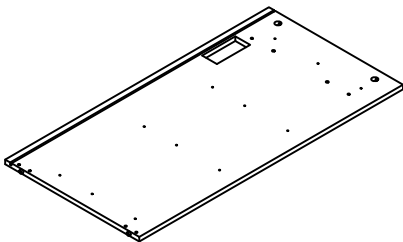
Qty:2



(O)

LOWER RIGHT PARTITION

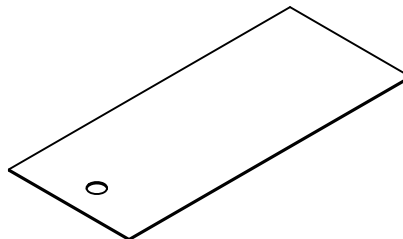
Qty:1



(P)

LOWER RIGHT SIDE PANEL

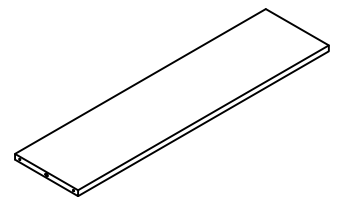
Qty:1



(Q)

LOWER RIGHT BACK PANEL

Qty:1



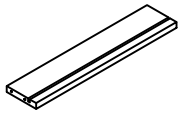
(R)

REAR LOWER PANEL

Qty:1

Board Identification

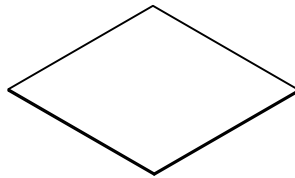
Not actual size



Ⓢ

UPPER DRAWER BACK

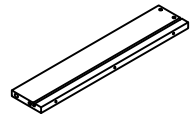
Qty:3



Ⓣ

BIG DRAWER BOTTOM

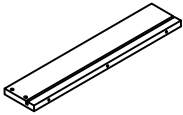
Qty:3



Ⓤ

UPPER DRAWER LEFT

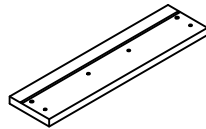
Qty:3



Ⓥ

UPPER DRAWER RIGHT

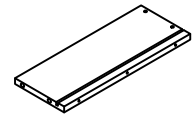
Qty:3



Ⓦ

UPPER DRAWER FRONT

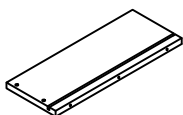
Qty:3



Ⓧ

SMALL DRAWER LEFT

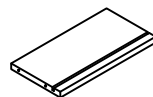
Qty:4



Ⓨ

SMALL DRAWER RIGHT

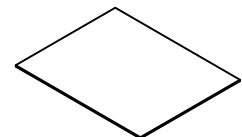
Qty:4



Ⓩ

SMALL DRAWER BACK

Qty:4



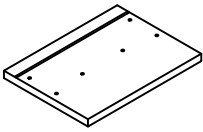
ⓂⓂ

SMALL DRAWER BOTTOM

Qty:6

Board Identification

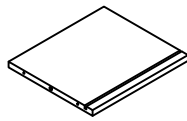
Not actual size



ⓑ

SMALL DRAWER FRONT

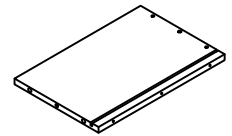
Qty:4



ⓒ

BIG DRAWER BACK

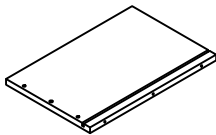
Qty:2



ⓓ

BIG DRAWER LEFT

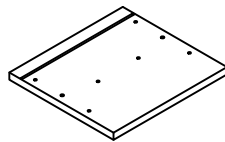
Qty:2



ⓔ

SMALL DRAWER RIGHT

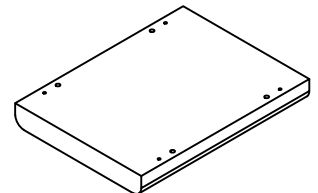
Qty:2



ⓕ

BIG DRAWER FRONT

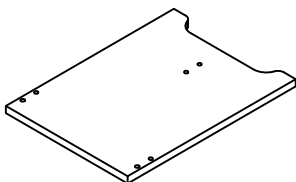
Qty:2



ⓖ

SPONGE CUSHION

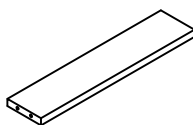
Qty:1



ⓓ

STOOL SIDE PANEL

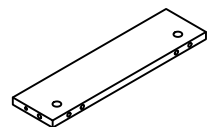
Qty:2



ⓓ

STOOL LOWER SLAT

Qty:1



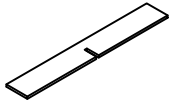
ⓓ

STOOL APRON

Qty:2

Board Identification

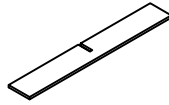
Not actual size



(KK)

SHORT DRAWER CLAPBOARD LONG DRAWER CLAPBOARD

Qty:1

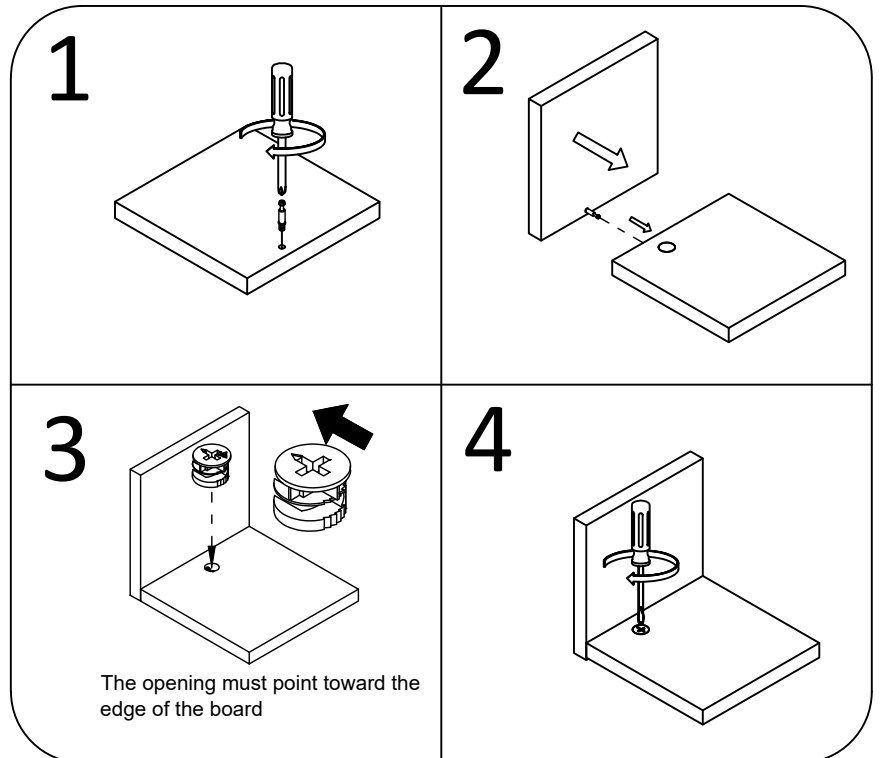


(LL)

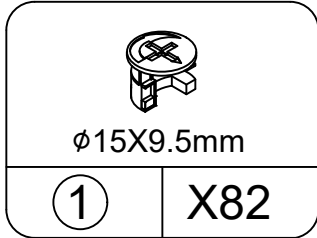
Qty:1

Cam Lock Fastening System

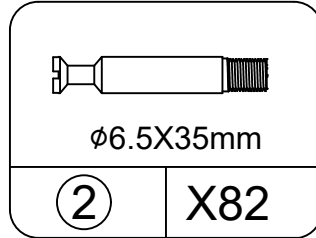
Insert the cam bolt into the hole first, then insert the cam lock and lock it.



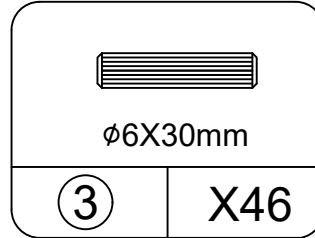
Part List



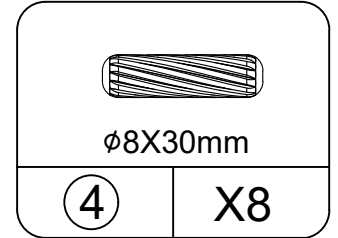
CAM LOCK
spare: 3



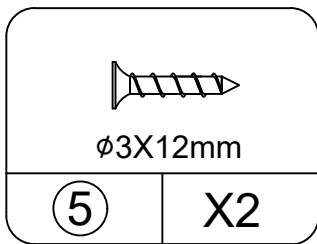
CAM BOLT
spare: 3



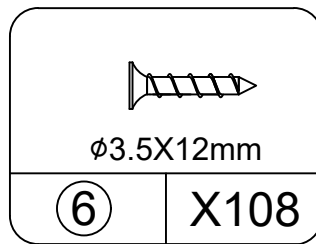
WOOD DOWEL
spare: 3



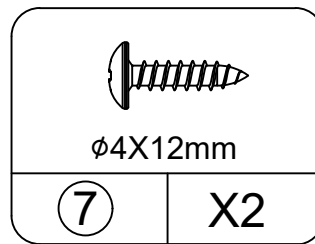
WOOD DOWEL
spare: 2



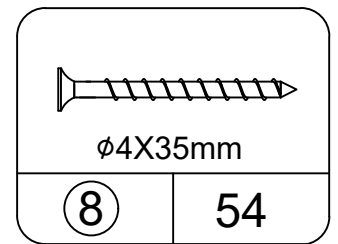
SCREW
spare: 1



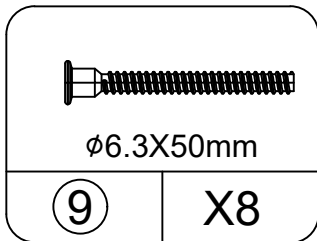
SCREW
spare: 3



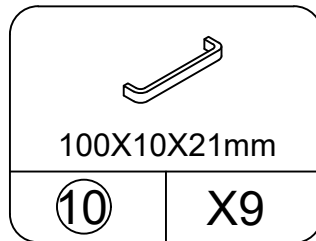
SCREW
spare: 1



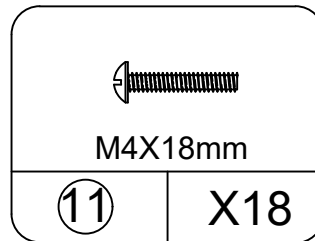
SCREW
spare: 3



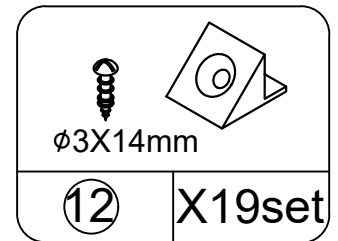
SCREW
spare: 2



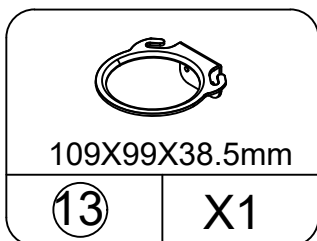
HANDLE



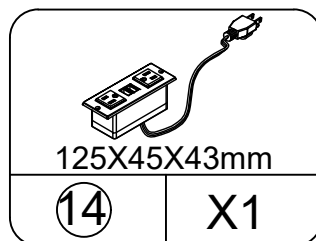
SCREW
spare: 2



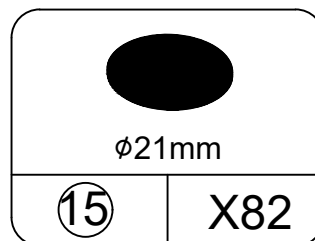
BACK PANEL BUCKLE
spare: 2



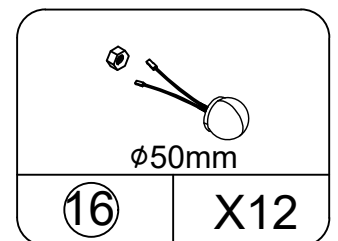
HAIR DRYER RACK



POWER STRIP

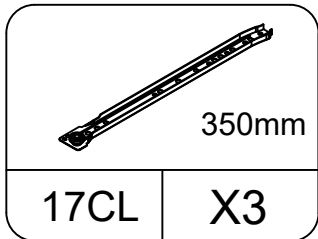


STICKERS FOR
SCREW HOLES
spare: 3

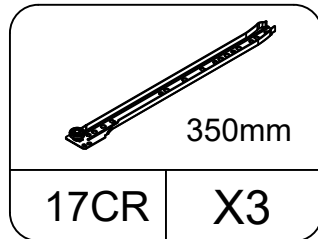


LIGHT BULB

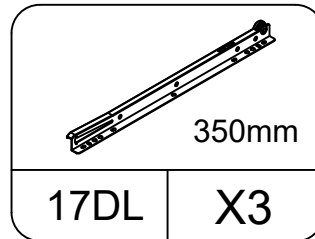
Part List



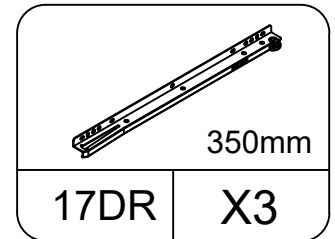
LEFT CABINET MEMBER



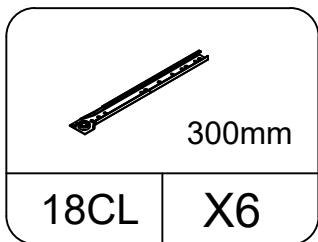
RIGHT CABINET MEMBER



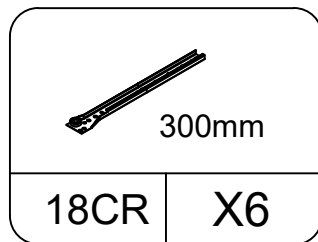
LEFT DRAWER RUNNER



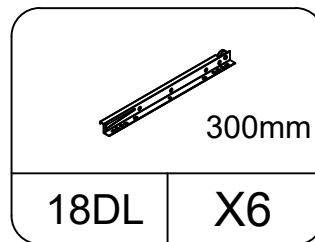
RIGHT DRAWER RUNNER



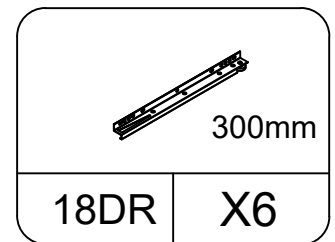
LEFT CABINET MEMBER



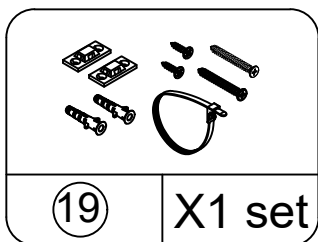
RIGHT CABINET MEMBER



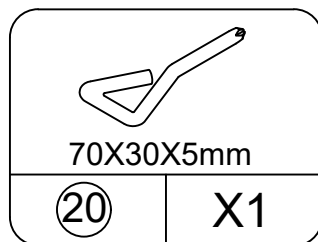
LEFT DRAWER RUNNER



RIGHT DRAWER RUNNER

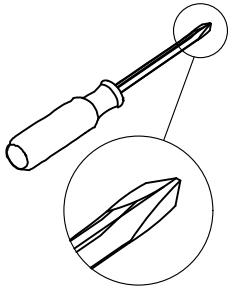



TIPPING RESTRAINT
HARDWARE KIT

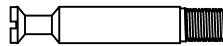



HEX KEY

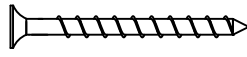
STEP 1




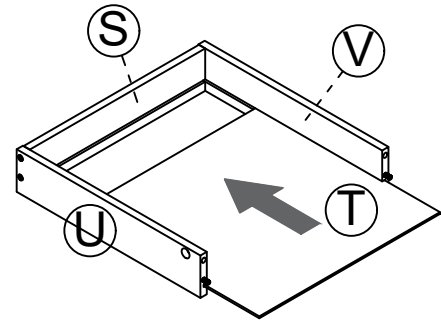
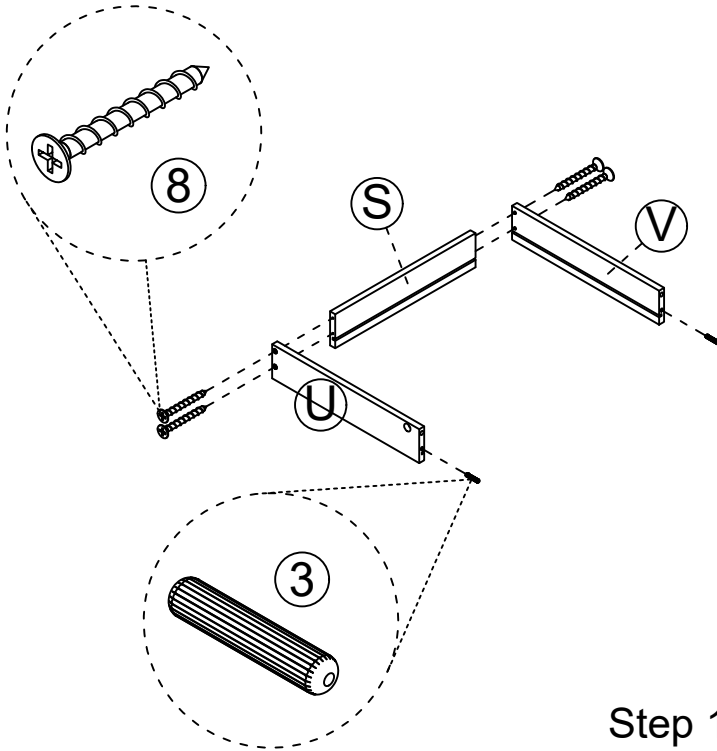
	
φ15X9.5mm	
①	X6

	
φ6.5X35mm	
②	X6

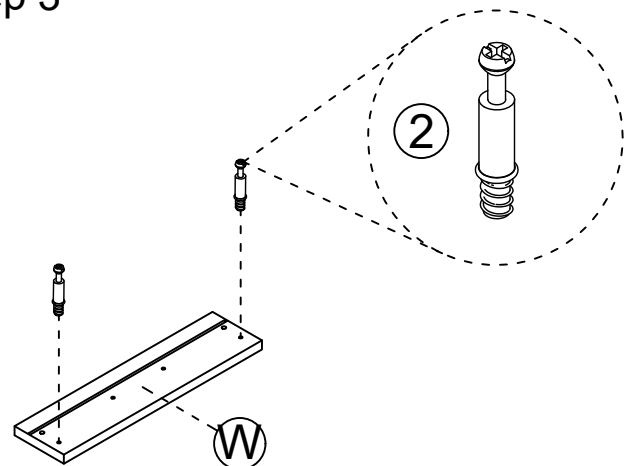
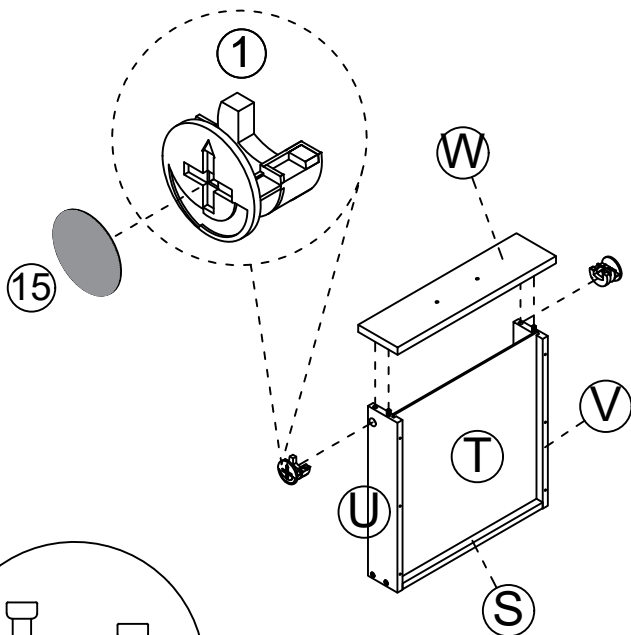
	
φ6X30mm	
③	X6

	
φ4X35mm	
⑧	X12

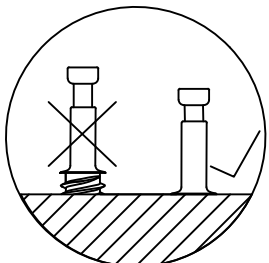
	
φ21mm	
⑮	X6



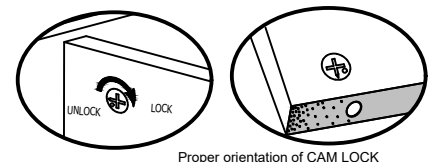
Step 1 Step 2
Step 4 Step 3



Insert the cam bolt into the hole first, then insert the cam lock and lock it.

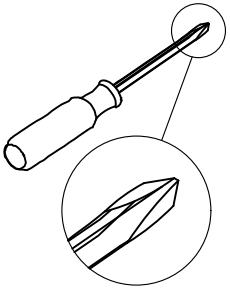


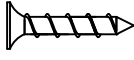
X3

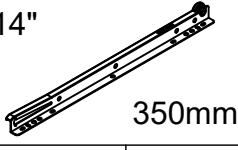


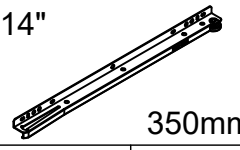
Proper orientation of CAM LOCK

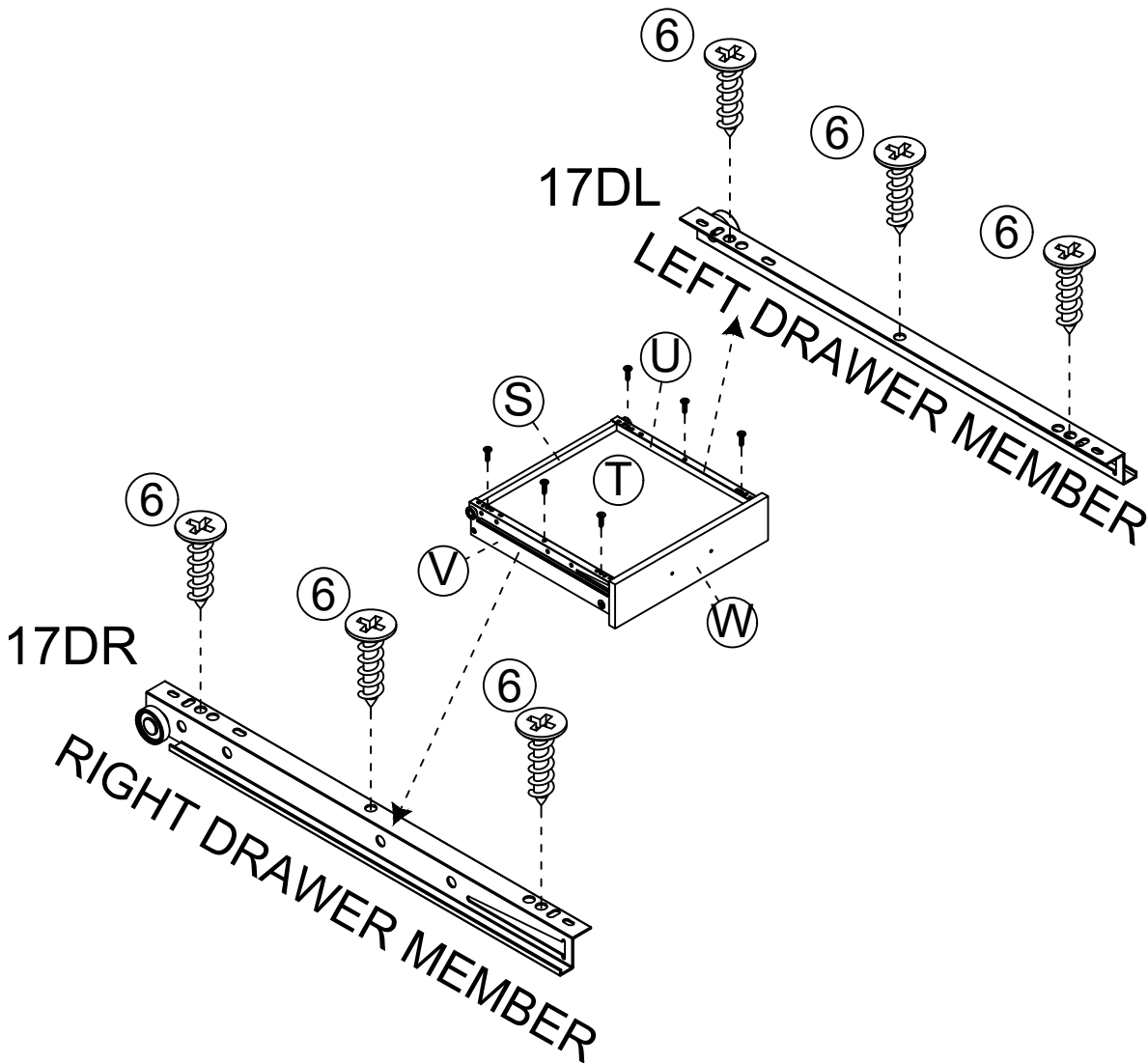
STEP 2



 ø3.5X12mm	
⑥	X18

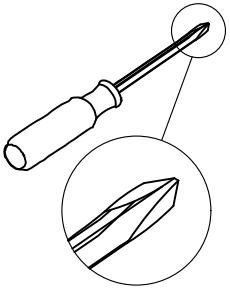
14"  350mm	
17DL	X3


14"  350mm	
17DR	X3

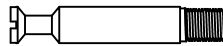


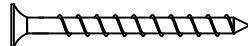
X3


STEP 3

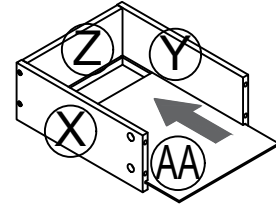
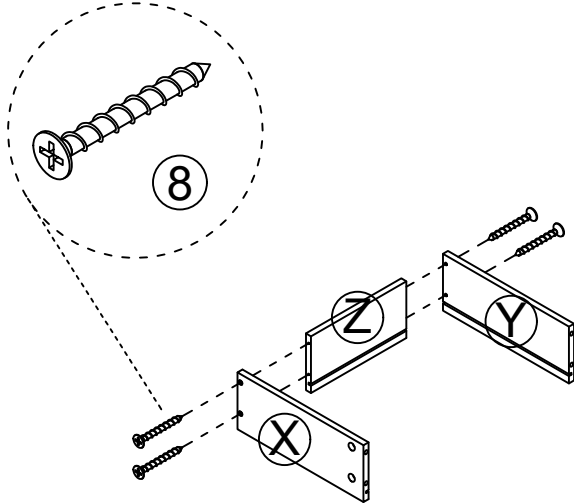


 $\phi 15 \times 9.5 \text{mm}$	
①	X16

 $\phi 6.5 \times 35 \text{mm}$	
②	X16

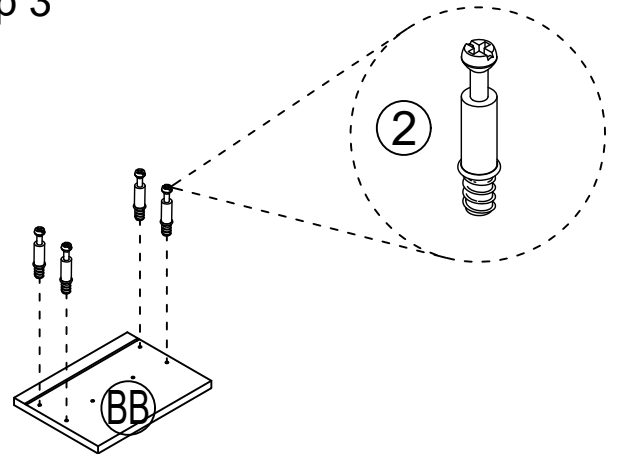
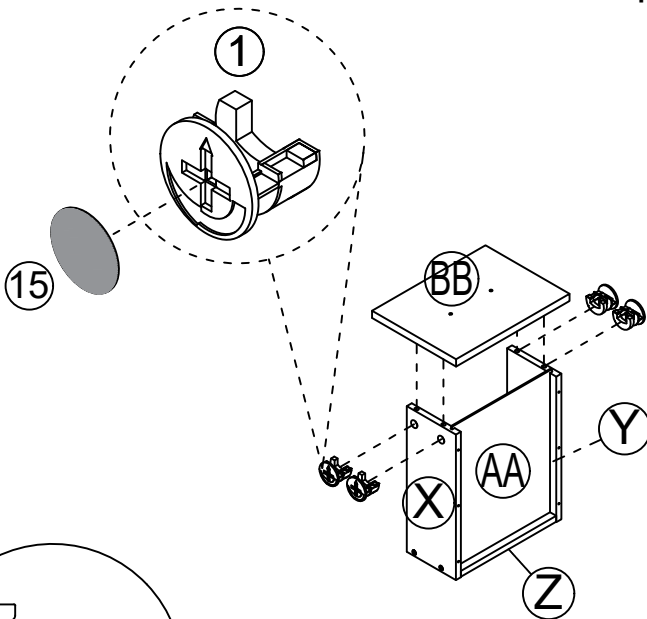
 $\phi 4 \times 35 \text{mm}$	
⑧	X16

 $\phi 21 \text{mm}$	
⑮	X16

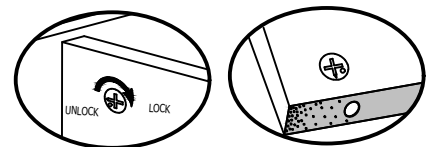
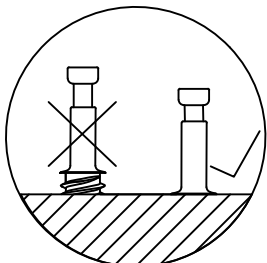


Step 1 Step 2

Step 4 Step 3



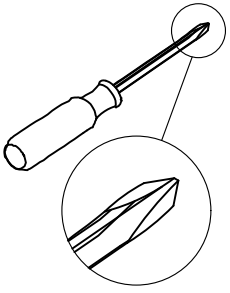
Insert the cam bolt into the hole first, then insert the cam lock and lock it.

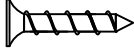



Proper orientation of CAM LOCK


X4

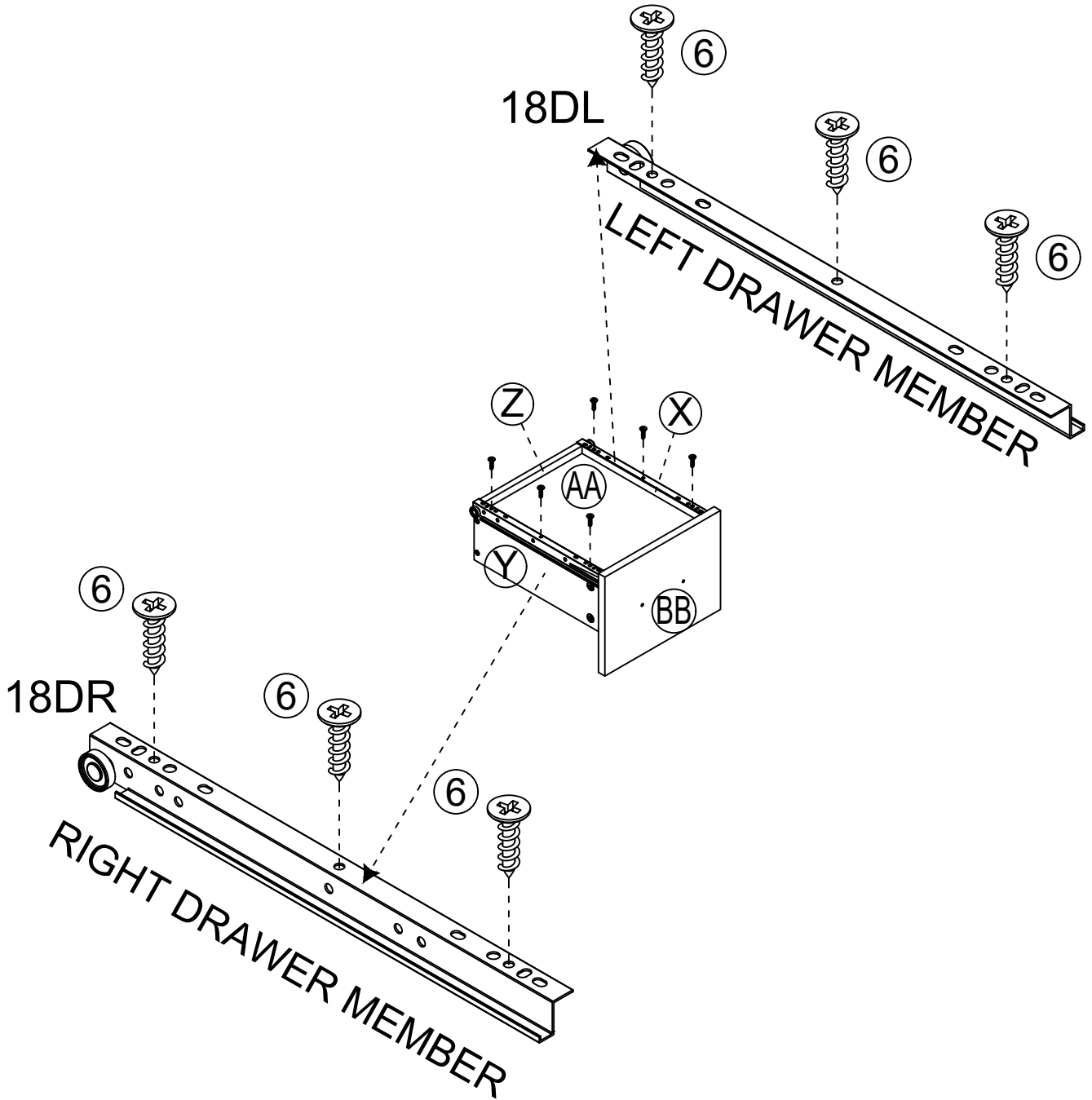
STEP 4



 Ø3.5X12mm	
⑥	X24

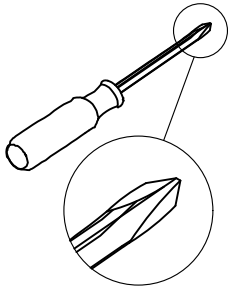
12"  300mm	
18DL	X4


12"  300mm	
18DR	X4

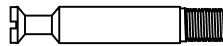



X4

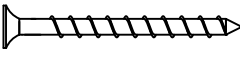
STEP5




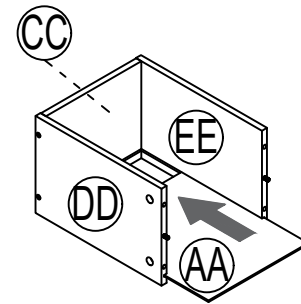
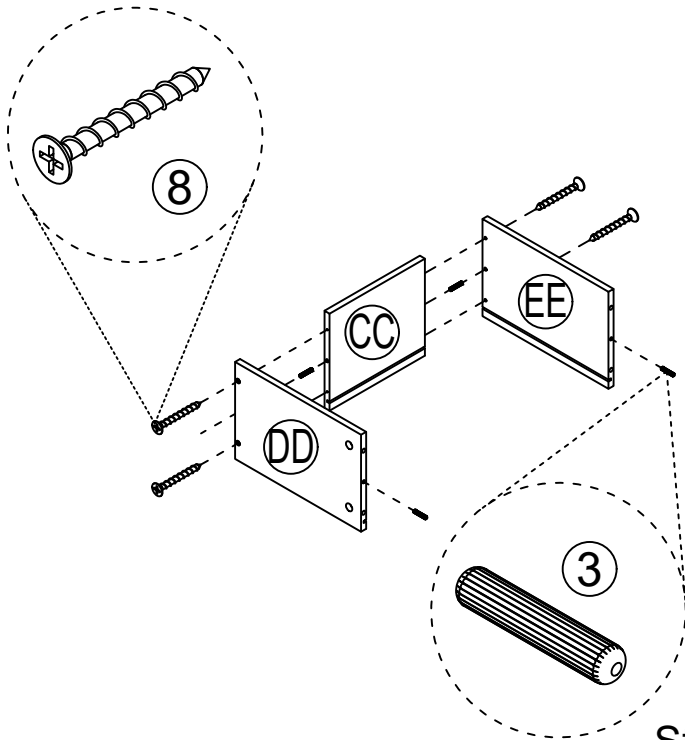
	
ø15X9.5mm	
1	X8

	
ø6.5X35mm	
2	X8

	
ø6X30mm	
3	X8

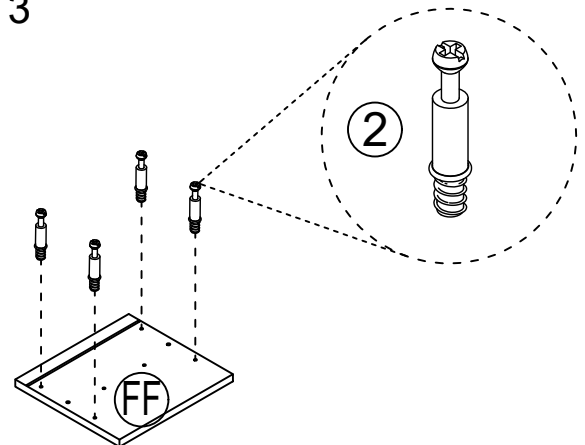
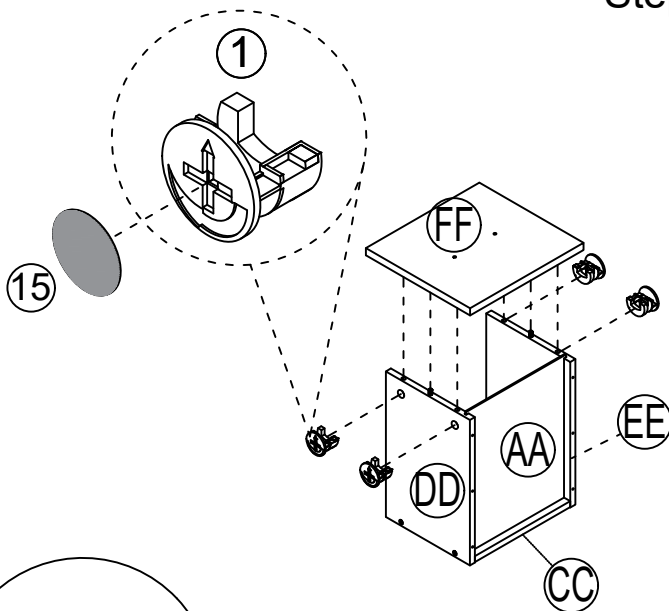
	
ø4X35mm	
8	X8

	
ø21mm	
15	X8

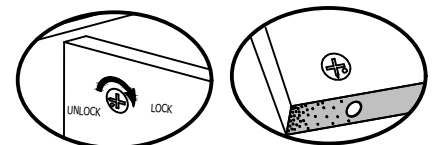
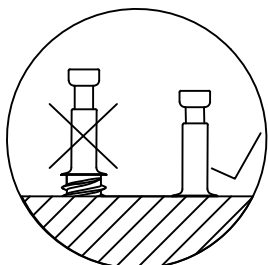


Step 1 Step 2

Step 4 Step 3



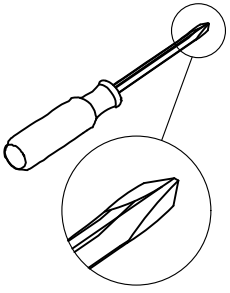
Insert the cam bolt into the hole first, then insert the cam lock and lock it.

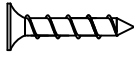


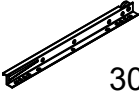
Proper orientation of CAM LOCK

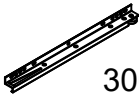
X2

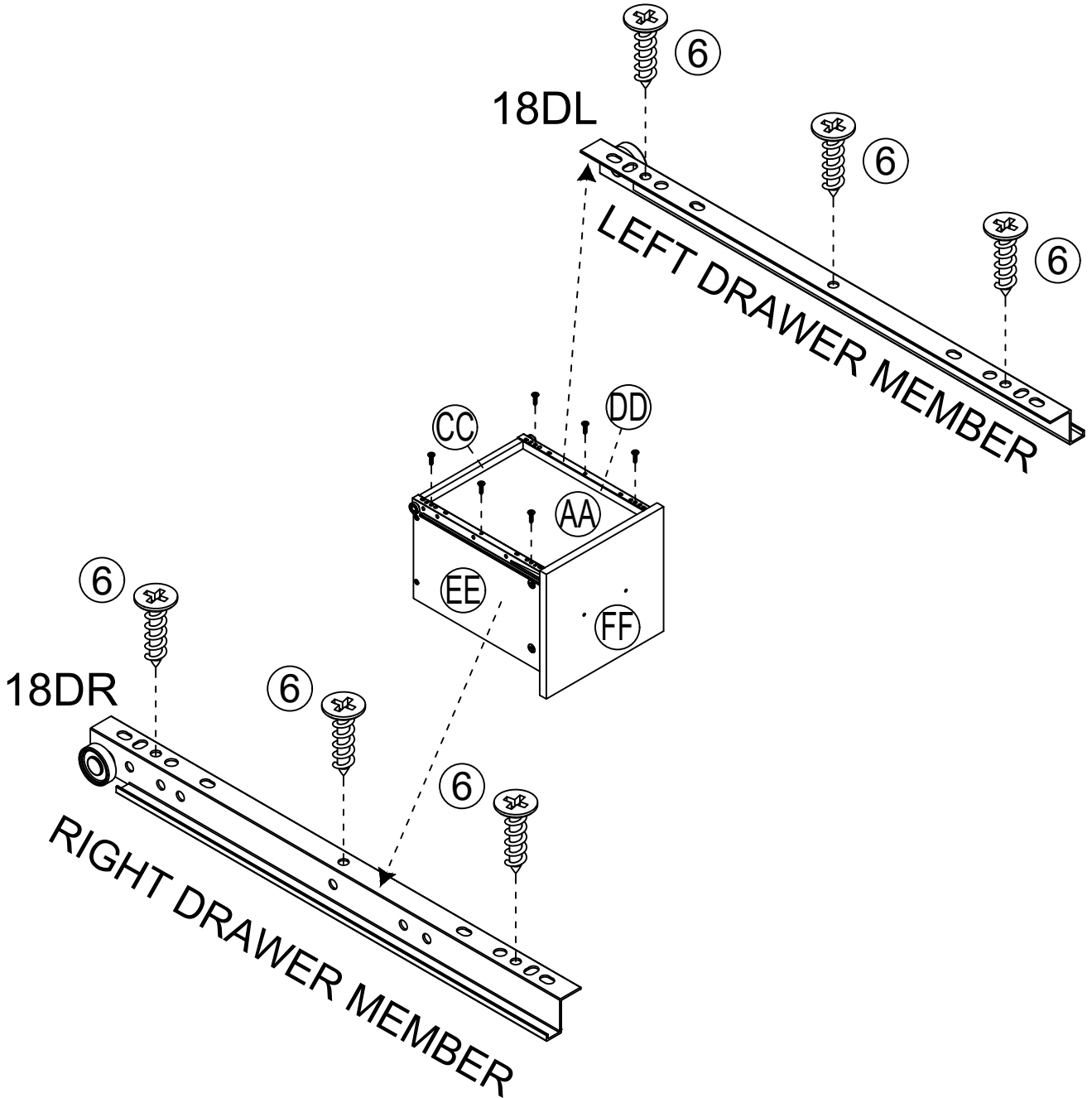
STEP 6



 ø3.5X12mm	
⑥	X12

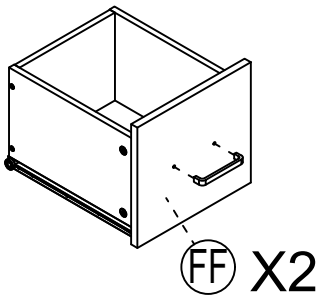
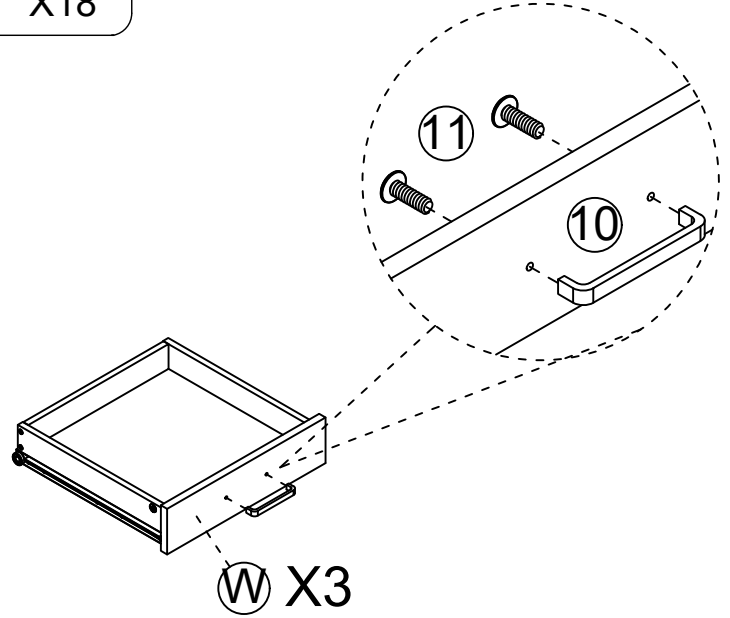
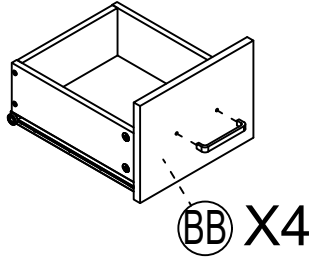
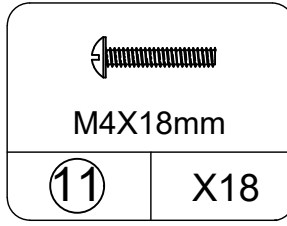
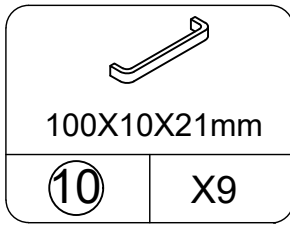
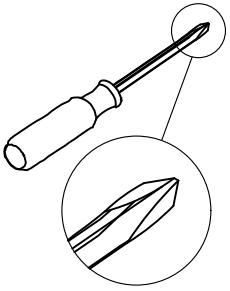
 300mm	
18DL	X2

 300mm	
18DR	X2



X2

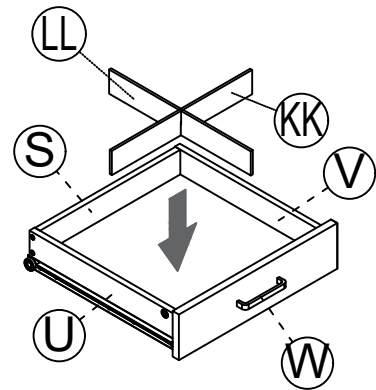
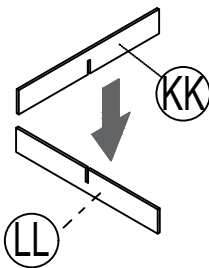
STEP 7



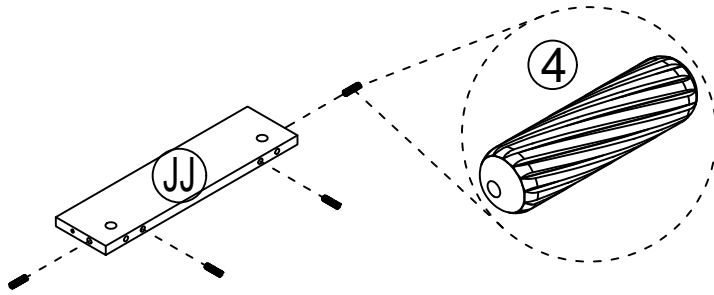
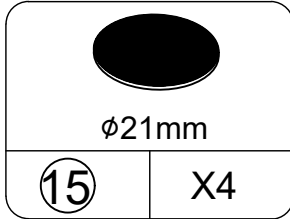
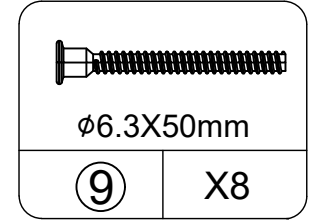
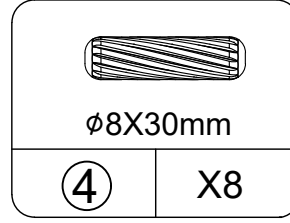
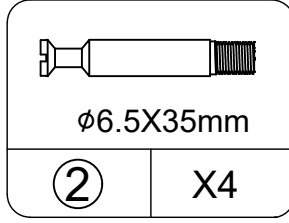
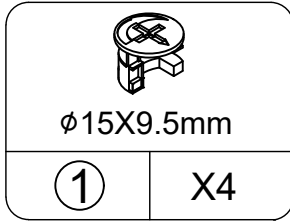
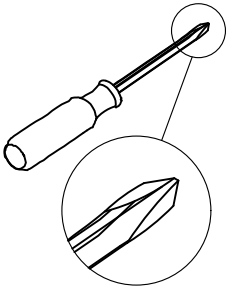
Step 1

Step 2

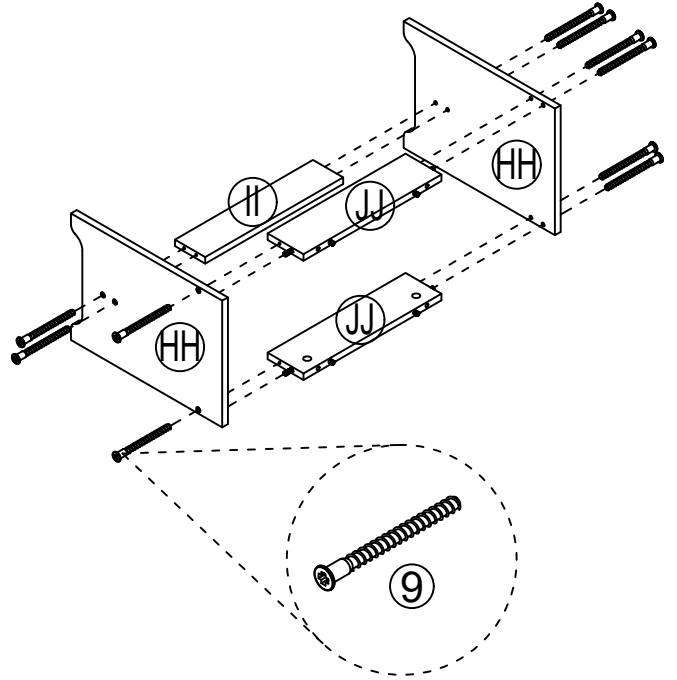
Step 3



STEP 8

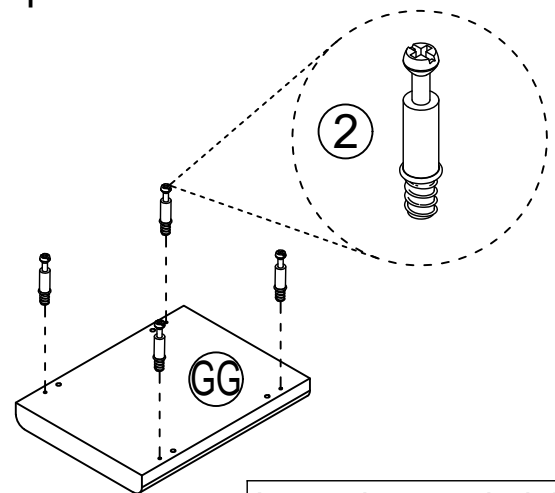
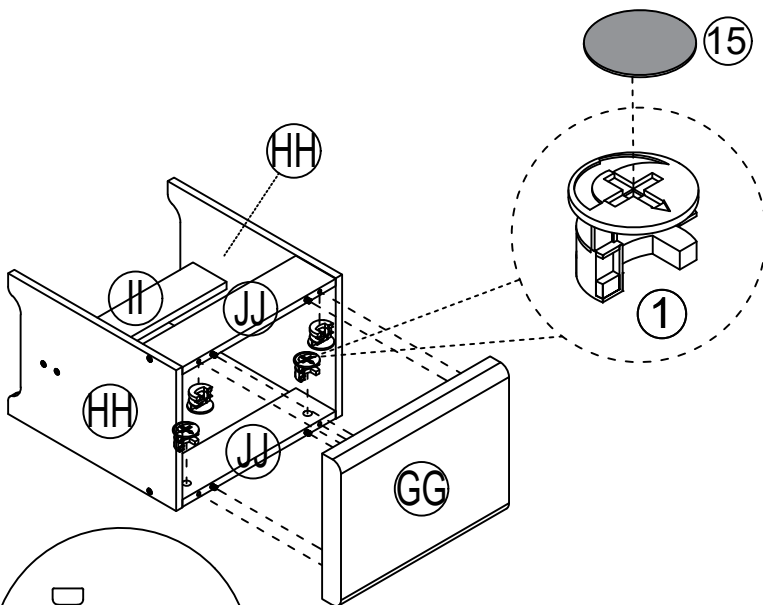


X2

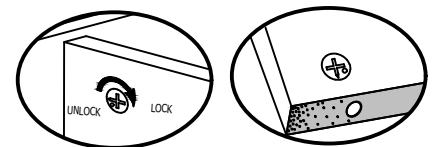
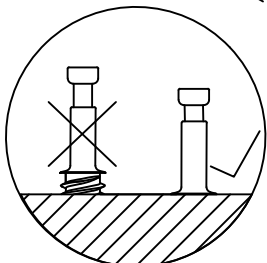


Step 1 Step 2

Step 4 Step 3

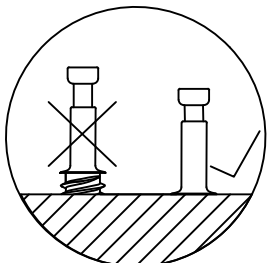
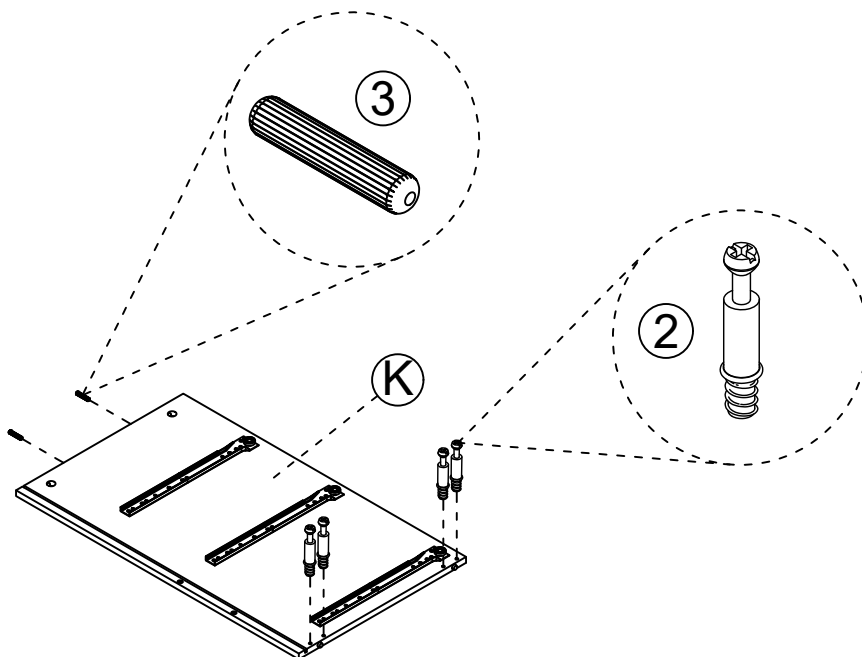
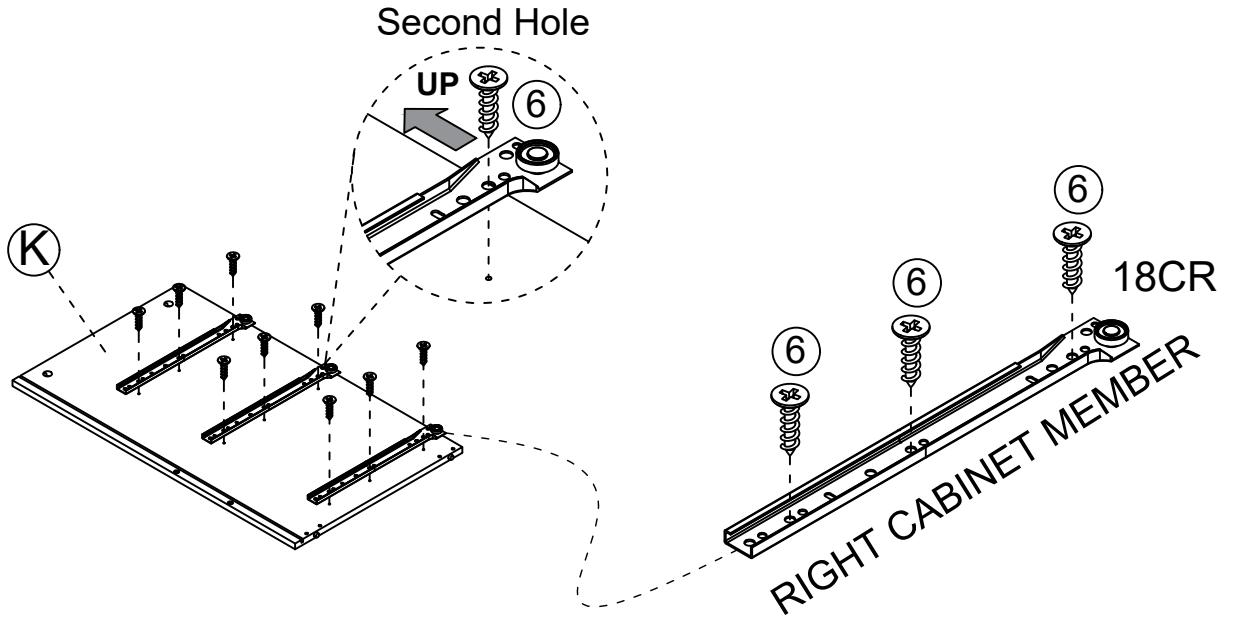
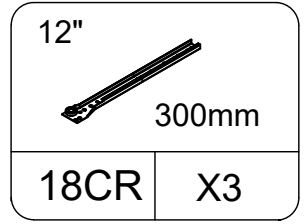
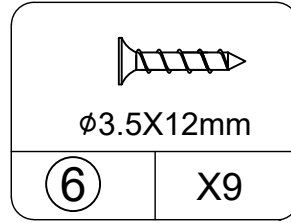
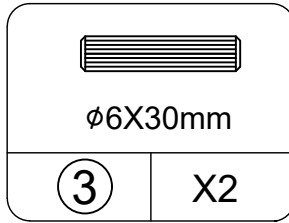
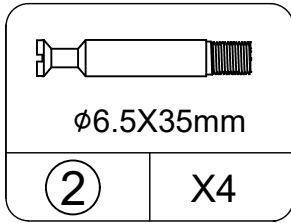
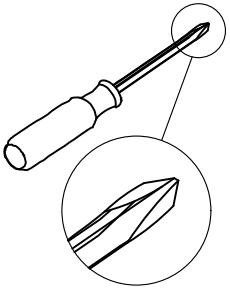


Insert the cam bolt into the hole first, then insert the cam lock and lock it.

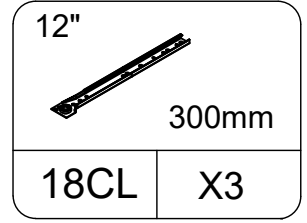
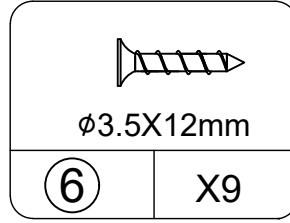
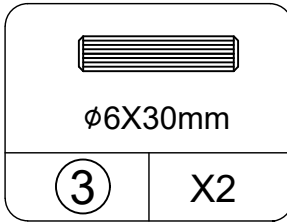
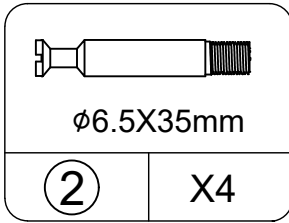
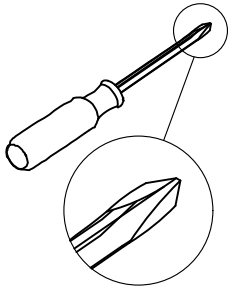


Proper orientation of CAM LOCK

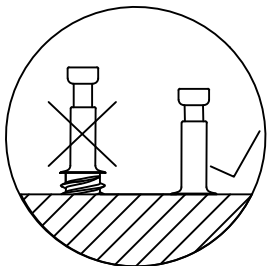
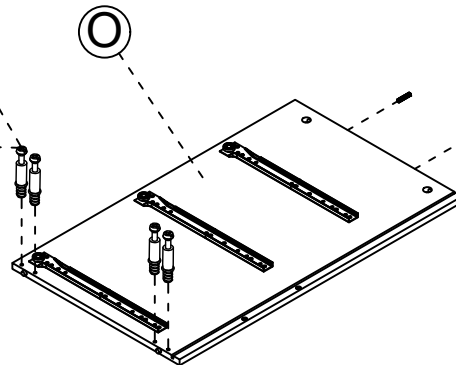
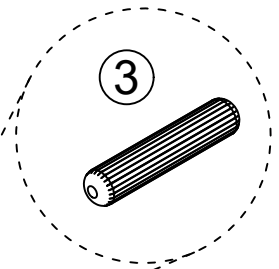
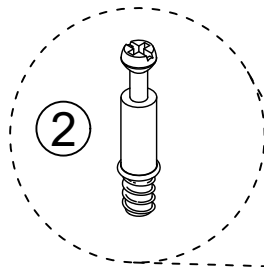
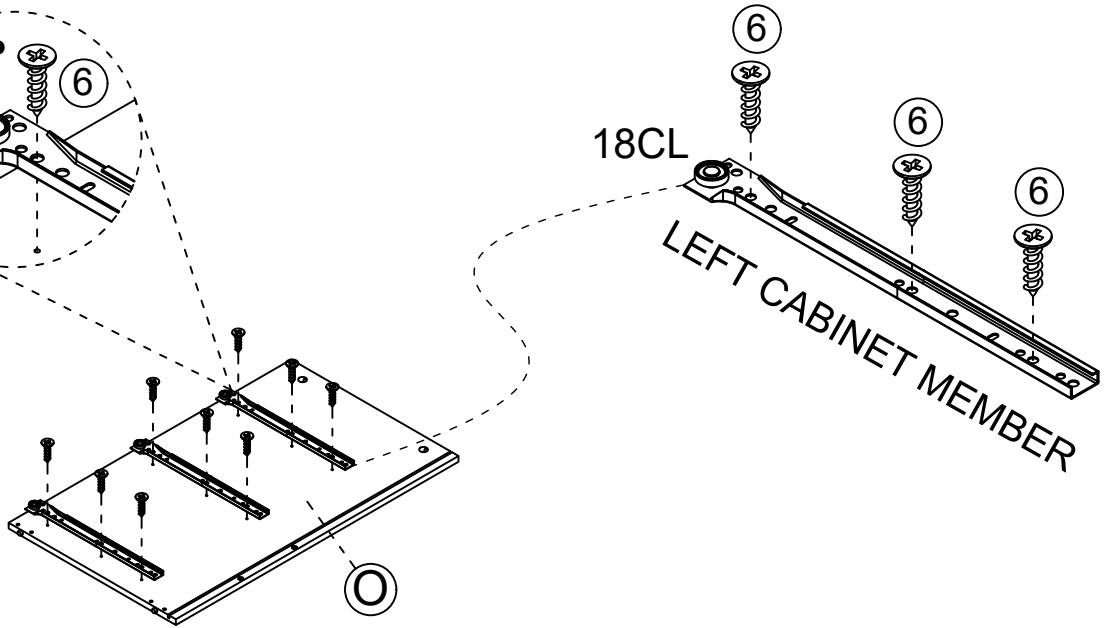
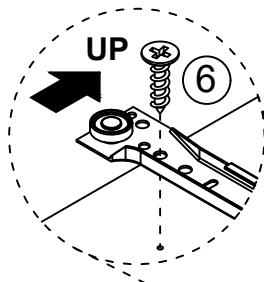
STEP 9



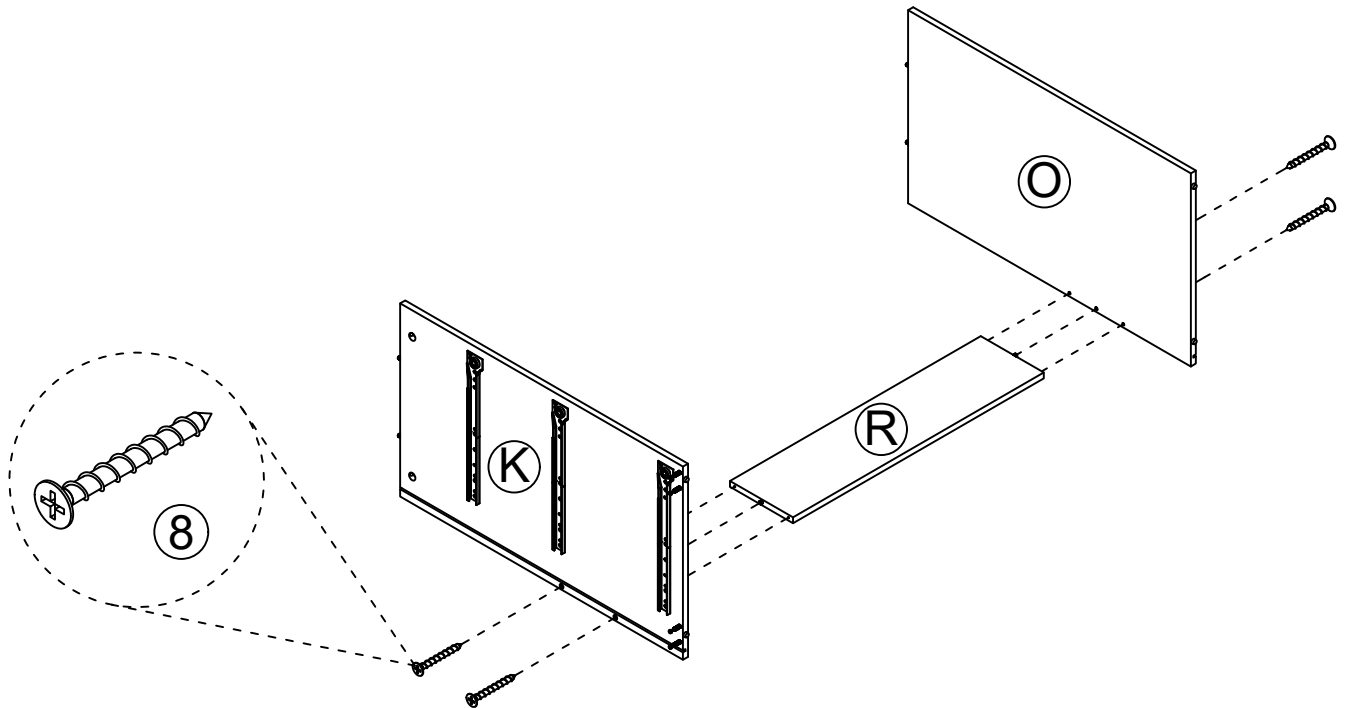
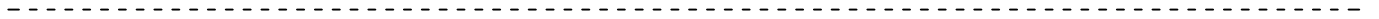
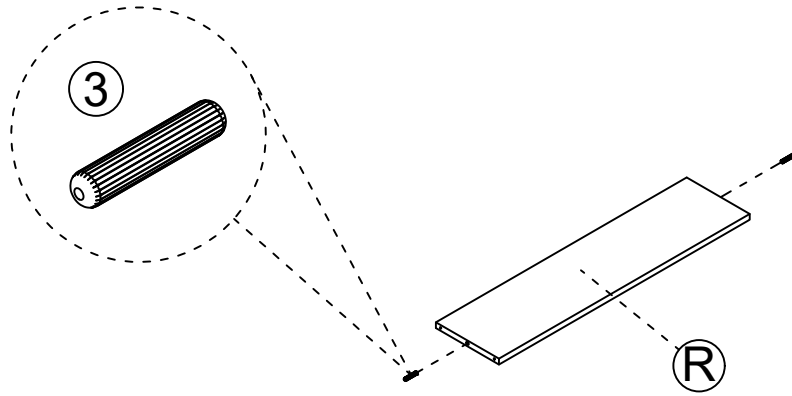
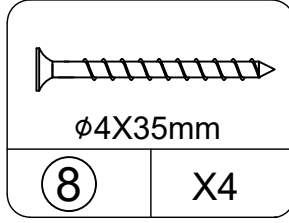
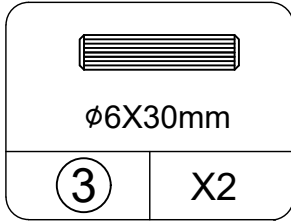
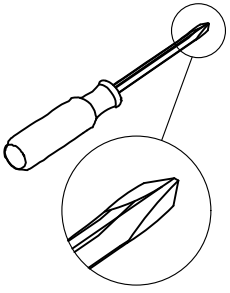
STEP10



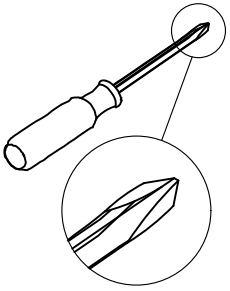
Second Hole

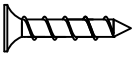


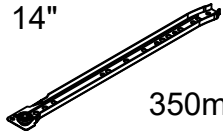
STEP11

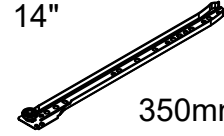


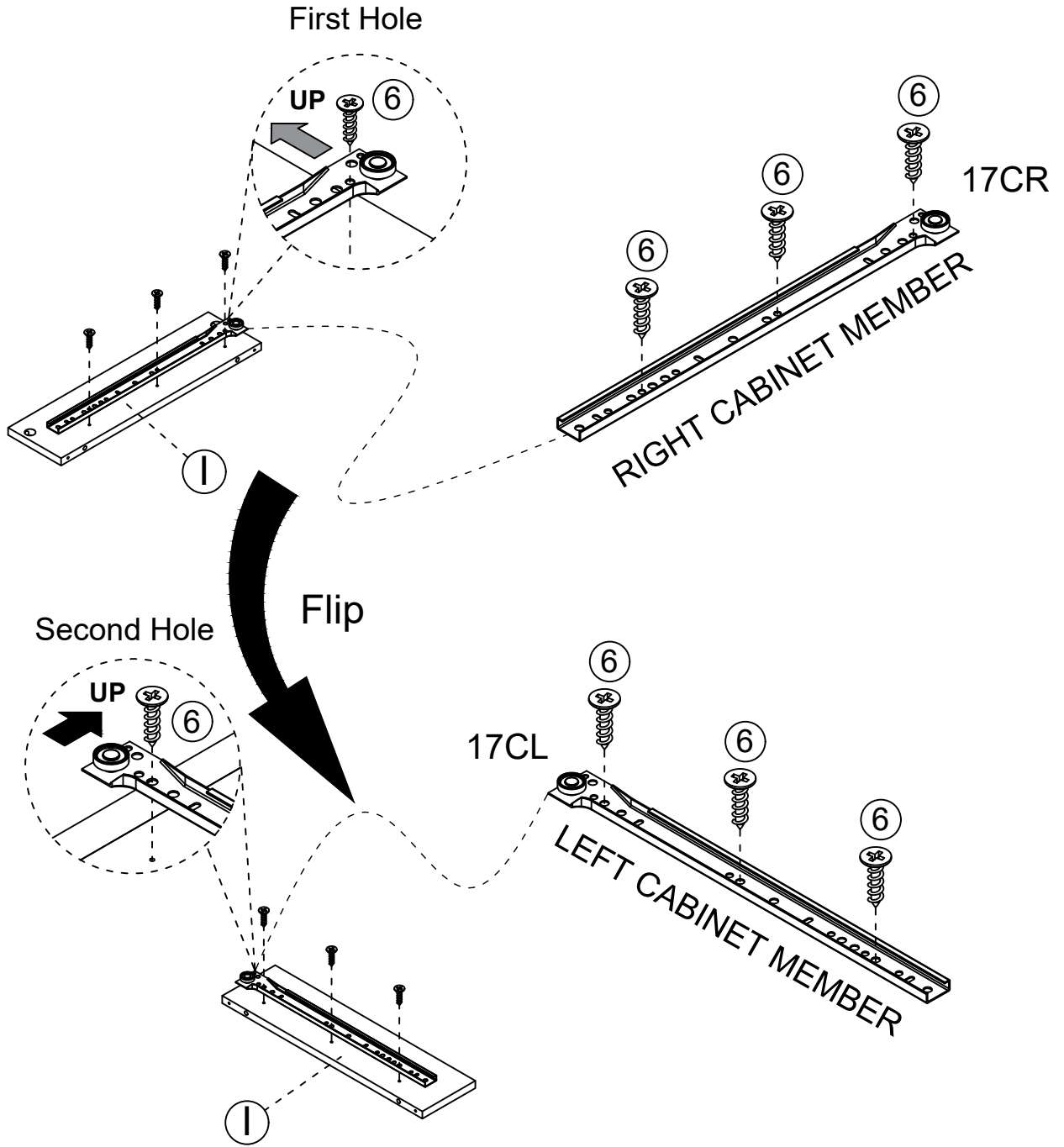
STEP 12



 Ø3.5X12mm	
⑥	X12

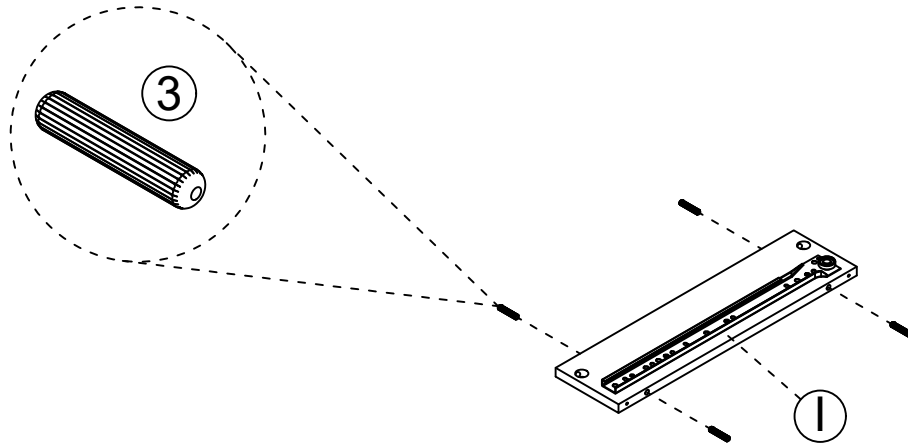
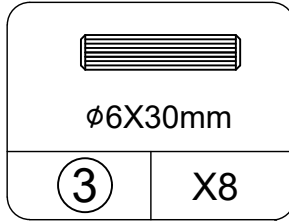
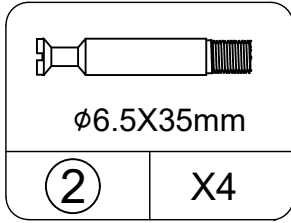
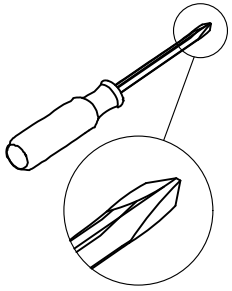
14" 	350mm
17CL	X2

14" 	350mm
17CR	X2

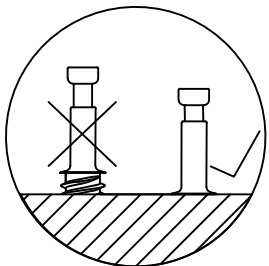
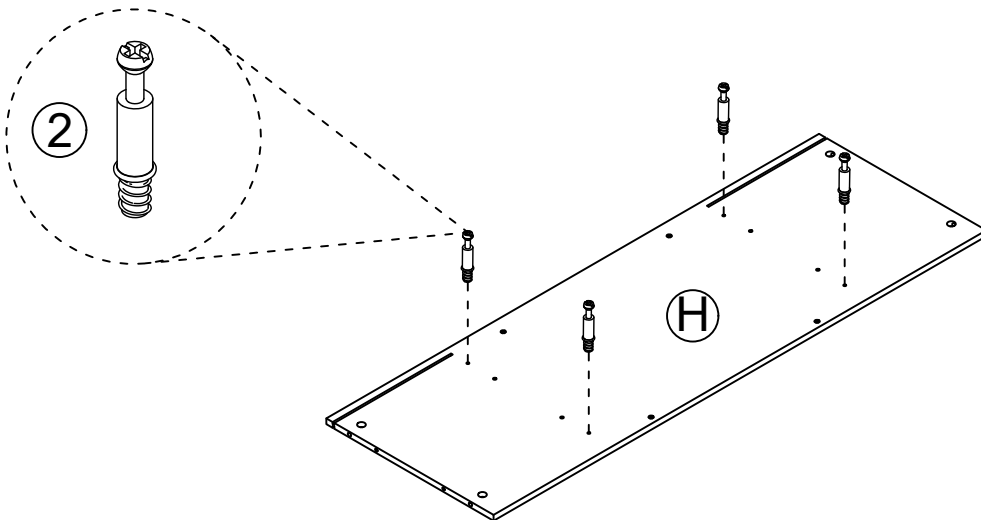


X2

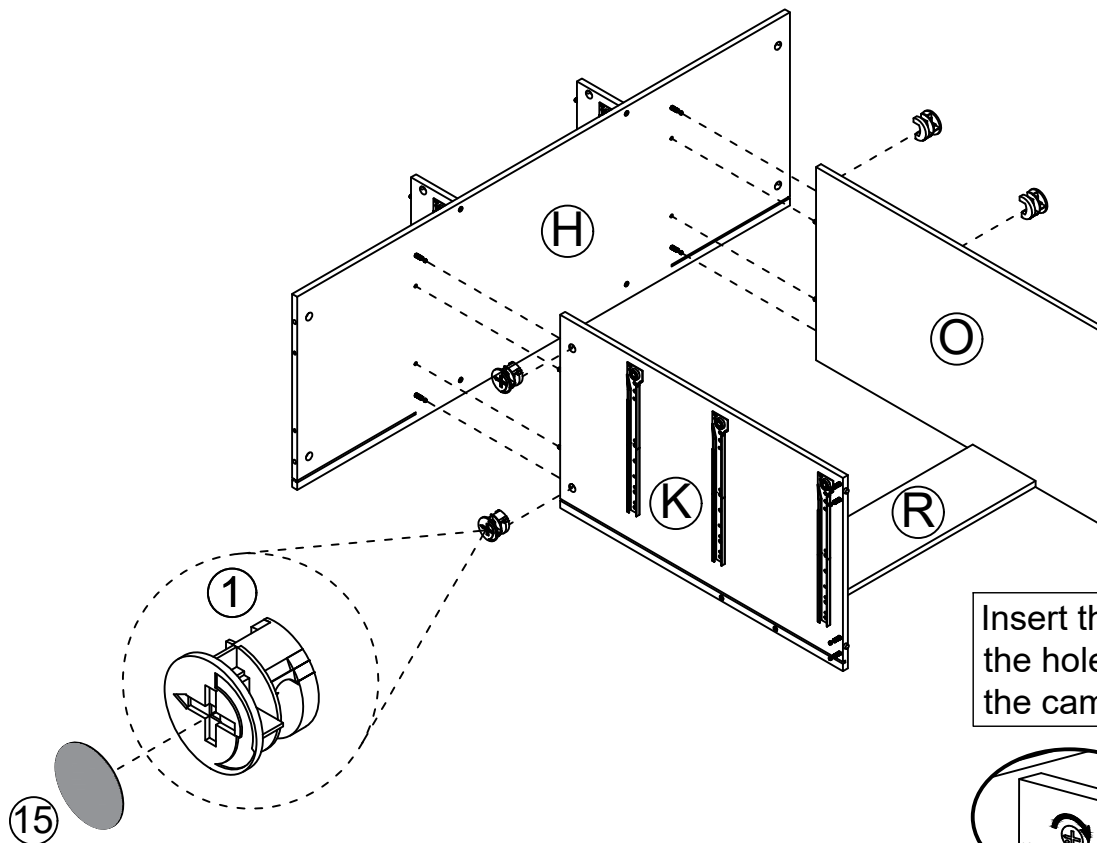
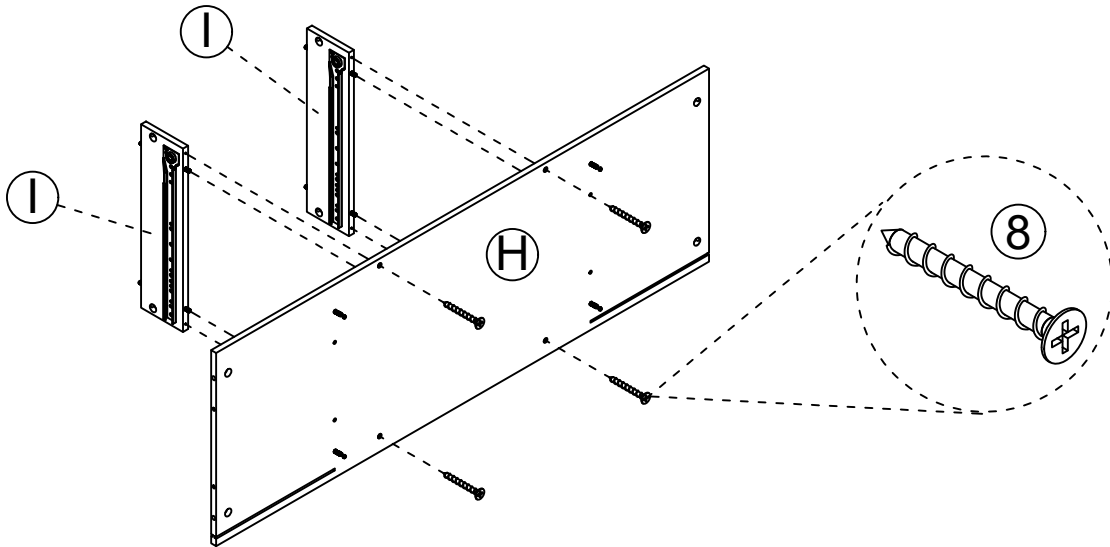
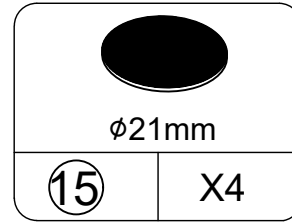
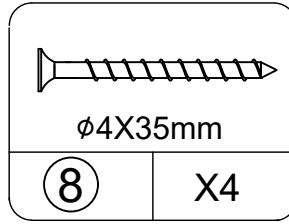
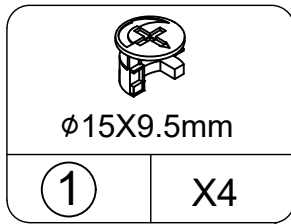
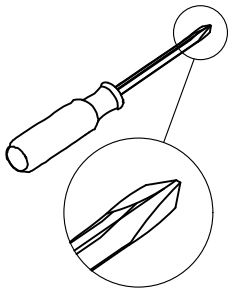
STEP13



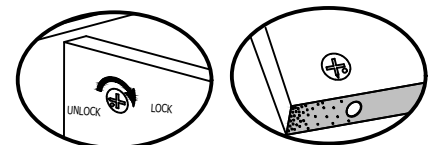
X2



STEP14

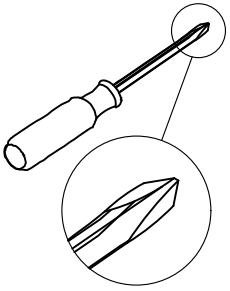


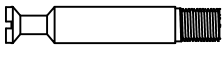
Insert the cam bolt into the hole first, then insert the cam lock and lock it.

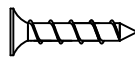


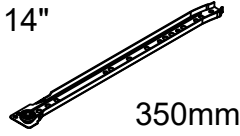
Proper orientation of CAM LOCK


STEP15



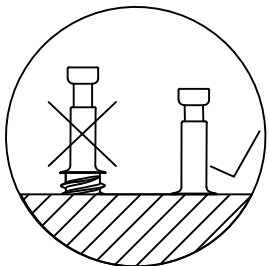
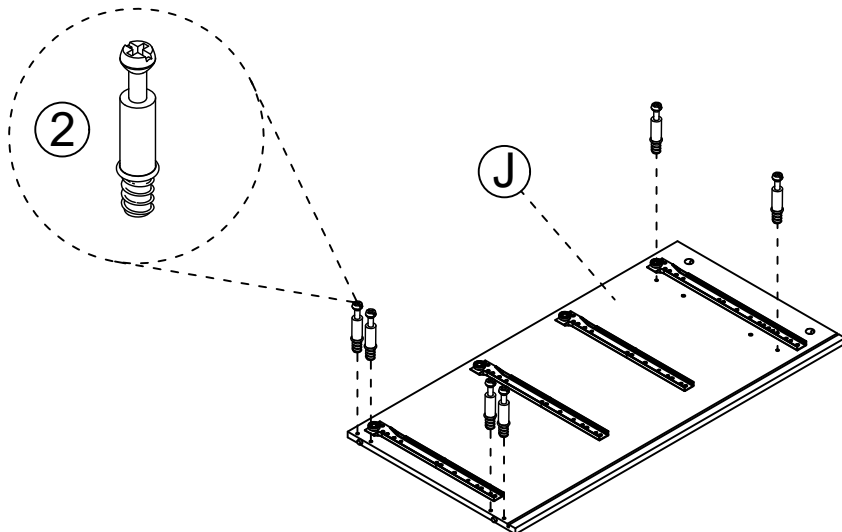
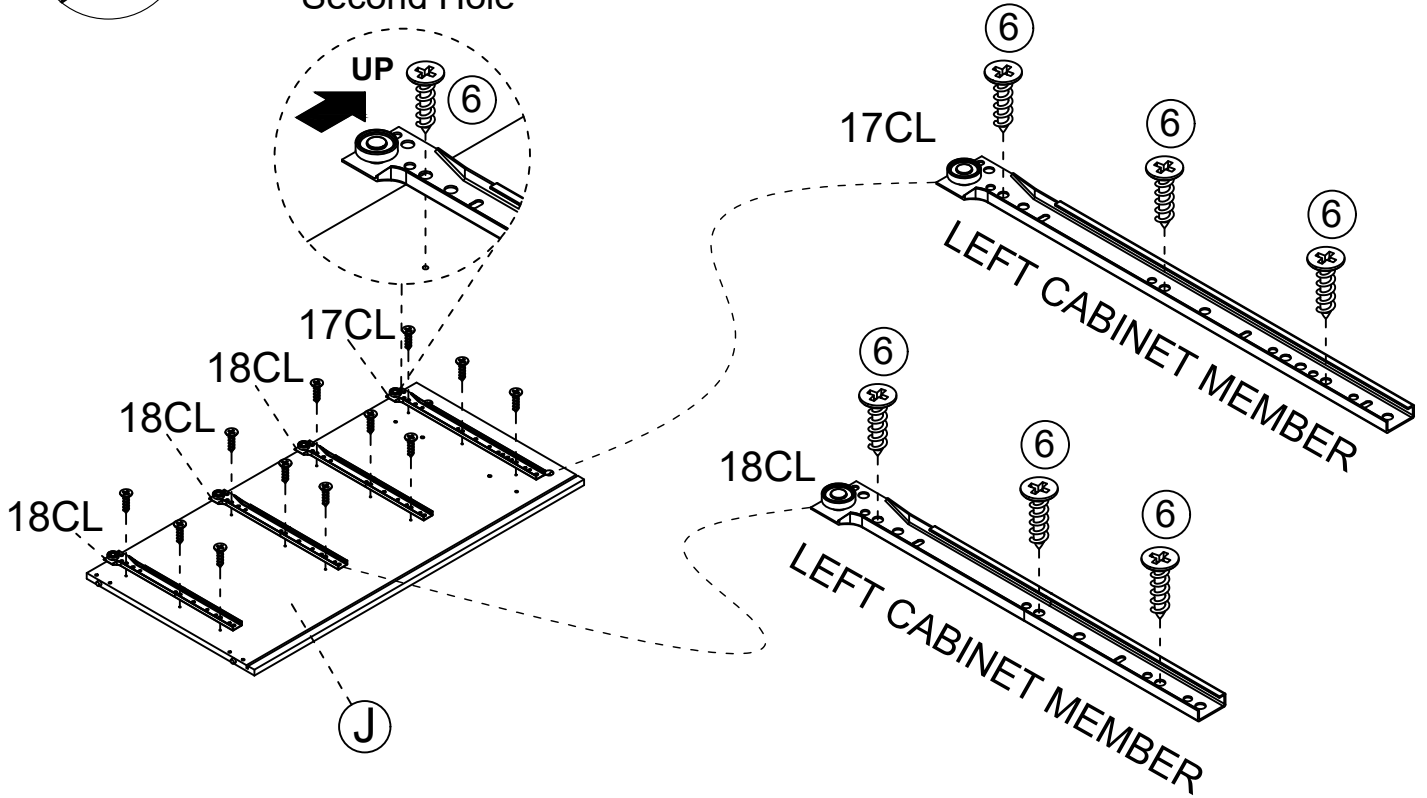
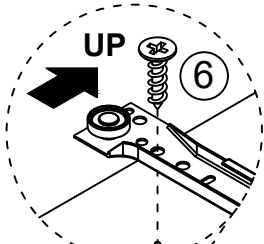
	
ø6.5X35mm	
②	X6

	
ø3.5X12mm	
⑥	X12

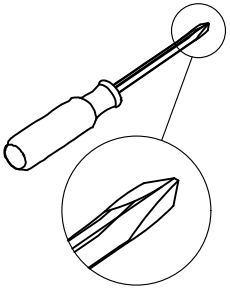
14"	
	
350mm	
17CL	X1

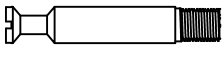
12"	
	
300mm	
18CL	X3

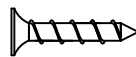
Second Hole

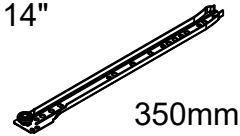


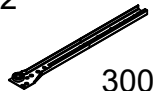
STEP 16

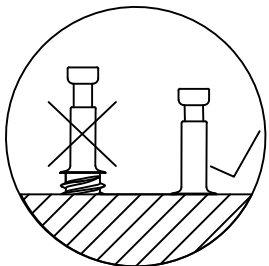
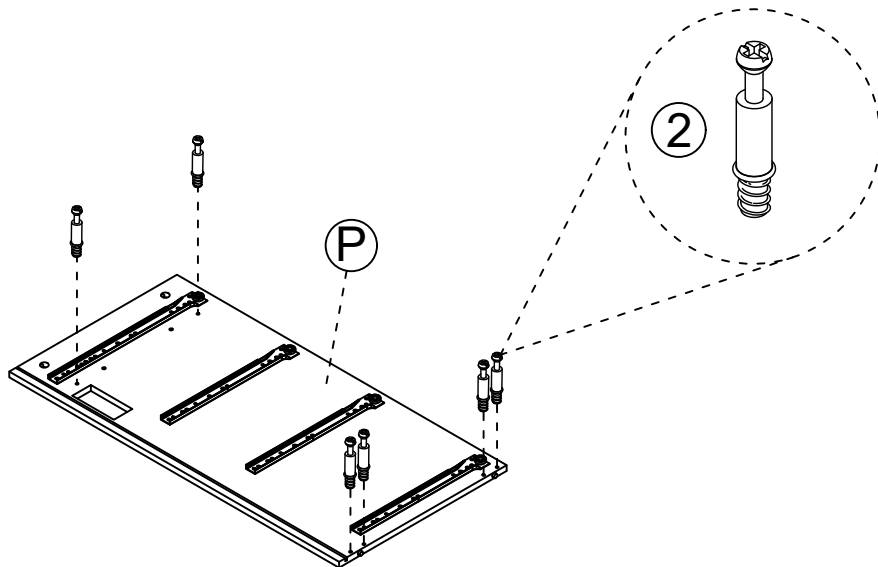
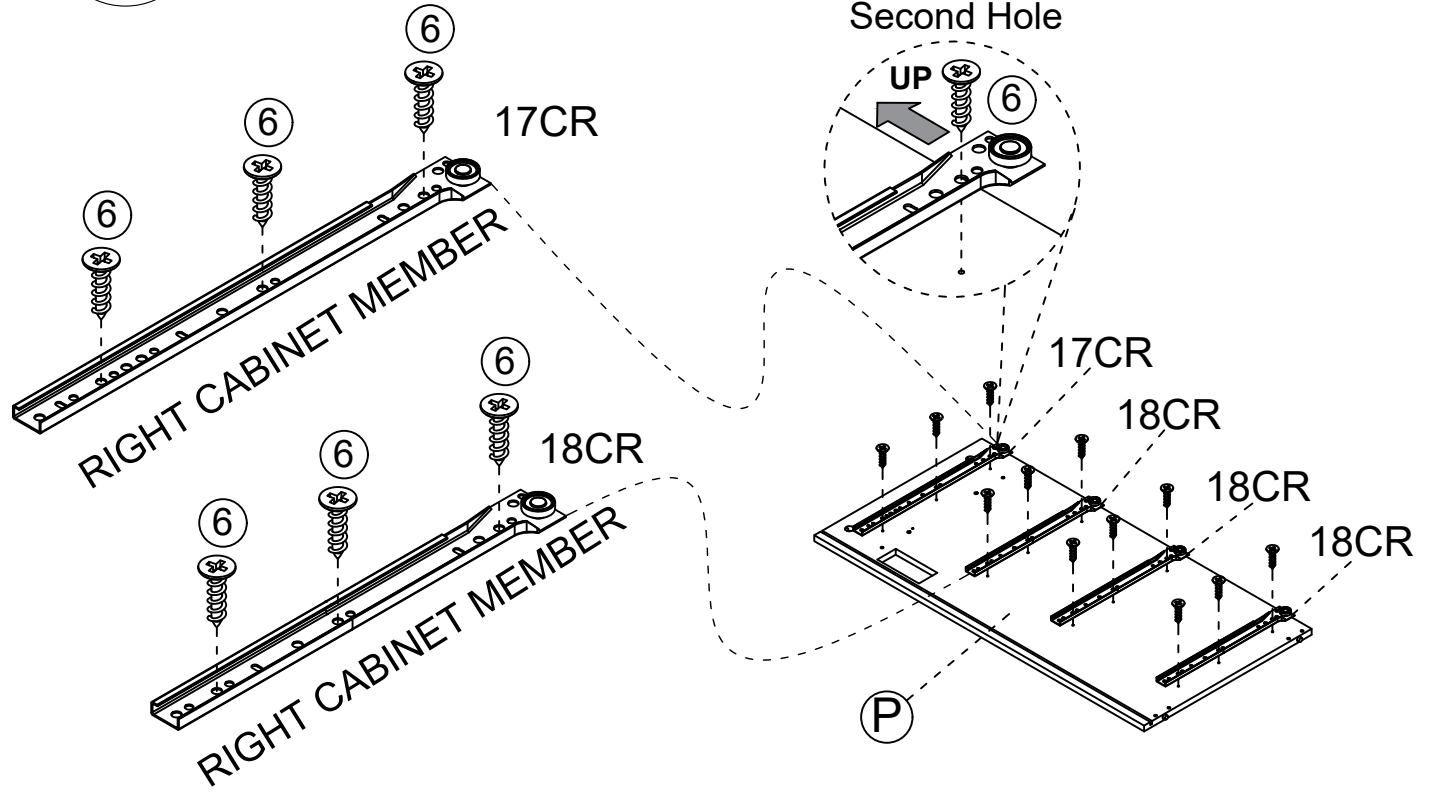


 ø6.5X35mm	
(2)	X6

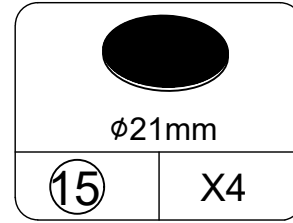
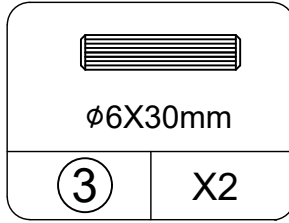
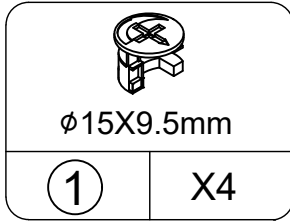
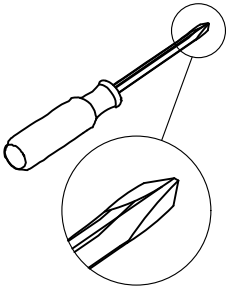
 ø3.5X12mm	
(6)	X12

 14" 350mm	
17CR	X1

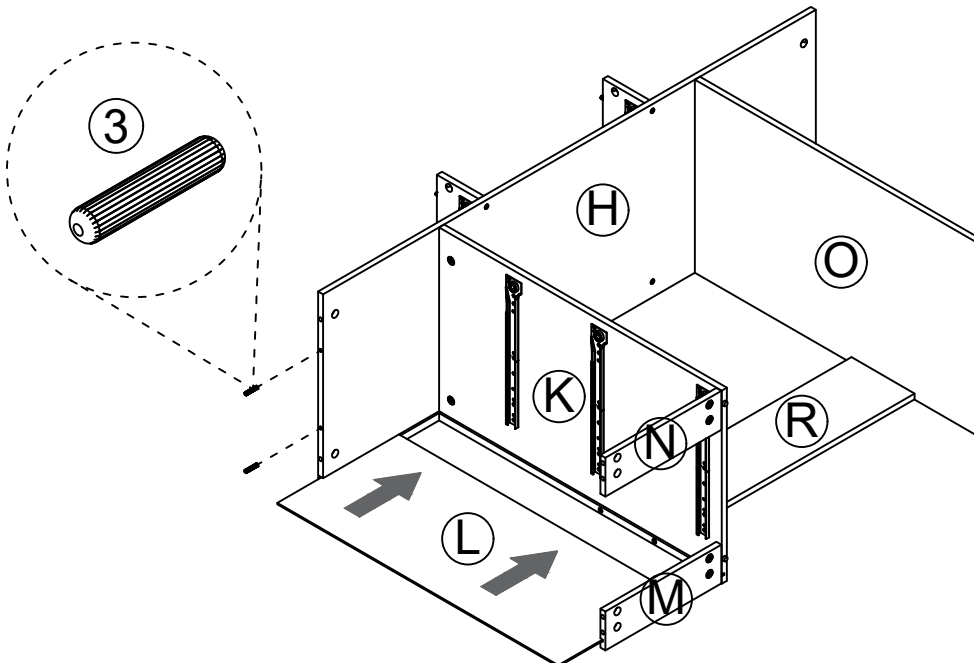
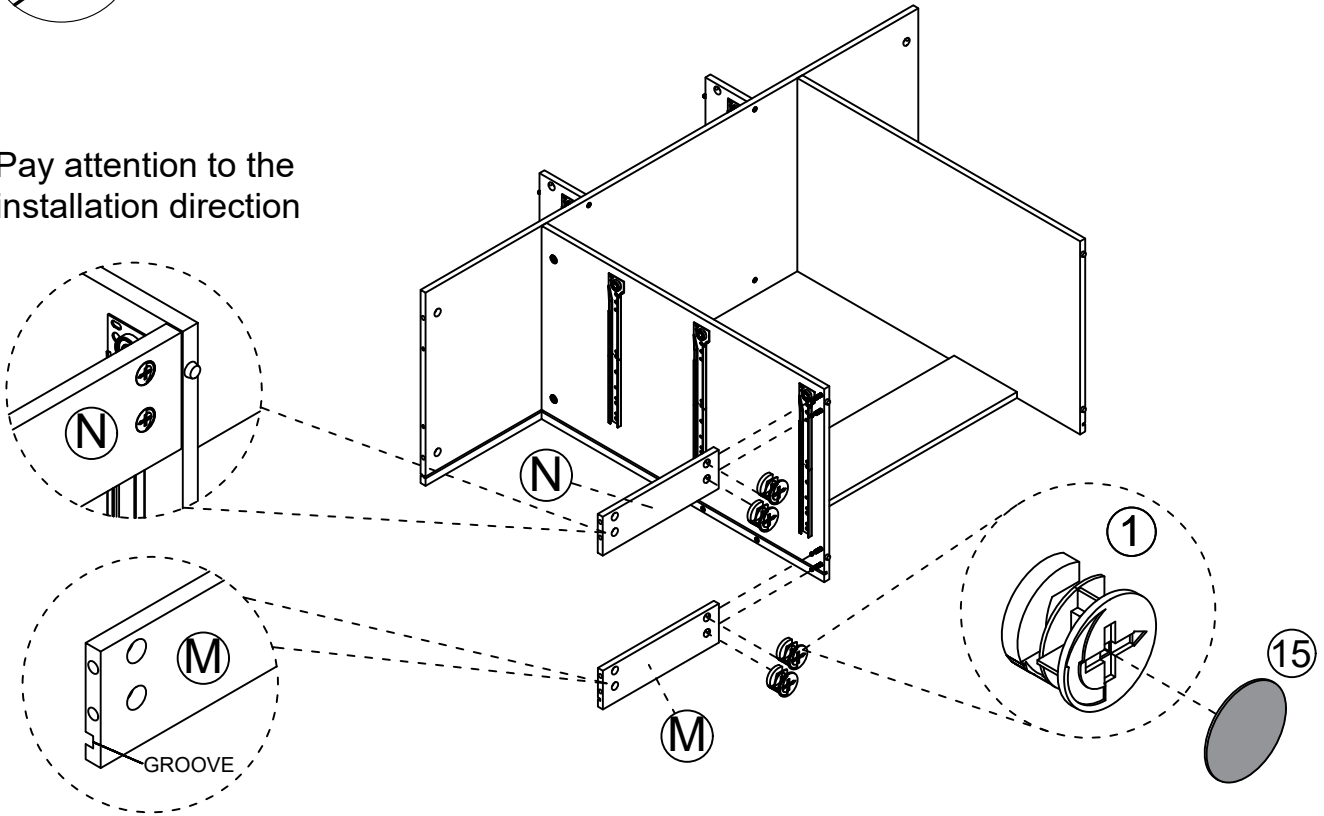
 12" 300mm	
18CR	X3



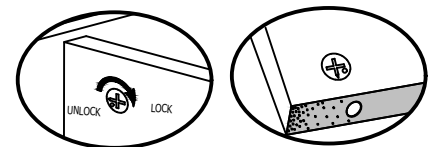
STEP 17



Pay attention to the installation direction

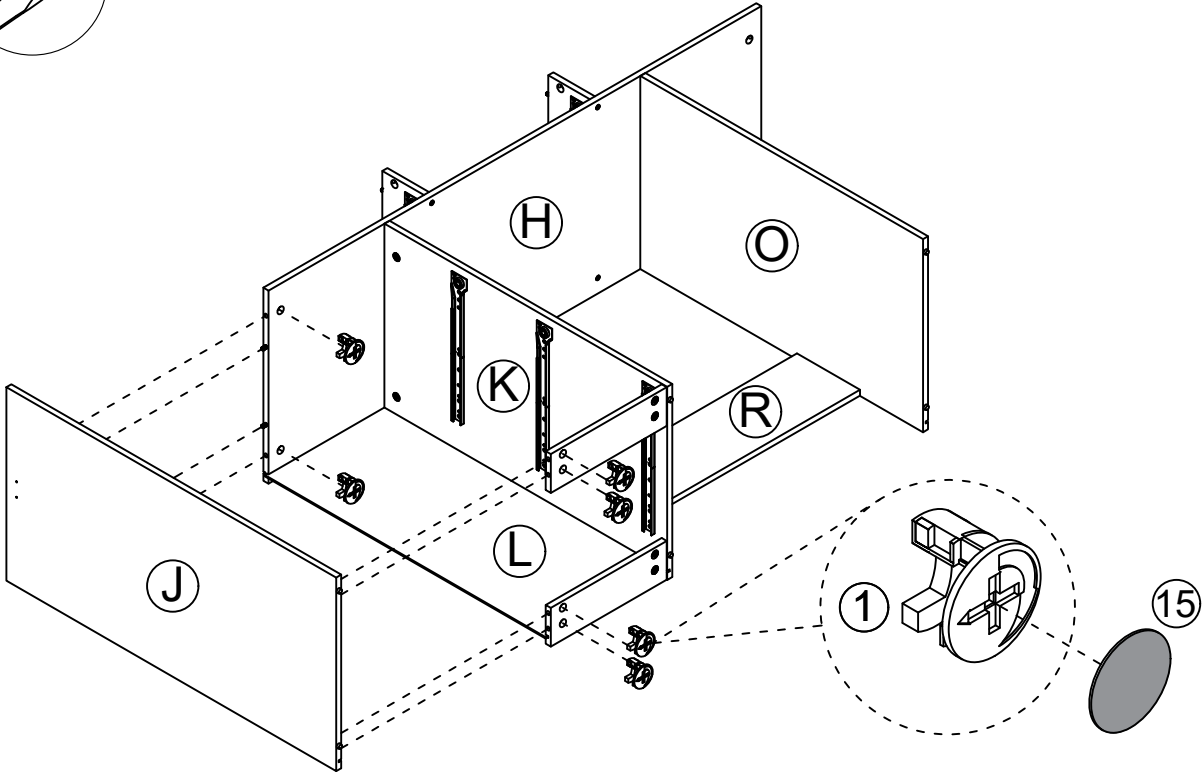
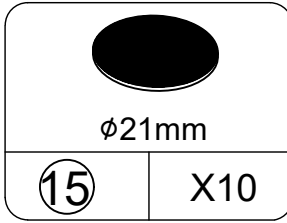
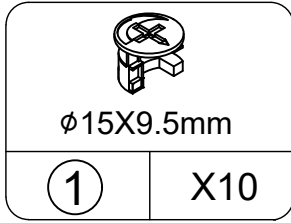
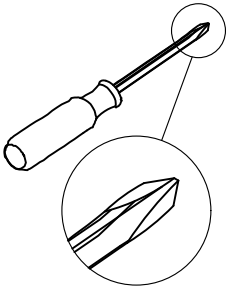


Insert the cam bolt into the hole first, then insert the cam lock and lock it.

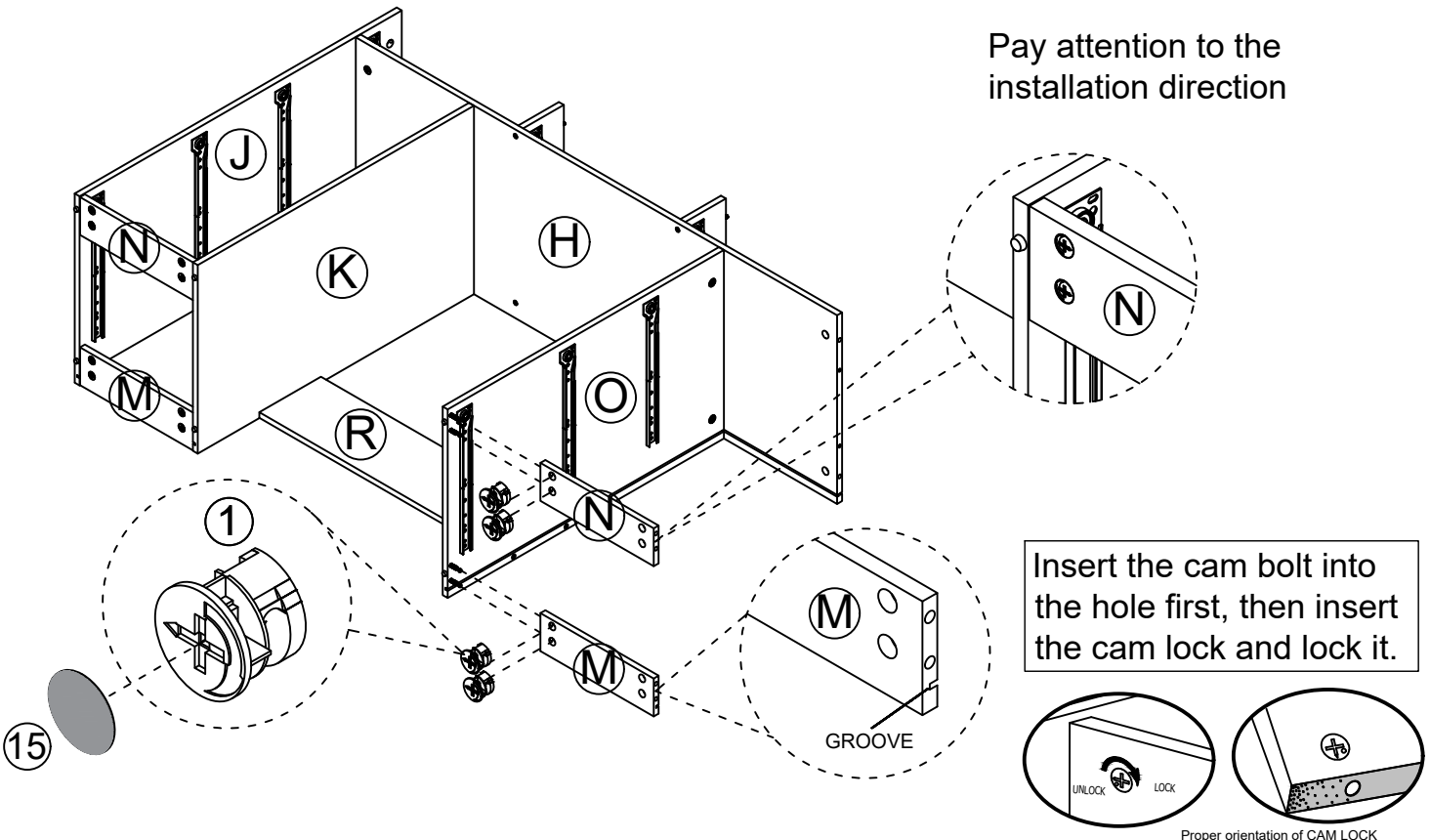


Proper orientation of CAM LOCK

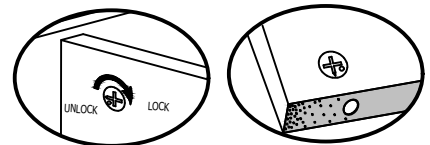
STEP18



Pay attention to the installation direction

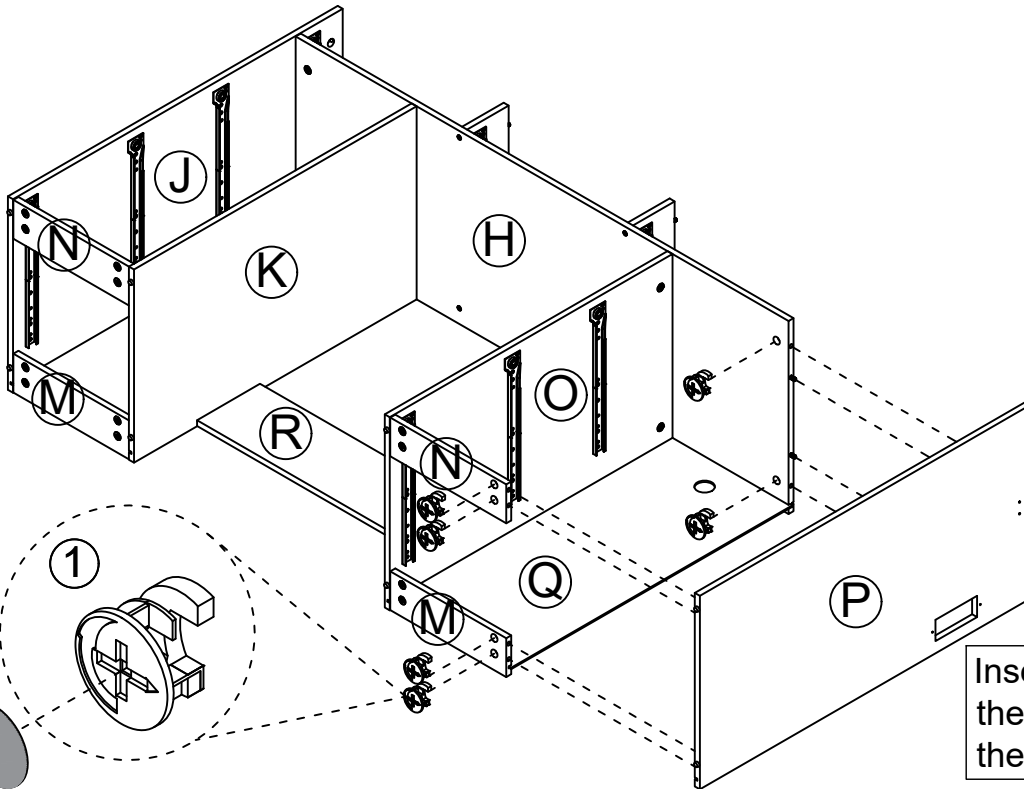
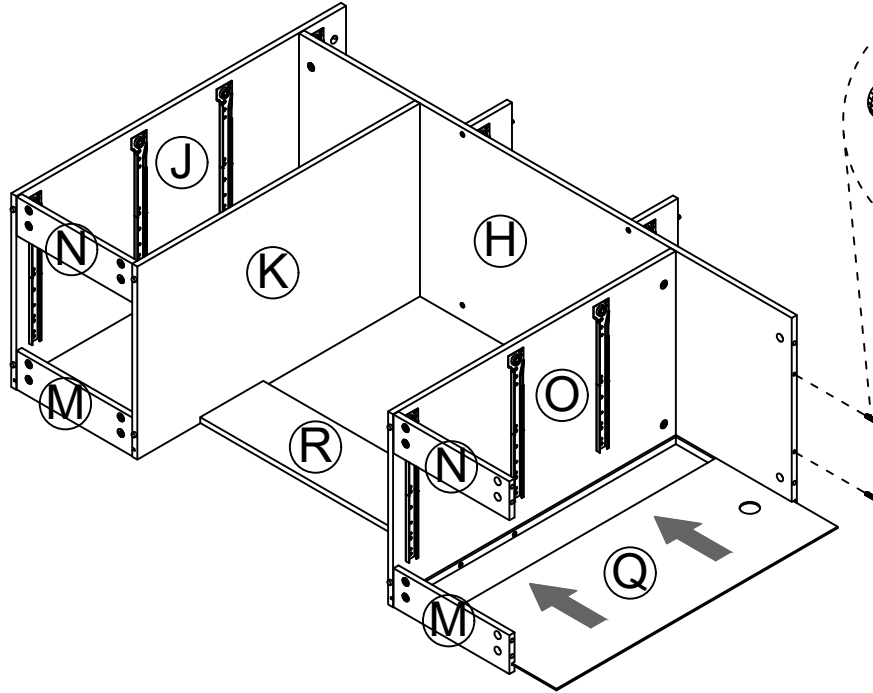
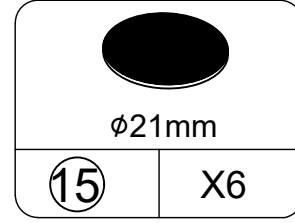
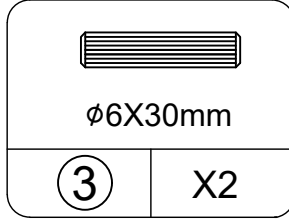
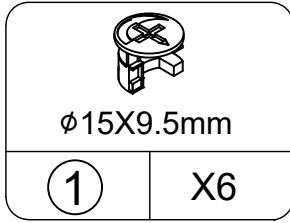
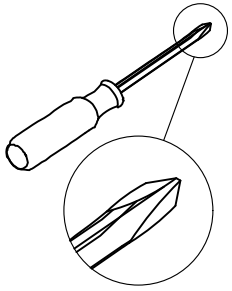


Insert the cam bolt into the hole first, then insert the cam lock and lock it.

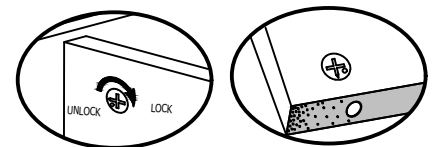


Proper orientation of CAM LOCK

STEP 19

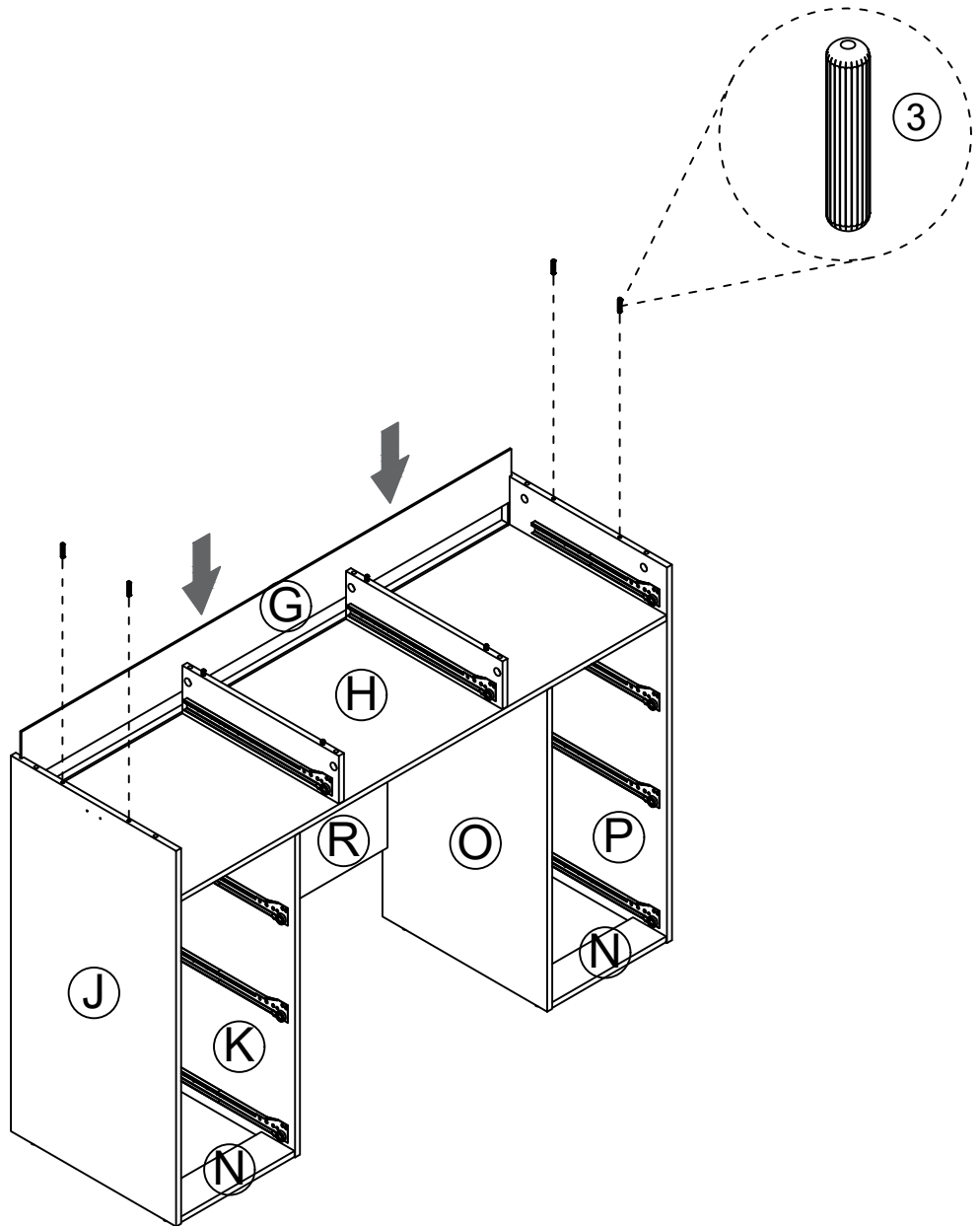
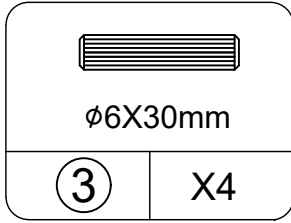
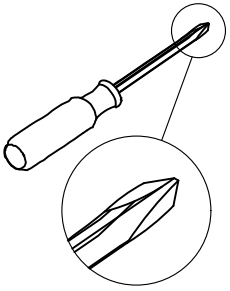


Insert the cam bolt into the hole first, then insert the cam lock and lock it.

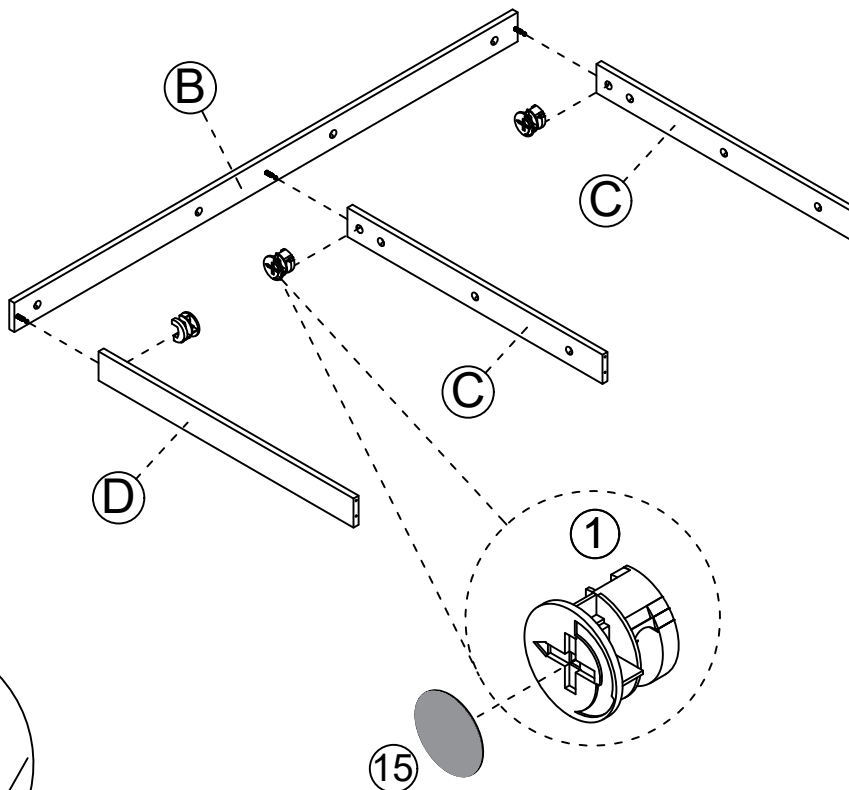
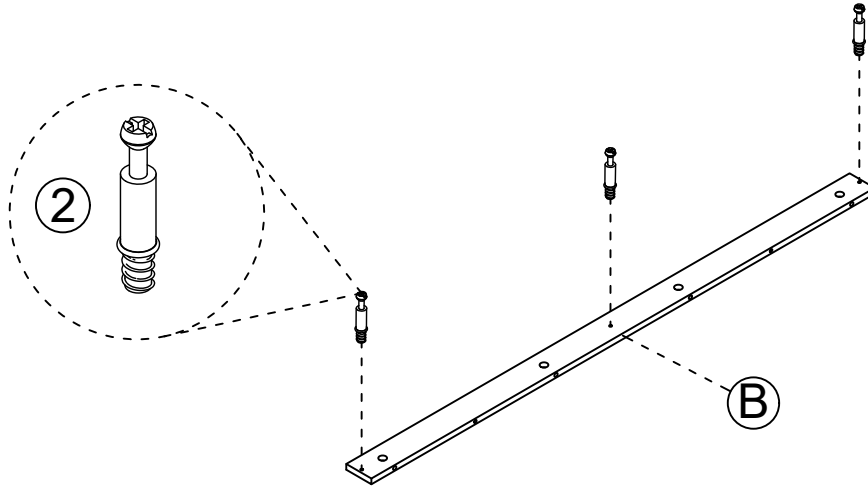
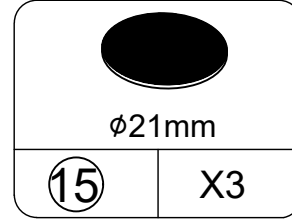
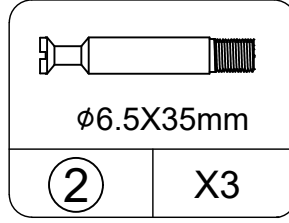
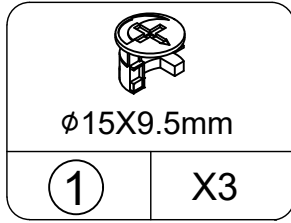
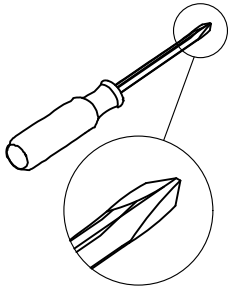


Proper orientation of CAM LOCK

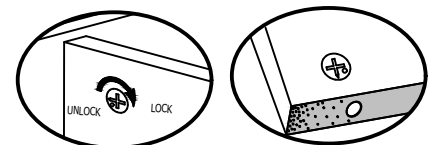
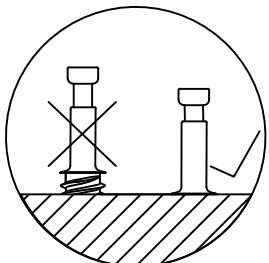
STEP20



STEP21

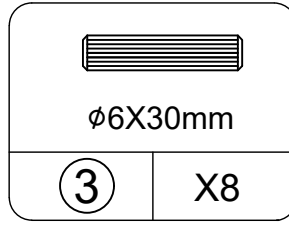
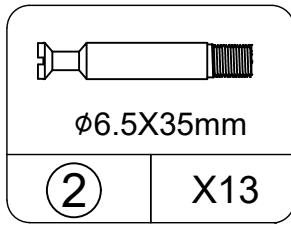
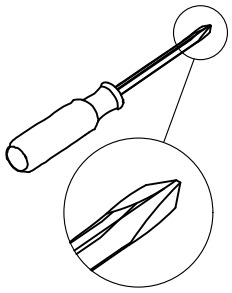


Insert the cam bolt into the hole first, then insert the cam lock and lock it.

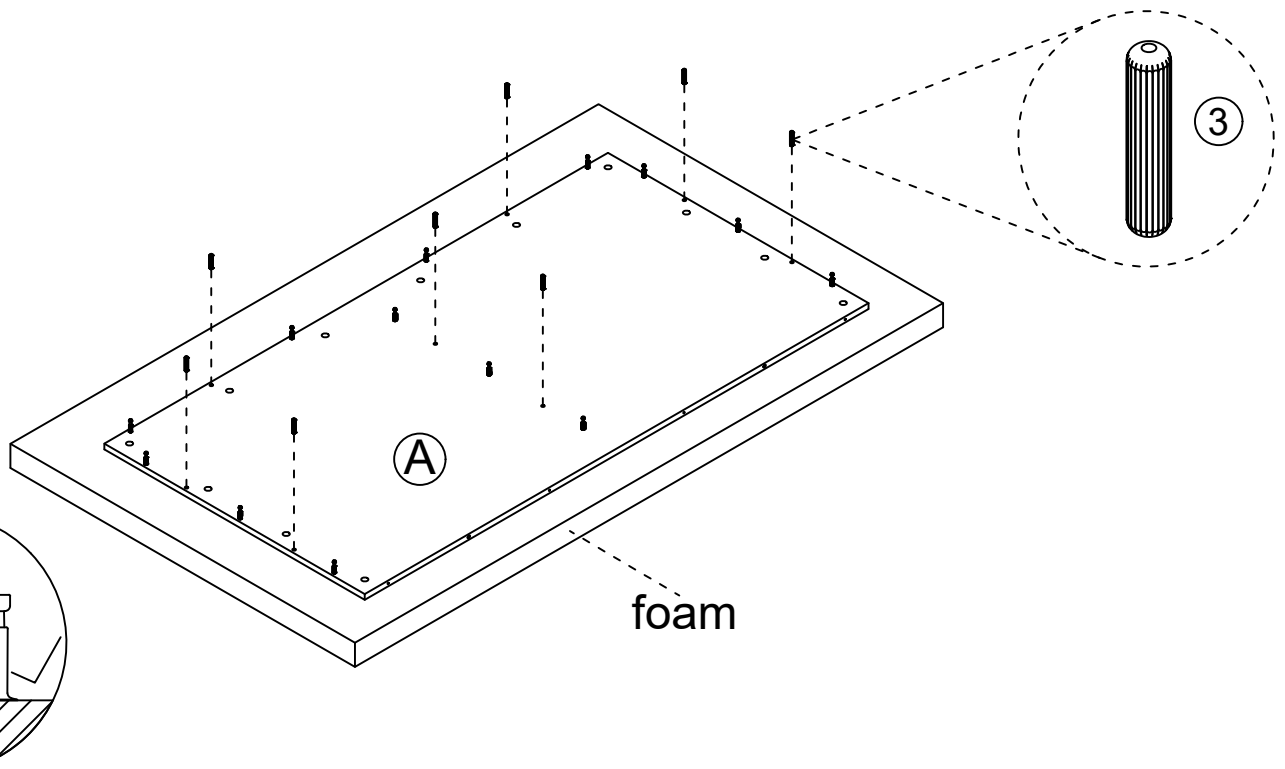
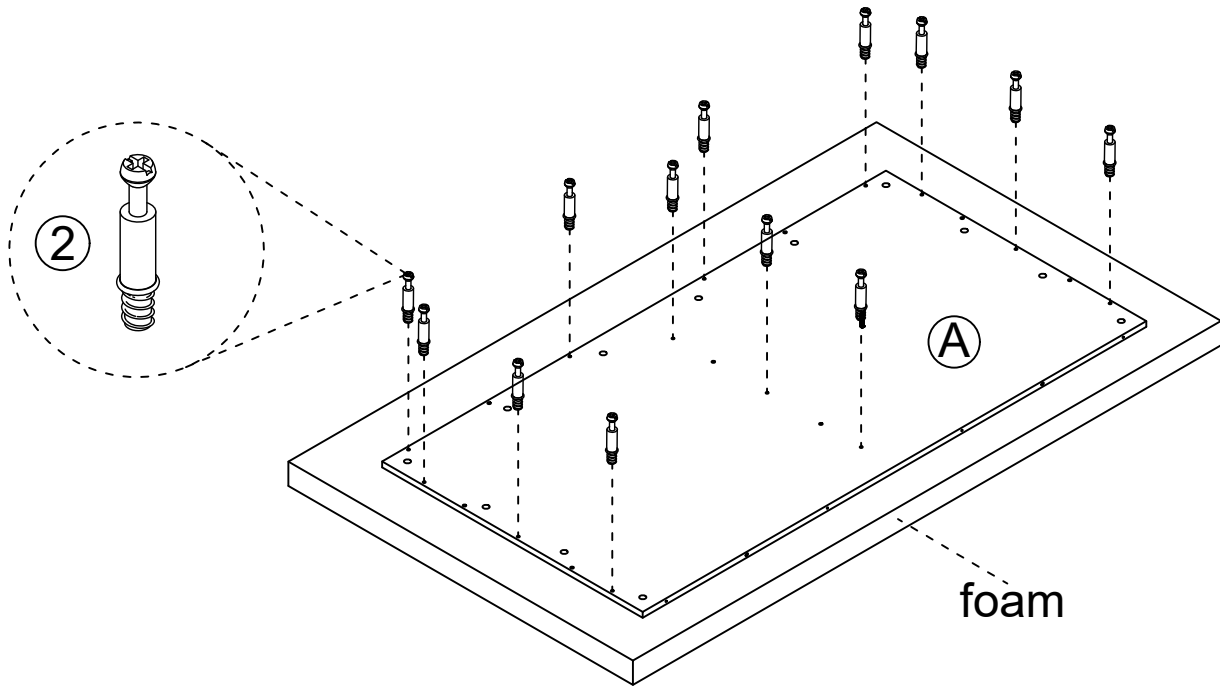


Proper orientation of CAM LOCK

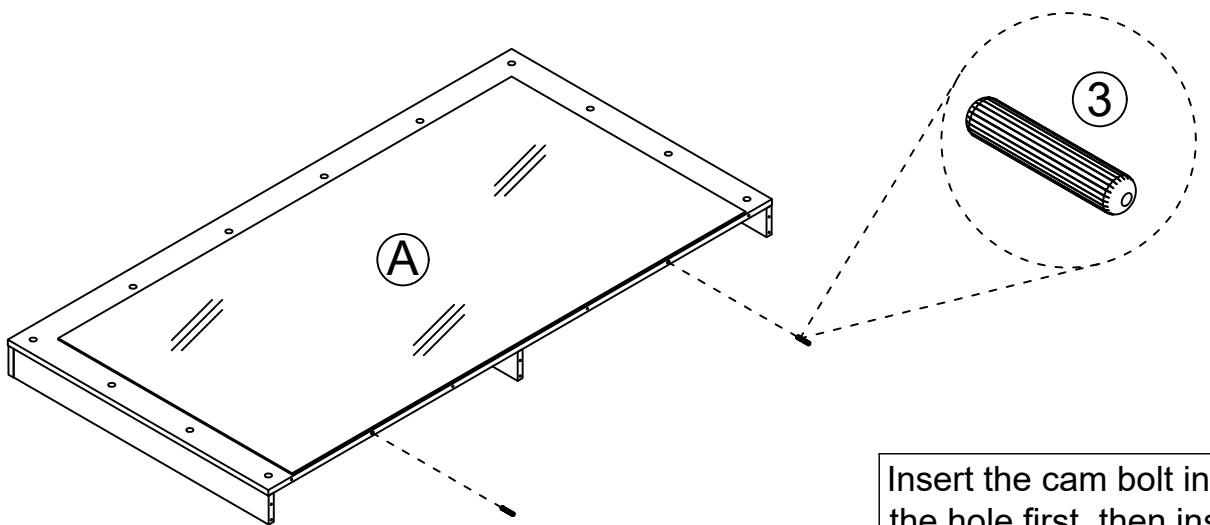
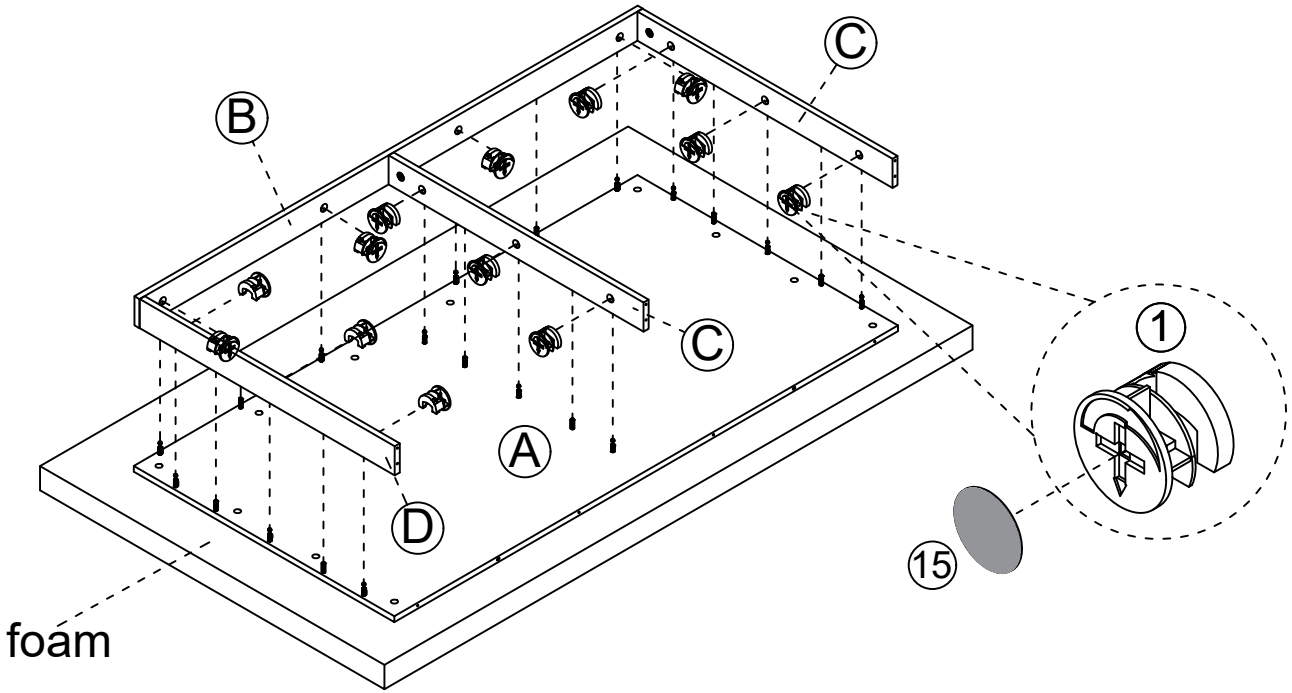
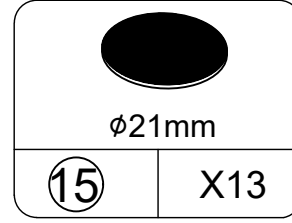
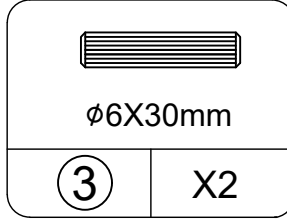
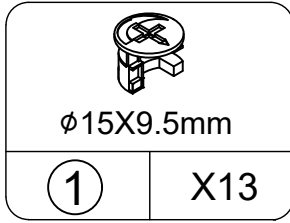
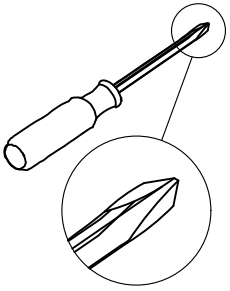
STEP22



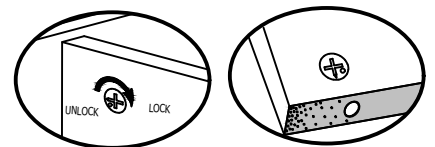
To avoid scratching the mirror surface, please place the board A on the foam before installation.



STEP23

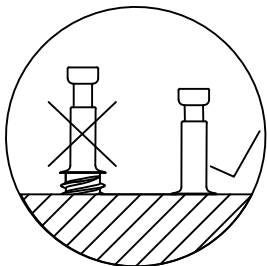
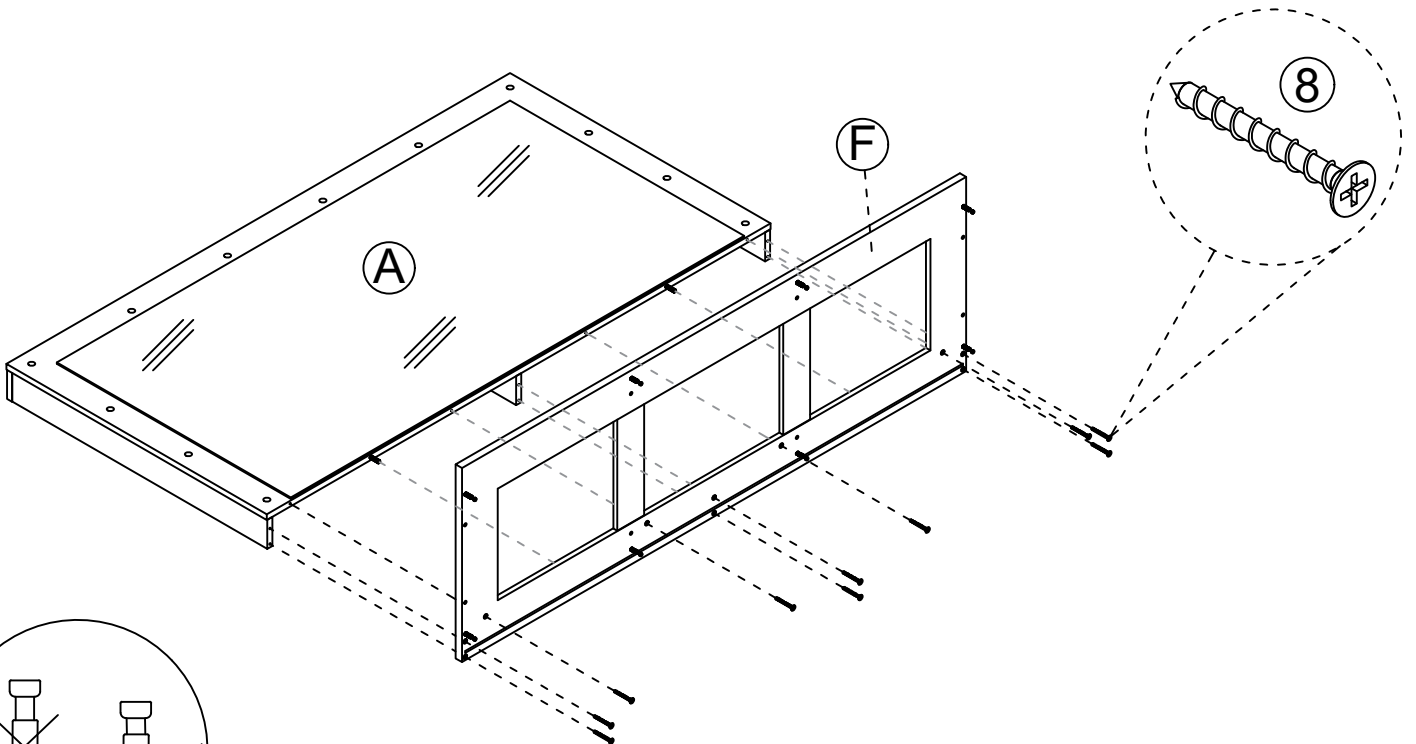
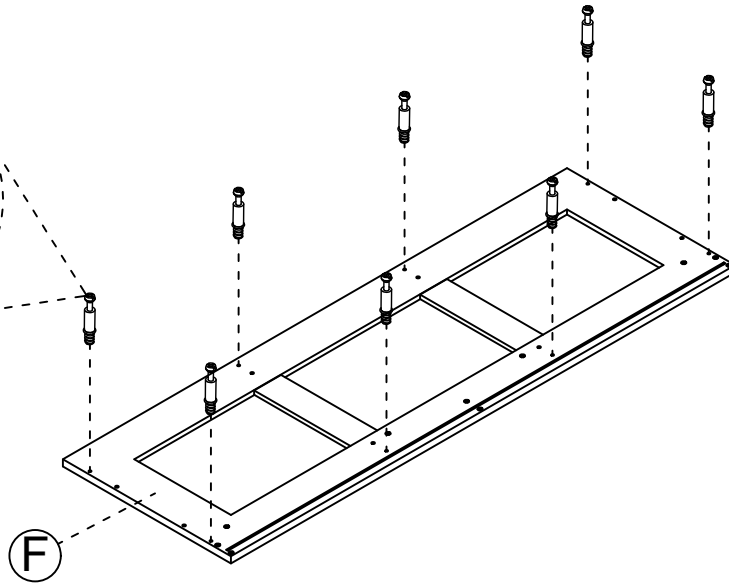
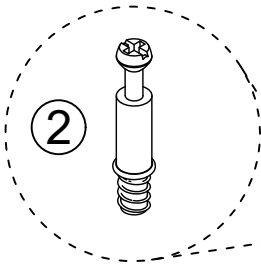
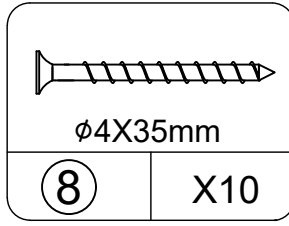
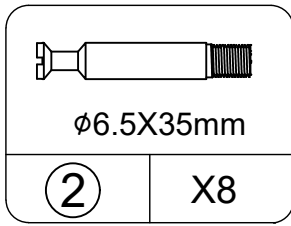
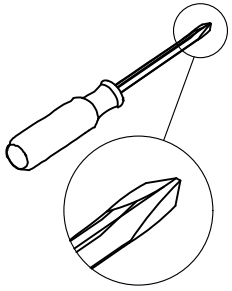


Insert the cam bolt into the hole first, then insert the cam lock and lock it.

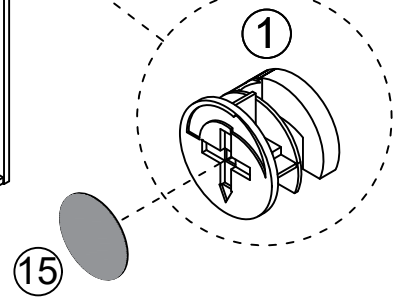
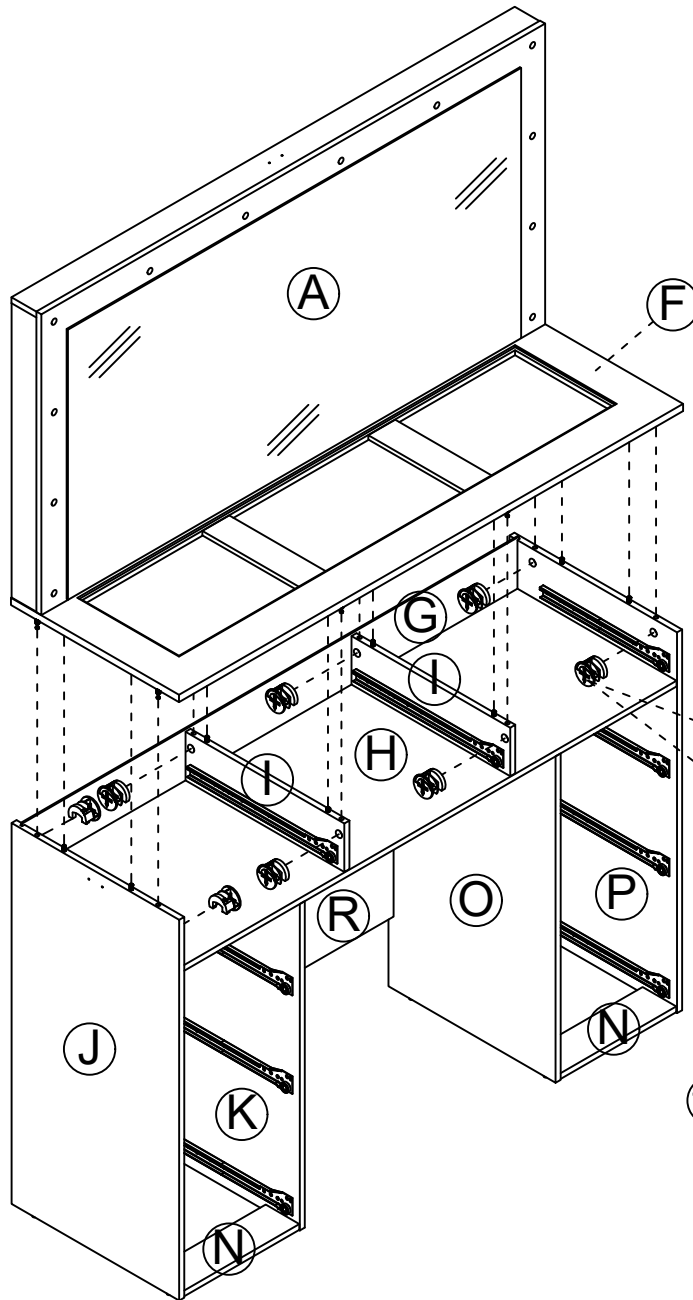
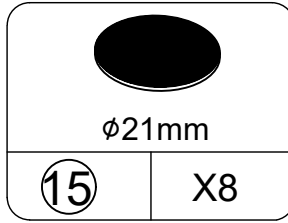
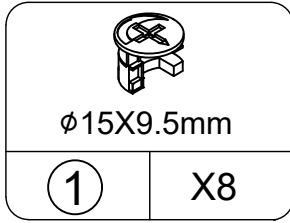
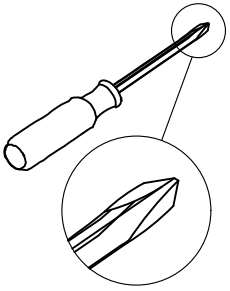


Proper orientation of CAM LOCK

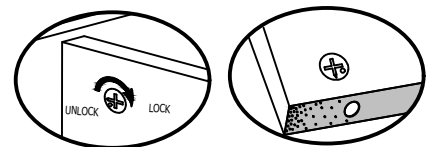
STEP24



STEP25

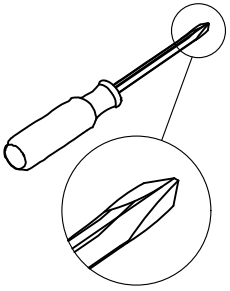


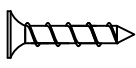
Insert the cam bolt into the hole first, then insert the cam lock and lock it.





Proper orientation of CAM LOCK

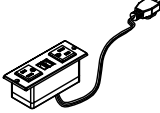
STEP 26

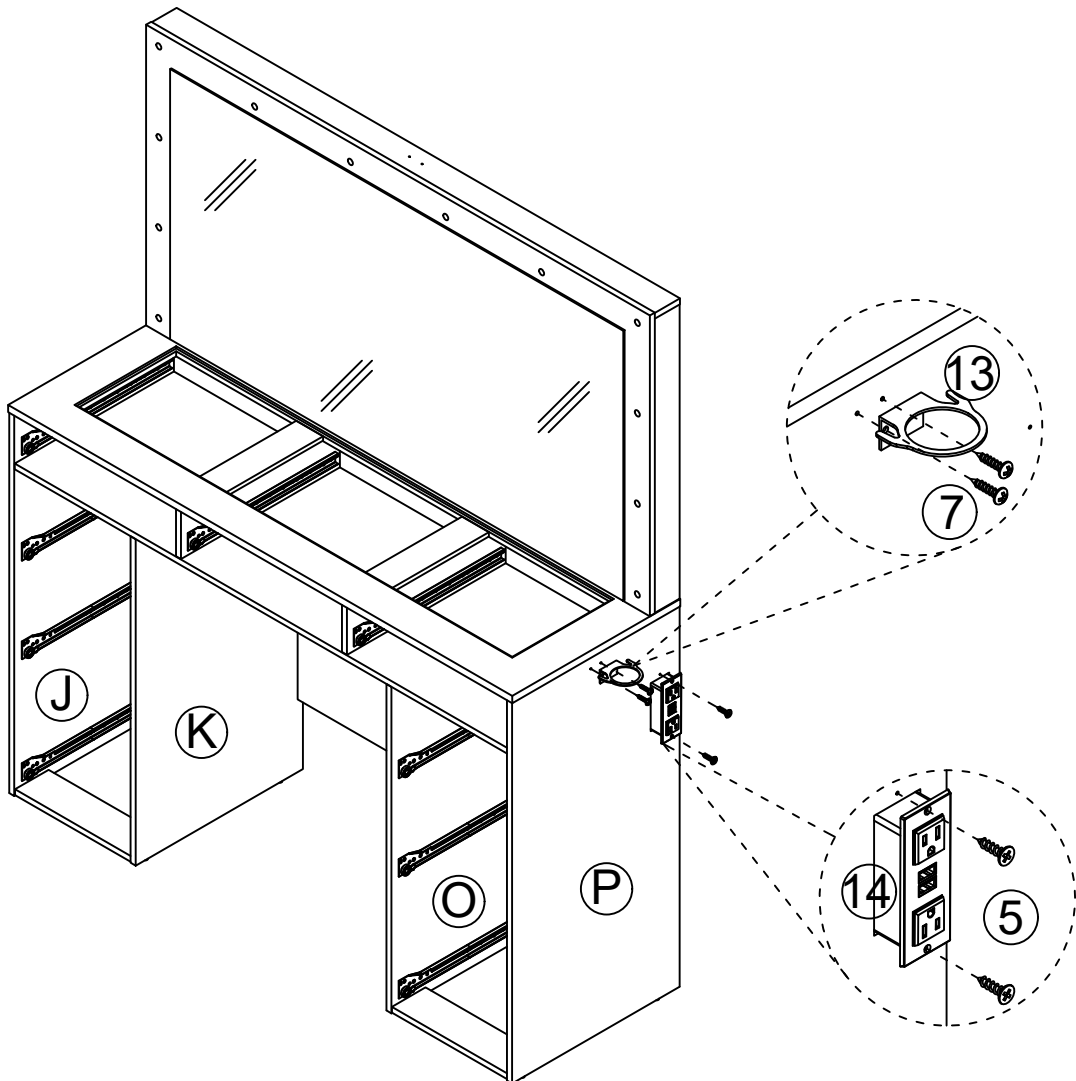


 ø3X12mm	
5	X2

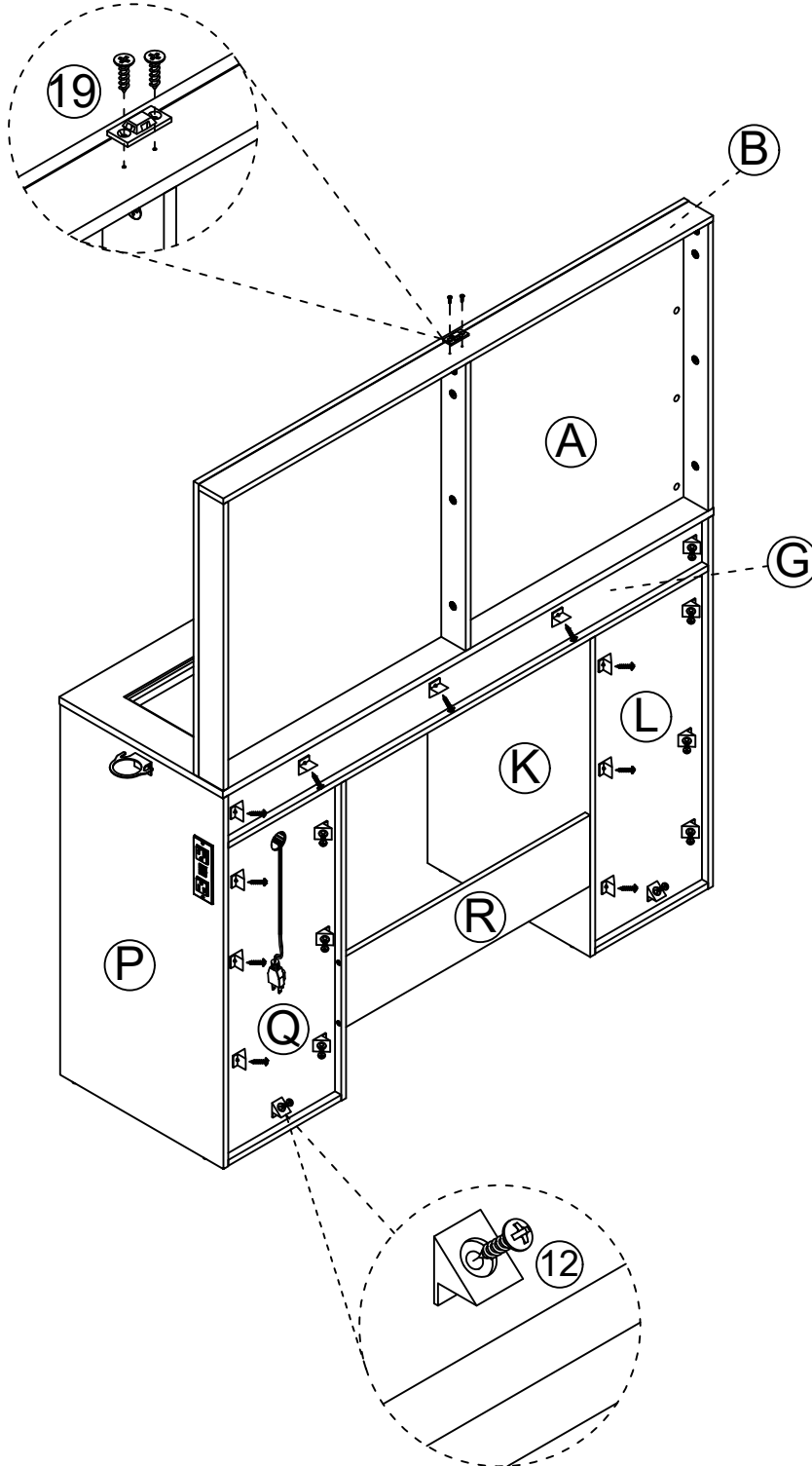
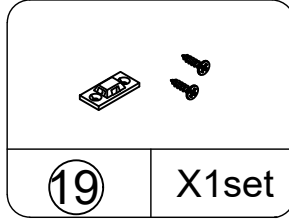
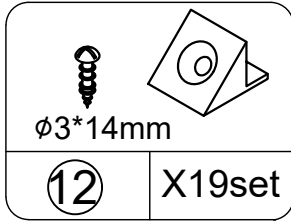
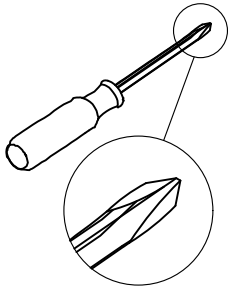
 ø4X12mm	
7	X2

 109X99X38.5mm	
13	X1

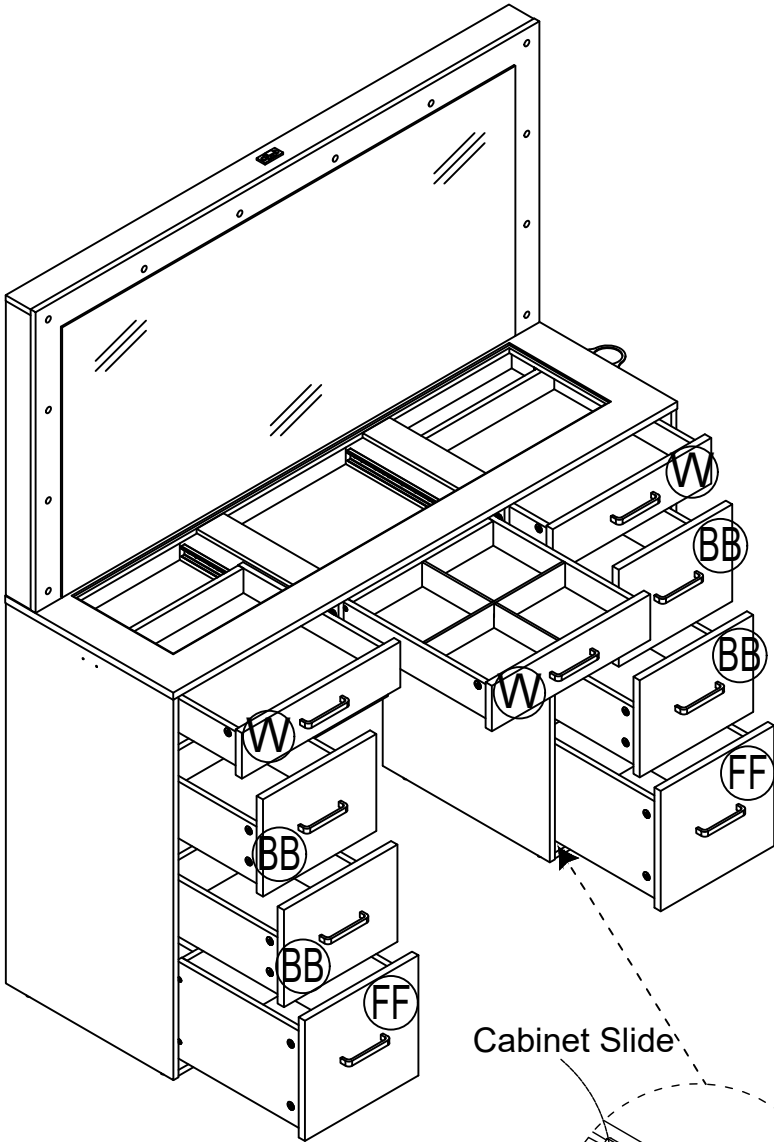
 125X45X43mm	
14	X1



STEP27



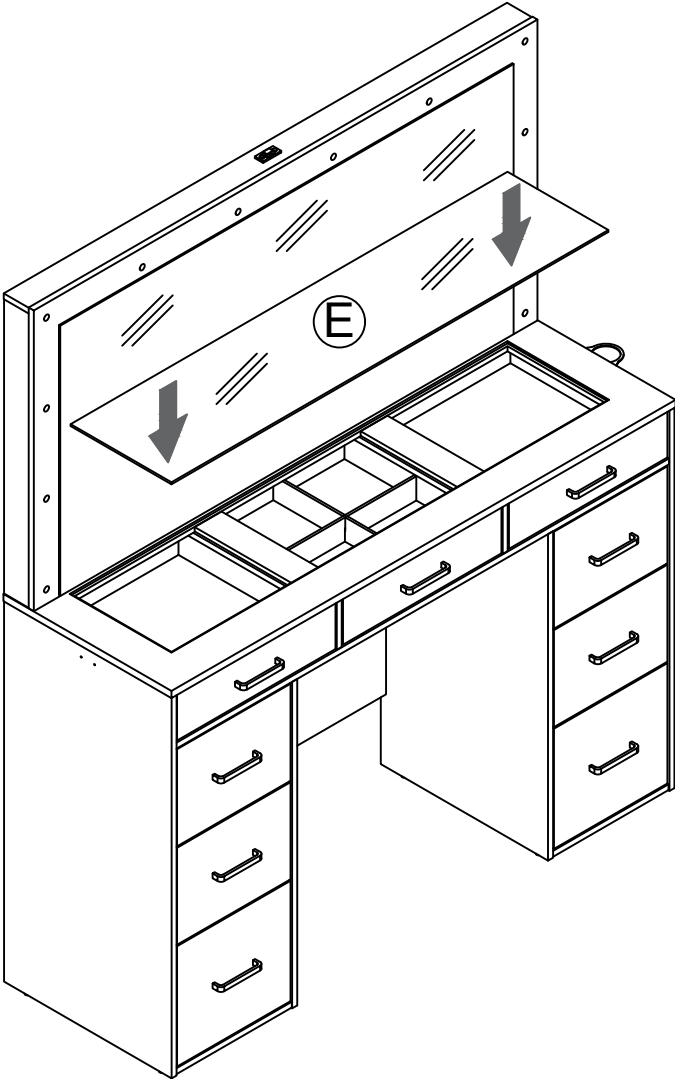
STEP28



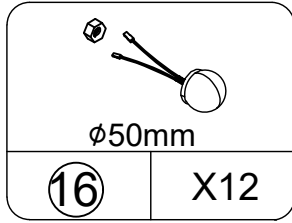
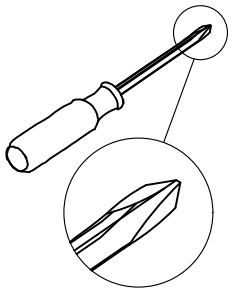
Cabinet Slide

Drawer Slide

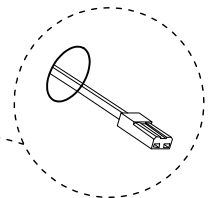
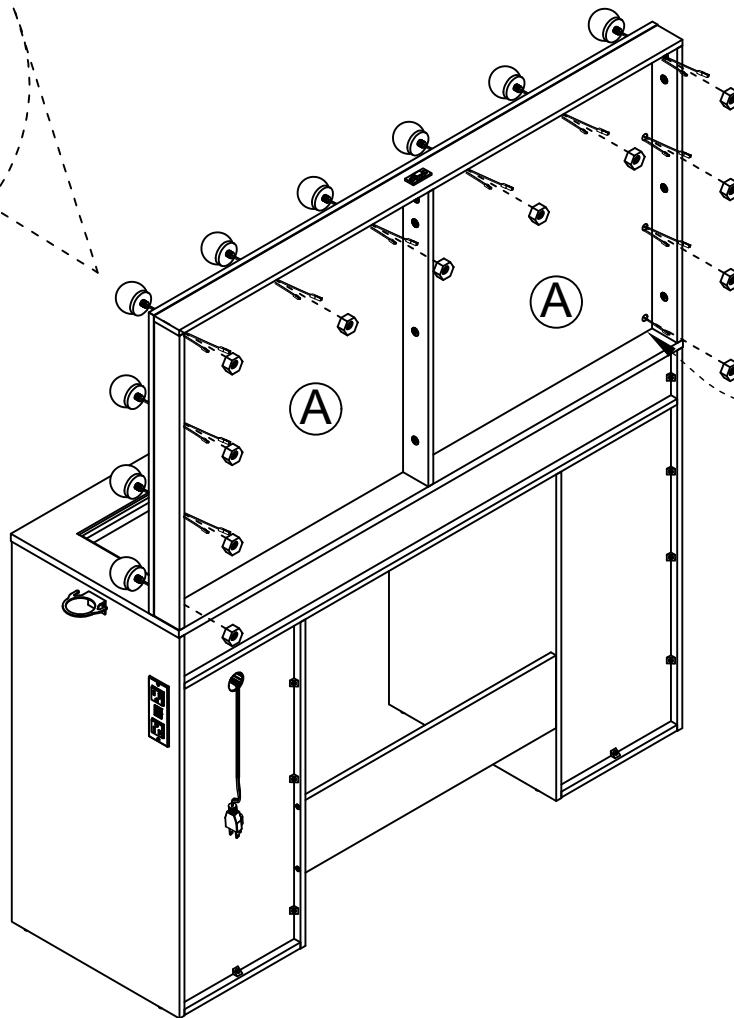
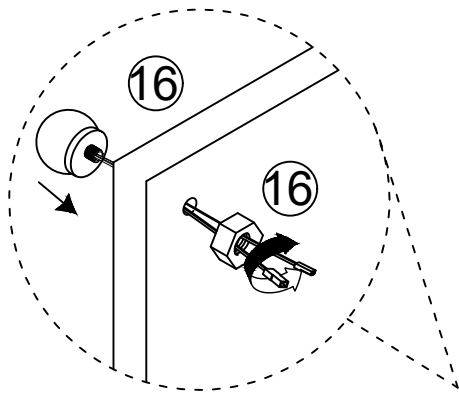
STEP29



STEP30



Thread the bulb wire through the board A and tighten it with a plastic nut.



Note: The bulb with one wire is installed in the first hole.

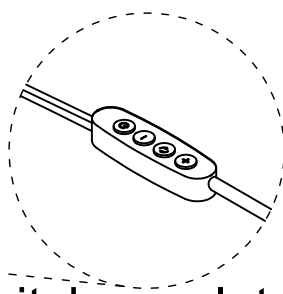
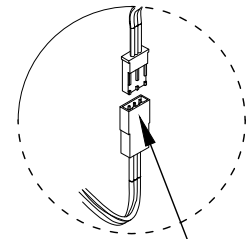
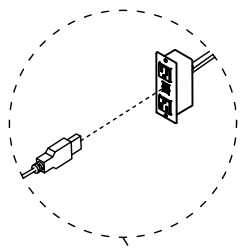
STEP31

Pass the bulb wire through the pre punched plate, then gently press the bulb and make it adhere to the plate, and then connect the adjacent bulbs successively through the wire head slot on the opposite side (corresponding to the line of the same color).

When connecting the interface, please note that the colors of the wires at both ends correspond one by one.

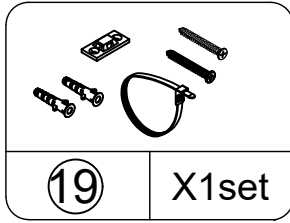
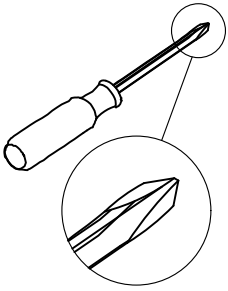
same color correspond

press one end to unplug the other port



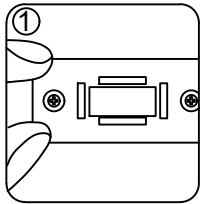
Switch regulator

STEP32

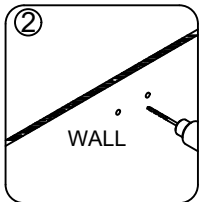


NOTE:The tipping restraint hardware included is for wooden stud wall construction. It must be attached to a wall stud. Depending upon your wall construction different anchor hardware may be required. Please contact your local hardware store for assistance. Young children can be seriously injured by tipping furniture. You must install the tipping restraint hardware with the unit to prevent the unit from tipping, causing any accidents or damage. The tipping restraints are intended only as a deterrent and are not a substitute for proper adult supervision. The tipping restraints are not earthquake restraints. If you wish to add the extra security of earthquake restraints, they must be purchased and installed separately.

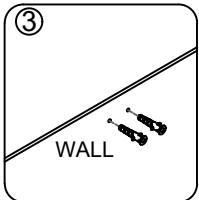
Install the tipping restraint hardware



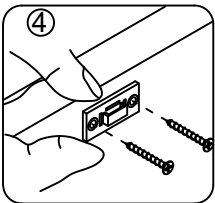
1. make mark on the wall



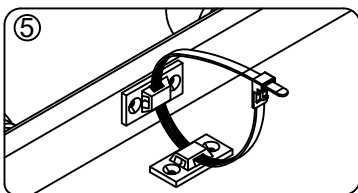
2. drill two Ø6 holes on the wall



3. put two anchors in the holes



4. fix the device on the wall by the long screws



5. Push the cabinet close to the wall so that the two bases are close to each other, and then nylon tie to tighten it.

