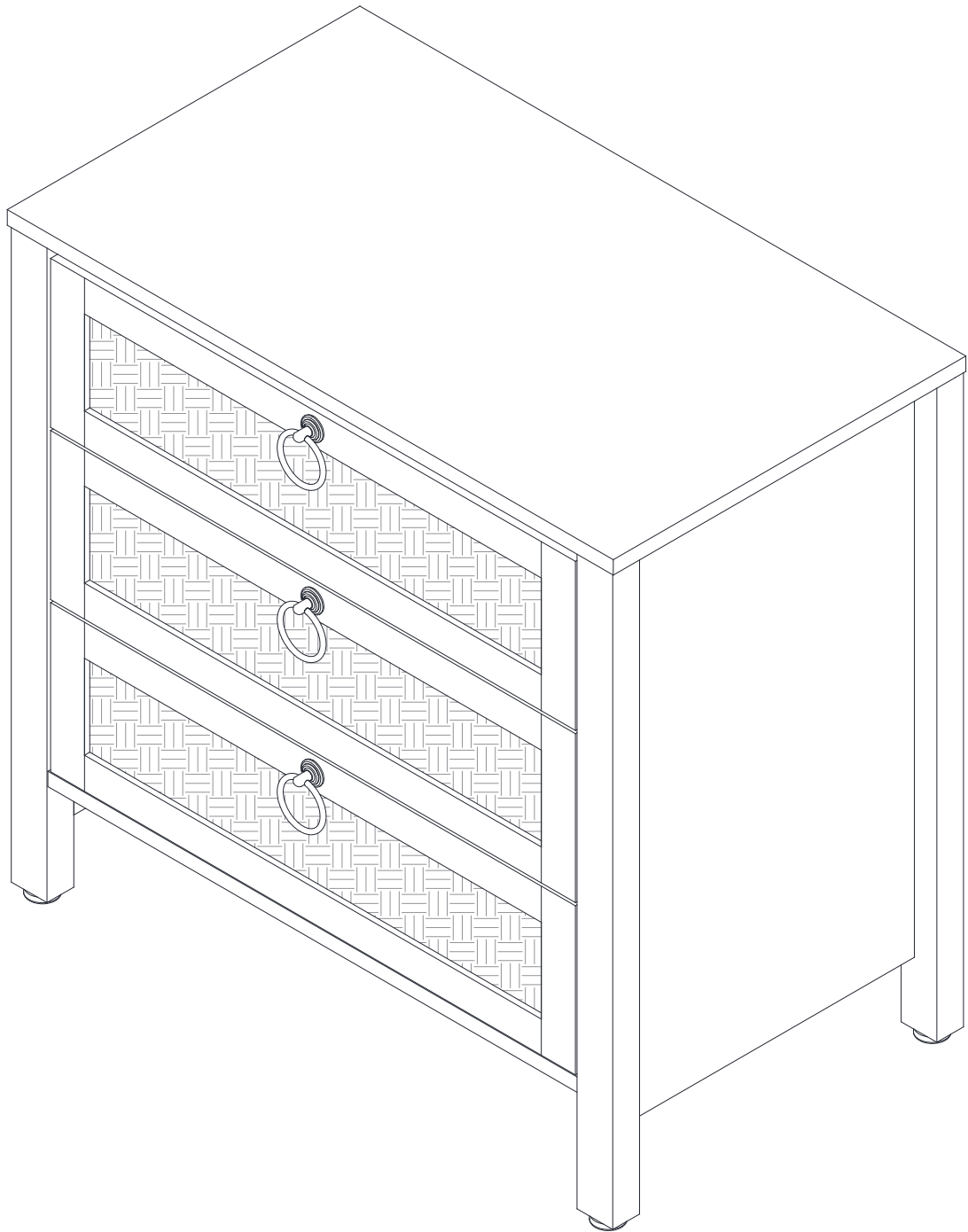


Installation & Assembly



Assembly Instructions

Before beginning the assembly process, please read and save these instructions for reference. Following these guidelines will ensure a smooth and successful assembly of your product.

1. Part Identification:

Carefully separate and identify all the parts included in your package. Confirm that you have all the components listed in the instruction manual. This step will help you avoid any missing or misplaced parts during assembly.

2. Work Surface:

To prevent any scratches or damage to the product, assemble it on a soft mat or a similar protective surface. This will provide a cushioned area for the components and protect the surfaces from unwanted marks.

3. Step-by-Step Assembly:

Follow the assembly instructions provided, proceeding one step at a time. Take care to understand each step properly before proceeding to the next one. This sequential approach ensures that the assembly is done correctly and minimizes the chance of errors.

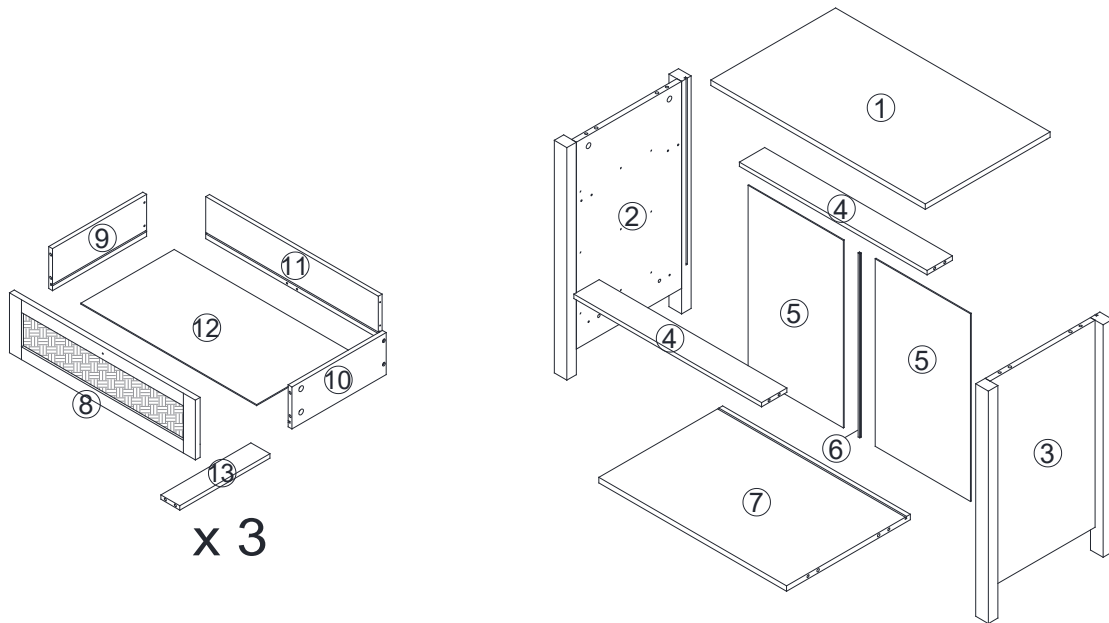
4. Proper Screw Seating:

When attaching screws and nuts, it is essential not to fully tighten them until all screws are correctly seated. By partially tightening each screw and nut initially, you can ensure that they are aligned properly and fit securely before final tightening.


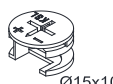


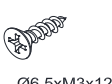
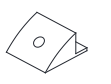
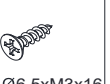







5. Avoid Over-Tightening:

While each screw and nut should be tightened correctly, it is crucial not to over-tighten them. Over-tightening can cause damage to the product or compromise its structural integrity. Use the appropriate amount of force to secure the components without excessive tightening.

Parts List



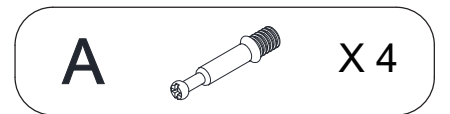
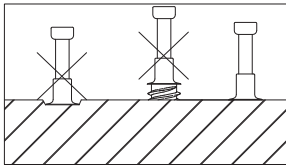
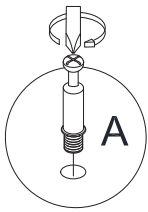
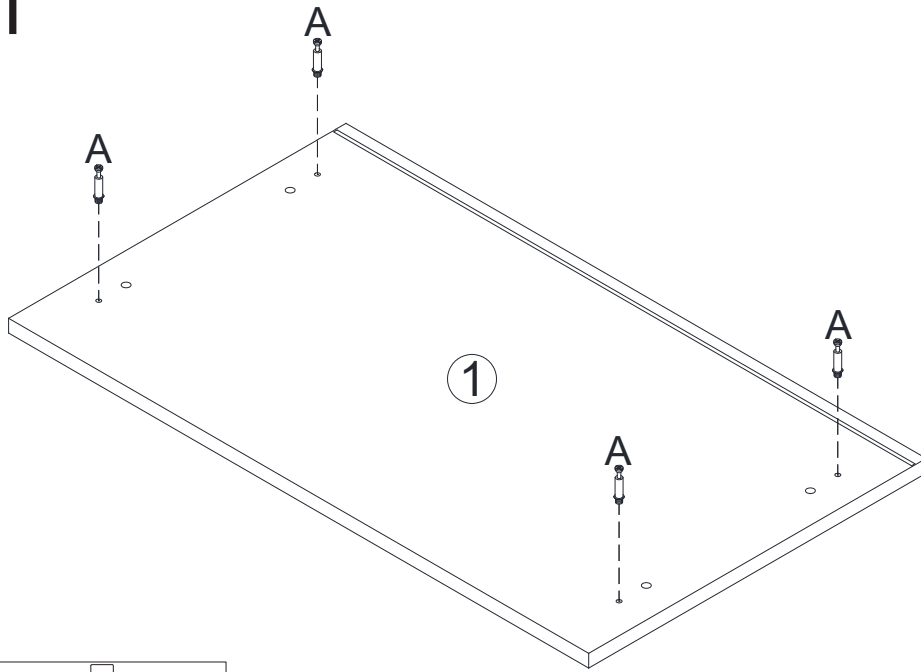
Hardware List

A x34  Ø6x35	B x34  Ø15x10	C x8  Ø8x30	D x18  Ø8xM4x35	E x36  Ø6.5xM3x12	F x10 	G x10  Ø6.5xM3x16
H x3 	I x3  M4x18	J x4 	CL x3  300mm	CR x3  300mm	DL x3  300mm	DR x3  300mm

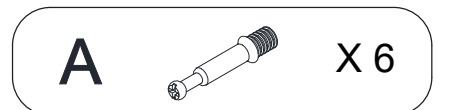
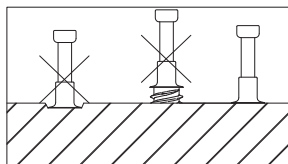
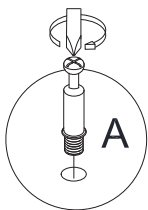
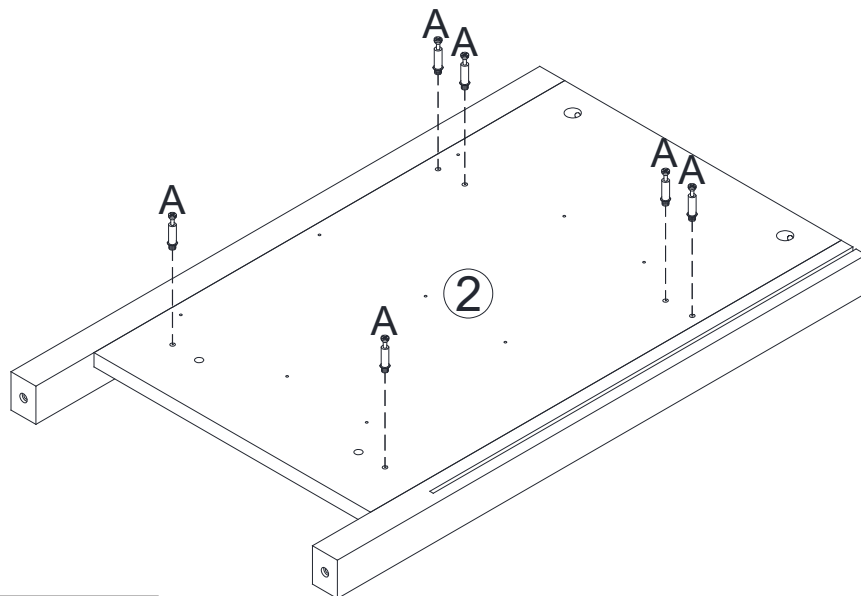
Code	Description	Quantity
A	Cam bolt	34+2
B	Cam lock	34+2
C	Wooden dowel	8+2
D	M4x35MM Screw	18+2
E	M3x12MM Screw	36+2
F	Back clip	10+2
G	M3x16MM Screw	10+2

Code	Description	Quantity
H	Handle	3
I	M4x18MM bolt	3
J	Adjusting the footrest	4
CL	300mm Drawer runner set	3
CR	300mm Drawer runner set	3
DL	300mm Drawer runner set	3
DR	300mm Drawer runner set	3

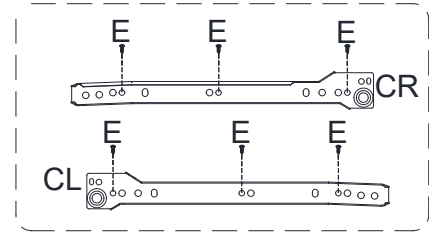
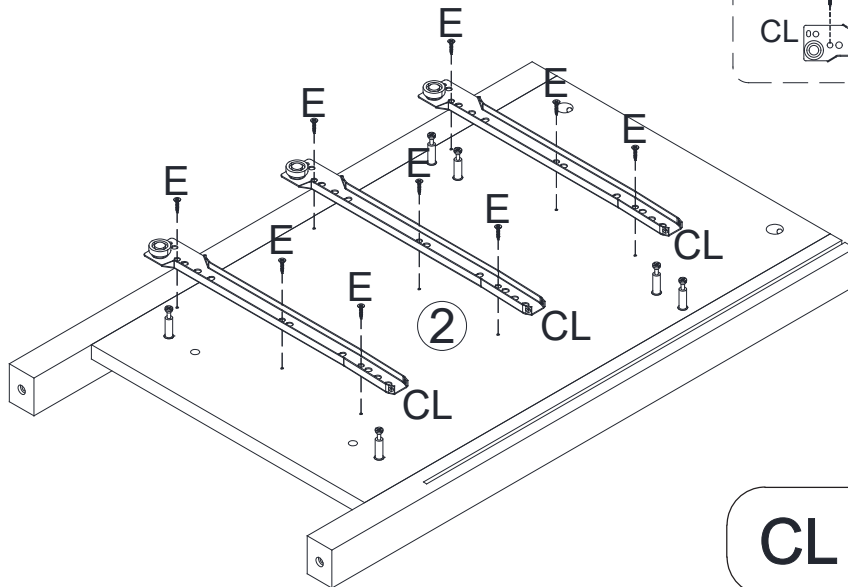
Step 1





Step 2

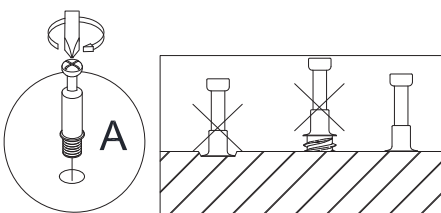
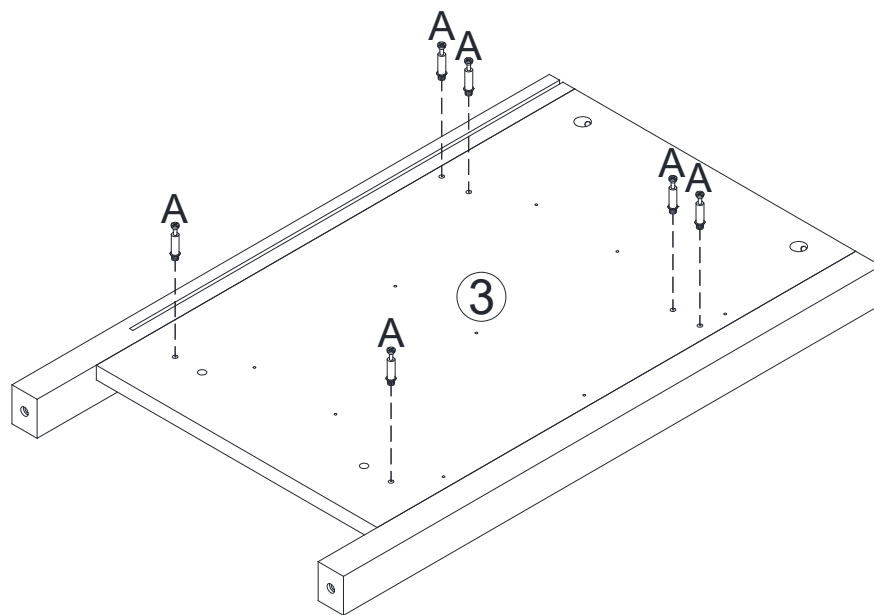


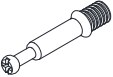
Step 3



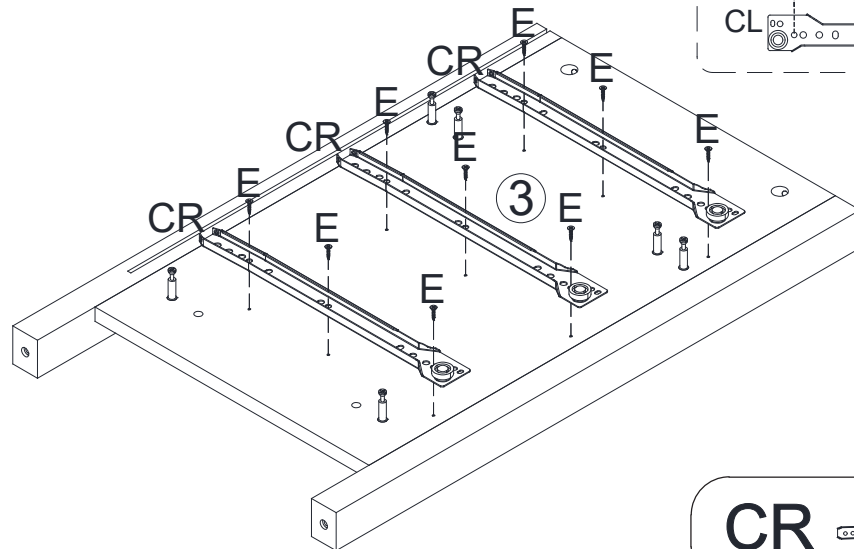
- CL  X 3
- E  X 9


Step 4



- A  X 6

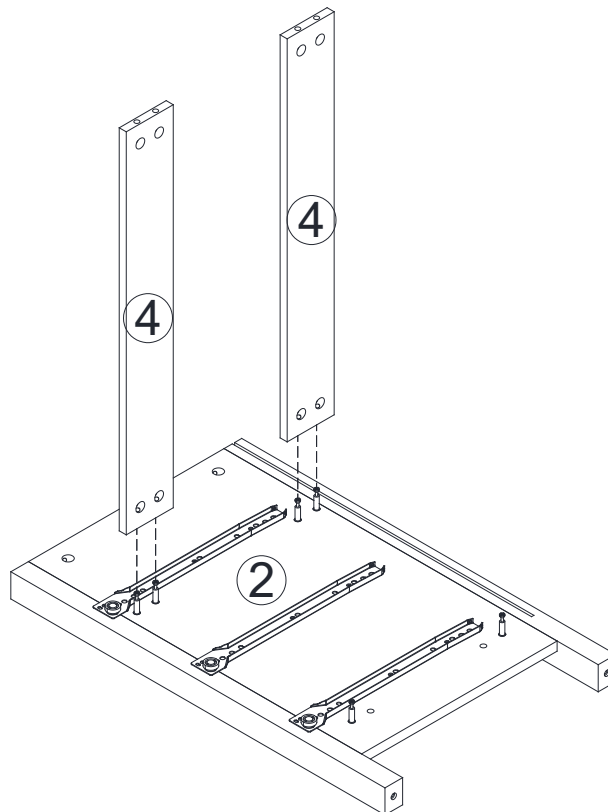
Step 5



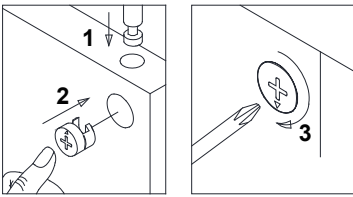
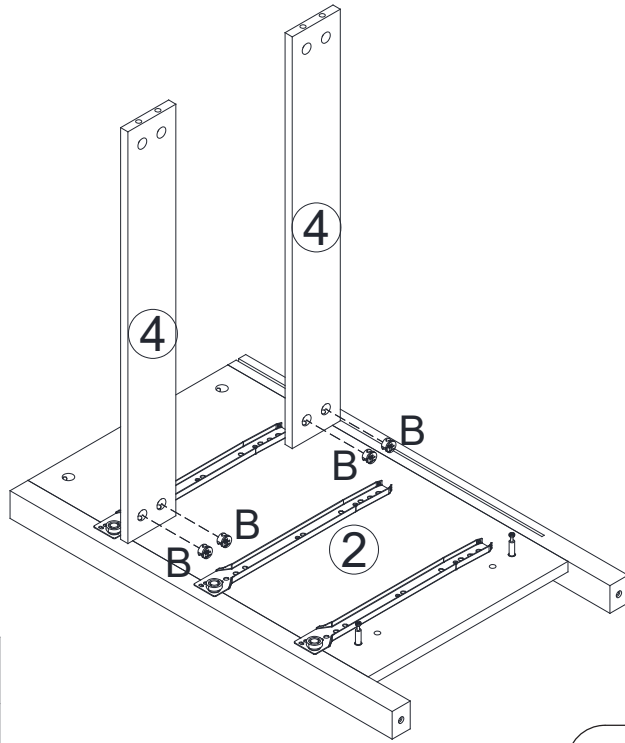
CR  X 3

E  X 9

Step 6



Step 7

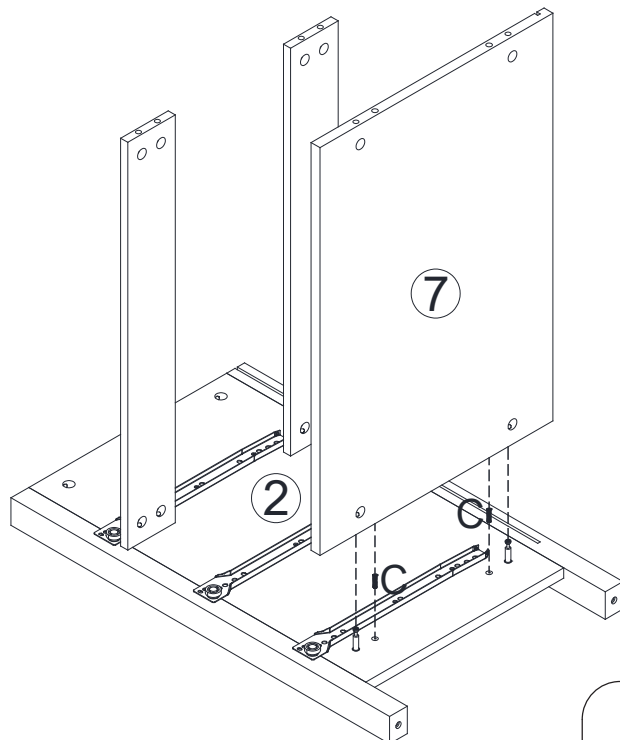


B



X 4

Step 8

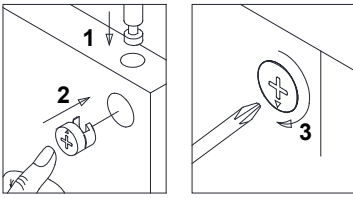
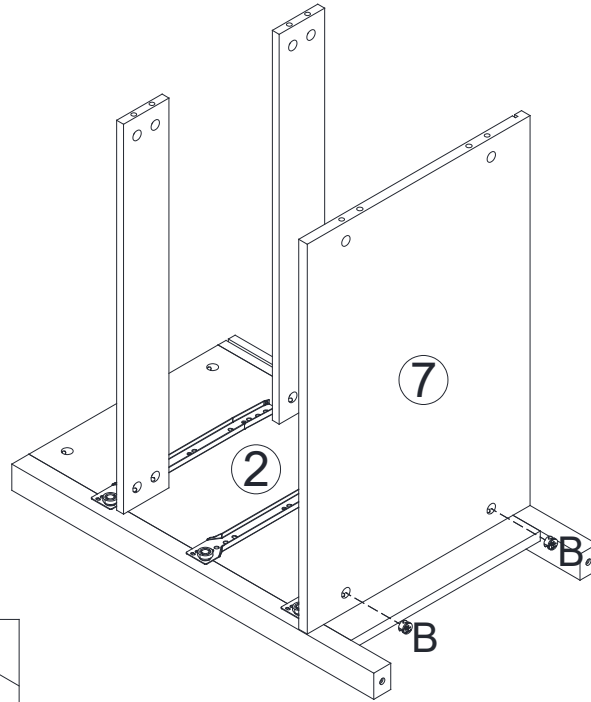


C



X 2

Step 9

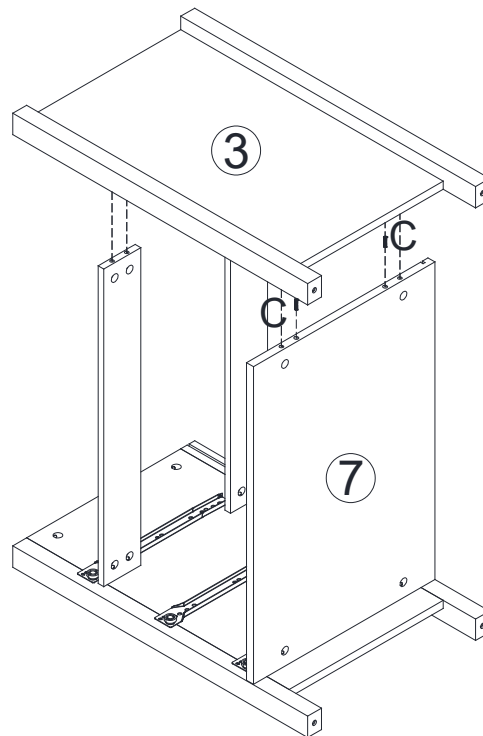


B



X 2

Step 10

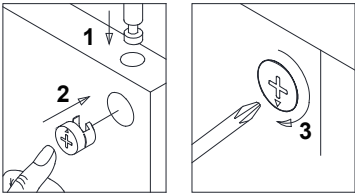
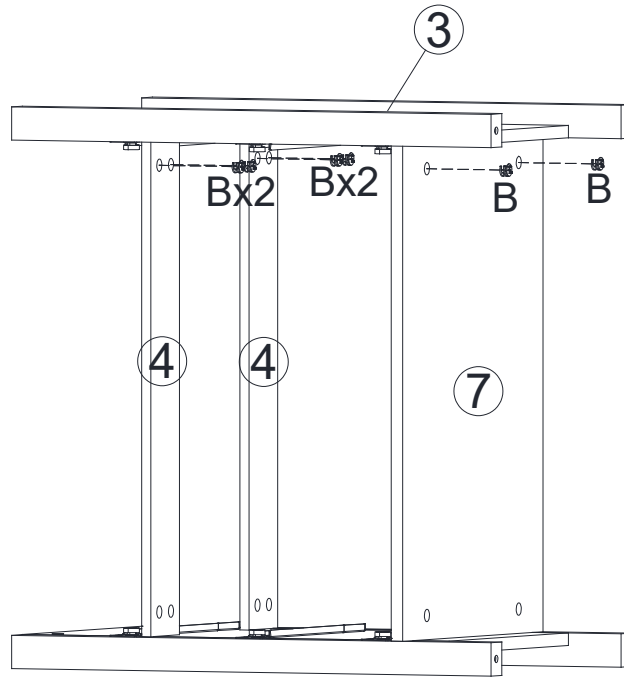


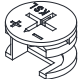
C



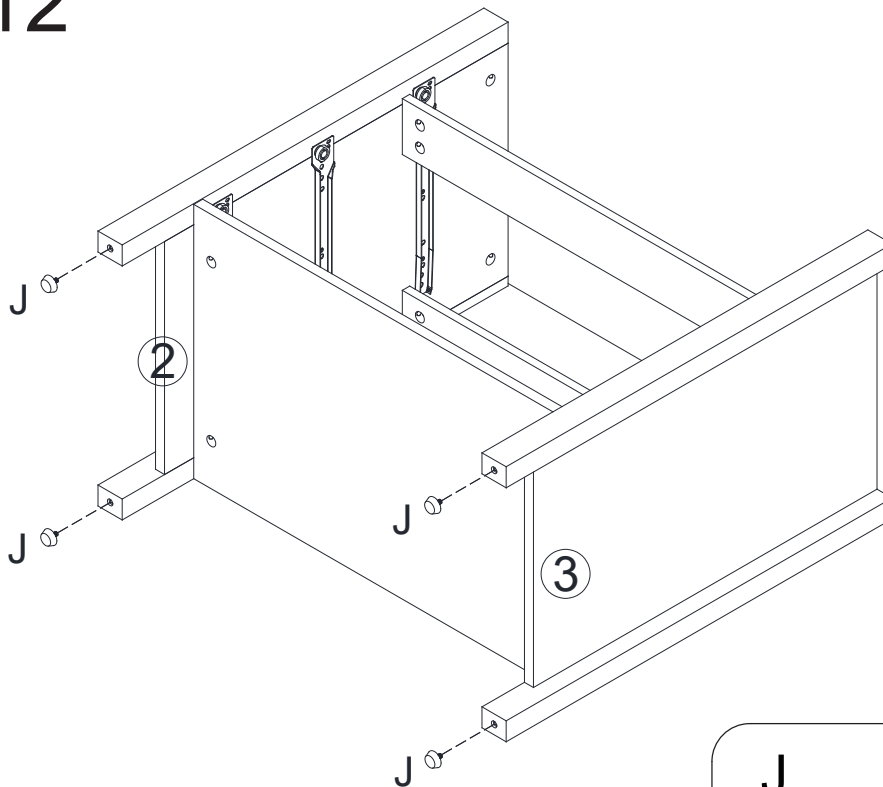
X 2


Step 11



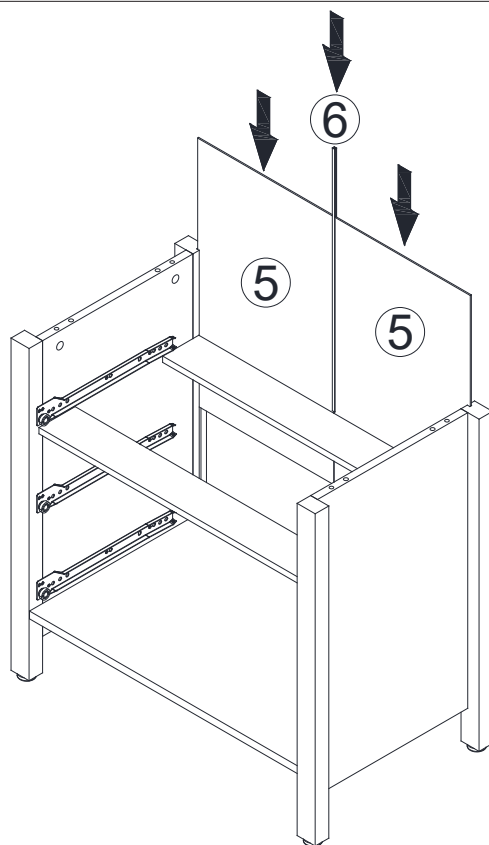
B  **X 6**

Step 12

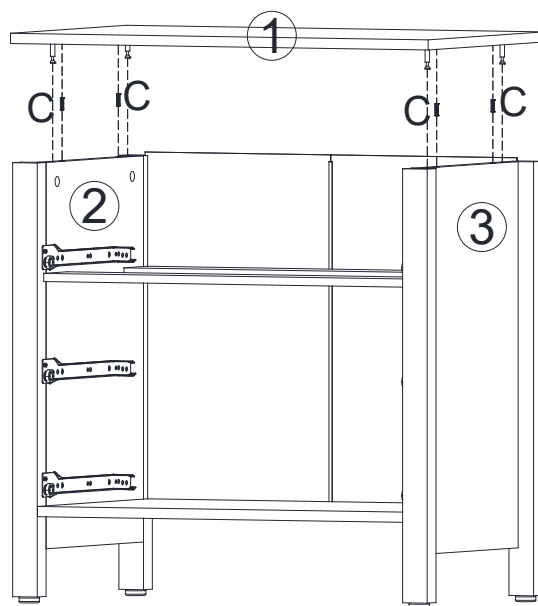


J  **X 4**

Step 13



Step 14

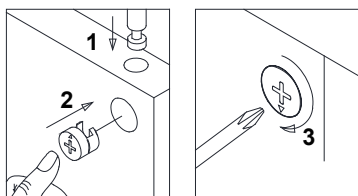
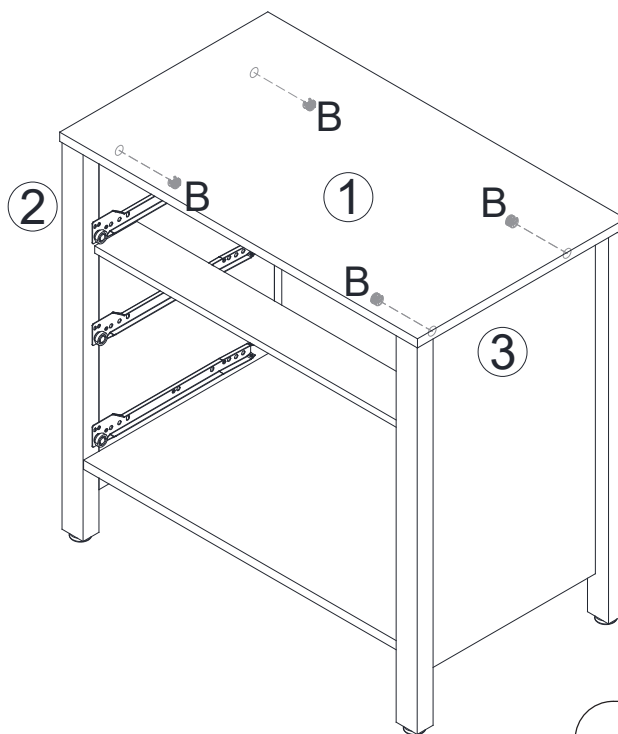


C



X 4

Step 15

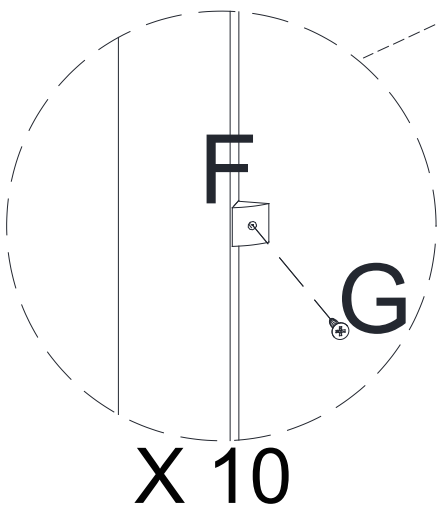
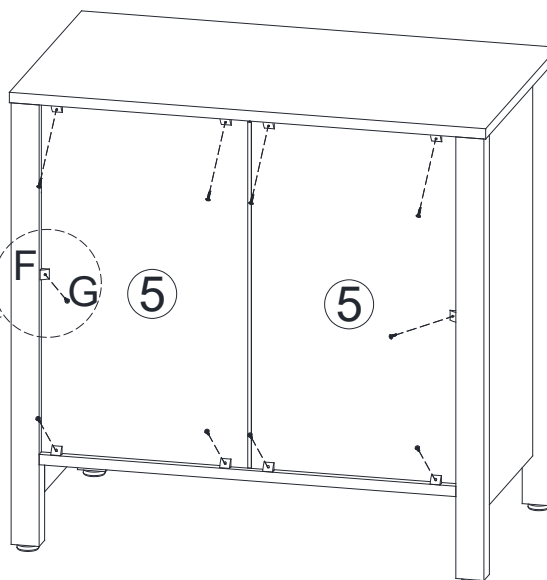


B



X 4

Step 16



X 10

F



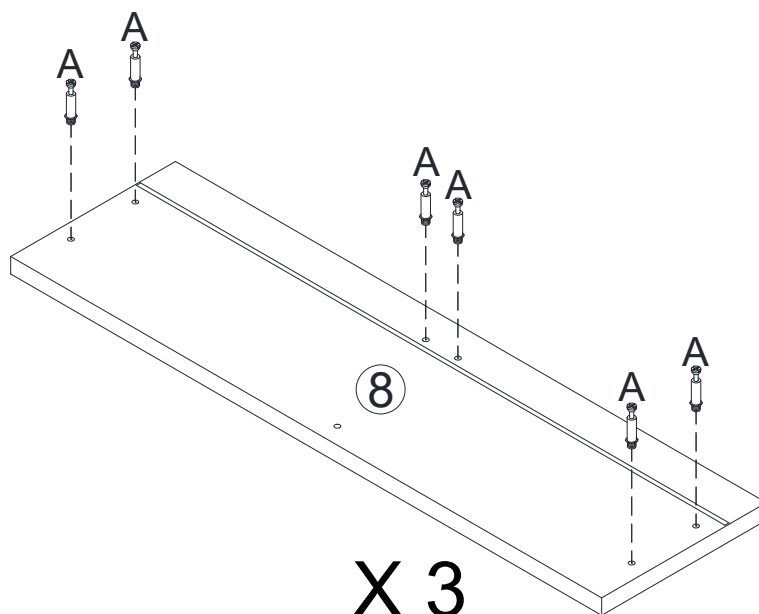
X 10

G

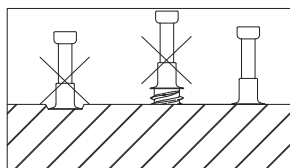
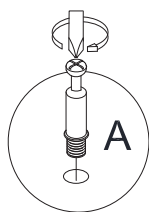


X 10

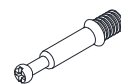
Step 17



X 3

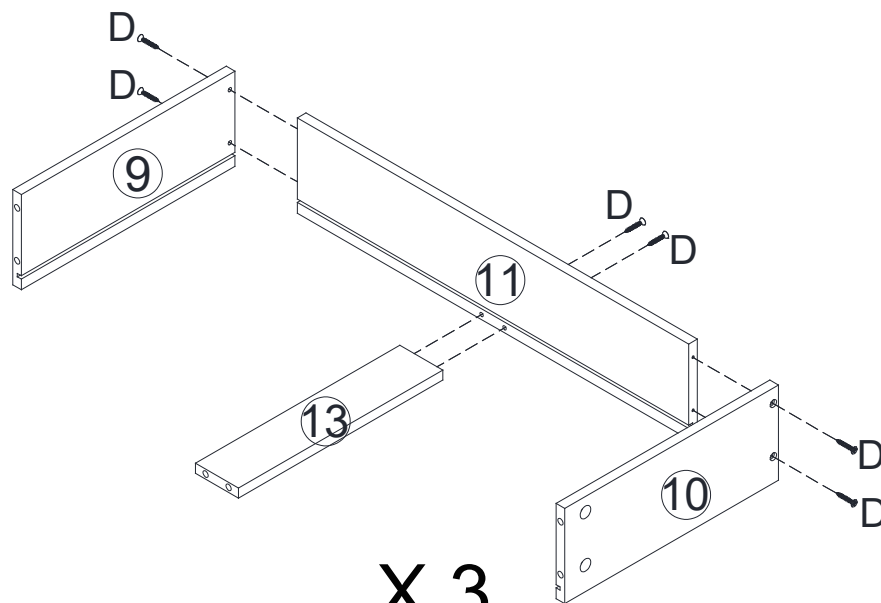


A



X 18

Step 18



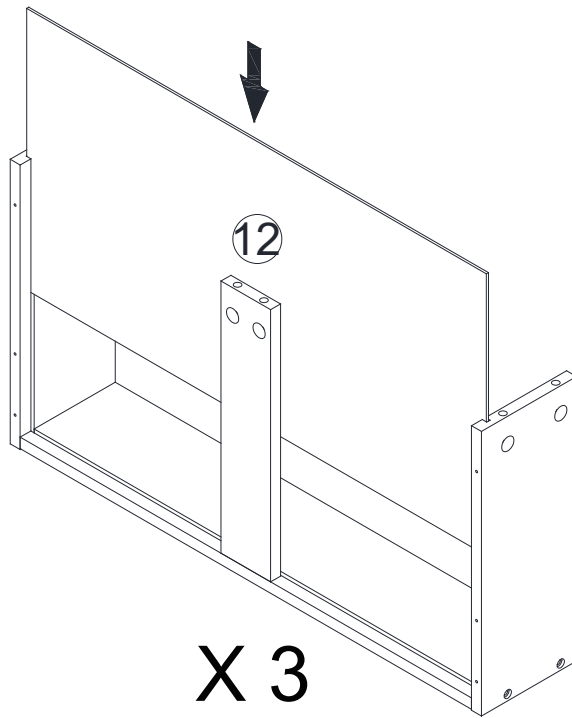
X 3

D

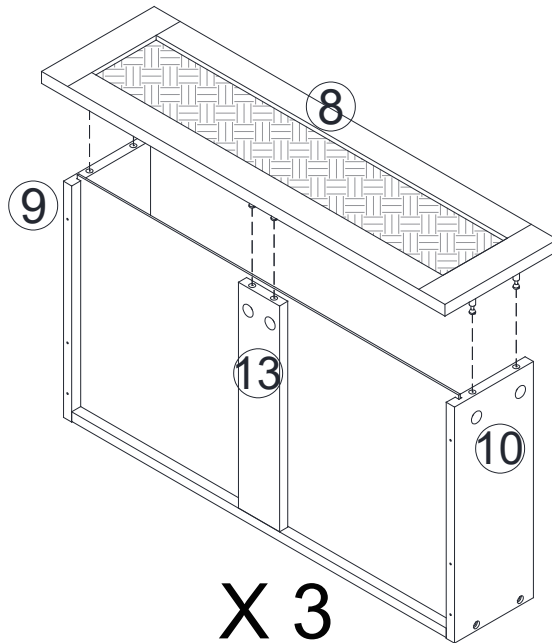


X 18

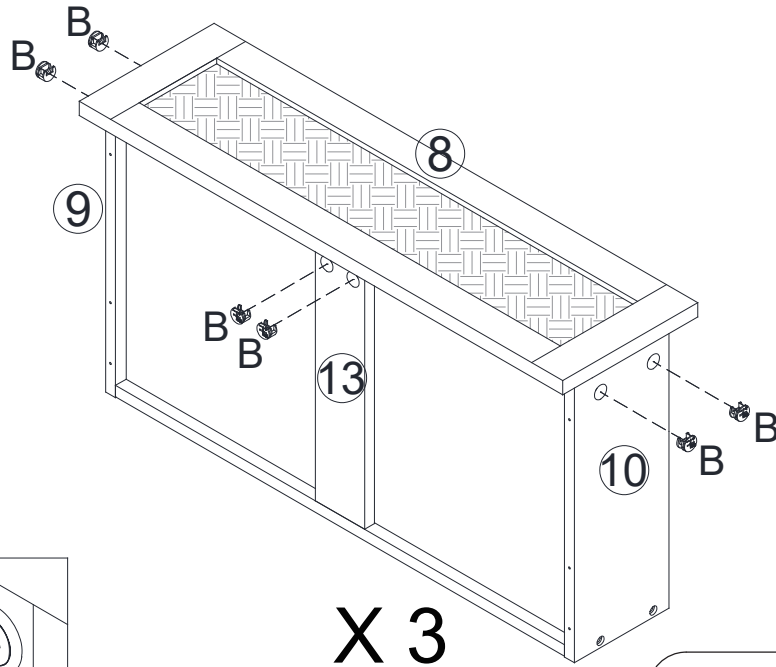
Step 19



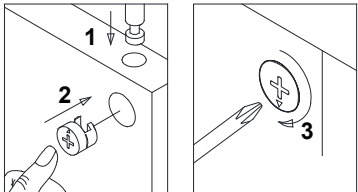
Step 20

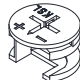


Step 21

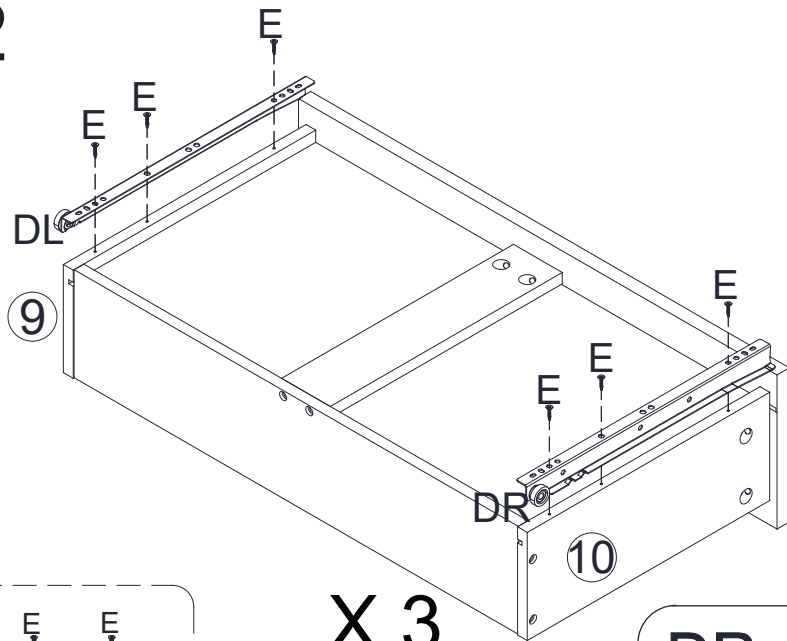


X 3

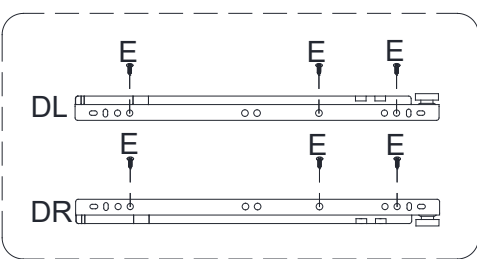



B  X 18


Step 22




X 3

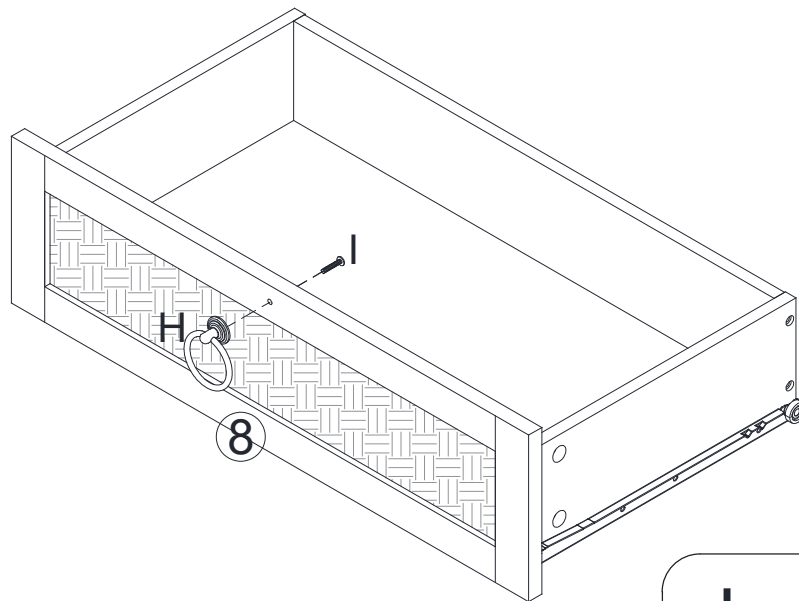


DR  X 3

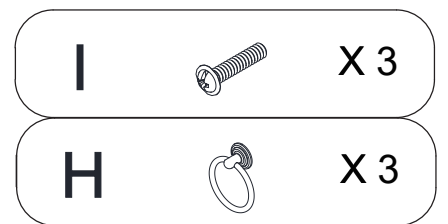
E  X 18

DL  X 3

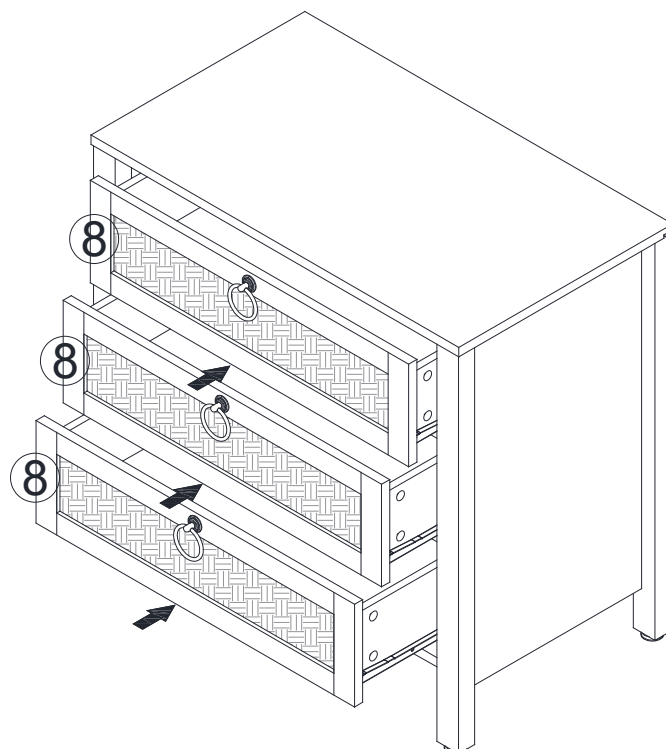
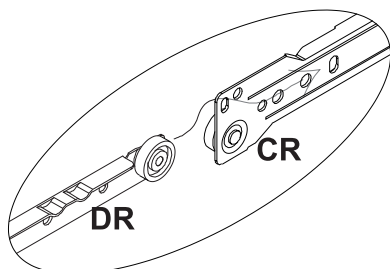
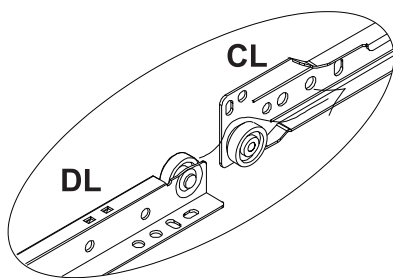
Step 23



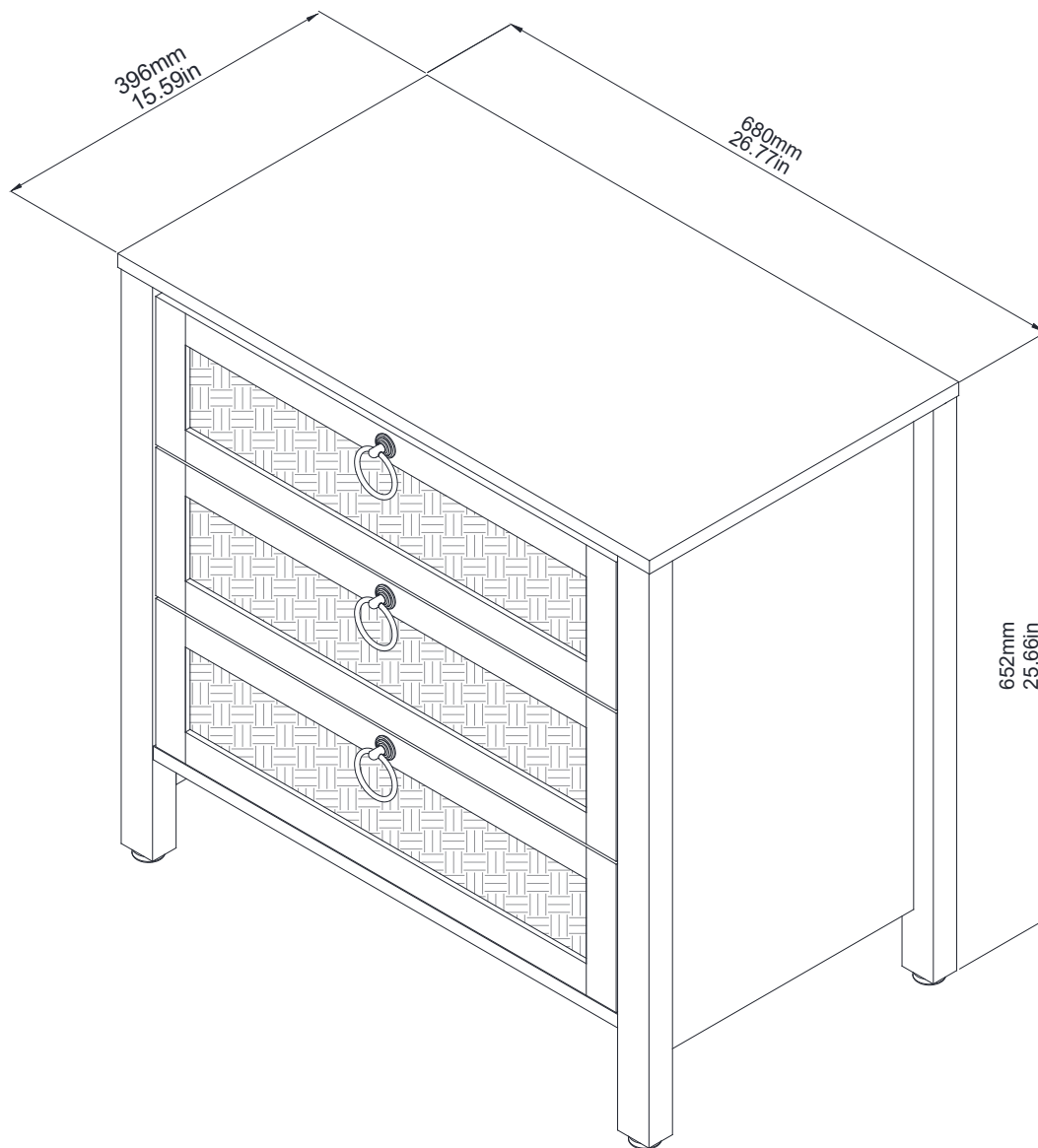
X 3



Step 24



Step 25



Final assmebly