

ASSEMBLY INSTRUCTIONS

NOTES ON ASSEMBLY

1. To ensure ease of assembly read all instructions before assembly and follow step by step illustrations.
2. Keep instructions for future use.
3. Adult assembly required. 2 person required.
4. Due to the presence of small parts during assembly, keep out of reach of children until assembly is complete.

MAINTENANCE TIPS

1. Never let liquids or damp cloths sit on this furniture.
2. Never use chemical cleaning products. They can damage the finish. For cleaning, use only a slightly damp cloth and wipe dry.
3. To avoid dulling of the finish, do not place furniture in direct sunlight.
4. Do not put plastic or rubber rings under appliances. Use cloth of felt protectors.
5. To clean, use a soft or slightly damp cloth, then wipe with a clean, dry cloth.

WARNING

Please use your furniture correctly and safely. Improper use can cause safety hazards, or damage to your furniture or household items.

Serious or fatal crushing injuries can occur from furniture tip-over.

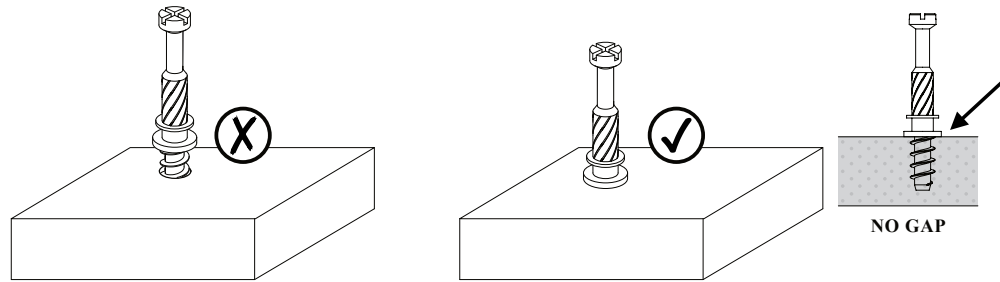
To help prevent tip-over:

1. Place heaviest items in the lowest drawers.
2. Do not set TVs or other heavy objects on the top of this product. Never allow children to climb or hang on drawers, doors, or shelves.
3. Never open more than one drawer at a time.
4. Always monitor your child's activity when in the nursery.
5. Do not allow standing in drawers.
6. Do not allow standing on top of this product.
7. Accessory Items must be securely fastened to this product according to the instructions provided with those items.
8. To avoid head injury, do not allow children to play underneath open drawers.
9. Do not leave drawers open when not in use.

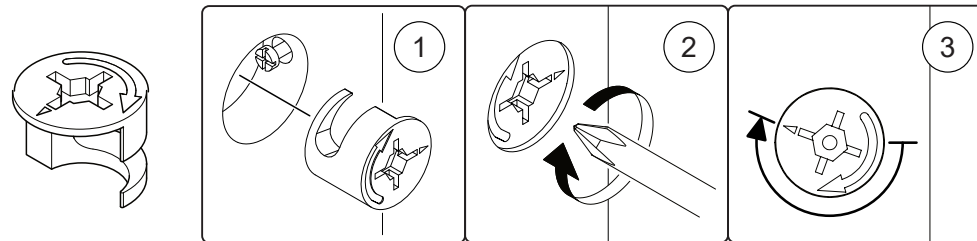
Use of tip-over restraints reduce, but does not eliminate, the risk of tip-over.

THINGS TO REMEMBER FOR ASSEMBLY

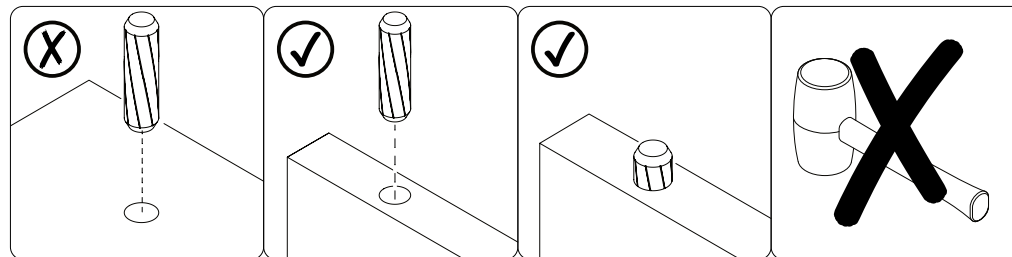
MINIFIX BOLT



MINIFIX CAM



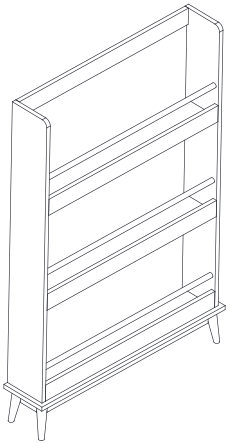
WOOD DOWEL



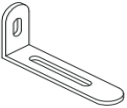



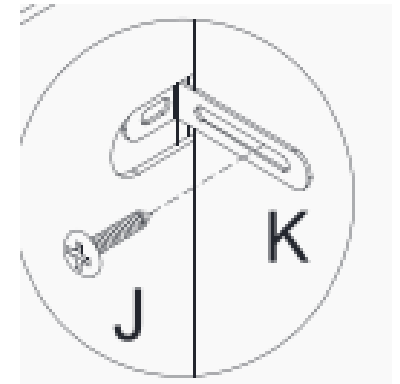
SAFETY WARNING

1. Please install the anti-tip device to avoid serious injury or death from tip-over accidents.
2. Please secure this product to the wall using the provided anti-tip kit.
3. Do not allow children to climb or hang on the furniture.



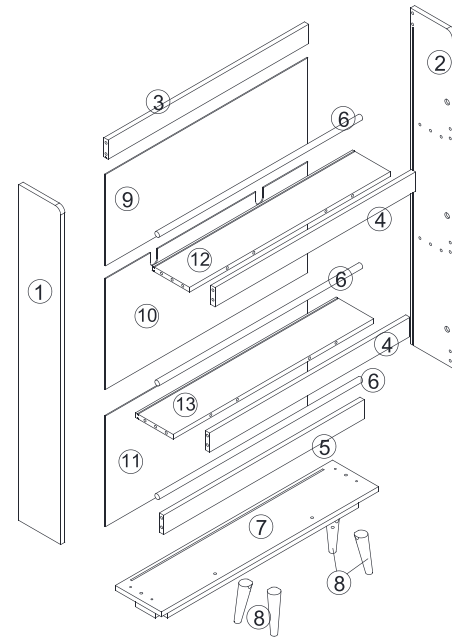
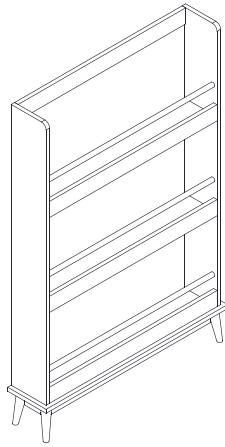
FURNITURE TIPPING RESTRAINT SEGURO














| | |
|---|--|
| Mounting L Bracket K*2 | Screw J *2 |
|  |  |



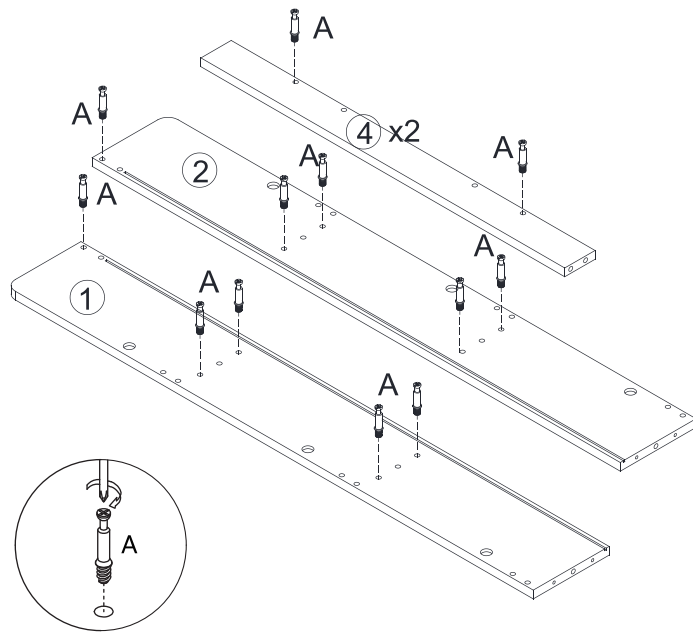
Step 5: Install the anti-tip kit according to the instructions. This is a mandatory safety step!

ASSEMBLY INSTRUCTION

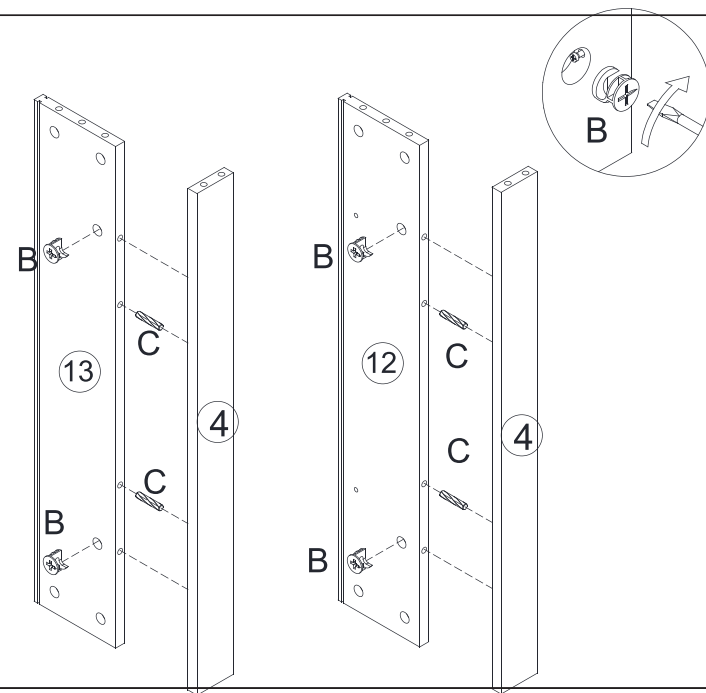


| | | | | | | |
|---|---|---|--|---|---|--|
|  A x 14 |  B x 14 |  C x 26 |  4 x 35 D x 6 |  E x 12 |  3 x 14 F x 12 |  G x 2 |
|  H x 4 |  J x 2 |  K x 2 |  L x 4 |  M x 4 |  N x 1 | |

STEP 1

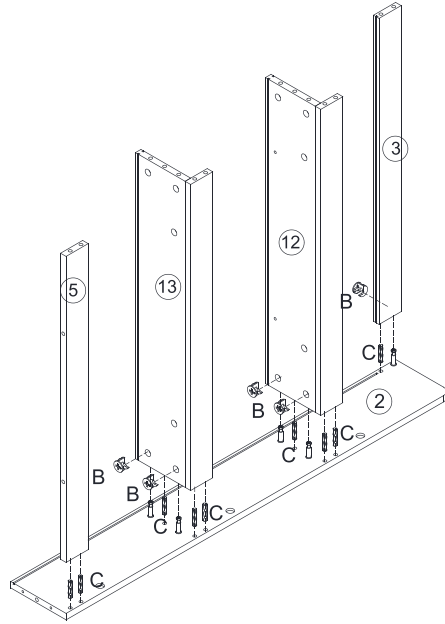


STEP 2

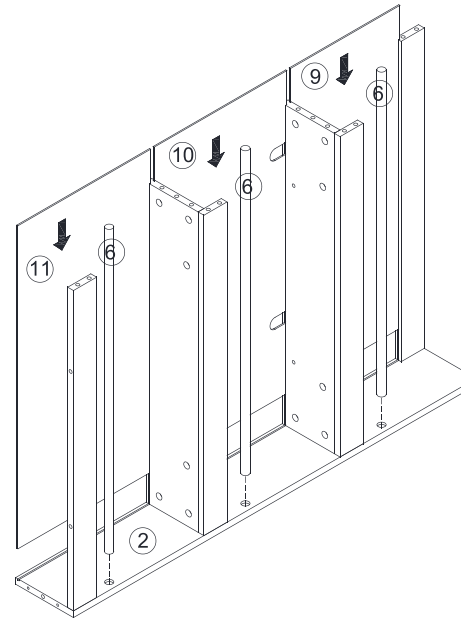


ASSEMBLY INSTRUCTION

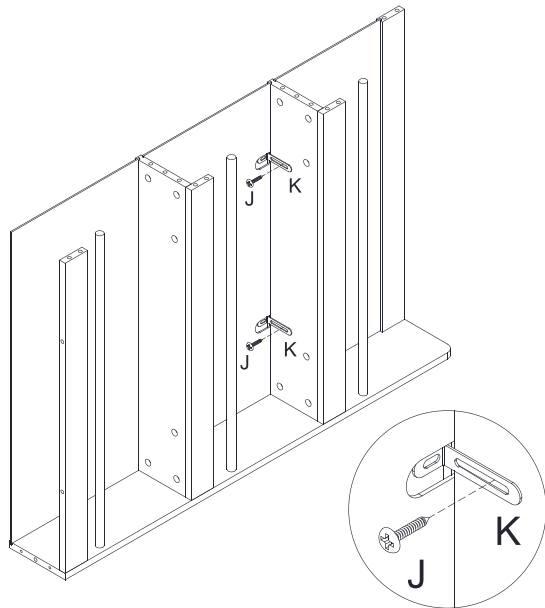
STEP 3



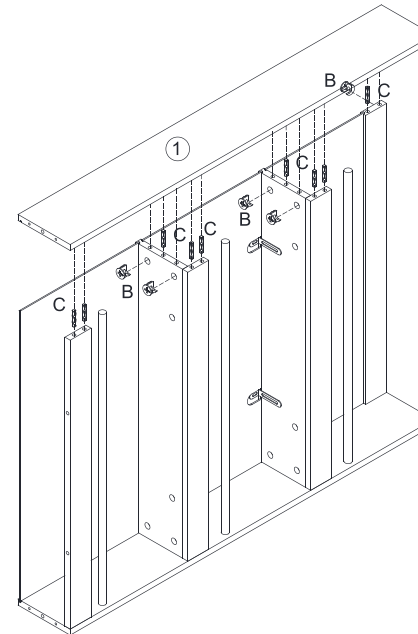
STEP 4



STEP 5

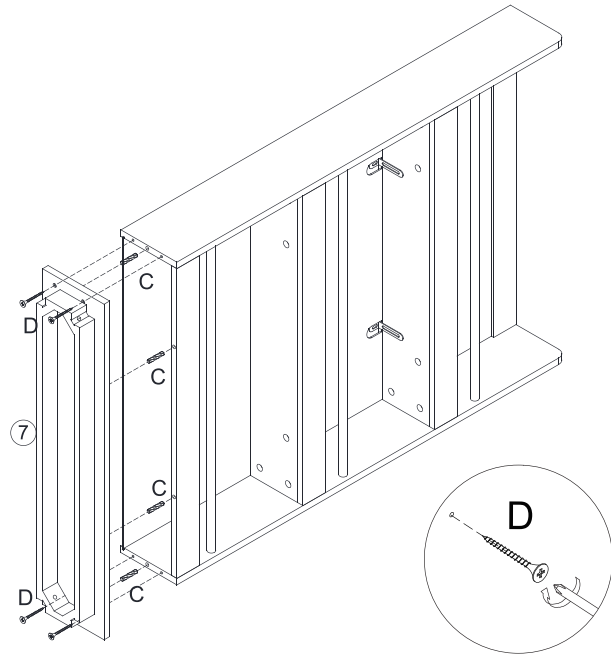


STEP 6

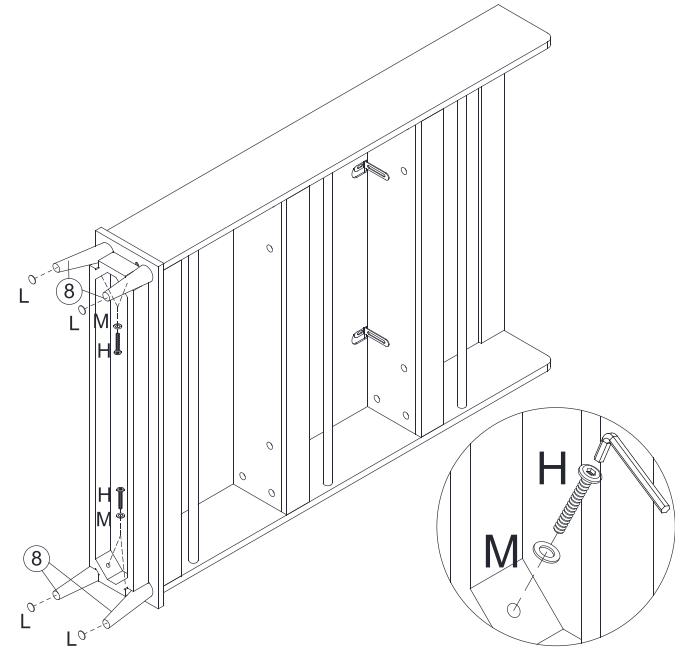


ASSEMBLY INSTRUCTION

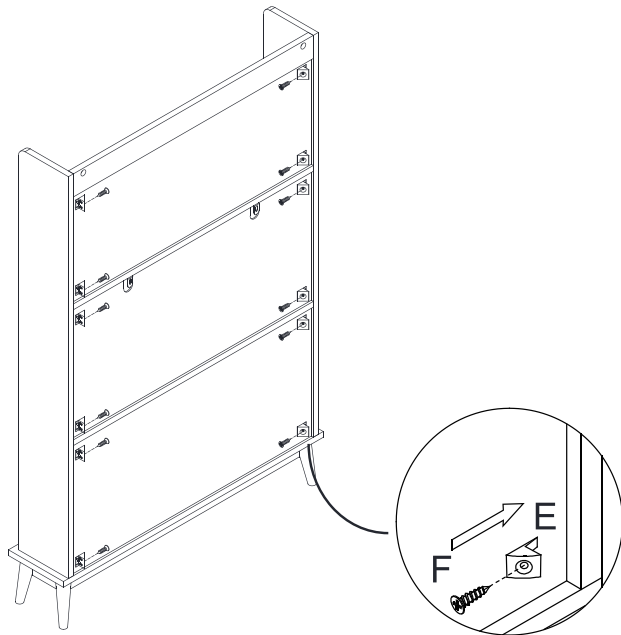
STEP 7



STEP 8



STEP 9



STEP 10

