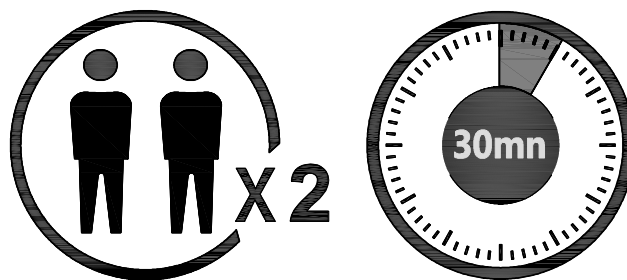


THIS INSTRUCTION BOOKLET CONTAINS IMPORTANT SAFETY INFORMATION. PLEASE READ AND KEEP FOR FUTURE REFERENCE.

**Do Not Return This Product!**  
**Contact our customer service team**  
**for help first**

If for any reason there is anything missing  
damaged, incorrect or different from what  
you expected.  
PLEASE contact us for free replacement  
instead of hassle of return or other trouble.



**TWO PEOPLE ARE NECESSARY**  
**FOR THE ASSEMBLY OF THIS**  
**PRODUCT.**

# Before You Start

## ASSEMBLY PREPARATION

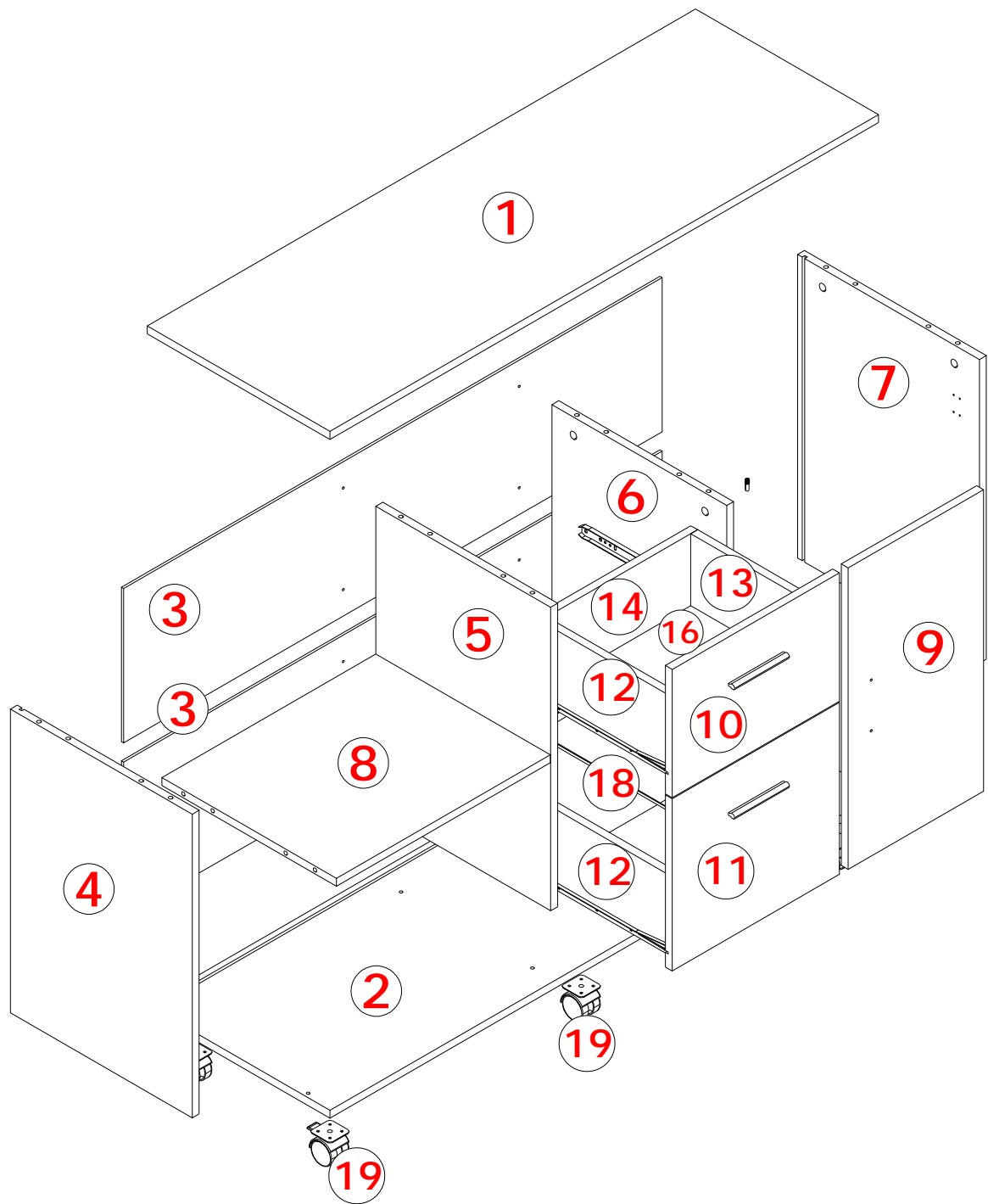
1. Remove all packaging materials, staples and packing straps from the carton.
2. Refer to Parts List and Hardware List and ensure they are complete before you start assembly.
3. Place all parts on a clean, flat and soft surface (e.g. carpet or rug) to prevent parts from getting scratched.

## SAFETY PRECAUTIONS

1. Keep all hardware parts out of reach of children.
2. Dispose plastic packaging material immediately to avoid any risk of suffocation to children and animals.

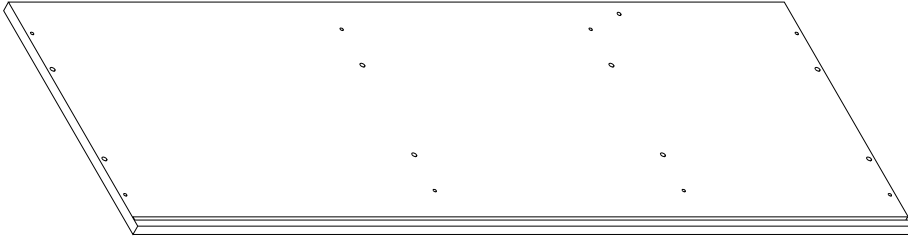
## TIPS FOR ASSEMBLY:

1. Allow ample room for assembly and in close proximity to where product will be placed.
2. Assemble the product on a surface that does not scratch or damage the exterior gloss and finish of the furniture.
3. Please check all of the parts and quantities are included before assembly. Contact customer service for missing parts.
4. Identify all of the parts, hardware and quantities required for each step.
5. During assembly, do not over-tighten any fittings as this may cause damage.
6. Do not use power tools to assemble this product.
7. Always place the product on a flat surface.
8. Do not sit or stand on the partially assembled product; only use the product for which it is intended.
9. Don't tighten screws completely at first, just in case parts were assembled wrong and need disassembled. Tighten screws at last when all parts are put together.
10. Please use the screws correctly, otherwise you might damage the desk pane.

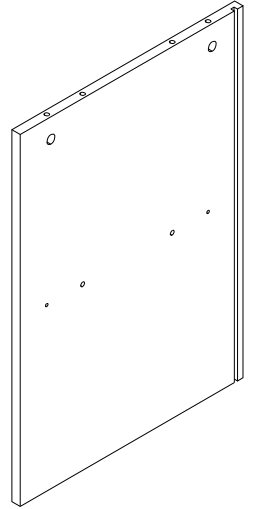


# Parts List

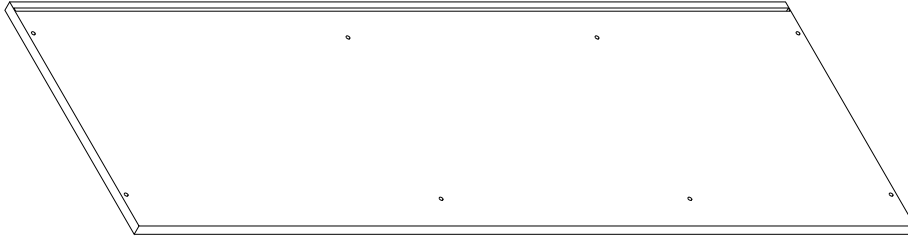
1



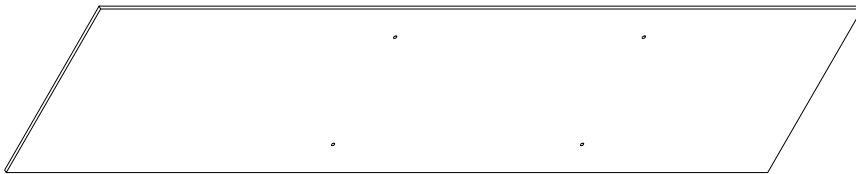
4



2

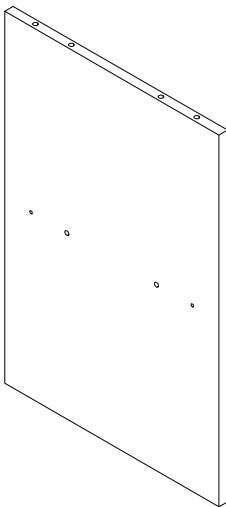


3

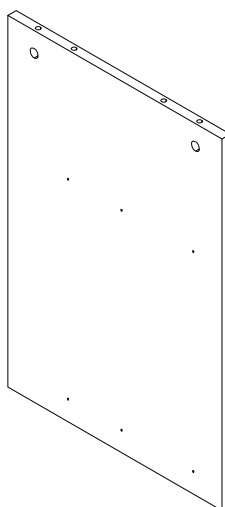


x 2

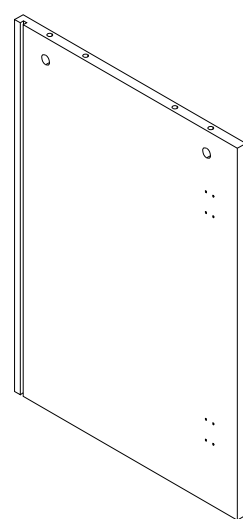
5



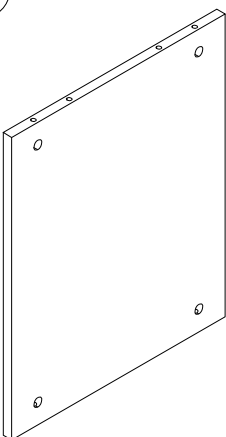
6



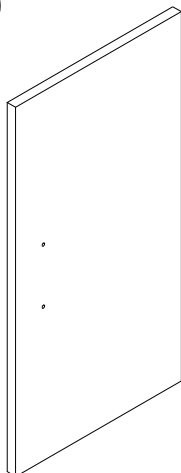
7



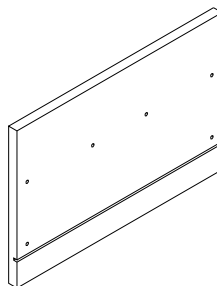
8



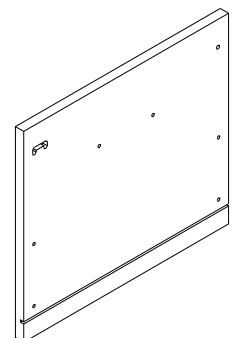
9



10

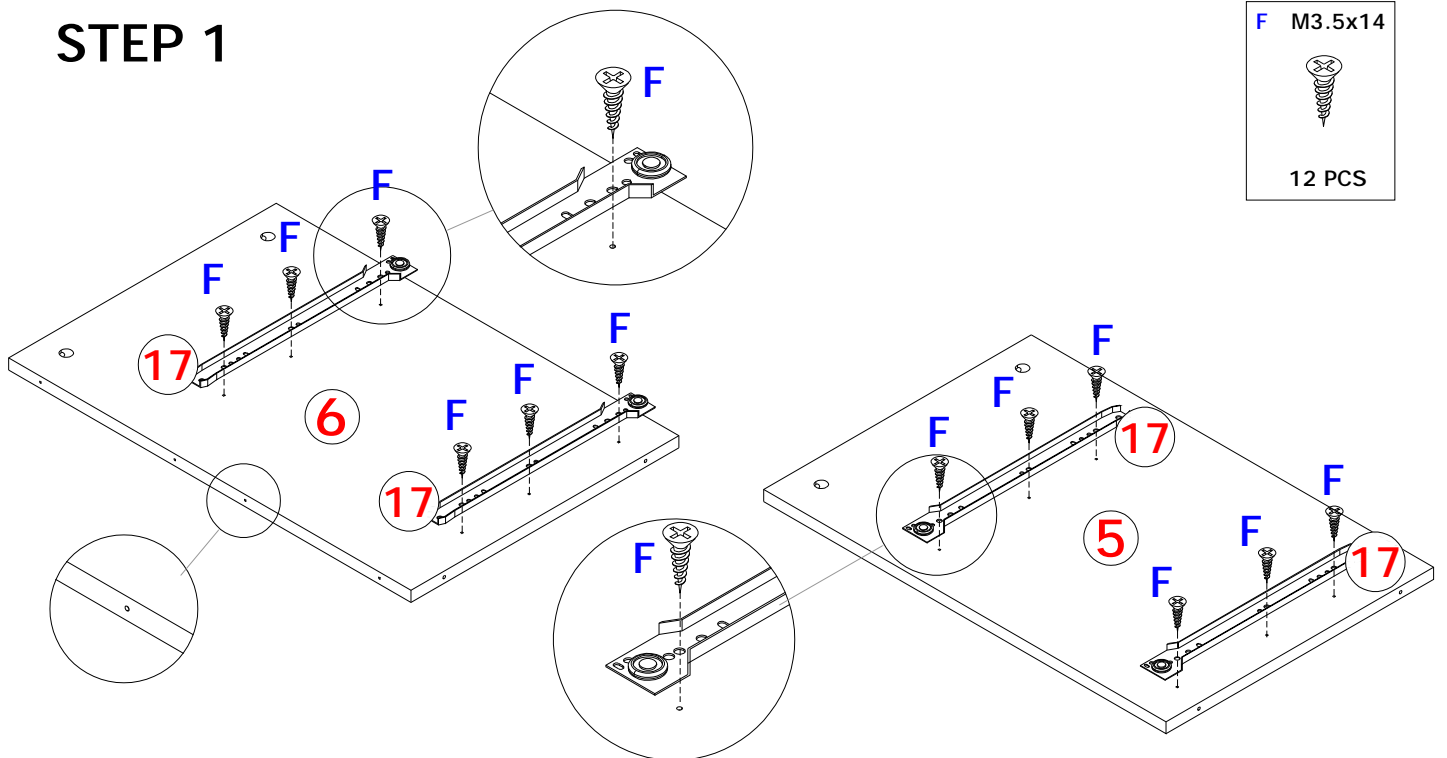


11

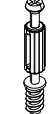

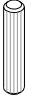


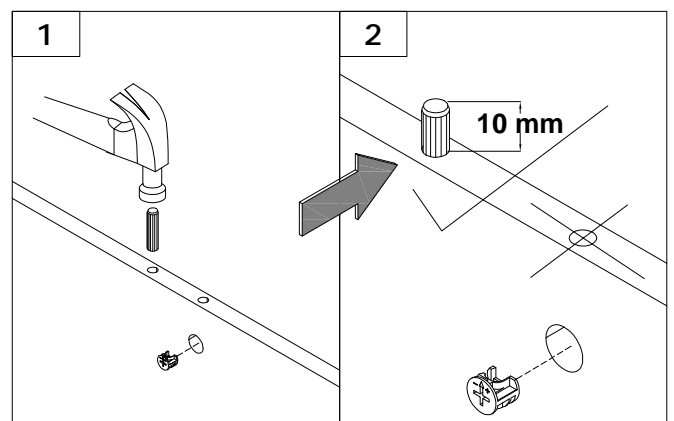
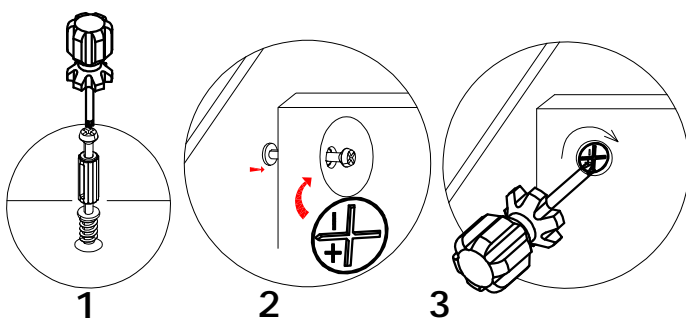
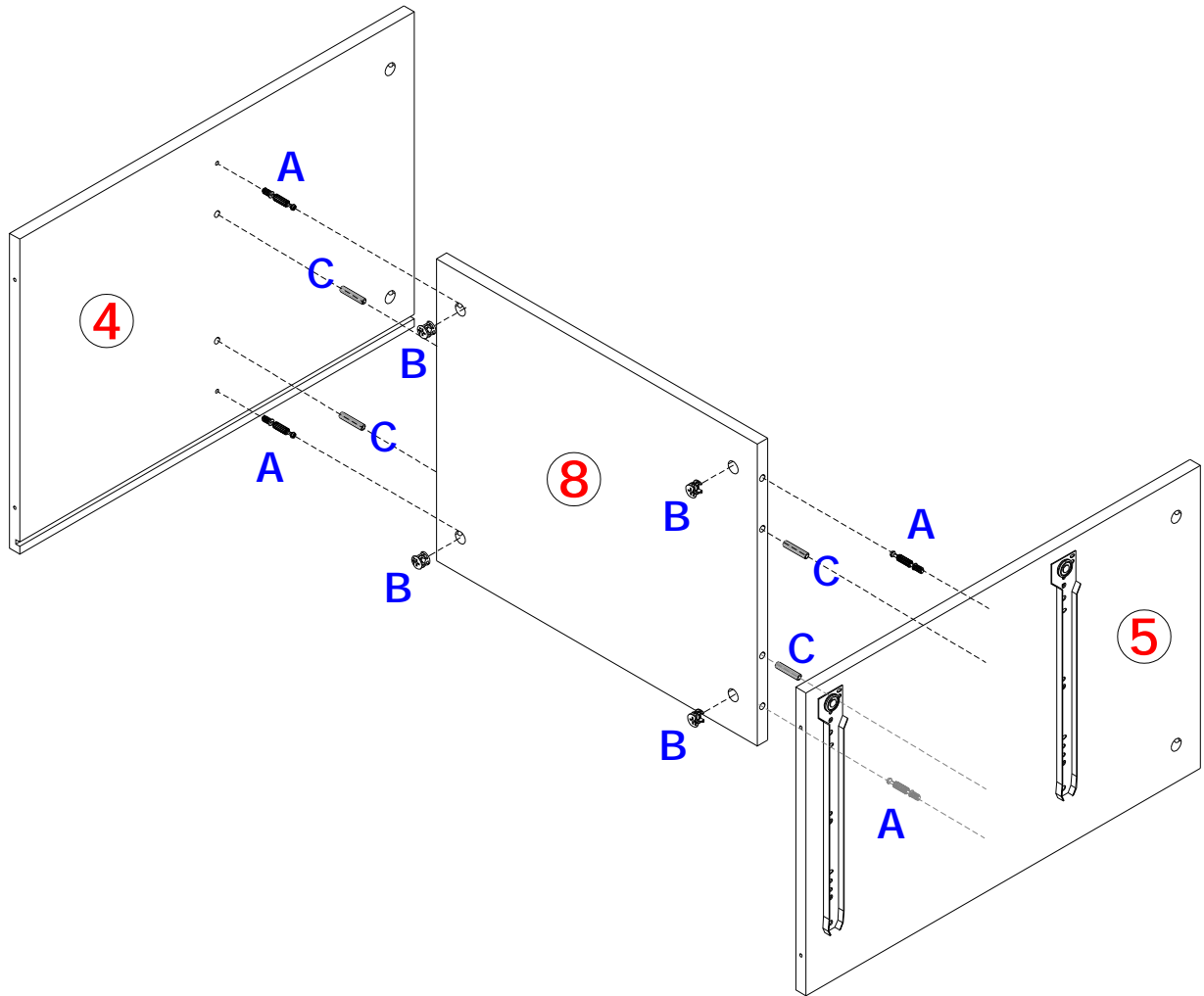
<p><b>12</b></p> <p>x 2</p>		<p><b>13</b></p> <p>x 2</p>		<p><b>14</b></p>		<p><b>15</b></p>	
<p><b>16</b></p> <p>x 2</p>		<p><b>17</b></p> <p>12" x 2</p>		<p><b>18</b></p> <p>Ø5xL300 x 2</p>		<p><b>19</b></p> <p>2" x 2</p>	
<p><b>A</b> M5x42</p> <p>20 PCS</p>	<p><b>B</b> Ø15x12</p> <p>20 PCS</p>	<p><b>C</b> Ø8x40</p> <p>12 PCS</p>	<p><b>D</b> M5x20</p> <p>1 PCS</p>	<p><b>E</b> M5x40</p> <p>16 PCS</p>	<p><b>F</b> M3.5x14</p> <p>68 PCS</p>	<p><b>G</b></p> <p>4 PCS</p>	<p><b>H</b> DW</p> <p>2 PCS</p>
<p><b>I</b> 220-96</p> <p>3 PCS</p>	<p><b>J</b> M4x18</p> <p>6 PCS</p>	<p>1 PCS</p>					

# STEP 1







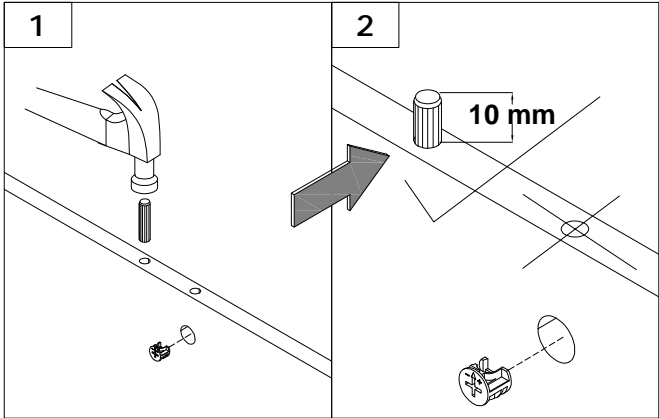
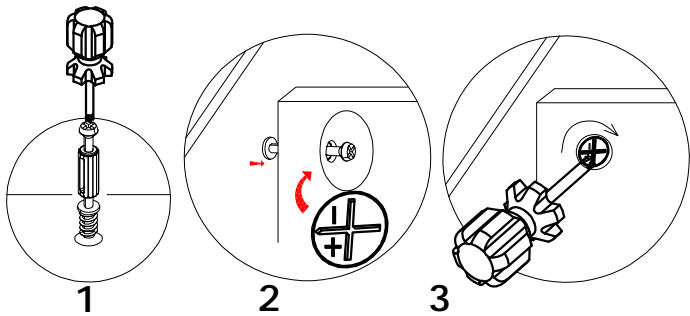
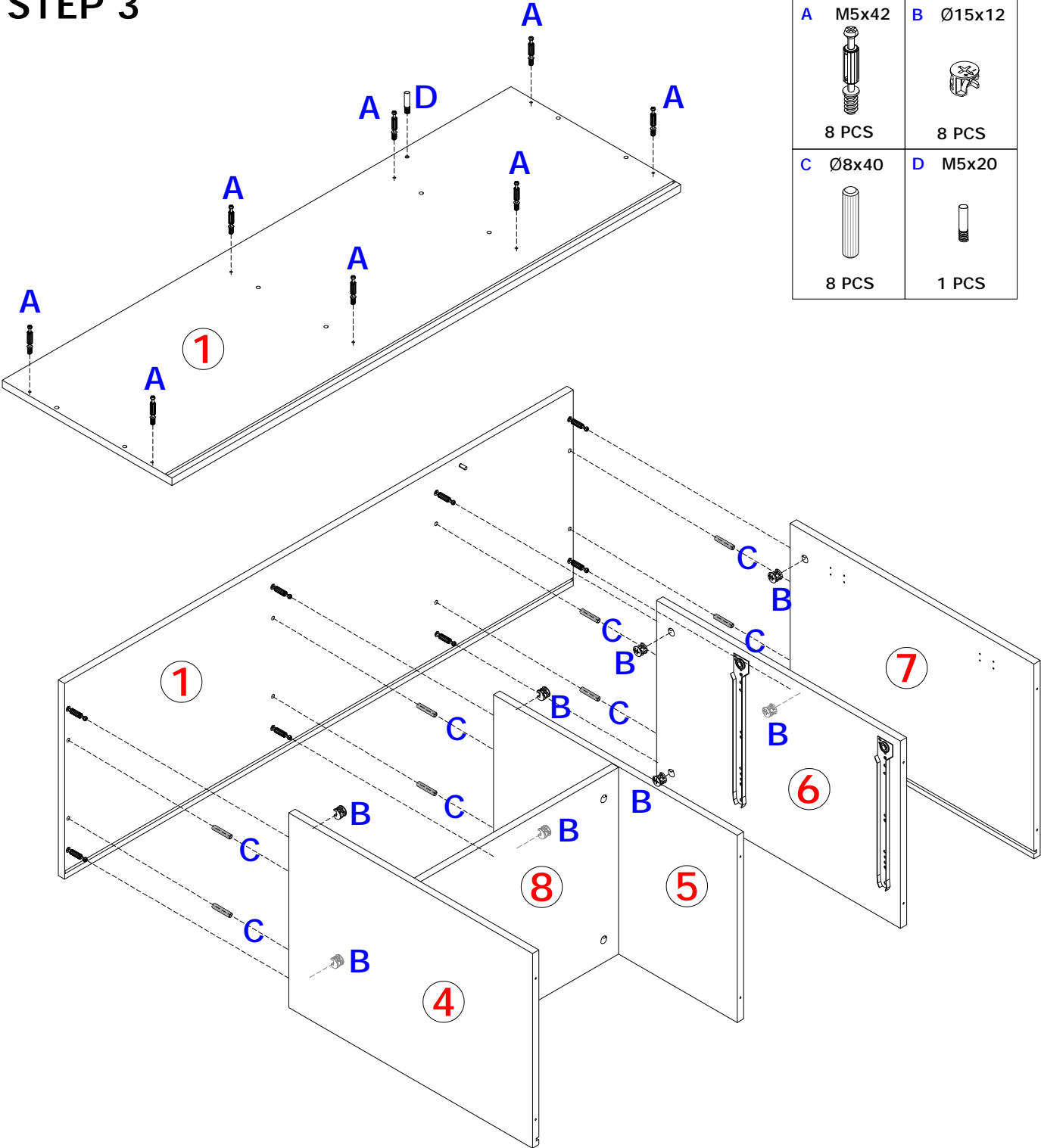
# STEP 2

A	M5x42	B	Ø15x12	C	Ø8x40
					
4 PCS		4 PCS		4 PCS	

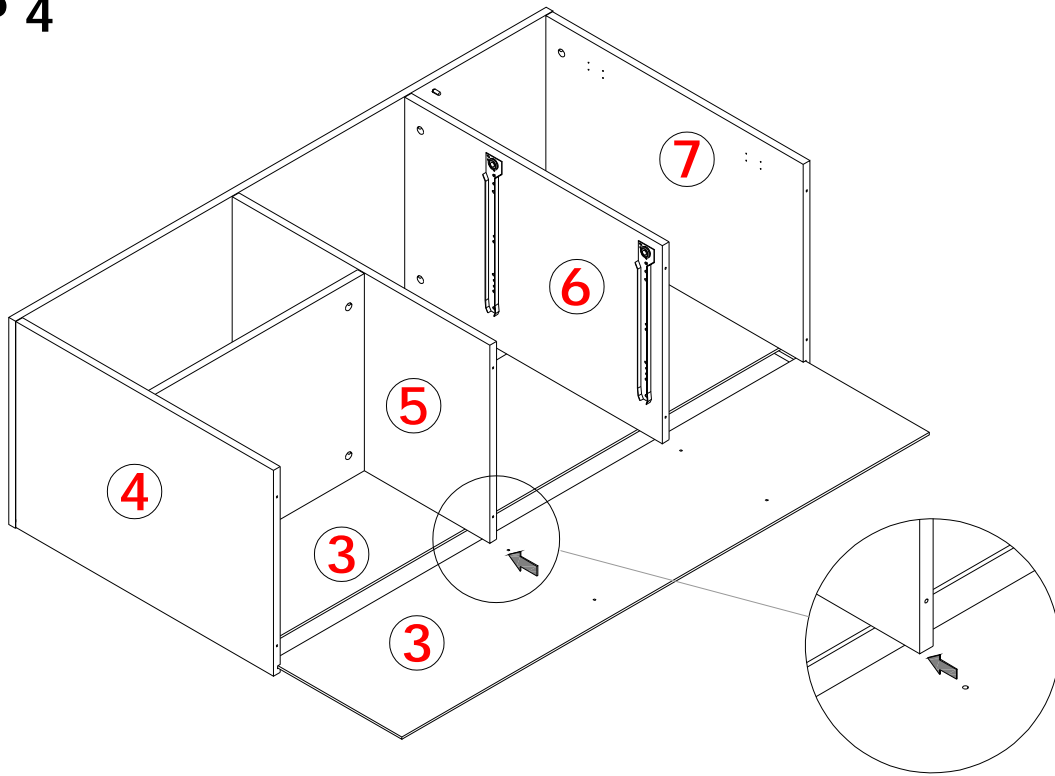


# STEP 3

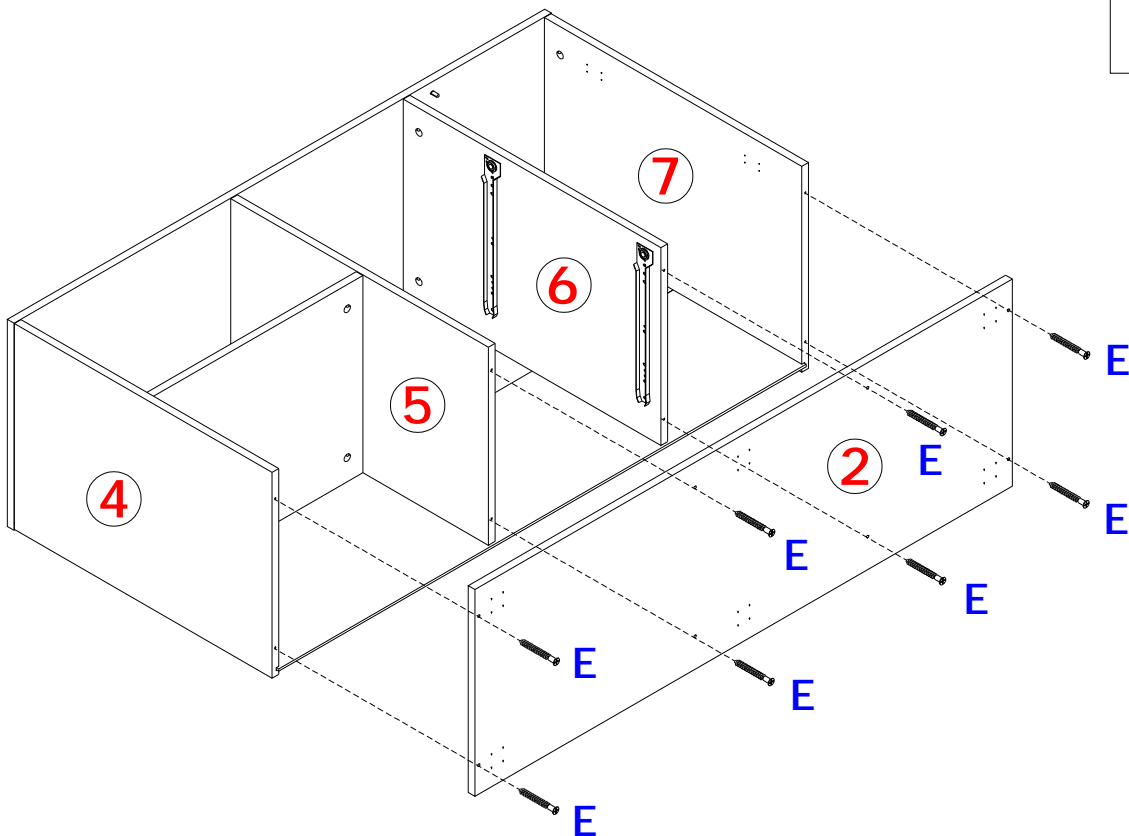
<b>A</b> M5x42  8 PCS	<b>B</b> Ø15x12  8 PCS
<b>C</b> Ø8x40  8 PCS	<b>D</b> M5x20  1 PCS




# STEP 4



# STEP 5

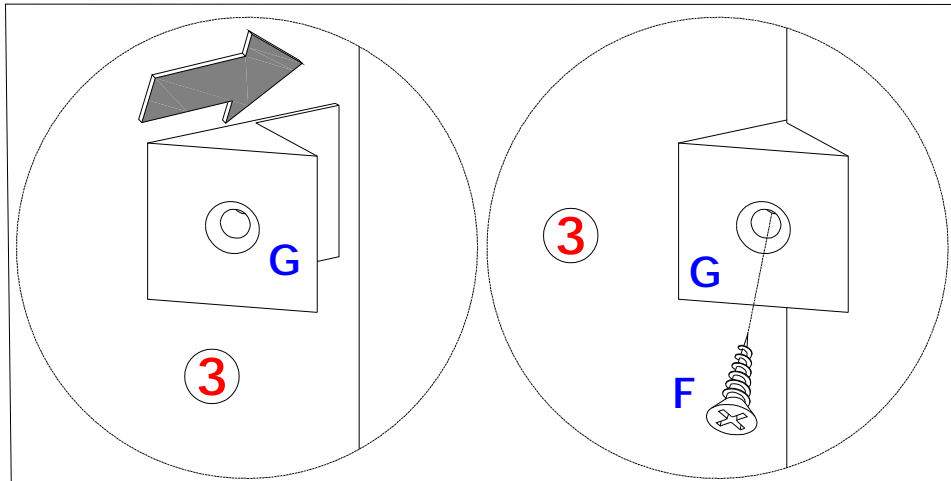



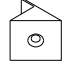
E M5x40

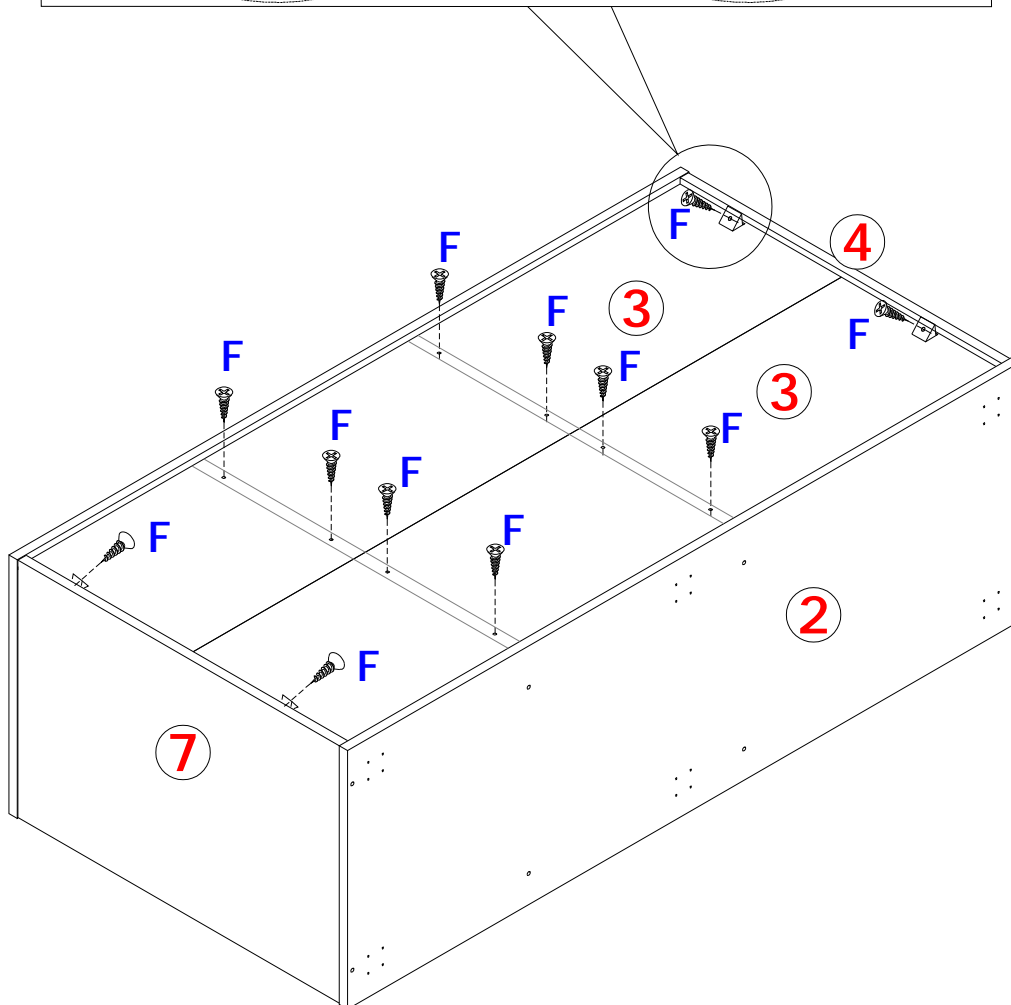


8 PCS

# STEP 6



<b>F</b> M3.5x14

12 PCS
<b>G</b>

4 PCS

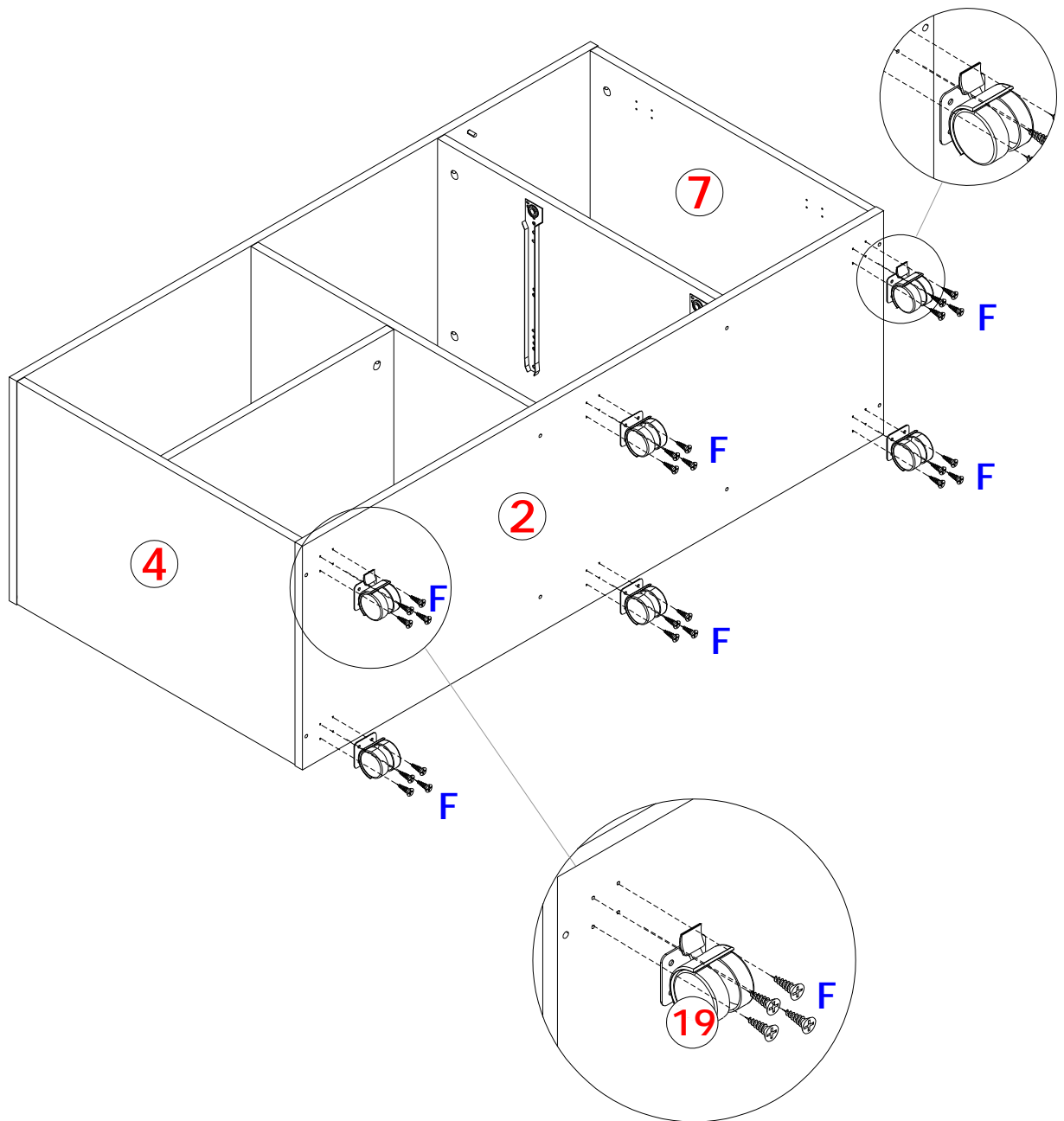


# STEP 7

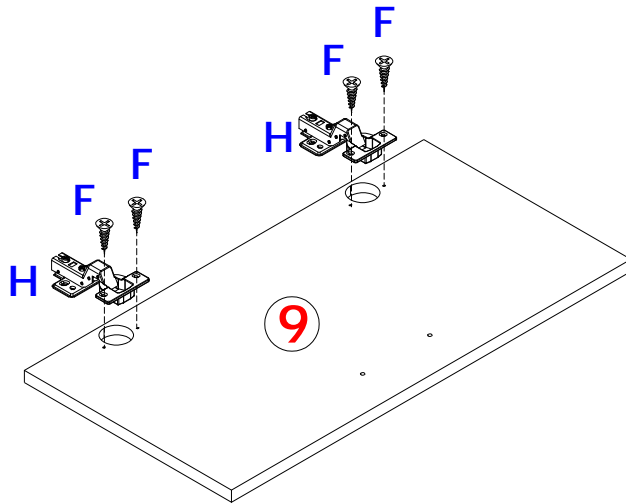
F M3.5x14


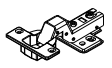




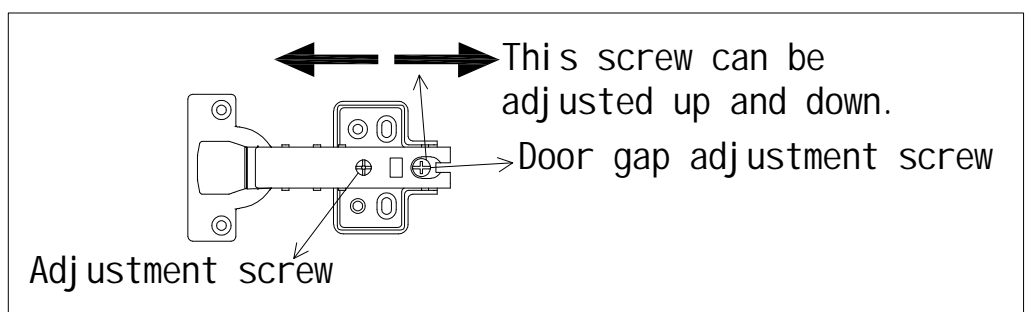
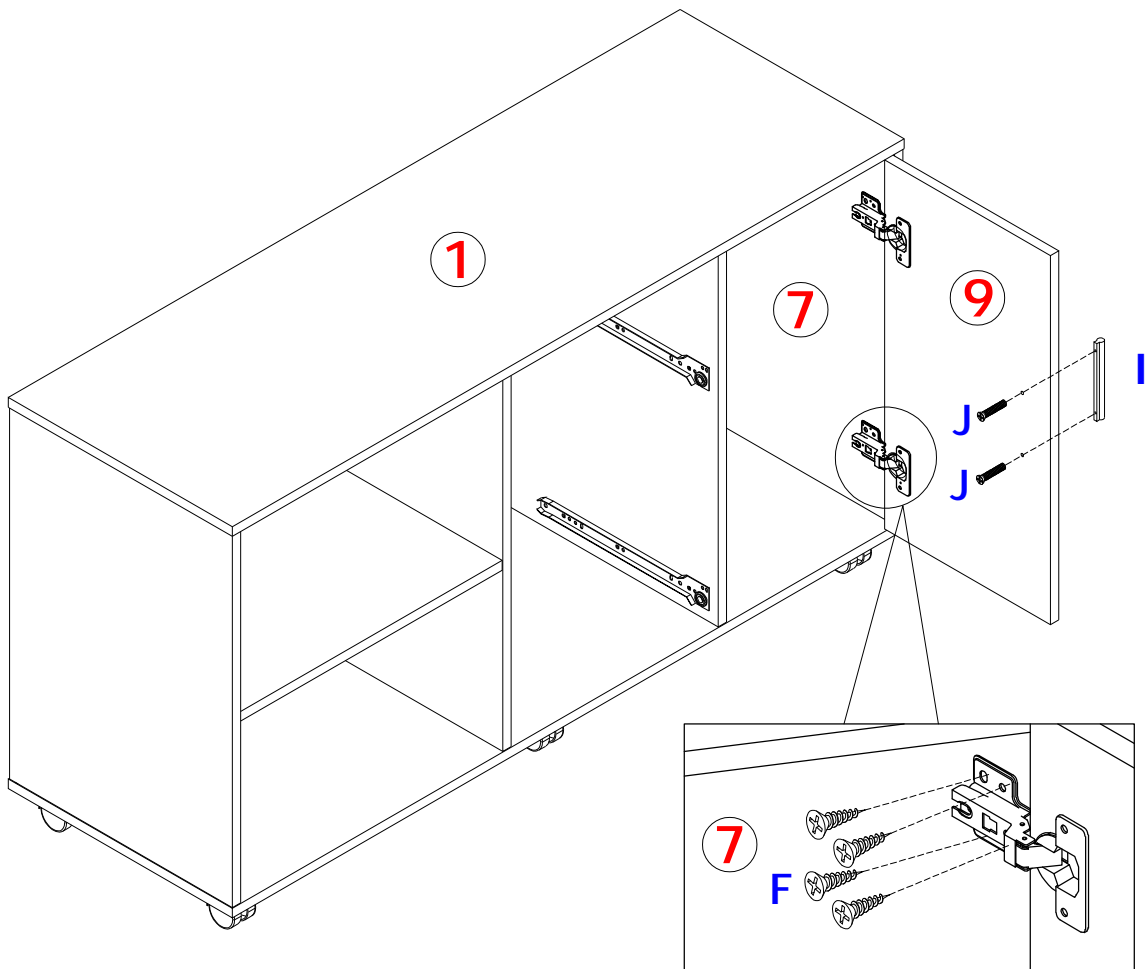
24 PCS



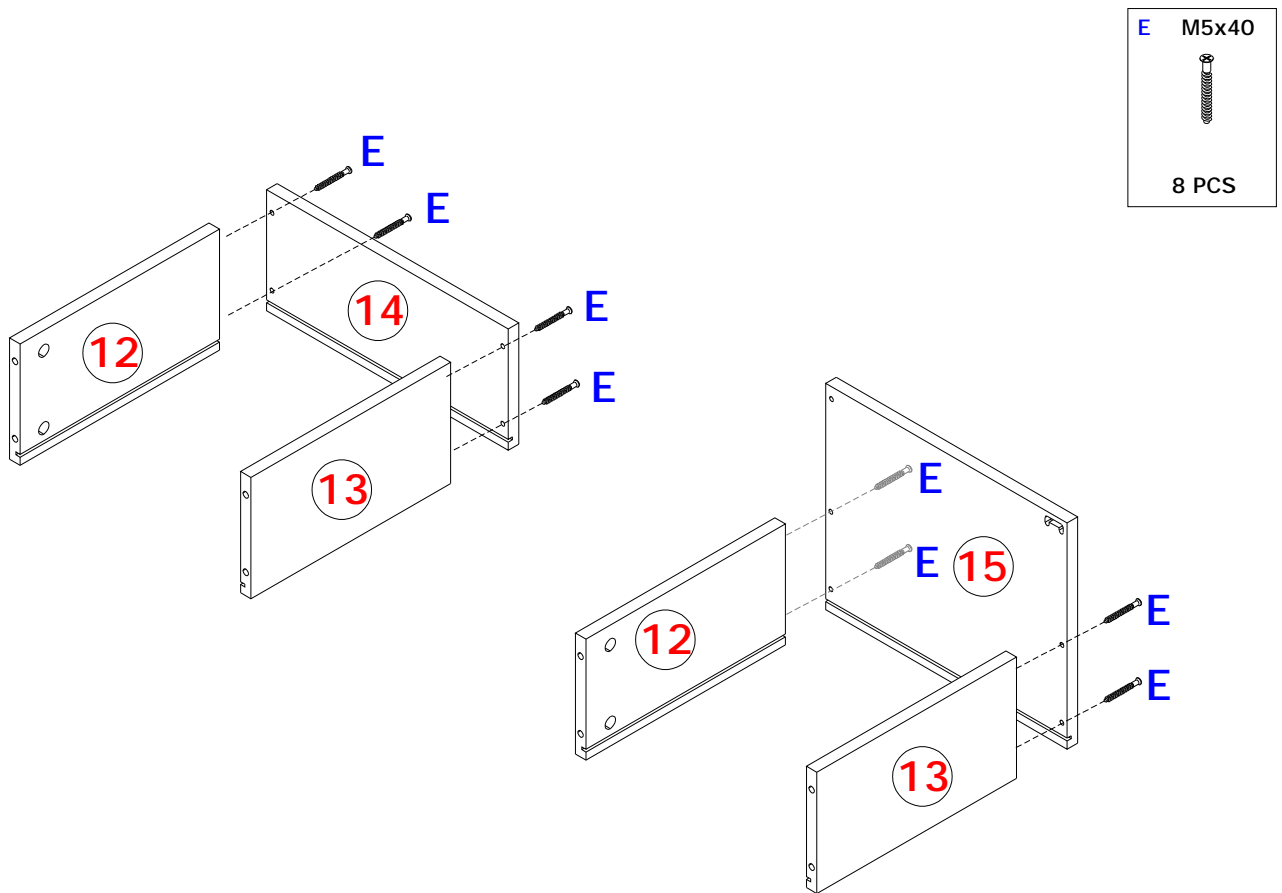
# STEP 8



<b>F</b> M3.5x14	<b>H</b> DW
	
12 PCS	2 PCS
<b>I</b> 220-96	<b>J</b> M4x18
	
1 PCS	2 PCS

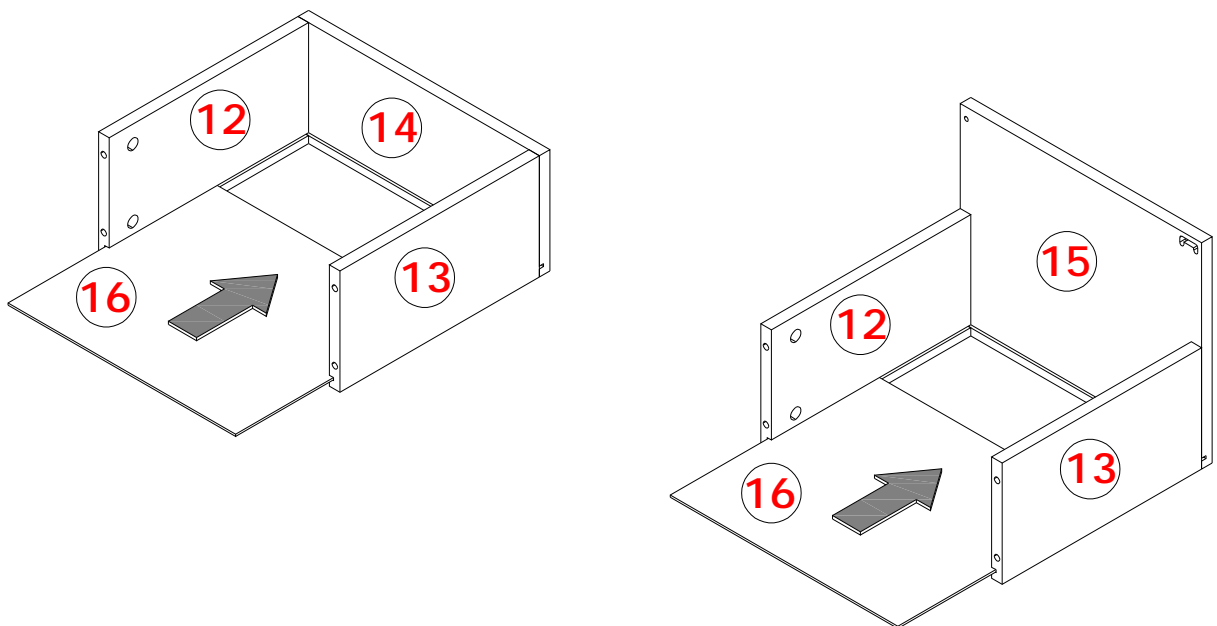


# STEP 9







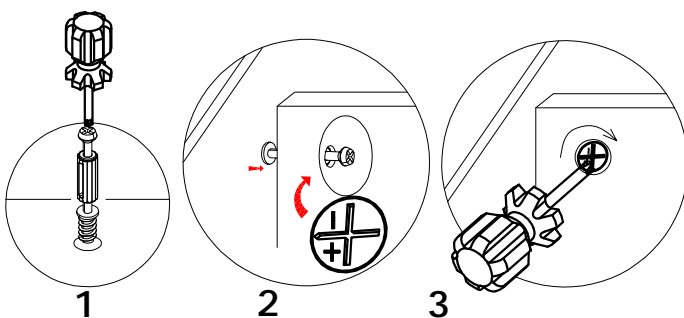
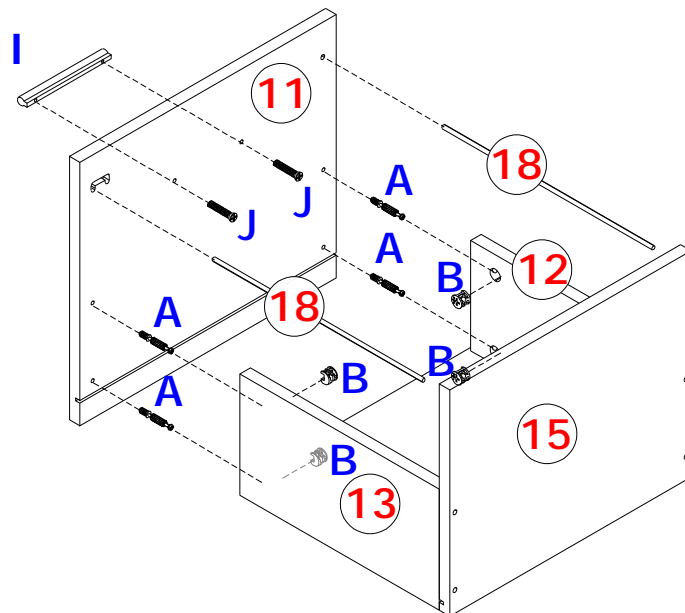
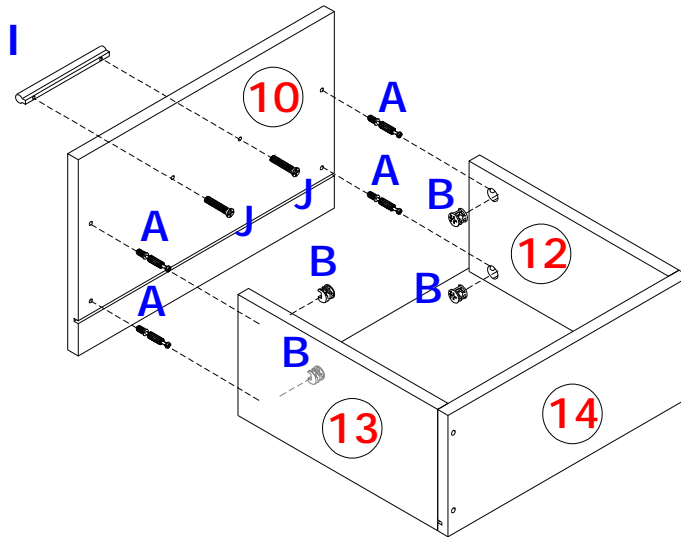
---

# STEP 10



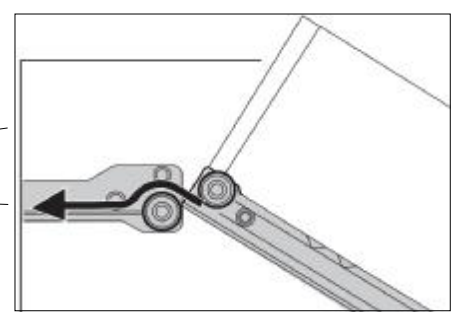
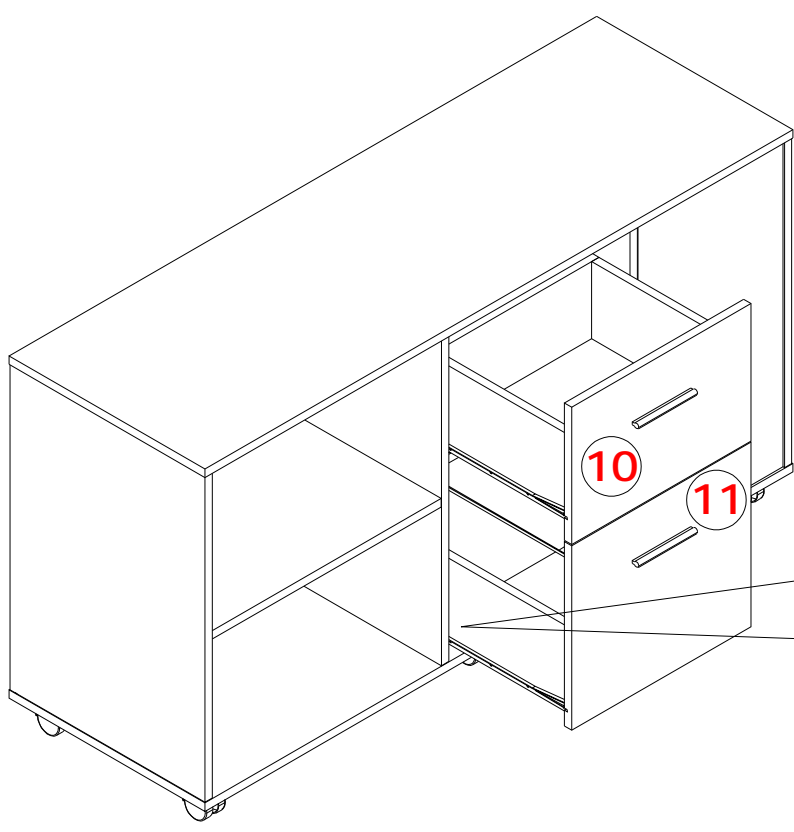
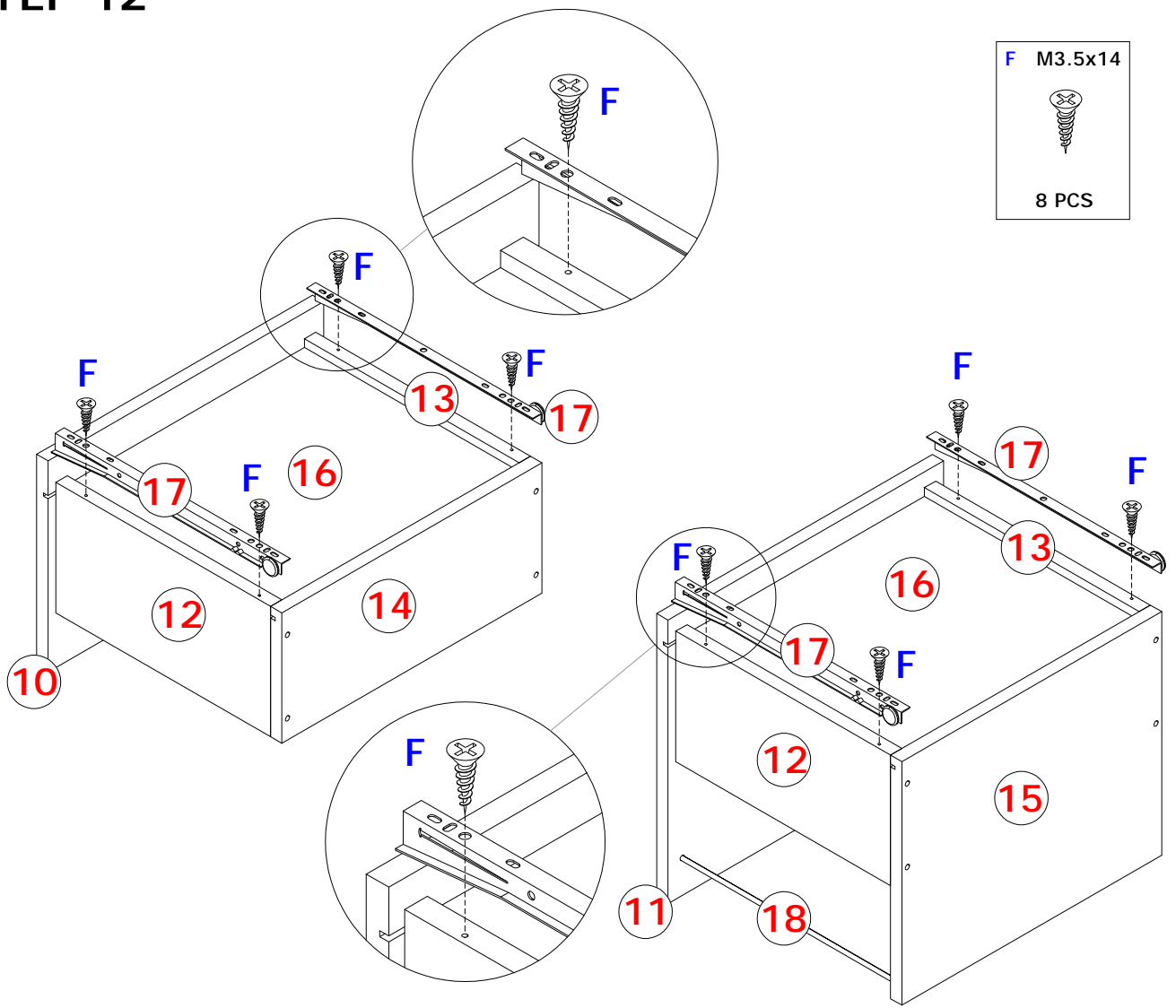
# STEP 11

<b>A</b> M5x42  8 PCS	<b>B</b> Ø15x12  8 PCS
<b>I</b> 220-96  2 PCS	<b>J</b> M4x18  4 PCS

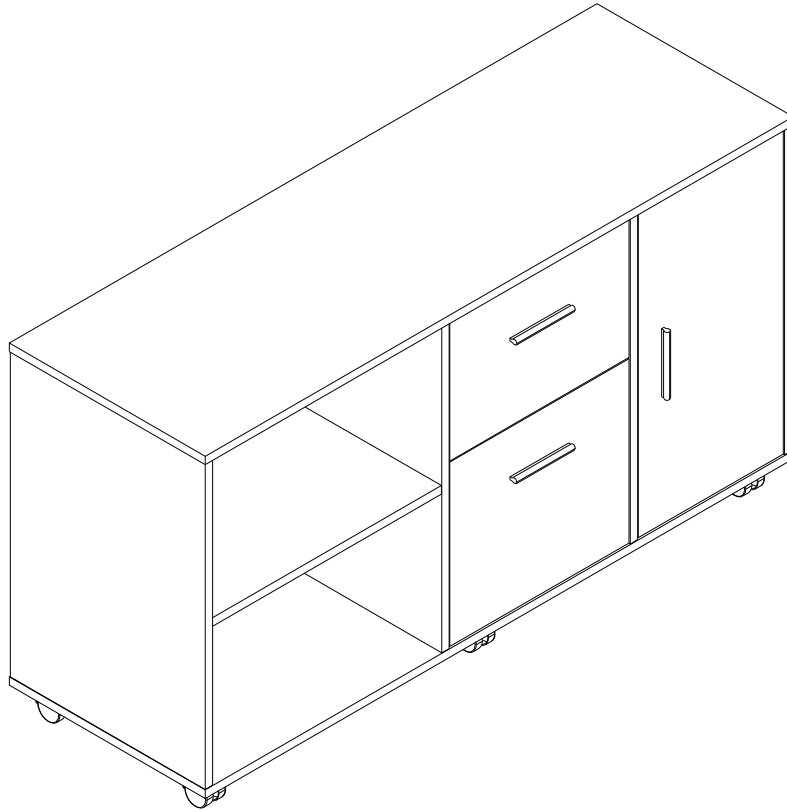


# STEP 12

F M3.5x14  
8 PCS



## STEP 13



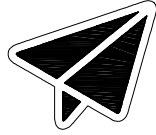
## Complete

---

**We are only in business  
if you're happy**

For starters,  
thanks for being you.

We do our best to ensure your furniture arrives without any problems, but occasionally mistakes happen - as humans we are imperfect beings. In the event that a part is damaged or missing, we will be more than happy to provide you with replacement part(s) for free.



## No heartburn, when we handle the return

Give us or shoot us a message,  
we will arrange you a free  
replacement with zero hassle

### Current



Give us a Email



Replacement



You

### As Is



Re-package item



Schedule pick-up



Track package



Replacement



You

We reallt don't want you to go through the hassle of re-packgng you item  
and sending it back, because let's be honest...nobody has time for that.