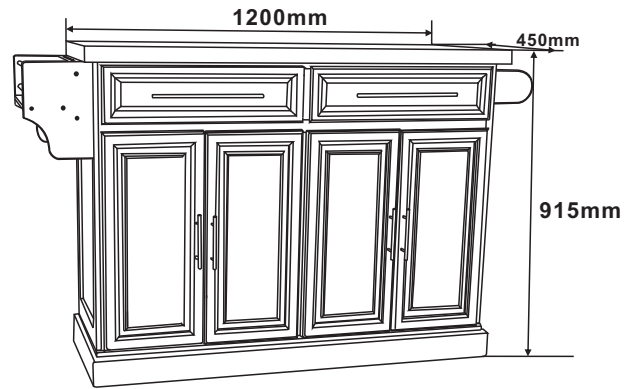
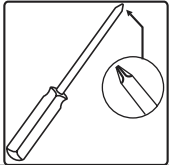


# ASSEMBLY INSTRUCTION



## PARTS LIST

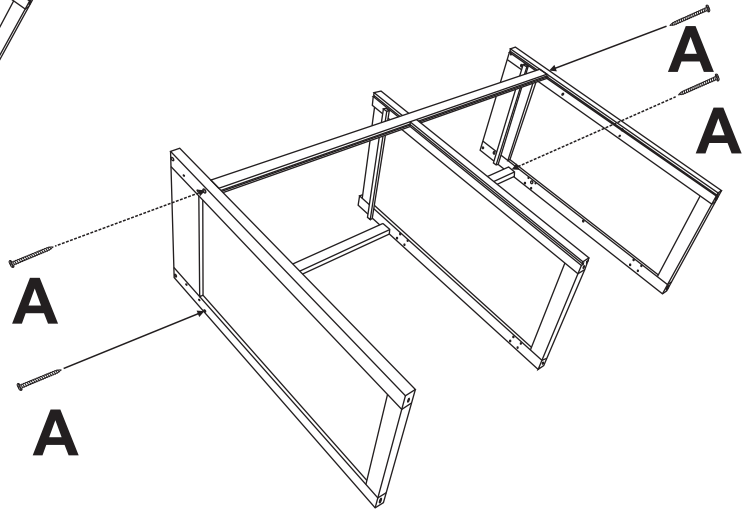
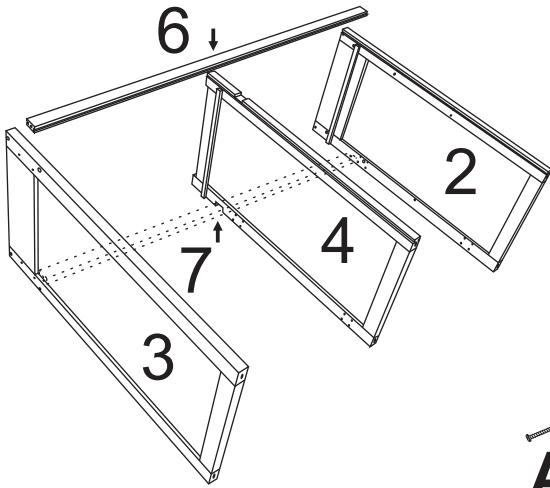
1  1pc	2  1pc	3  1pc	4  1pc	5  1pc
6  1pc	7  1pc	8  1pc	9  1pc	10  2pcs
11  2pcs	12  4pcs	13  4pcs	14-17  2sets	18-22  1set
23-24  1set	25  2pcs	26  1pc		

## HARDWARE LIST

A  ∅ 5x50mm 14pcs	B  ∅ 4x40mm 16pcs	C  ∅ 3x25mm 22pcs	D  4pcs	E  2pcs
F  ∅ 4x16mm 12pcs	G  ∅ 8x30mm 6pcs	H  8pcs	I  4pcs	J  ∅ 3x12mm 48pcs
K  1pc	L  8pcs	M  ∅ 4x16mm 24pcs	N  4pcs	

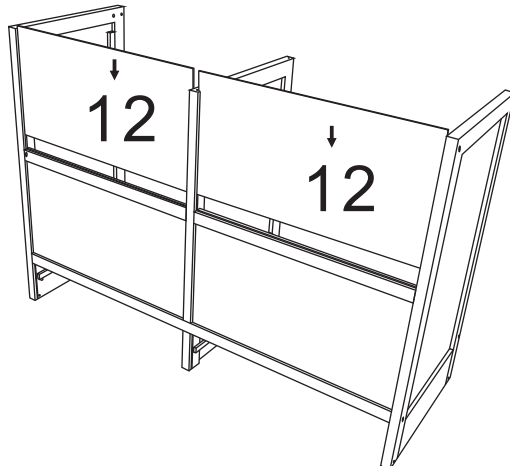
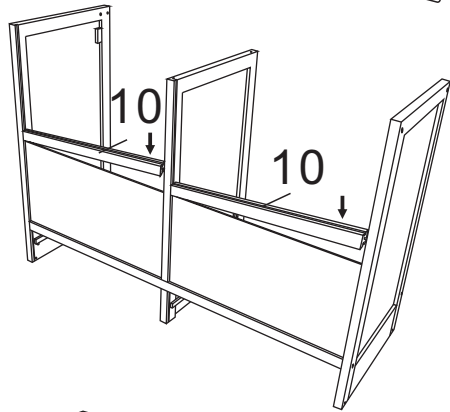
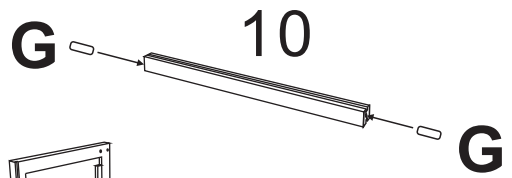
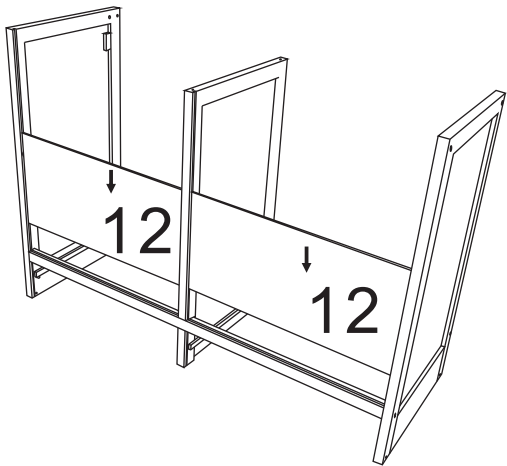
1

Ax4  



2

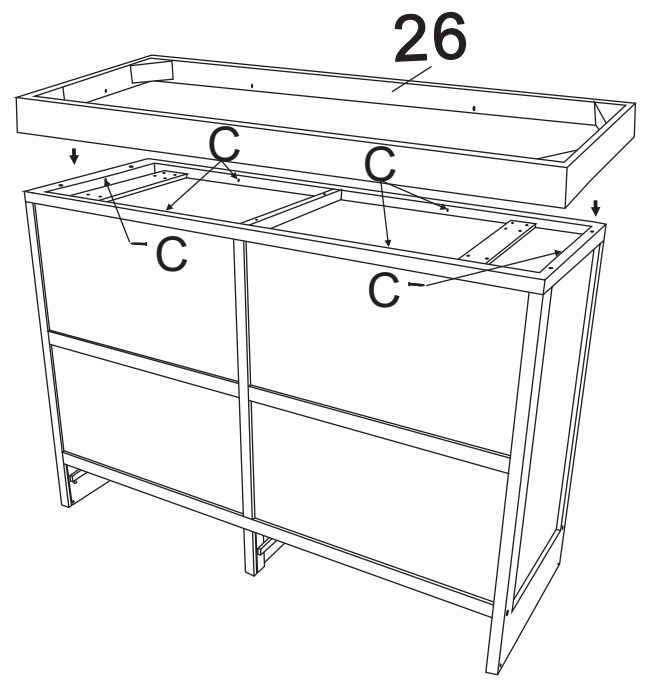
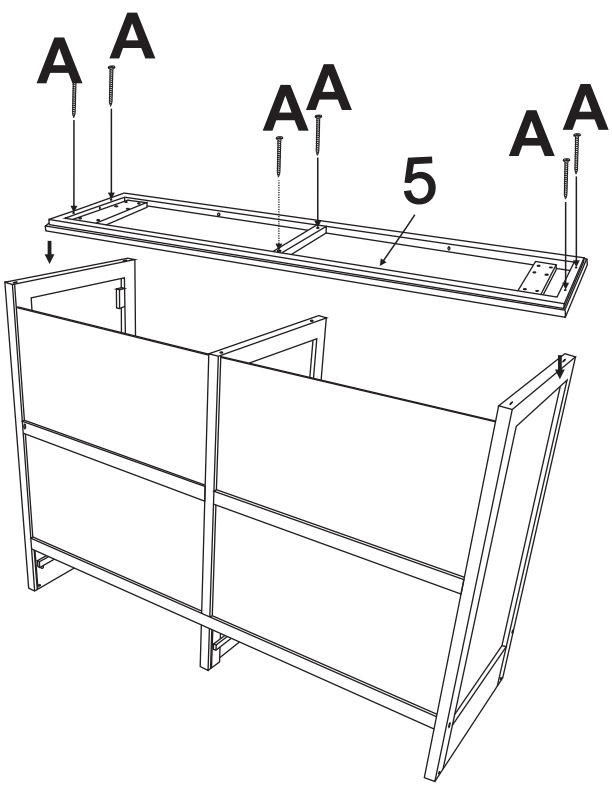
Gx4 



3


Ax6  

Cx6  

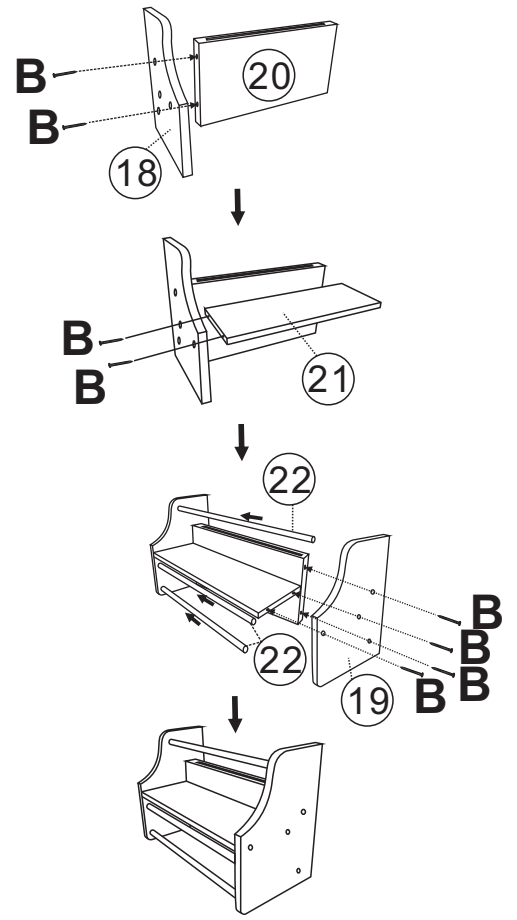
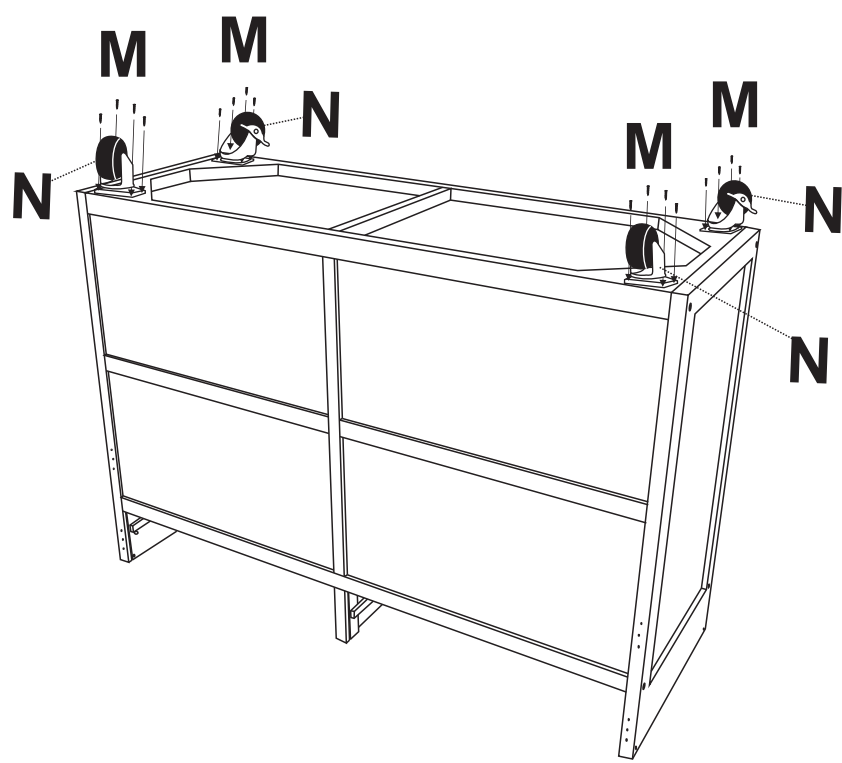


4

Nx4 

Bx8  

Mx16  

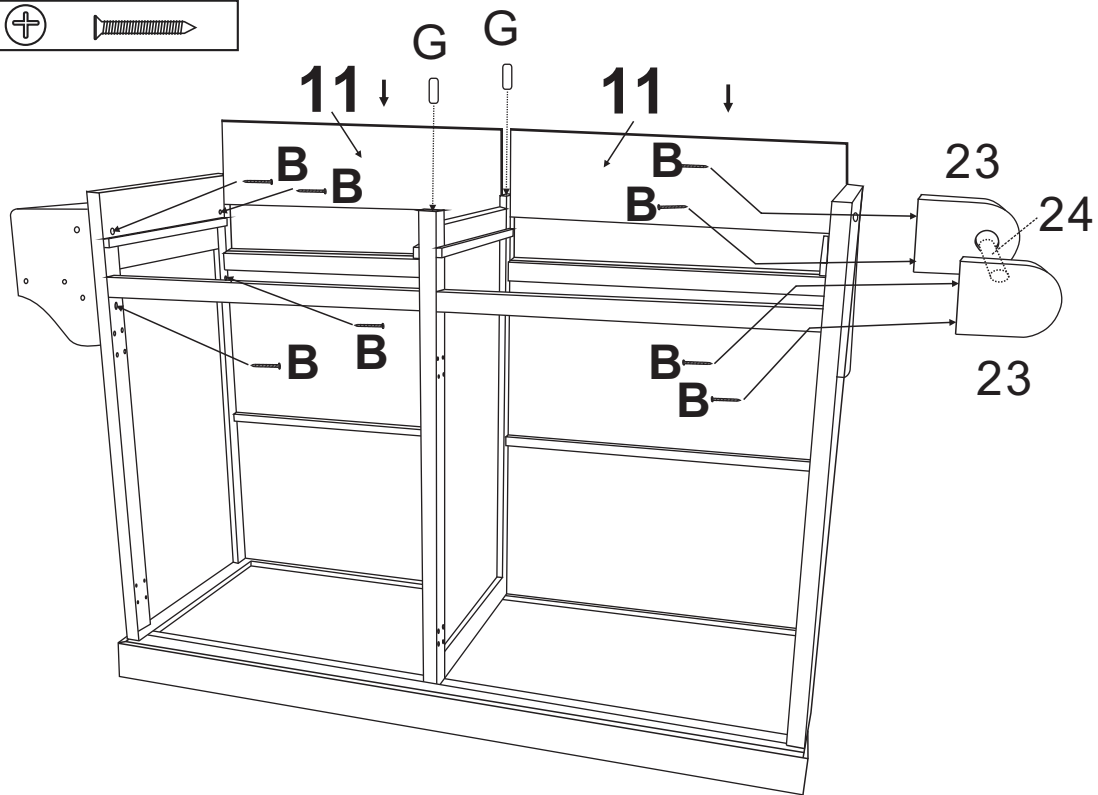


5

Gx2



Bx8



6

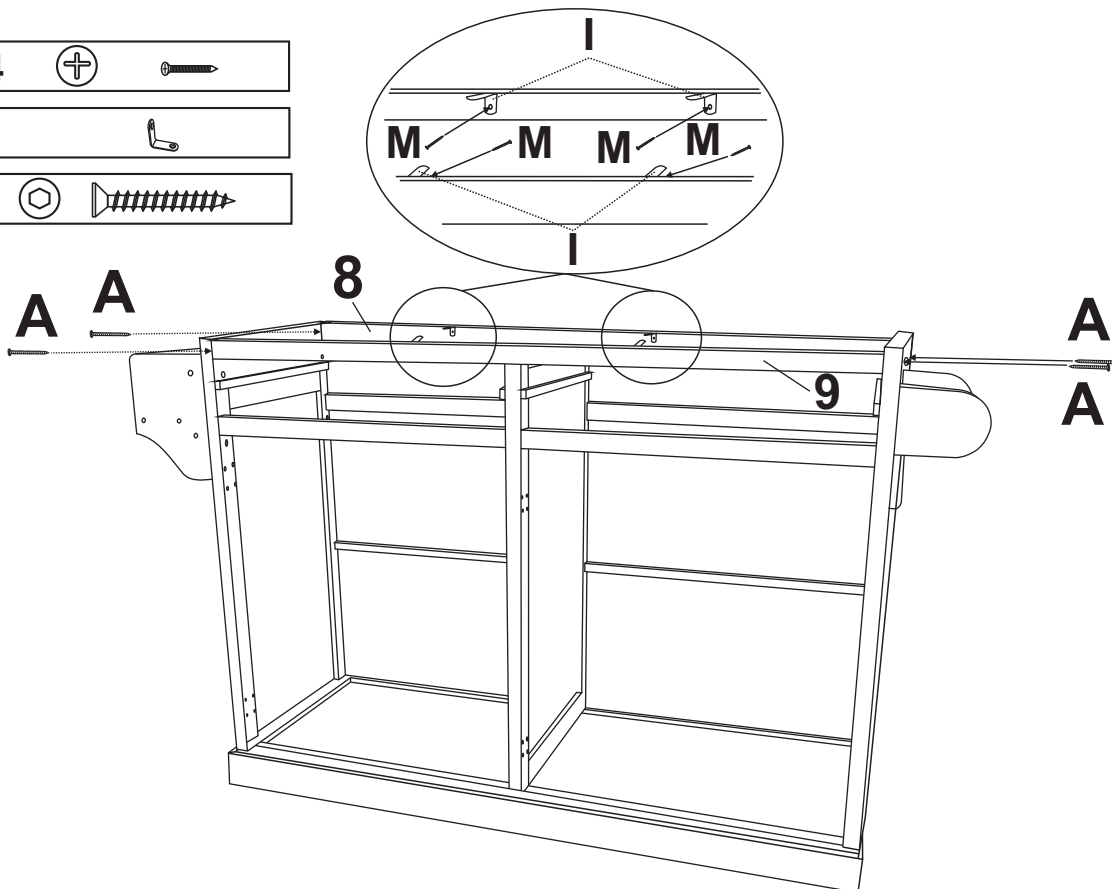
Mx4



Ix4




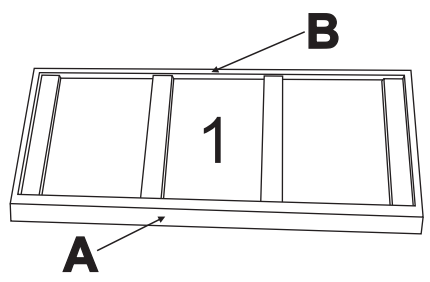
Ax4



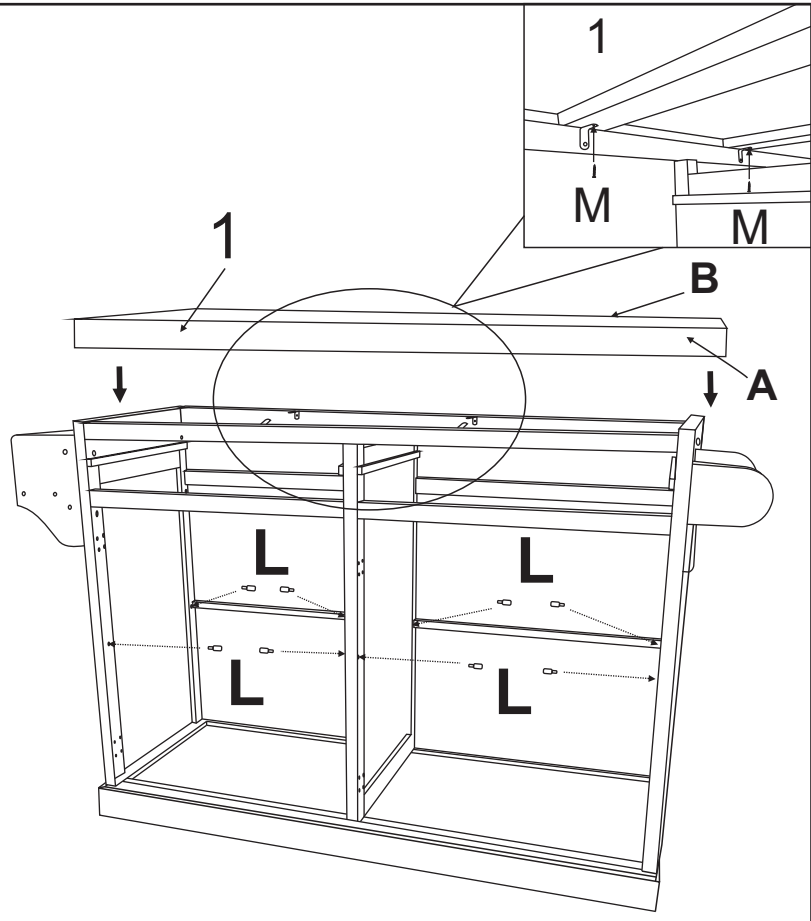
7

Mx4  

Lx8 




A:Front side  
B:Back side



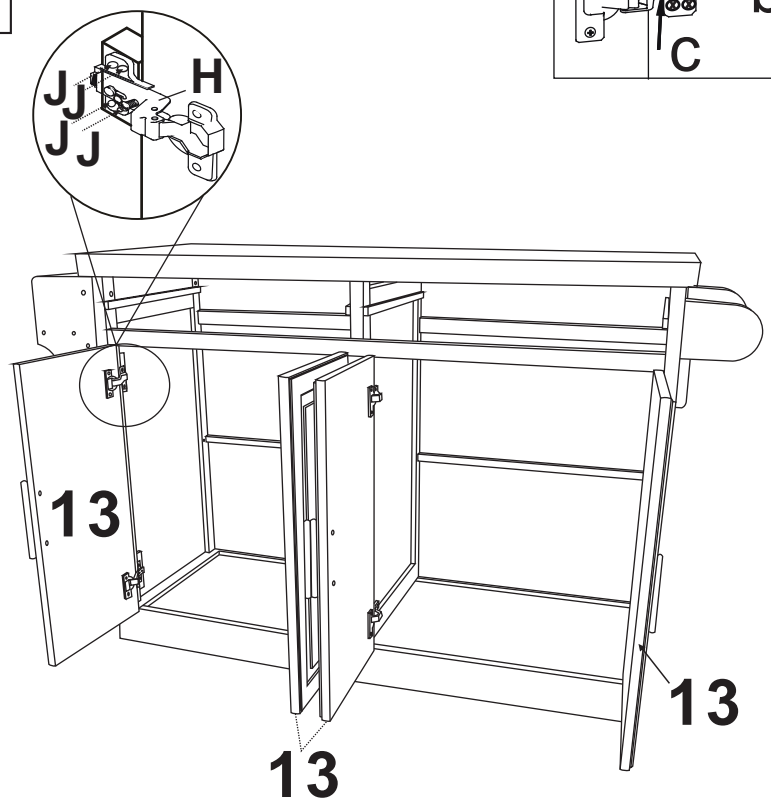
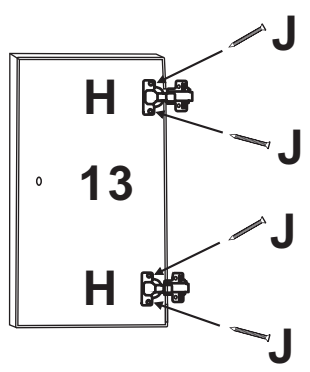
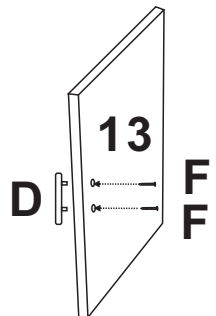
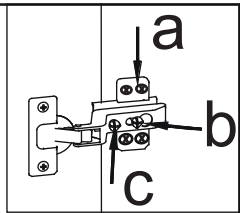
8

Jx48  

Dx4 

Hx8 


Fx8 

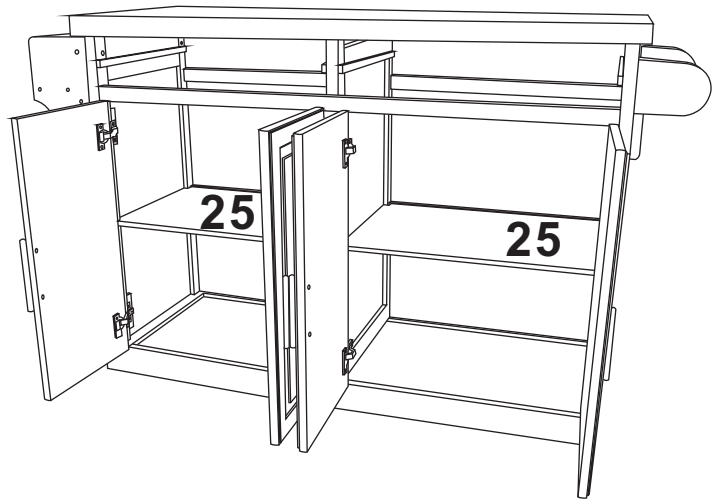
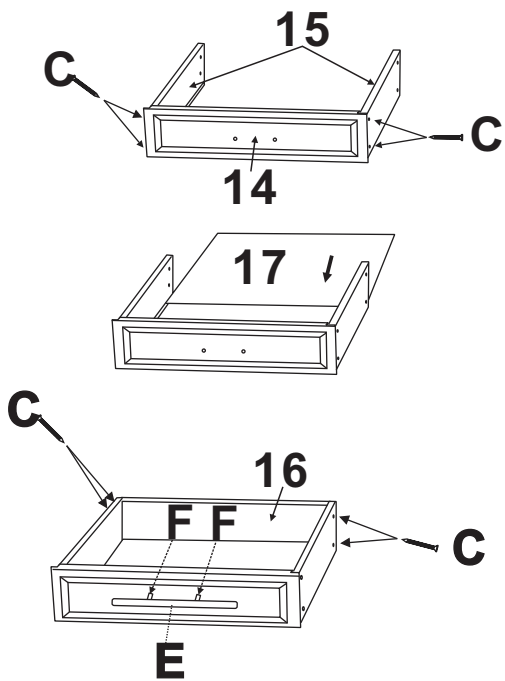


9

Cx16  

Fx4 

Ex2 



10

