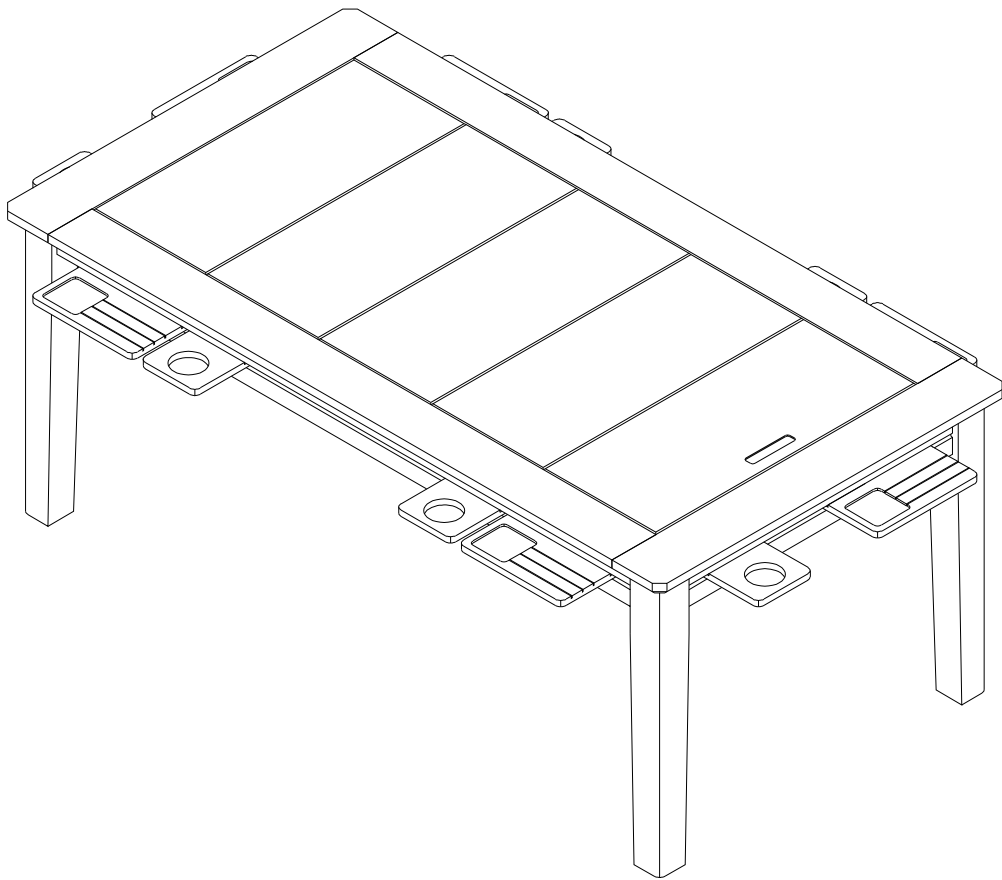


Board Game Table



As this item contains many parts, please read the installation instruction carefully before installation. Please use tools properly and carefully. If you have any questions regarding the product or installation, please contact us. Our professional after-sales team will respond within 24 hours online

Before You Start

People need for assembly:1-2

Read through each step carefully and follow the proper order

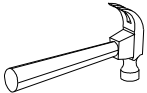
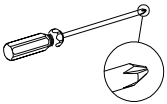
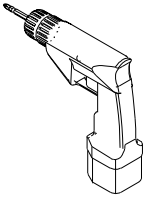
Separate and count all your parts

Give yourself enough room for the assembly process and hardware

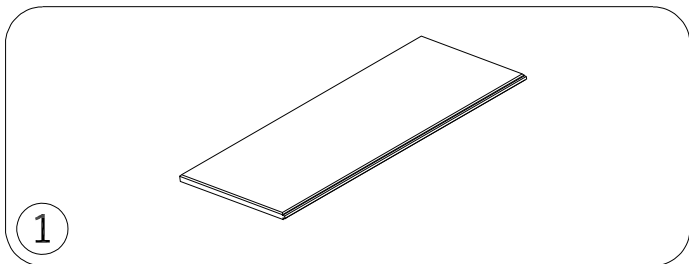
You need the following tools: Power drill,Phillips head screwdriver

Caution: If using a power drill or power screwdriver for screwing. Please be aware of slowing down and stop when screw is tight. Failure to do so may result in stripping the screw.
(Assembly speed can be increased by using electric screwdriver)

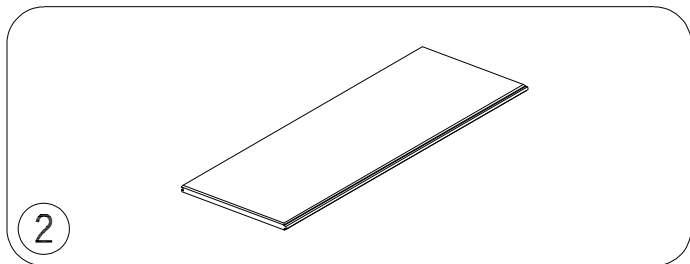
Caution: When flipping the table from legs-up to legs-down position during installation, always lift with two people to avoid crushing the legs



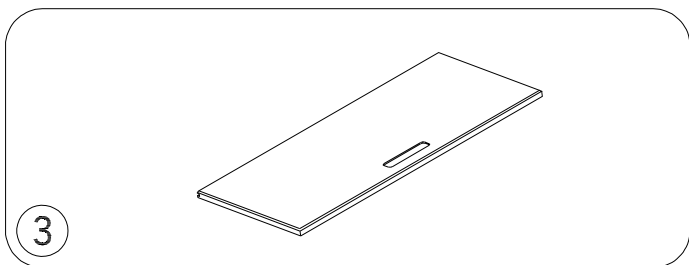
PART LIST



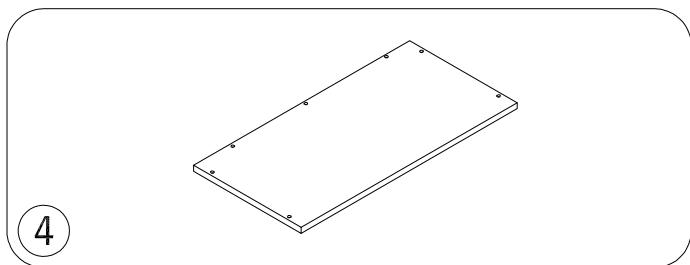
Left panel
1PCS



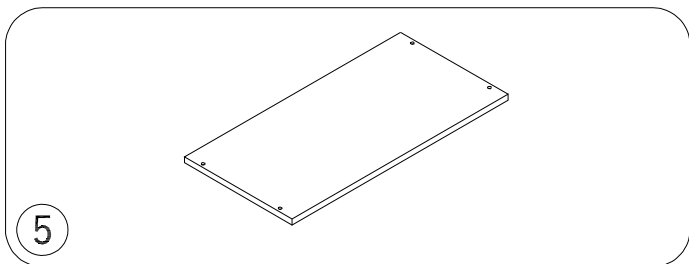
Inner panel
3PCS



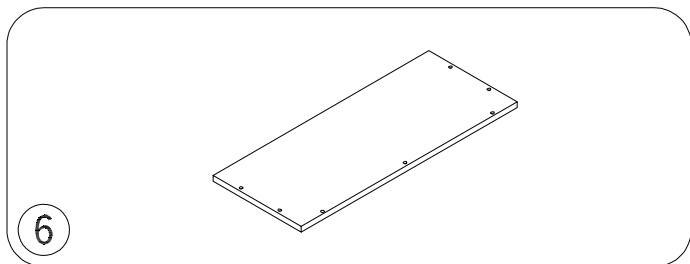
Right panel
1PCS



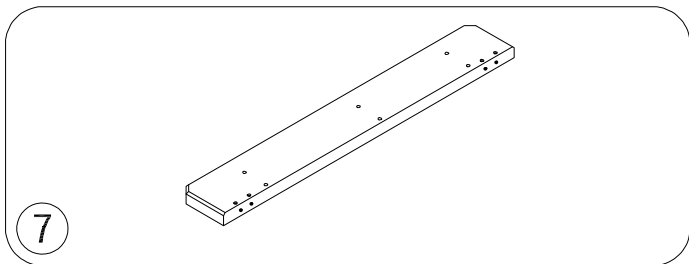
Edge bottom plate
1PCS



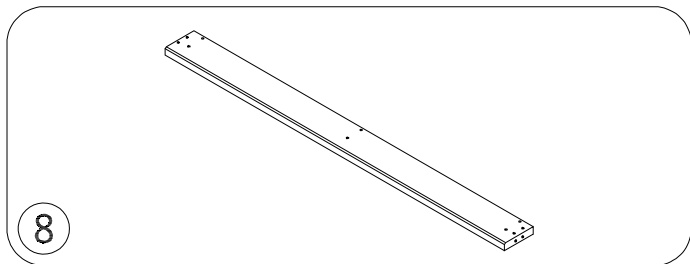
Inner bottom plate
3PCS



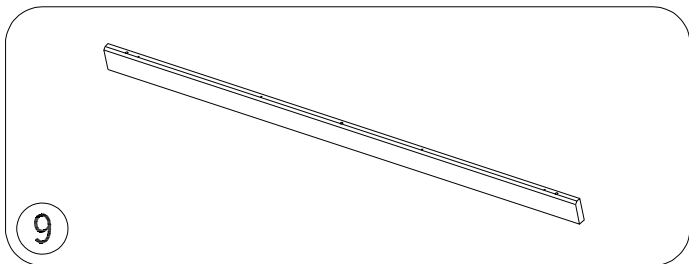
Edge bottom plate
1PCS



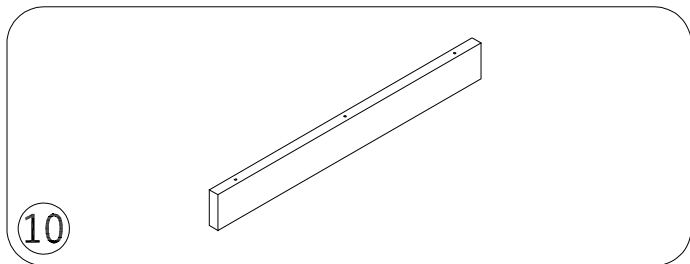
Panel short square
2PCS



Panel rectangular
2PCS

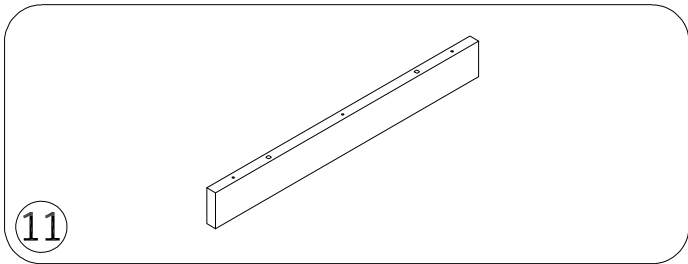


Innernal long pull strip
2PCS



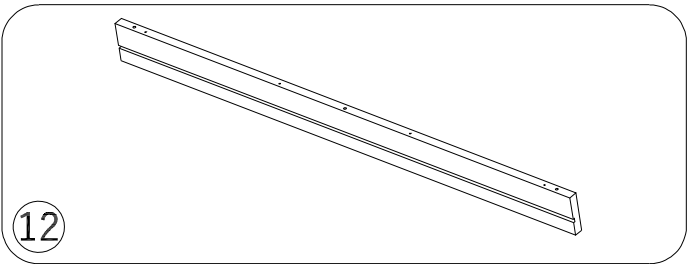
Internal short pull strip
1PCS

PART LIST



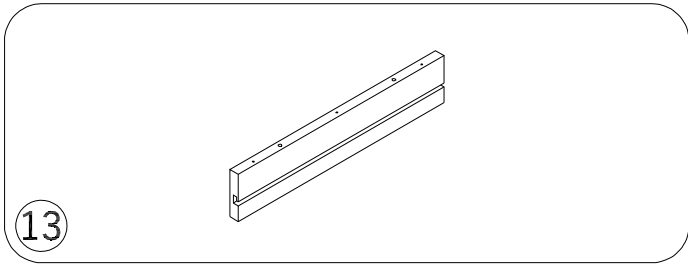
11

Internal short pull strip
1PCS



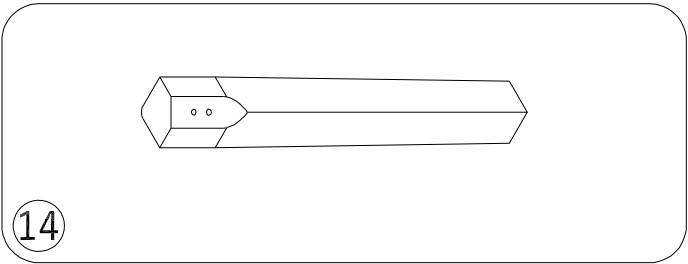
12

External long pull strip
2PCS



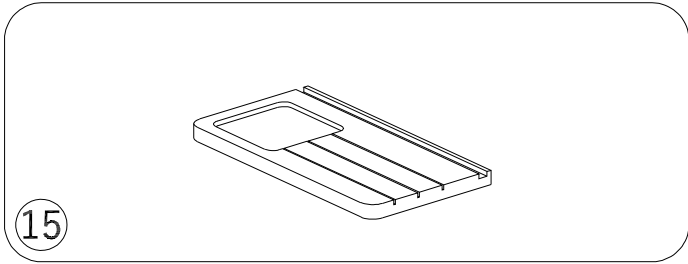
13

External short pull strip
2PCS



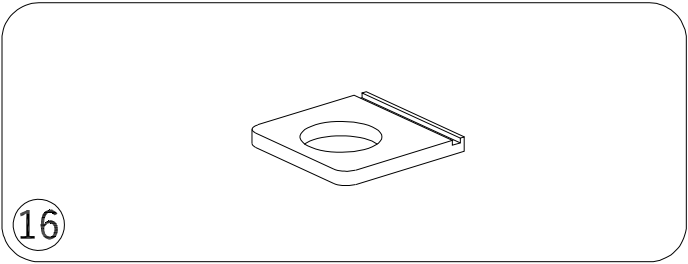
14

Foot
4PCS



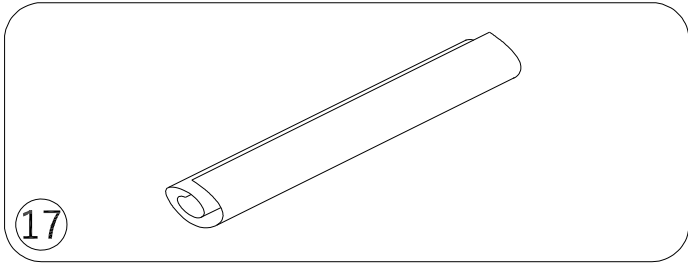
15

Tray
6PCS



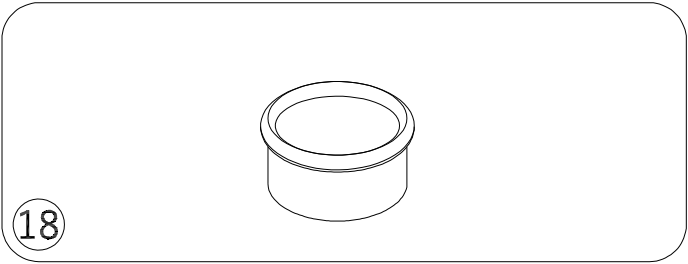
16

Cup holder
6PCS



17

Table mat
1PCS



18

Cup
6PCS

HARDWARE LIST



4x40

(A)

14+5PCS

Self tapping screws



4X45

(B)

14+5PCS

Self tapping screws



4x20

(C)

16+2PCS

Self tapping screws



8x30

(D)

26+5PCS

Wood screws

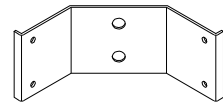


M8X30

(E)

8+1 PCS

Flat head screws



(F)

4 PCS

Connecting iron sheets

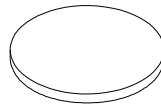


4x16

(G)

16+5PCS

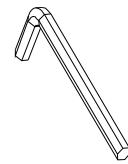
Self tapping screws



(H)

4+2 PCS

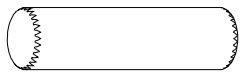
Foot pads



(I)

1 PCS

Allen key

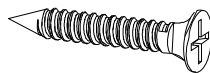


10X40

(J)

8+5PCS

Wood screws



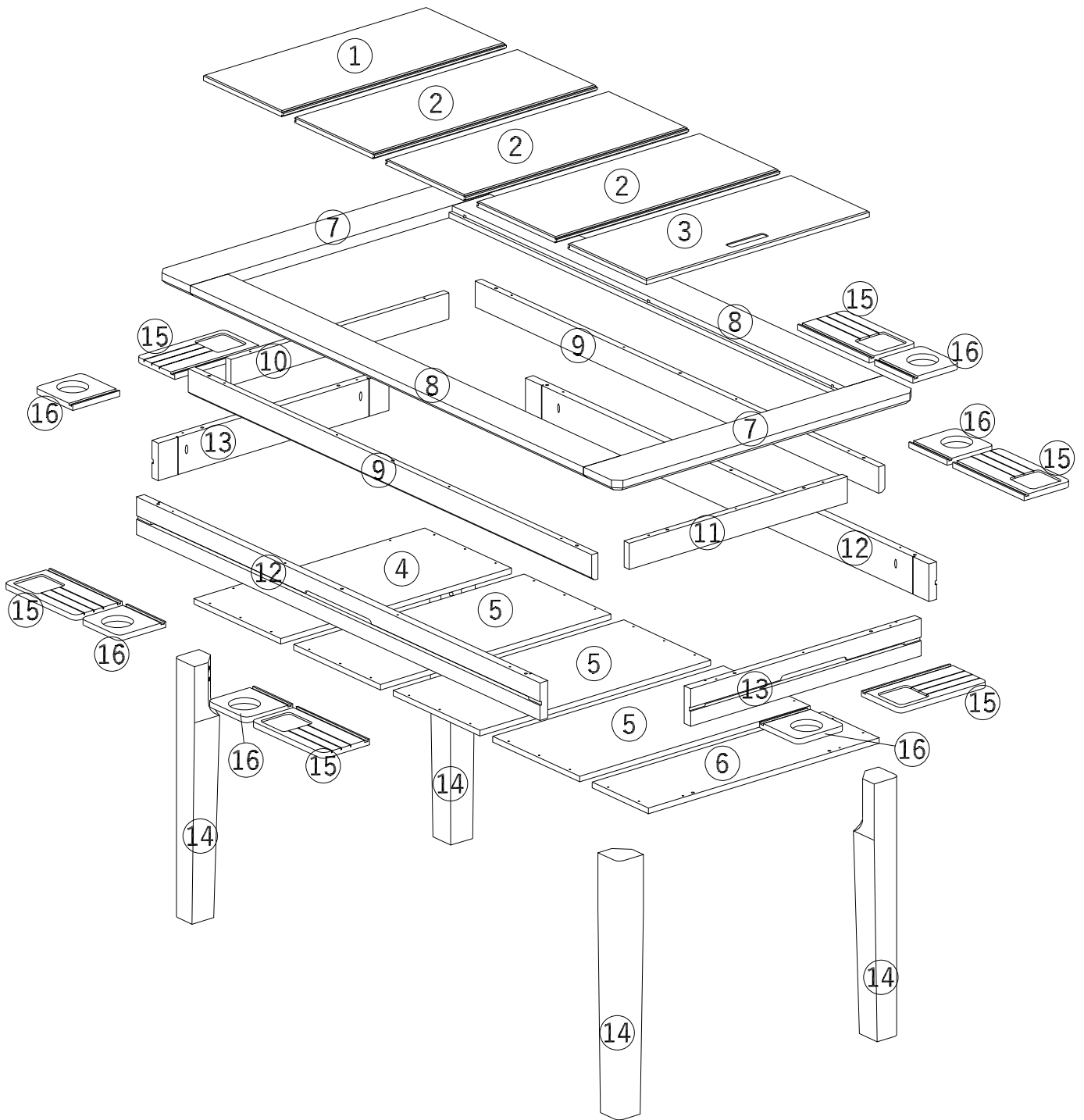
4X30

(K)

26+5PCS

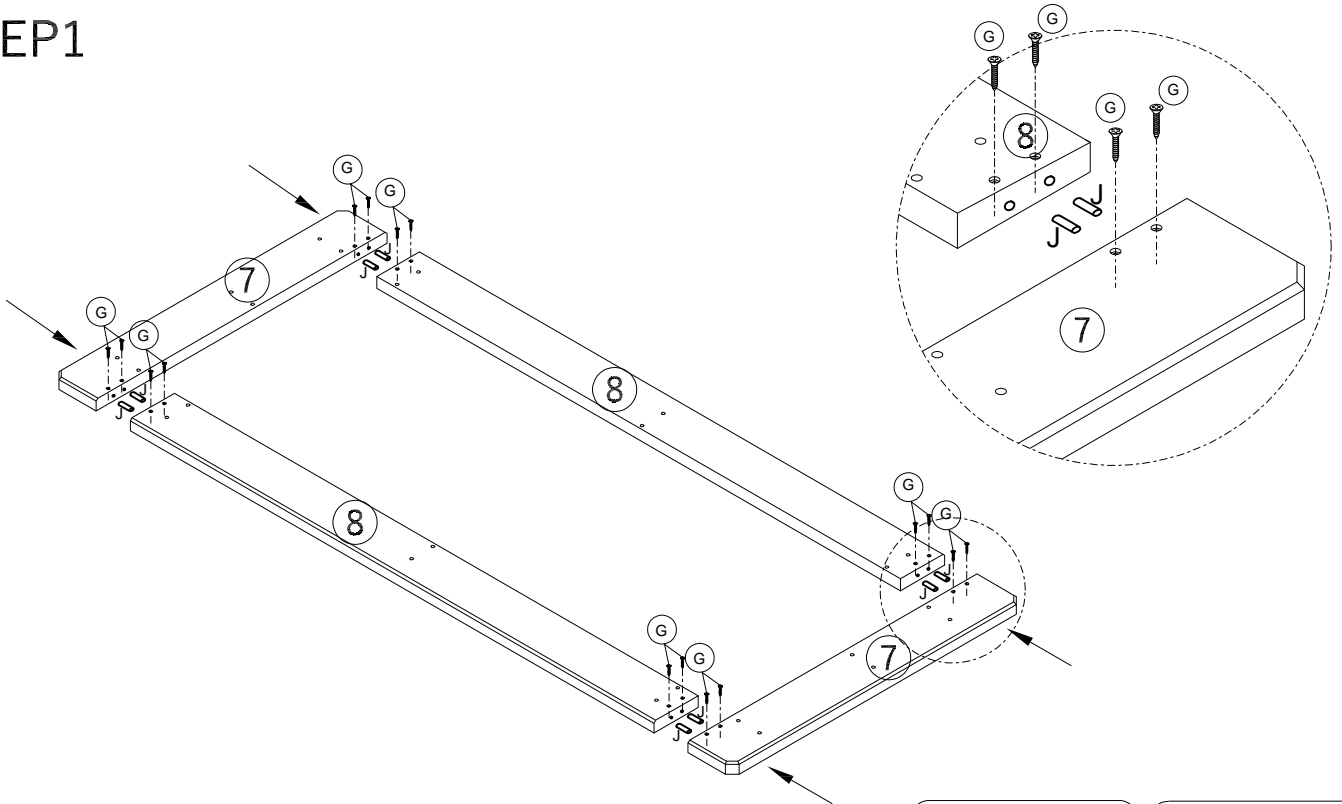
Self tapping screws


EXPLODED VIEW




INSTALLATION STEPS

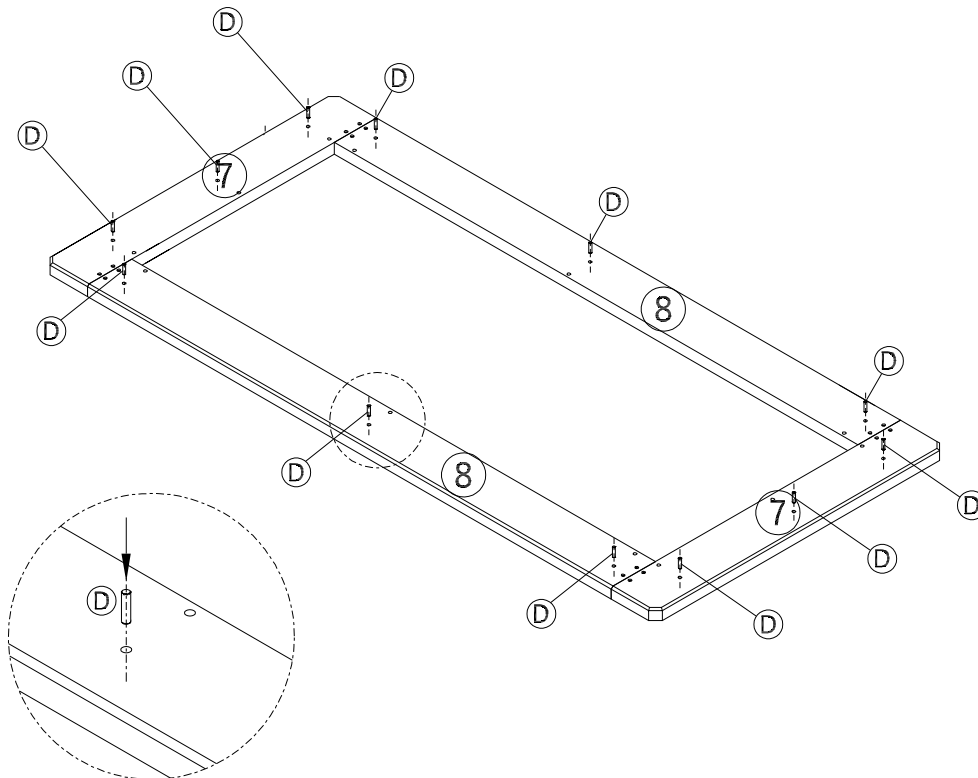
STEP1





10X40
(J) 8PCS


4x16
(G) 16PCS

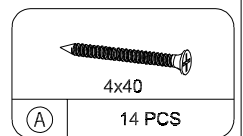
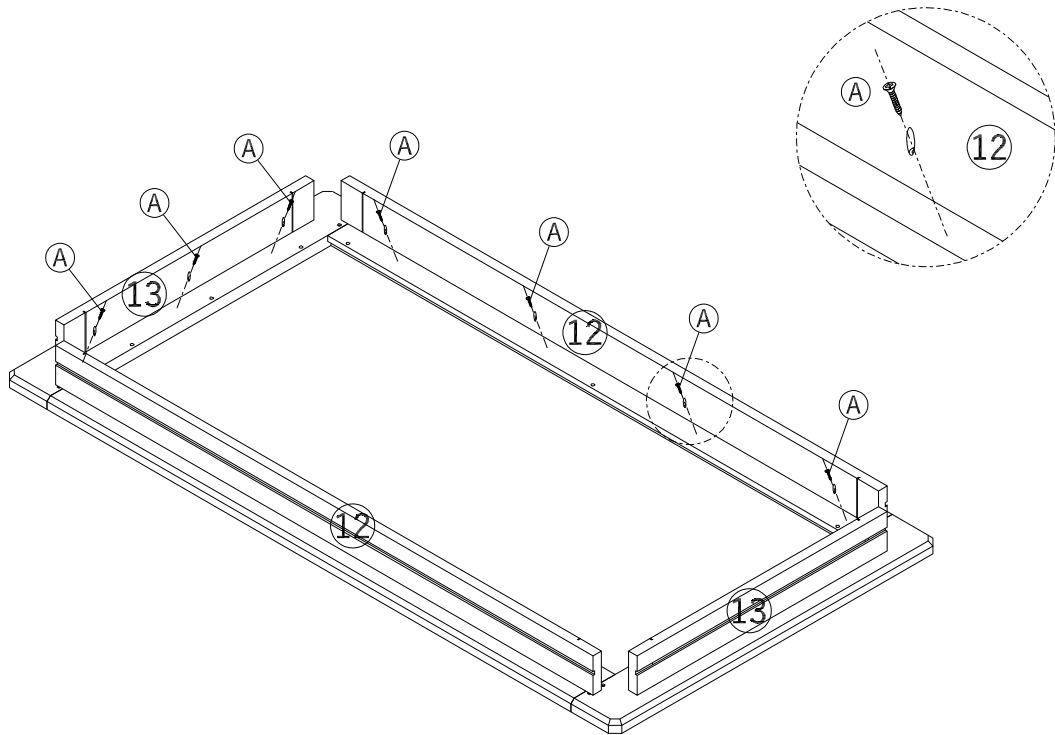
STEP2



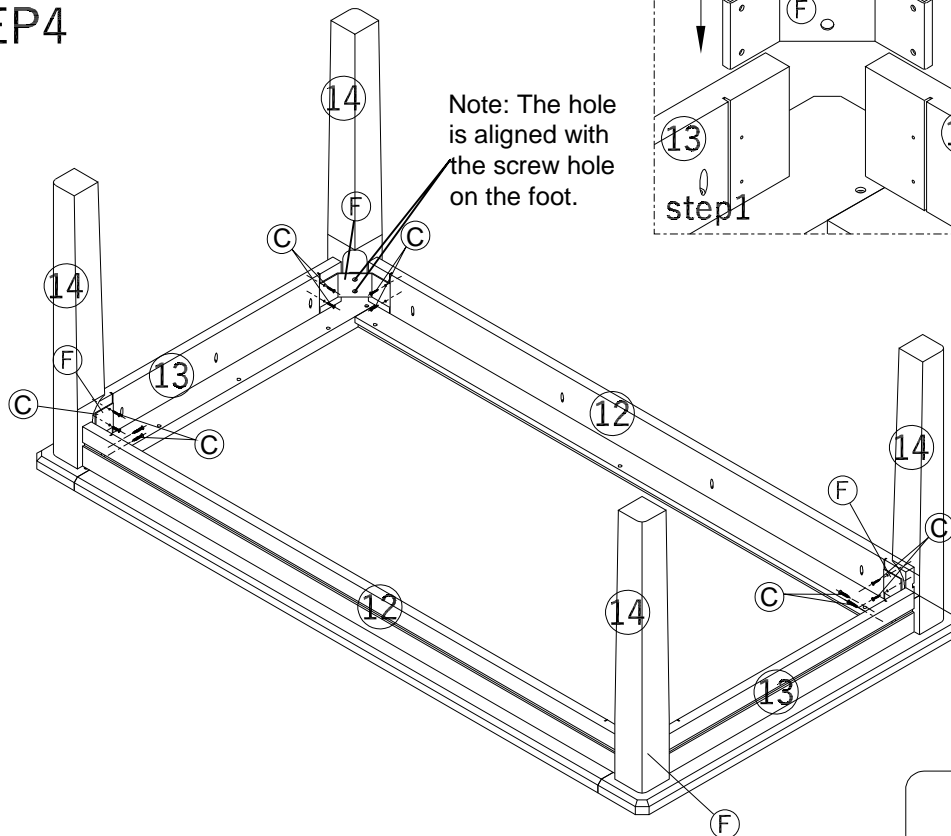

8x30
(D) 12PCS

INSTALLATION STEPS

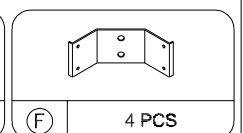
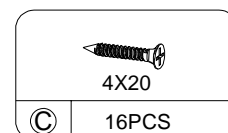
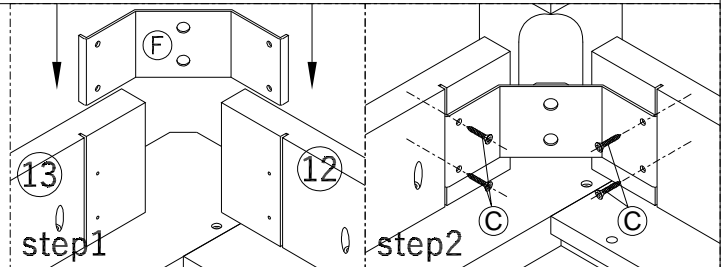
STEP 3



STEP 4

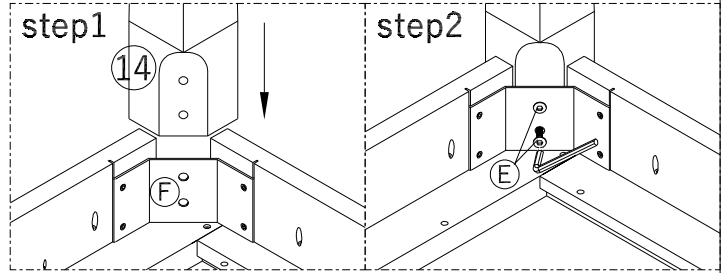
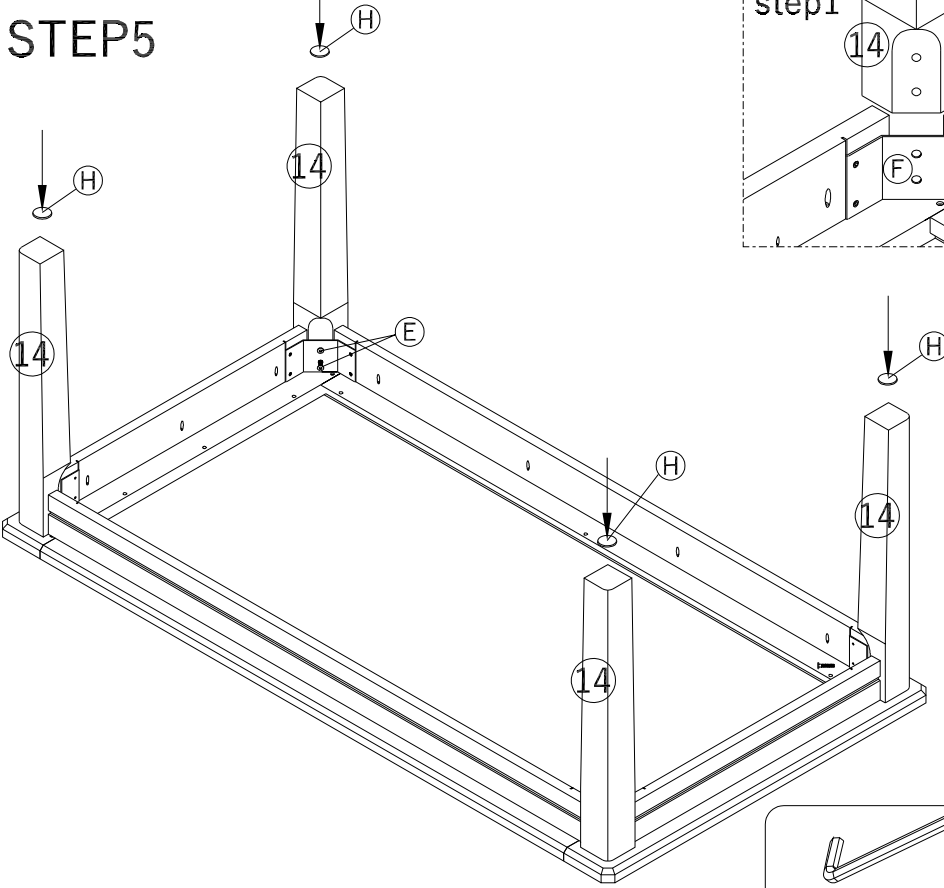


Note: The hole is aligned with the screw hole on the foot.

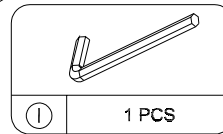


INSTALLATION STEPS

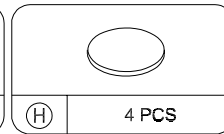
STEP5



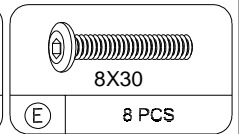
Warning: Do not use an electric screwdriver for this step



① 1 PCS

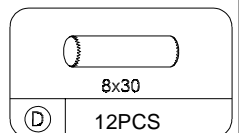
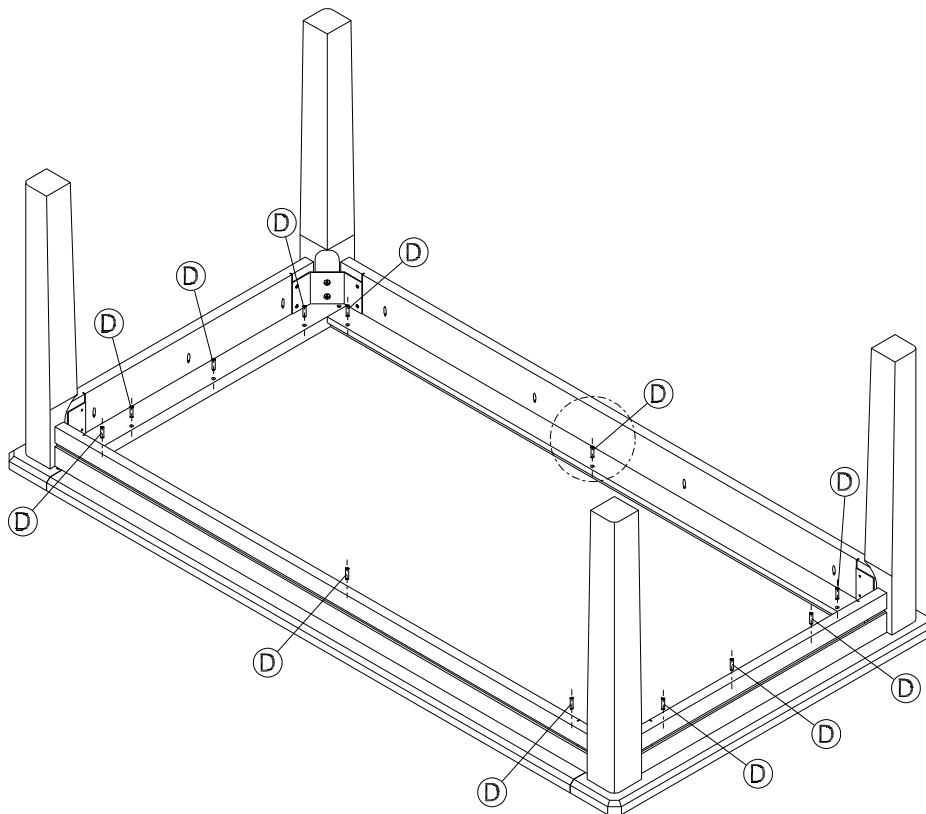


④ 4 PCS



⑤ 8X30
8 PCS

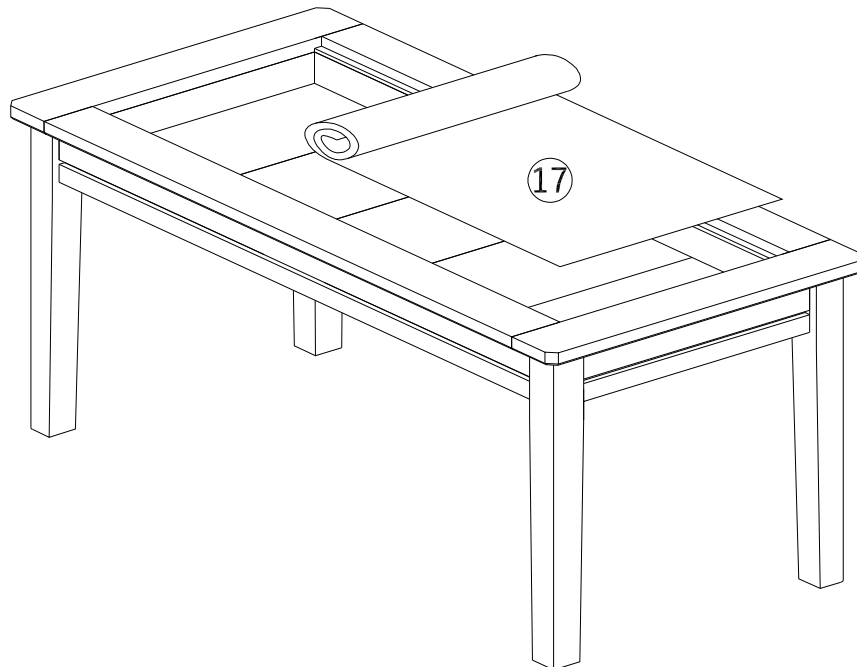
STEP6



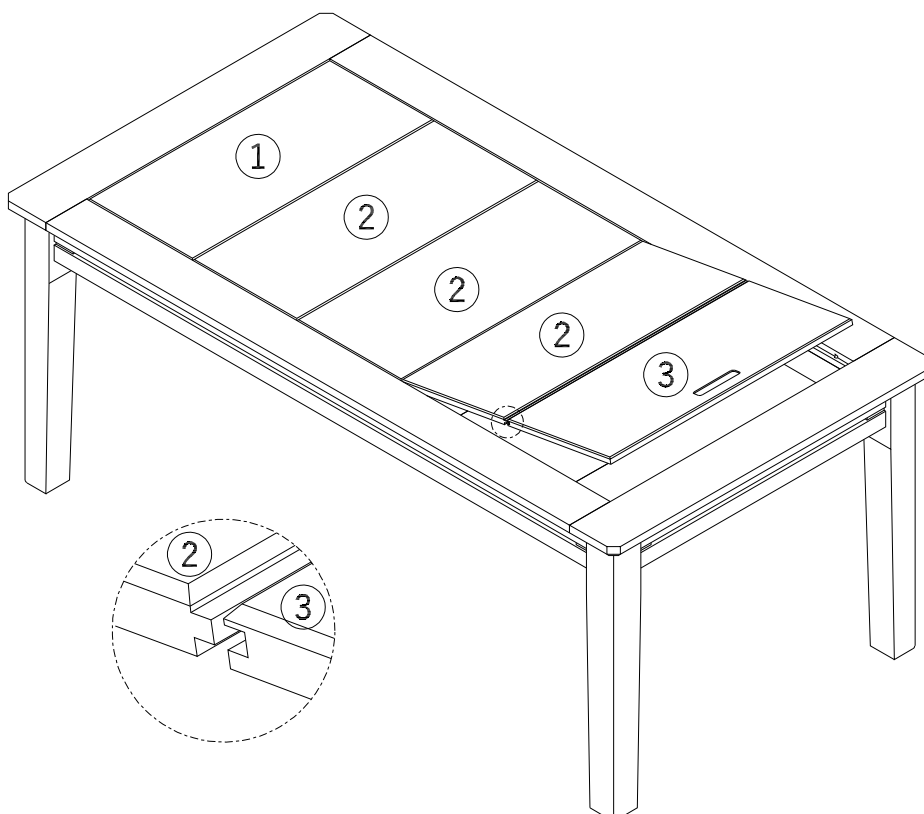
⑥ 8x30
12PCS

INSTALLATION STEPS

STEP 9

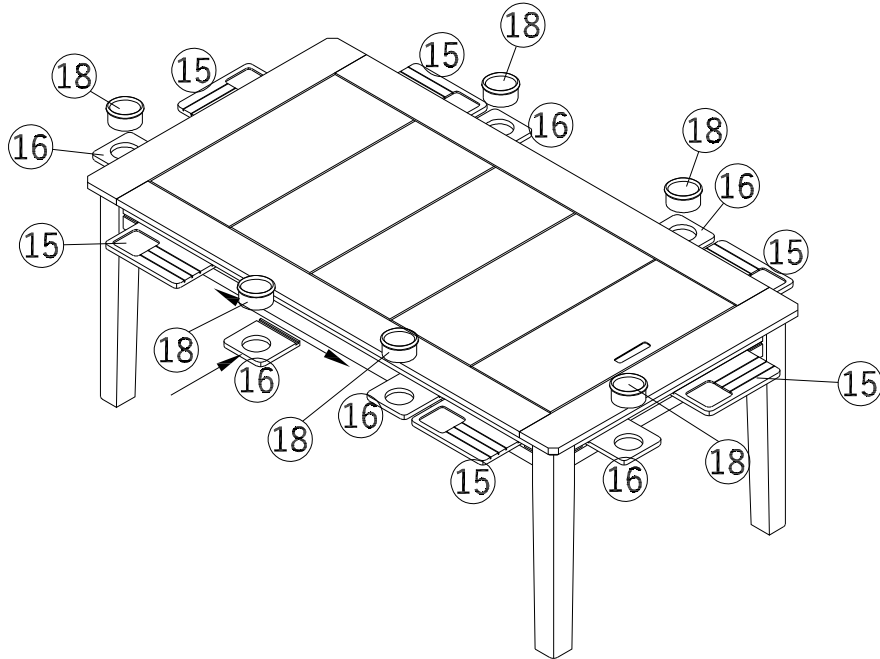


STEP 10



INSTALLATION STEPS

STEP11



STEP12

