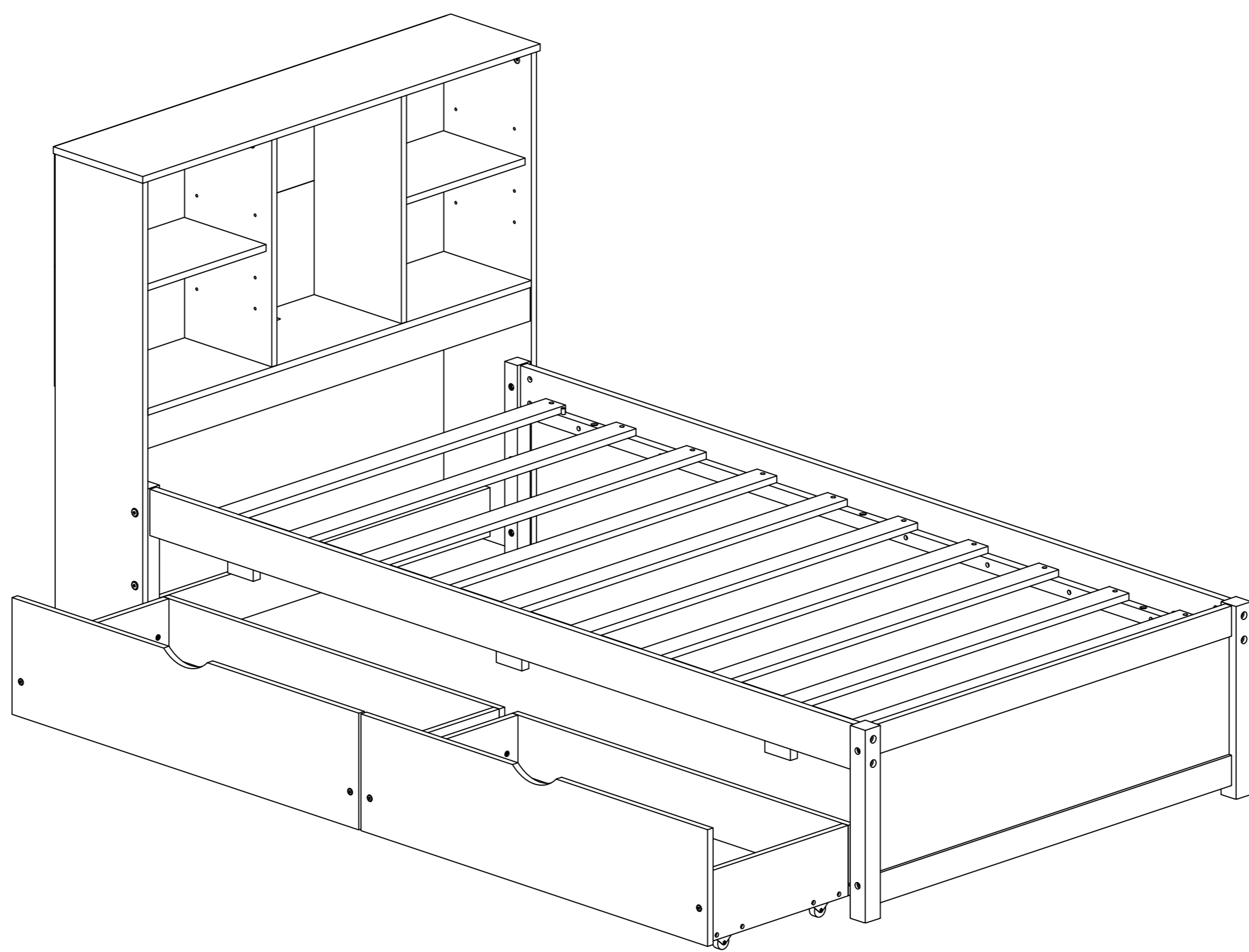
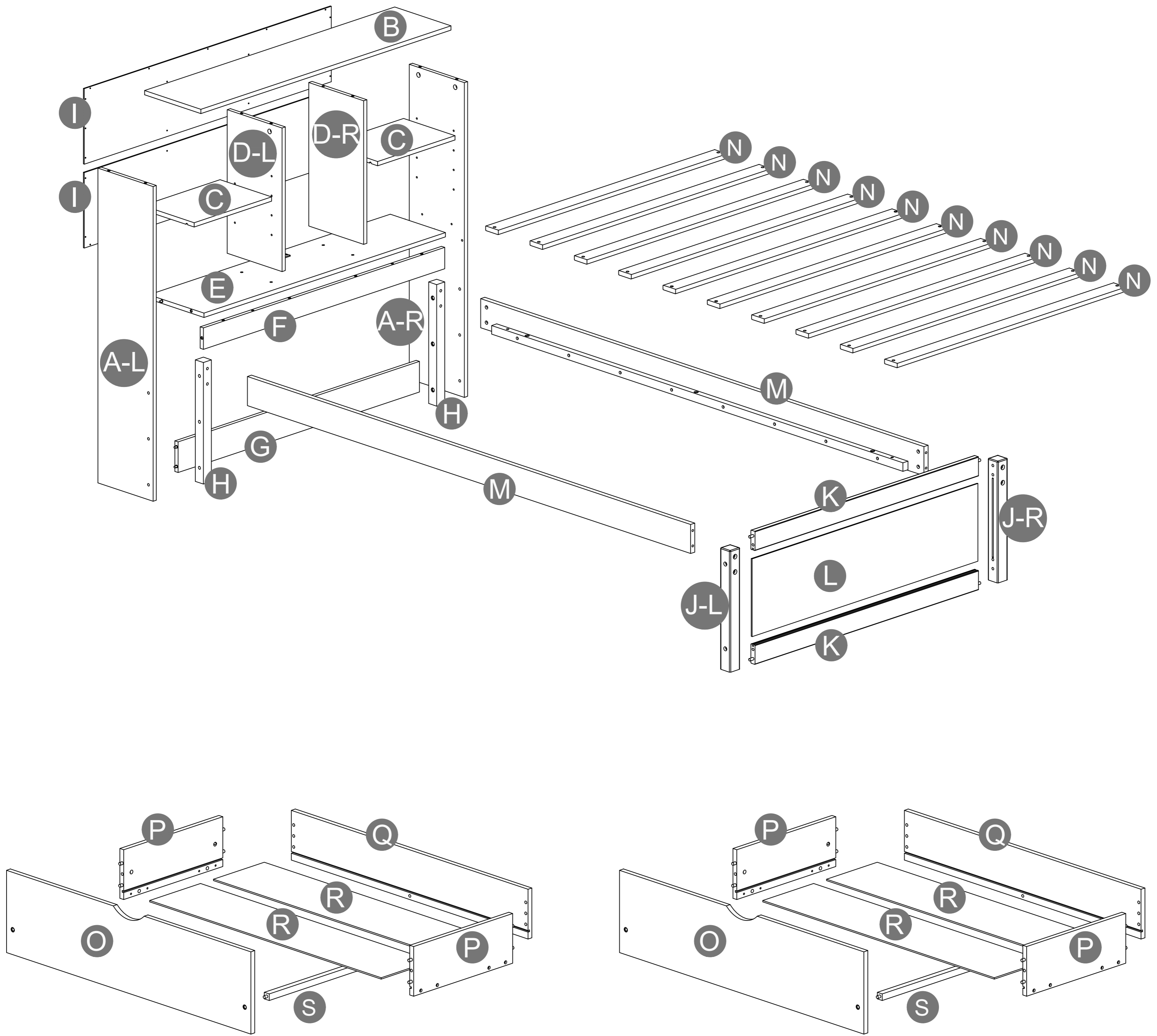


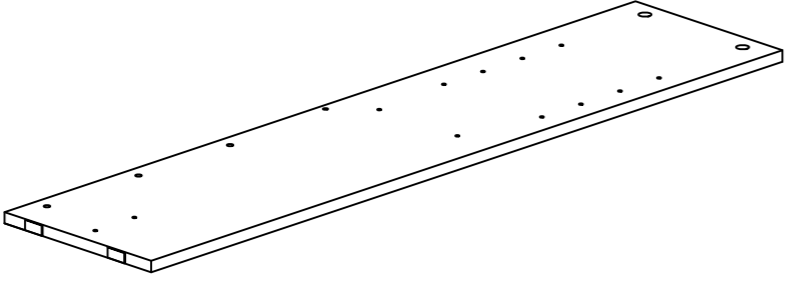
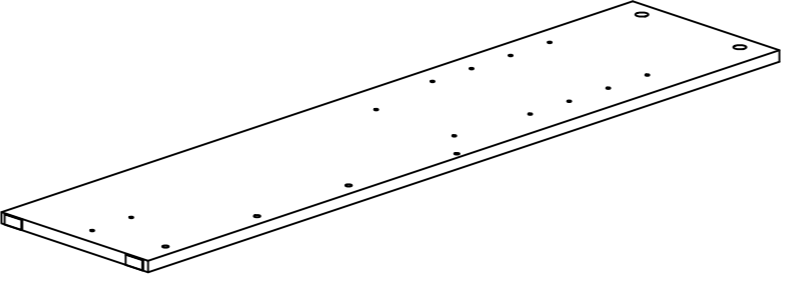
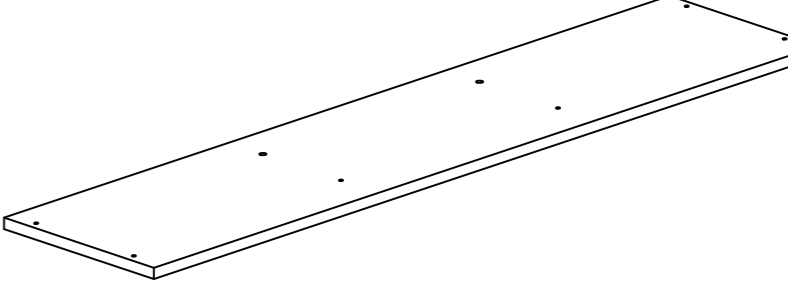
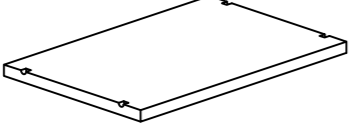
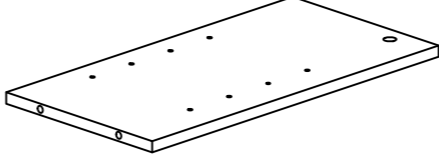
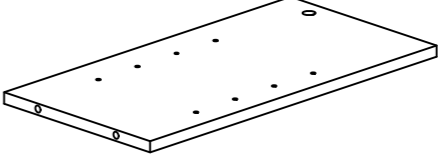
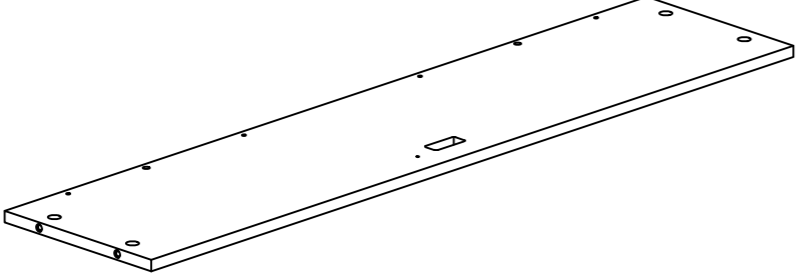
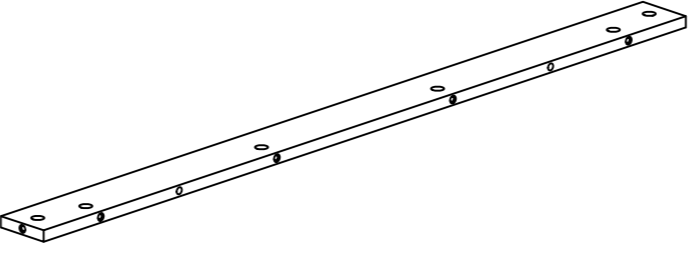
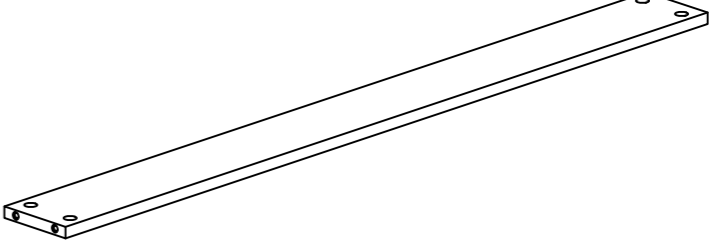
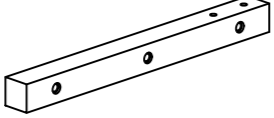
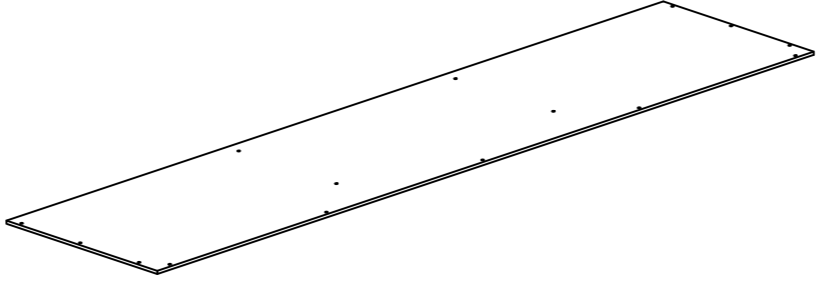
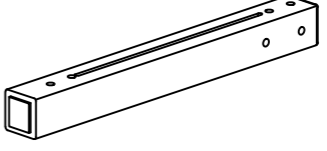
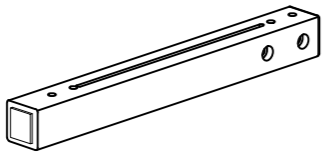
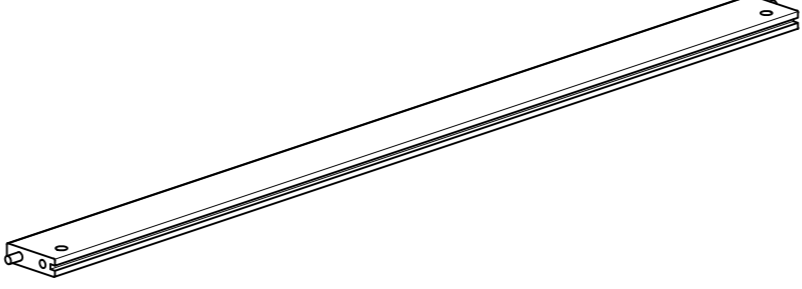
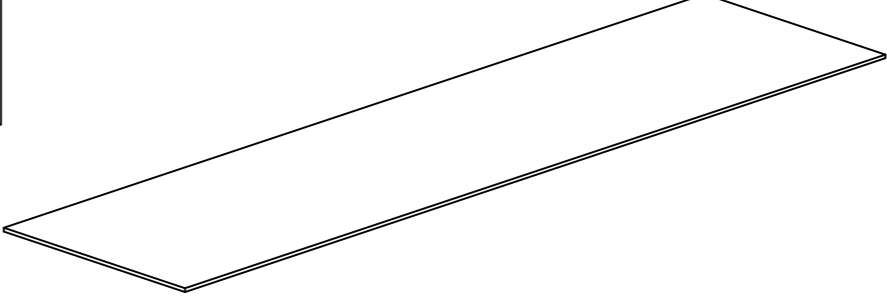
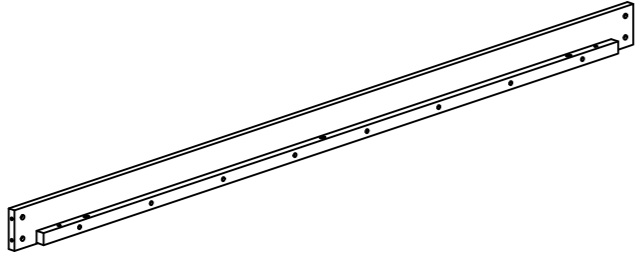
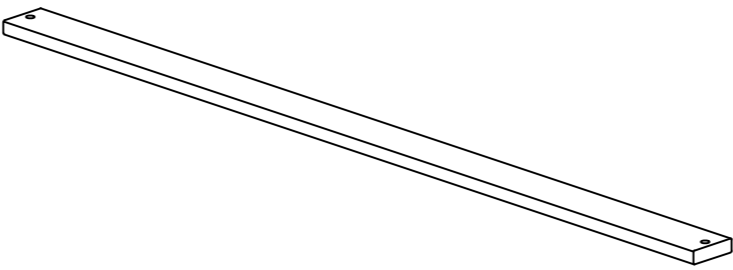
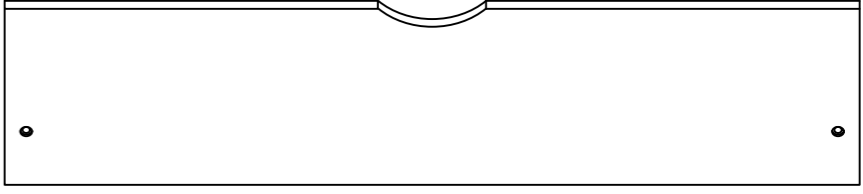
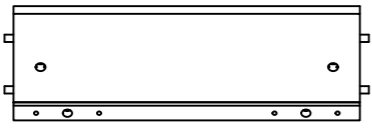
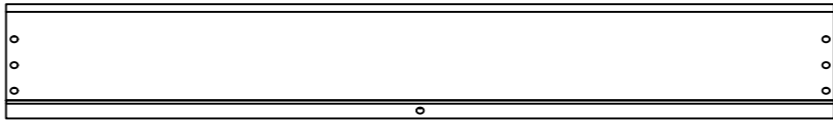

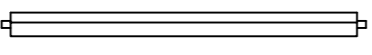
# ASSEMBLY INSTRUCTIONS



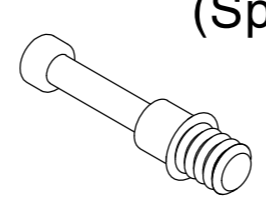
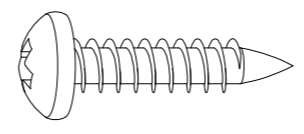
# Detail View



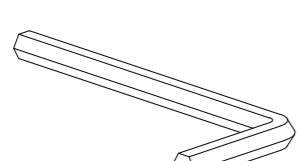
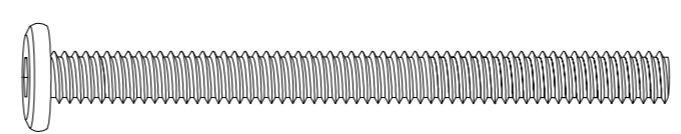
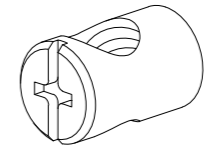
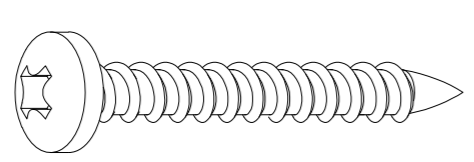
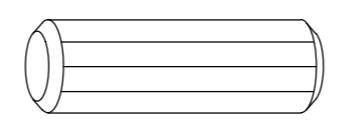
# Part List

<p><b>A-L</b></p>  <p>Vertical side panel HB (Left)-1pc</p>	<p><b>A-R</b></p>  <p>Vertical side panel HB (Right)-1pc</p>	<p><b>B</b></p>  <p>Horizontal upper Panel HB-1pc</p>
<p><b>C</b></p>  <p>Shelf Panel HB-2pcs</p>	<p><b>D-L</b></p>  <p>Vertical inside Panel (Left)-1pc</p>	<p><b>D-R</b></p>  <p>Vertical inside Panel (Right)-1pc</p>
<p><b>E</b></p>  <p>Horizontal middle Panel HB-1pc</p>	<p><b>F</b></p>  <p>Horizontal middle bar HB-1pc</p>	<p><b>G</b></p>  <p>Horizontal bottom bar HB-1pc</p>
<p><b>H</b></p>  <p>Vertical bottom bar HB-2pcs</p>	<p><b>I</b></p>  <p>Back Panel HB-2pcs</p>	<p><b>J-L</b></p>  <p>Footboard leg (Left)-1pc</p>
<p><b>J-R</b></p>  <p>Footboard leg (Right)-1pc</p>	<p><b>K</b></p>  <p>Horizontal bar FB-2pcs</p>	<p><b>L</b></p>  <p>Footboard panel-1pc</p>
<p><b>M</b></p>  <p>Side rail-2pcs</p>	<p><b>N</b></p>  <p>Slat-10pcs</p>	<p><b>O</b></p>  <p>Front panel of drawer - 2pcs</p>
<p><b>P</b></p>  <p>Side panel of drawer - 4pcs</p>	<p><b>Q</b></p>  <p>Back panel of drawer - 2pcs</p>	<p><b>R</b></p>  <p>Bottom panel of drawer-4pcs</p>
<p><b>S</b></p>  <p>Crossprece-2pcs</p>		

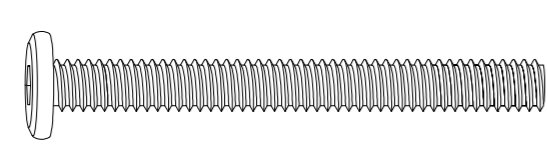
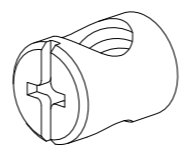
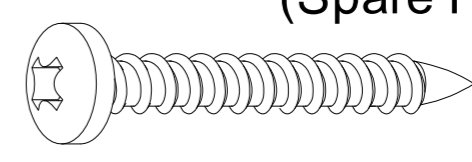
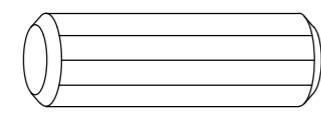
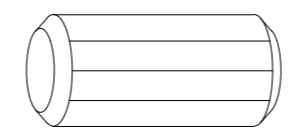
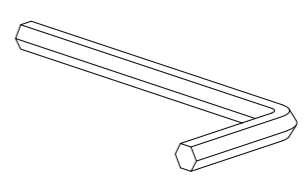
# Hardware List of HB

<b>1</b>	 (1/4")4*60mm Allen key (1pc)	<b>2</b>	 (Spare Hardware-2pcs) Ø6*32.5mm Three in one bolts (22pcs)	<b>3</b>	 (Spare Hardware-2pcs) Ø15*9.5mm Three in one lock (22pcs)
<b>4</b>	 (Spare Hardware-1pc) Ø5*16mm Shelf pin (9pcs)	<b>5</b>	 (Ø17)1/4"*45mm Hex-Head bolts (6pcs)	<b>6</b>	 (Ø12)1/4"*70mm Hex-Head bolts (4pcs)
<b>7</b>	 1/4"*15mm Horizontal-Hole bolts(4pcs)	<b>8</b>	 (Spare Hardware-2pcs) Ø3*14mm Wood screws (32pcs)	<b>9</b>	 (Spare Hardware-1pc) Ø8*25mm Wood dowel (9pcs)

# Hardware List of FB+SR+SLAT

<b>10</b>	 (1/4")4*60mm Allen key (1pc)	<b>11</b>	 (Spare Hardware-1pc) (Ø12)1/4"*70mm Hex-Head bolts (9pcs)	<b>12</b>	 (Spare Hardware-1pc) 1/4"*15mm Horizontal-Hole bolts(9pcs)
<b>13</b>	 (Spare Hardware-2pcs) Ø4*25mm Wood screws (22pcs)	<b>14</b>	 Ø8*25mm Wood dowel (4pcs)		

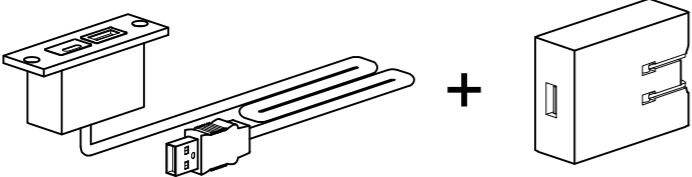
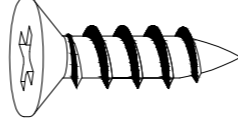
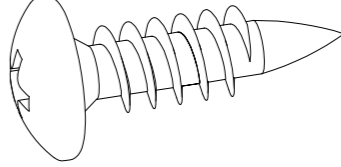
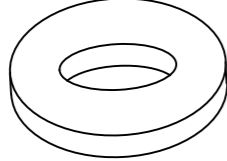
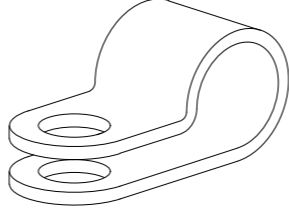
# Hardware List of 2 DRAWERS

<b>15</b>	 (Spare Hardware-1pc) (Ø12)1/4"*55mm Hex-Head bolts (12pcs)	<b>16</b>	 (Spare Hardware-1pc) 1/4"*12mm Horizontal-Hole bolts(9pcs)	<b>17</b>	 (Spare Hardware-2pcs) Ø4*25mm Wood screws (18 pcs)
<b>18</b>	 Ø8*25mm Wood dowel (3pcs)	<b>19</b>	 (Spare Hardware-1pc) Ø10*20mm Wood dowel (9pcs)	<b>20</b>	 (1/4")4*60mm Allen key (1pc)

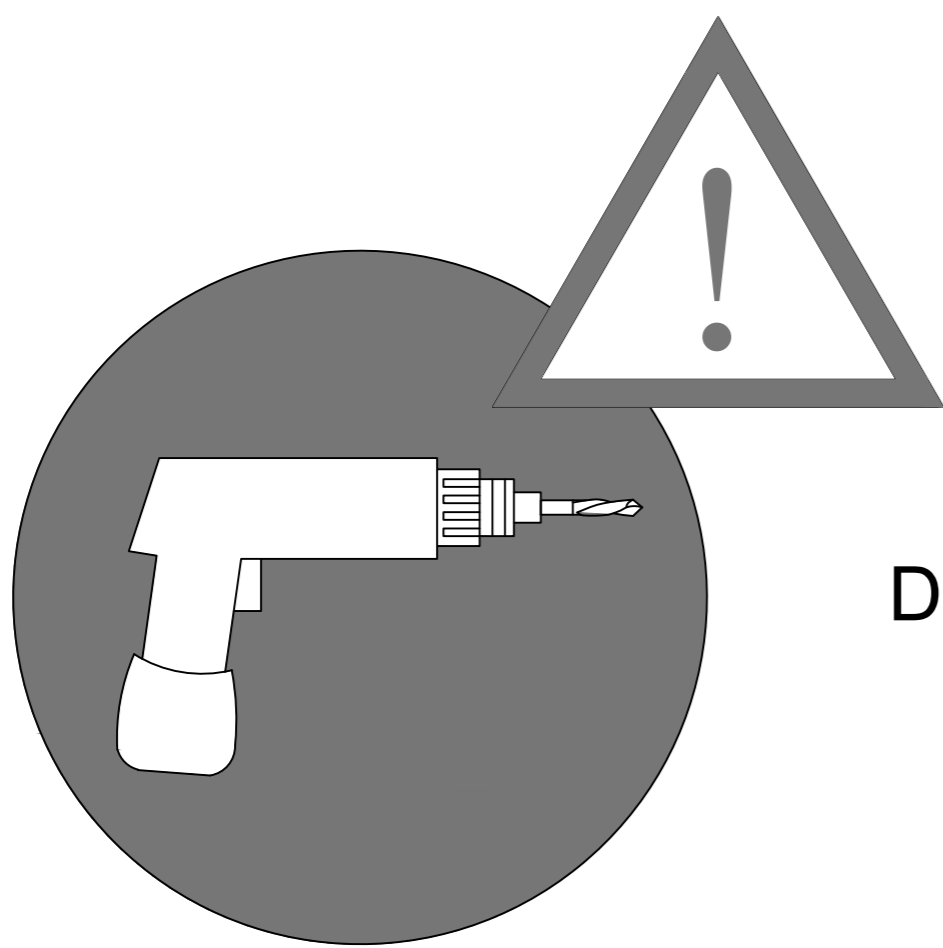
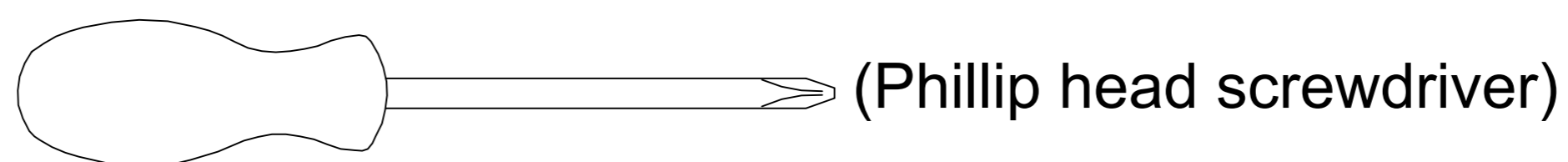
# Hardware List (FB+SR+SLAT: 3/3)

<b>21</b>	 100*53*19mm Wheels (8pcs)	<b>22</b>	 70*38*19mm Stopper (3pcs)
-----------	---	-----------	--

# Hardware List of USB

<b>22</b>  68*22*30mm USB +POWER (1pc)	<b>23</b>  Ø3*12.5mm Wood screws (2pcs)	<b>24</b>  Ø5*14mm Wood screws (1pc)
<b>25</b>  1/4"*Ø12.5*1.2mm Flat washer (1pc)	<b>26</b>  21*10*9mm Cable Clip (1pc)	

## ASSEMBLY TOOLS REQUIRED ( NOT INCLUDED )

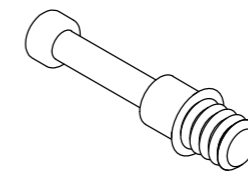


DO NOT USE POWER TOOLS TO ASSEMBLE THIS PRODUCT !

**Remark: We recommend you assemble your bed in the flat ground.**

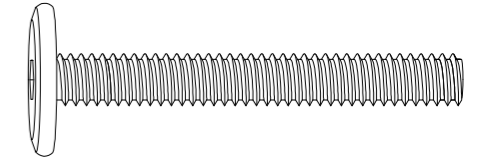
**STEP 1:**

**2**

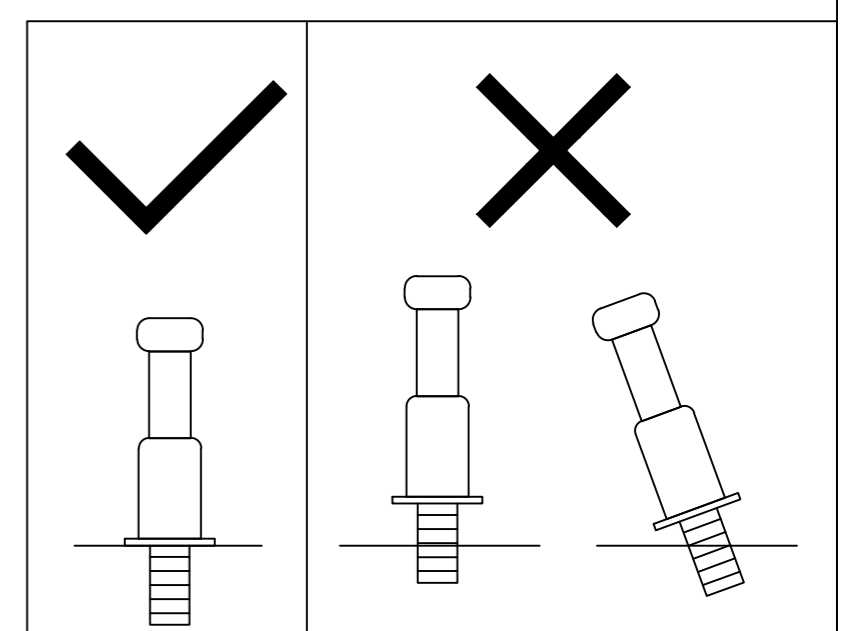
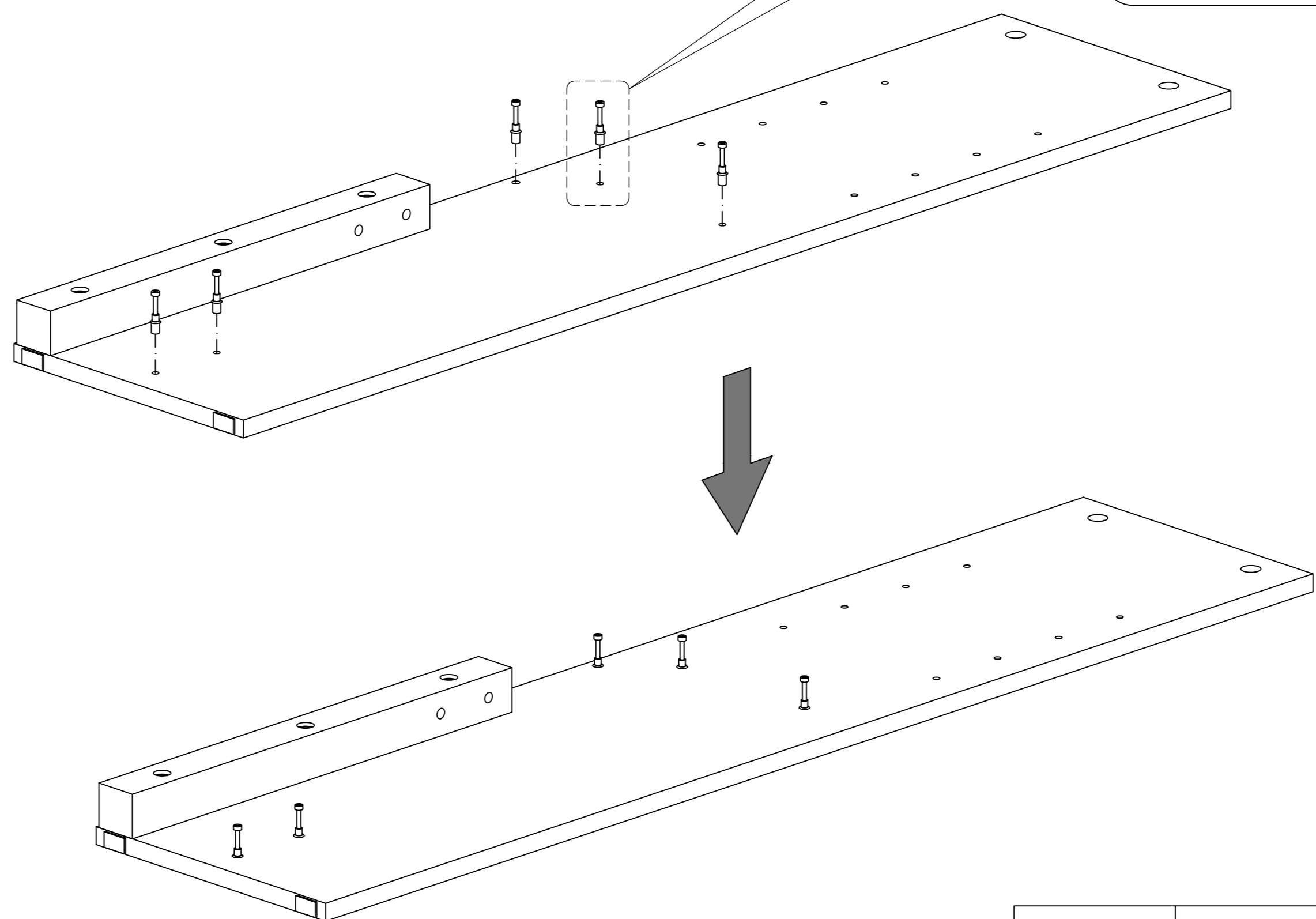
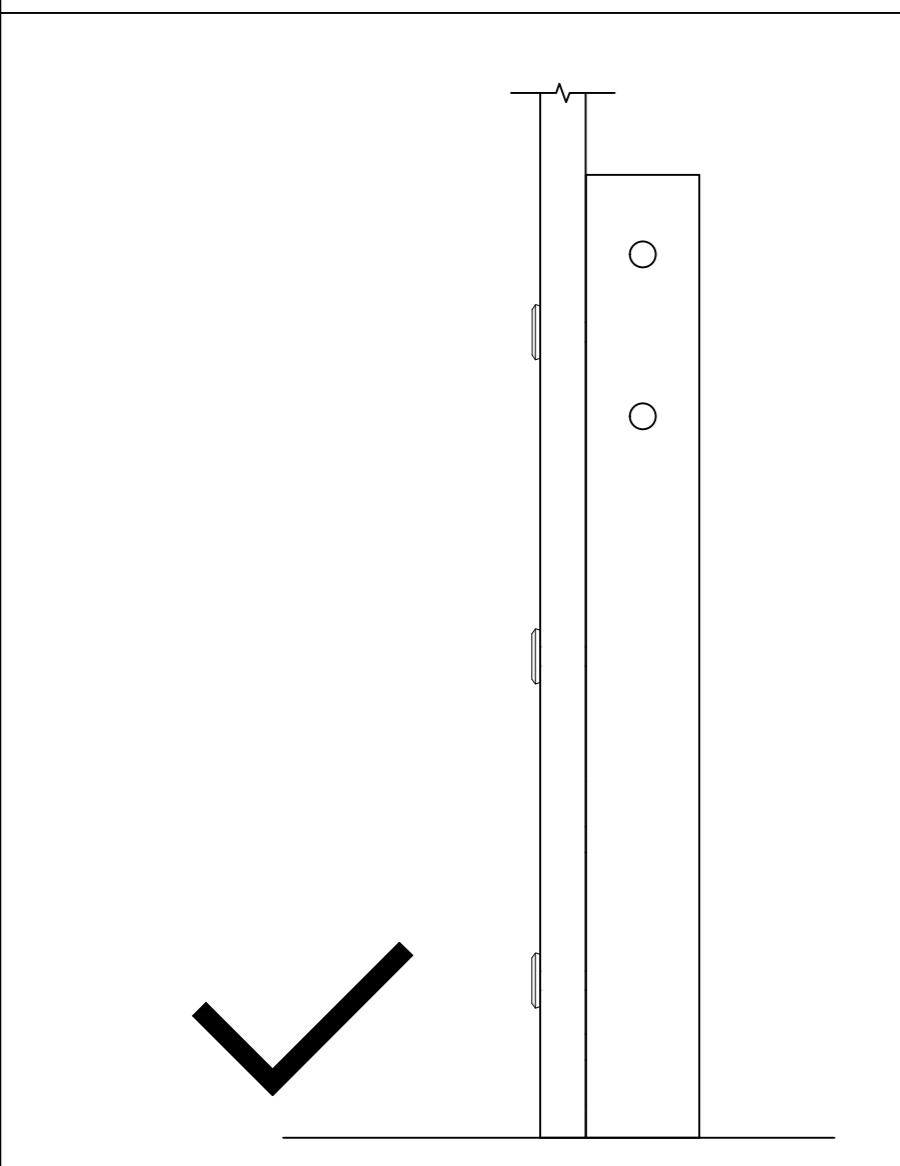
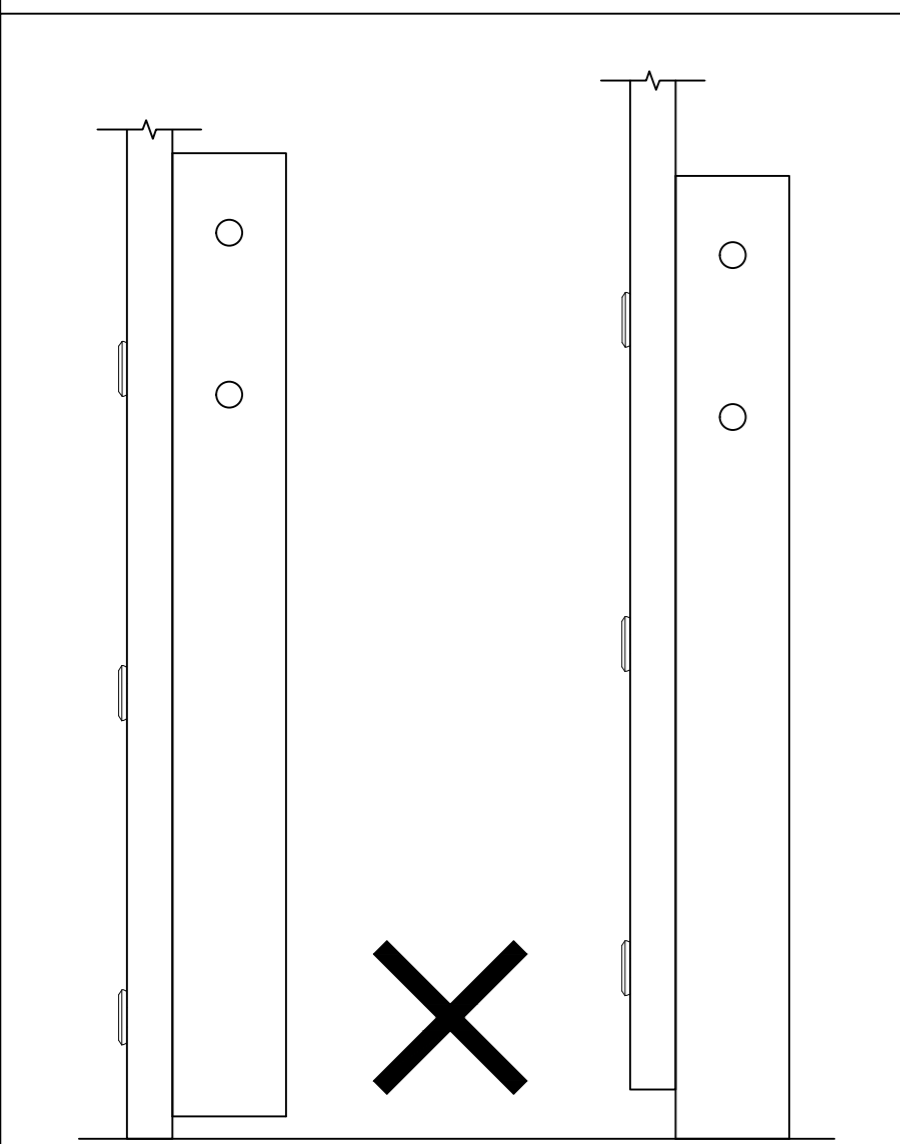
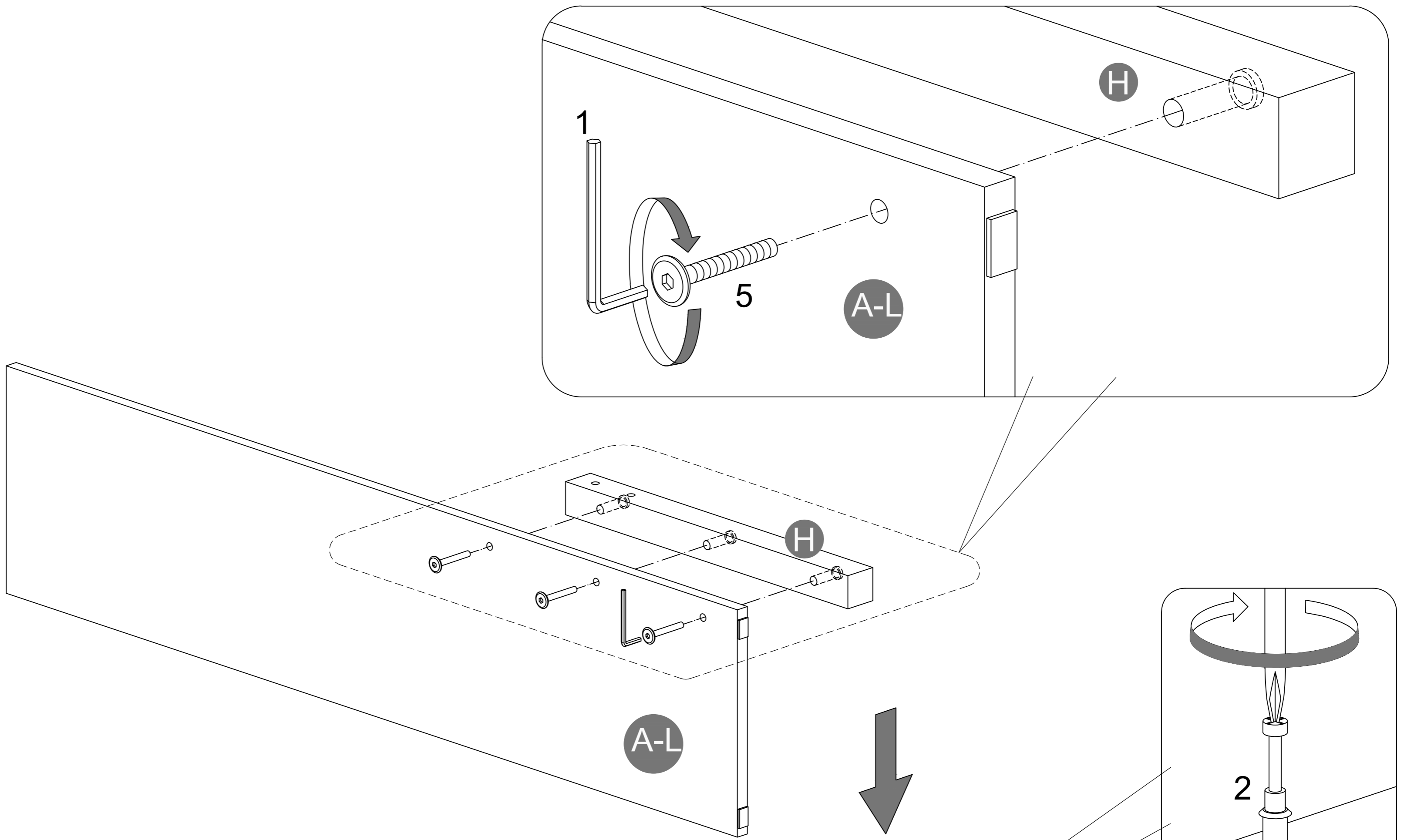


5pcs

**5**

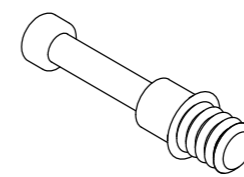


3pcs



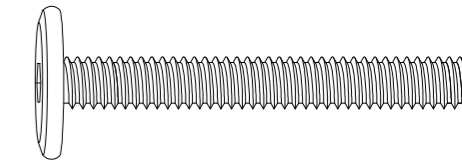
# STEP 2:

2

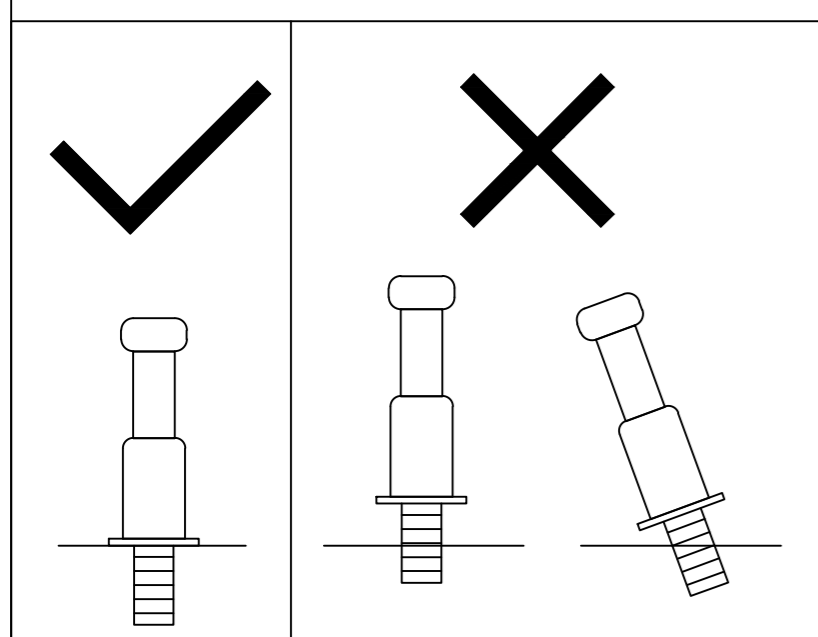
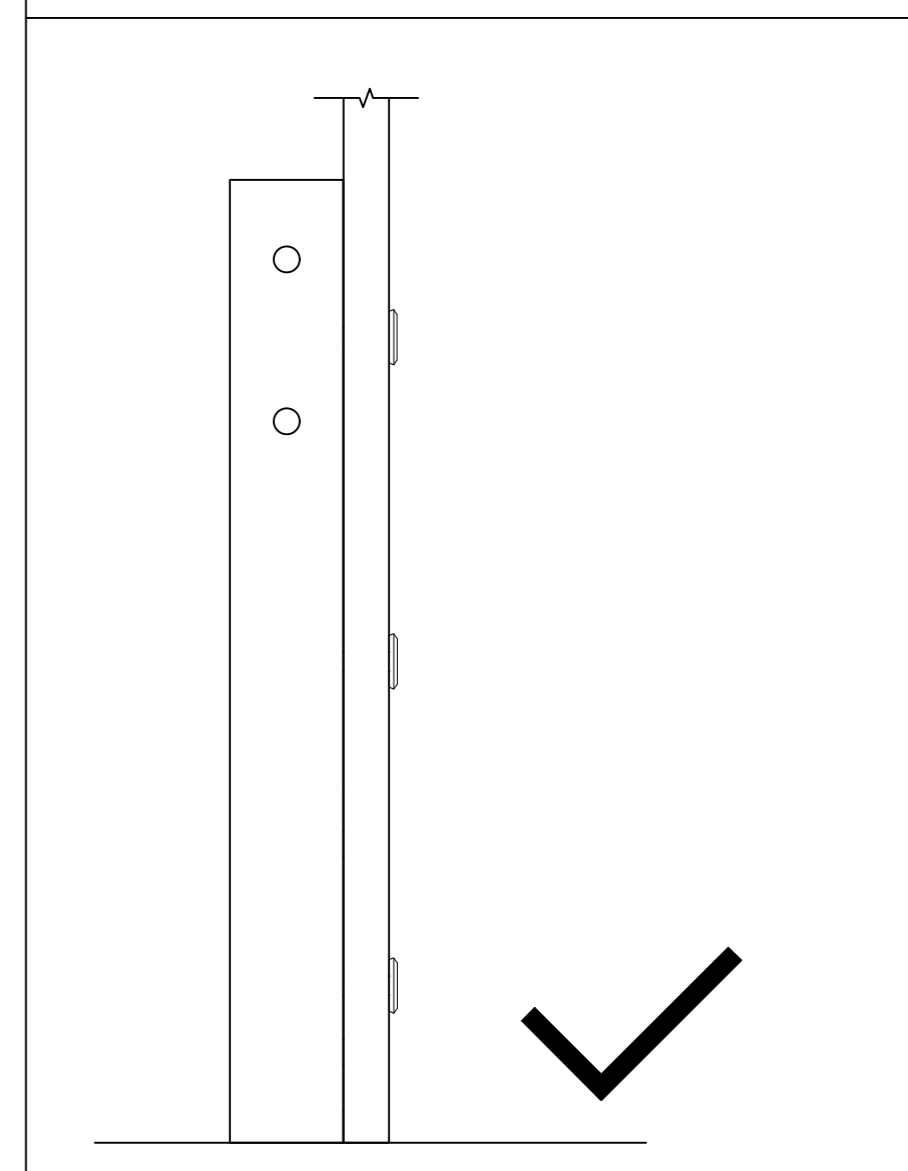
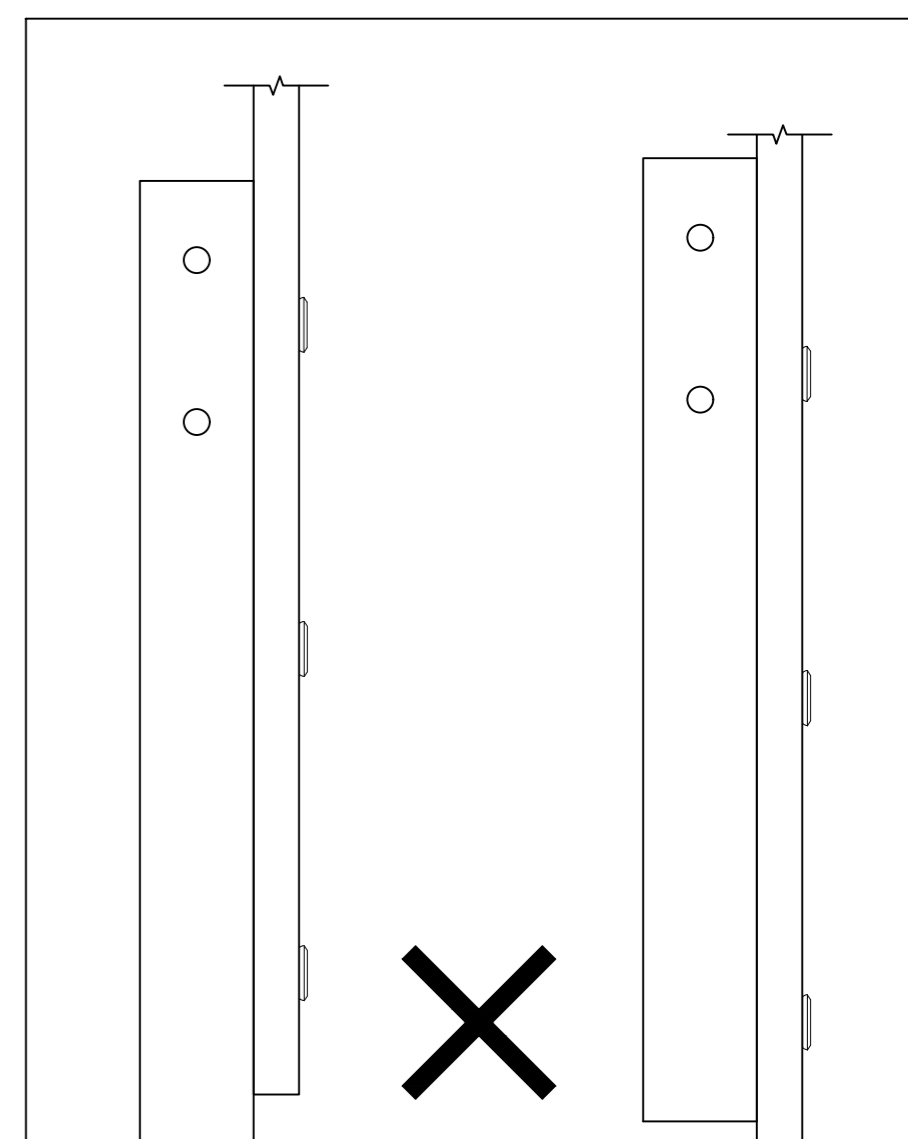
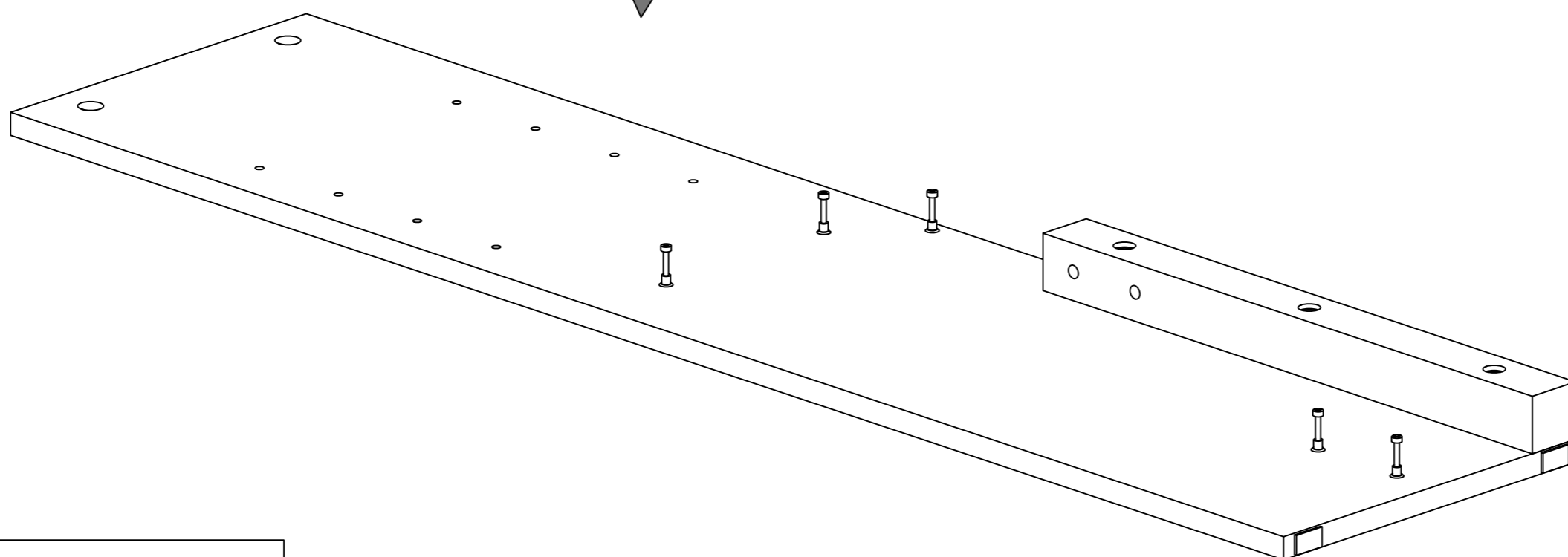
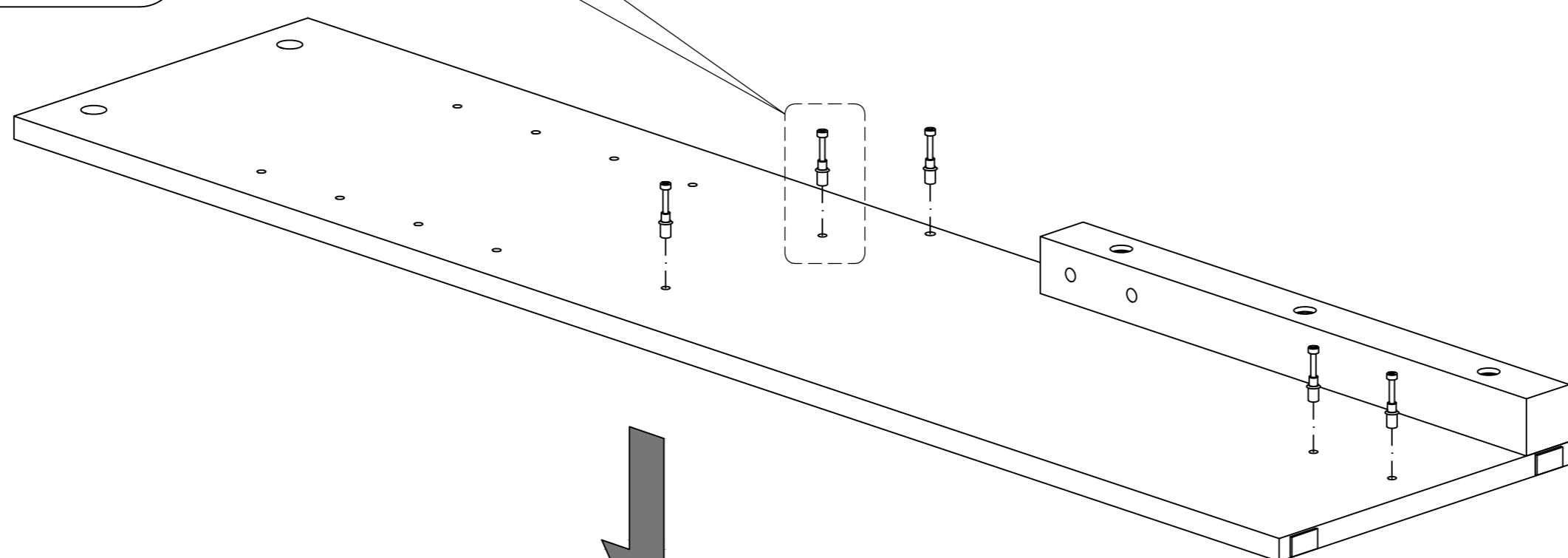
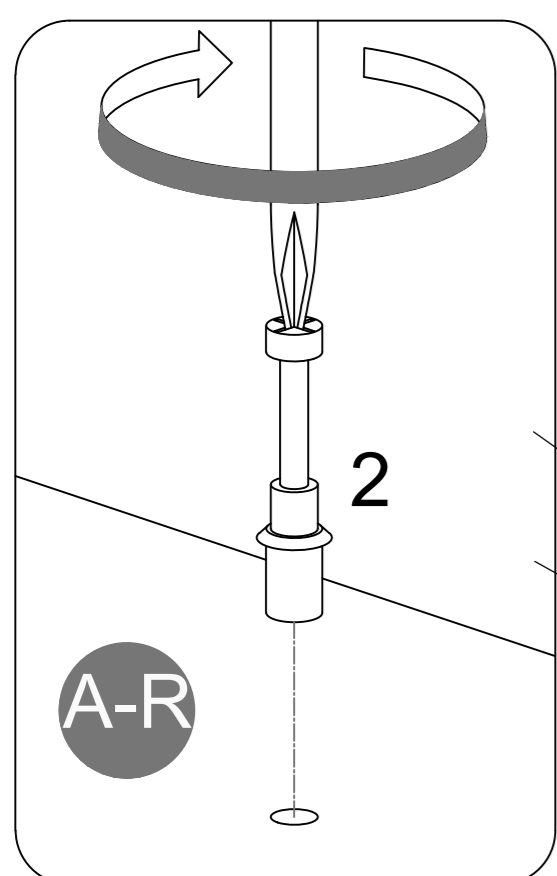
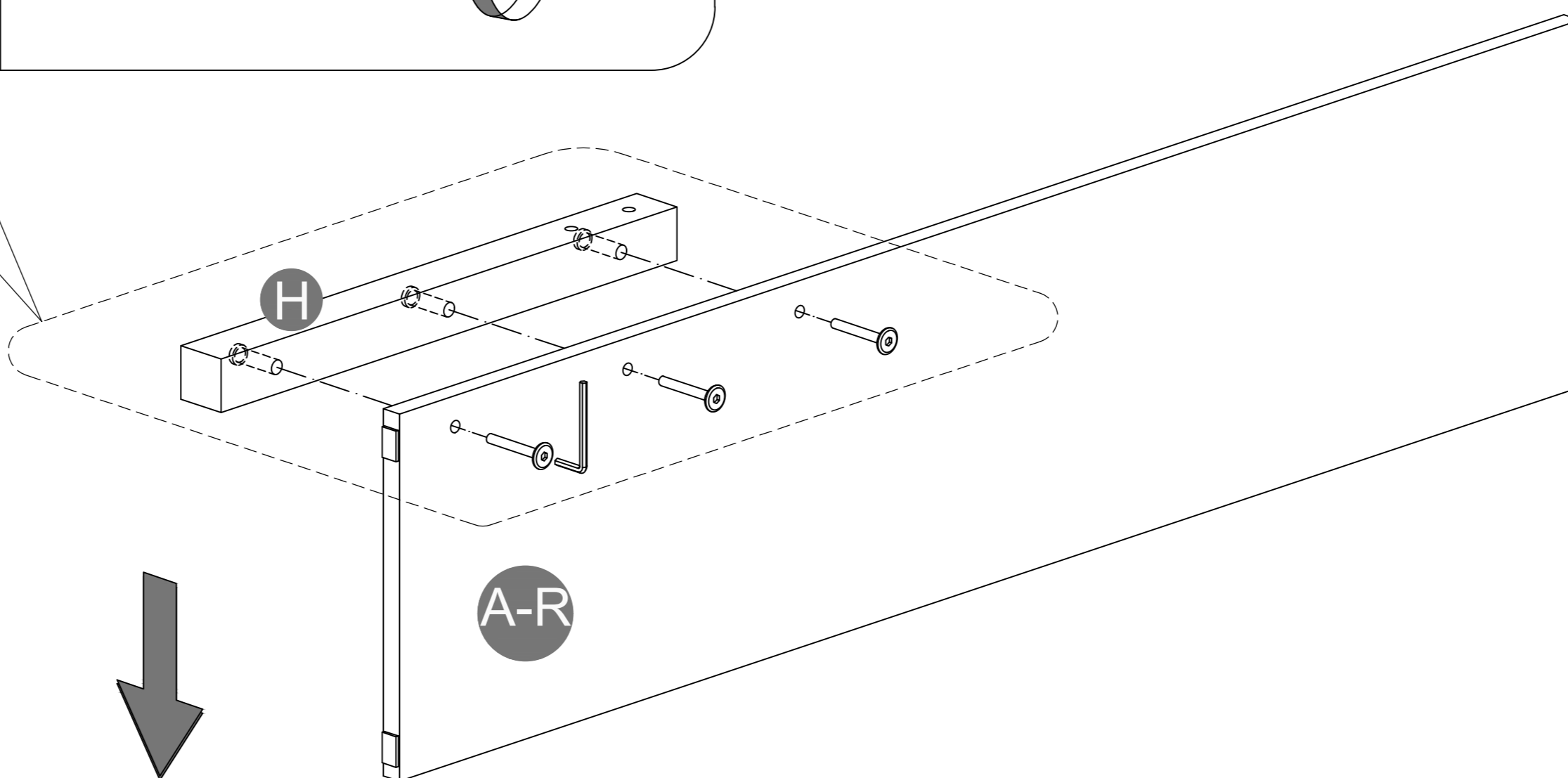
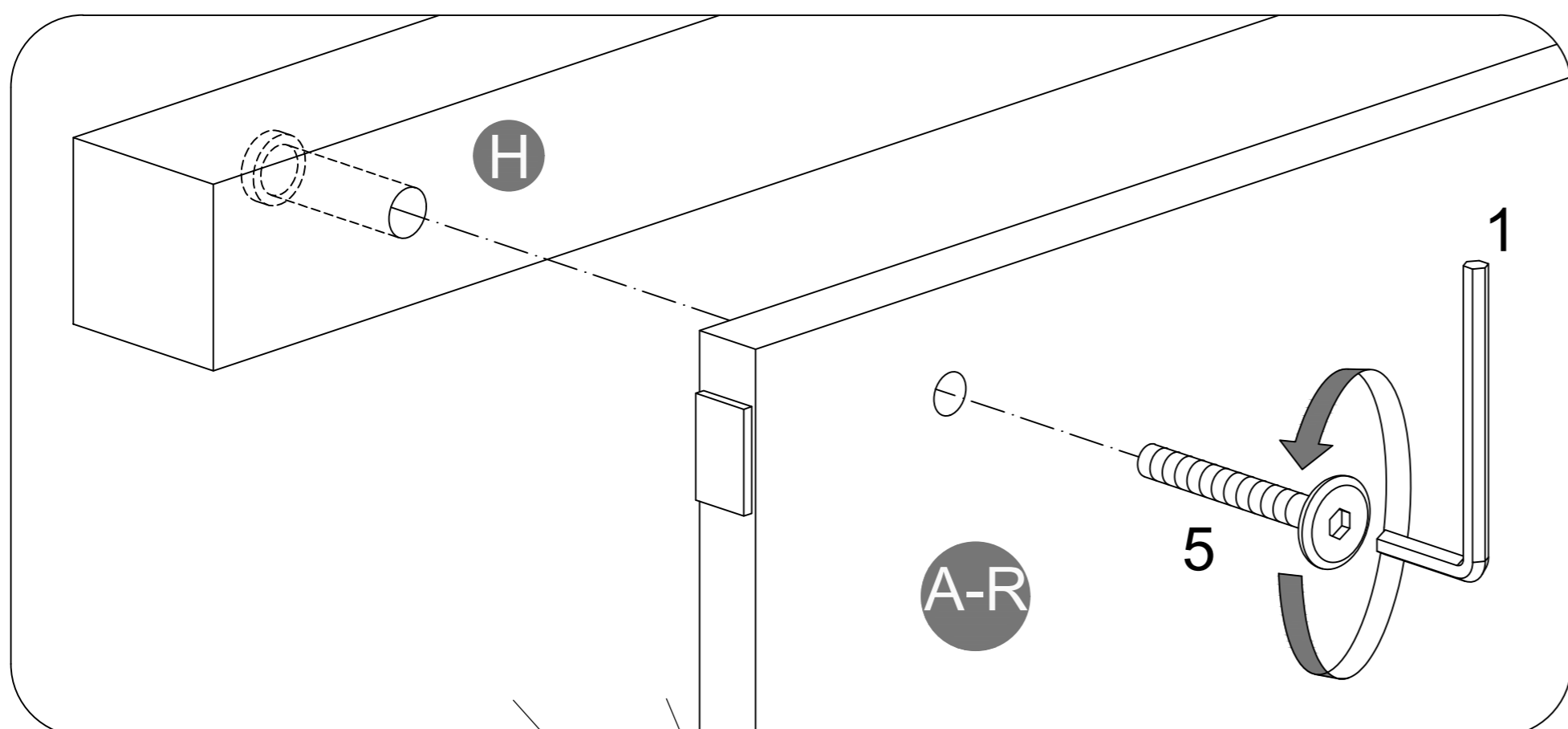


5pcs

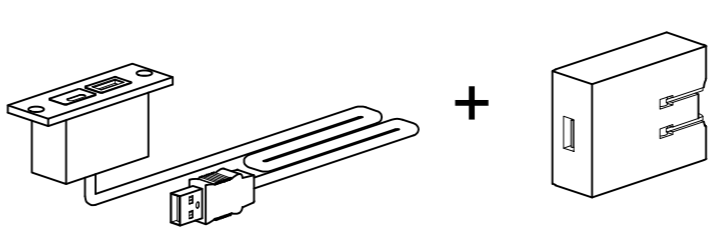
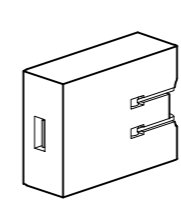
5

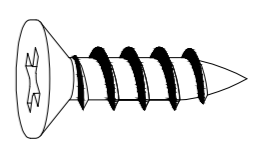


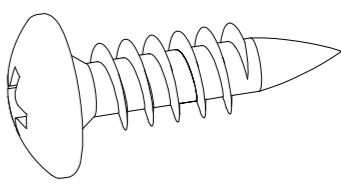
3pcs

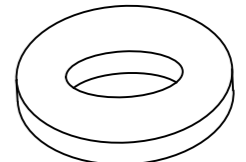


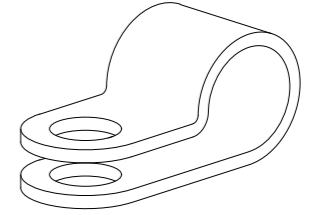
# STEP 3:

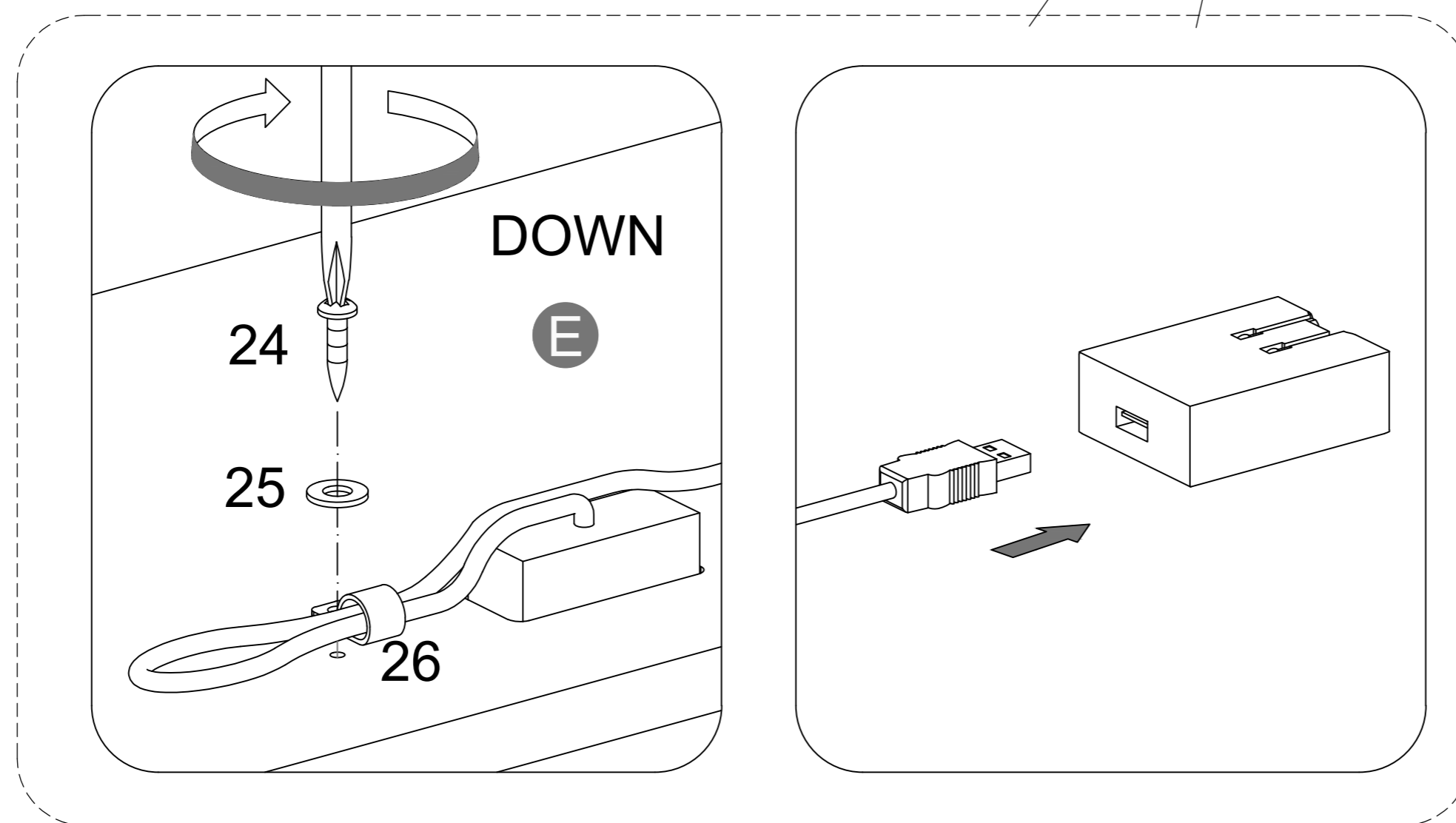
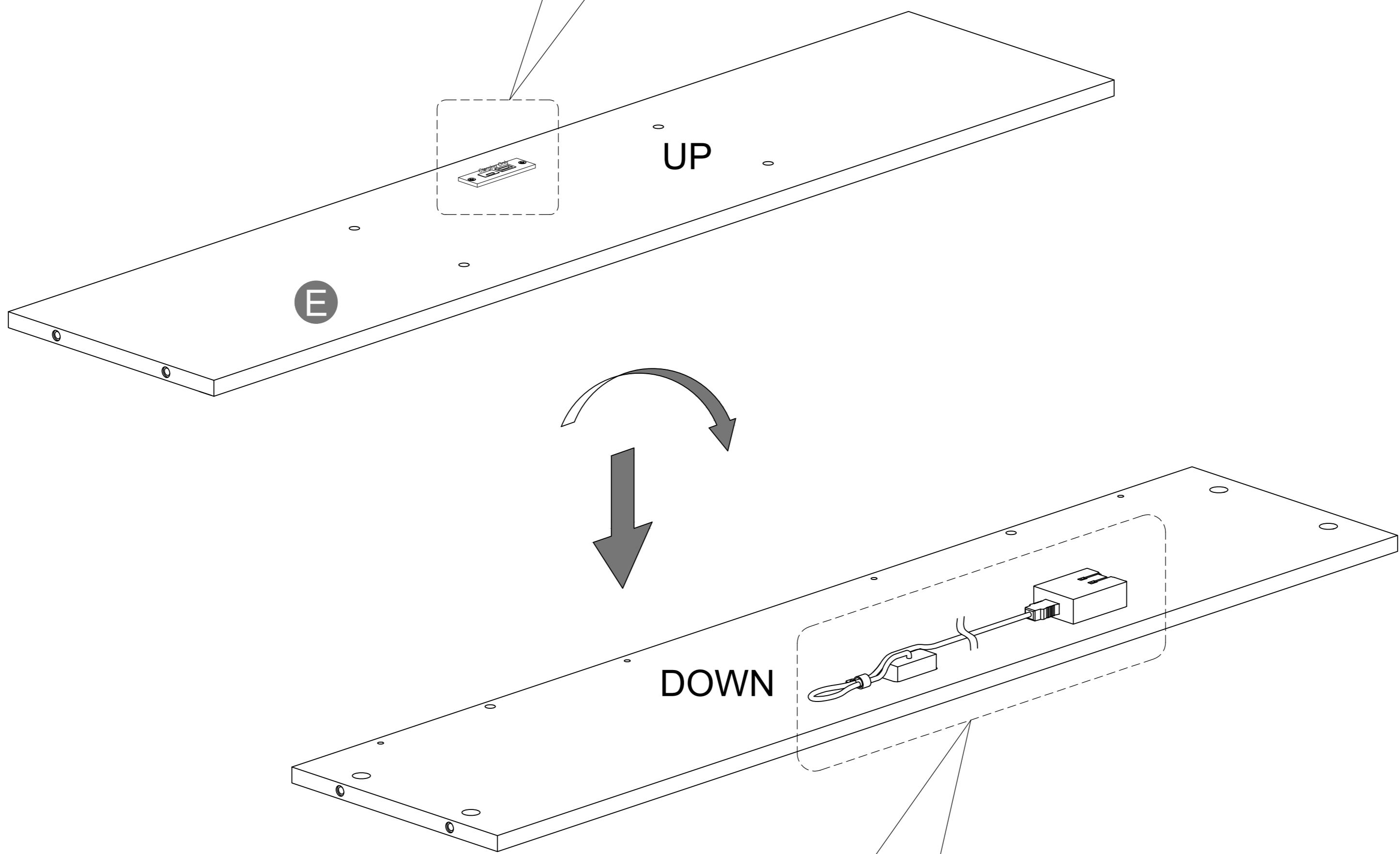
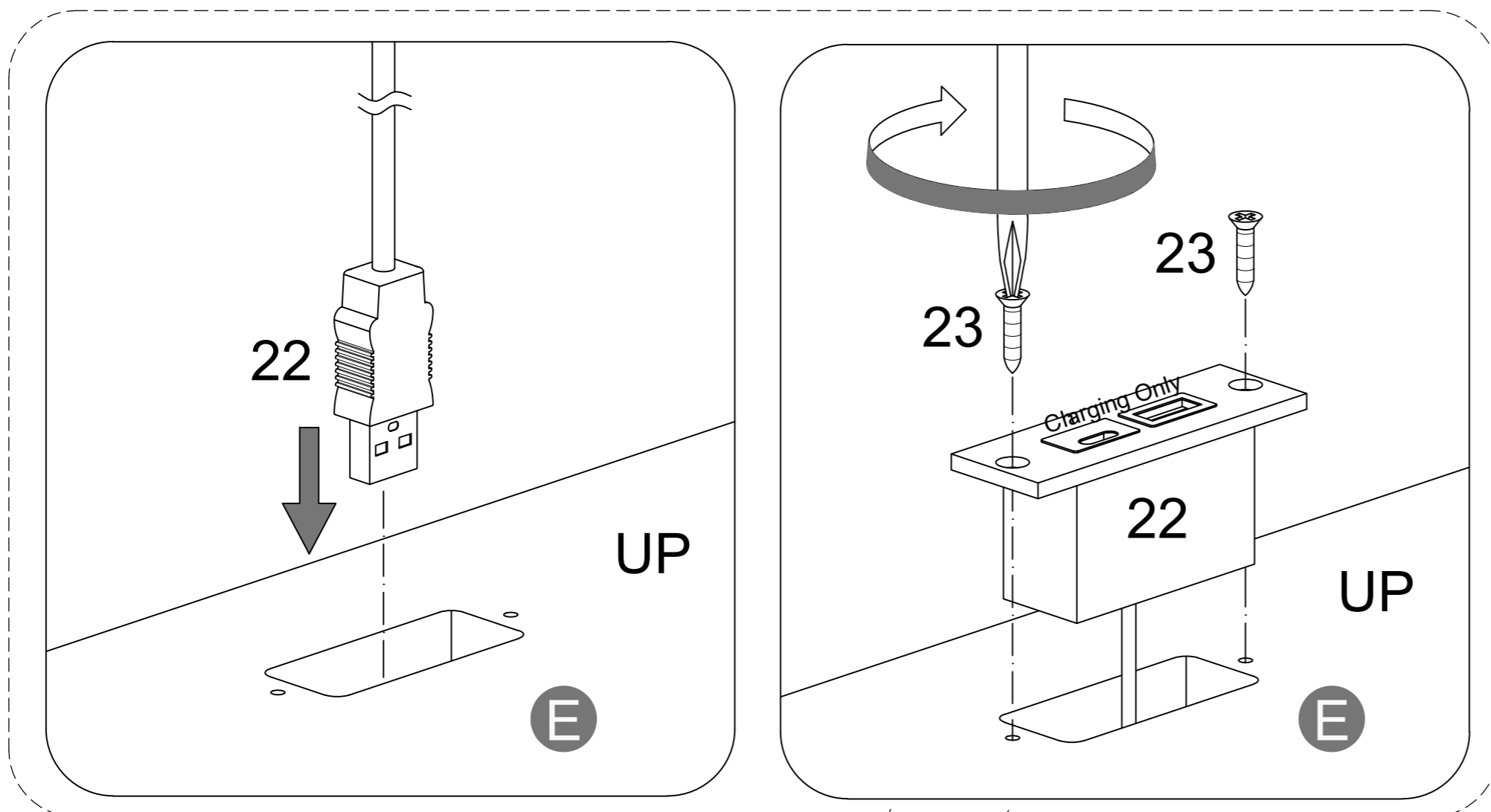
**22**  +   
1pc

**23**   
2pcs

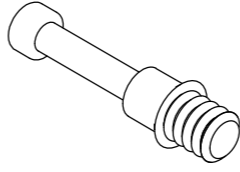
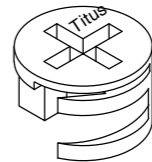
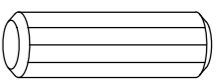
**24**   
1pc

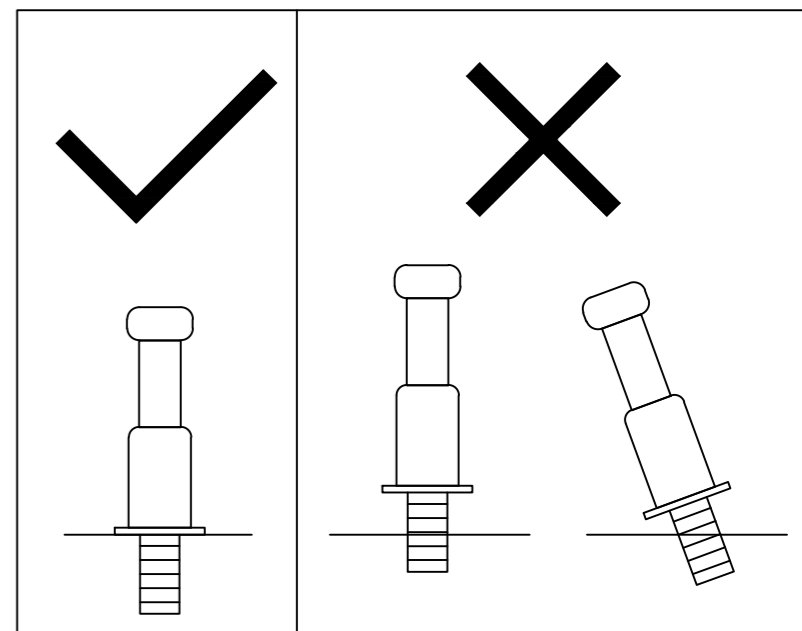
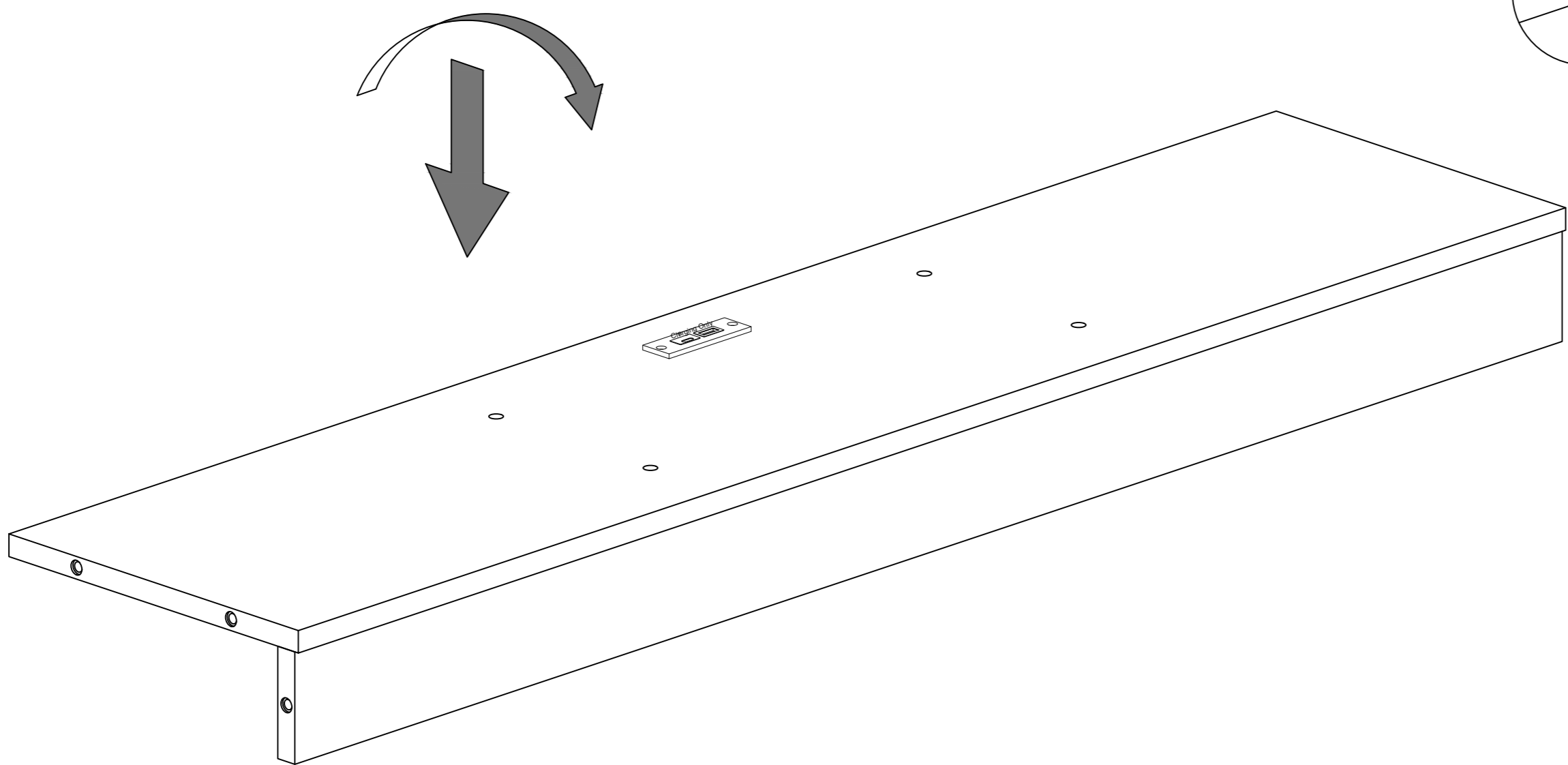
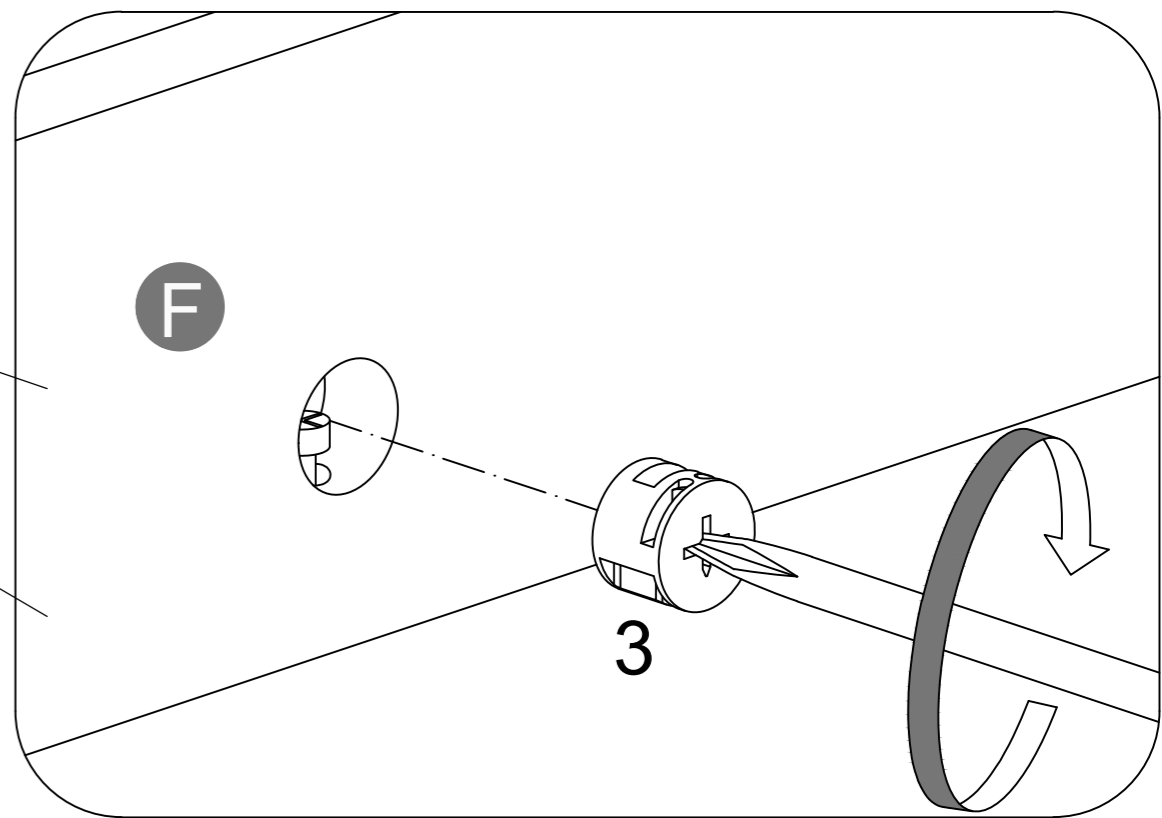
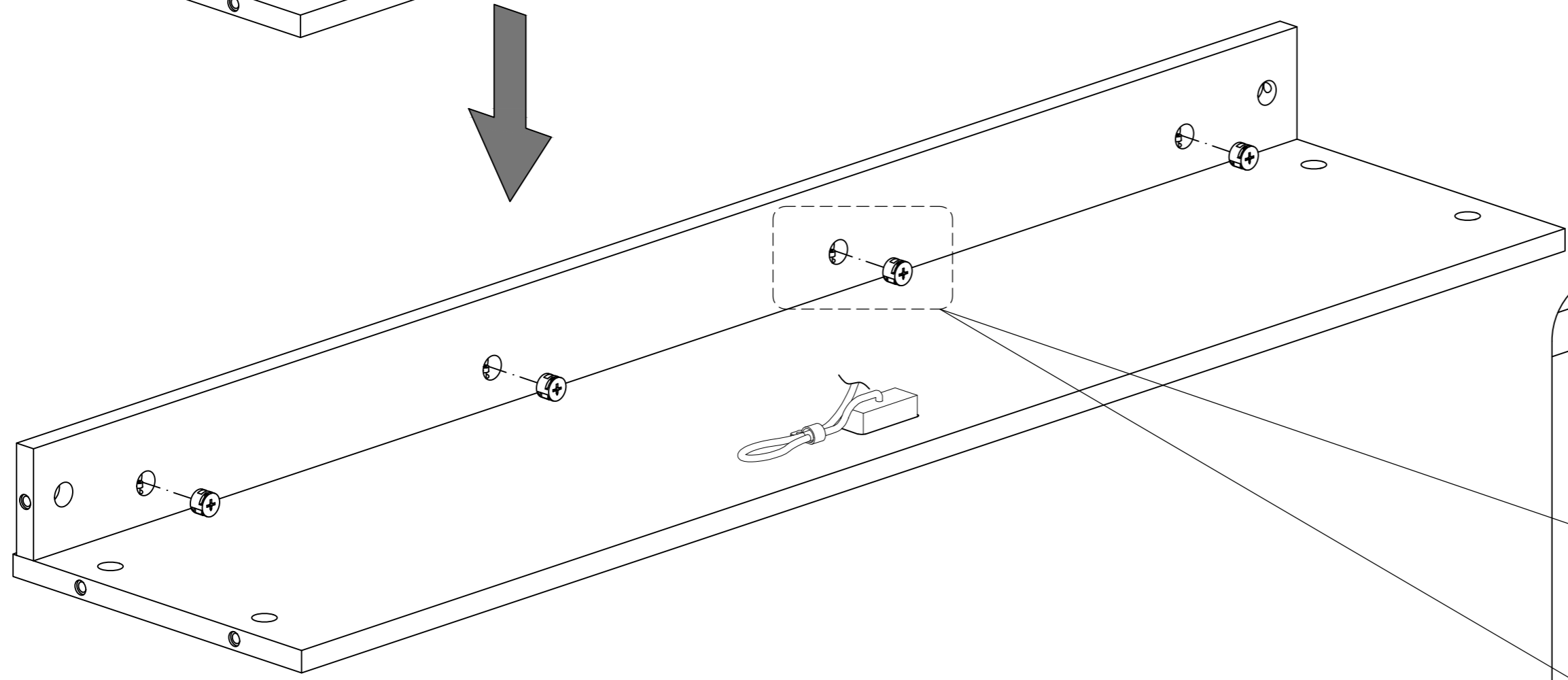
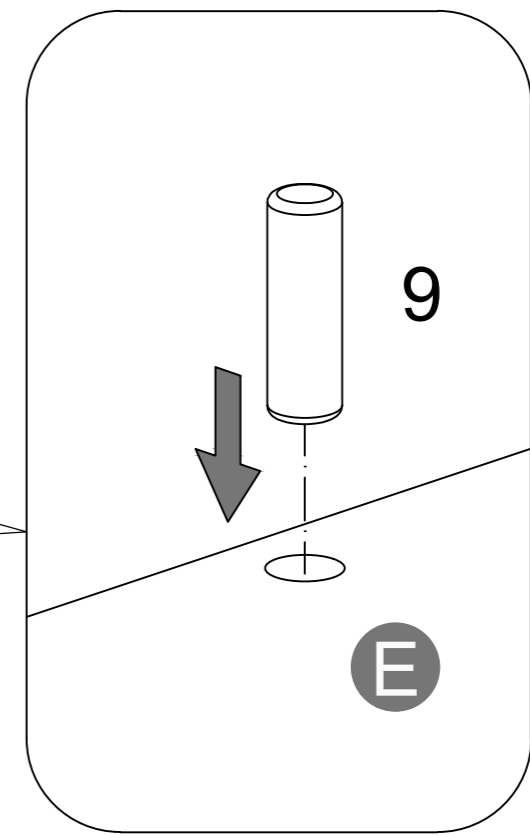
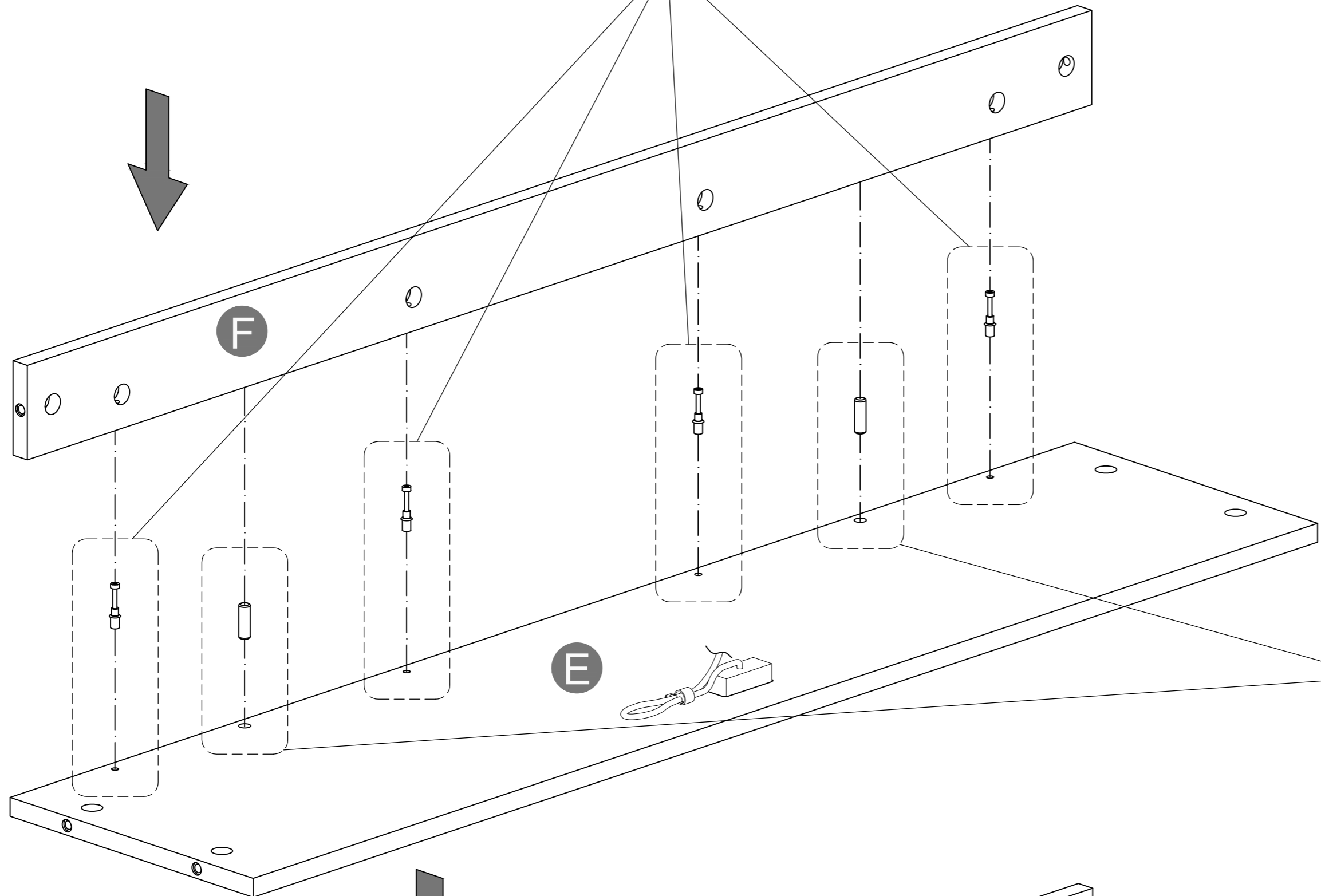
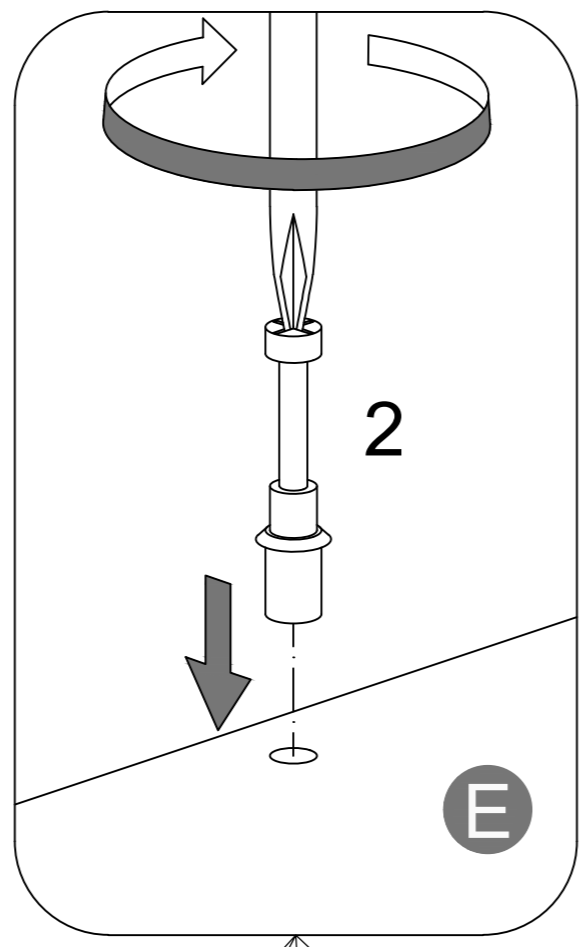
**25**   
1pc

**26**   
1pc



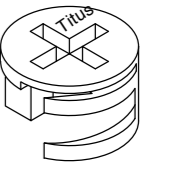
# STEP 4:

<b>2</b>		<b>3</b>		<b>9</b>	
	4pcs		4pcs		2pcs

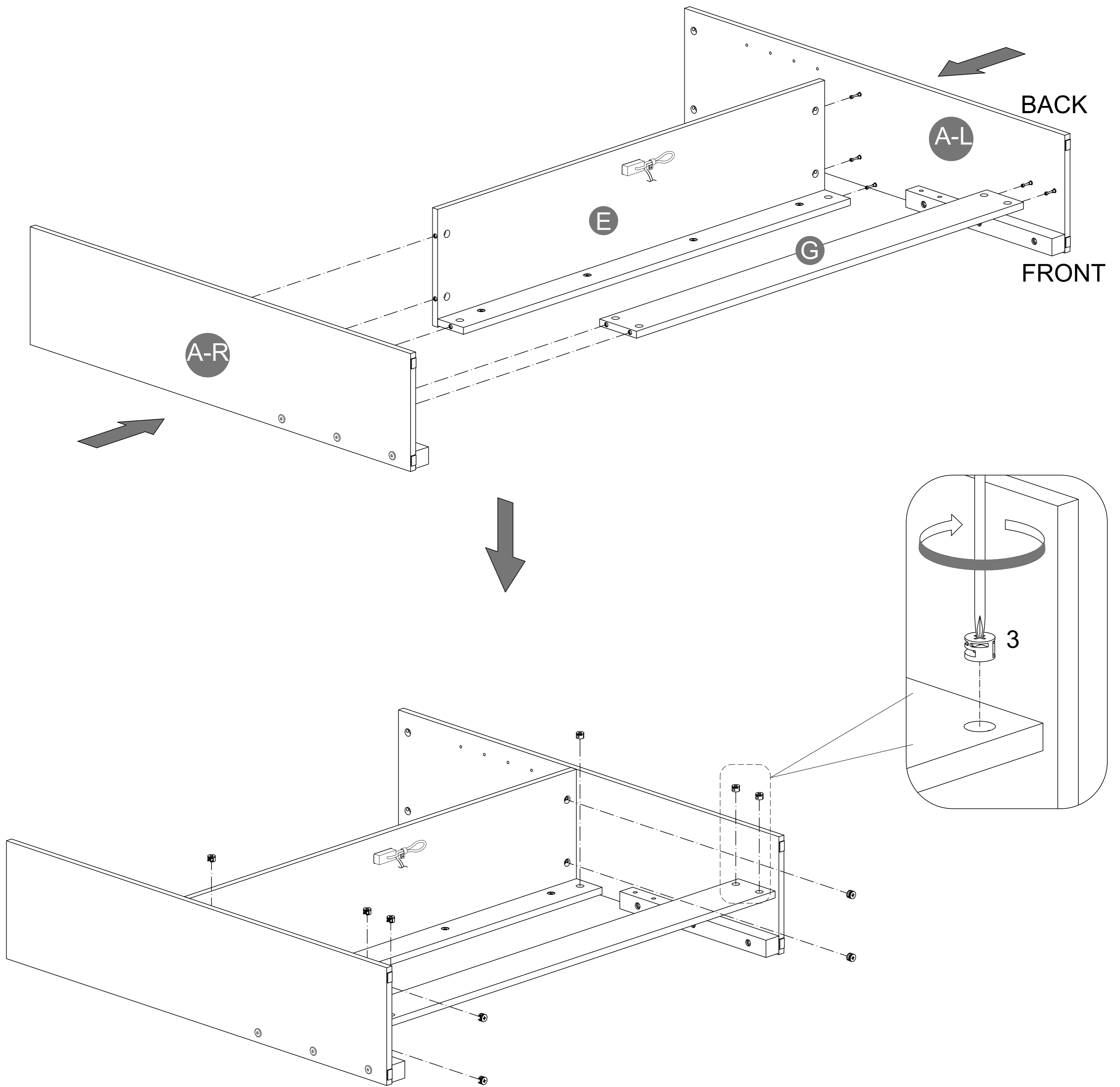


**STEP 5:**

**3**

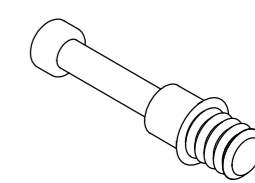


10pcs

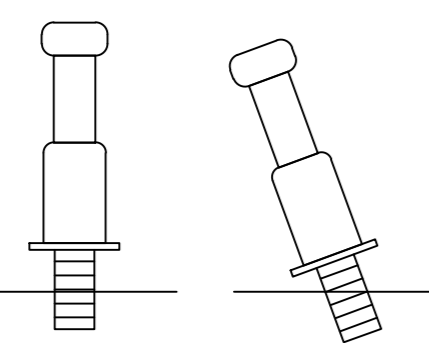
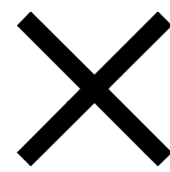
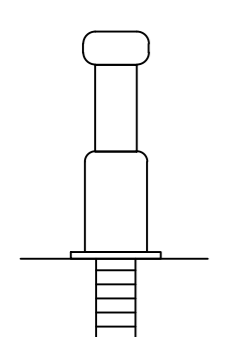
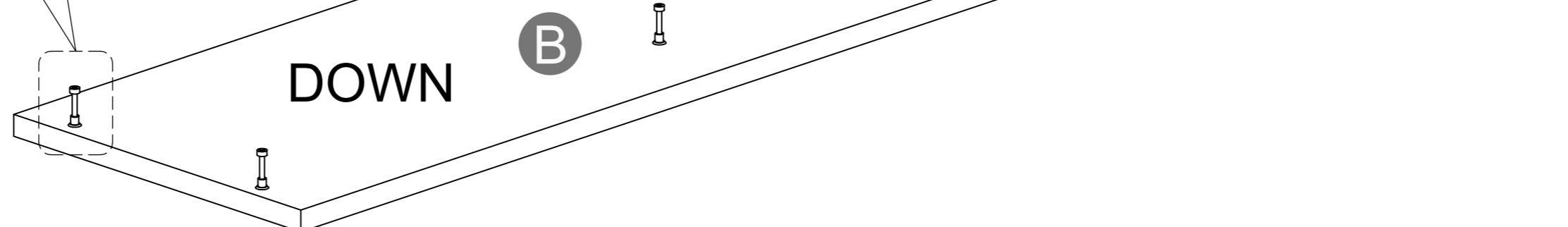
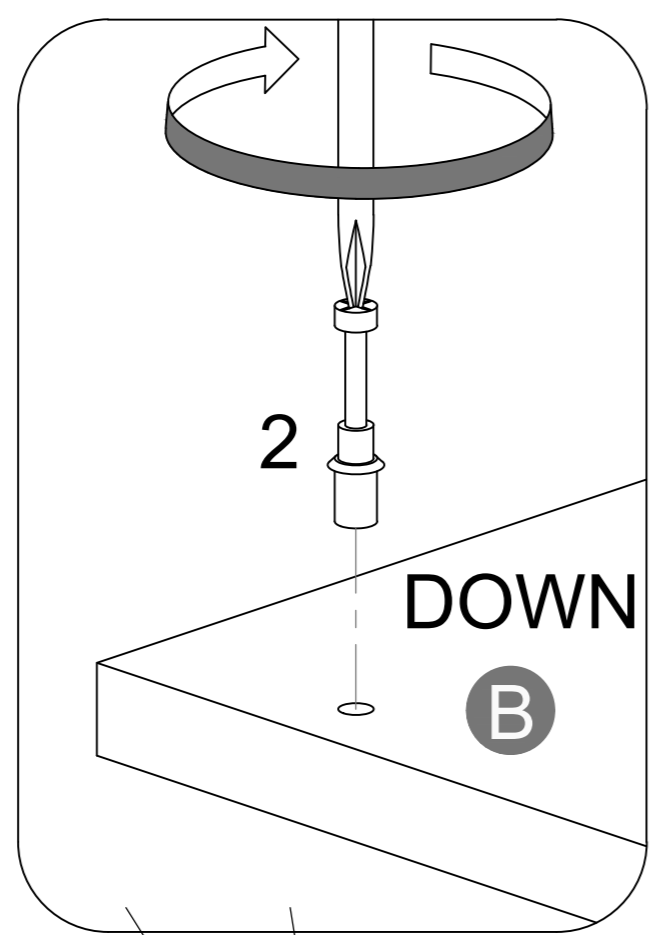


**STEP 6:**

**2**

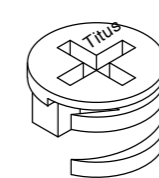


6pcs



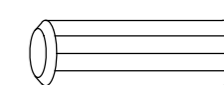
**STEP 7:**

**3**

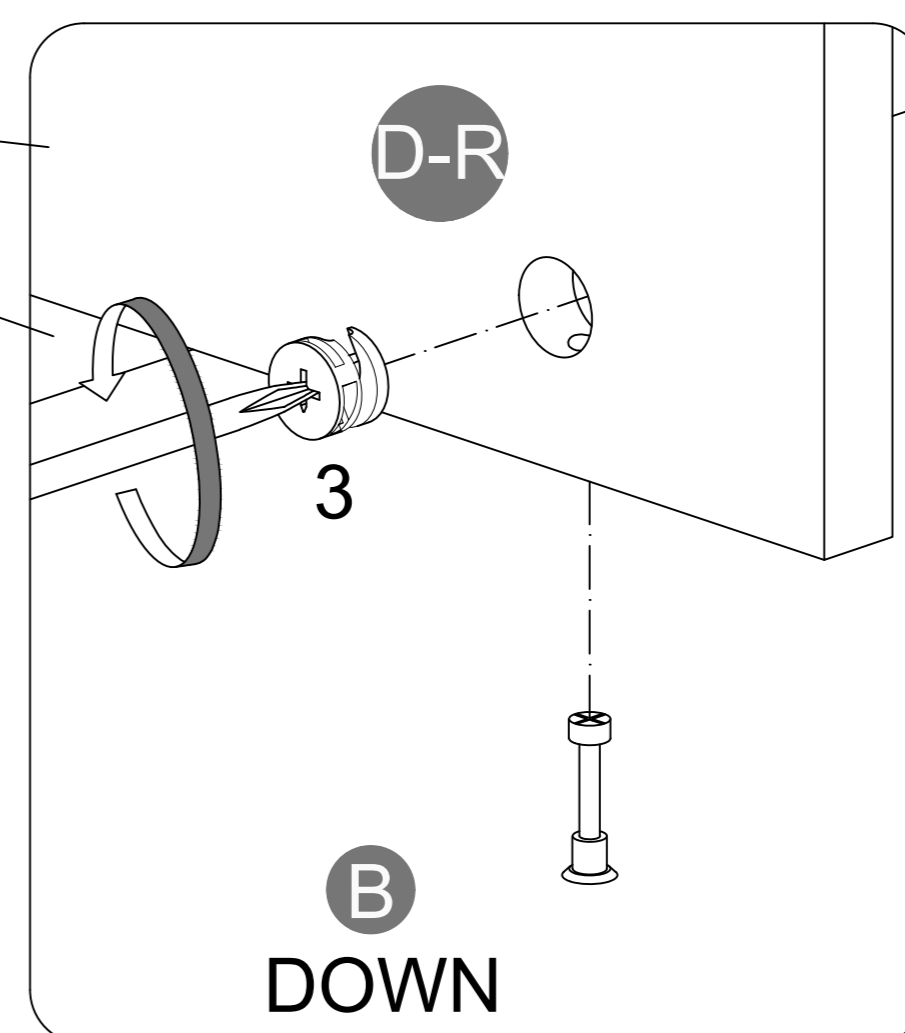
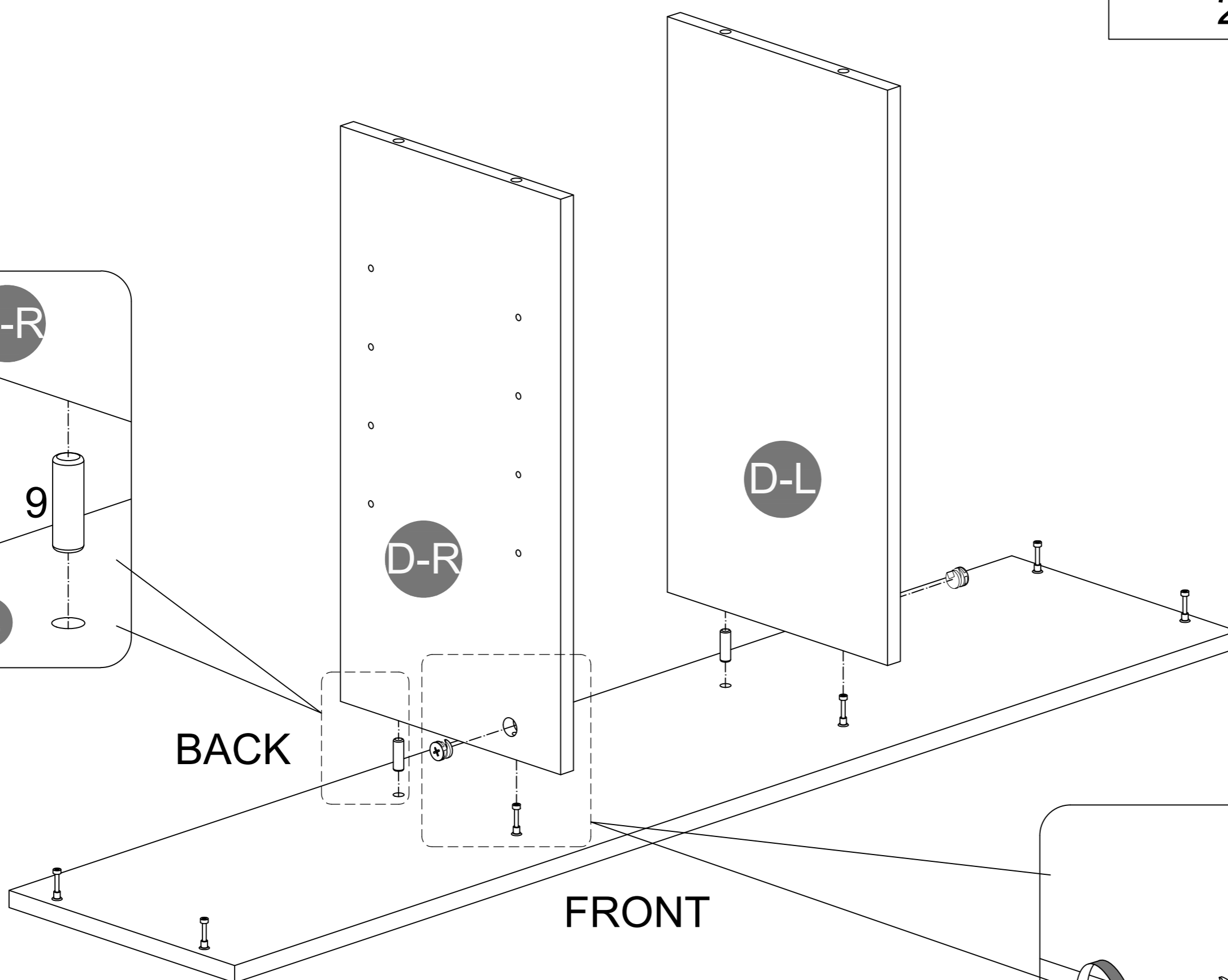
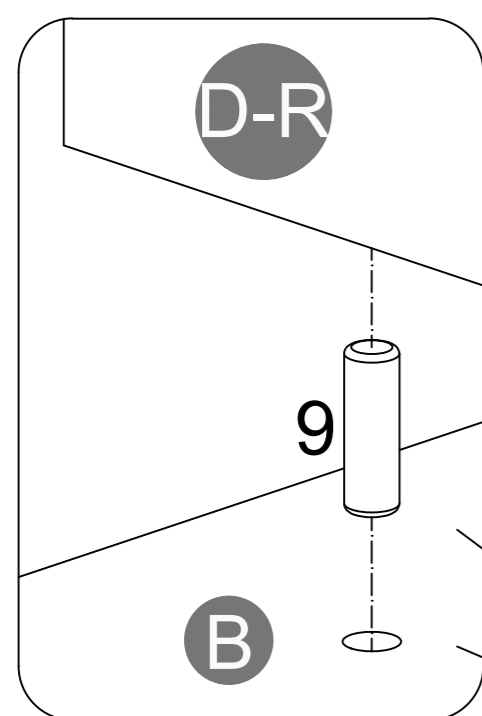


2pcs

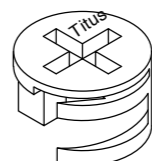
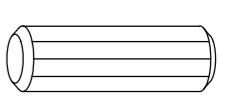
**9**

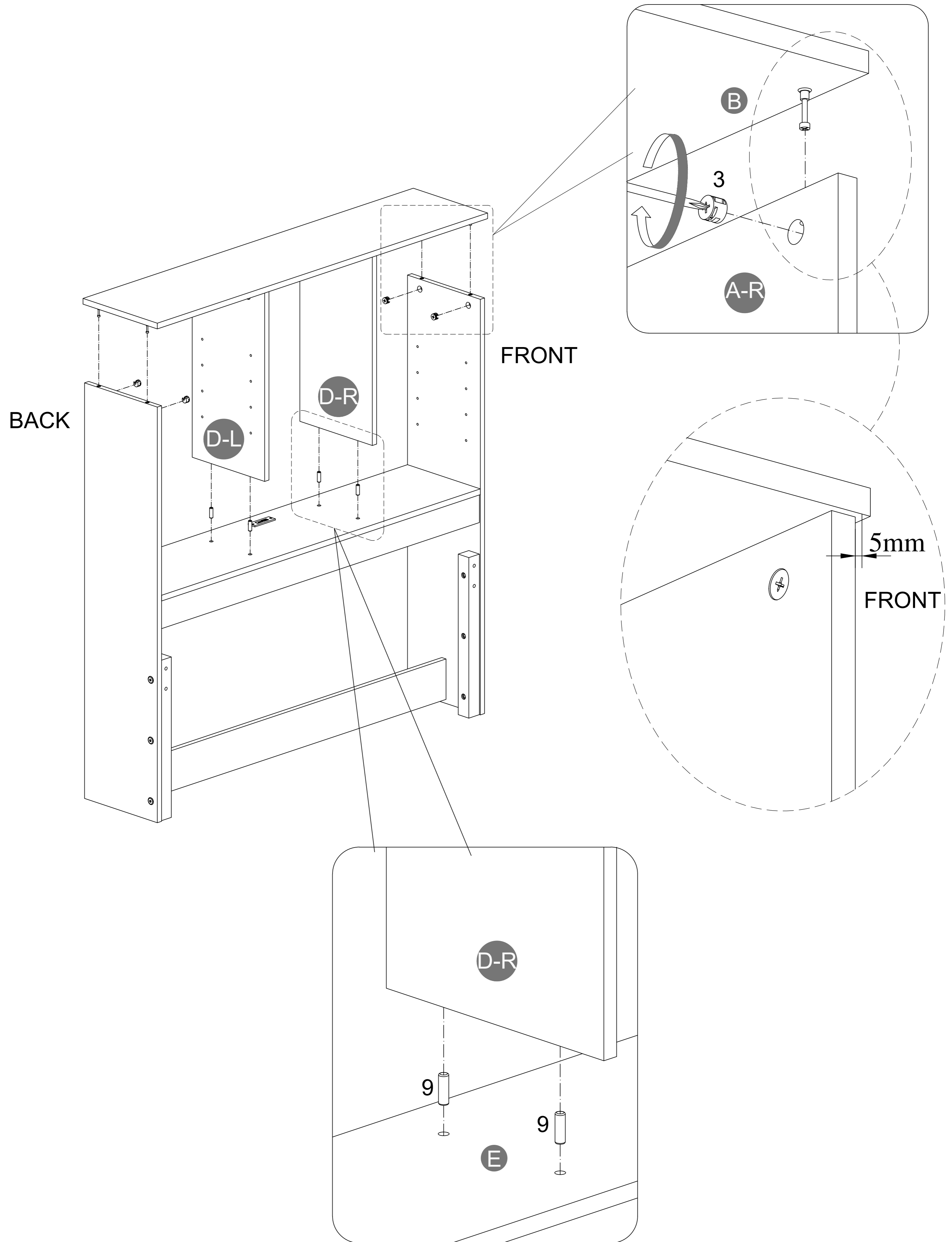


2pcs



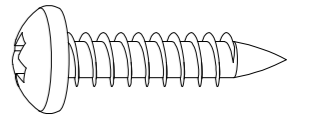
# STEP 8:

<b>3</b>		<b>9</b>	
	4pcs		4pcs

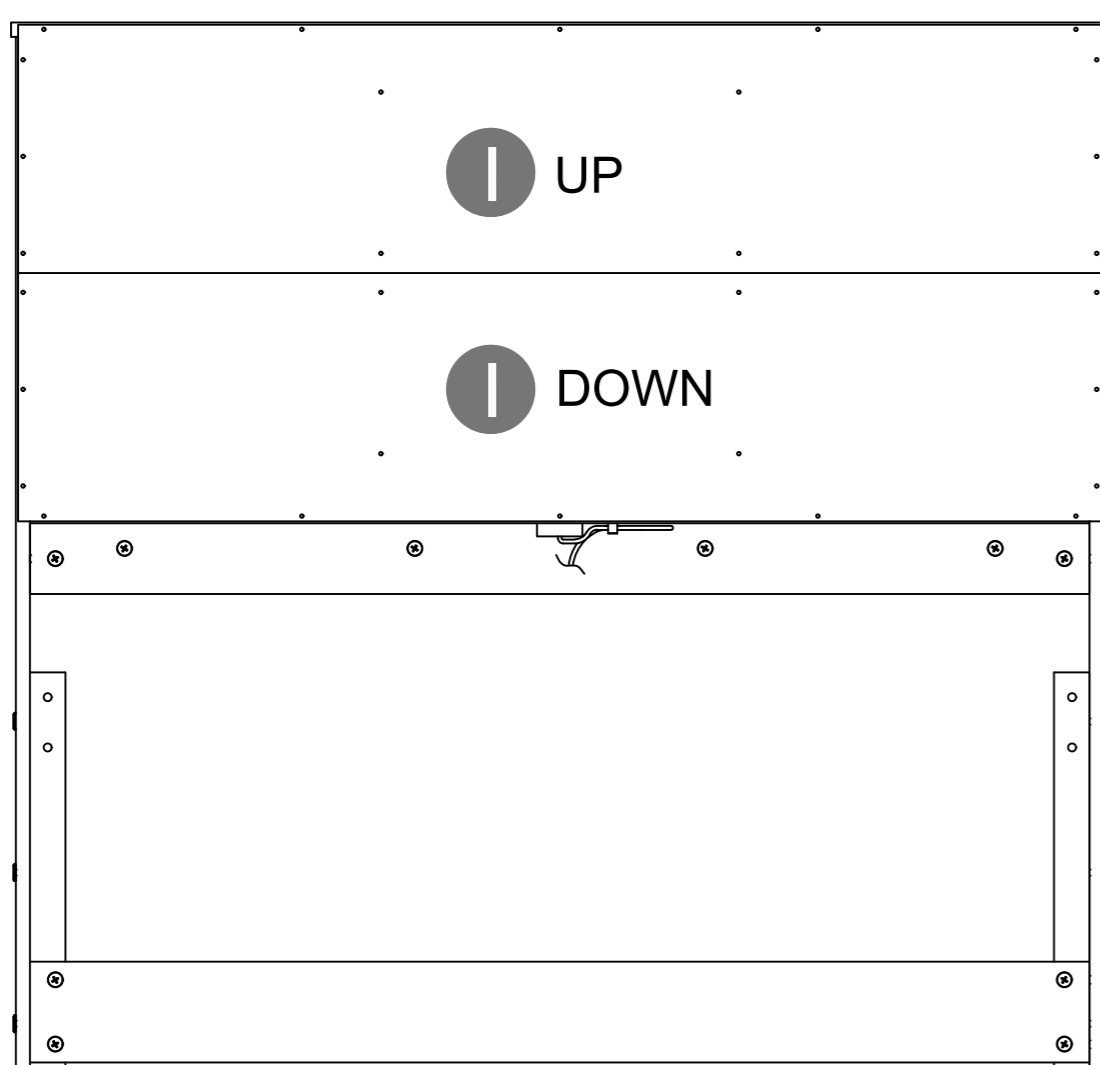
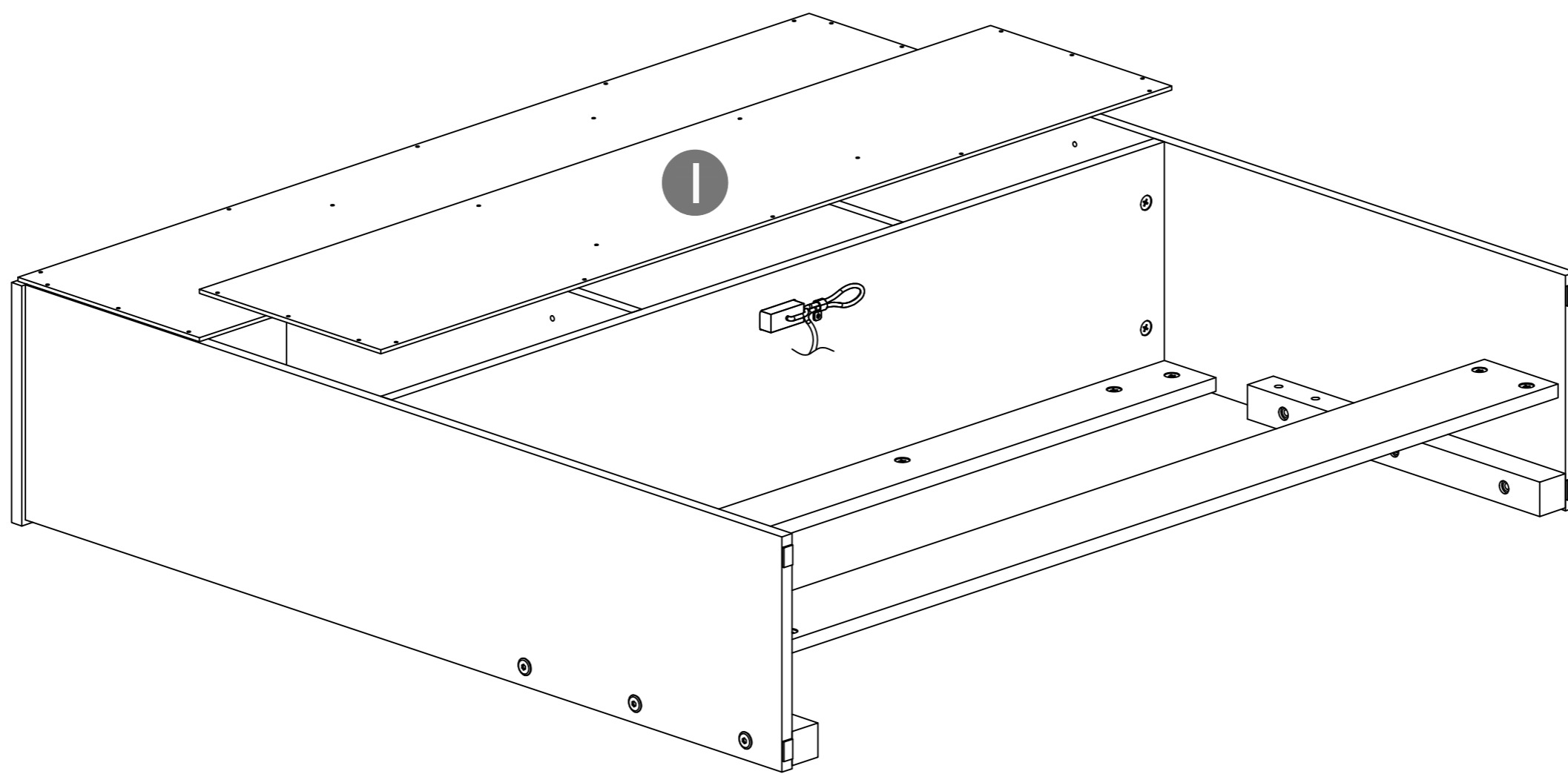
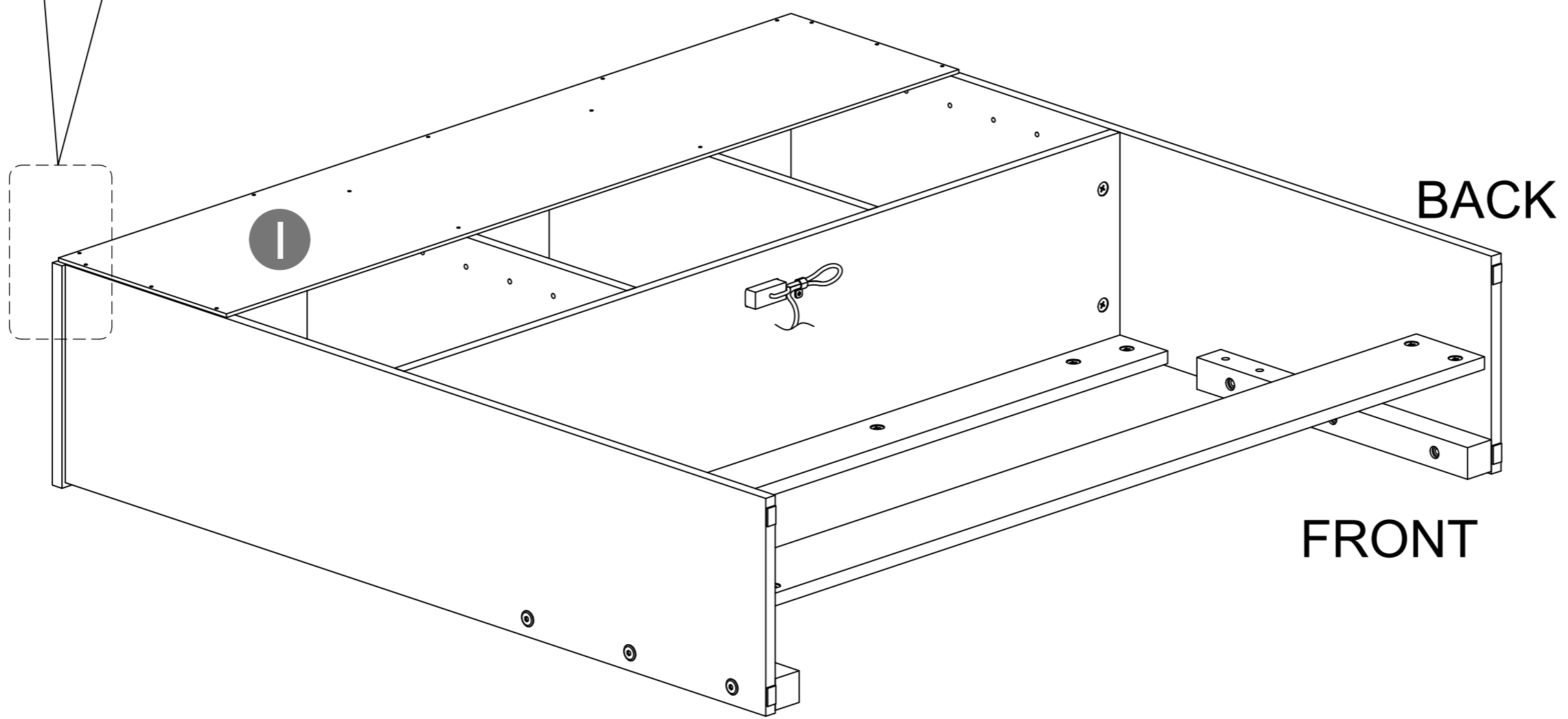
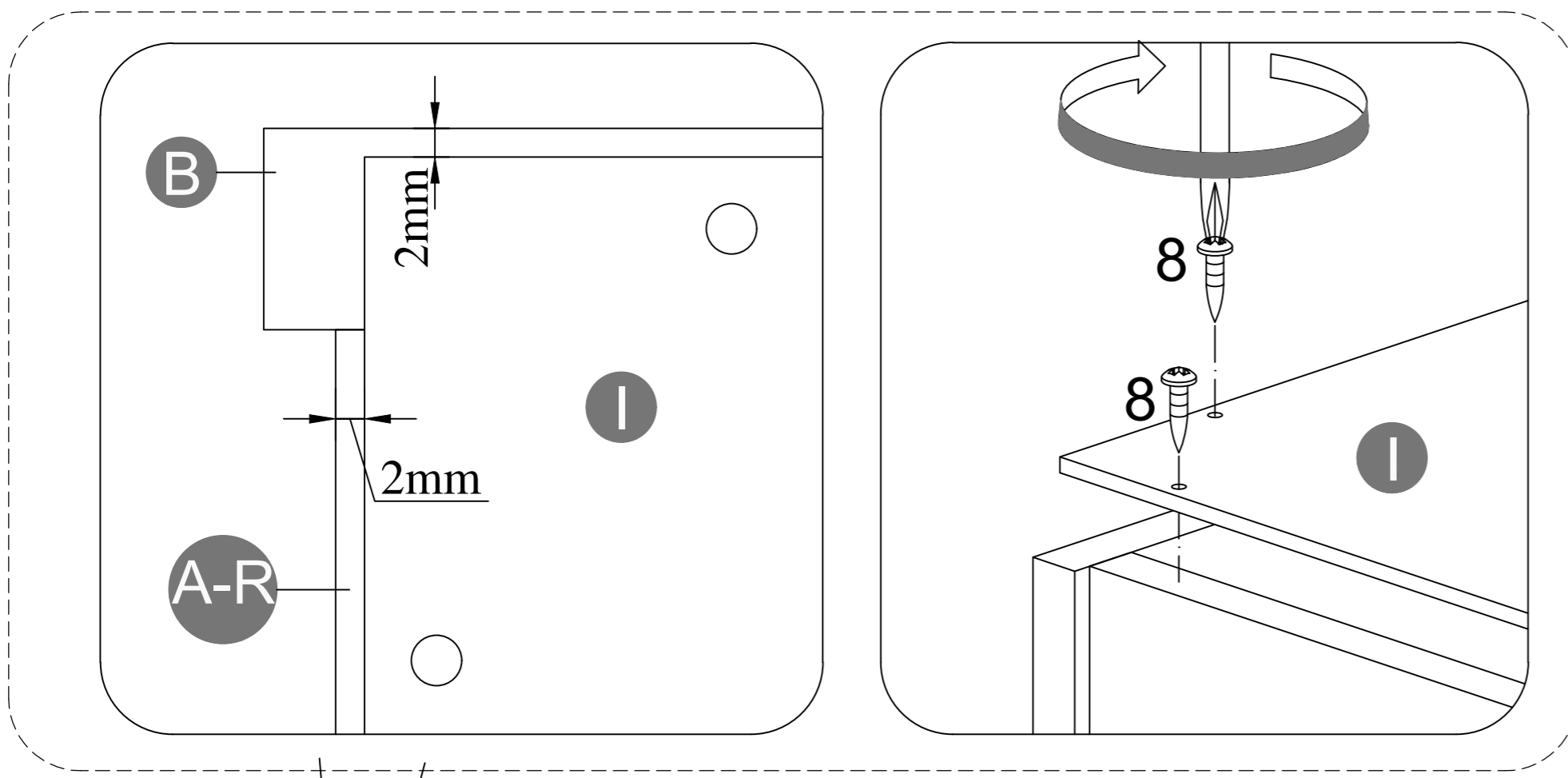


# STEP 9:

8



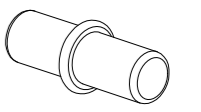
30pcs



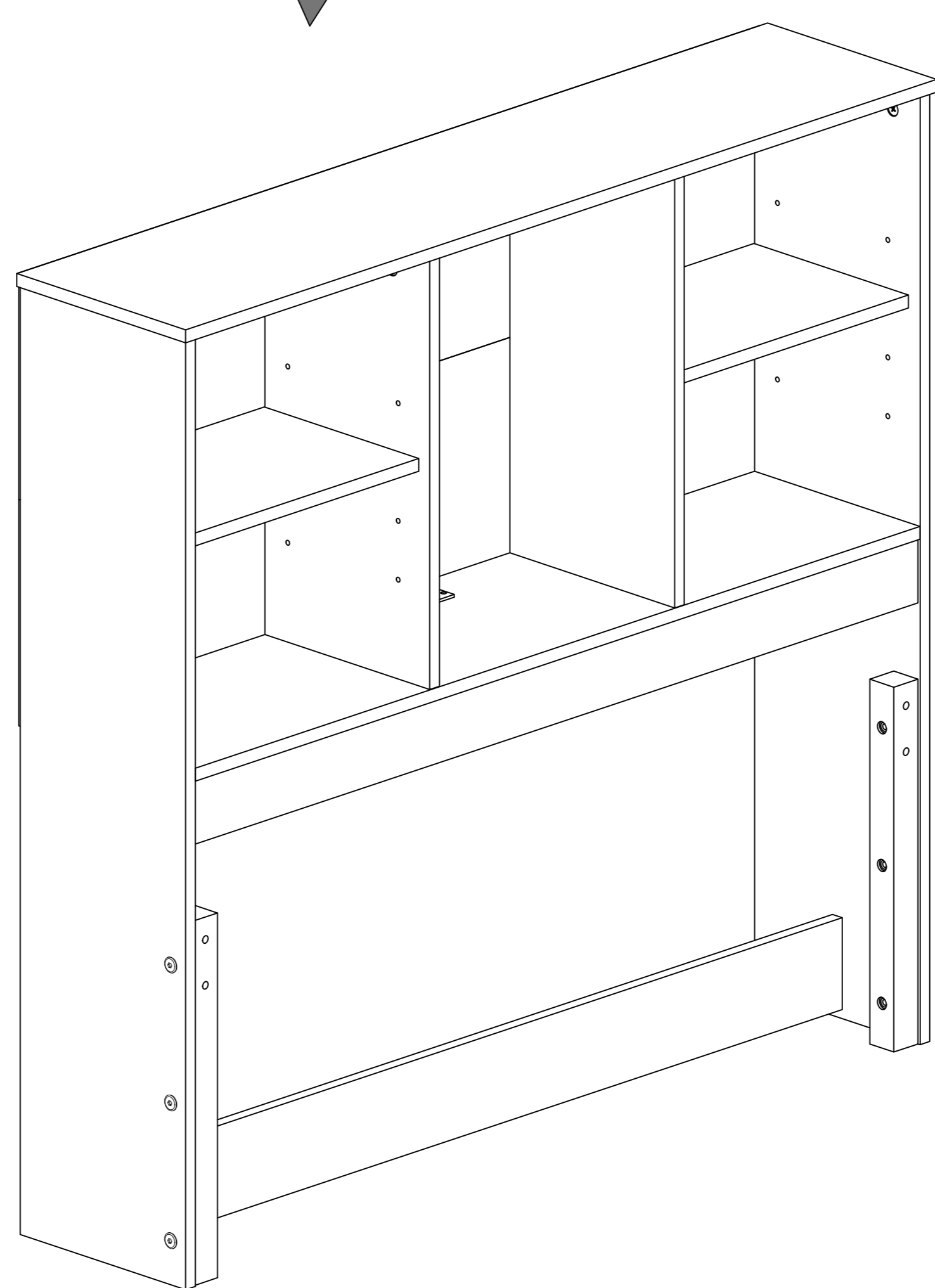
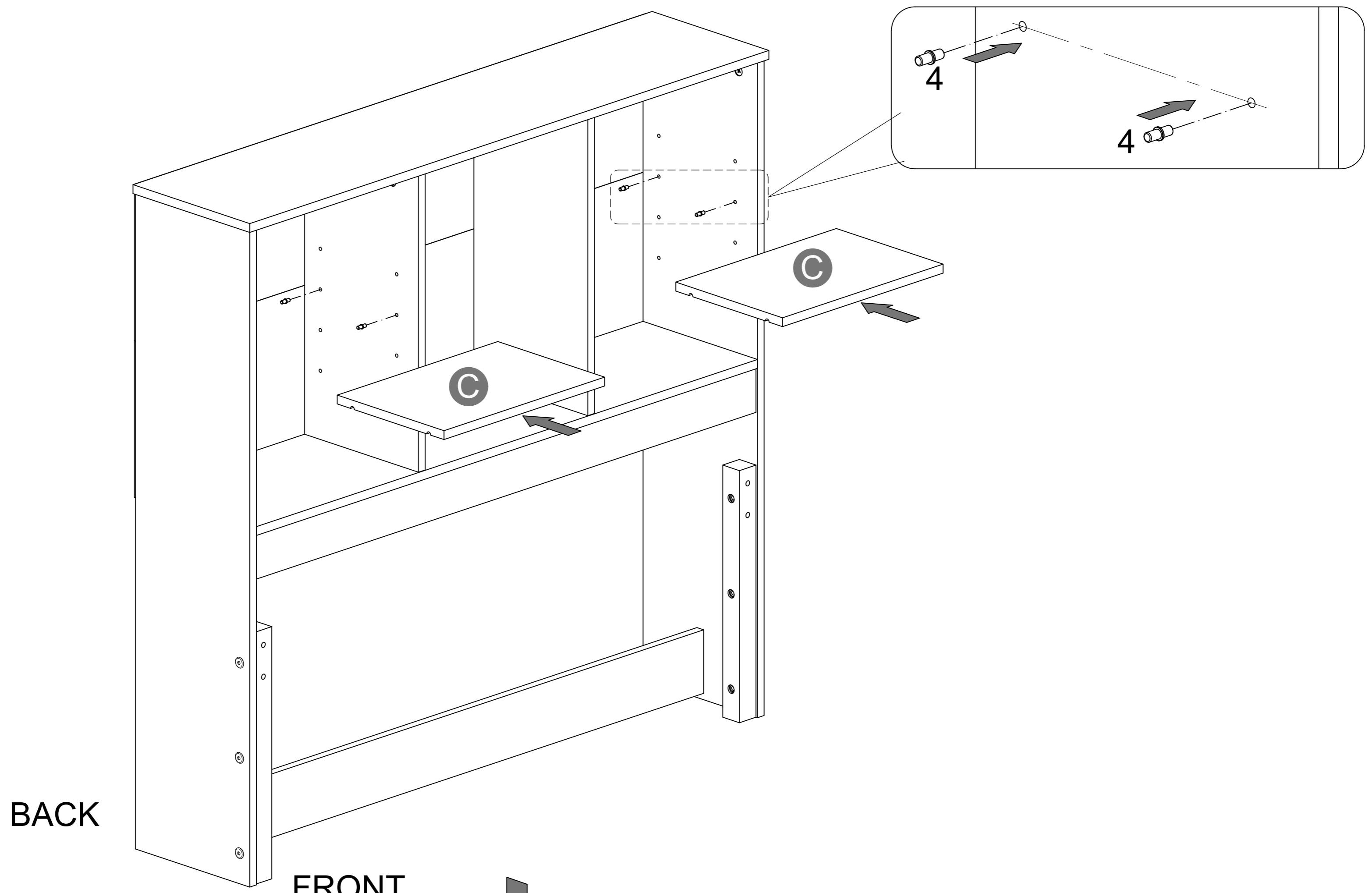
It is the first assemble the upper backboard, and then assemble the lower backboard. The two backboards should be tightly sealed in the middle without leaving any seams

**STEP 10:**

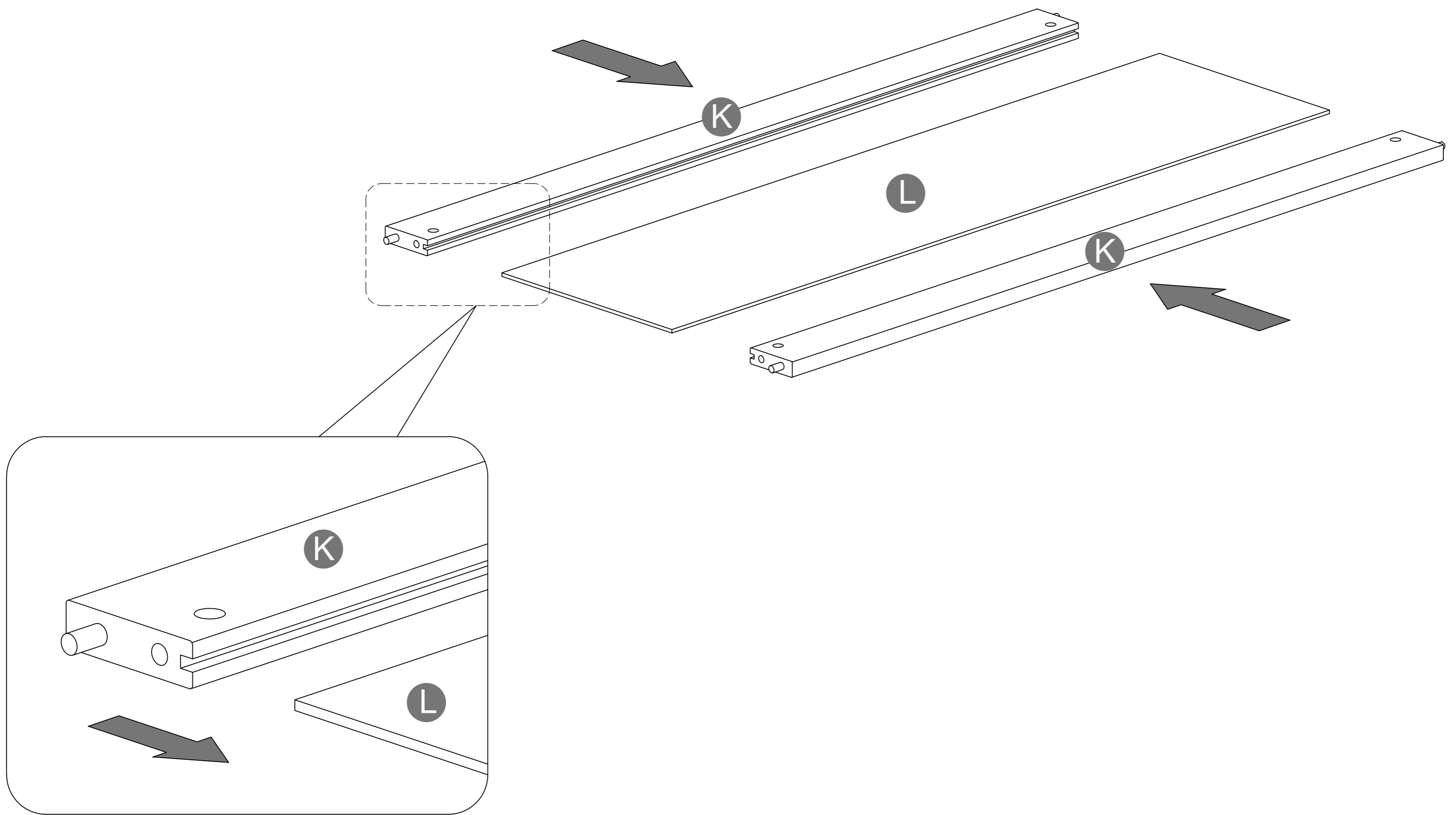
**4**



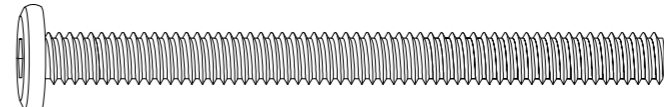
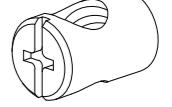
8pcs

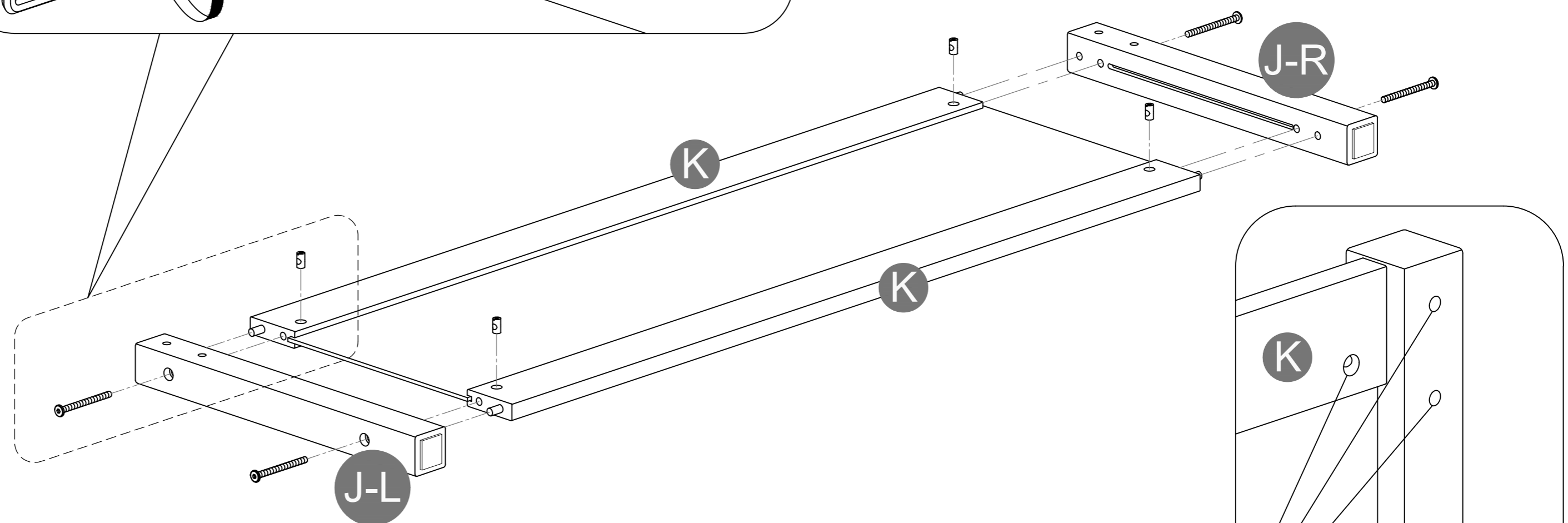
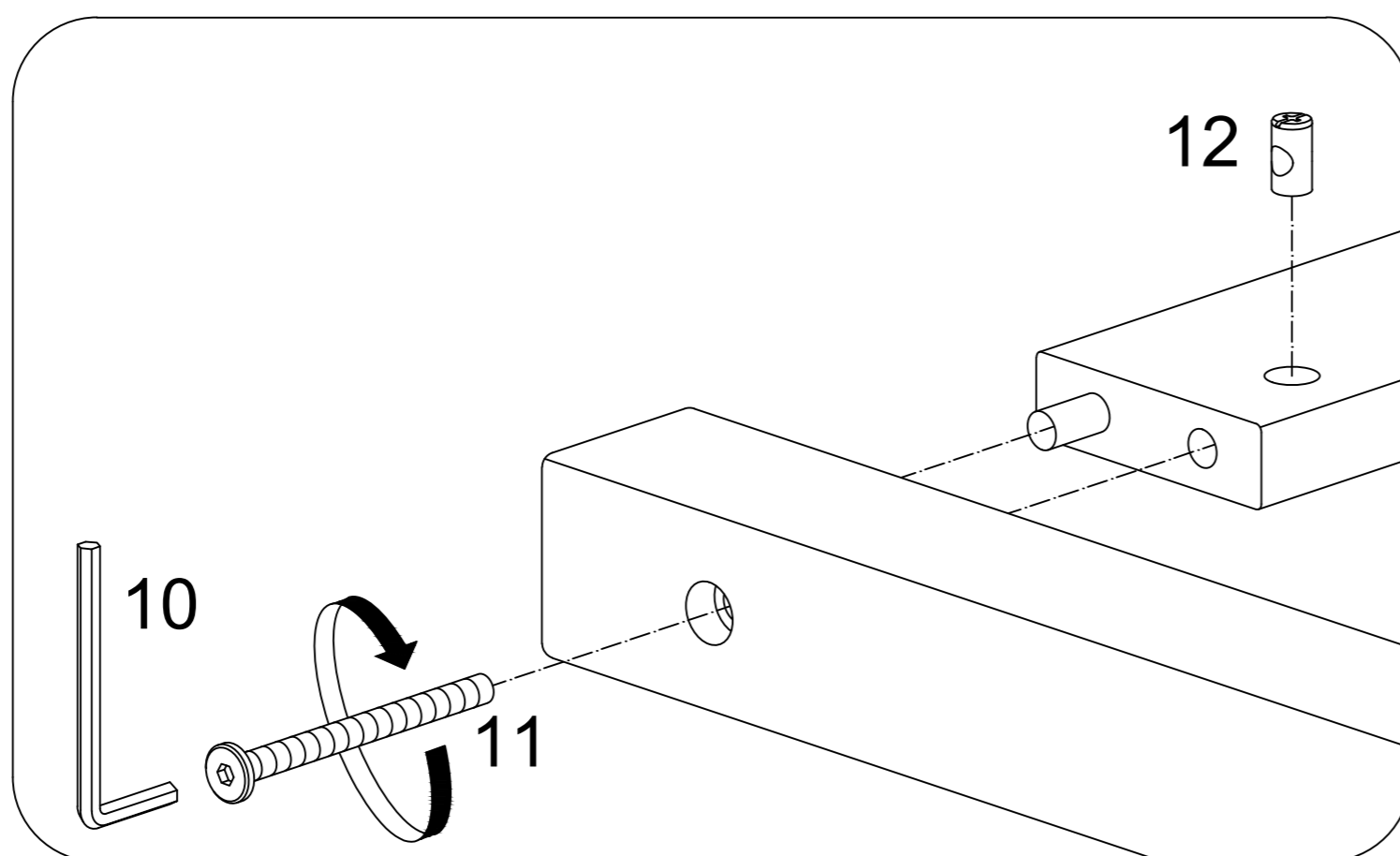


# STEP 11:

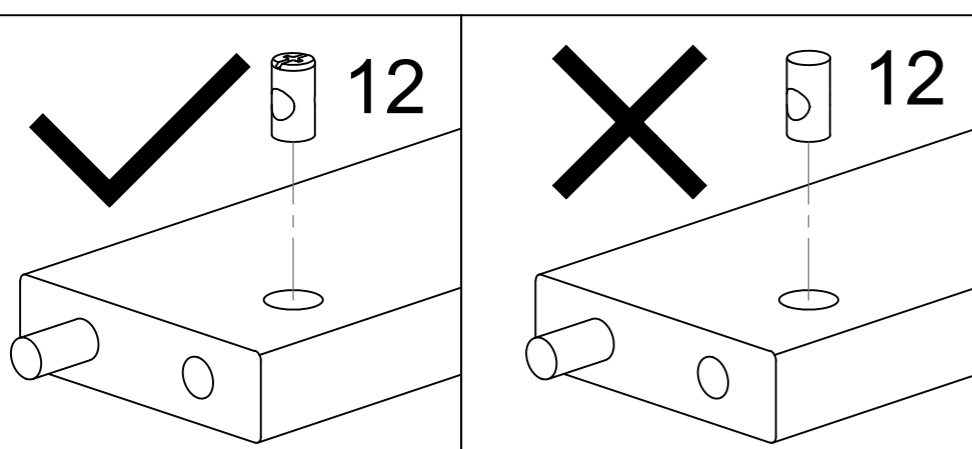


# STEP 12:

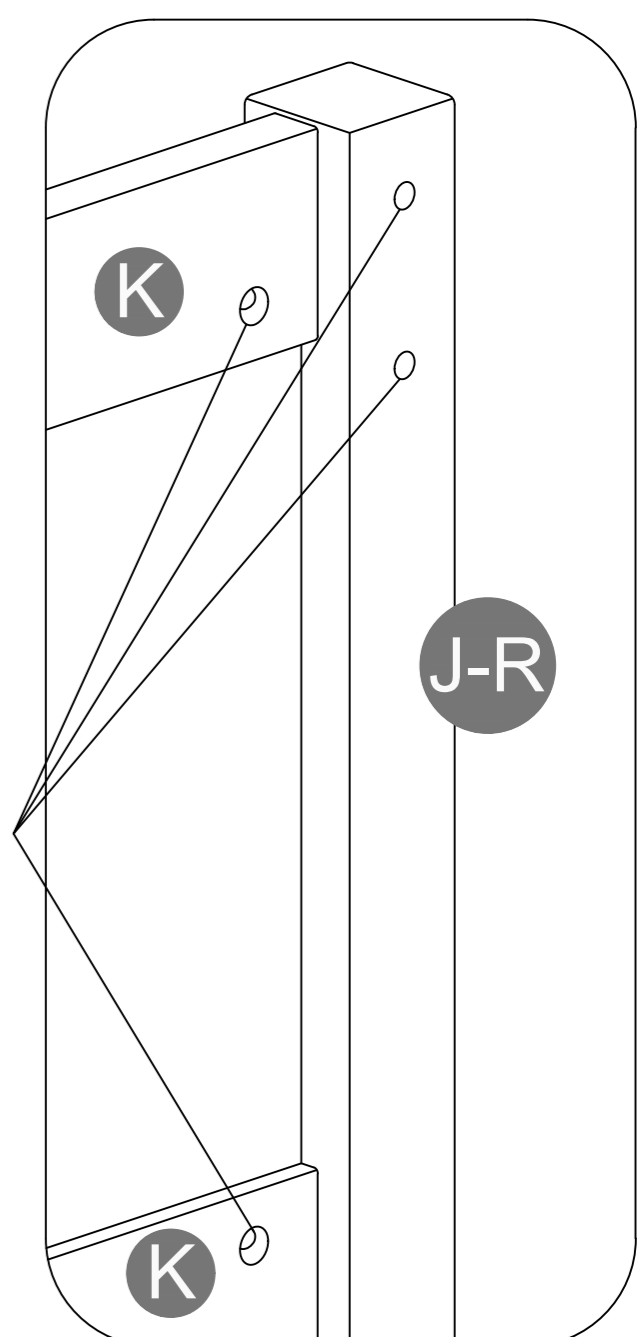
<b>11</b>	<b>12</b>
	
4pcs	4pcs



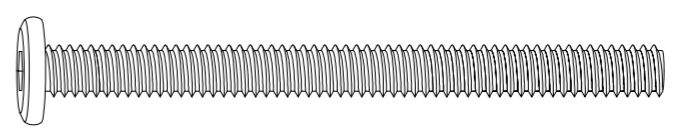
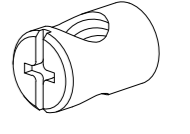
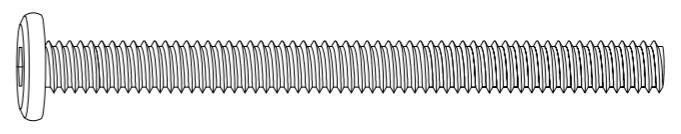
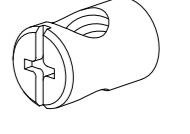
Note: Part 12 will face up with the "x" mark on it, otherwise it cannot be tightened

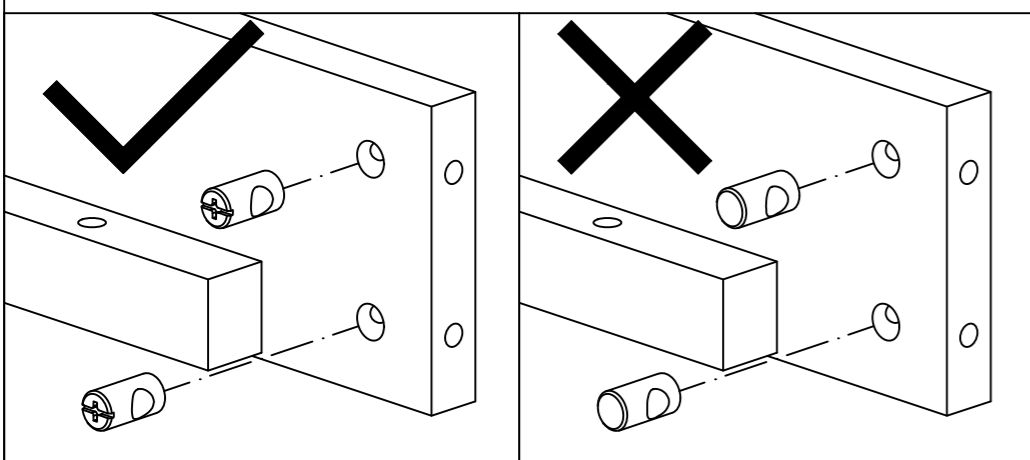
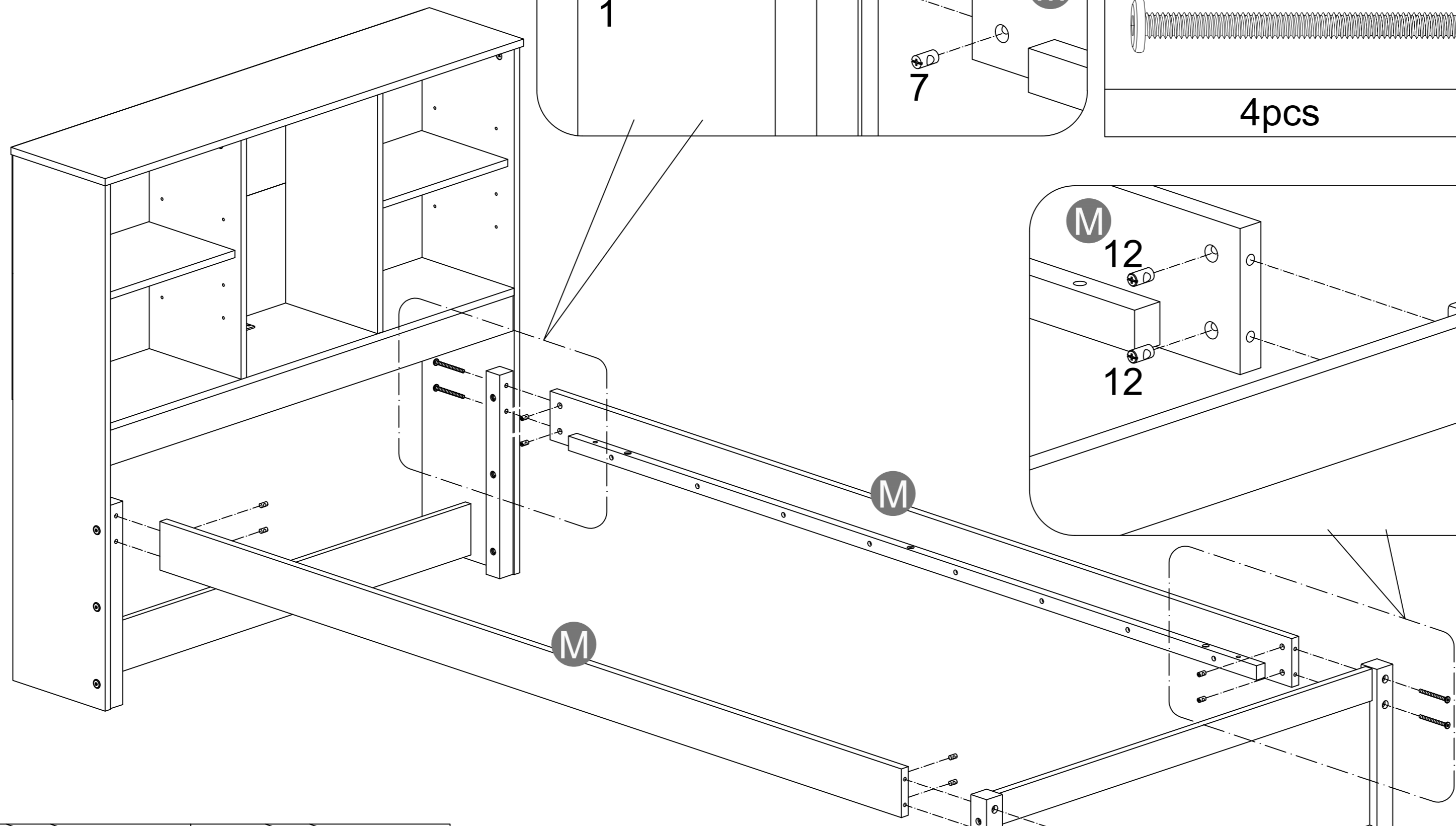
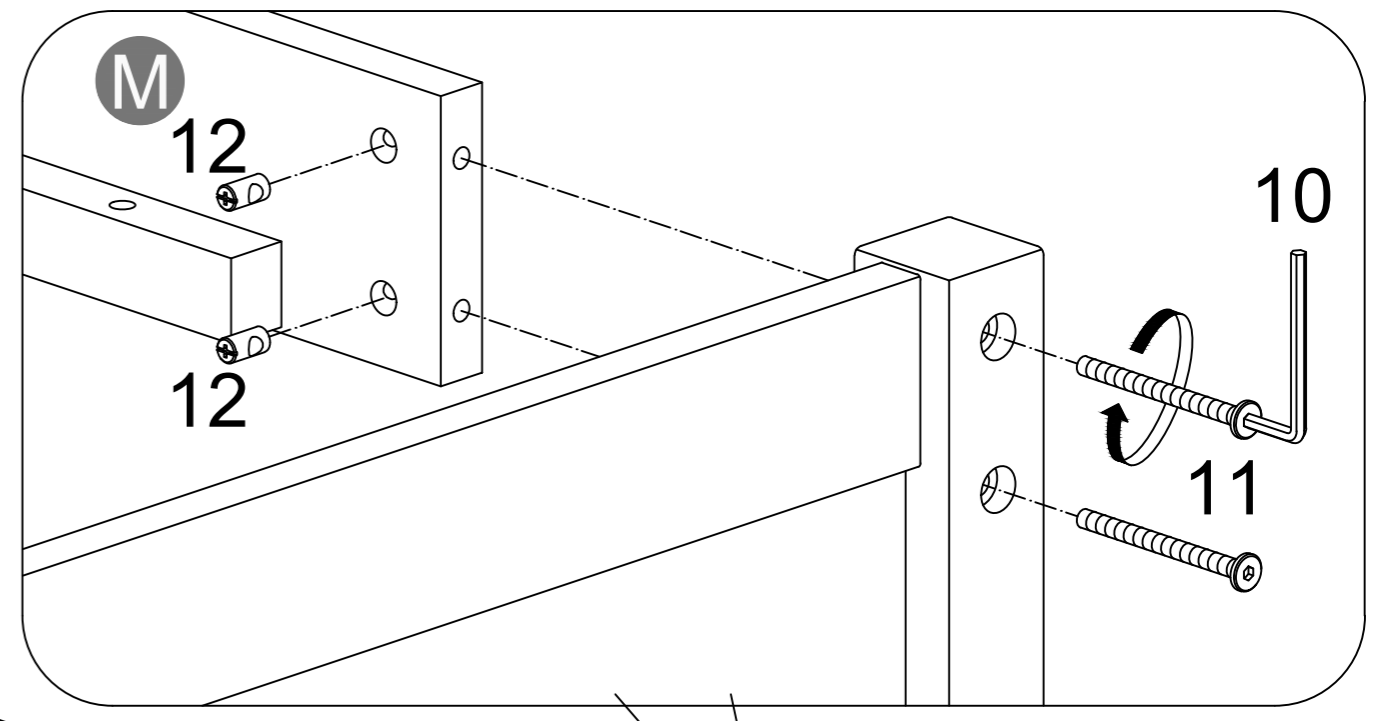
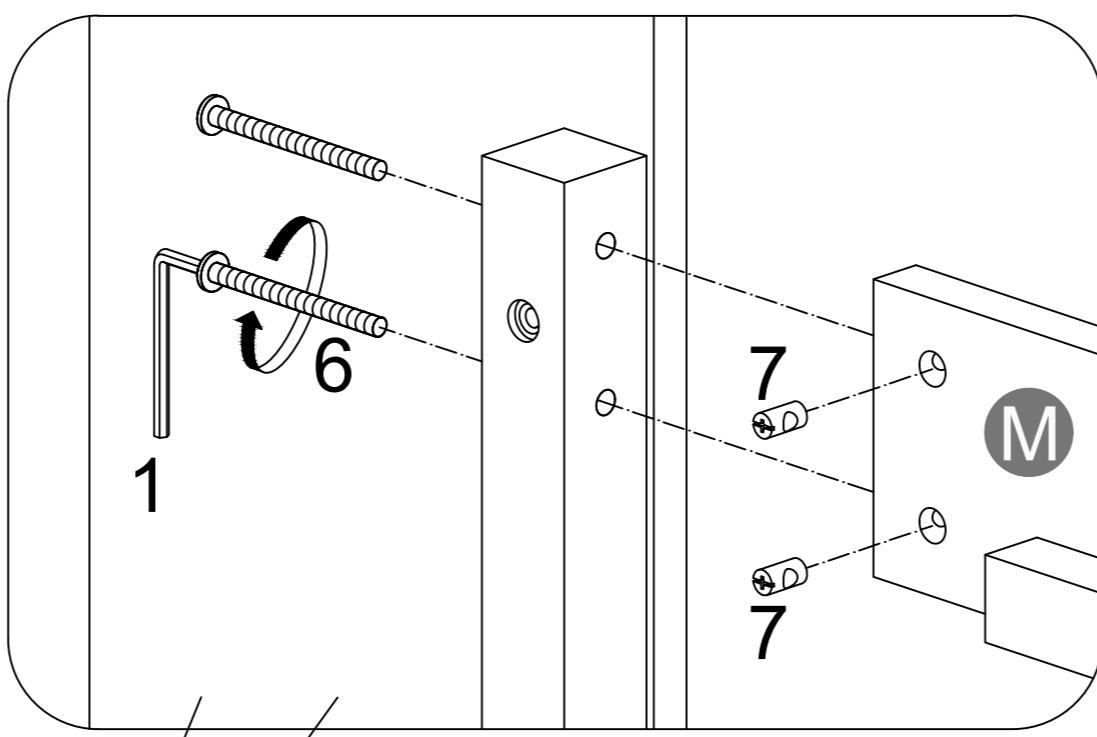


Make sure bars J-L, J-R, K are connected together on the same side (front-front, back-back)



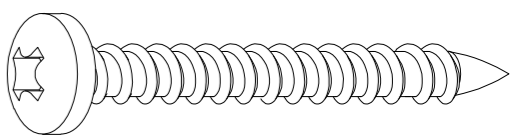
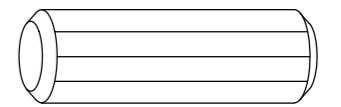
# STEP 13:

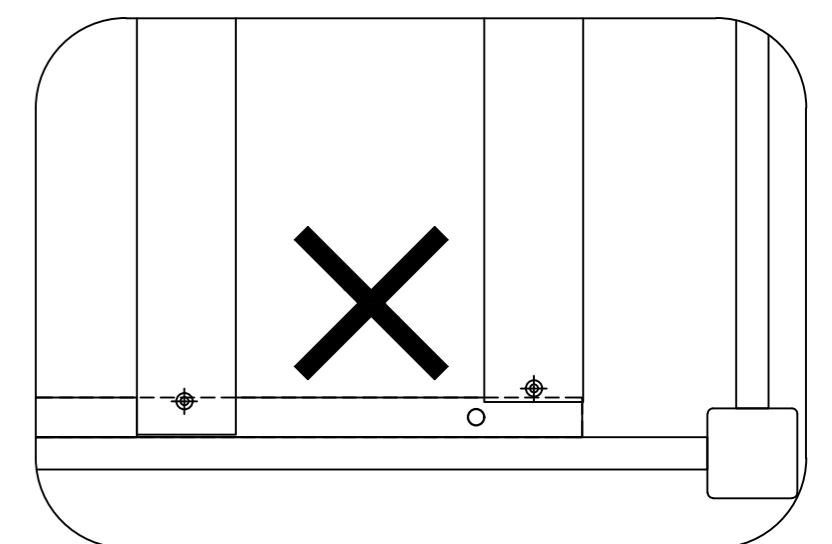
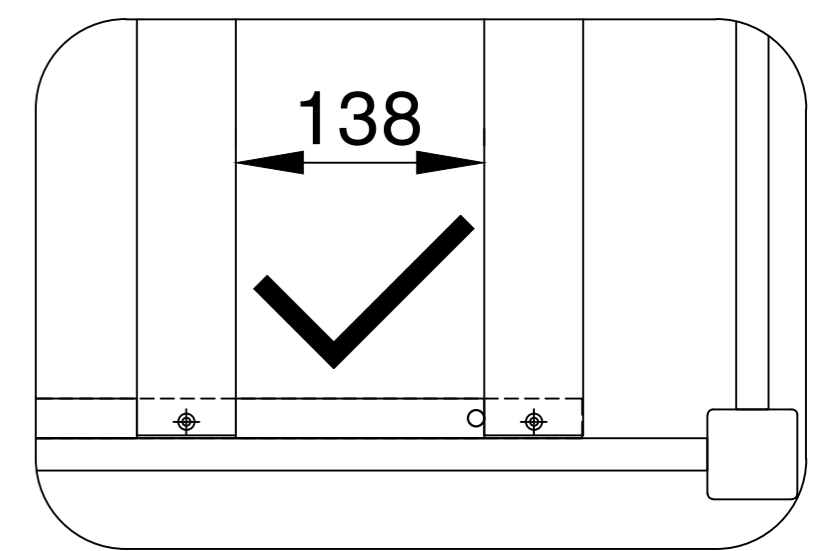
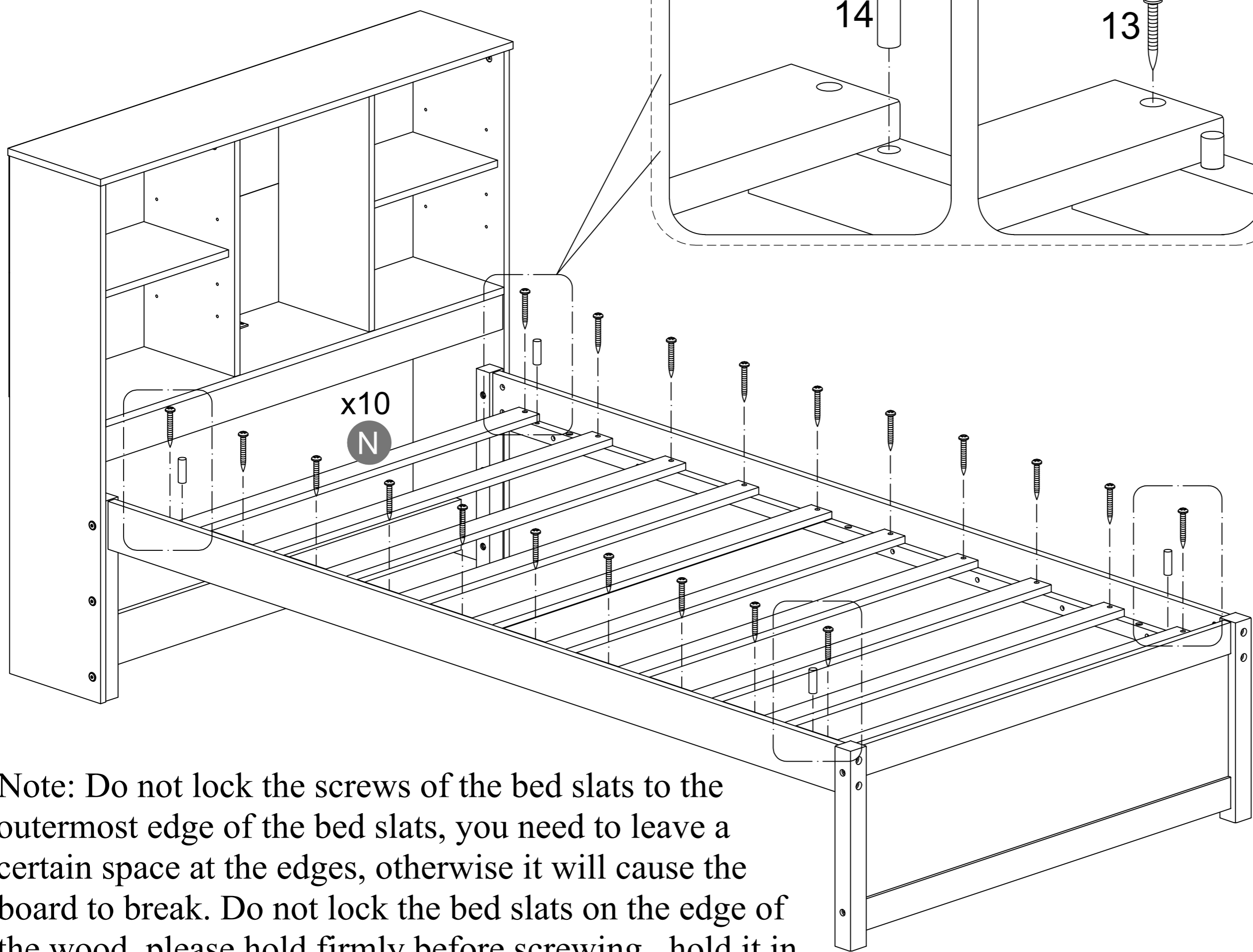
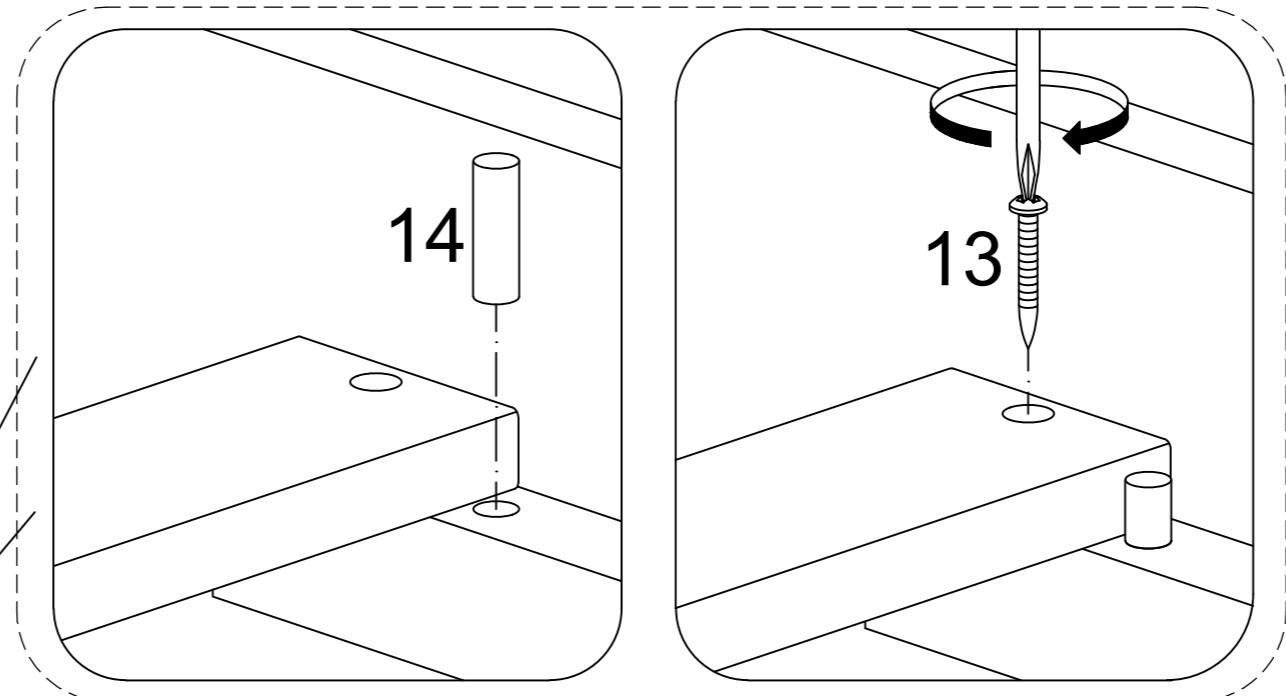
<b>6</b>		<b>7</b>	
	4pcs		4pcs
<b>11</b>		<b>12</b>	
	4pcs		4pcs



Note: Part 7, 12 will face up with the "x" mark on it, otherwise it cannot be tightened

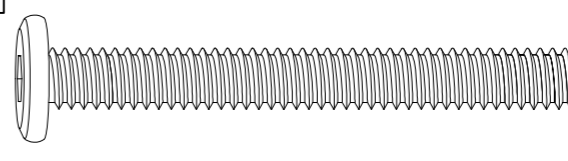
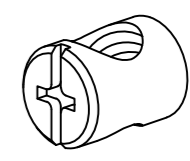
# STEP 14:

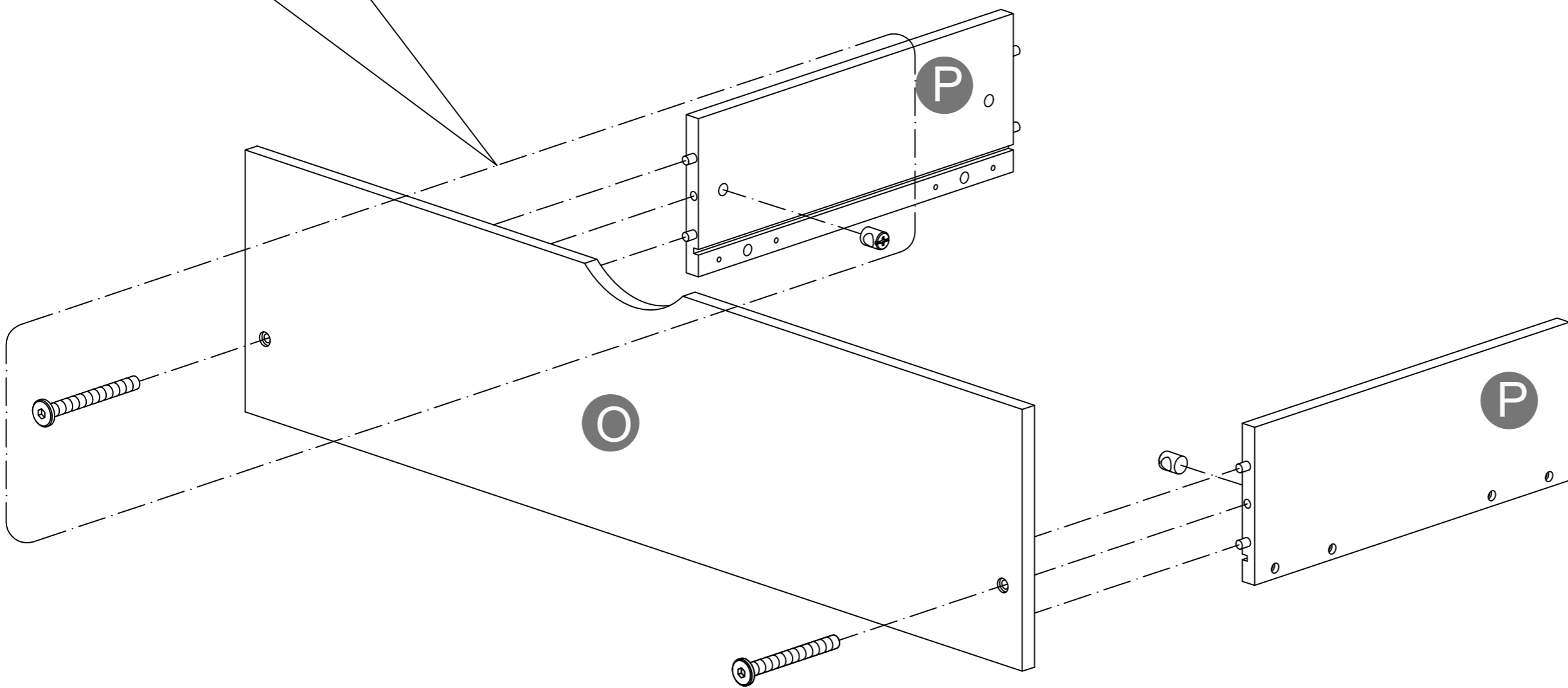
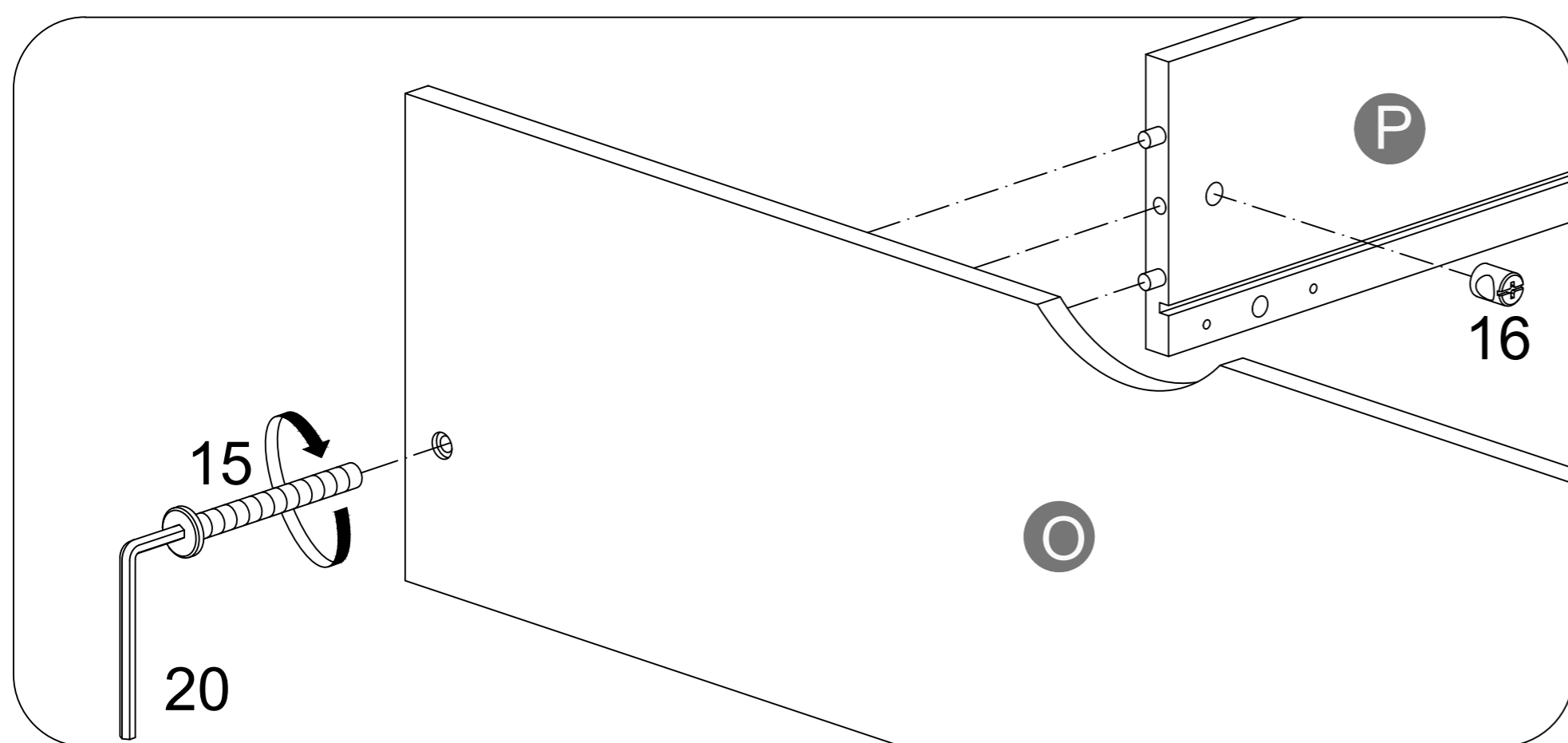
<b>13</b>	
	20 pcs
<b>14</b>	
	4pcs



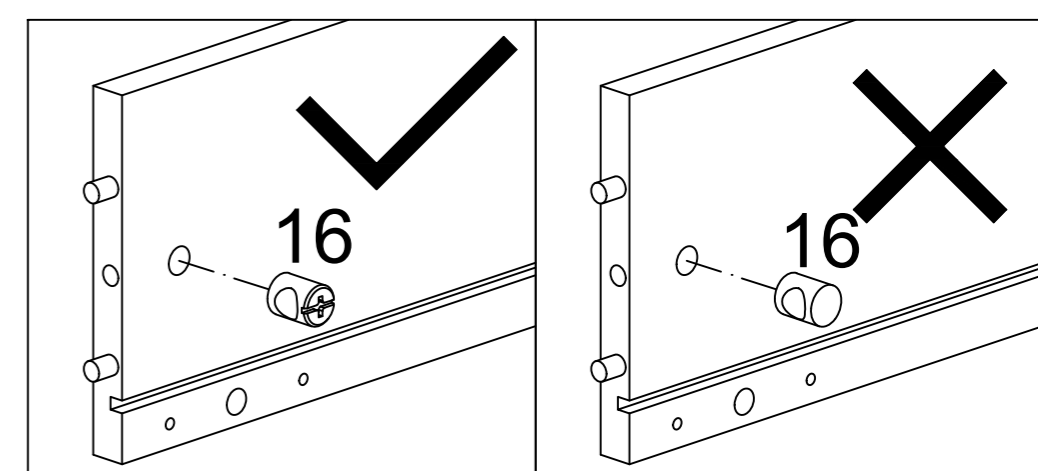
Note: Do not lock the screws of the bed slats to the outermost edge of the bed slats, you need to leave a certain space at the edges, otherwise it will cause the board to break. Do not lock the bed slats on the edge of the wood, please hold firmly before screwing, hold it in place with one hand, then lock the screw.

# STEP 15:

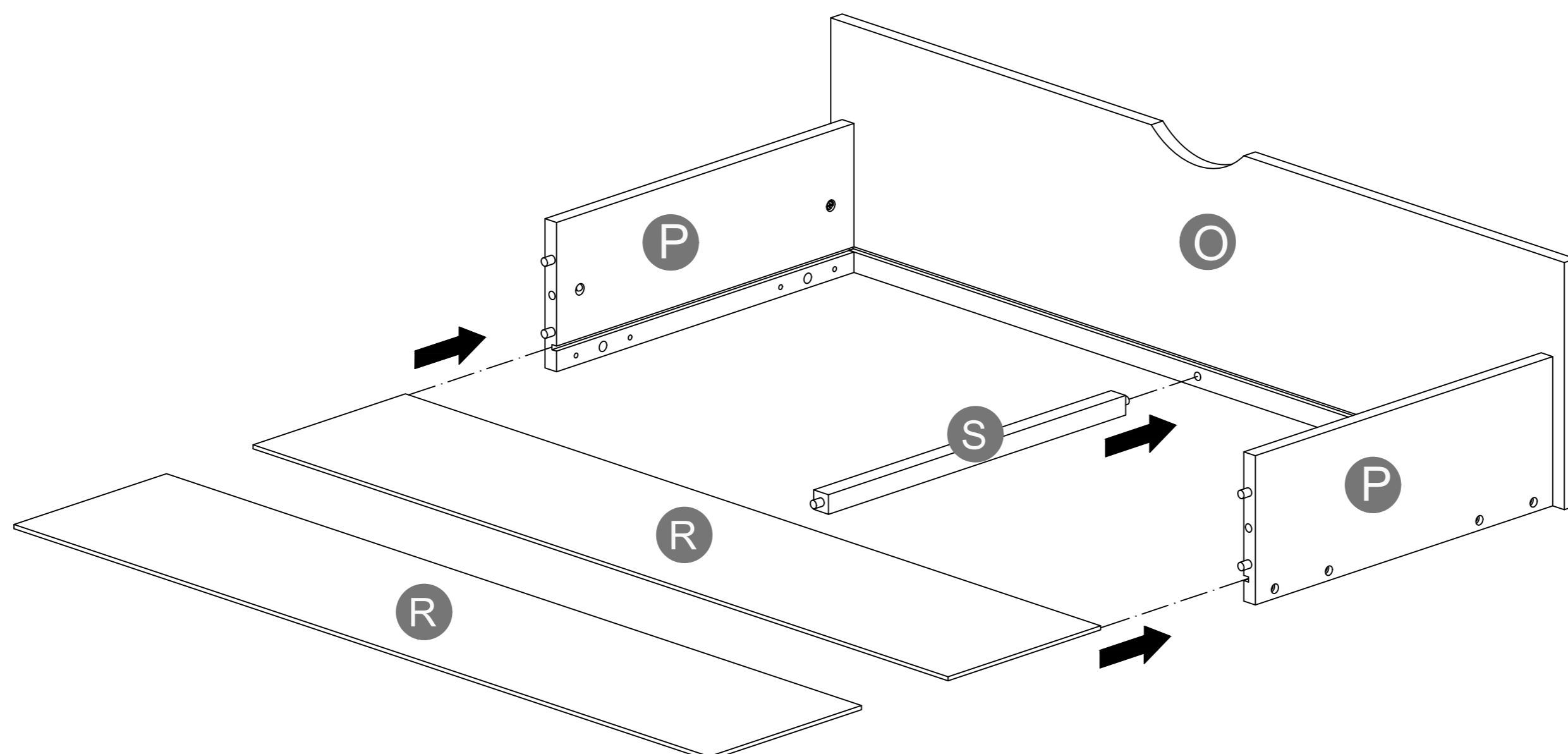
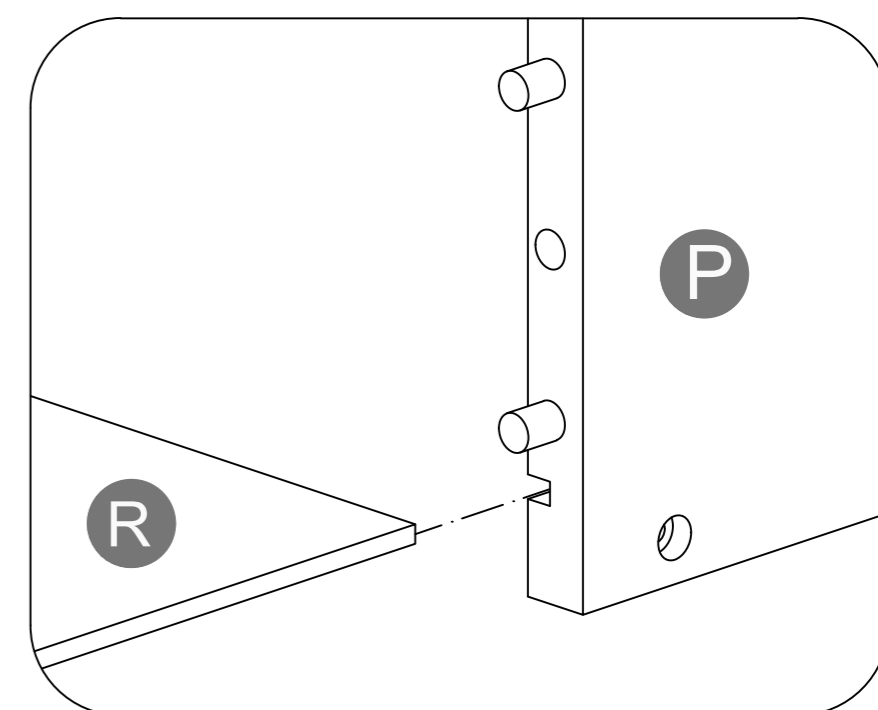
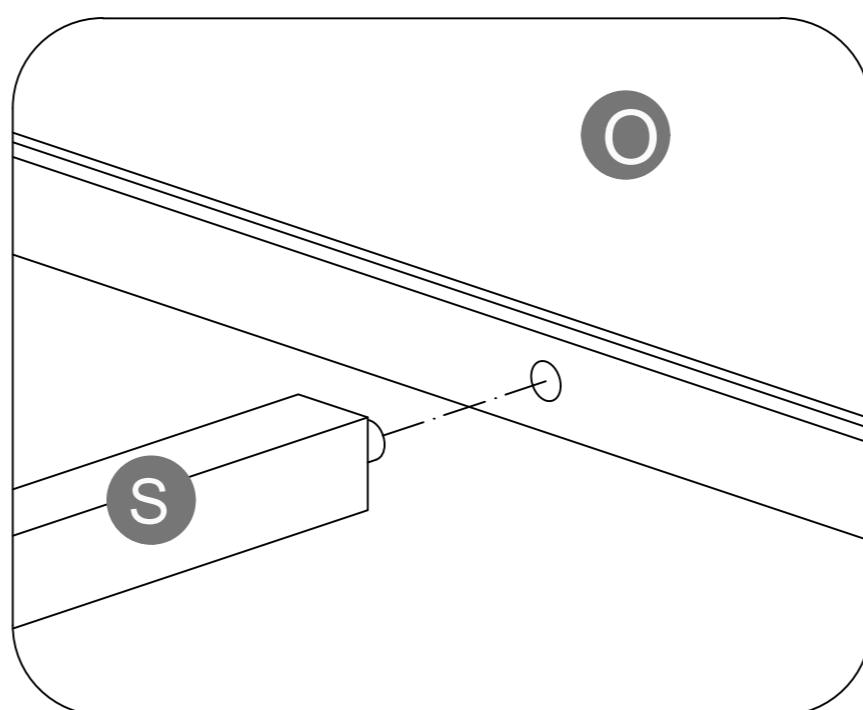
<b>15</b> 	<b>16</b> 
4pcs	4pcs



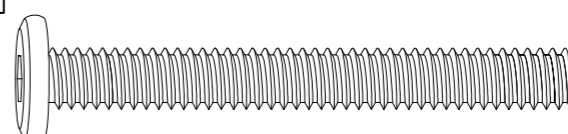

Note: Part 16 will face up with the "x" mark on it, otherwise it cannot be tightened

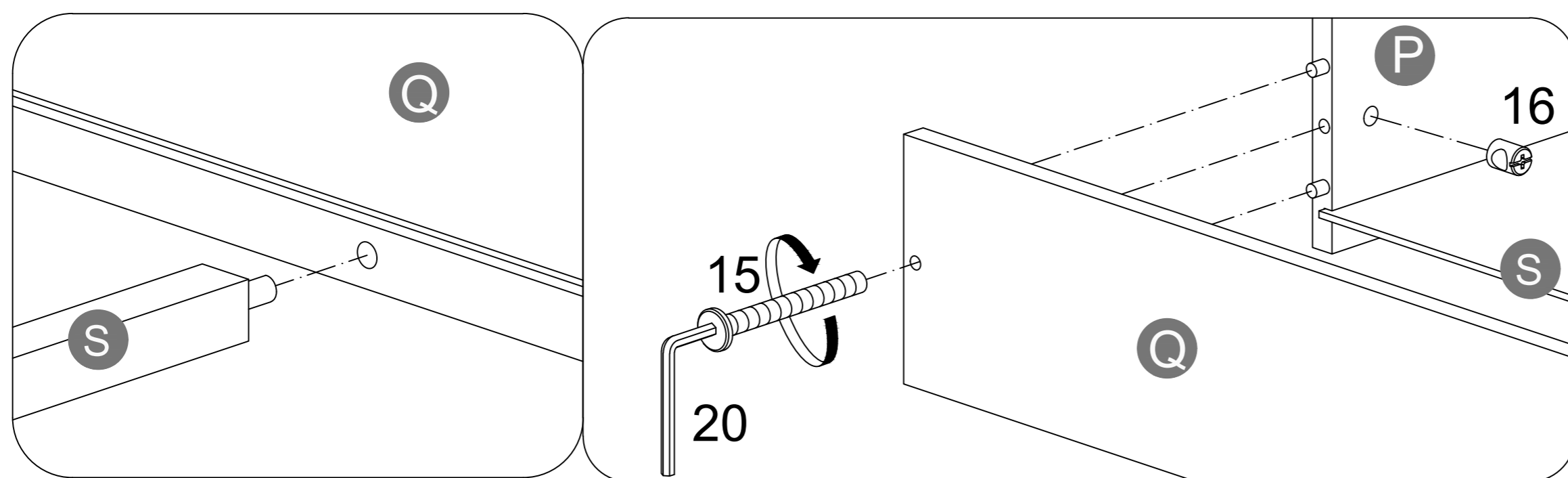


# STEP 16:

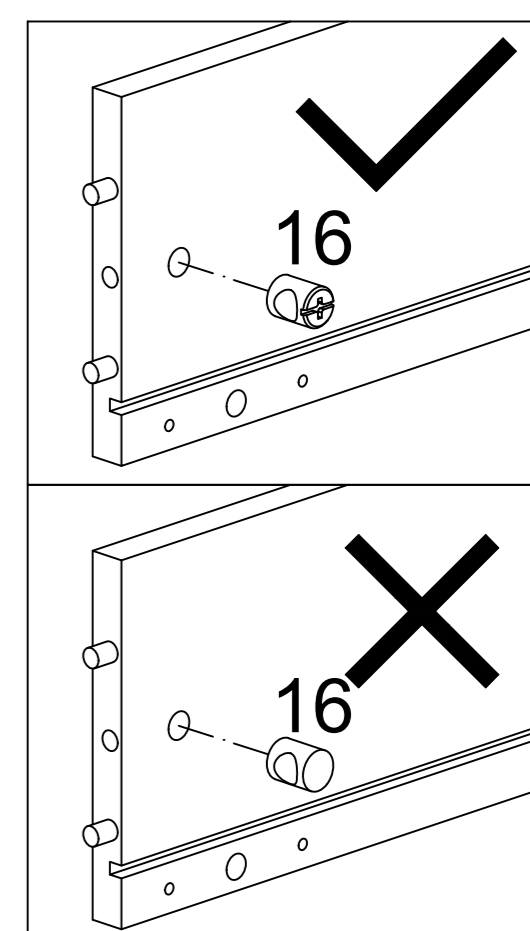
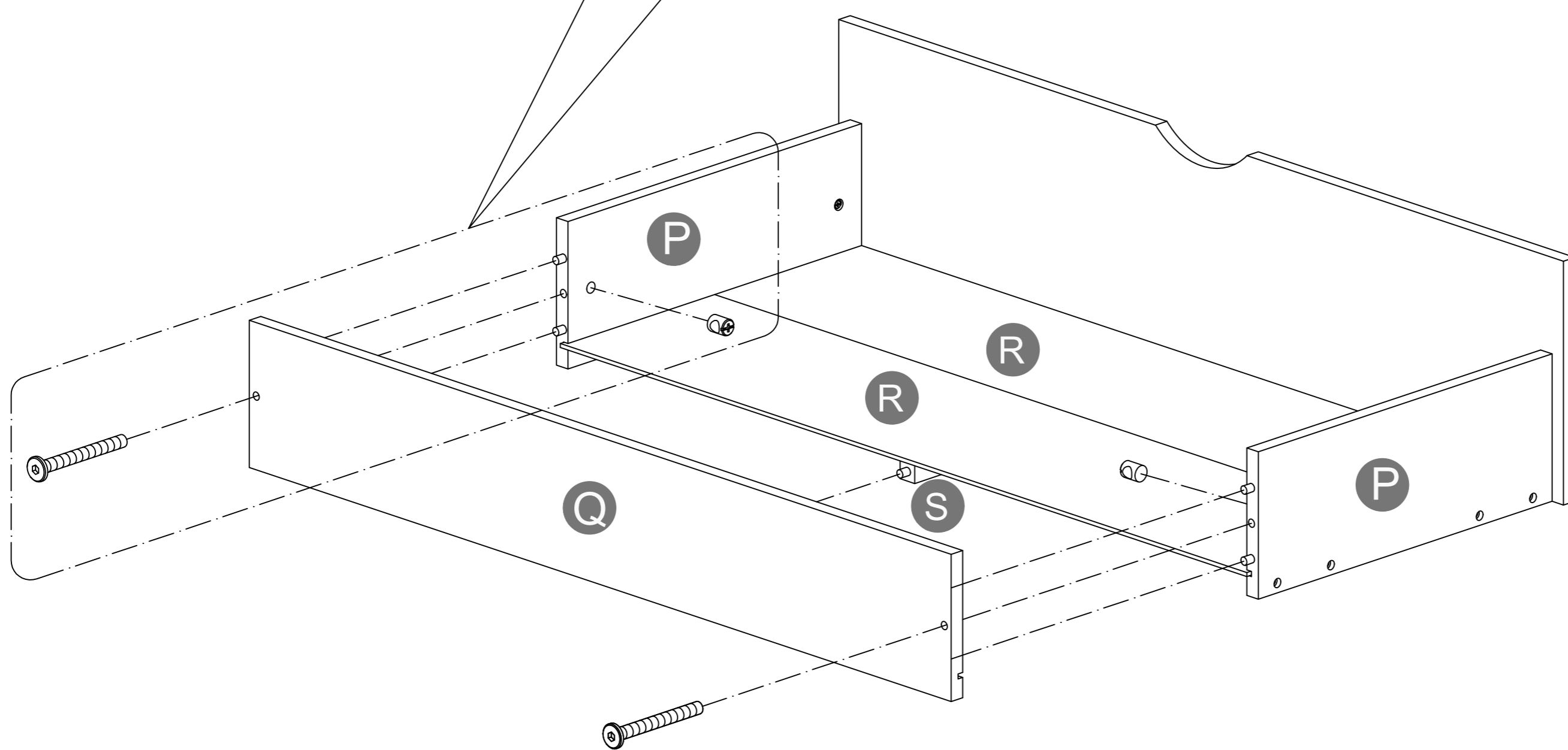


# STEP 17:

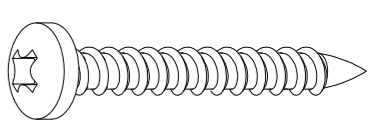
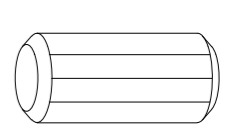
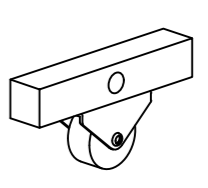
<b>15</b>		<b>16</b>	
4pcs		4pcs	

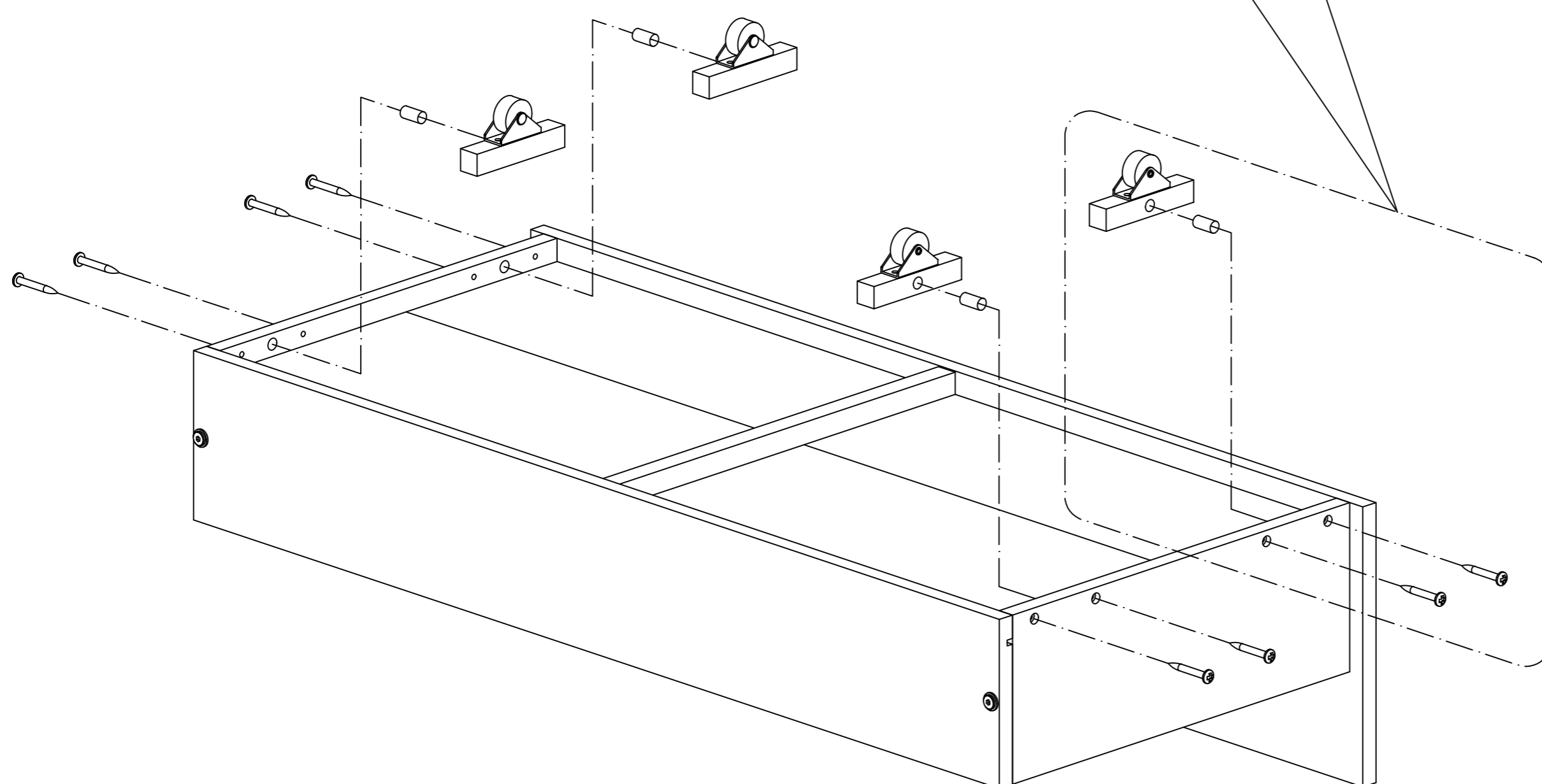
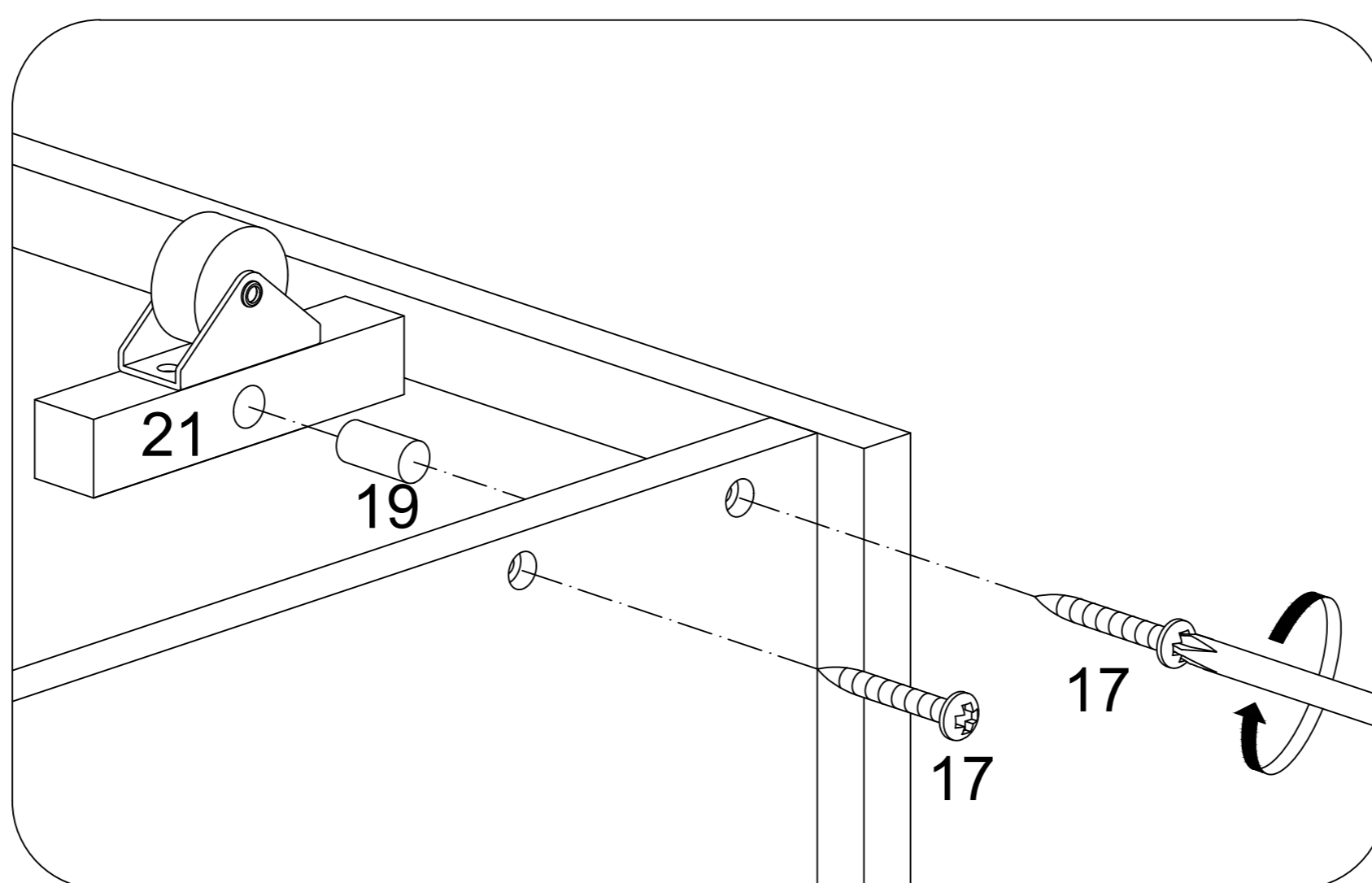


Note: Part 16 will face up with the "x" mark on it, otherwise it cannot be tightened

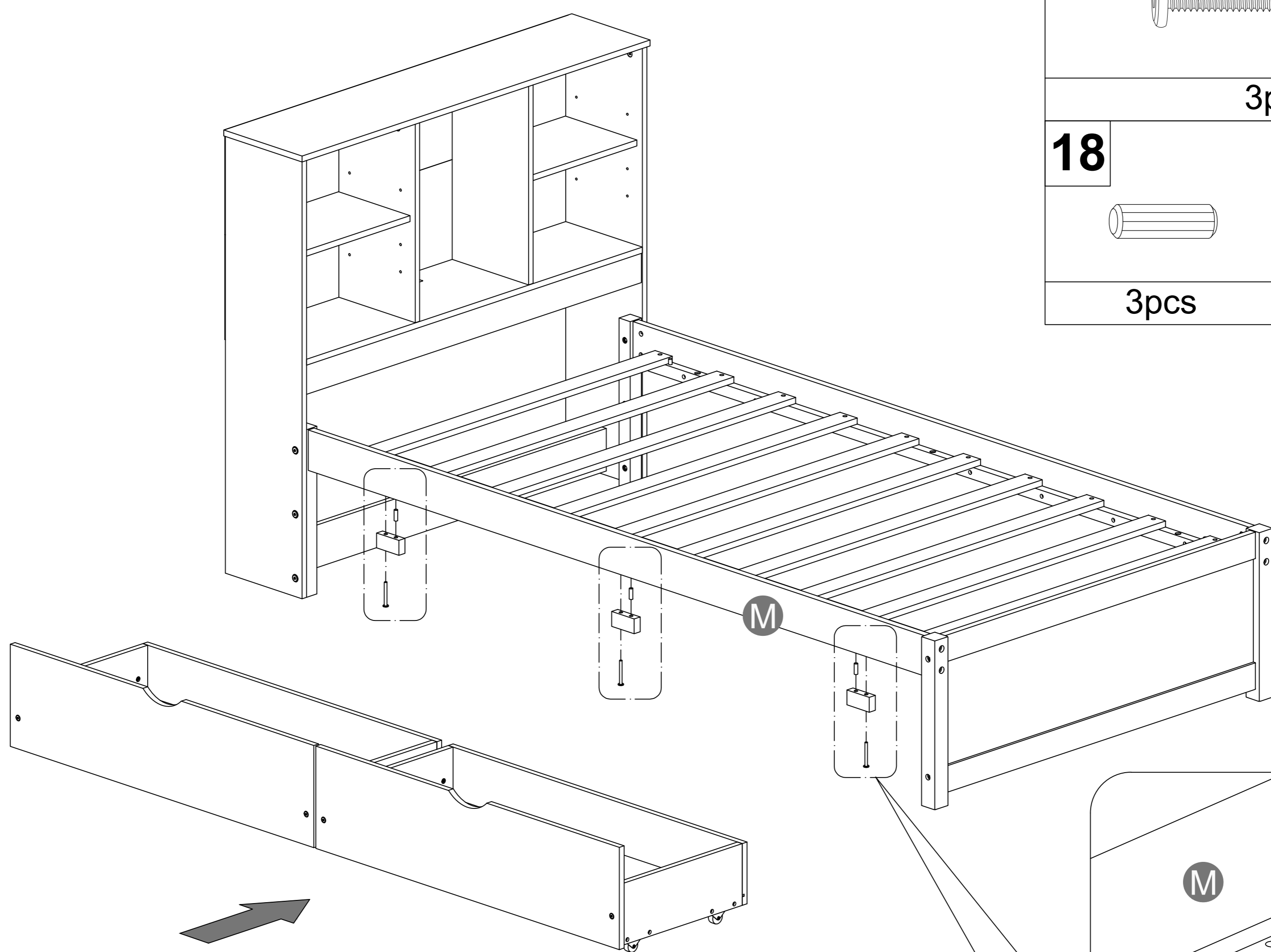


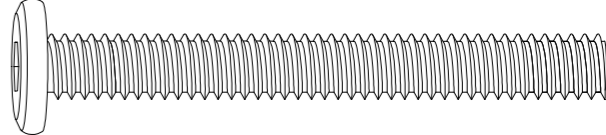
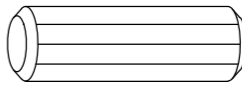
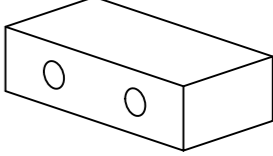
# STEP 18:

<b>17</b>	
16 pcs	
<b>19</b>	
8pcs	
<b>21</b>	
8pcs	

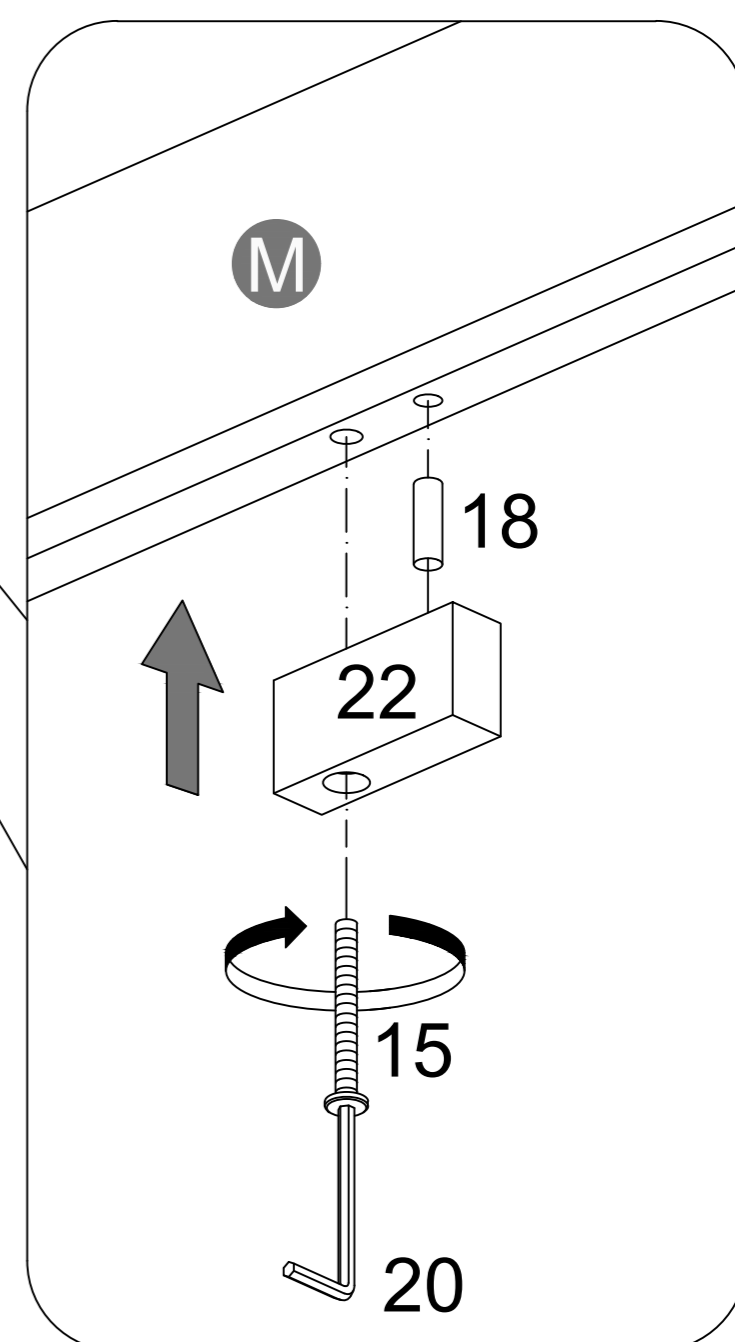


# STEP 19:



<b>15</b>	
3pcs	
<b>18</b>	
3pcs	
<b>22</b>	
3pcs	

Push Drawers under the bottom of Bed.



**Make sure to tighten all the screws of the bed.**