

DREAMS

IDEA

Instruction Manual



DREAMS/DEA

NO.CH0058

ABOUT US

DREAMSIDEA IS A ONE-STOP HOME
FURNISHING AND SERVICE COMPANY BASED IN USA.

WE ARE DEDICATED TO BRING YOUR DREAM HOME TO LIFE.

OUR SERVICES COVER FROM DESIGN, PRODUCTION,
DIRECT SELL, STORAGE, AND TRANSPORTATION.

IF REALITY IS THE NEAR SHORE

AND IDEALISM THE FAR SHORE,

DREAMSIDEA

AS THE FERRY BETWEEN THEM,

EAGER TO ACCOMPANY YOU ON A JOURNEY

TO YOUR IDEAL HOME.



ITEM NO.CH0058

WARRANTY

We strive to offer high quality product and we also try our best to satisfy each customer that order from us, no matter on products or services as needed. Each customer receives a record of their order, such as the order number or item receipt. For any items that are out of warranty period, you may still be able to purchase the replacement parts from our company if they are available.

Are you having difficulty
with assembly? Missing parts?

Please contact us: info@firstopintl.com

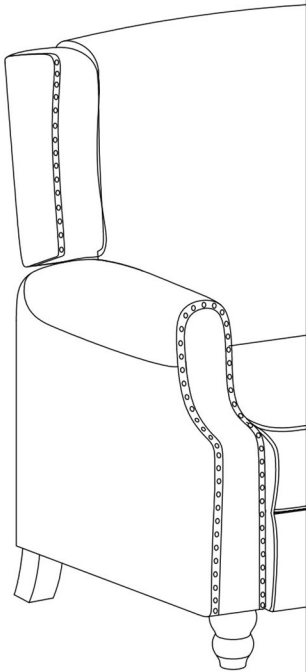
Tel: (562)-781-3327

send an email with your order No. to us

For return, please check the return policy with
the retailer or platforms you bought from.

Appreciate your purchasing from us.

Pop up your life by our furniture !



MAINTENANCE AND WARNING

Please read the manual thoroughly
before you start installing.

Please keep the product away from
sharp object.

Packaging and small parts may have
chocking hazard, please keep them away
from children and pets.

Please clean the product according to each
clean code, check the product description
for more information.

Please keep the product away from
fire.

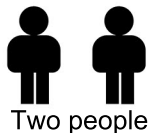
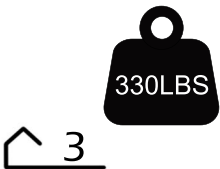
If you have any other questions, please
contact us, we will be glad to help you out.

If the product is placed under direct
sunlight, the pattern or color might fade
away overtime.

Check the product periodically to make
sure everything is secured and tightened.

Always use proper tools for installation.

Do not jump on the product.



Around 40 min

PRODUCT DESCRIPTION

Soft cotton linen fabric: Provides a cozy, breathable seating experience perfect for long hours of relaxation.

Vibrant floral and botanical design: Adds a natural touch to your home decor, enhancing the ambiance of any room.

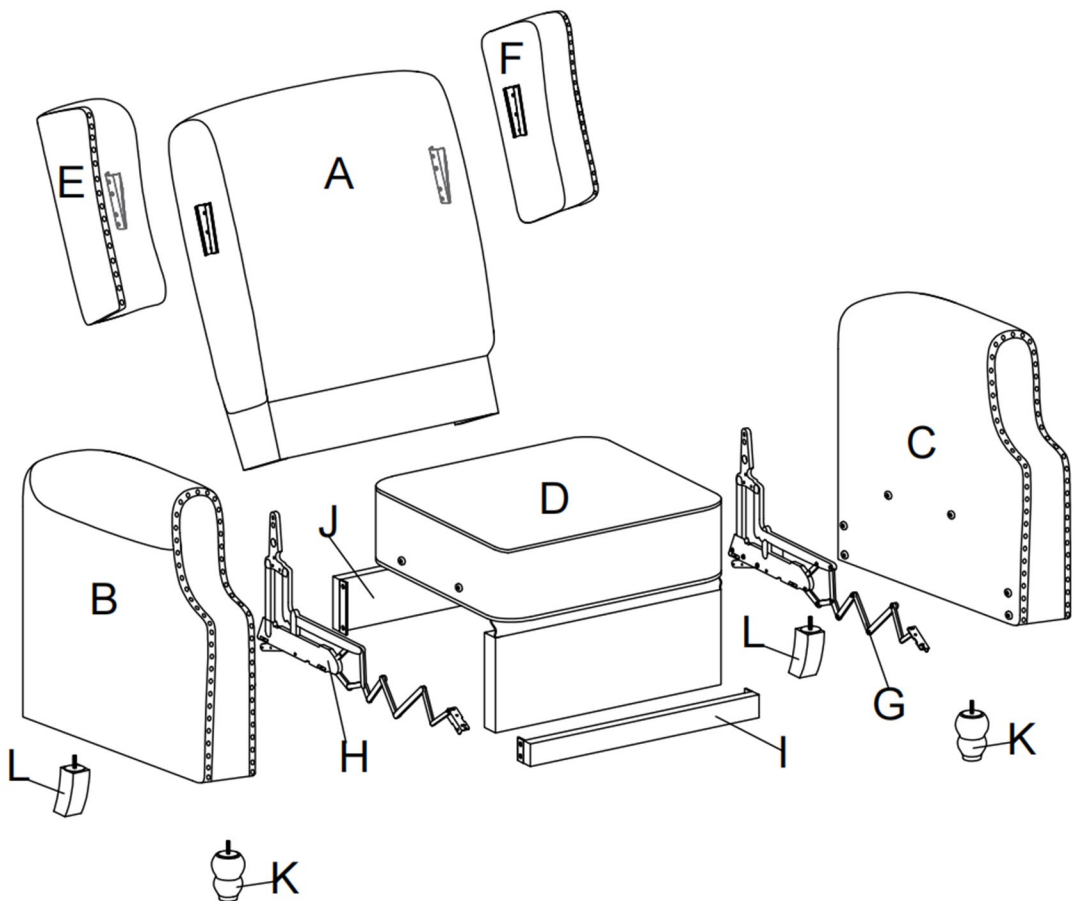
Reclining backrest: Allows you to adjust the seat to your desired angle for ultimate comfort.

Automatic footrest extension: Simply recline and the footrest automatically extends to support your legs, making it easy to find your perfect lounging position.

Solid wood legs: Offer both durability and stability, ensuring the chair lasts for years to come while adding a sophisticated touch.



EXPLODED VIEW



the product's left and right are determined by sitting posture

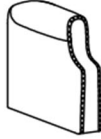
PARTS

A*1



Backrest

B*1



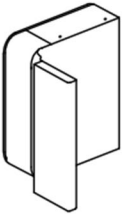
Armrest-Right

C*1



Armrest-Left

D*1



Seat frame

E*1



Right wing

F*1



Left wing

G*1



Sofa metal functional support-left

H*1



Sofa metal functional support-right

I*1



Connecting part-Front

J*1



Connecting part-Back

K*2



Wood leg -front

L*2



Wood leg -back

HARDWARE

TOOL LIST

NOTICE:

The part of hardware (2),(3) and(5) already pre installed on the PRODUCT part.

①*1



Allen key

②*16



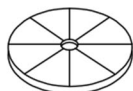
M6*40mm
Bolt

③*4



M6*16mm
Bolt

④*4



Plastic
washer

⑤*8

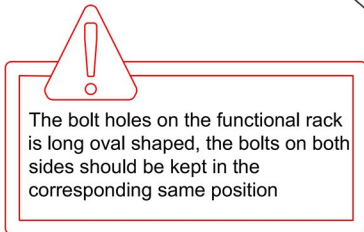
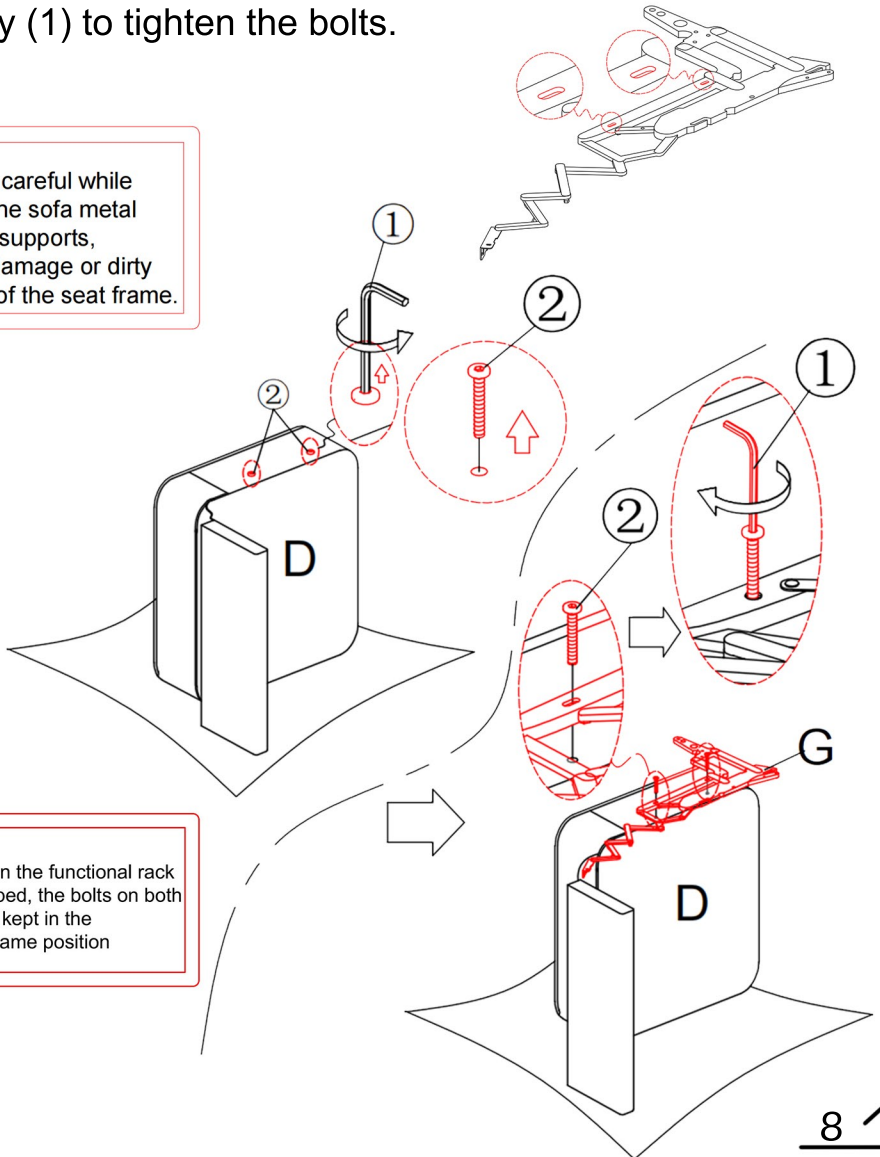


Flat washer

Please make sure all hardware&packing material fitting the list.
Especially some small accessories may be missing during transportation. Please contact us if you have any question.

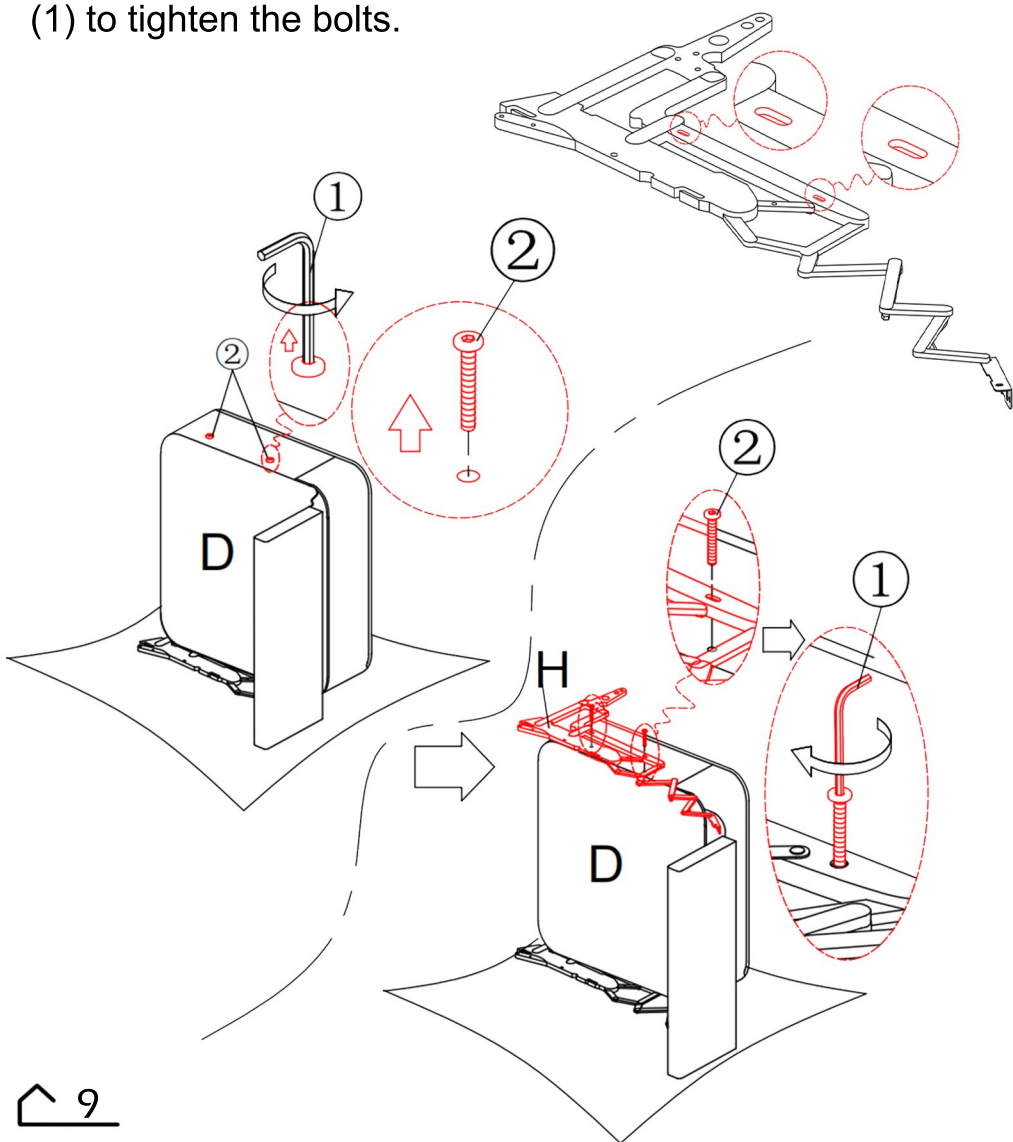
step 1 ---Install the sofa metal functional supports

Remove the pre-drilled bolts (2) from both sides of the seat frame (D), then place the seat frame on its side on a clean surface as shown. Align the holes on the sofa metal functional supports (G) with the holes on seat frame, use the allen key (1) to tighten the bolts.



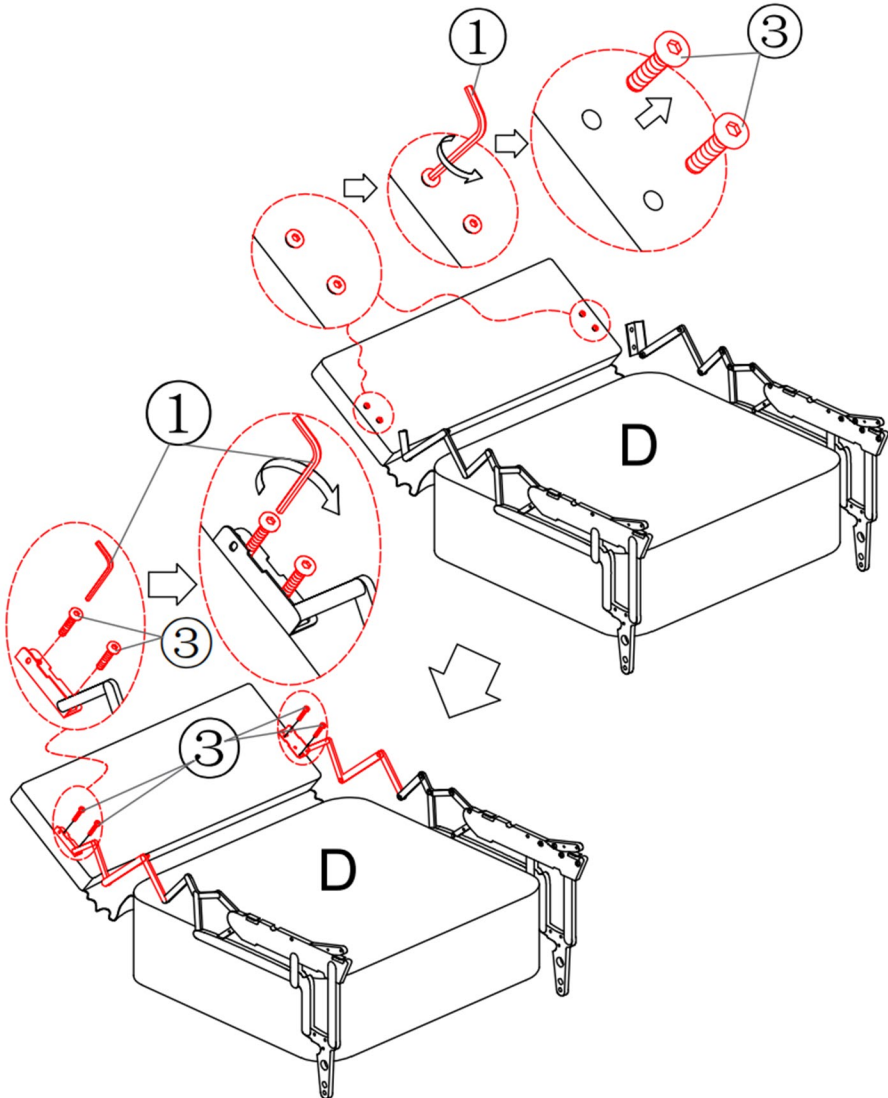
step 2 ---Install the sofa metal functional supports

Remove the pre-drilled bolts (2) from both sides of the seat frame (D), then place the seat frame on its side on a clean surface as shown. Align the holes on the sofa metal functional supports (H) with the holes on seat frame, use the allen key (1) to tighten the bolts.



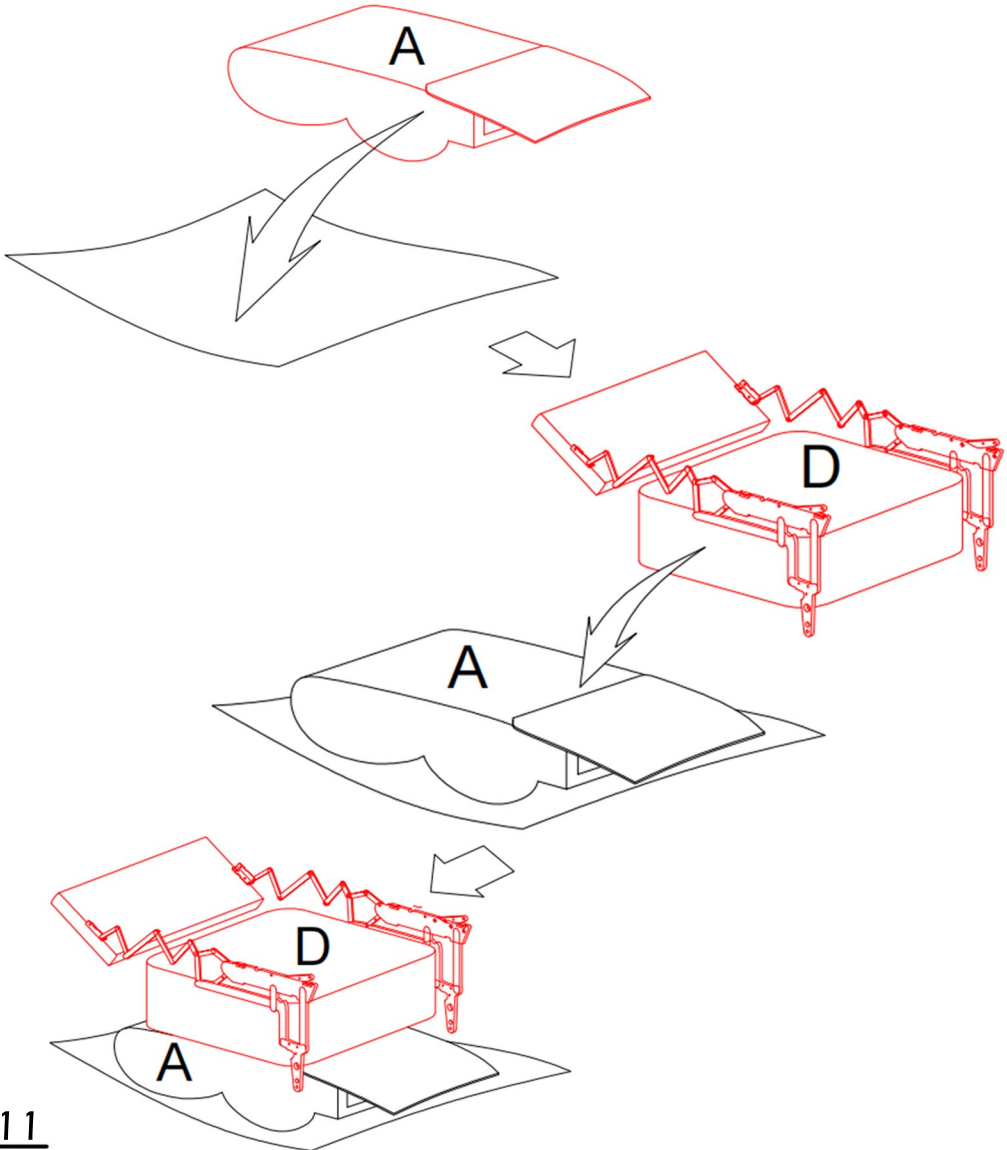
step 3 ---Install the sofa metal functional supports to the footrest

The board that connect to the seat frame is the footrest, remove the pre-installed bolts (3) from the footrest, then align the bolt holes on the footrest with the bolt holes on the extended part on the sofa metal functional supports, use the allen key (1) provided to tighten the bolts.



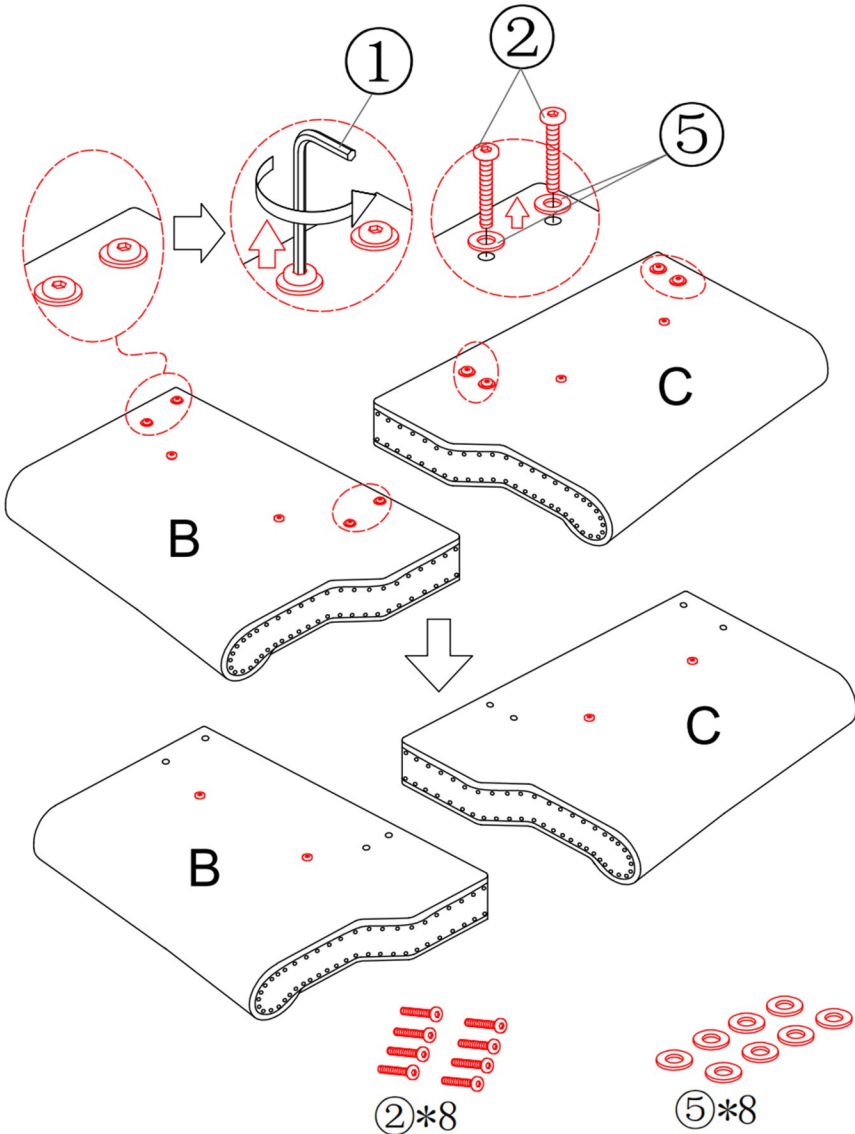
step 4 ---Place seat frame on the backrest

Place the backrest (A) flat on a clean surface as an elevated pad. Then place the pre-installed seat frame from the last step onto the backrest as shown in the figure.



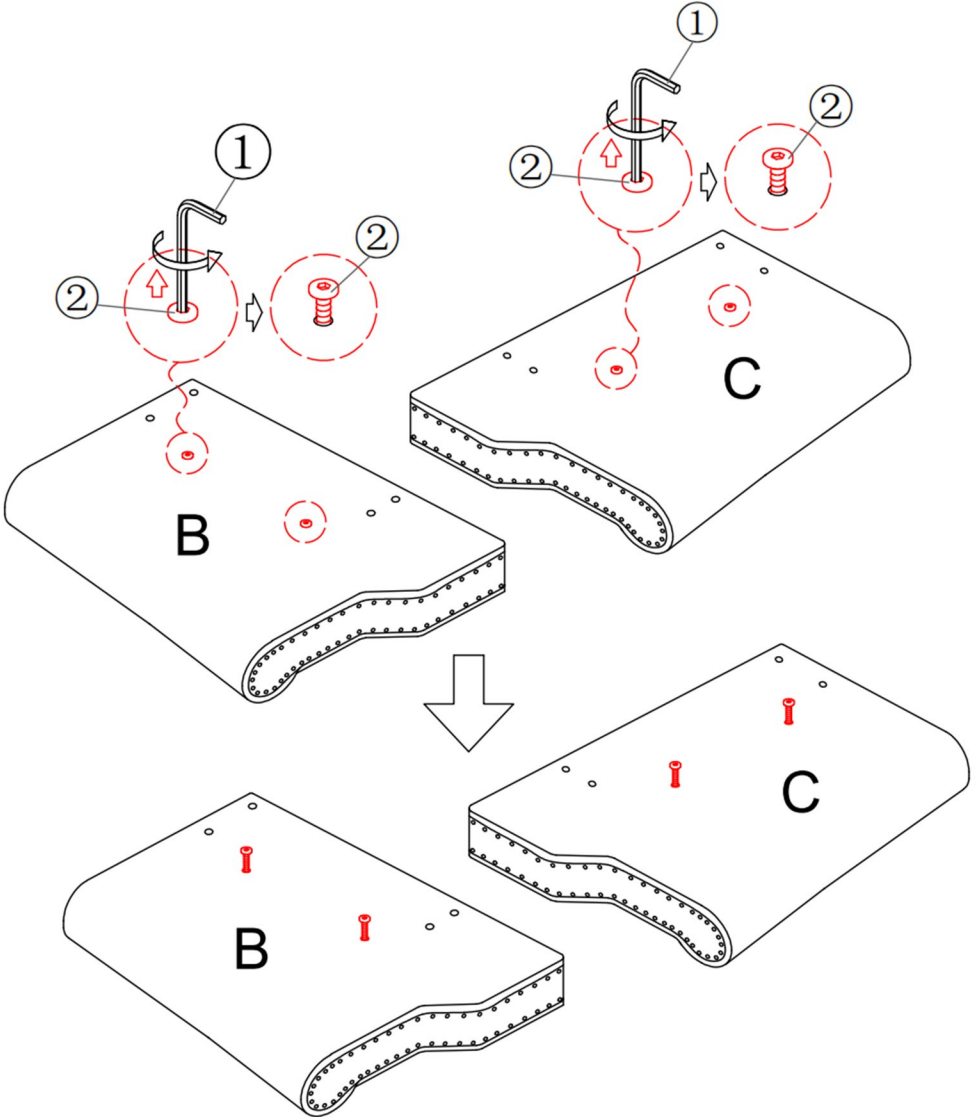
step 5 --Take out the bolt (2) from the armrest

According to the diagram, use the allen key provided to unscrew the circled bolts completely, there will be 8 bolts totally. Remove the bolts and washers from parts to install the Connecting part Front and Back on Step 9.



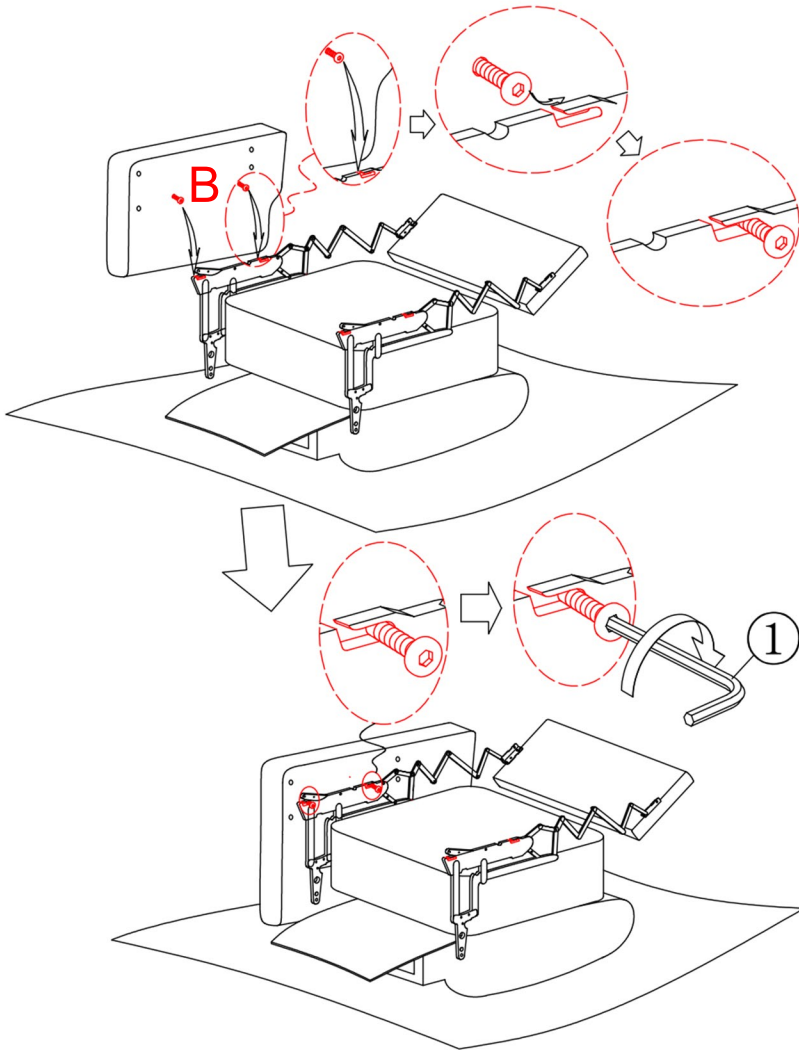
step 6 ---Loosen the bolt (2)

According to the diagram, unscrew the bolts at position of the circle for 2/3, do not unscrew completely



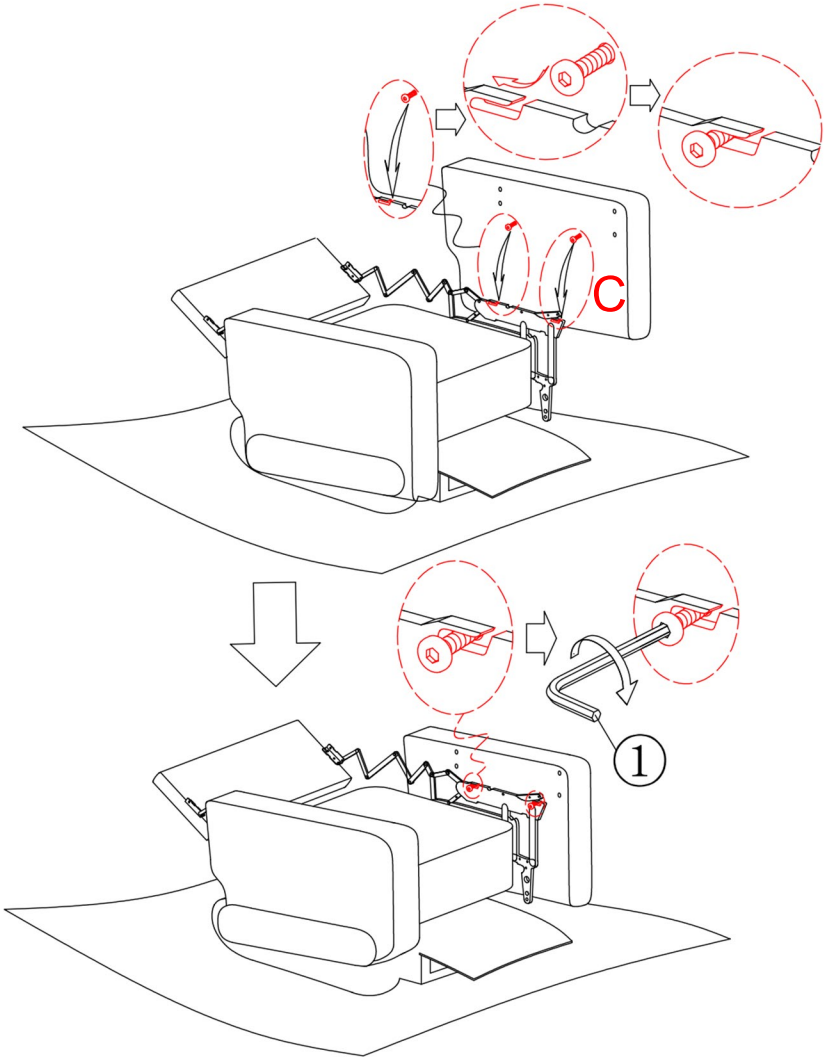
step 7 ---Install the armrest (B)

Use the 1/3 remained screws from last step (labeled step 6) to hang the armrests (B) into the hold with a notch on iron frame as shown, make sure both of the bolts are correctly aligned. Use the allen key (1) provided to tighten both bolts, make sure both bolts are fully tightened before next step.



step 8 ---Install the armrest (C)

Use the 1/3 remained screws from last step (labeled step 6) to hang the armrests (C) into the hold with a notch on iron frame as shown, make sure both of the bolts are correctly aligned. Use the allen key (1) provided to tighten both bolts, make sure both bolts are fully tightened before next step.

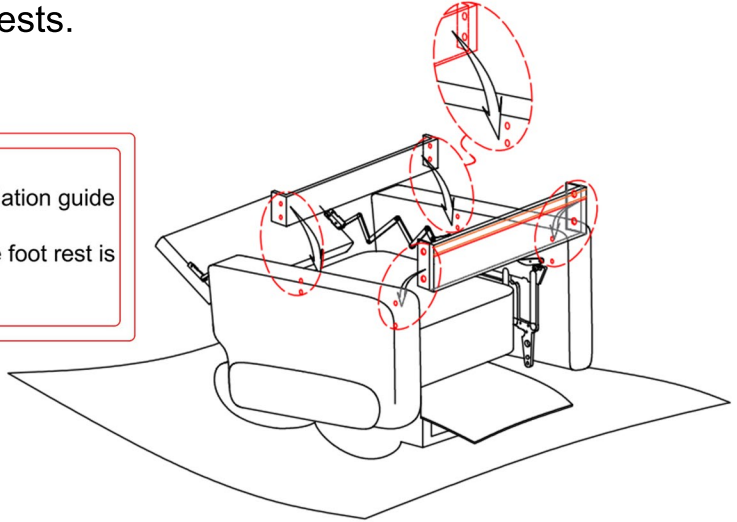


step 9 ---Install the Connecting part

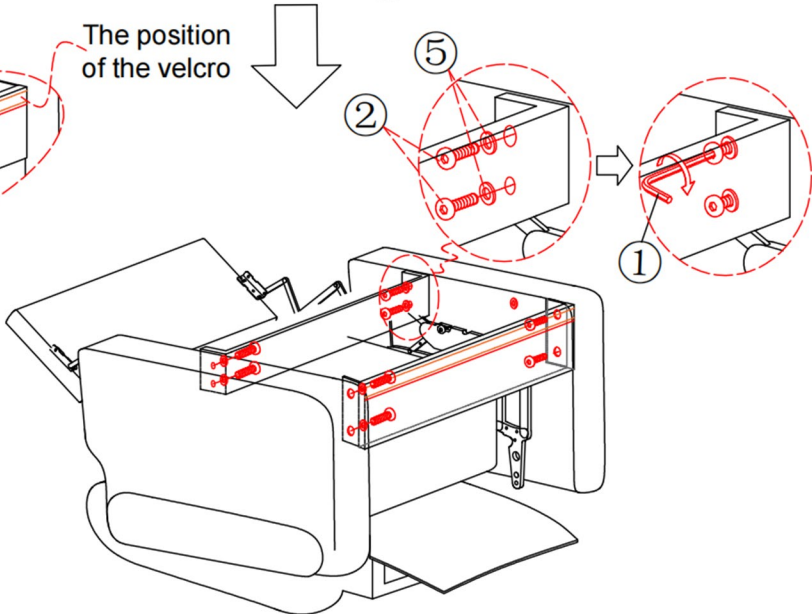
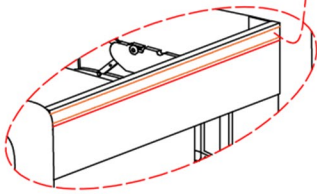
As the diagram shows, place the bolts through the bolt holes on the metal parts of the connecting part-front, and install to the front part of the armrests. Repeat the same step for the back part of the armrests.



1. Place accord the installation guide clearly.
2. The armrest point to the foot rest is the front part.

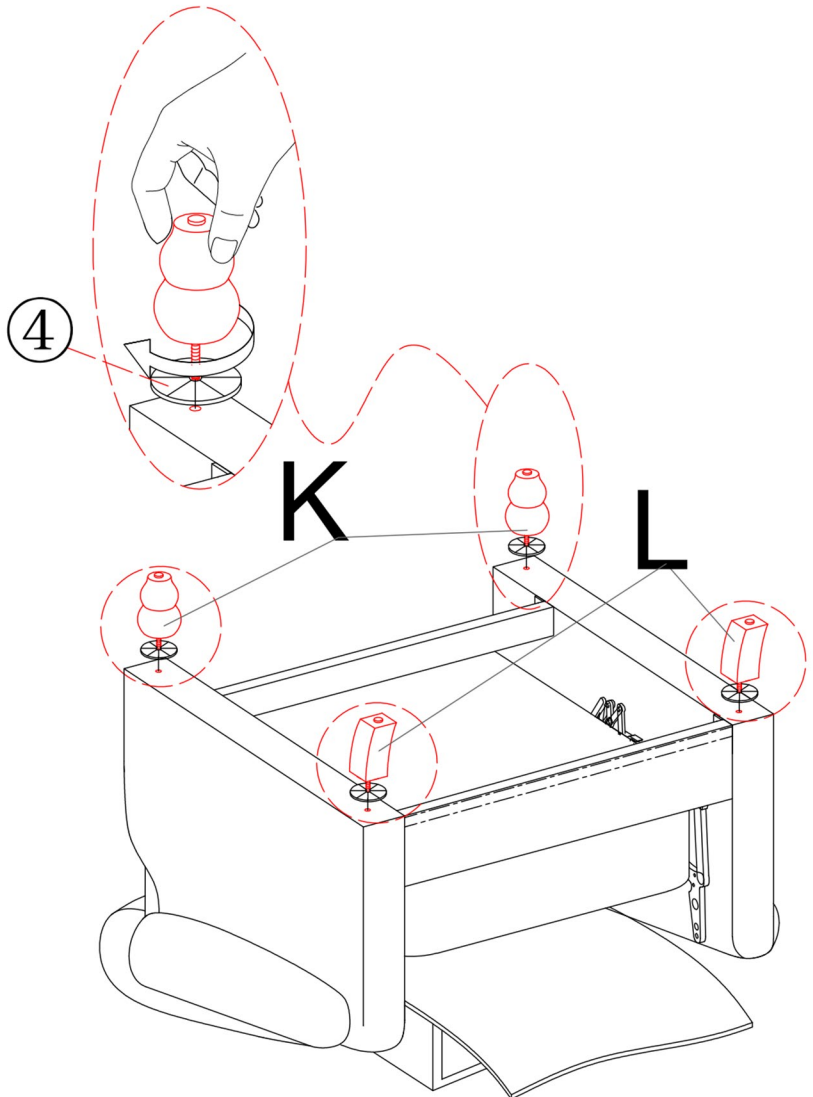


The position of the velcro



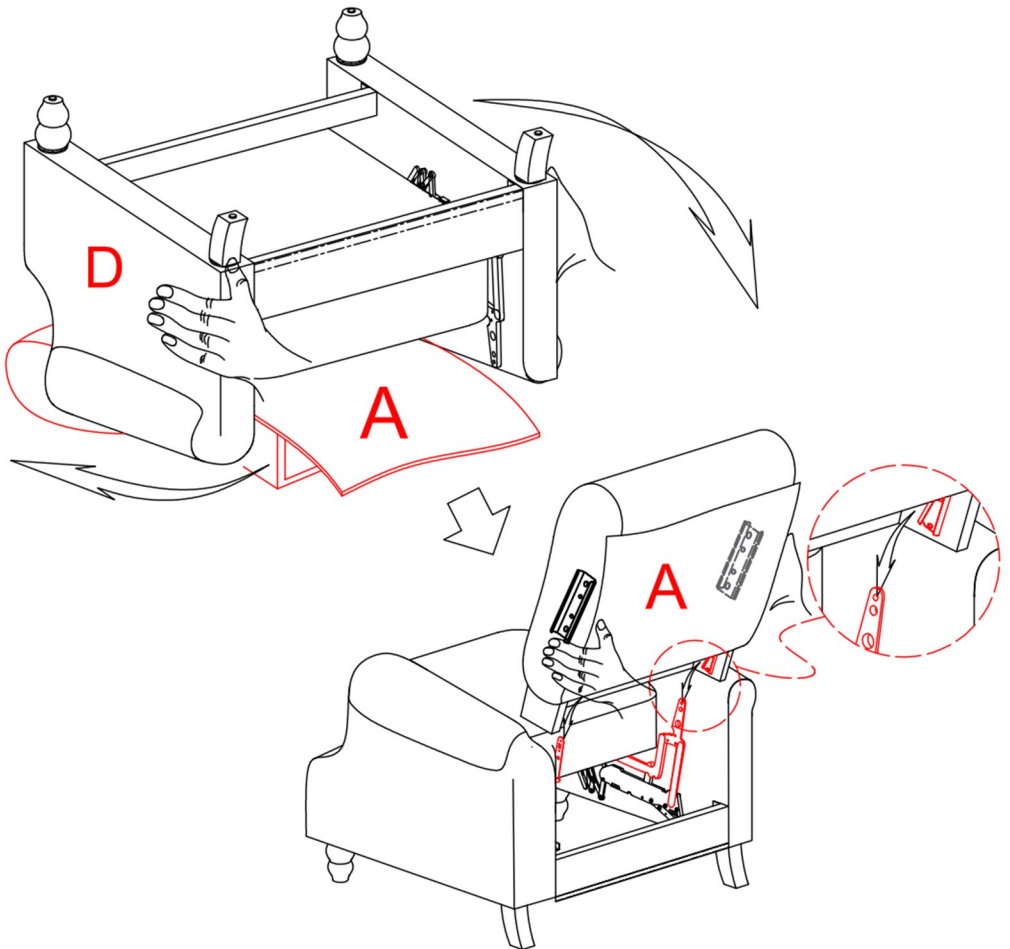
step 10 ---Install the legs

Place one plastic washer (4) on the bolt part of the wood legs, then twist in the front and back wood legs (K & L) into the pre-drilled holes on the bottom of the armrests. Make sure they are fully tightened.



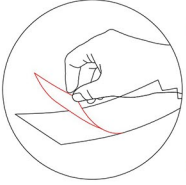
step 11 ---Install the backrest


Take the seat frame (D) and place it straight on the ground. Hold the backrest (A) and uncover the back cloth, align the metal connectors of the inner backrest (A) with the tip part of the sofa metal functional supports on the seat frame, and push down

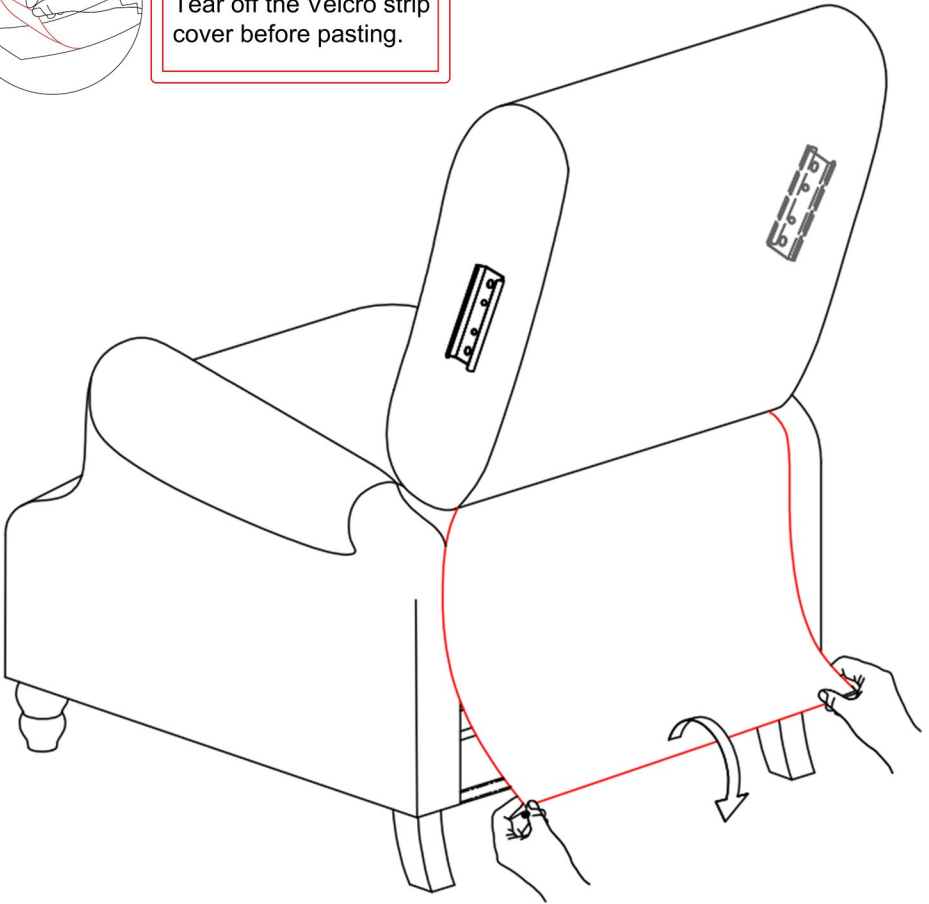


step 12 ---Stick the Velcro

Uncover the Velcro strip cover on the bottom of the back cloth, and stick the Velcro to the bottom of the connecting part-Back.



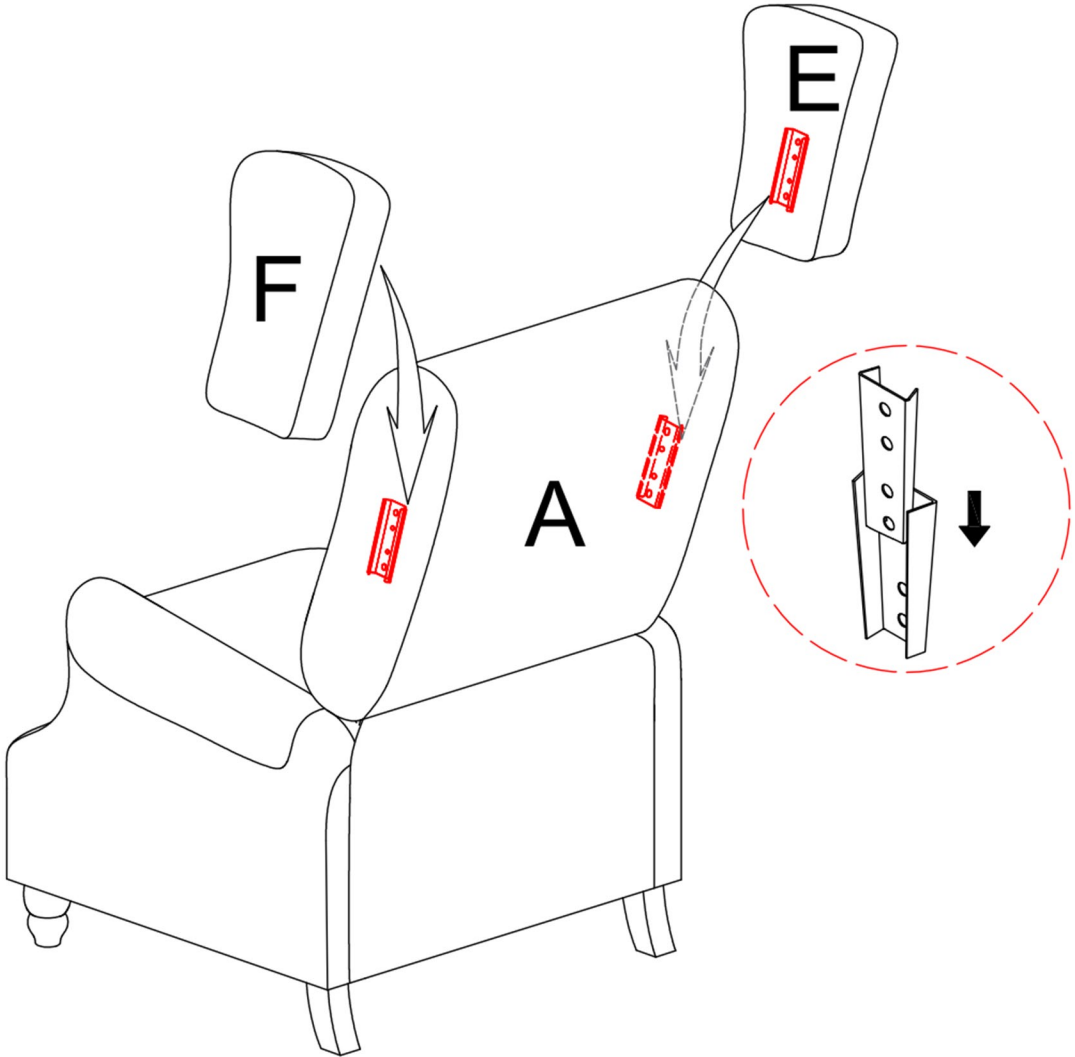

Tear off the Velcro strip cover before pasting.



step 13 ---Install the wings

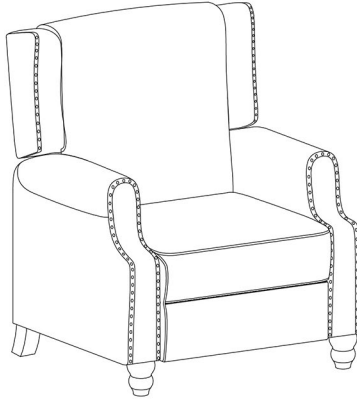
Install the wings (F&E) to the backrest as shown. Make sure the connector are aligned to the correct slot before pushing down.

Repeat this step for both side wing.

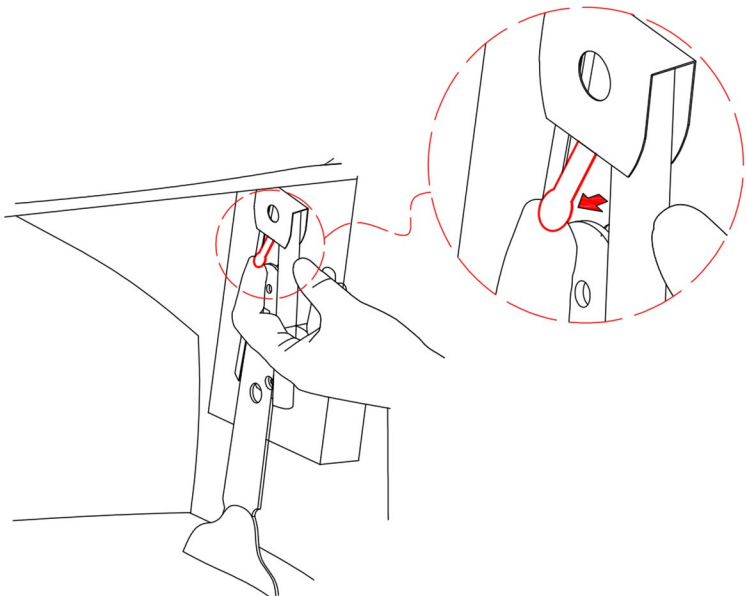


step 14 ---Assembly complete

Congratulations, the assembly is complete! Thank you again for choosing our product! Please enjoy!

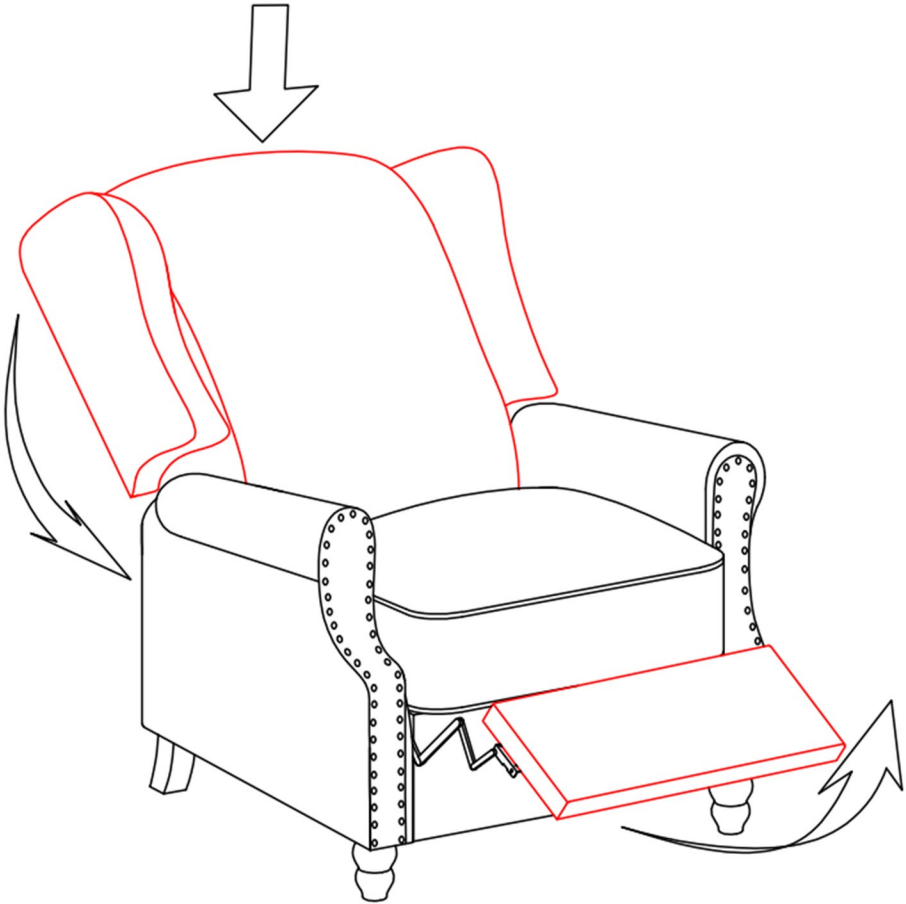


If you need to remove the backrest, please follow the illustration to open the hardware slot switch on one side of the backrest by hand, while pulling it up with force. Do the same on the other side.



step 15 ---Sofa Function Display

The backrest and the footrest are adjustable, the backrest has recline function. When you lie down and apply force to the backrest, the footrest will lift up while backrest is reclining down.





ASSEMBLY INSTRUCTIONS

Tel.(562)-781-3327

Please contact us:info@firstopintl.com

<https://www.dreamsidea.com>