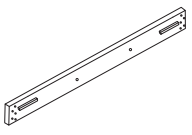
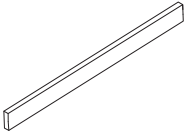
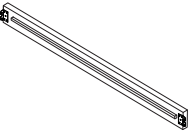
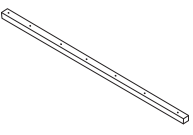


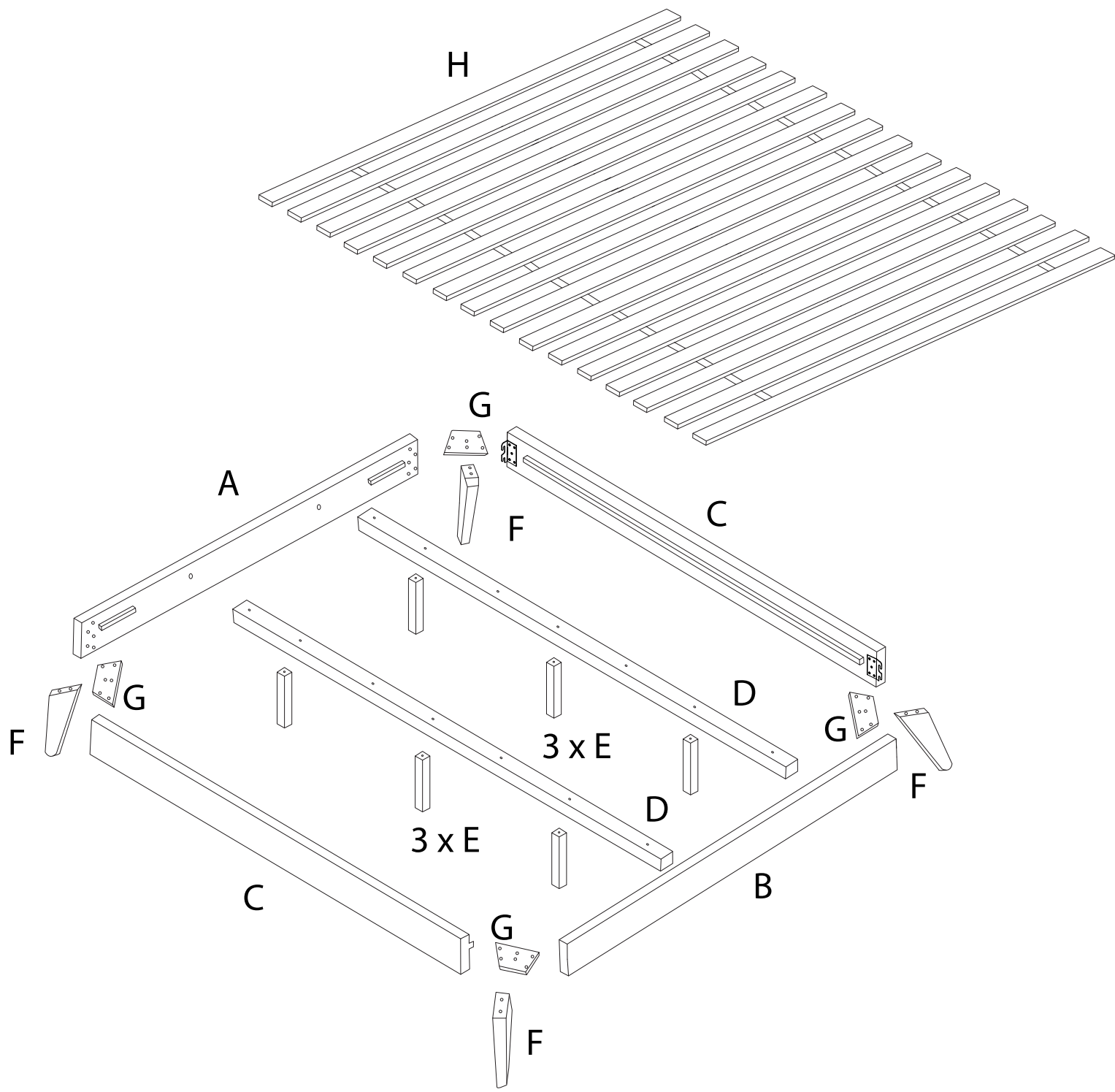
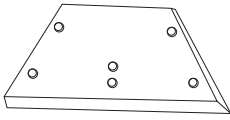
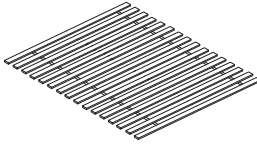
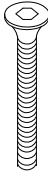
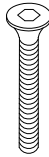
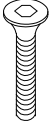
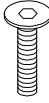

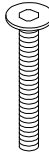
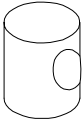
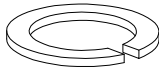
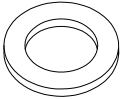
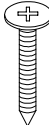
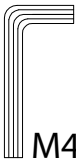

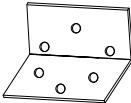
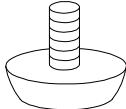


Diagram illustrating assembly steps and safety warnings:

- Step 1:** Shows an L-shaped metal bracket being inserted into a slot. A power drill is shown with a diagonal line through it, indicating it should not be used. A warning triangle with an exclamation mark is positioned to the right.
- Step 2:** Shows a rectangular block being placed on a surface. A diagonal line through the block indicates it should not be used. A warning triangle with an exclamation mark is positioned to the right.
- Time:** A clock icon is shown, indicating a time of 45 minutes.
- Personnel:** A person icon is shown, indicating that 2 people are required for assembly.

<p><b>A</b></p>  <p><b>x 1</b></p>	<p><b>B</b></p>  <p><b>x 1</b></p>	<p><b>C</b></p>  <p><b>x 2</b></p>	<p><b>D</b></p>  <p><b>x 2</b></p>	<p><b>E</b></p>  <p><b>x 6</b></p>	<p><b>F</b></p>  <p><b>x 4</b></p>
---	---	---	--	---	---



<p><b>G</b></p>  <p><b>x 4</b></p>	<p><b>H</b></p>  <p><b>x 1</b></p>	<p><b>1</b></p>  <p>M6 x 100</p> <p><b>x 6</b></p>	<p><b>2</b></p>  <p>M6 x 50</p> <p><b>x 16</b></p>
<p><b>3</b></p>  <p>M6 x 40</p> <p><b>x 22</b></p>	<p><b>4</b></p>  <p>M6 x 20</p> <p><b>x 8</b></p>	<p><b>5</b></p>  <p>M6 x 15</p> <p><b>x 8</b></p>	<p><b>6</b></p>  <p>M8 x 50</p> <p><b>x 8</b></p>
<p><b>7</b></p>  <p><b>x 6</b></p>	<p><b>8</b></p>  <p><b>x 24</b></p>	<p><b>9</b></p>  <p><b>x 24</b></p>	<p><b>10</b></p>  <p>M4 x 32</p> <p><b>x 12</b></p>
<p><b>11</b></p>  <p>M4</p> <p><b>x 1</b></p>	<p><b>12</b></p>  <p>M5</p> <p><b>x 1</b></p>	<p><b>13</b></p>  <p><b>x 4</b></p>	<p><b>14</b></p>  <p><b>x 6</b></p>

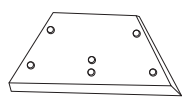
1 x 4

F



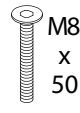
x 1

G



x 1

6

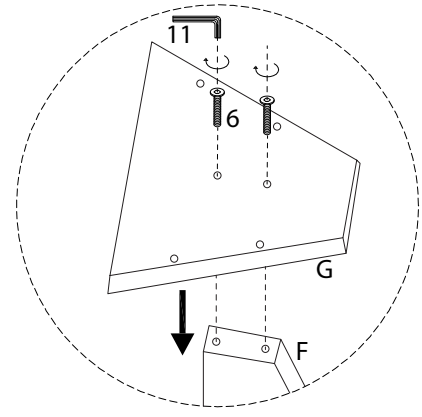
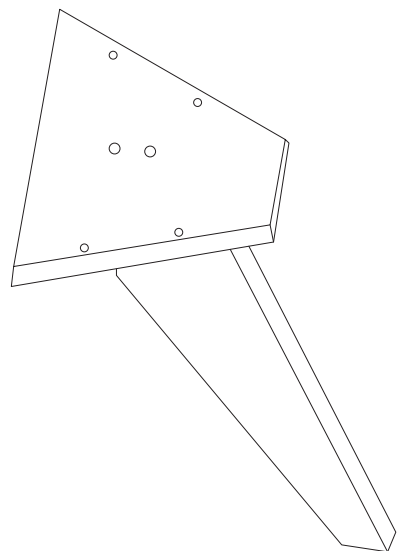


x 2

12

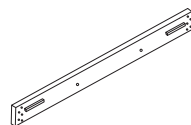


x 1



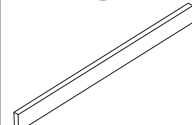
2

A



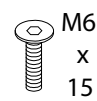
x 1

B



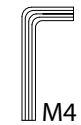
x 1

5



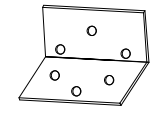
x 4

11

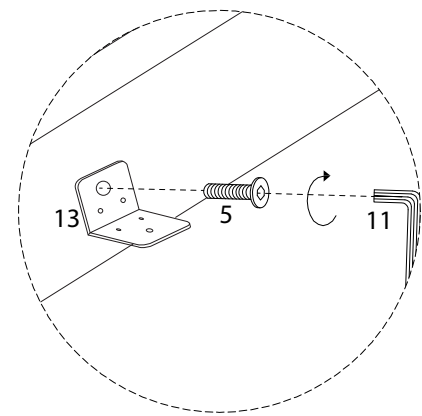
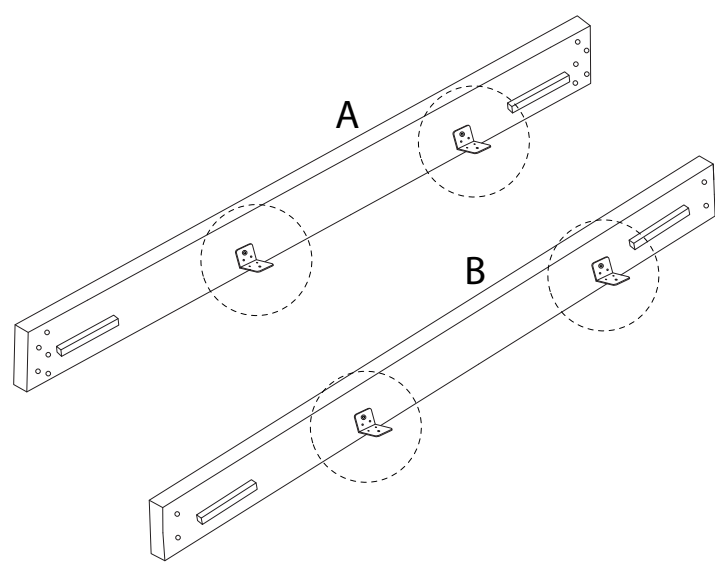


x 1

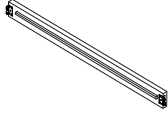
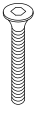

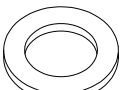
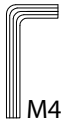
13

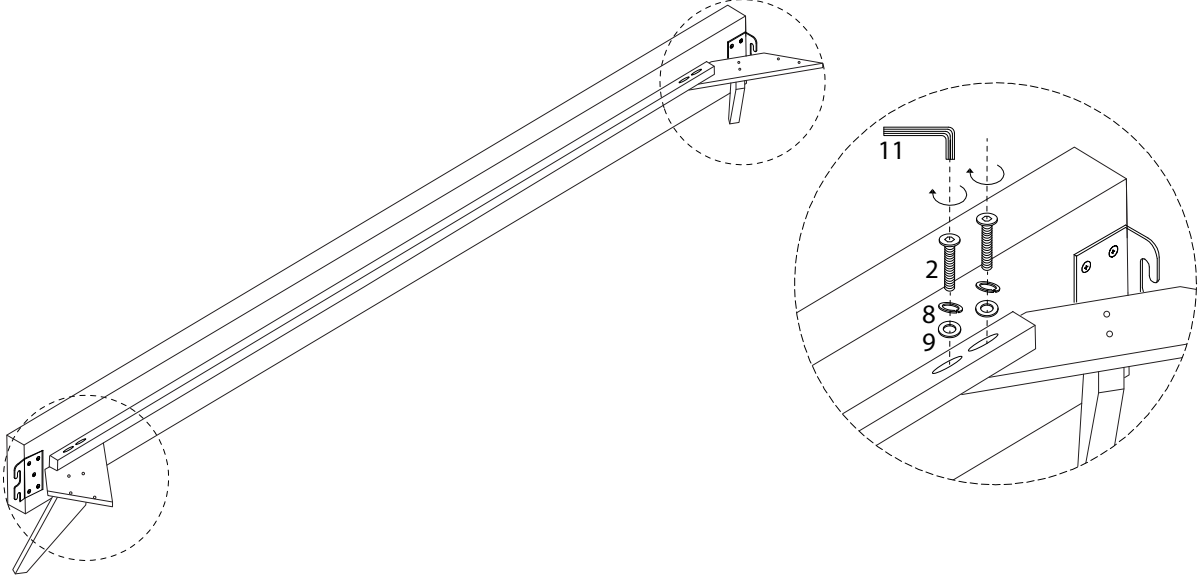


x 4


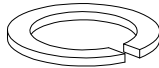

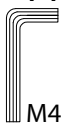


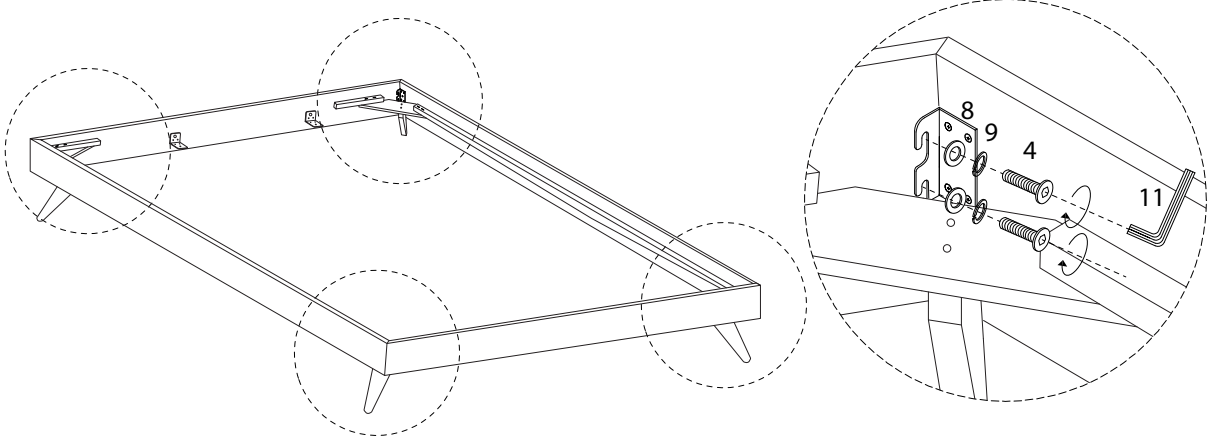
3 x 2

<p>C</p>  <p>x 1</p>	<p>2</p> <p>M6 x 50</p>  <p>x 4</p>	<p>8</p>  <p>x 4</p>	<p>9</p>  <p>x 4</p>	<p>11</p> <p>M4</p>  <p>x 1</p>
---	--	---	---	--



4

<p>4</p> <p>M6 x 20</p>  <p>x 8</p>	<p>8</p>  <p>x 8</p>	<p>9</p>  <p>x 8</p>	<p>11</p> <p>M4</p>  <p>x 1</p>
--	---	--	--



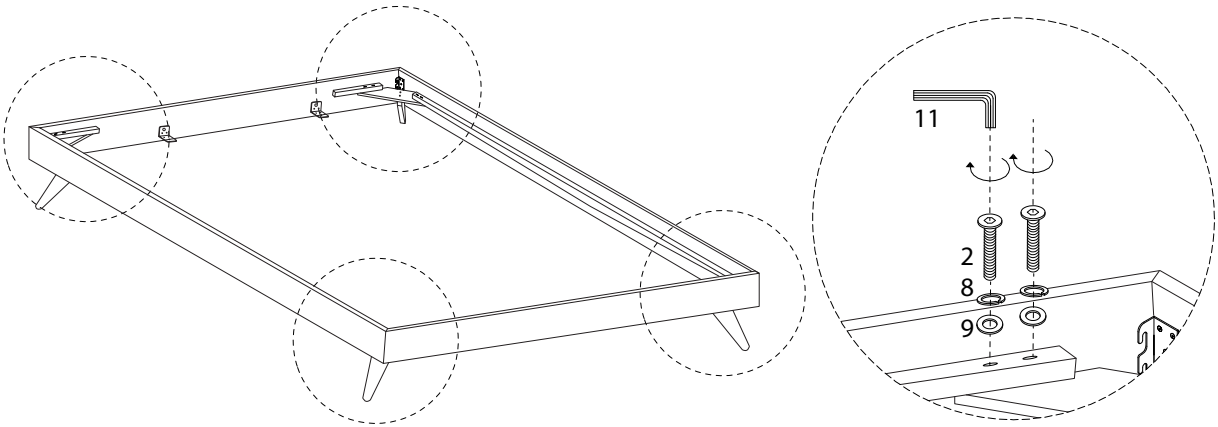
5

2  
M6  
x  
50  
x 8

8  
x 8

9  
x 8

11  
M4  
x 1

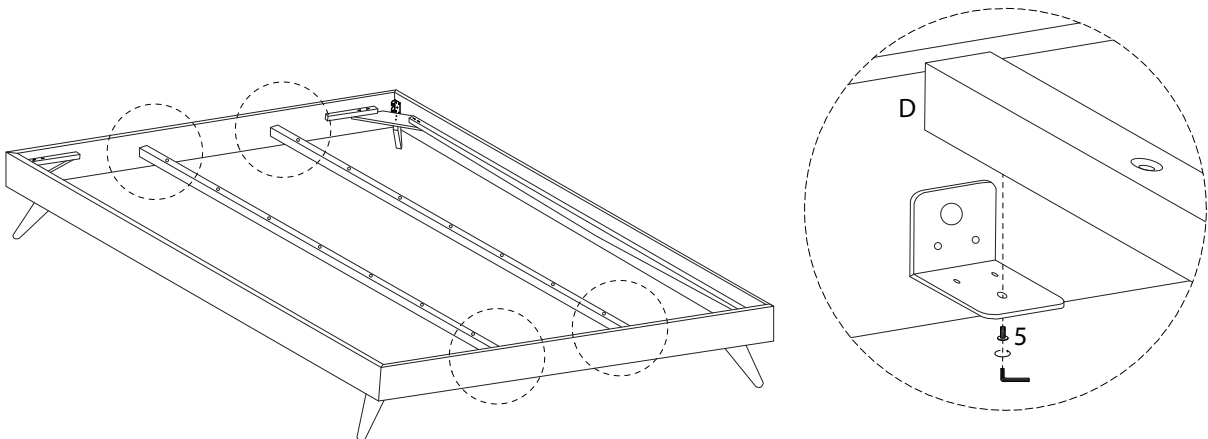


6

D  
x 2

5  
M6  
x  
15  
x 4

11  
M4  
x 1



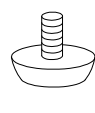
7 x 6

E

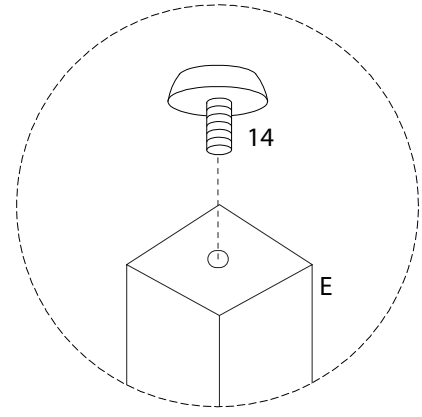
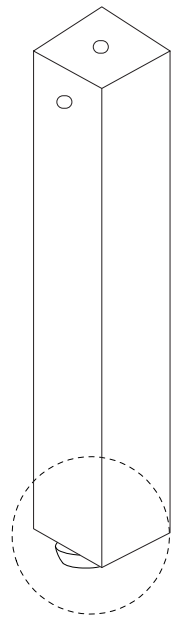


x 1

14

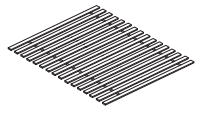


x 1



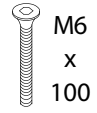
8

H



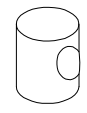
x 1

1

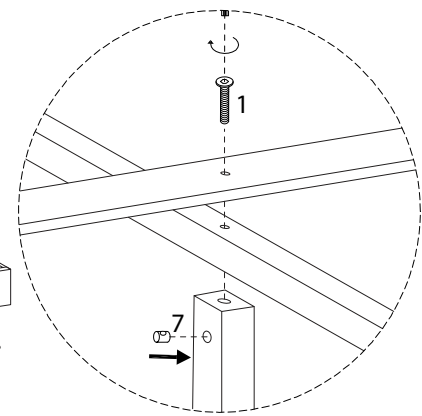
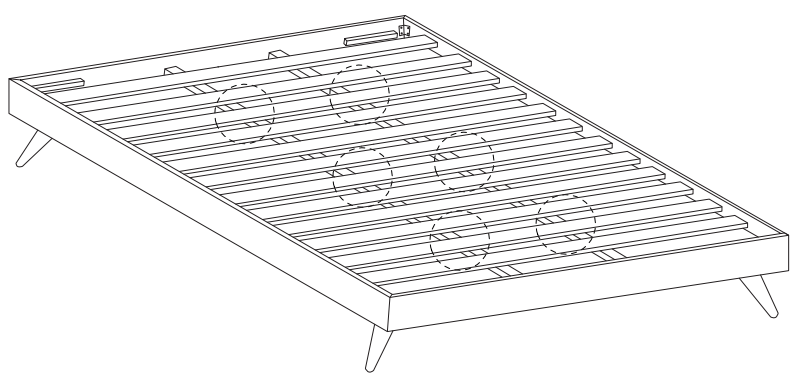


x 6

7



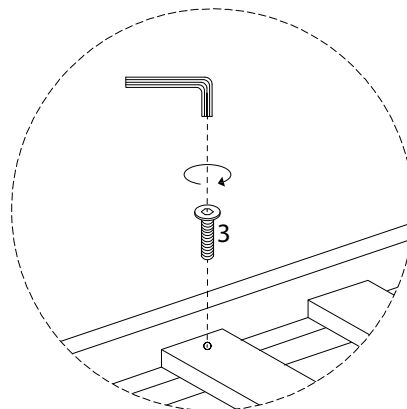
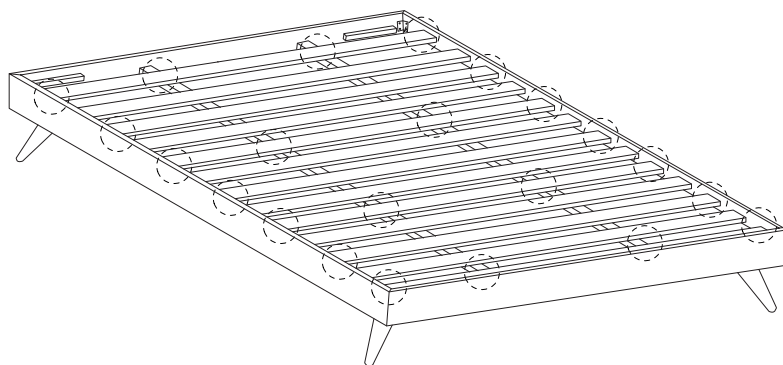
x 6



9

3

M6  
x  
40  
x 22



10

10

M4  
x  
32  
x 12

