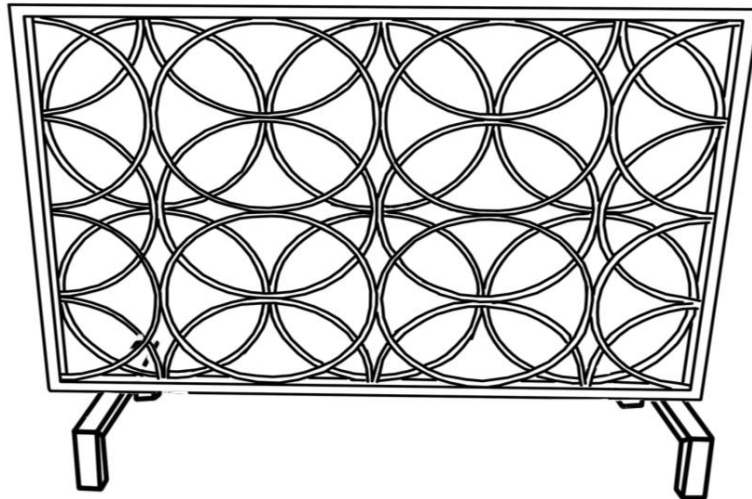


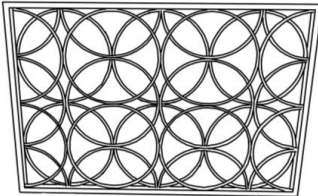
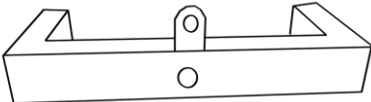
# Assembly Instructions

**Caution : You must read this before you proceed**


## Fire Screen





### Parts List

Label	Picture	Description	QTY
A		Screen	1
B		Foot	2

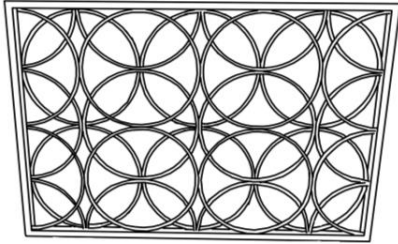

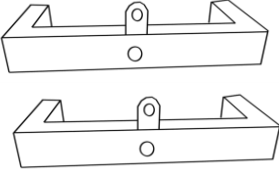
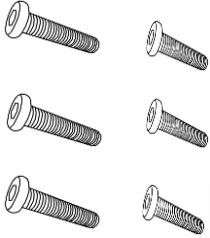
### Hardware






Label	Picture	Description	QTY
①		Bolt(M6*20mm)	3

②		Bolt(M6*30mm)	3
③		Allen Key	1

## Assembly Preparation

**Before Beginning Assembly:**

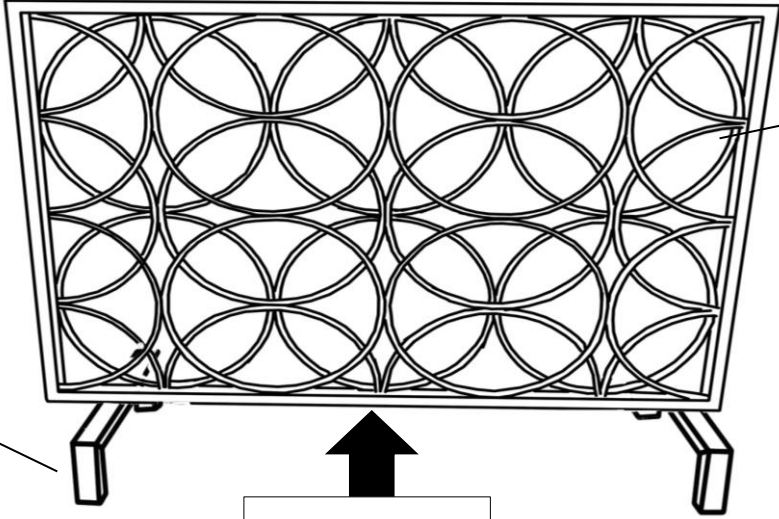





-  • Read instructions, cover to cover-
-  • Have 2 adults on hand for assembly-
-  • Do not assemble on flooring or carpet-
-  • Assemble on a clean non-marring surface (packing foam)-
-  • Save all packaging until finished-


## Assembly Steps

**Overview**

Foot (B)



Screen (A)



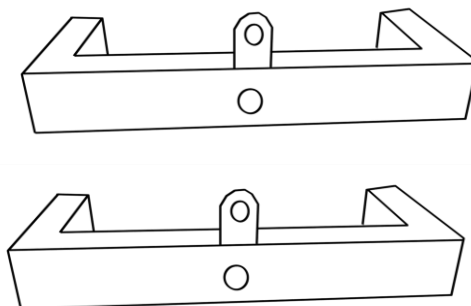
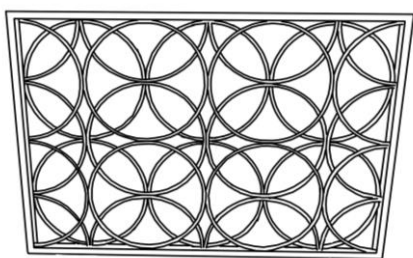
FRONT FACING

This Fire Screen has multiple parts and may require up to some 30 minutes to assemble.

To give you an overview of the Fire Screen parts, the above picture is to help you put the various parts into perspective.

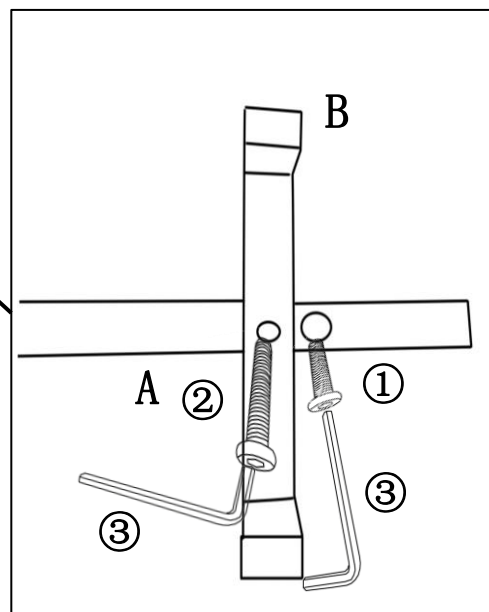
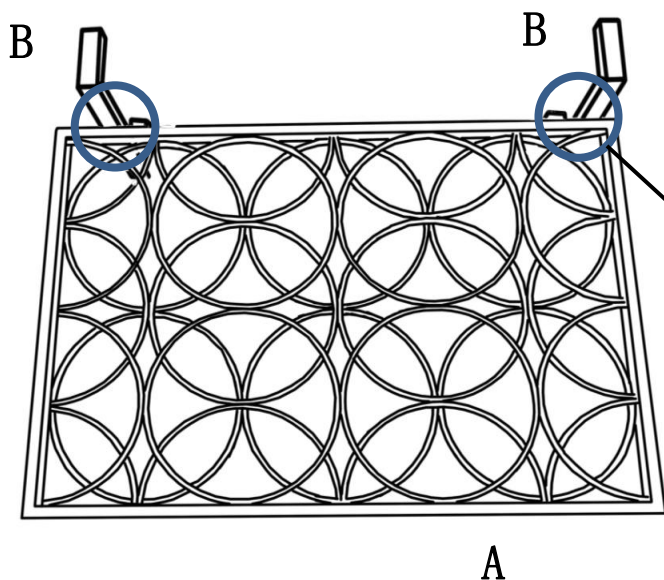
Please read through the instructions herebelow to familiarise the parts and steps before assembly.

### Step 1



Unpack and place all parts on a clean soft surface.  
Put the Screen(A) and Foot(B) upside down as show.

### Step 2

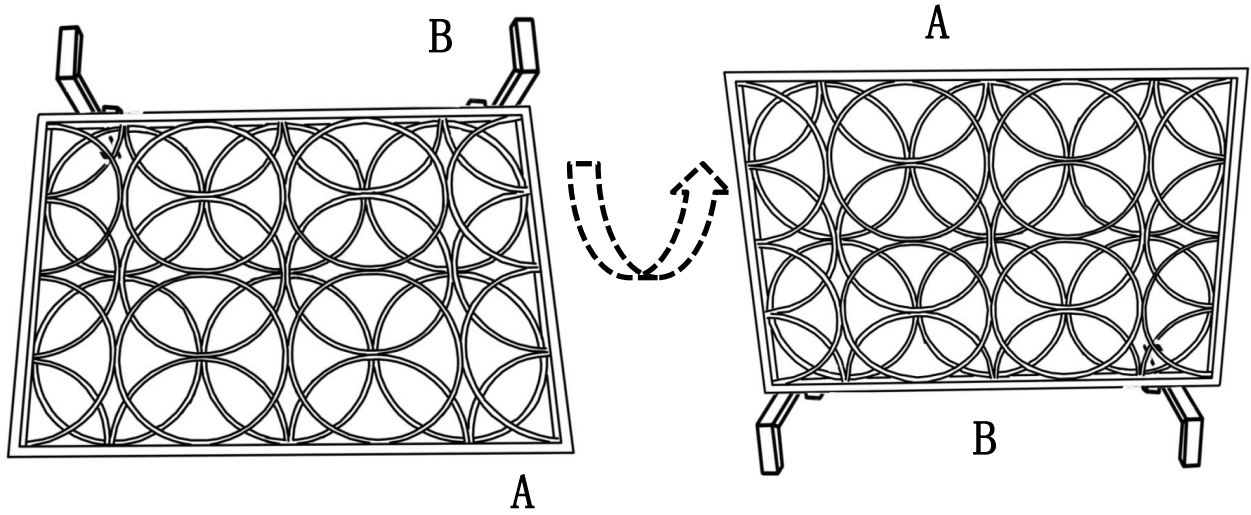


**Caution: To finish this step with your partner.**

Attach the Foot(B) to the Screen(A) using Bolt(①) and Bolt(②) with Allen Key(③).











Tighten all Bolts at all joints.

Step 3



Turn the Fire Screen right side up.  
Your Fire Screen is ready for use.

## Care & Maintenance

-  Do not put hot items directly on furniture surface
  -  Do not clean furniture with harsh cleansers or polish.
  -  Do not place furniture under direct sunlight.
  -  Do not place furniture near heating or cooling vents.
  -  Do not write on furniture without a padded barrier to protect the surface.
  -  Do not place furniture outside . For indoor use only .
  -  Not for commercial use. For residential use only .
  -  Stains may be removed with mild soap solution and damp cloth.
  -  Children should not climb or jump on the furniture.
- 
-  Dust and pick-up spills using a clean, non-colored, lint-free cloth .