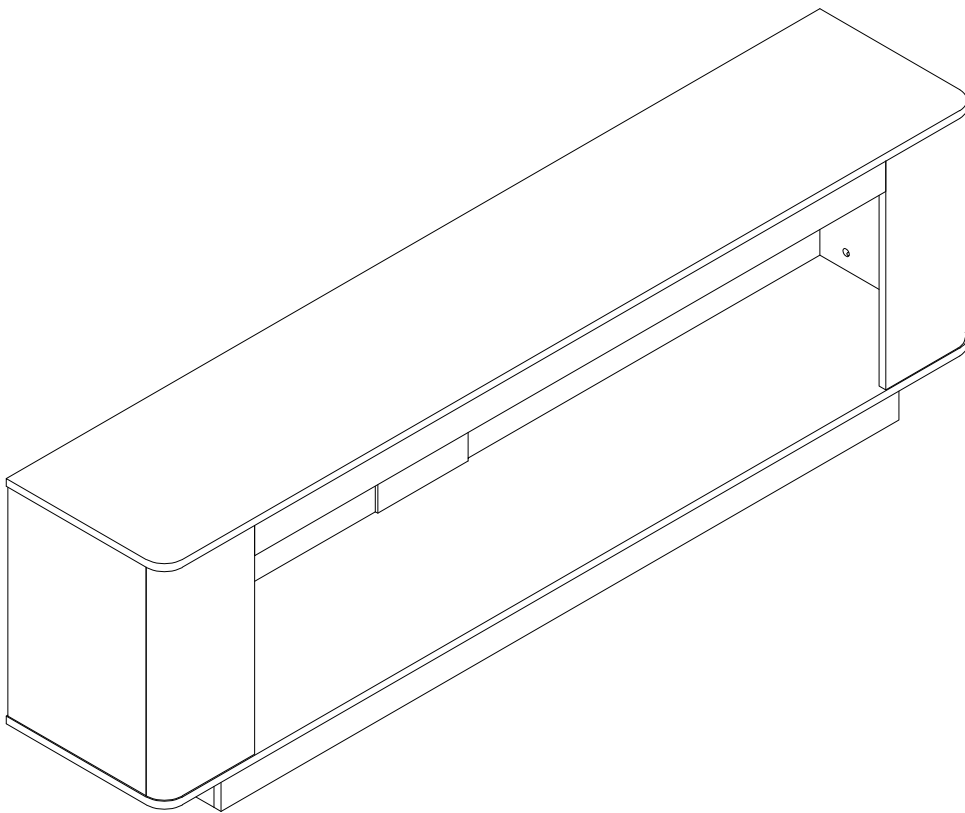


Assembly Instructions



TV Stand

Model No.
HOGA-LD0100

Contact Us

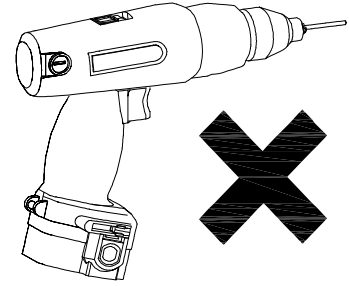
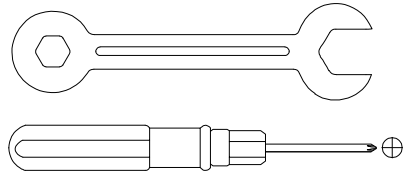
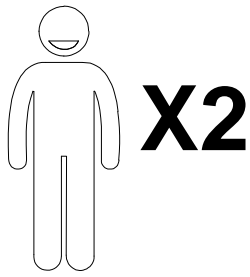
We're here to help you.



Your satisfaction is our top priority. If you encounter any issues with this product, such as missing or damaged parts, we're here to help. Please retain the original packaging and take photos of the packaging and the product, then contact us as soon as possible.

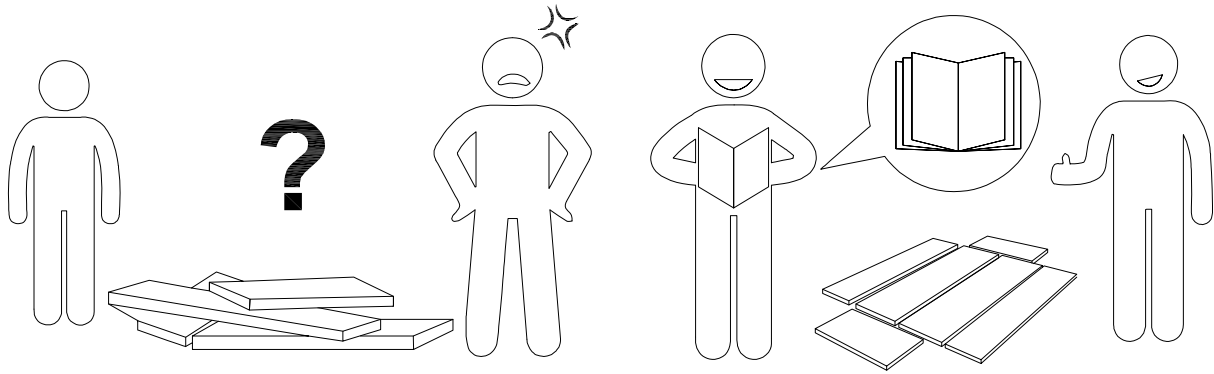
Warm Tips

1. Carefully read these instructions and keep them for future reference.
2. Check the parts list and confirm everything's there before starting assembly.
3. When assembling, put all parts on a soft, smooth surface like a carpet to avoid scratches.
4. Don't fully tighten screws until all parts are confirmed in place to avoid misalignment.



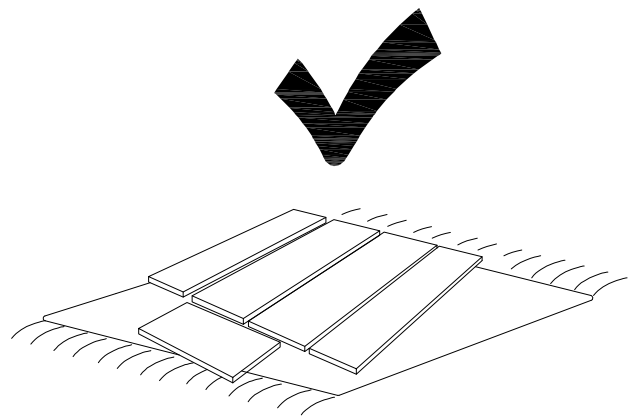
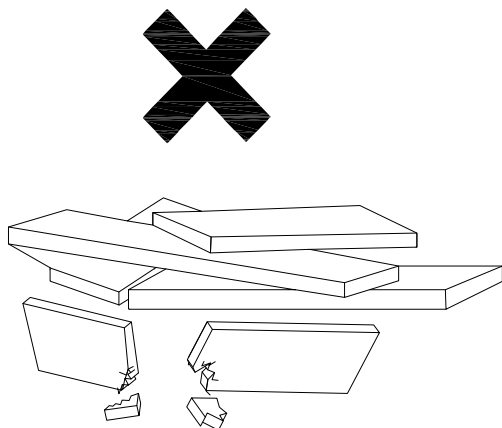
We recommend using hand tools for assembly.

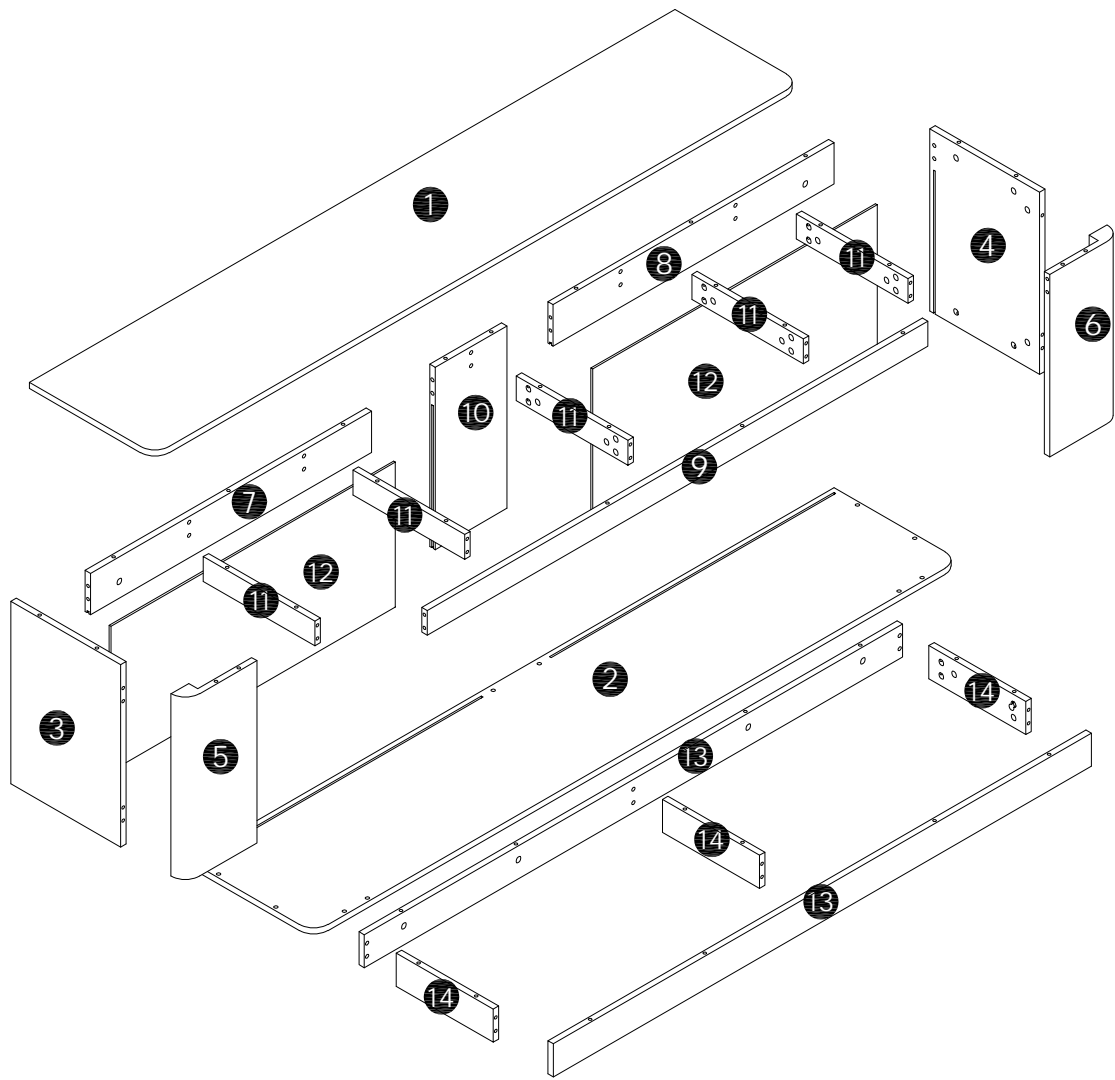
If an electric screwdriver is used, reduce power and torque to avoid damage to the product.



AVOID SCRATCHES

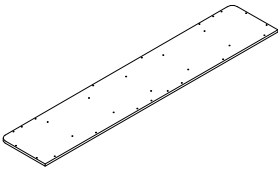
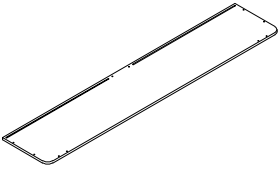
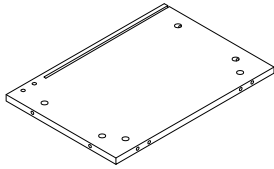
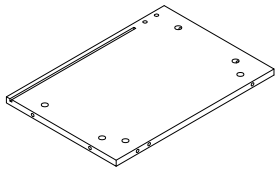
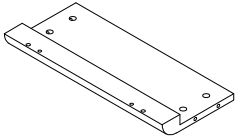
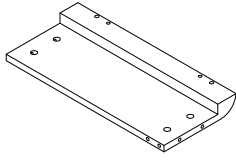
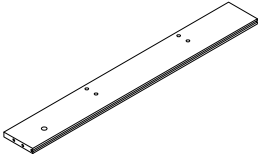
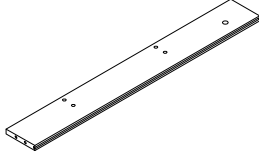
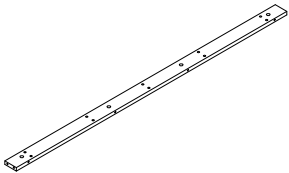
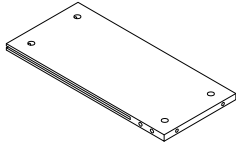
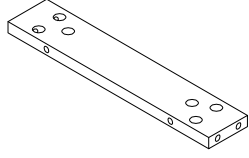
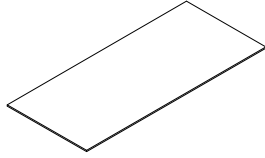
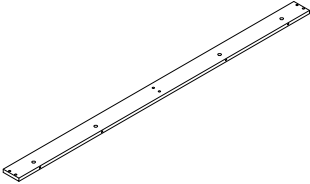
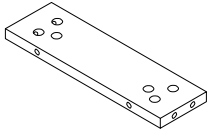
In order to avoid scratching, this furniture should be assembled on a soft surface, such as a rug.



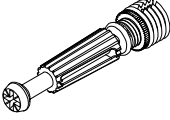
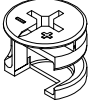


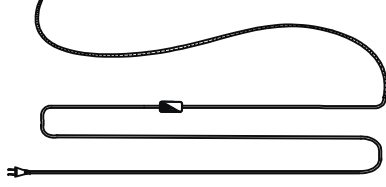


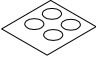

Make sure all parts are included. Most board parts are labeled or stamped on the raw edge. Contact us for a free replacement if you encounter any damaged or missing parts.

Parts List

<p>①</p>  <p>1 pc</p>	<p>②</p>  <p>1 pc</p>	<p>③</p>  <p>1 pc</p>	<p>④</p>  <p>1 pc</p>
<p>⑤</p>  <p>1 pc</p>	<p>⑥</p>  <p>1 pc</p>	<p>⑦</p>  <p>1 pc</p>	<p>⑧</p>  <p>1 pc</p>
<p>⑨</p>  <p>1 pc</p>	<p>⑩</p>  <p>1 pc</p>	<p>⑪</p>  <p>5 pcs</p>	<p>⑫</p>  <p>2 pcs</p>
<p>⑬</p>  <p>2 pcs</p>	<p>⑭</p>  <p>3 pcs</p>		

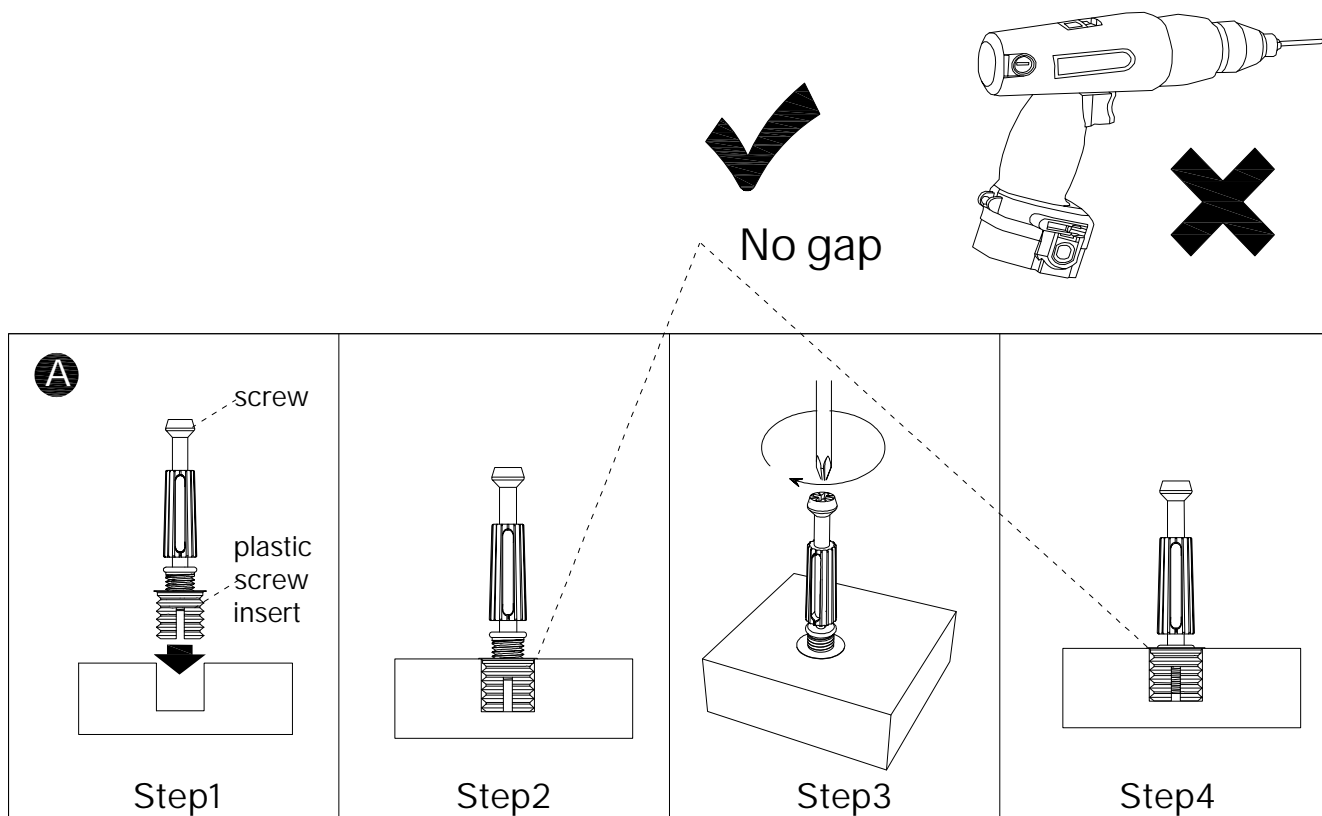
Hardware List

A	B	C	D	E
 <p>Ø6x40mm</p>	 <p>Ø15x12mm</p>	 <p>Ø8x30mm</p>	 <p>10 pcs</p>	 <p>1 pc</p>
98 pcs	98 pcs	8 pcs	10 pcs	1 pc

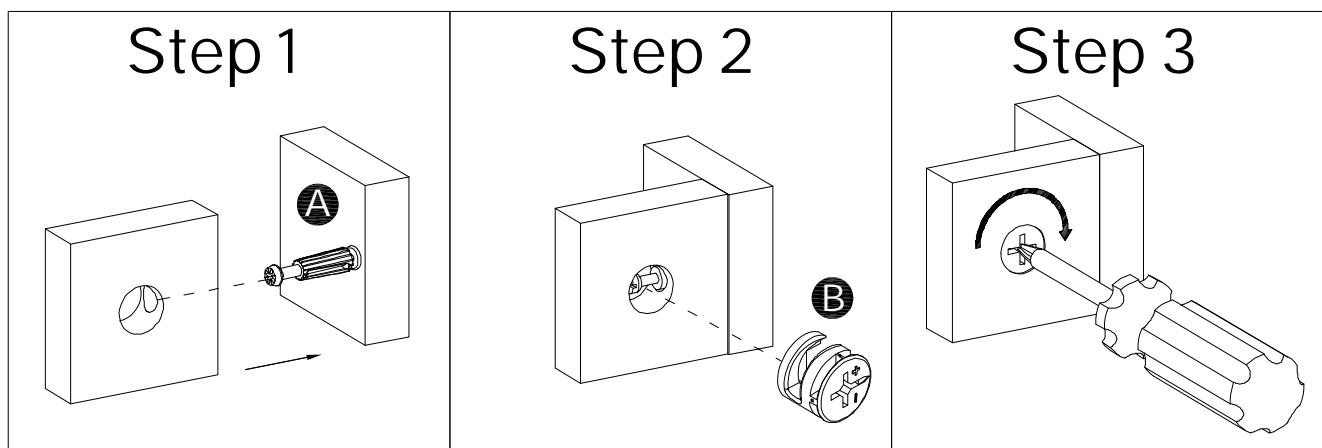
F	G				
 <p>6 pcs</p>	 <p>1 pc</p>				
6 pcs	1 pc				

Installation of Cams and Pins

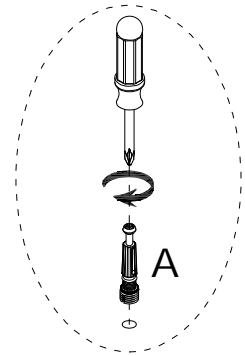
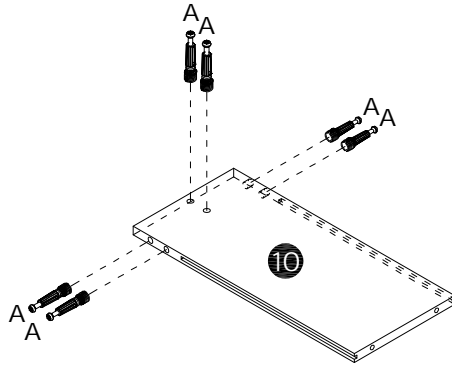
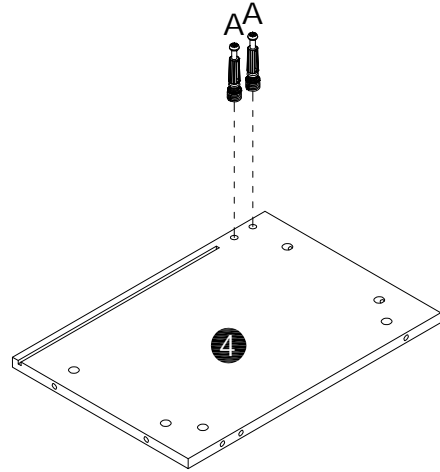
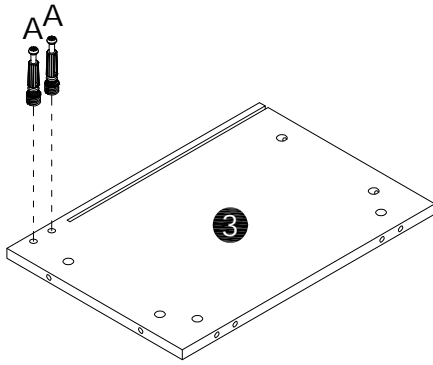
Step 1-2: Align the plastic part with the mounting hole and press it in. If you can't press it in, loosen the screw counter clockwise or completely remove the screw from the plastic part and try again.
 Step 3-4: After pressing the plastic part into place, use a screwdriver to tighten the screw clockwise.




Screw the pin into the hole. Set the cams correctly by aligning the head of the cams with the lock pins. Lock the cam by turning the cam head with a screwdriver until it is tightened. Please do not use an electric screwdriver to assemble the unit.

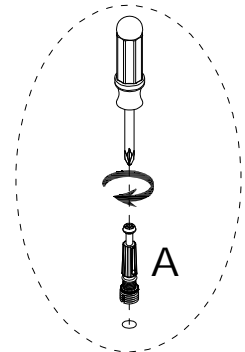
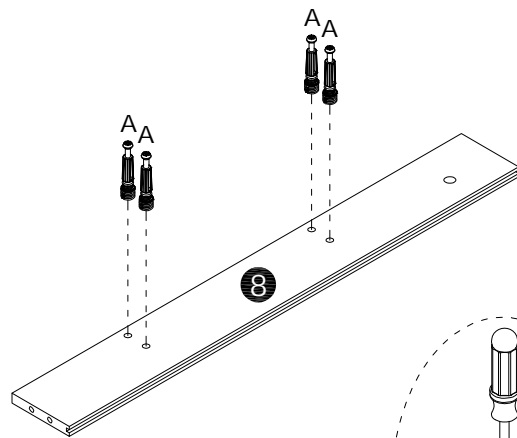
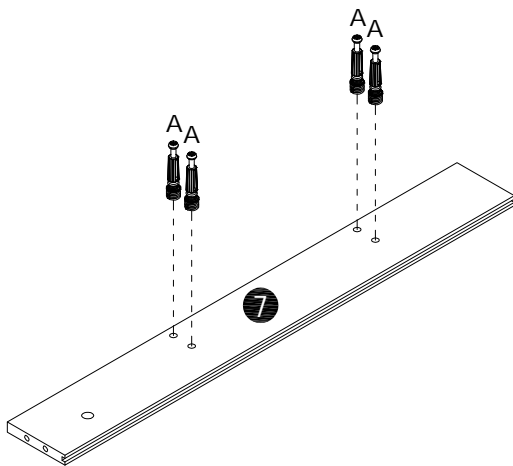



1




A

Ø6x40mm
10 pcs

2

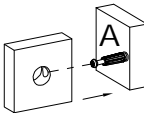


A

Ø6x40mm
8 pcs

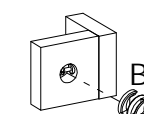
3

B

Ø15x12mm
4 pcs

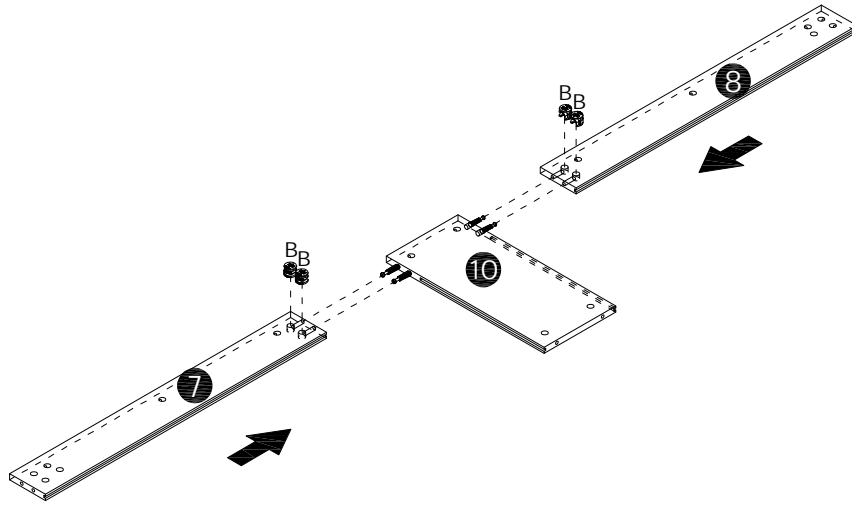
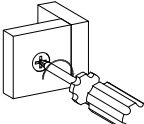
Step 1



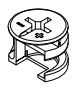
Step 2



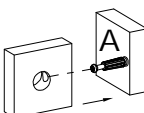
Step 3



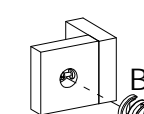
4

B

Ø15x12mm
10 pcs

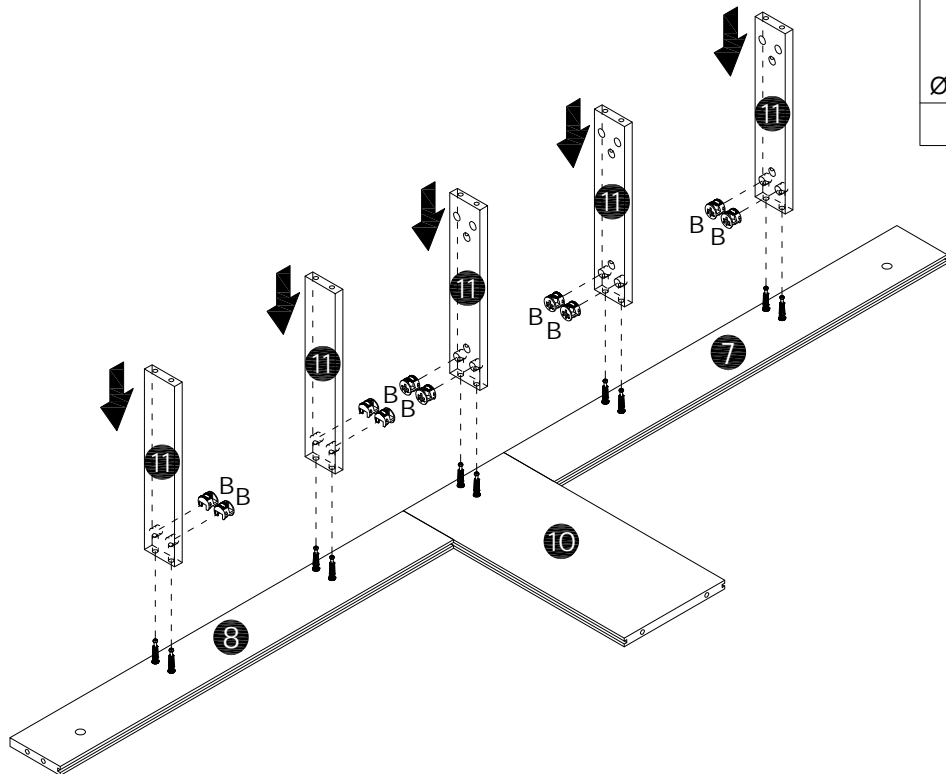
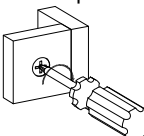
Step 1



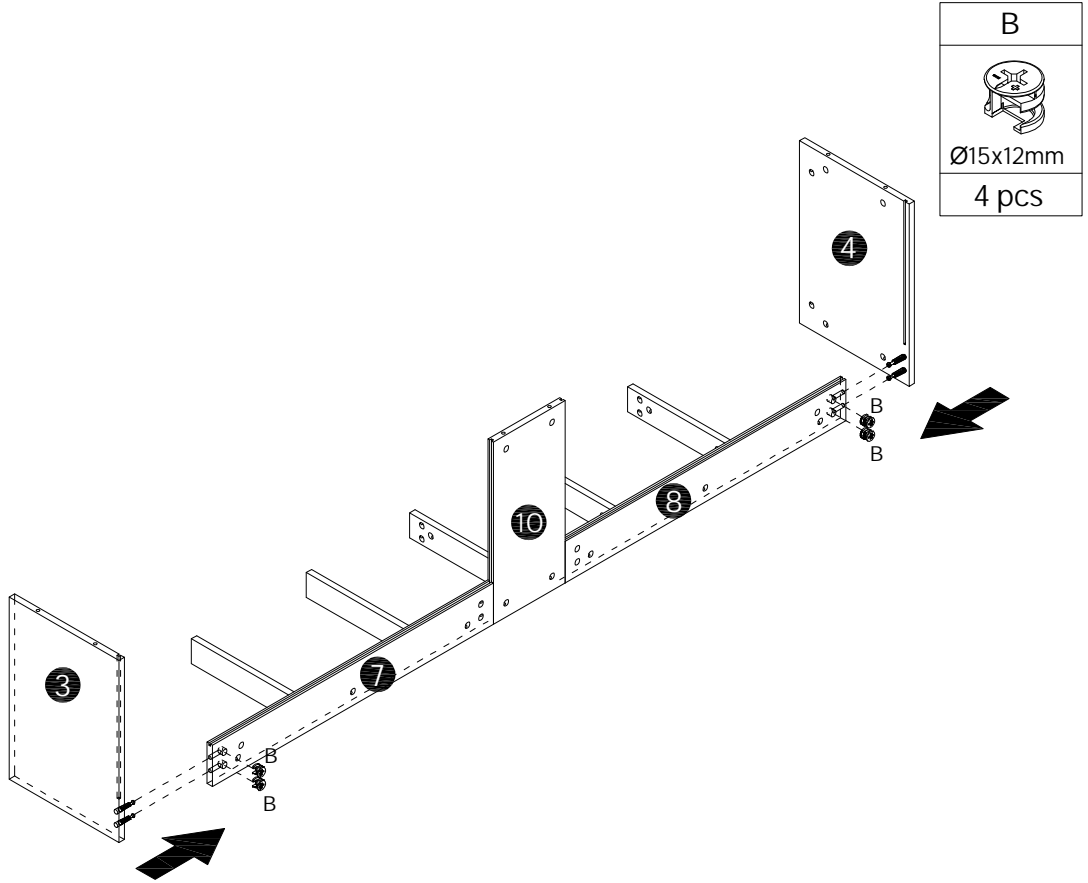
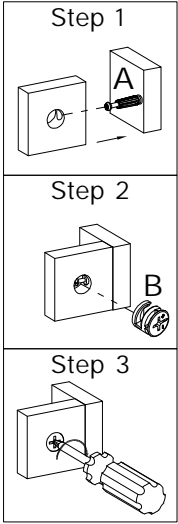
Step 2



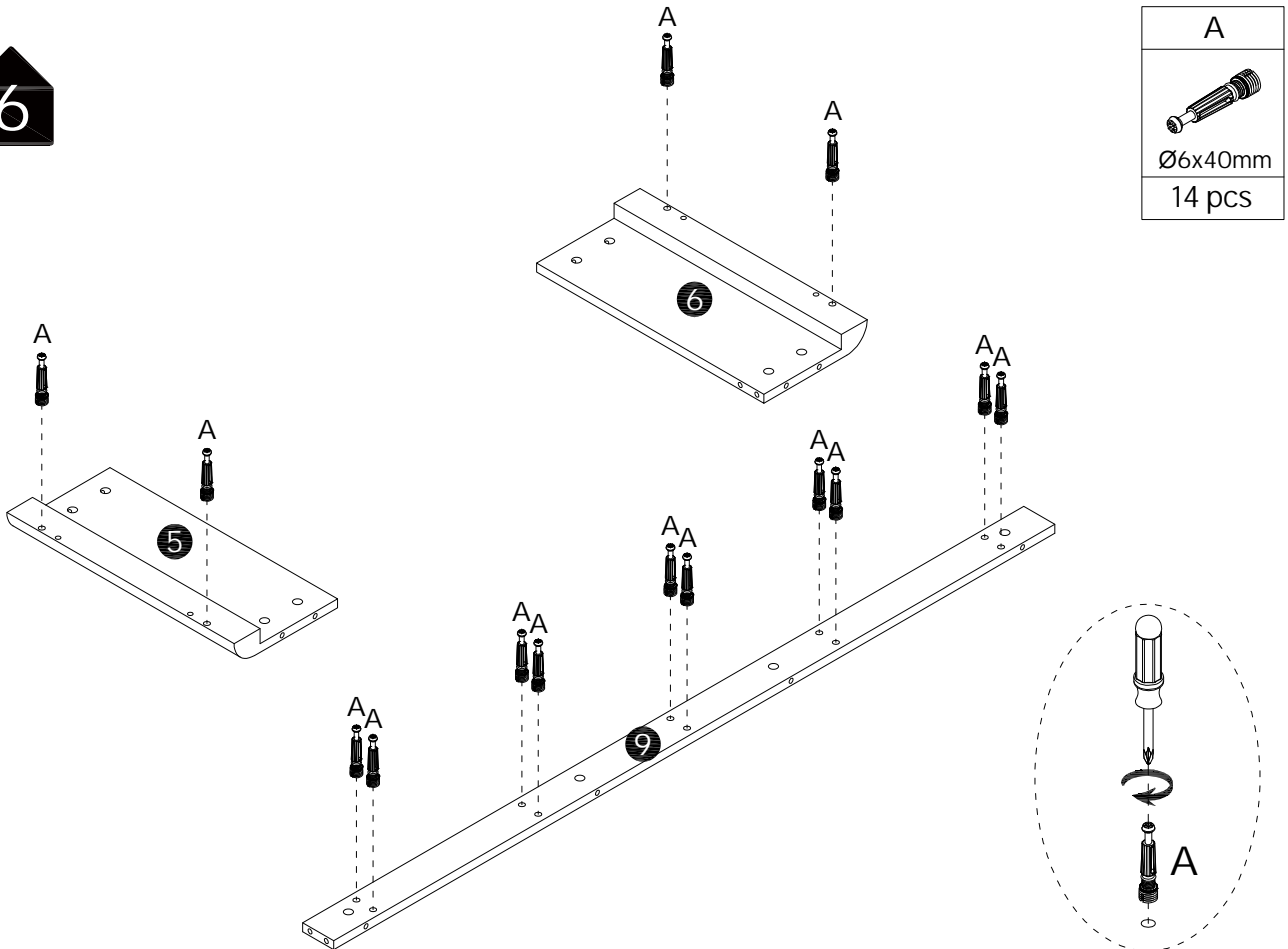
Step 3



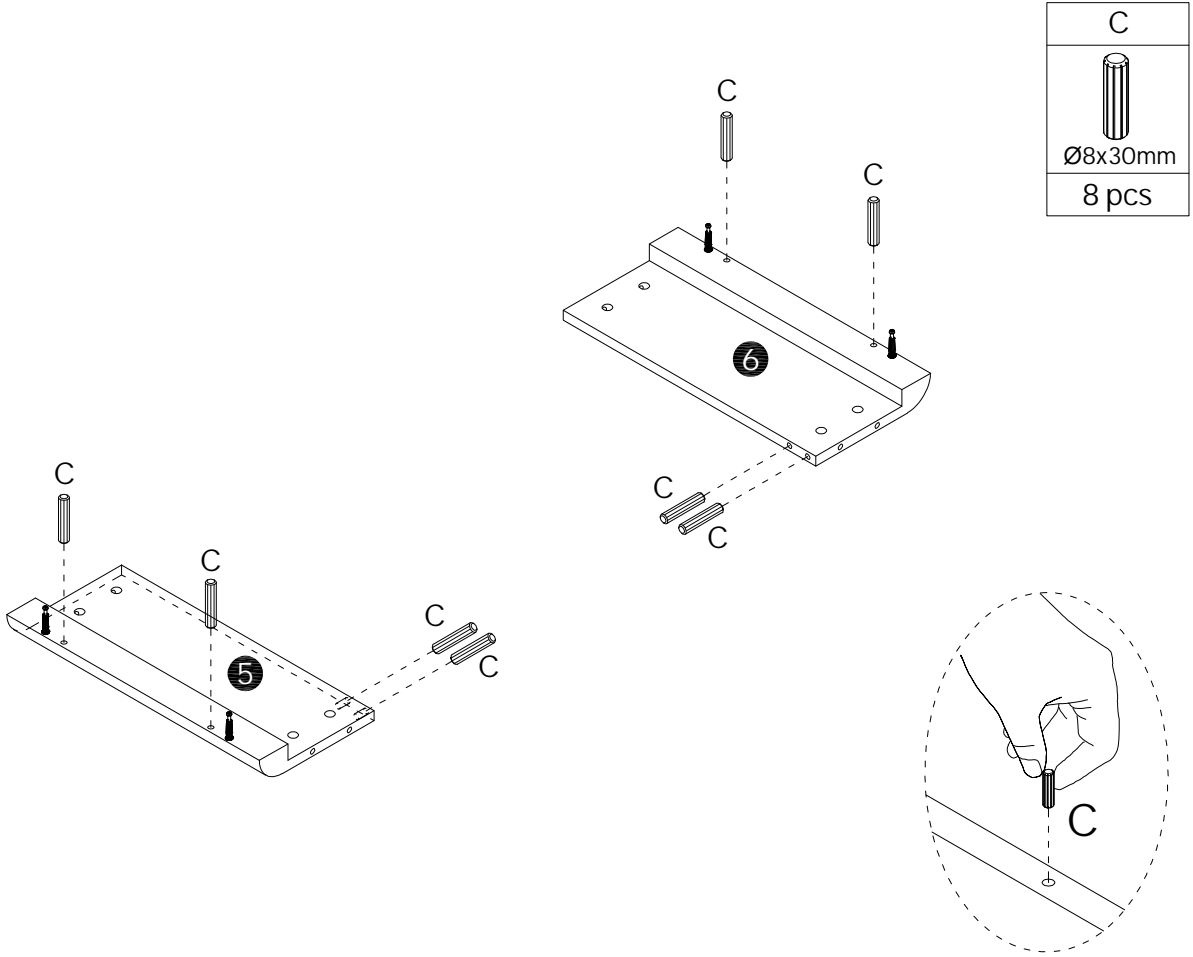
5



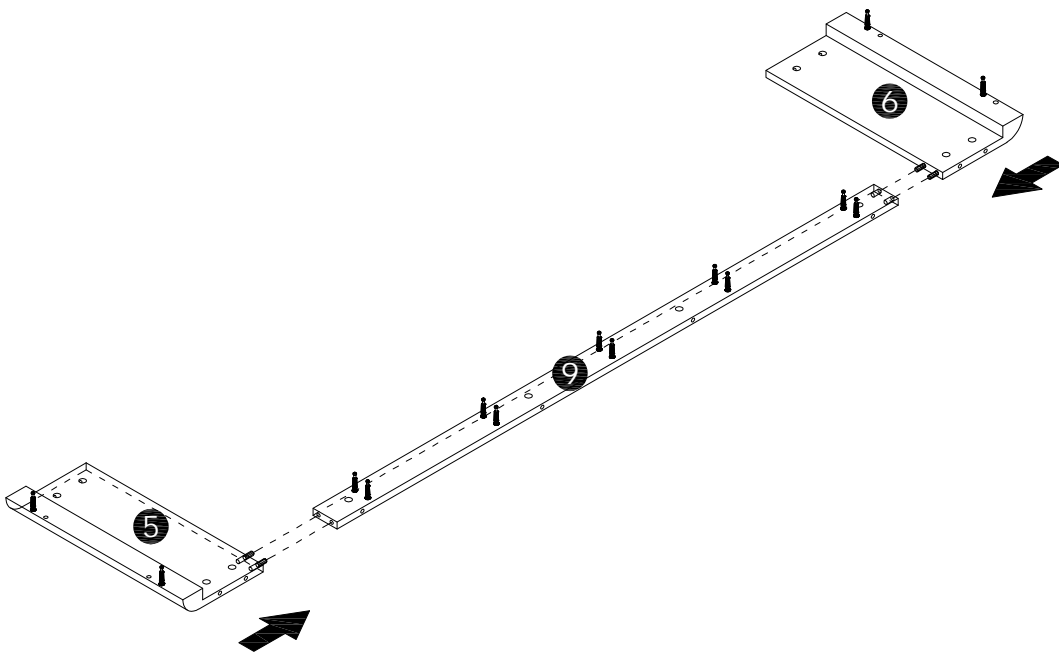
6




7



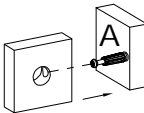
8



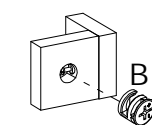
9

B

Ø15x12mm
14 pcs

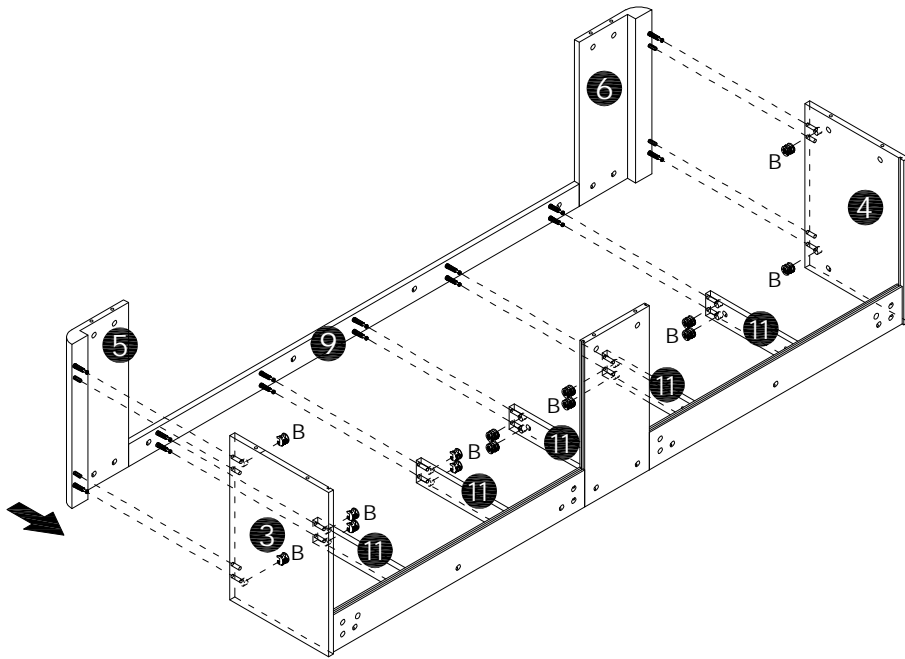
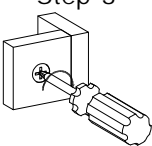
Step 1




Step 2

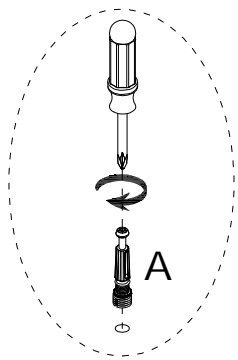
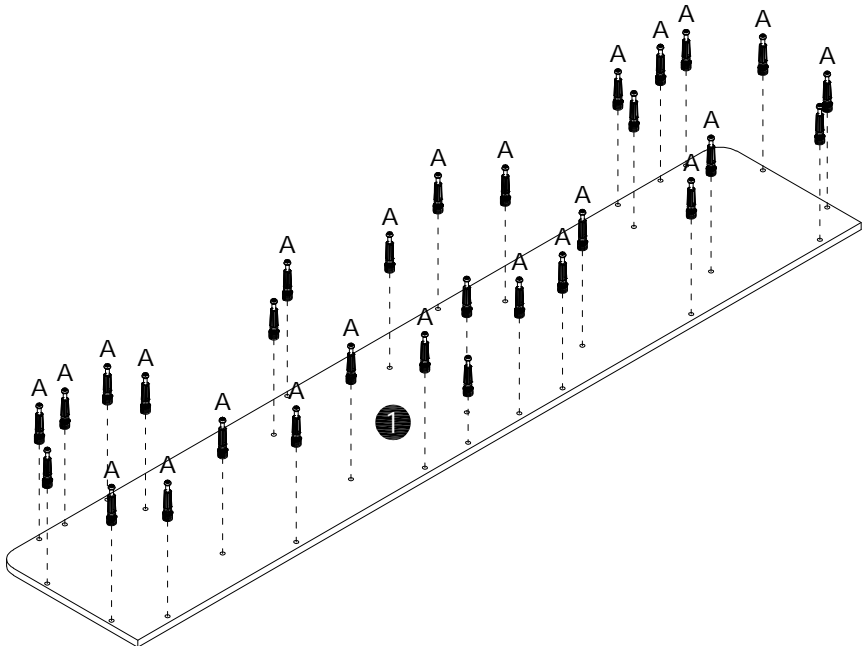


Step 3

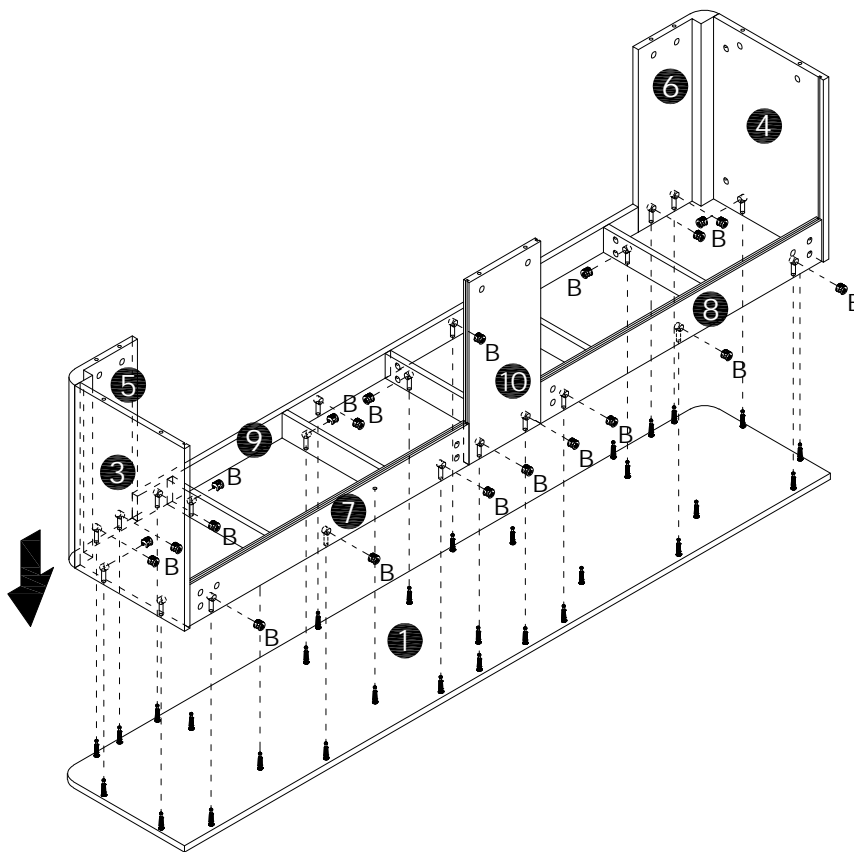
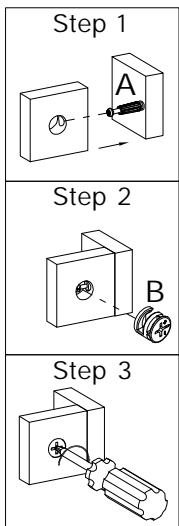


10

A

Ø6x40mm
30 pcs

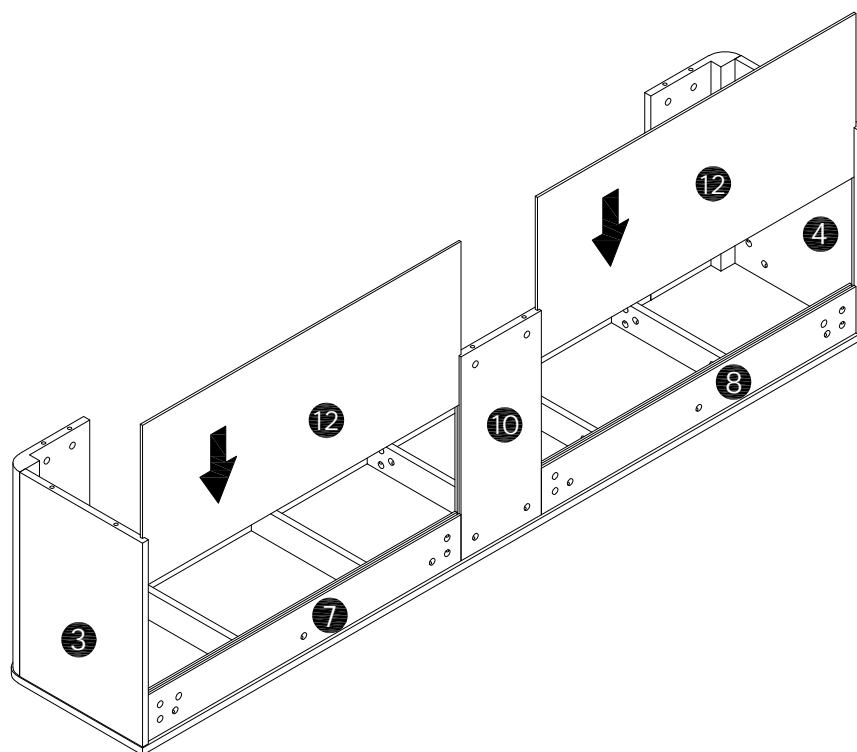


11

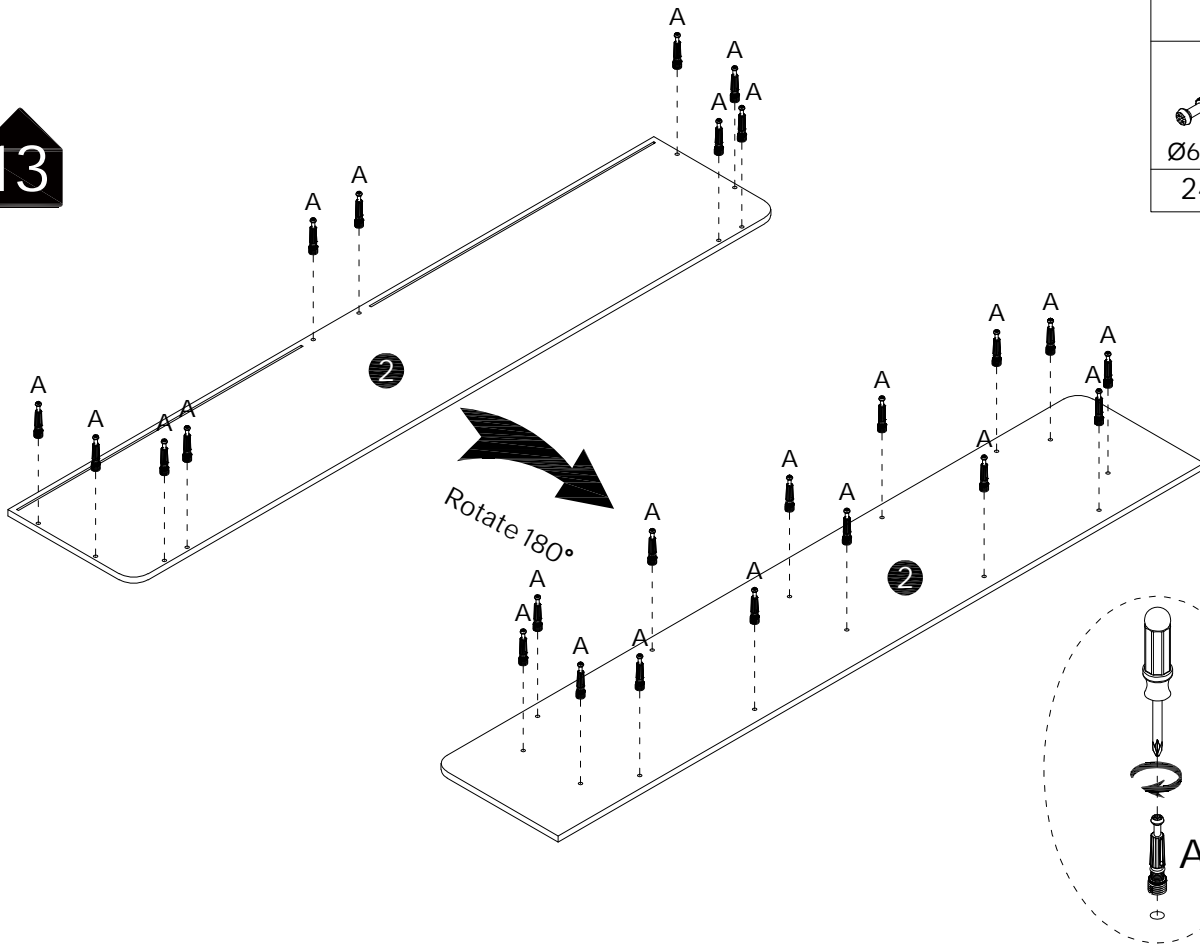


B
Ø15x12mm
30 pcs

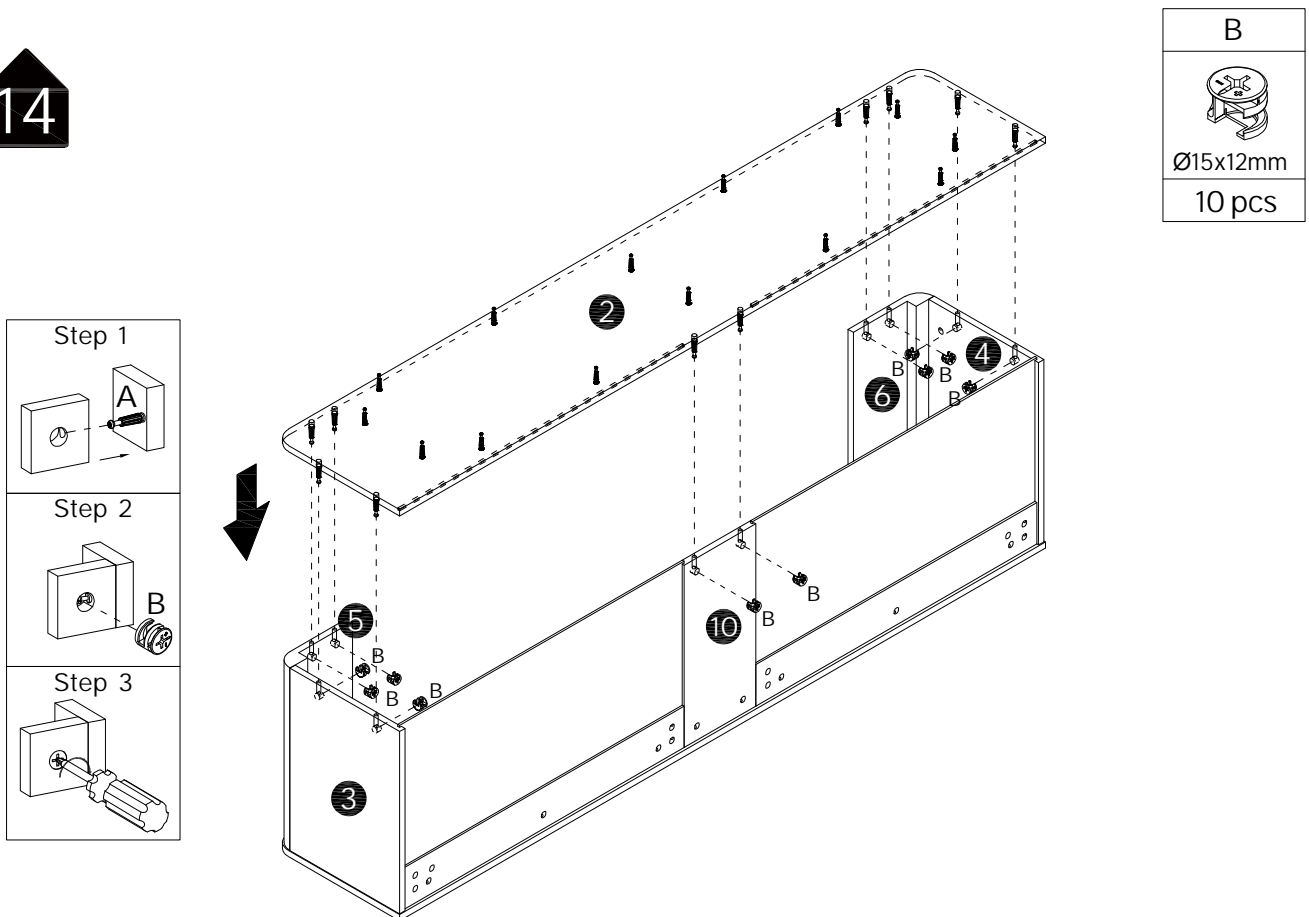
12



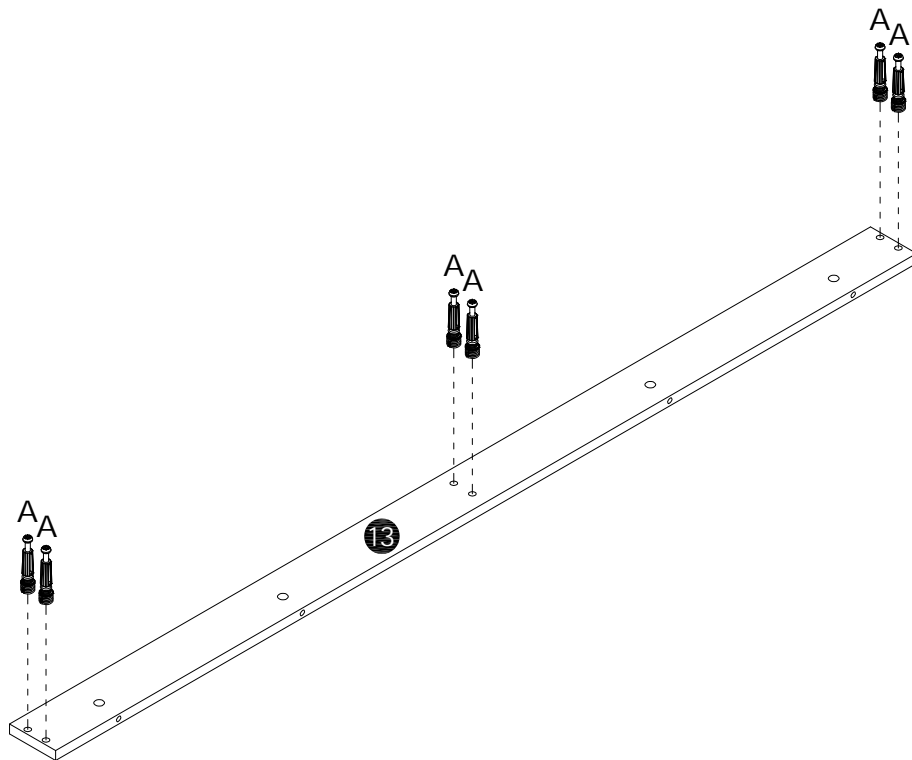
13




14

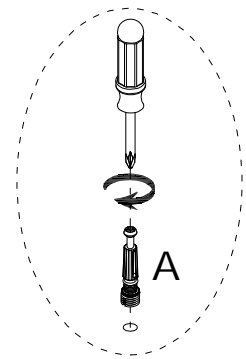


15

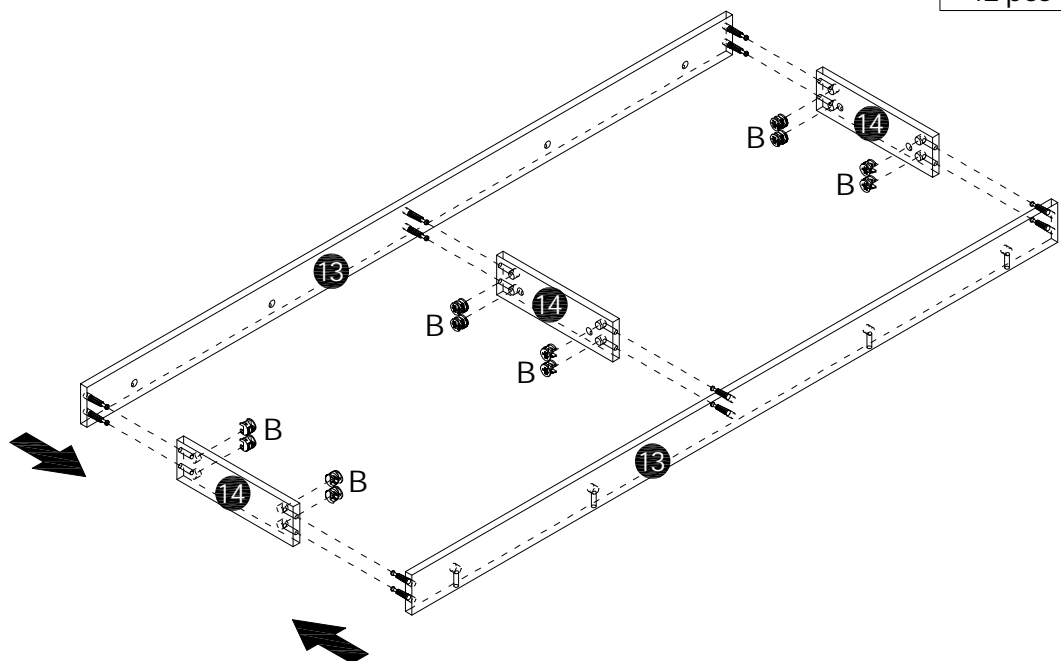
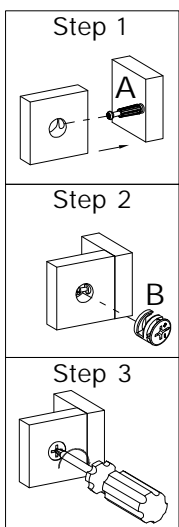



A

Ø6x40mm
12 pcs

X2

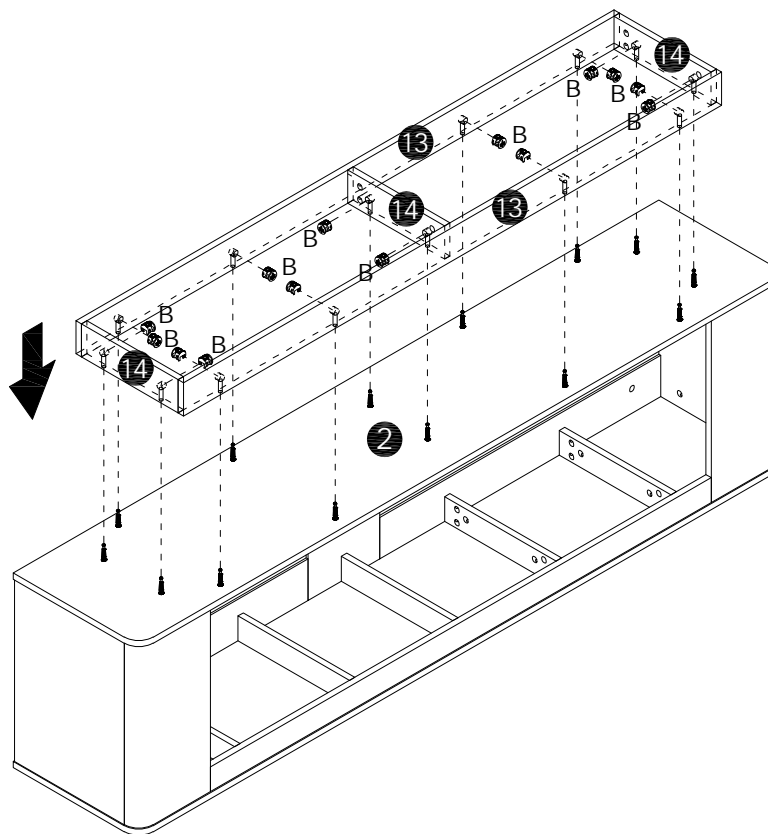
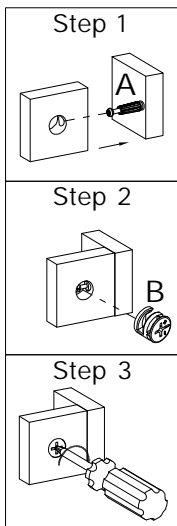



16



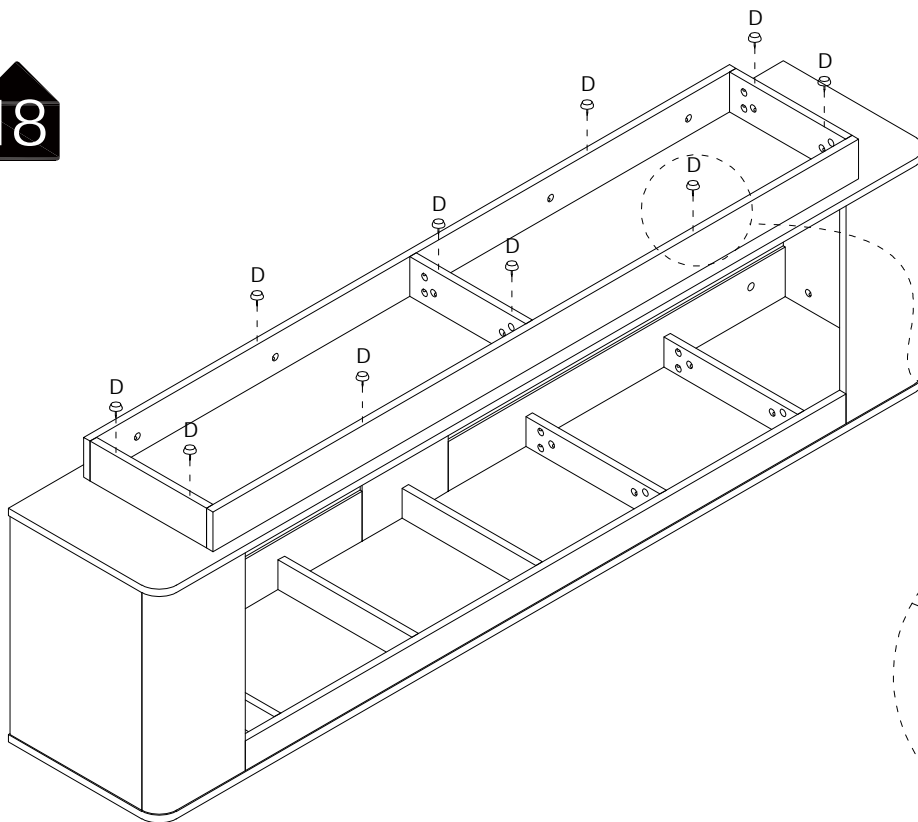
B

Ø15x12mm
12 pcs


17

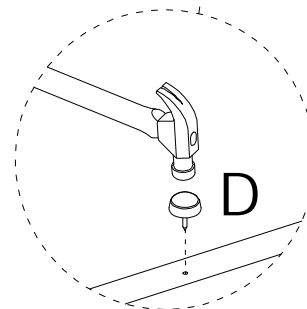


B

Ø15x12mm
14 pcs

18

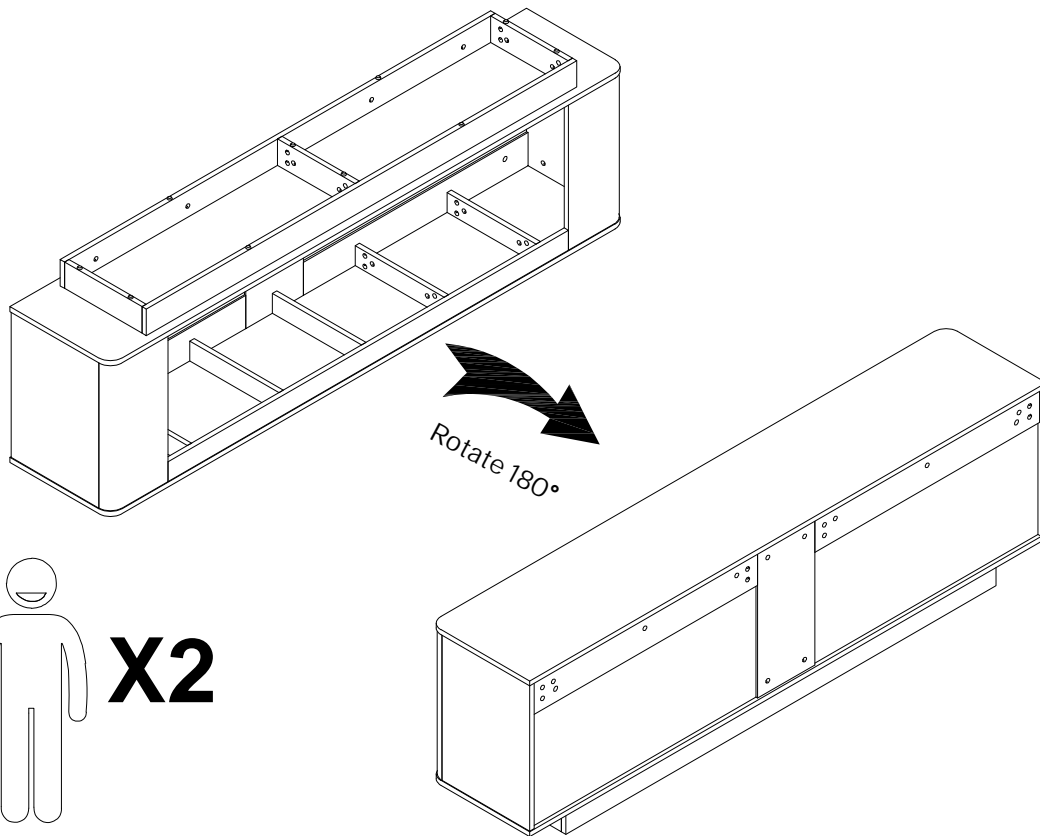


D

10 pcs

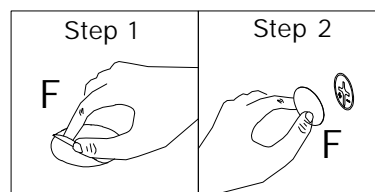
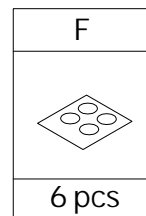
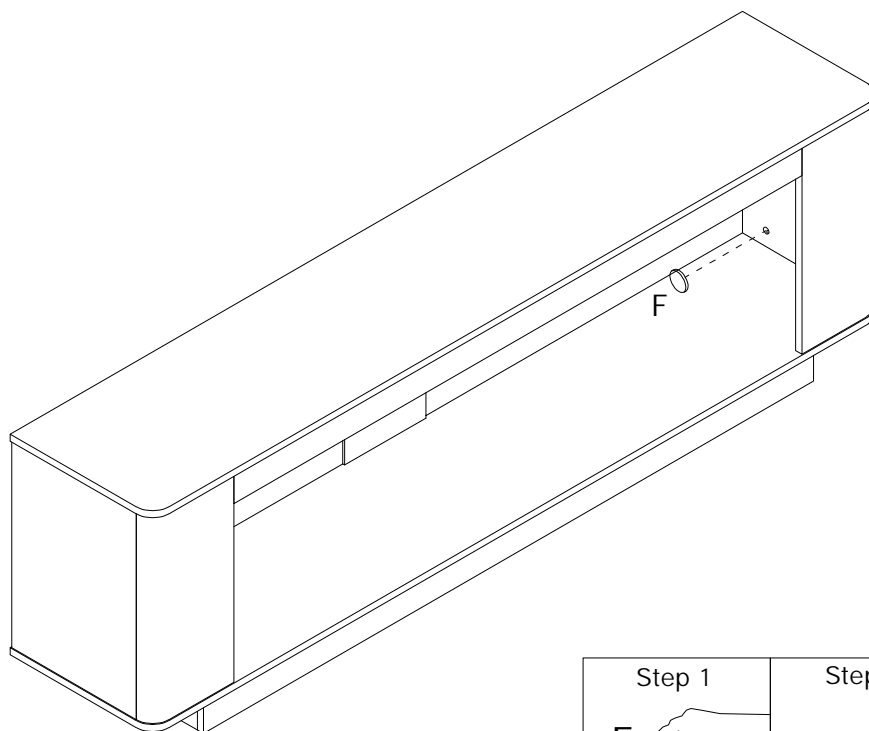


 Caution! Tap lightly

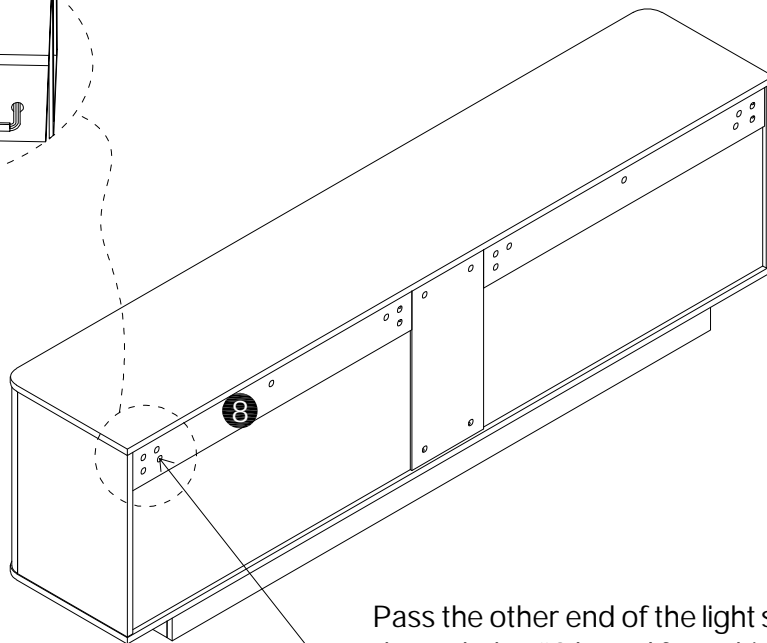
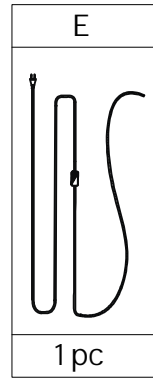
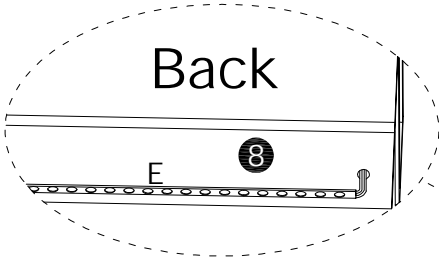
19



20

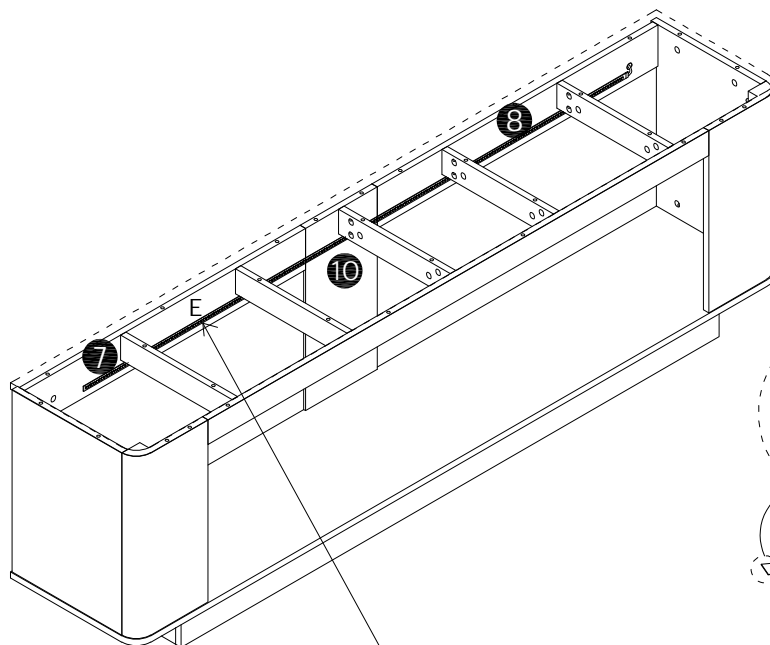


21

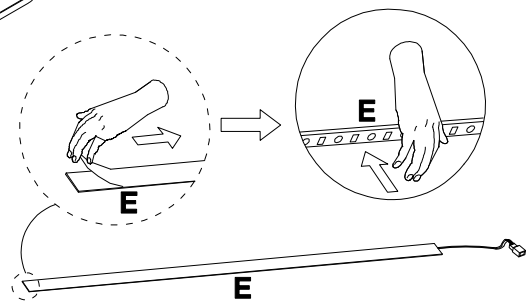


Back

Pass the other end of the light strip plug through the #8 board from this point



Front



Attach it to the #8, #10, and #7 backing plates

Thank you for your support !

