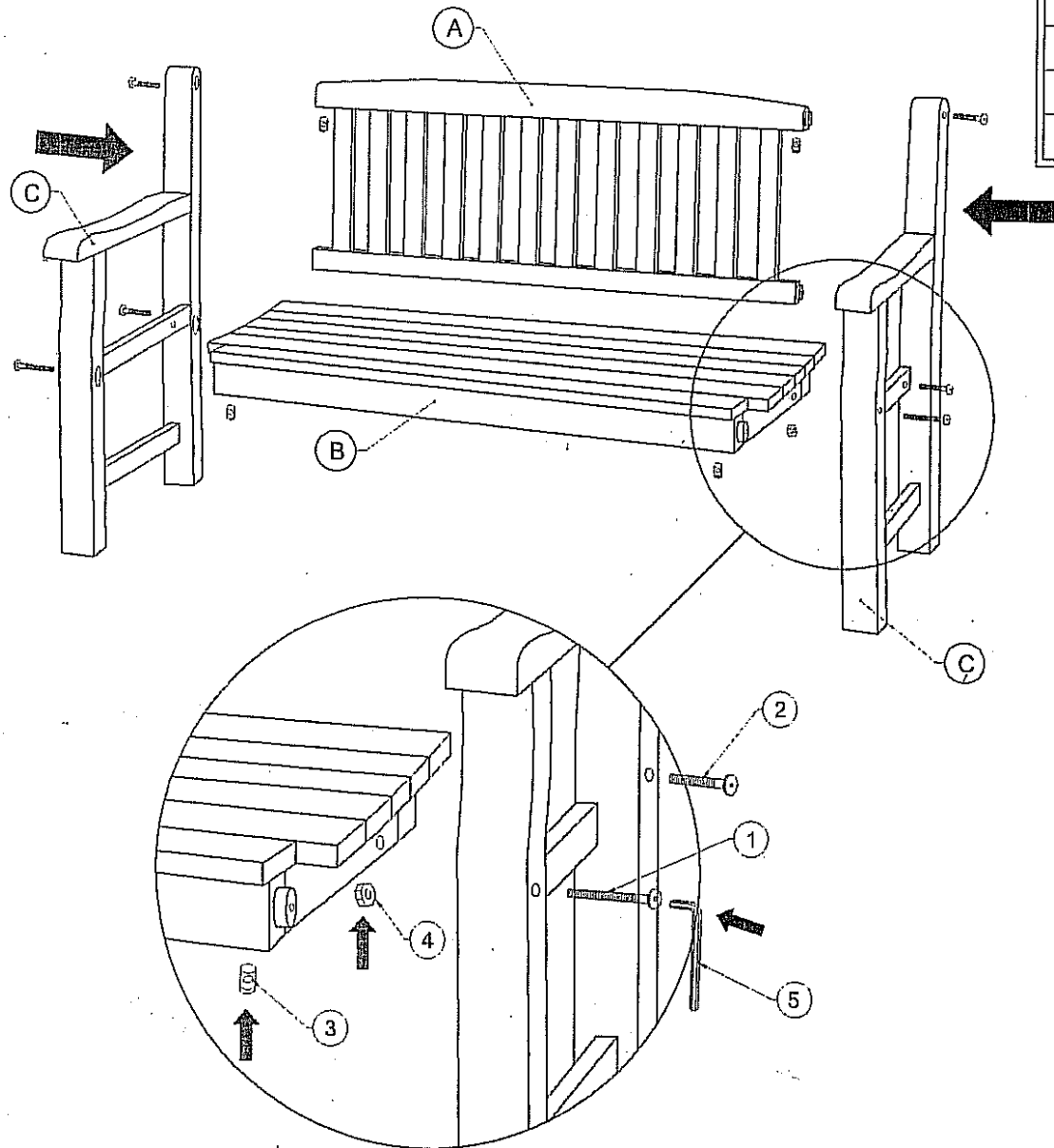


# ASSEMBLY INSTRUCTIONS

# BENCH



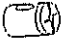


## STEP 1



### COMPONENT PART

A	BACK REST
B	SEAT
C	SIDE ARM

### HARDWARE

1	JCBC M6X100mm 	4 PCS
2	JCBC M6X55mm 	2 PCS
3	BARREL NUT M6X16 	4 PCS
4	LOCK NUT 	2 PCS
5	ALLEN KEY 	1 PC

## STEP 2

