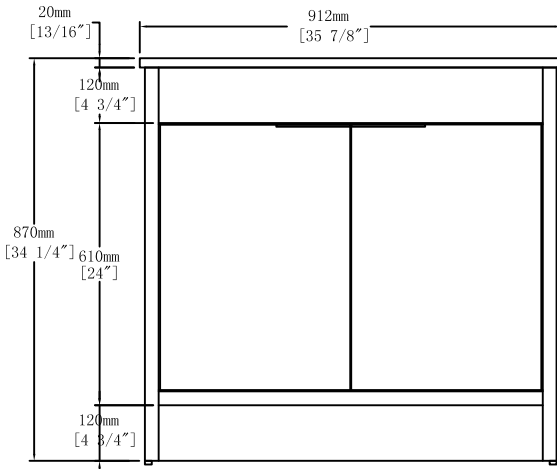
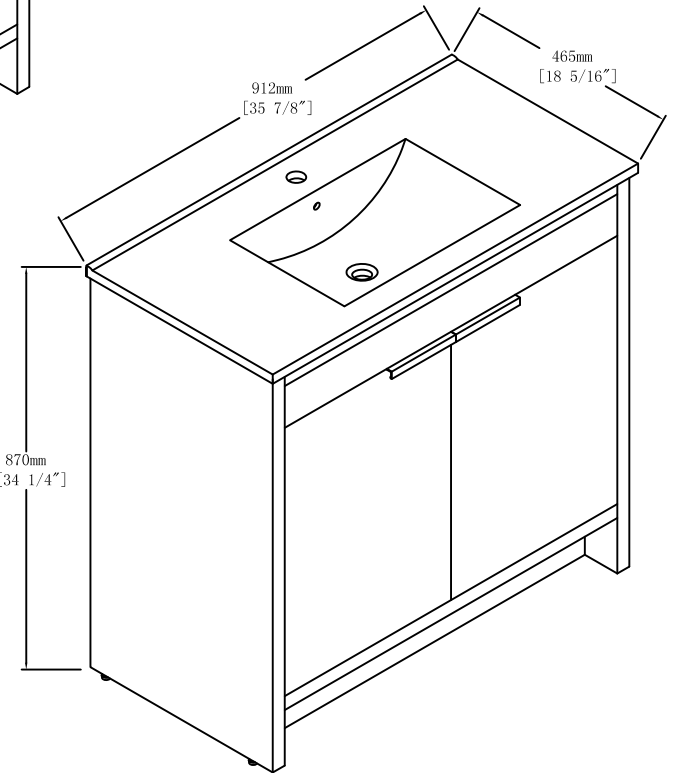
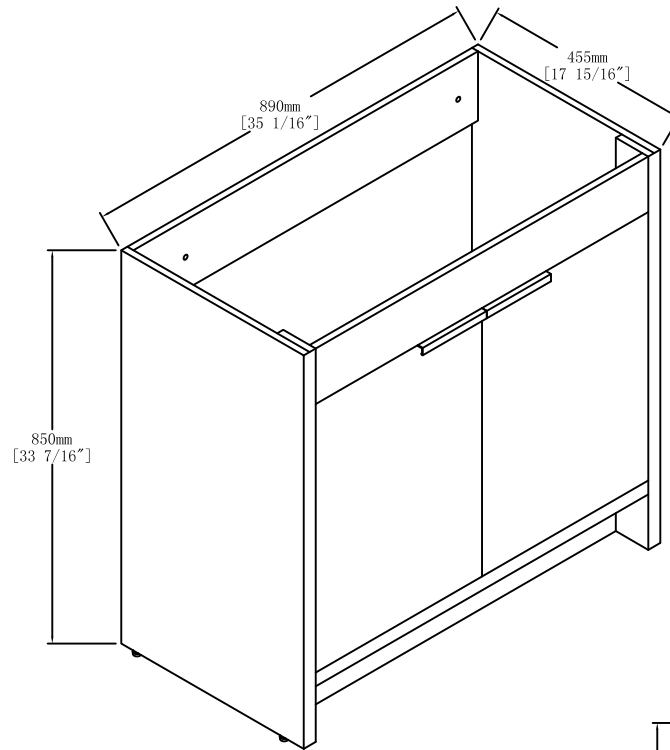
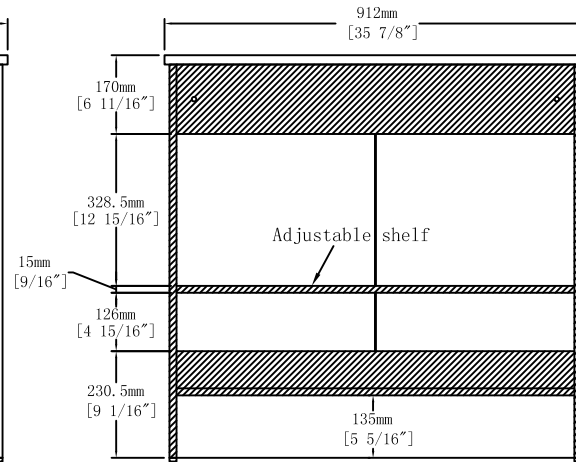


Top View



Front View



Back View

	Item NO.		Version	V1
	Projece		Date	2022-8-9