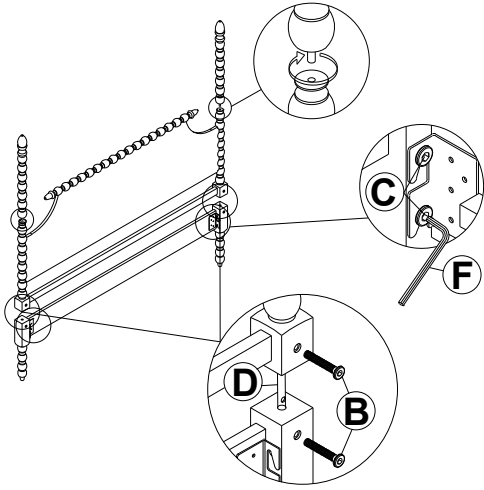


# SW 8638 - F/Q/K

1.

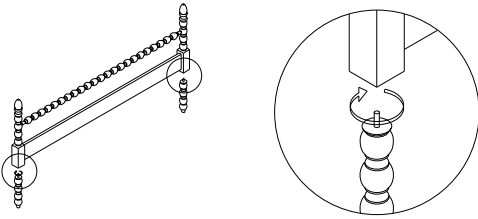


Attach the headboard post upper (P2) to the headboard (P1)

Attach the headboard lower rail (P4) to the headboard post lower (P3) using hardware:  
C = 4pcs  
F = 1pc

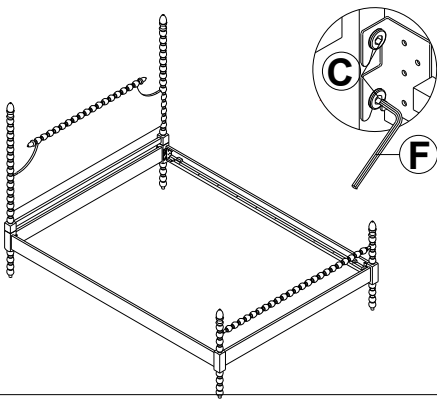
Attach the headboard (P1) to the headboard post lower (P3) using hardware:  
B = 4pcs  
D = 2pcs  
E = 1pc

2.



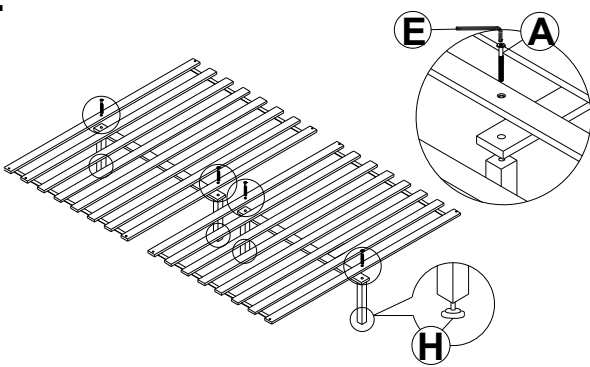
Attach the footboard post (P6) to the footboard (P5)

3.



Attach the side rail (P7) to the headboard post lower (P3) and footboard (P5) using hardware:  
C = 8pcs  
F = 1pc

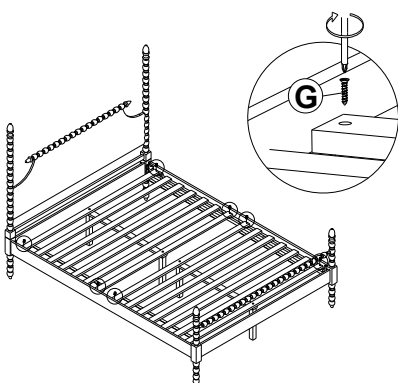
4.



Fix the adjuster (H) to the support leg (P10) using hardware:  
H = 4pcs

Attach the support leg (10) to the center rail (P8) and bed slats (P9) using hardware:  
A = 4pcs  
E = 1pc

5.



Lay the bed slats (P9) between the side rail (P7) using hardware:  
G = 8pcs

**\*\*Apply pressure with your knee to the side rail whilst attaching the slats to ensure that the slats are flush against the inside of side rail\*\***

## WARNING!!

- Remove hardware from box and sort by size.
- Please check to see that hardware and parts are present prior start of assembly.
- Please follow attached instruction in the same sequence numbered to ensure fast and easy assembly.
- Do not use this bed if any part is broken, torn or missing.
- The assembly of this product requires two people.
- Do not use any power tools as this may damage the frame and will invalidate any claim.

## PART LIST

P1		Headboard	=	1pc
P2		Headboard Post Upper	=	2pcs
P3		Headboard Post Lower	=	L-1pc R-1pc
P4		Headboard Lower Rail	=	1pc
P5		Footboard	=	1pc
P6		Footboard Post	=	2pcs
P7		Side Rail	=	2pcs
P8		Center Rail	=	2pcs
P9		Bed Slats	=	14pcs
P10		Support Leg	=	4pcs

## HARDWARE LIST

A		M6 X 50MM JCBC	=	4pcs
B		M6 X 40MM JCBC	=	4pcs
C		M8 X 20MM JCBB	=	12pcs
D		METAL PIN M10 X 100MM	=	2pcs
E		ALLEN KEY M4	=	1pc
F		ALLEN KEY M5	=	1pc
G		M4 X 25MM SCREW	=	8pcs
H		ADJUSTER	=	4pcs

