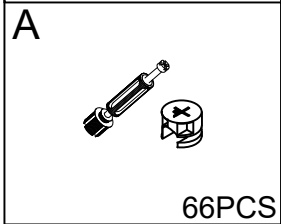
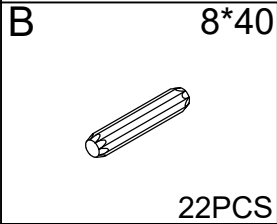


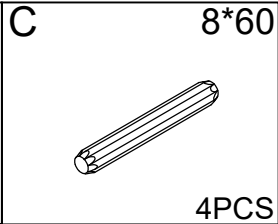
2PCS



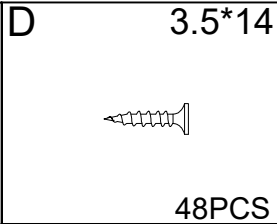
66PCS



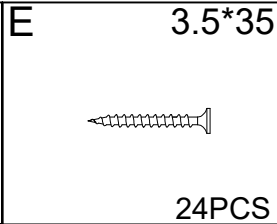
22PCS



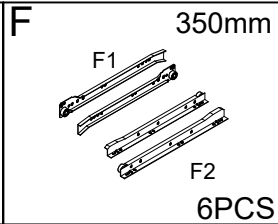
4PCS



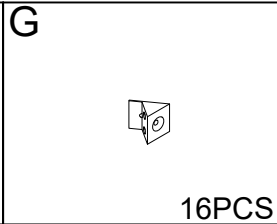
48PCS



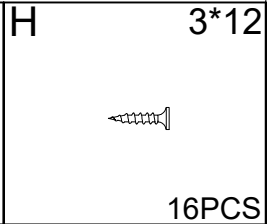
24PCS



F1
F2
6PCS



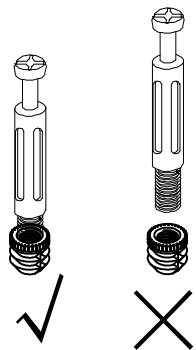
16PCS



16PCS

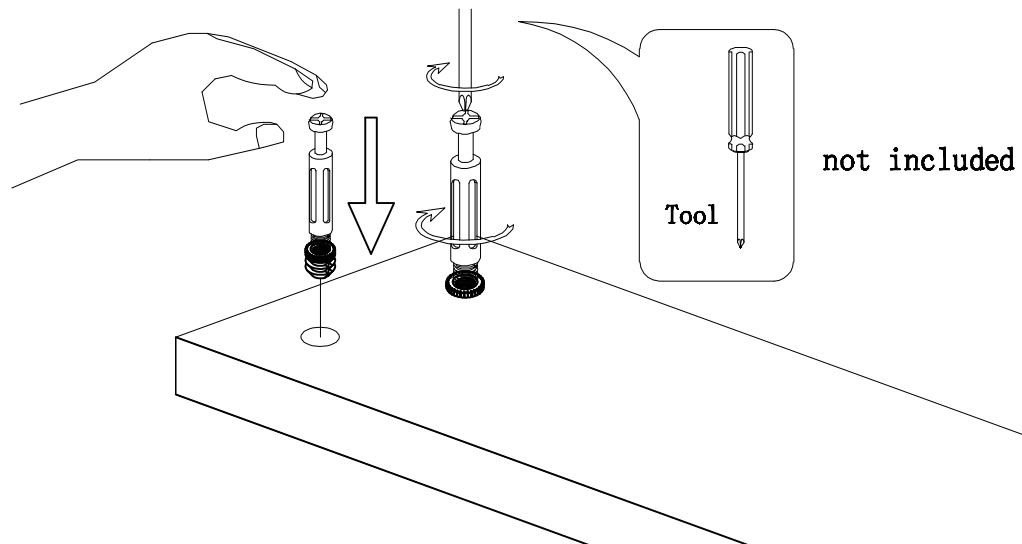
"A" Hardware installation example

I

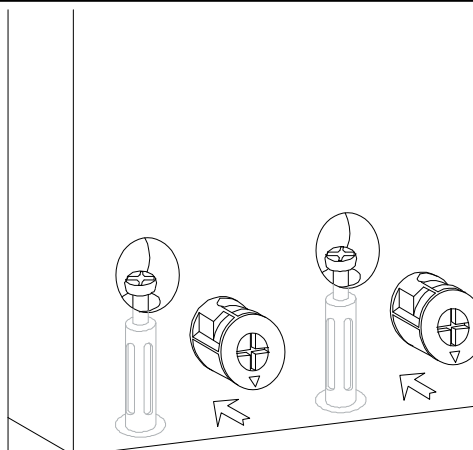


This part cannot be separated,
please install in strict
accordance with the assembly
requirements

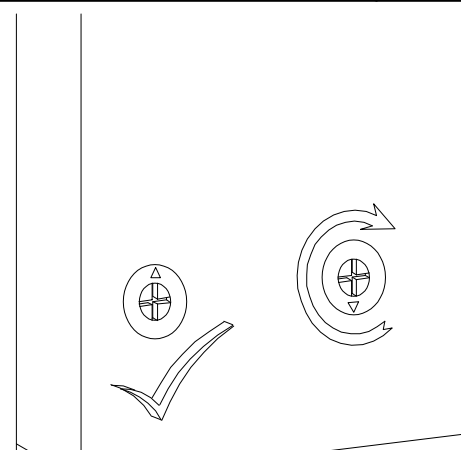
II



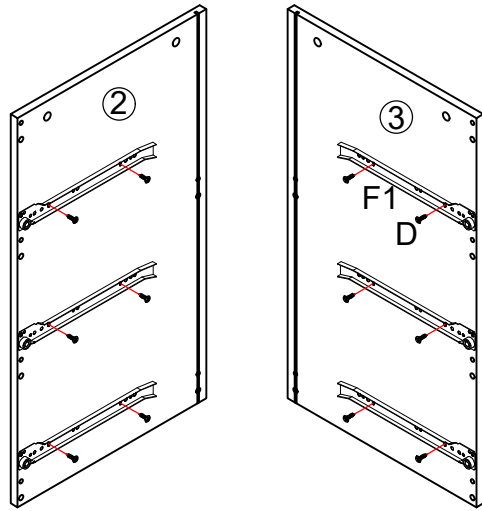
III



IV

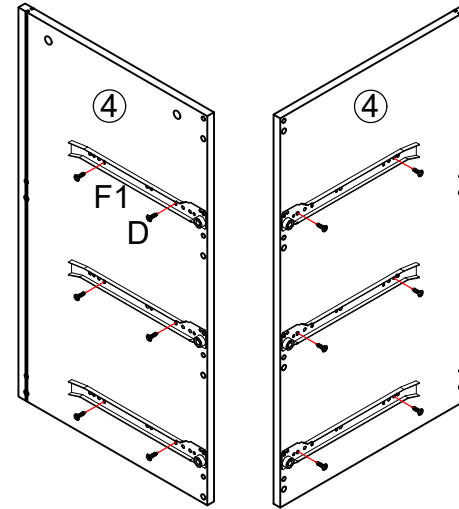


1



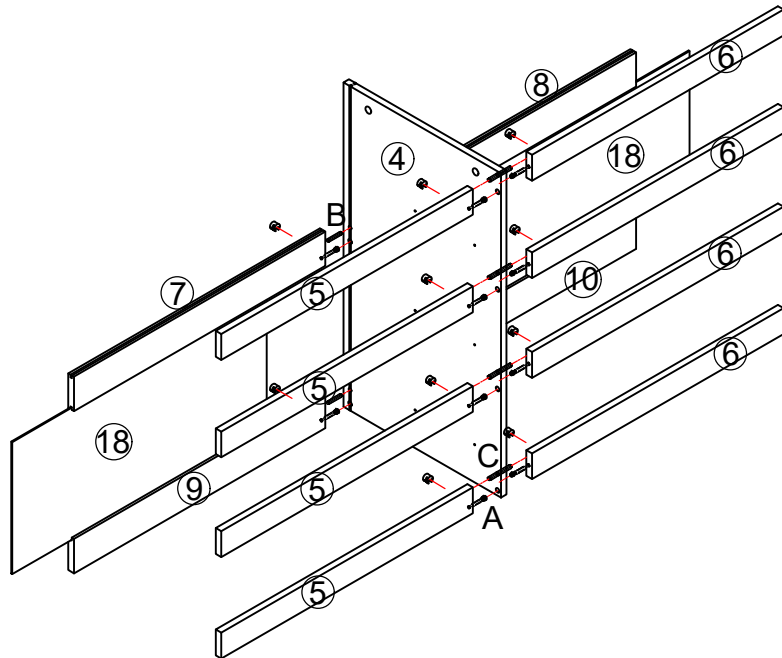
D*12 F1*3

2



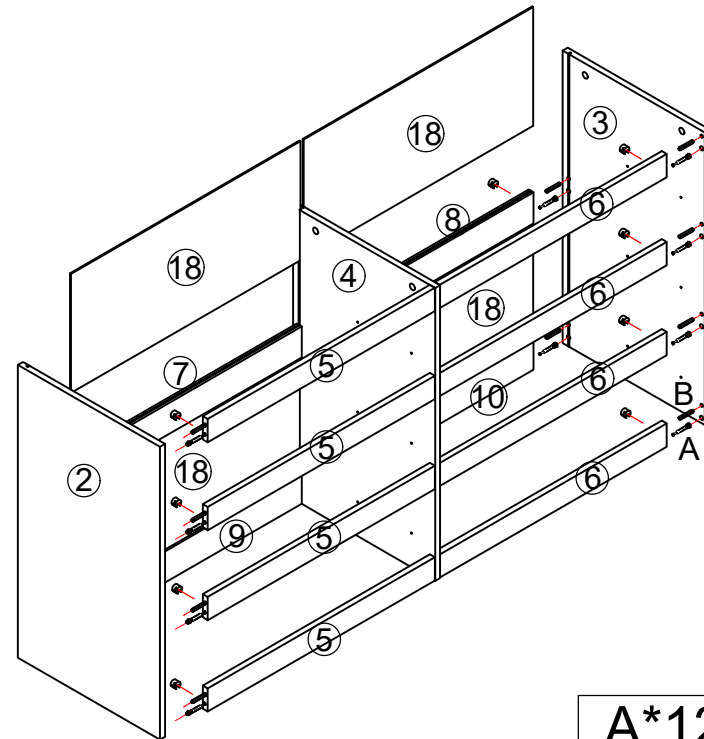
D*12 F1*3

3



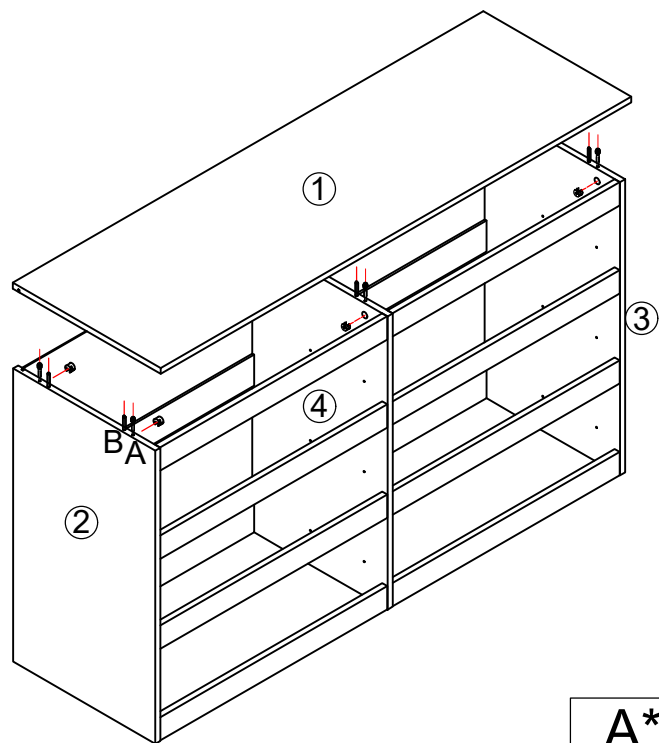
A*12 B*4 C*4

4



A*12 B*12

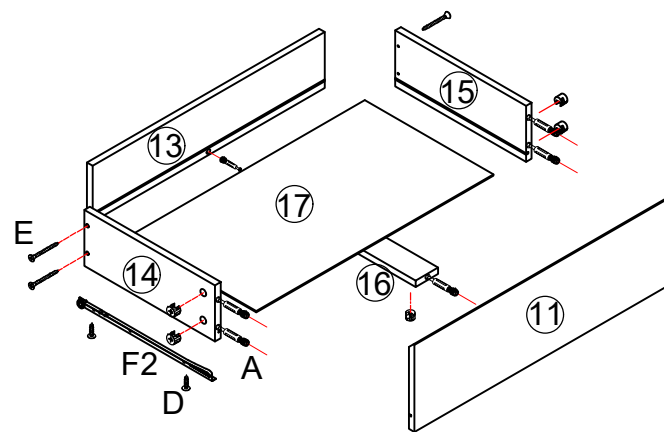
5



A*6 B*6

6

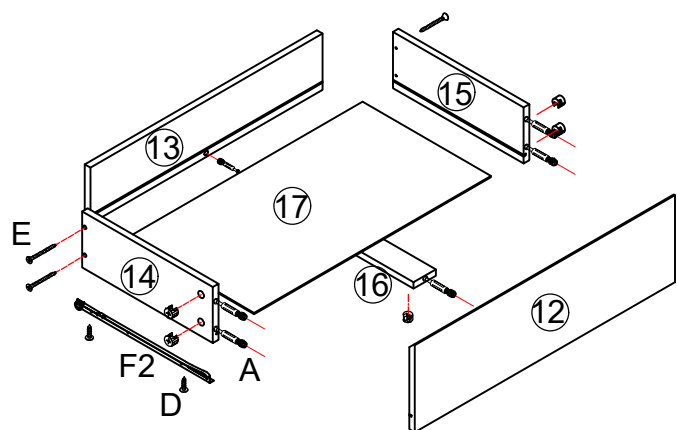
X3



A*18 D*12 E*12 F2*3

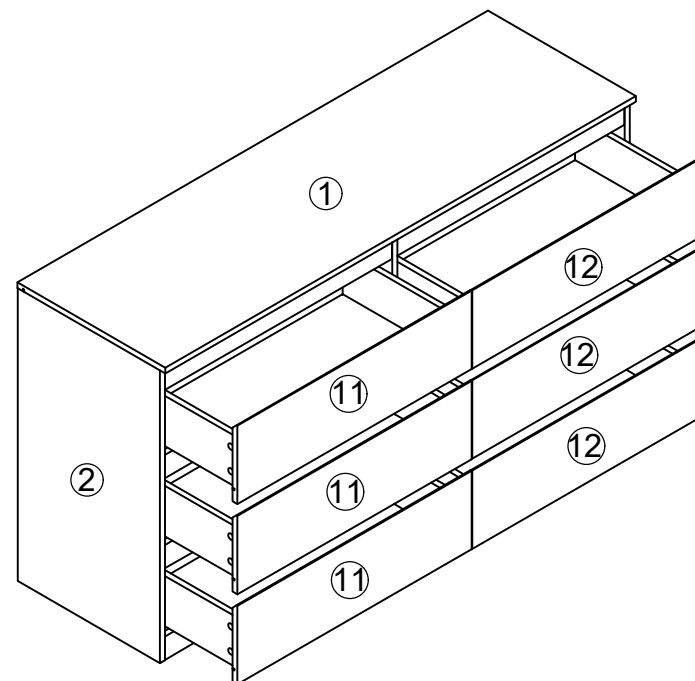
7

X3

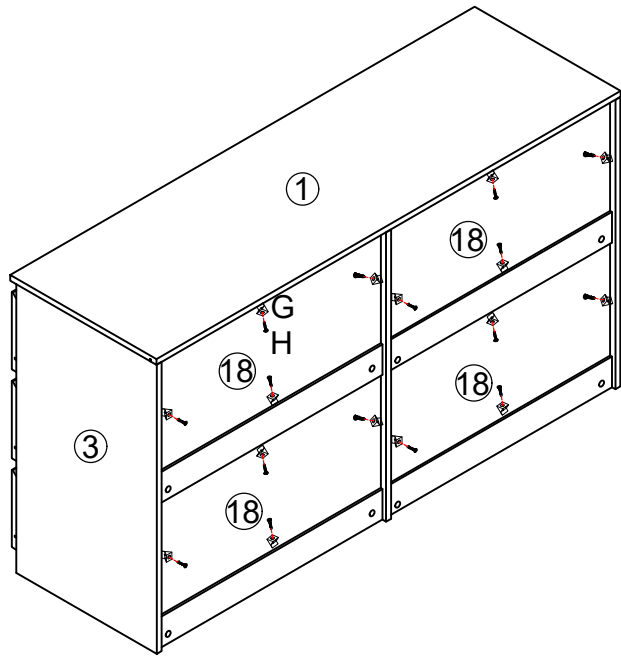


A*18 D*12 E*12 F2*3

8

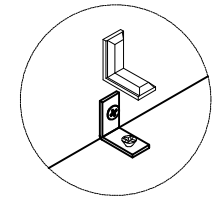
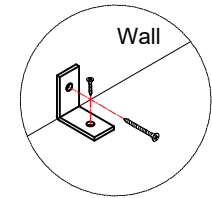
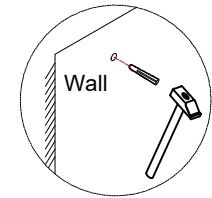
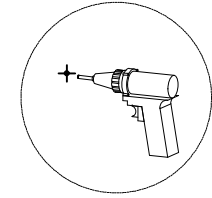
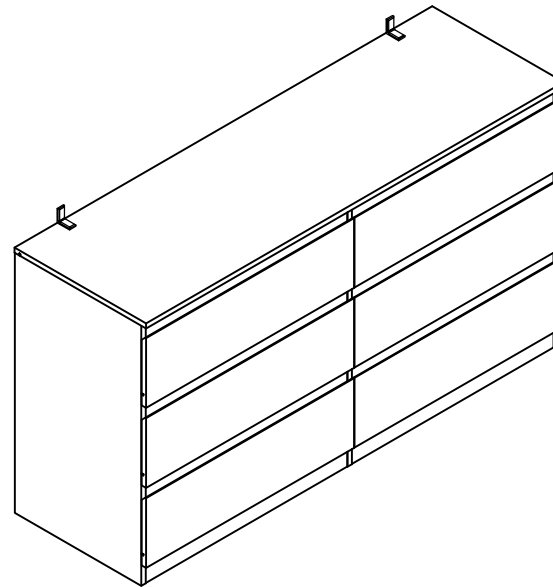


9



G*16 H*16

10



Please install tip-proof fitting.

I*2