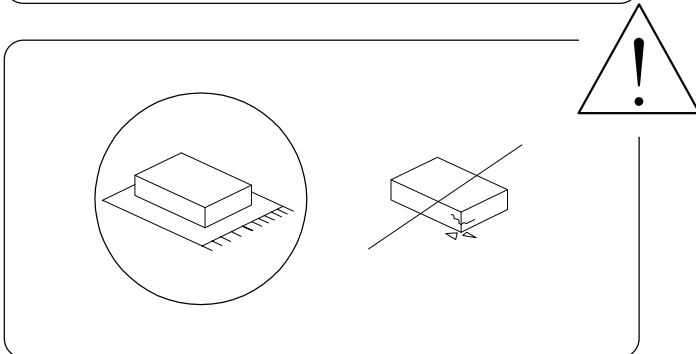
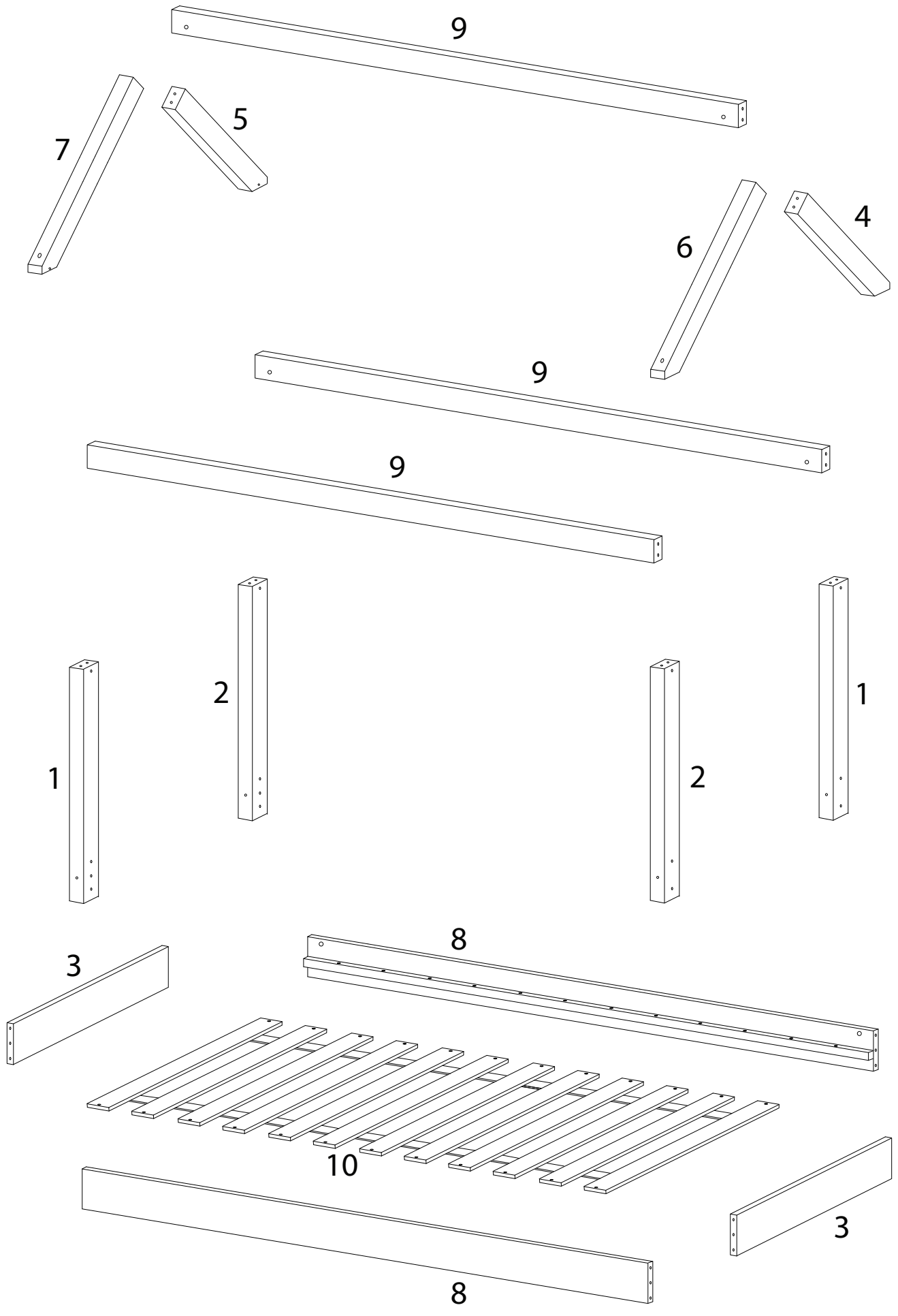


60'



2



1



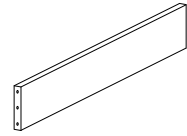
x 2

2



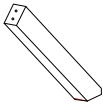
x 2

3



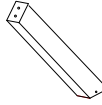
x 2

4



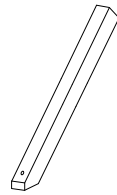
x 1

5



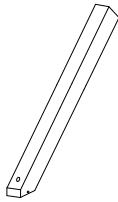
x 1

6



x 1

7



x 1

8



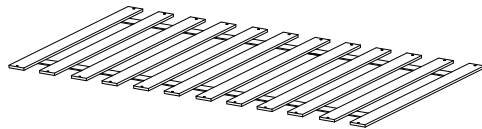
x 2

9



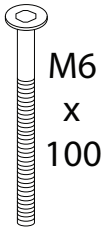
x 3

10



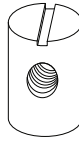
x 1

A



x 6

B



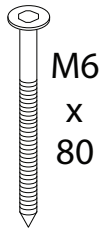
x 20

C



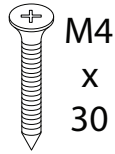
x 24

D



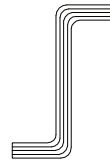
x 14

E



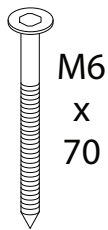
x 26

F



x 1

G



x 4

1 x 2

3



x1

8

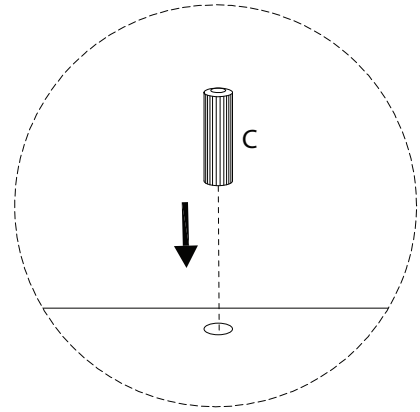
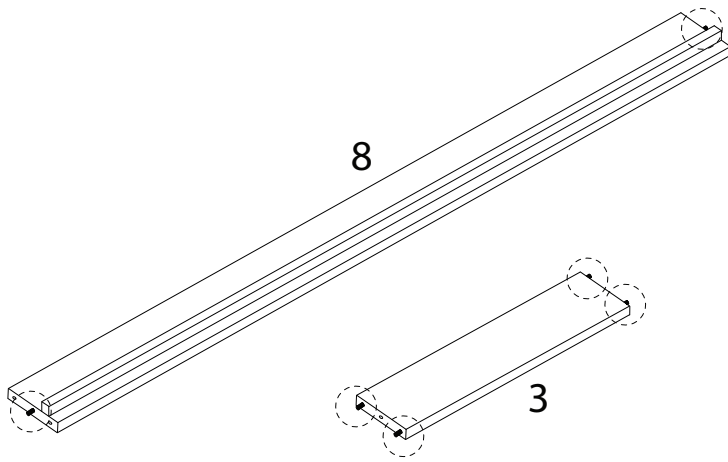


x1

C



x6



2 x 3

9

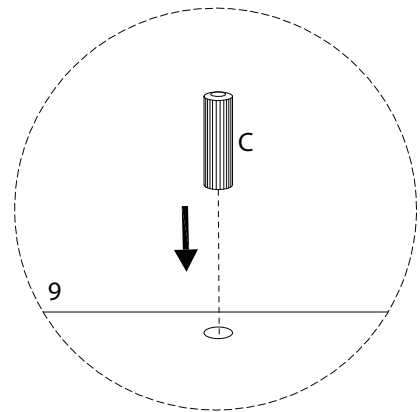
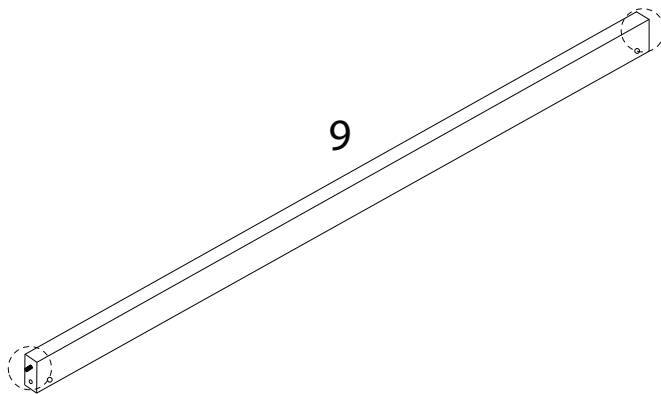


x1

C



x2

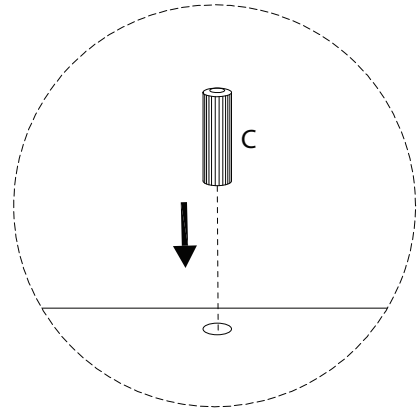
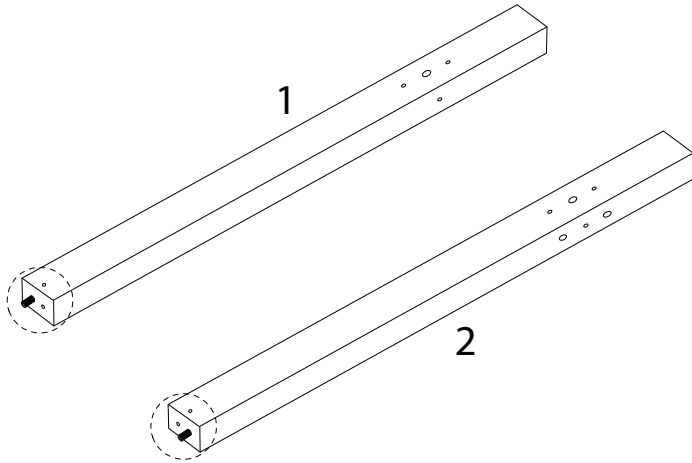


3 x 2

1
x1

2
x1

C
x2

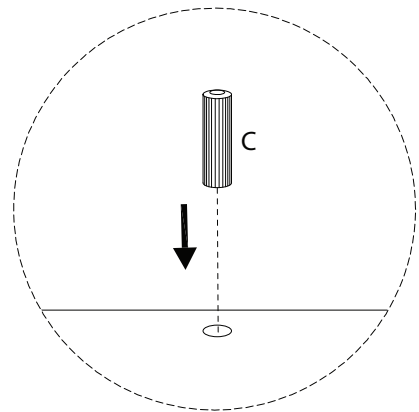
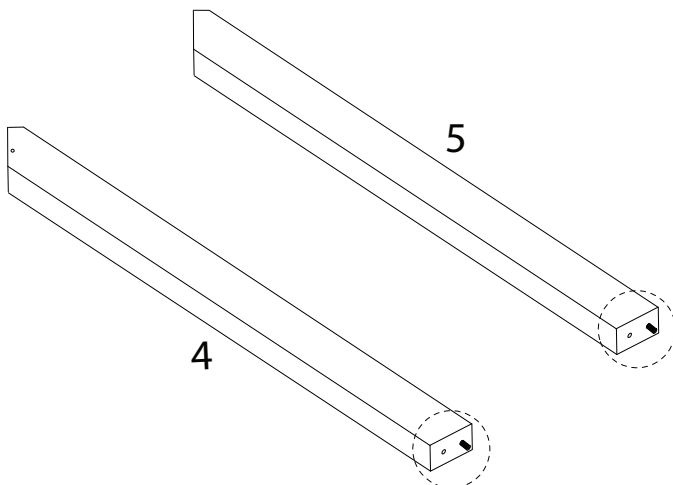


4

4
x1

5
x1

C
x2



5

6



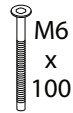
x 1

7



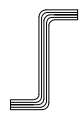
x 1

A

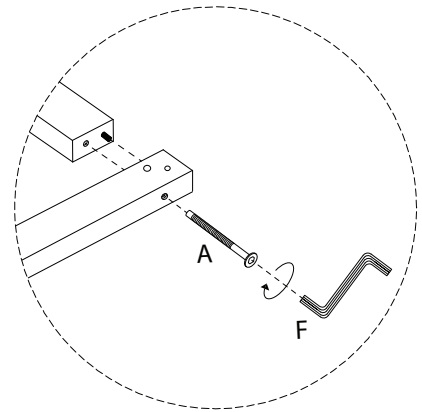
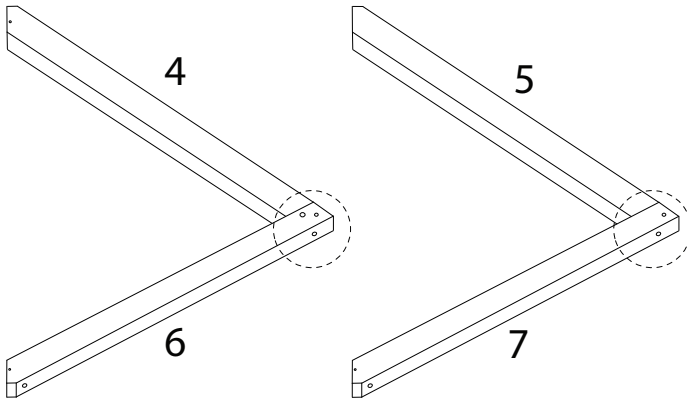


x 2

F

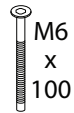


x 1



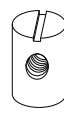
6 x 2

A



x 2

B

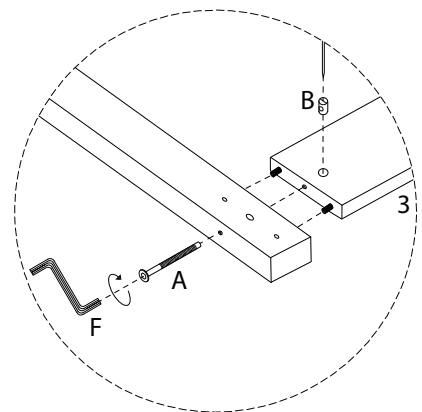
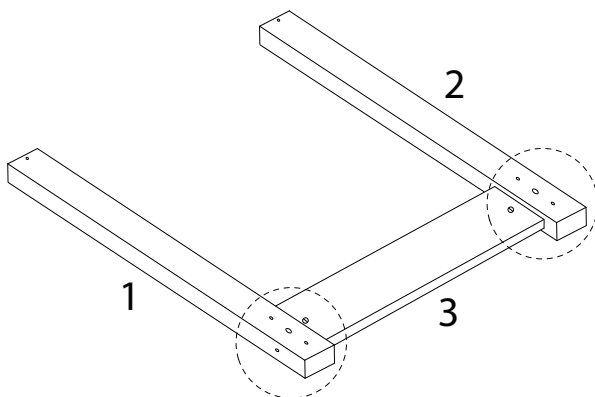


x 2

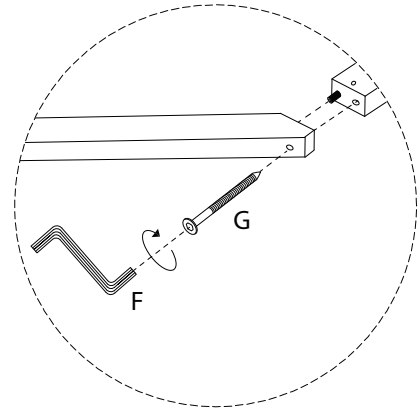
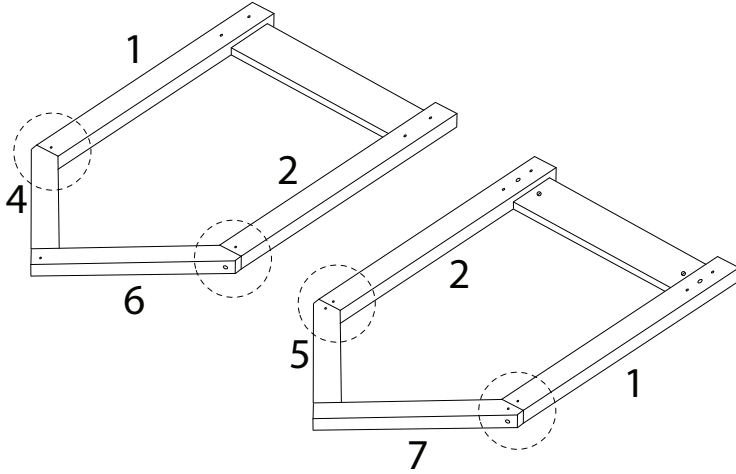
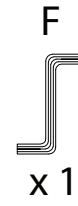
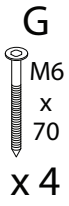
F



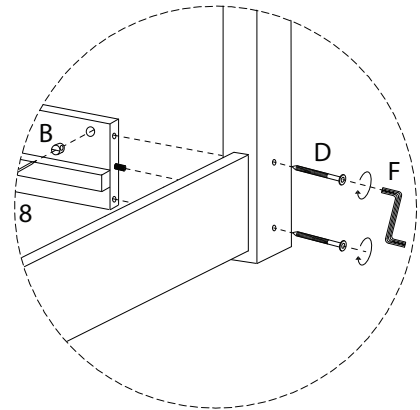
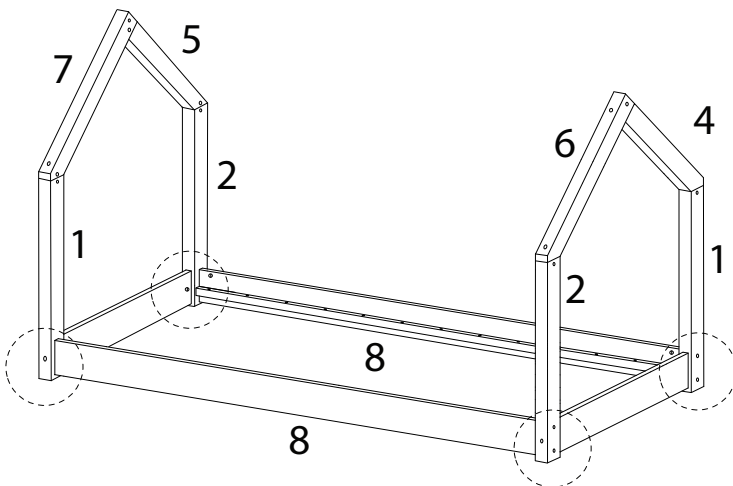
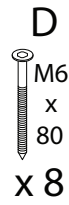
x 1



7



8



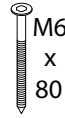
9

B



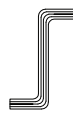
x 6

D

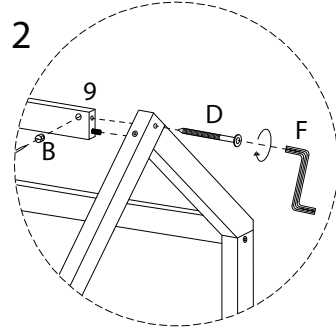
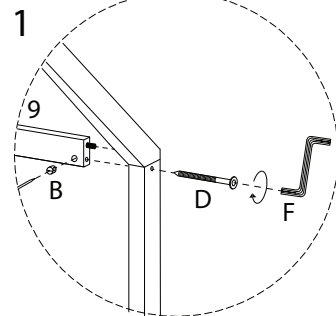
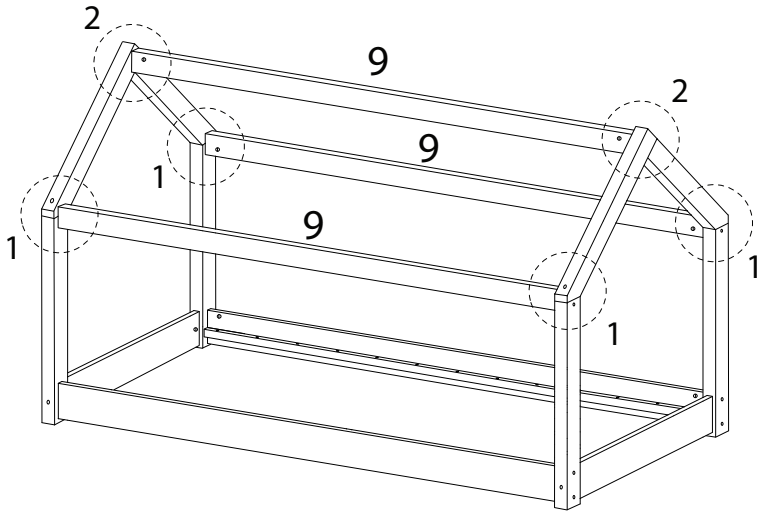


x 6

F



x 1



10

10



x 1

E



x 26

