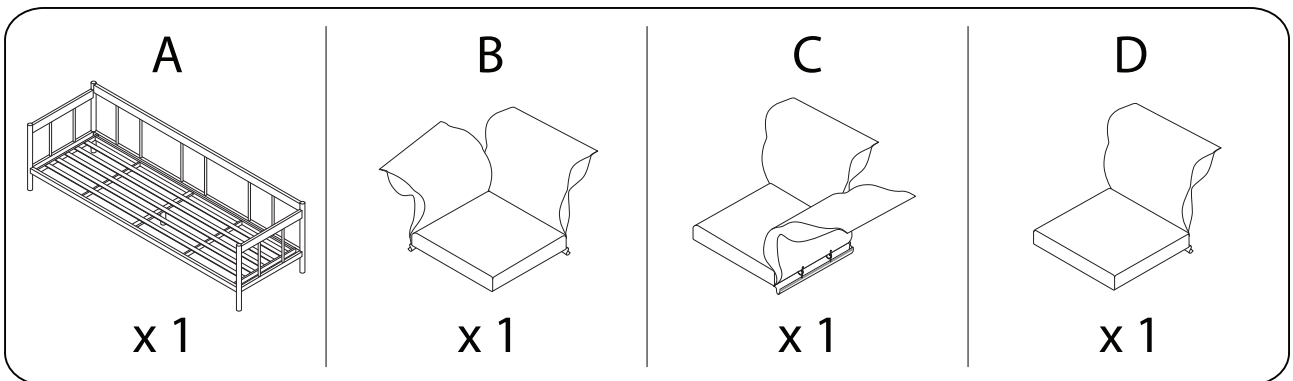
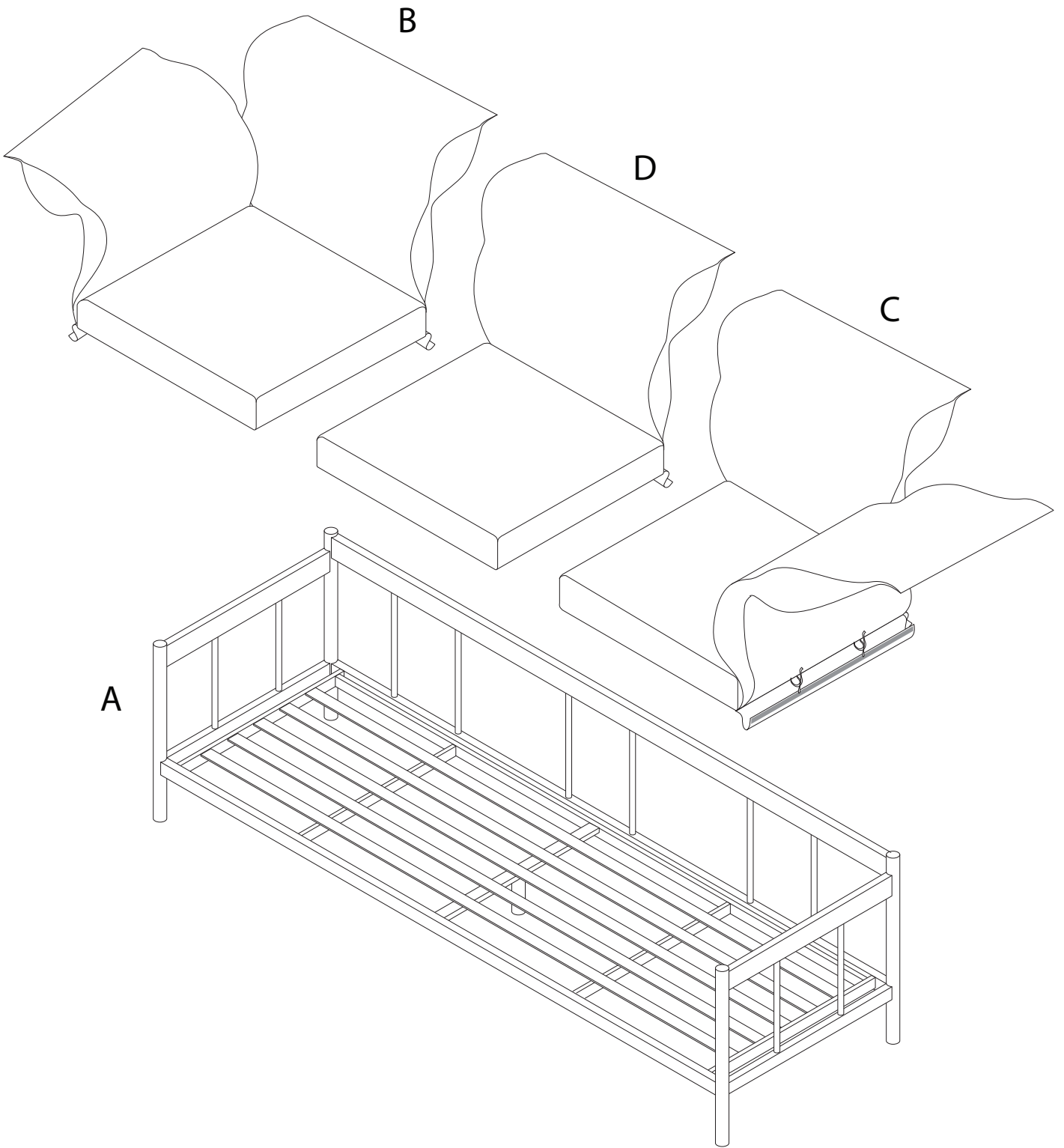
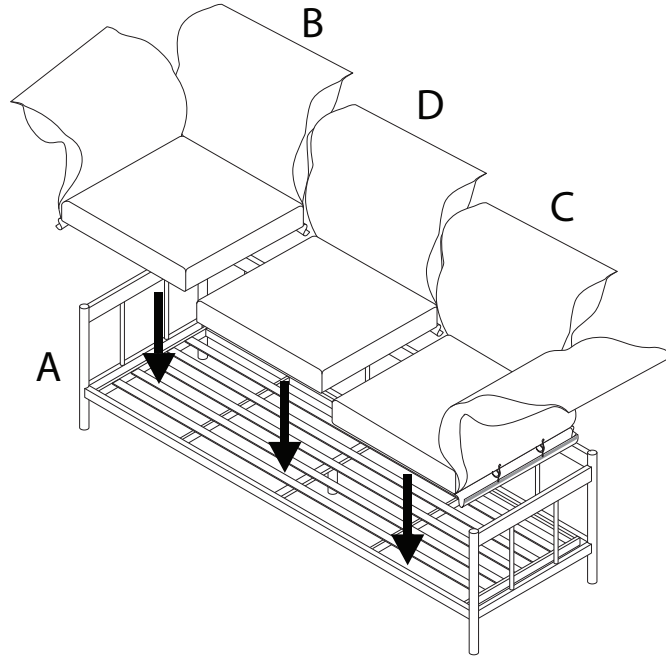
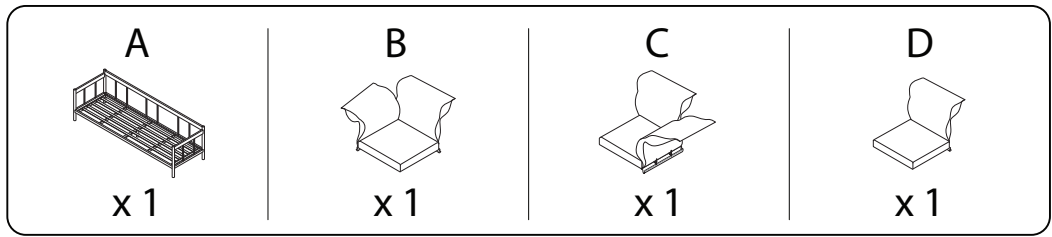


Diagram illustrating assembly instructions and safety warnings:

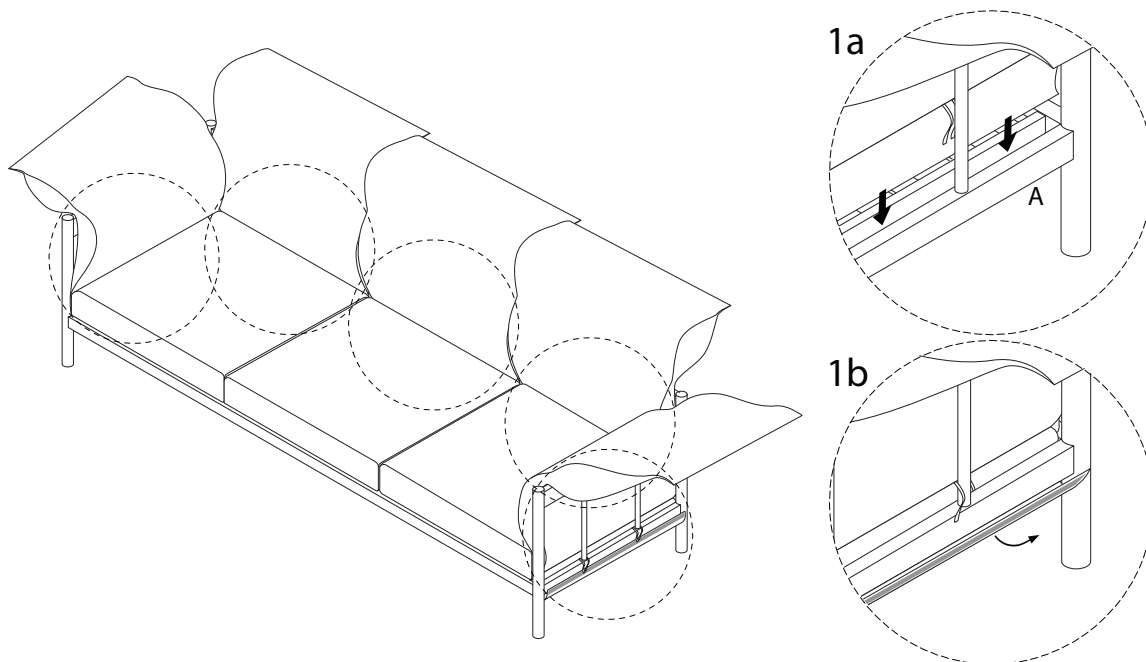
- Warning 1:** A crossed-out power drill icon indicates that a power drill should not be used for assembly.
- Warning 2:** A crossed-out icon of a block being drilled from the bottom indicates that drilling should not be performed from the underside of the component.
- Time:** A clock icon with the text "10'" below it indicates an estimated assembly time of 10 minutes.
- Person:** An icon of a person with the text "1" below it indicates that one person is required for assembly.



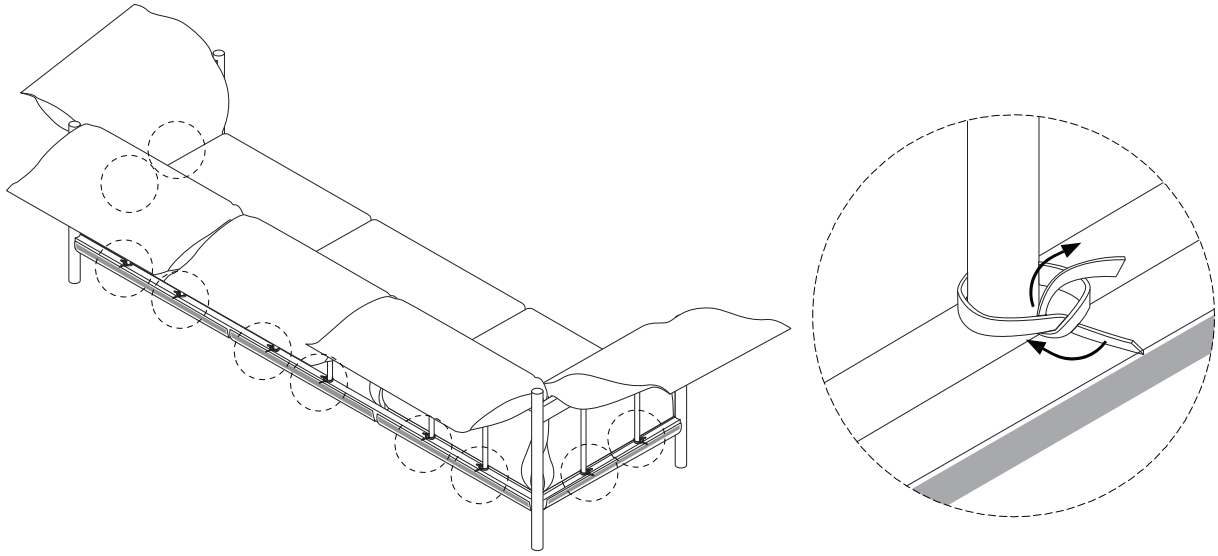
1



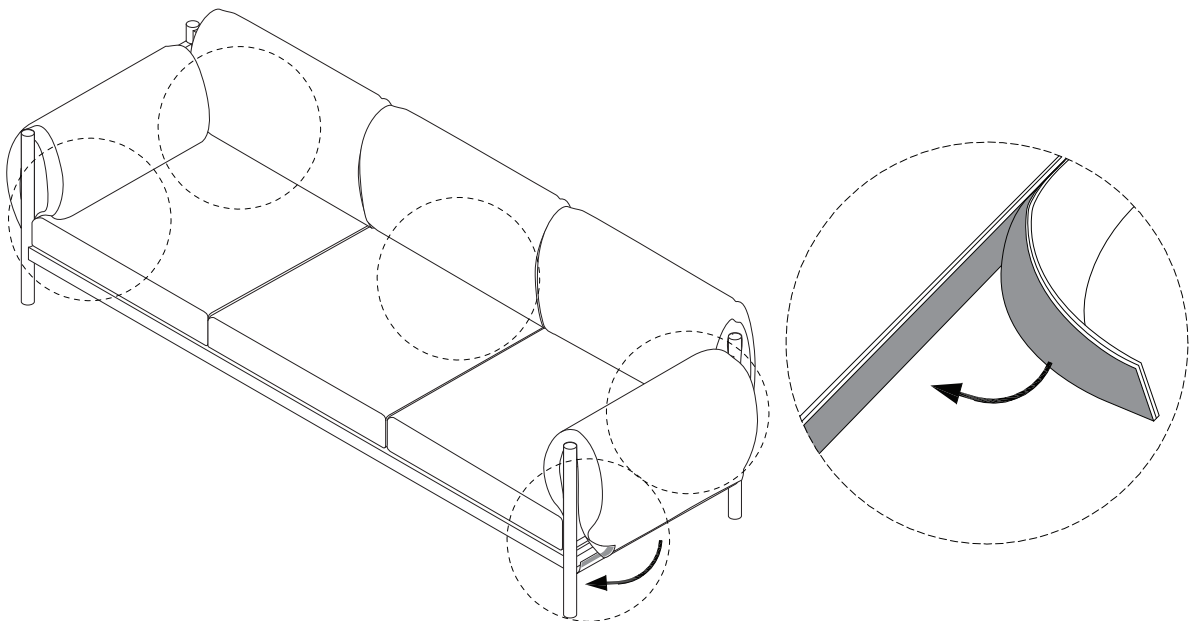
2



3



4



!

