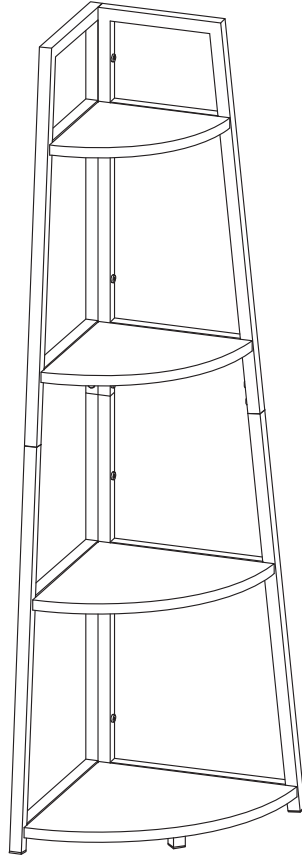


# Installation Instruction



Product name

---

**Corner multilayer triangle storage rack**

Ver.1.0 20220430

# Assembling

---

Estimated time for assembly

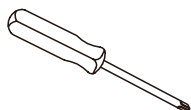


**25 : 00**

---

## What you need

- Use the packaging carton as a working surface to prevent product damage during assembly
- Phillips head screwdriver



## Weight Limitation



**33** | **22**  
lbs table top | lbs per shelf

## What's included

---

Code	Description	Qty
A	Bolt M6X12MM	8
B	Bolt M6X30MM	4
C	Screw M4X12MM	18
D	Allen Key	1

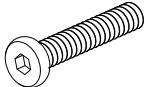
---

# The Hardwares

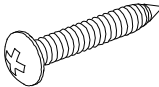
A



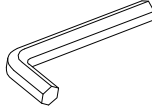
B



C



D



**IMPORTANT:**

- 1. Do not tighten bolts / screws completely until all bolts / screws are lined up and inserted into holes.
- 2. Do not over tighten screws and bolts to avoid stripping.
- 3. Please use hand tools to assemble this product. Do not use power tools.

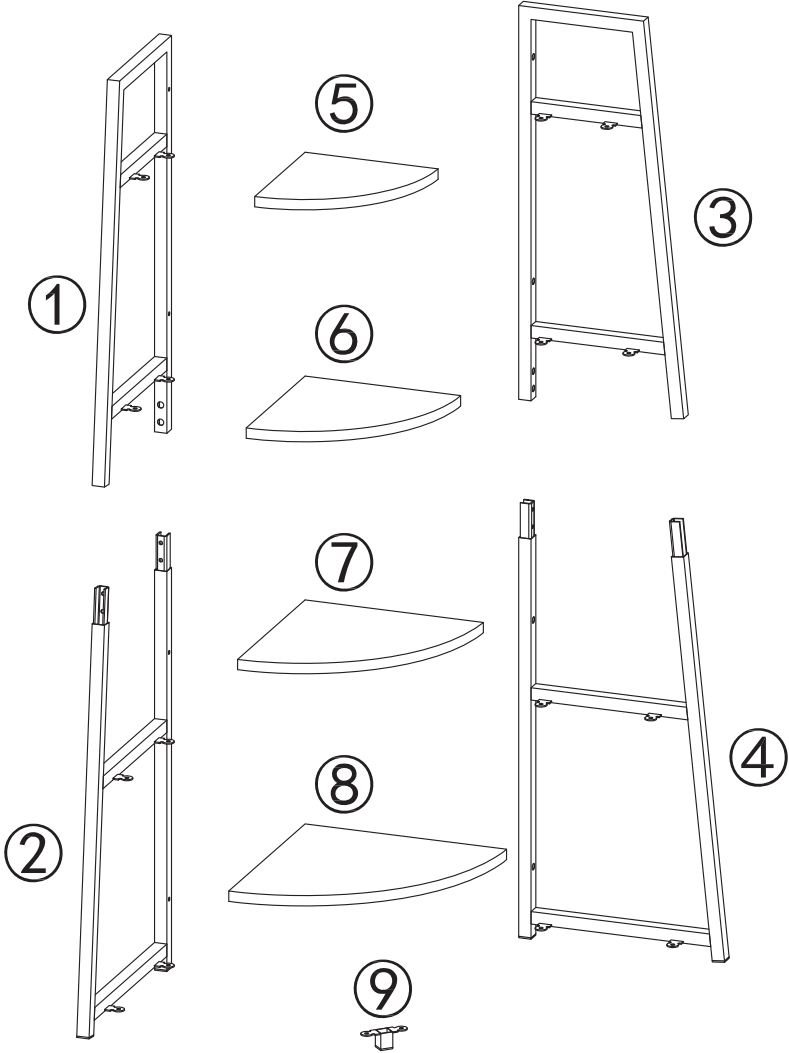
# Included Accessories

---

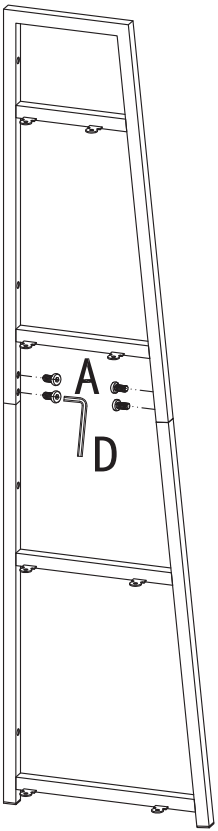
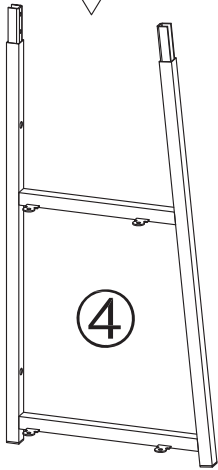
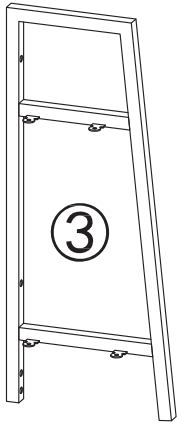
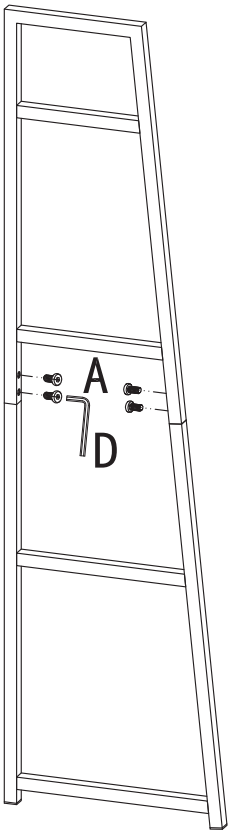
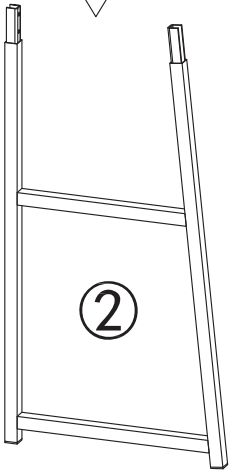
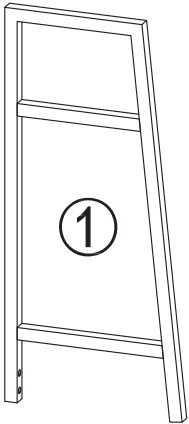
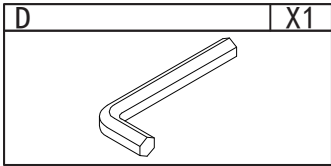
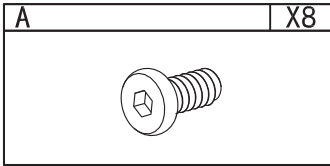
Code	Description	Qty
1	Left Top Frame	1
2	Left Bottom Frame	1
3	Right Top Frame	1
4	Right Bottom Frame	1
5	Top Panel	1
6	Middle Panel	1
7	Middle Panel	1
8	Bottom Panel	1
9	Support Metal Tube	1

---

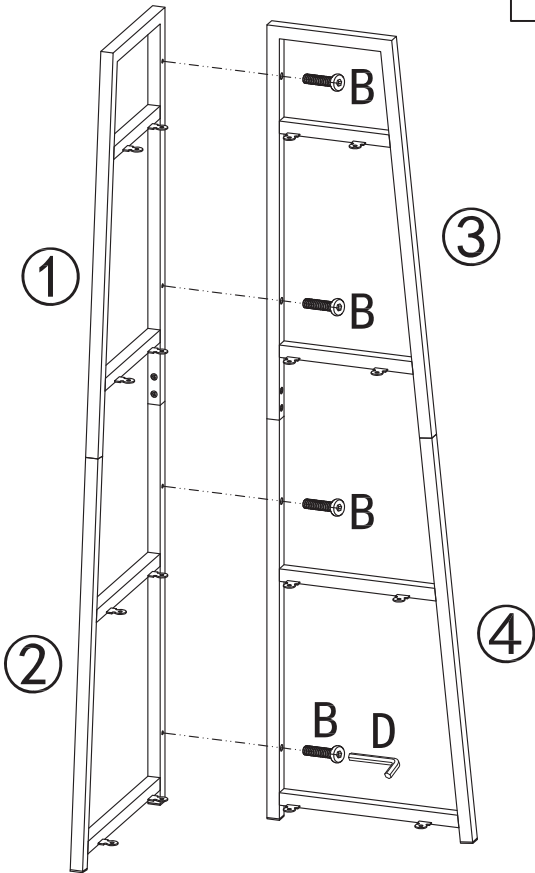
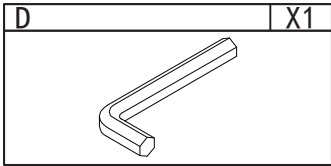
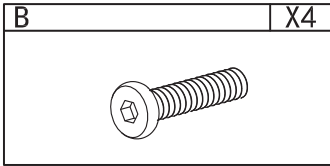
# The Accessoriess



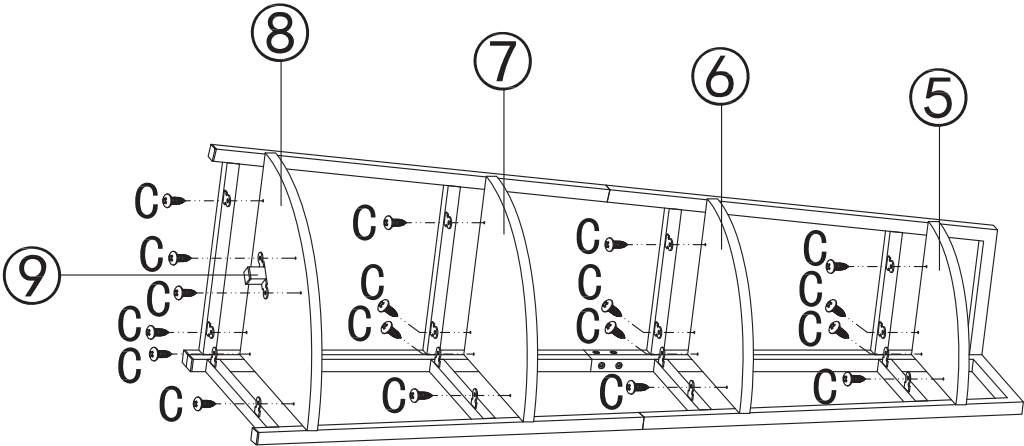
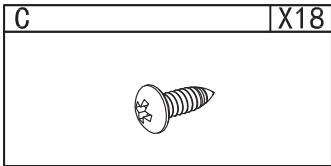
# Step 1



# Step 2



# Step 3



# Proper Use

- DO NOT use for commercial purposes
- DO NOT use as a step stool or stand on table
- DO NOT put hot serving liquid directly on the table top
- DO NOT leave spilled liquid on the table top
- DO NOT use table if damaged
- DO NOT exceed weight limit
- DO NOT make temporary repairs
- DO NOT use outdoor