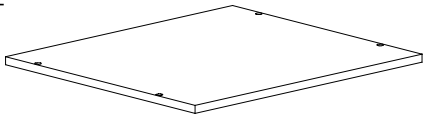


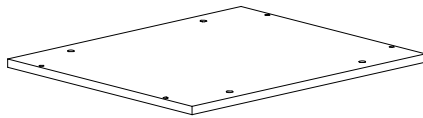
1



450*397*15

1 PC

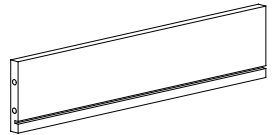
2



450*380*12

1 PC

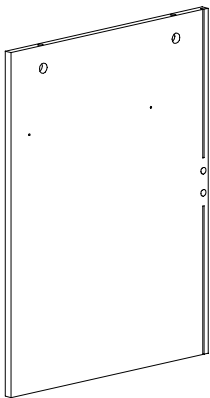
3



376*110*12

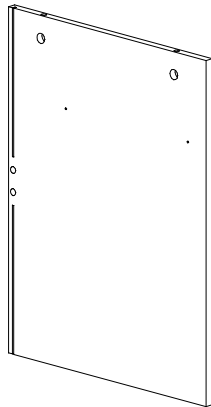
1 PC

4



380*500*12

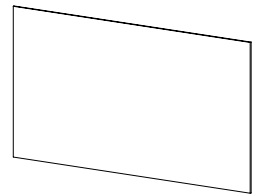
5



380*500*12

1 PC

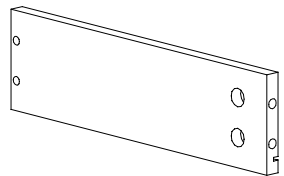
6



435*220*3

2 PCS

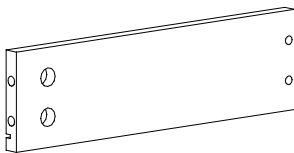
7



300*110*12

1 PC

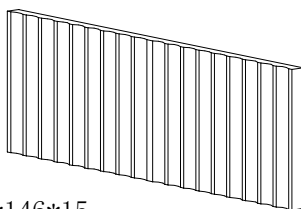
8



300*110*12

1 PC

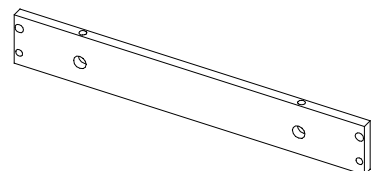
9



450*146*15

1 PC

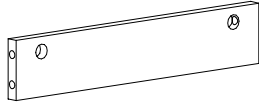
10



395*65*12

2 PCS

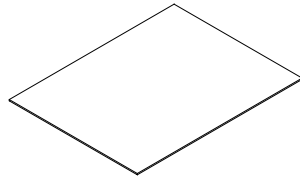
11



295*65*12

2 PCS

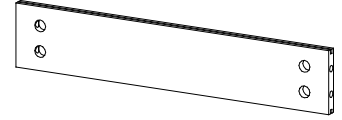
12



380*295*3

1 PC

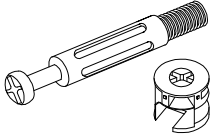
13



425*80*12

1 PC

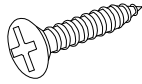
A



M7*40

20 PCS

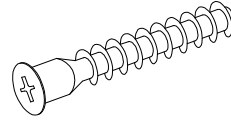
B



M3.5*12

10 PCS

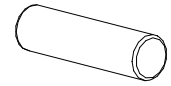
D



M7*40

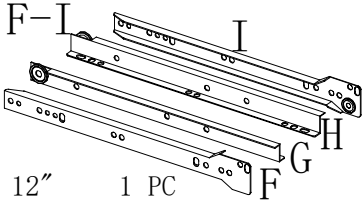
4 PCS

E

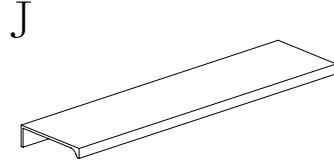


M8*30

4 PCS

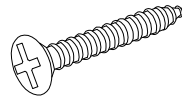


12" 1 PC



1 PC

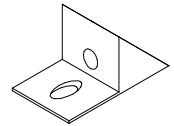
K



M4*35

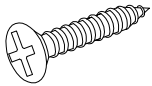
4 PCS

L



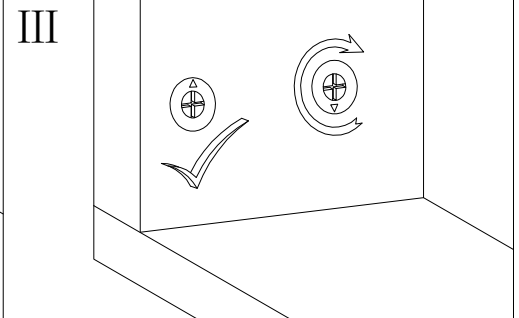
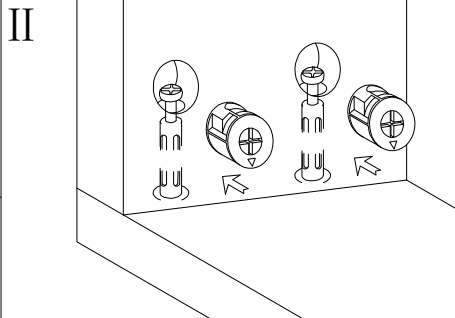
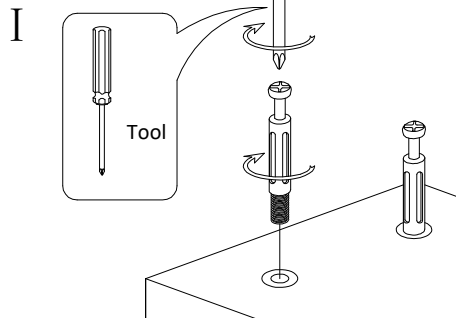
8 PCS

R

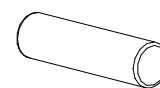
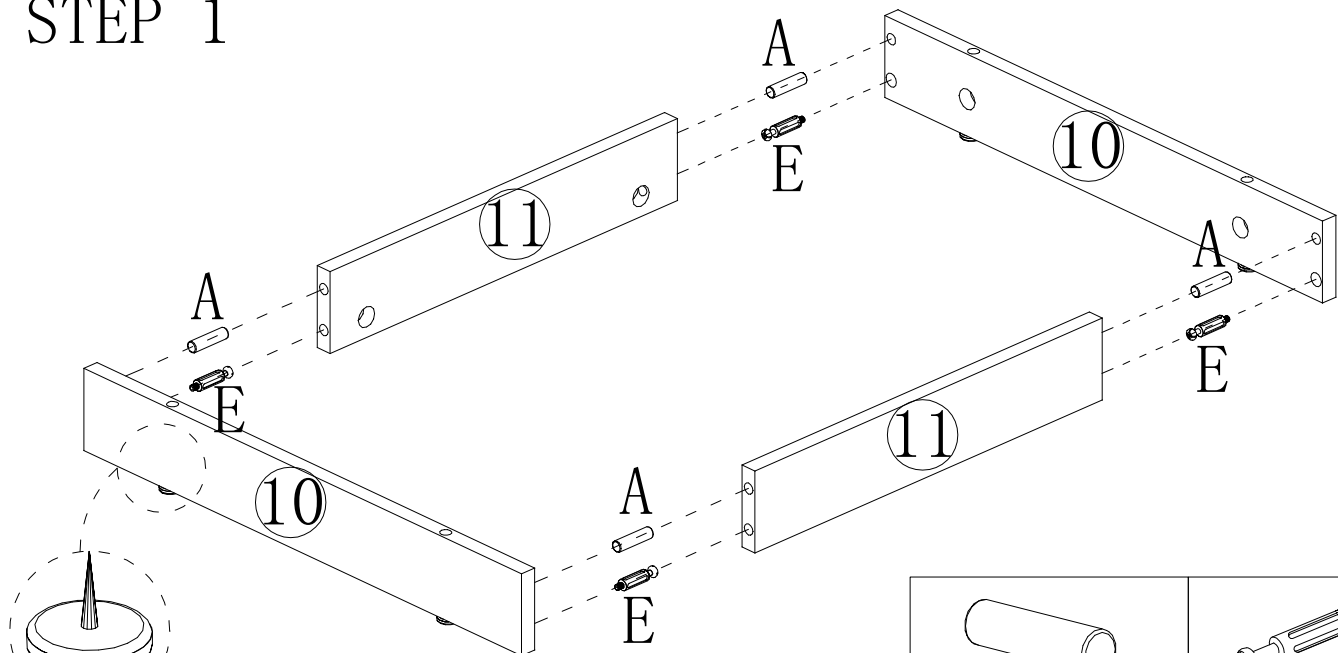


M3.5*14

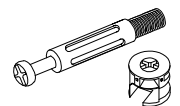
8 PCS



STEP 1

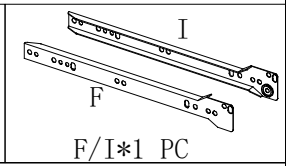
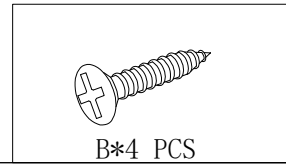
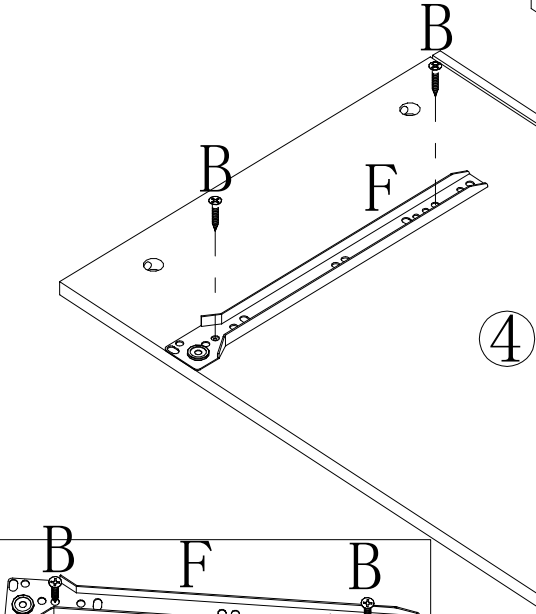
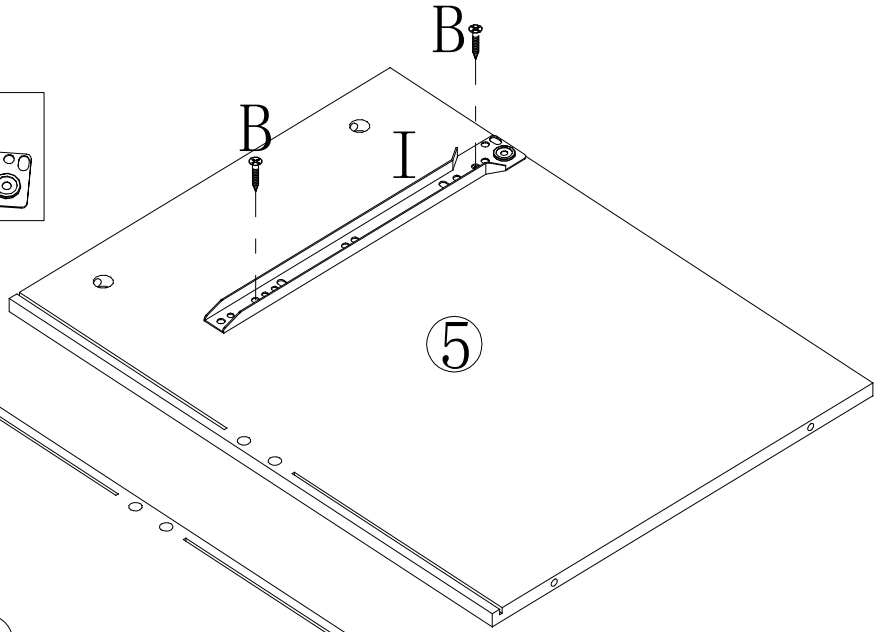
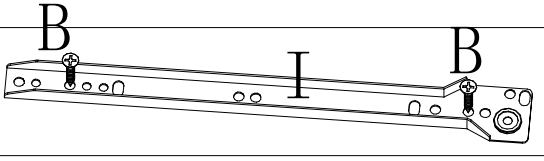


E*4 PCS

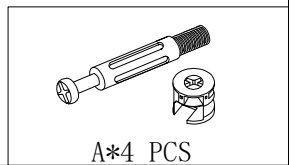
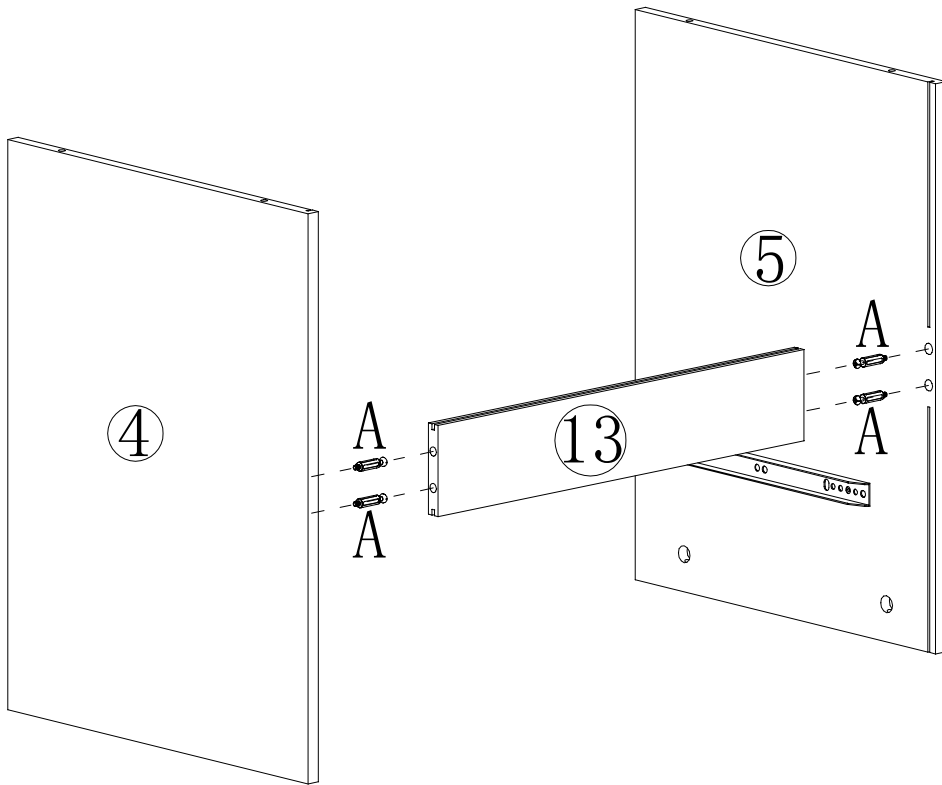


A*4 PCS

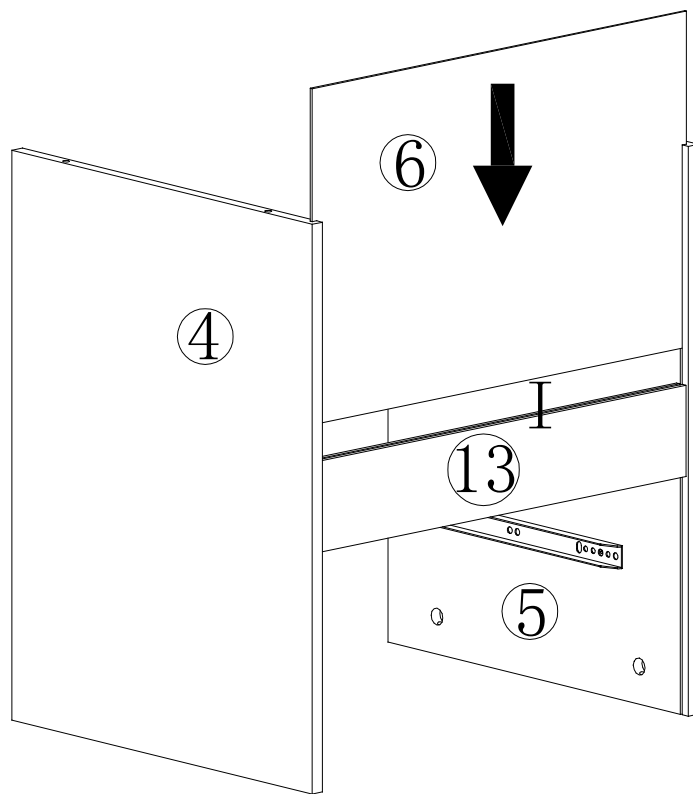
STEP 2



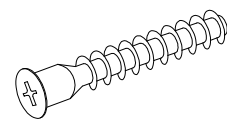
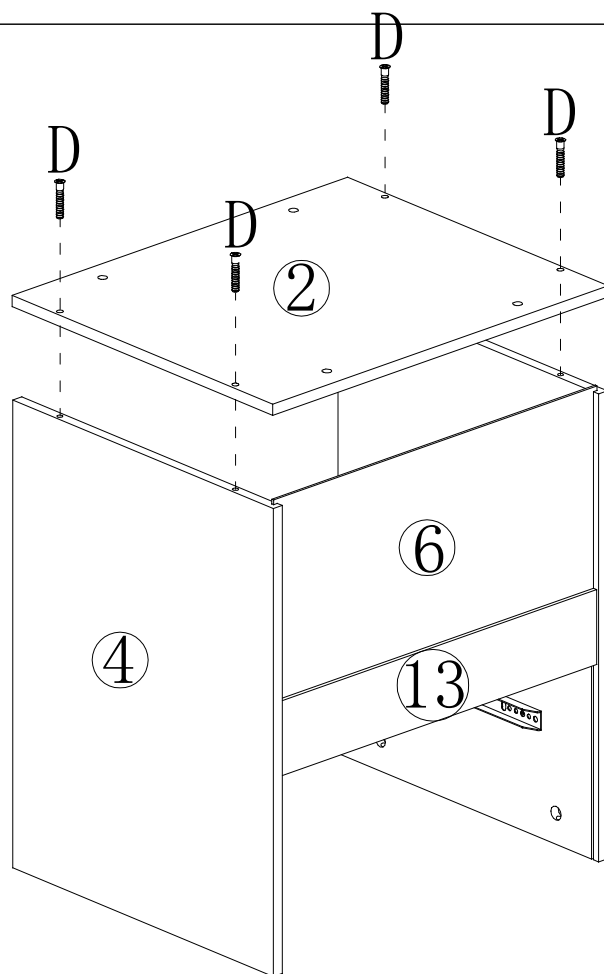
STEP 3



STEP 4

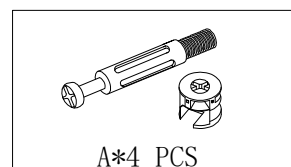
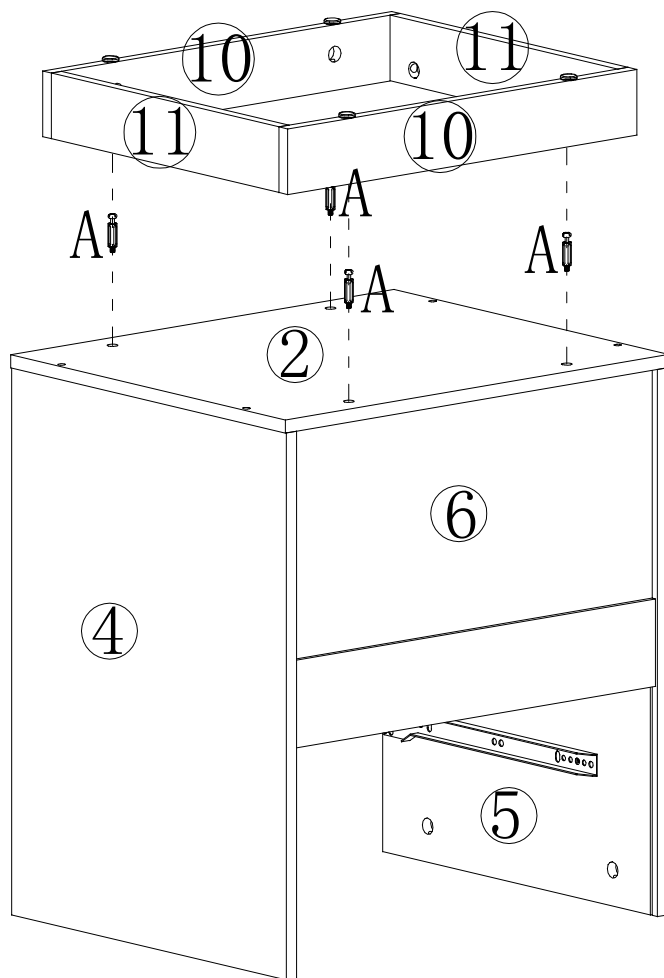


STEP 5

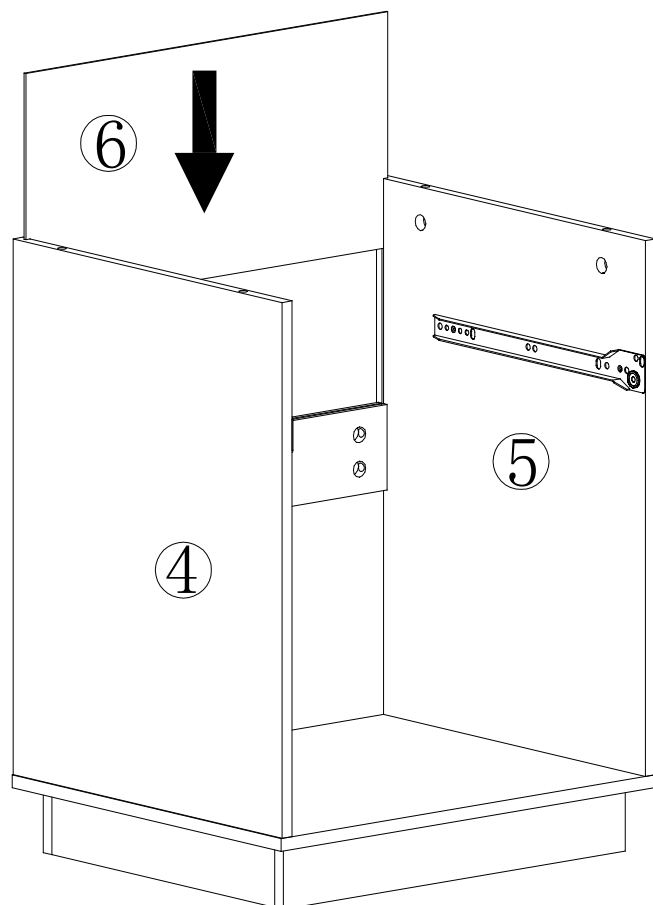


D*4 PCS

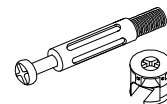
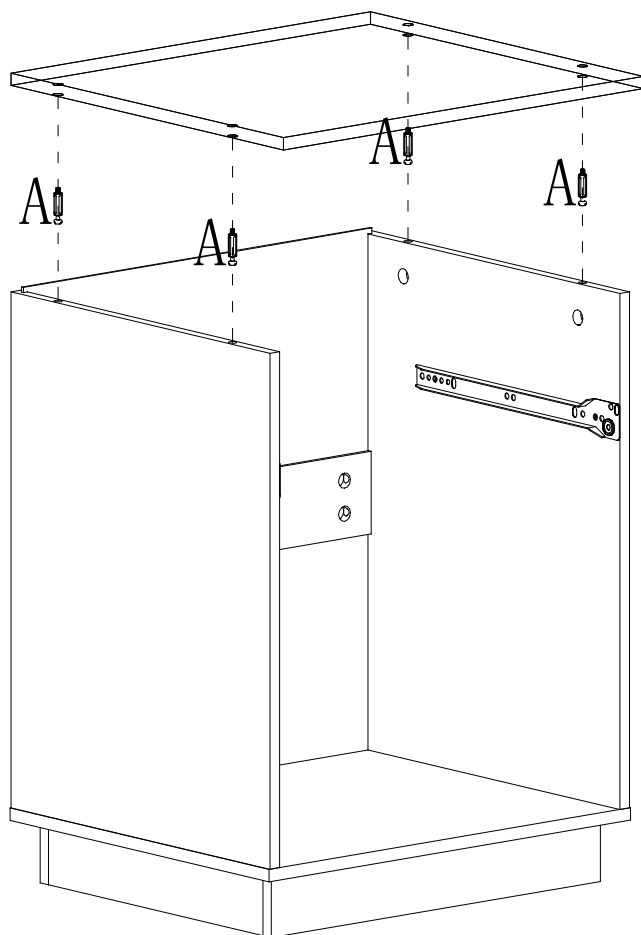
STEP 6



STEP 7

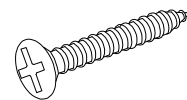
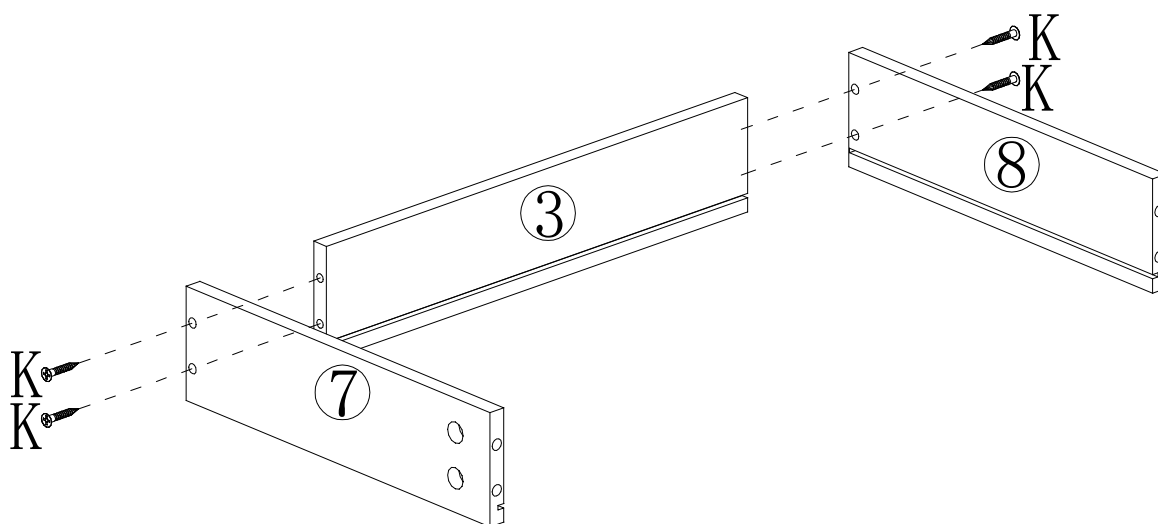


STEP 8



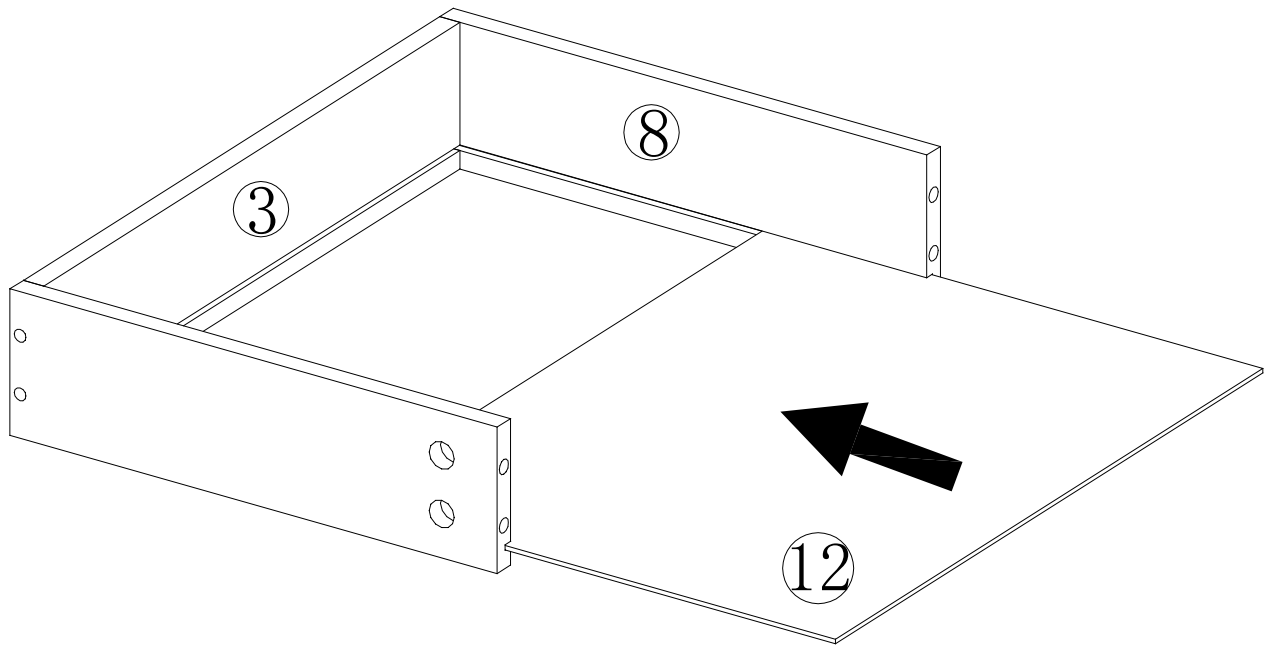
A*4 PCS

STEP 9

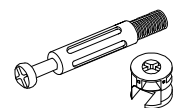
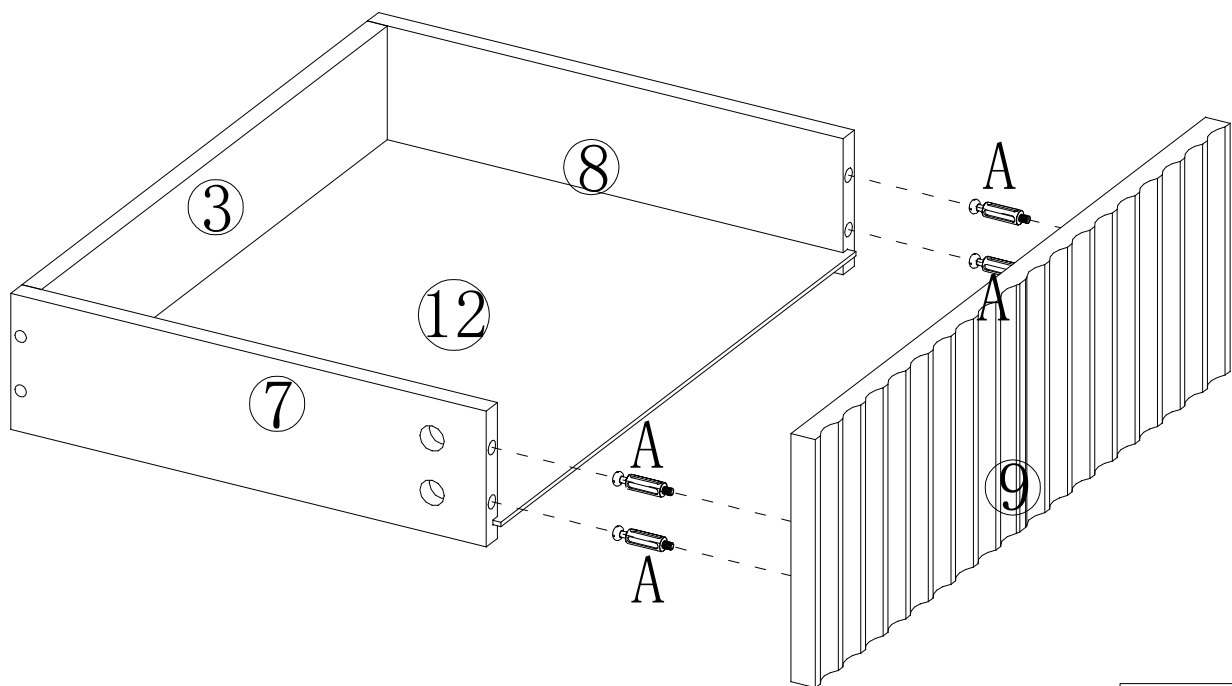


K*4 PCS

STEP 10

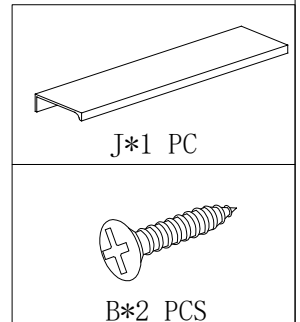
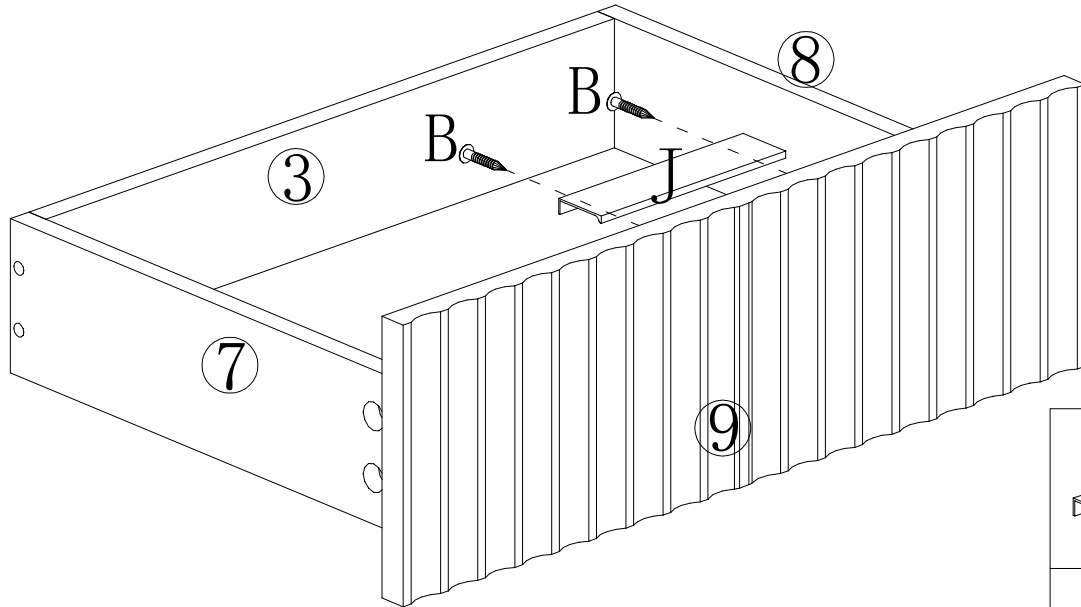


STEP 11



A*4 PCS

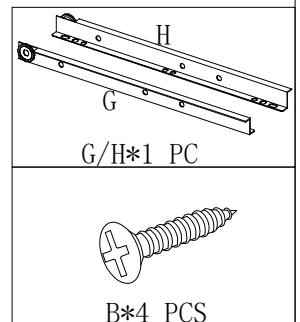
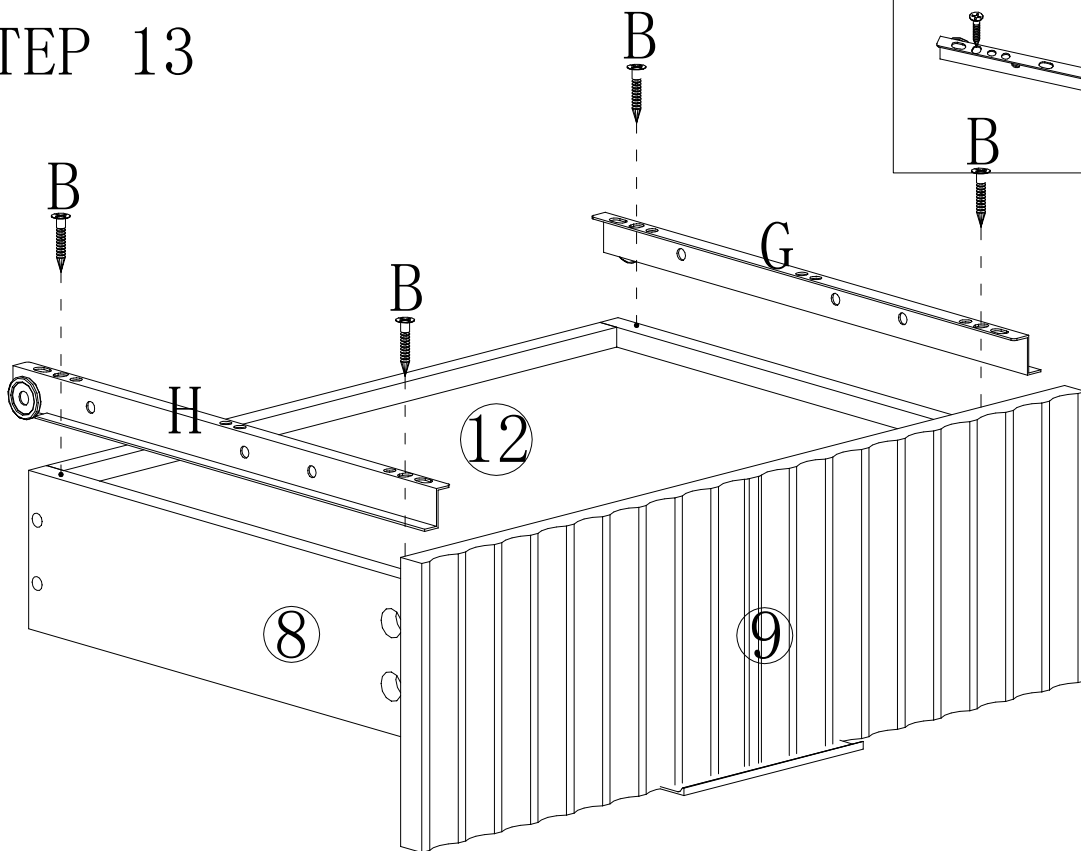
STEP 12



J*1 PC

B*2 PCS

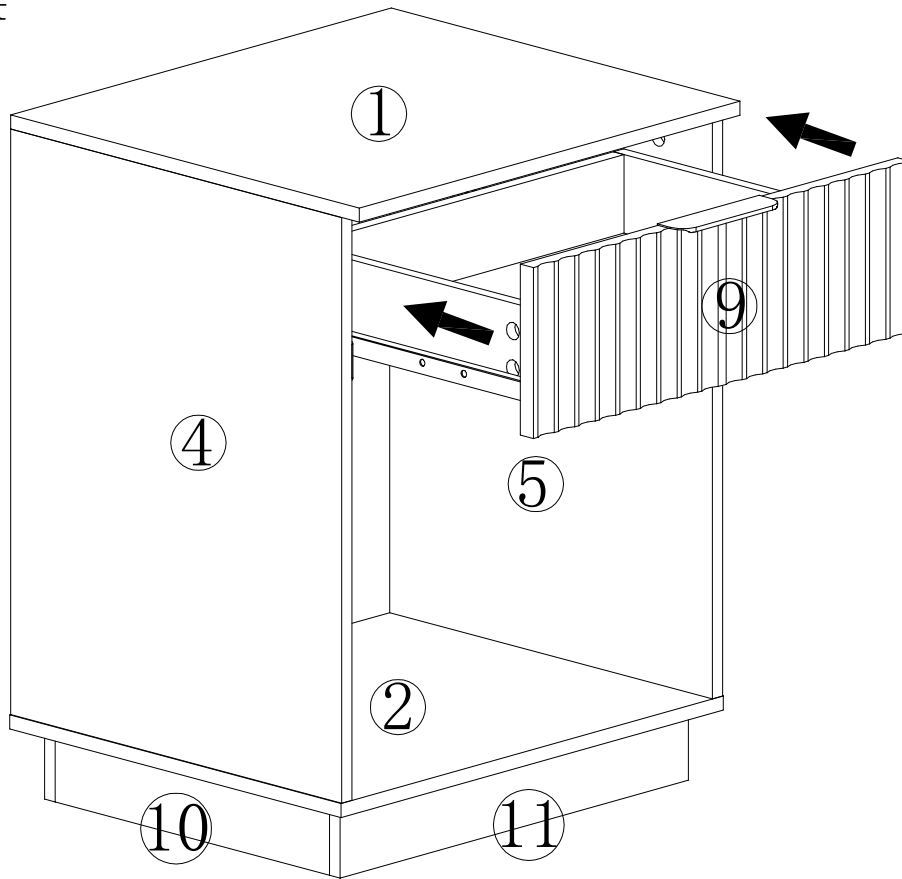
STEP 13



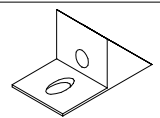
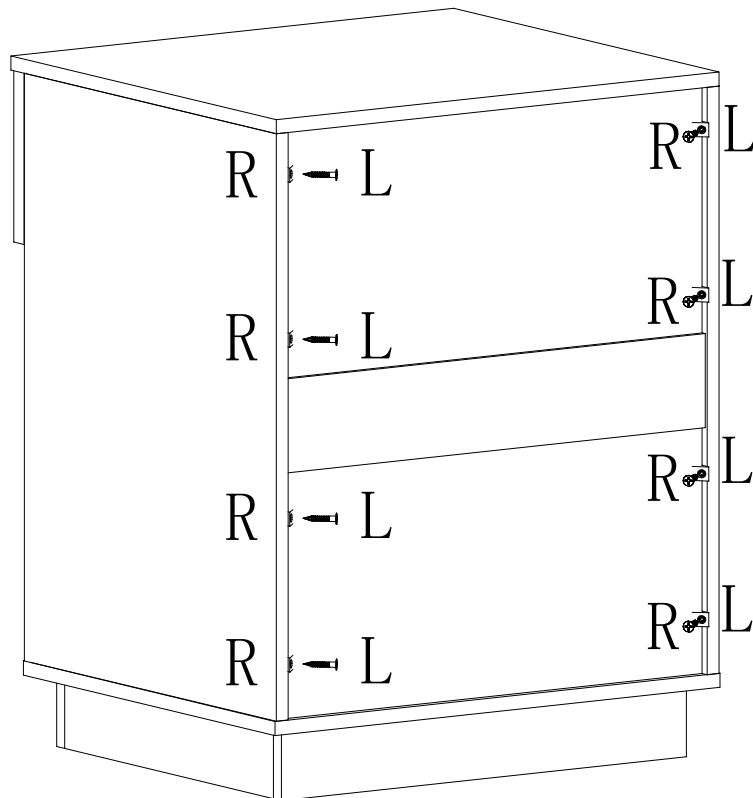
G/H*1 PC

B*4 PCS

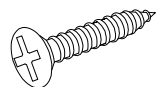
STEP 14



STEP 15



L*8 PCS



R*8 PCS