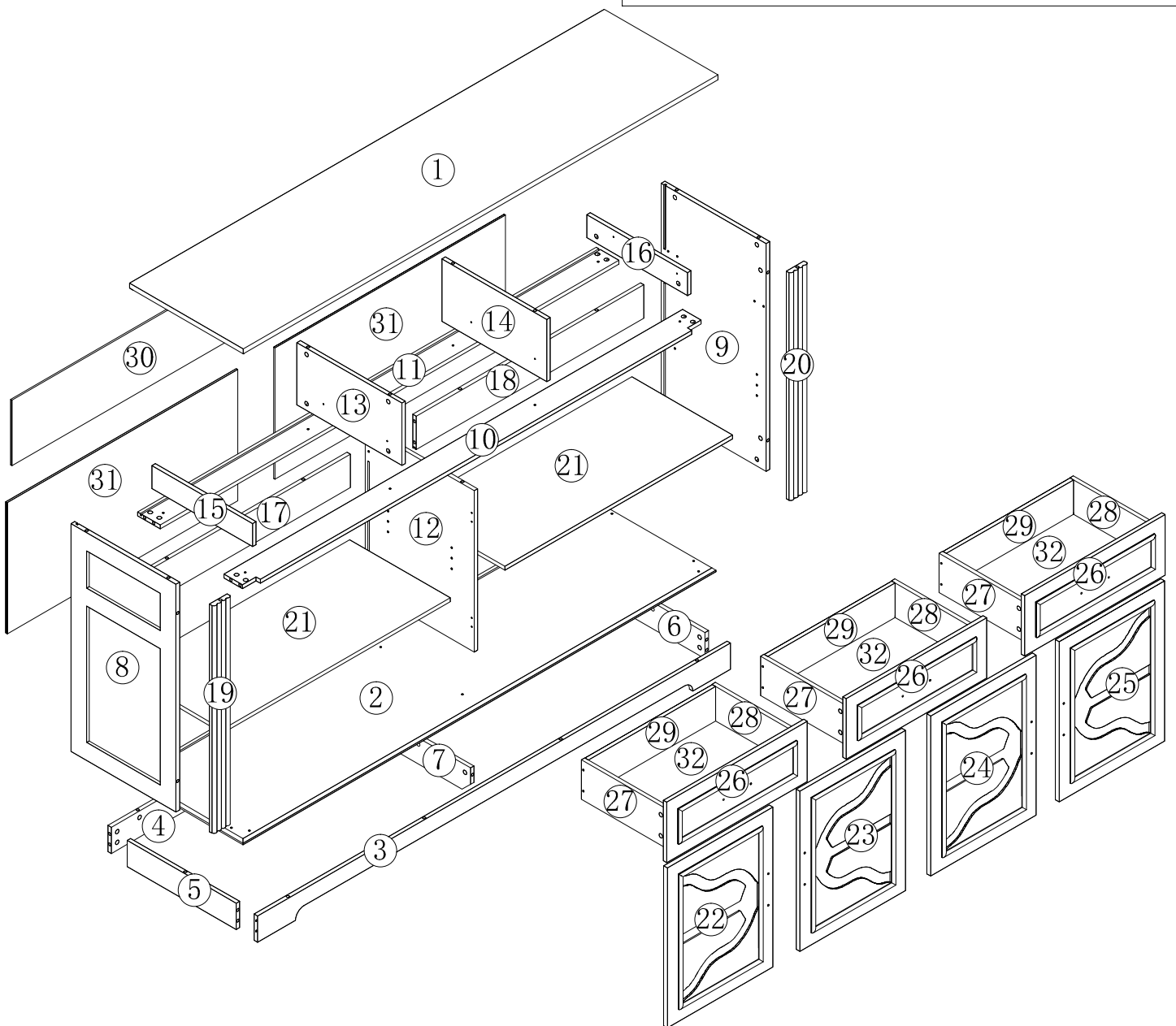
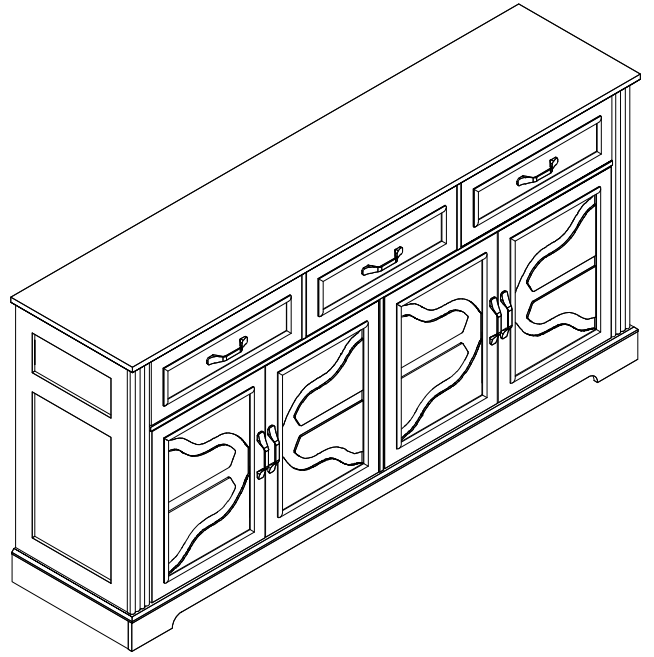
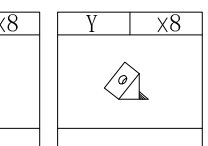
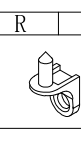
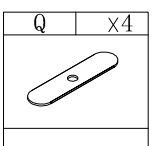
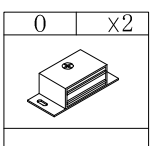
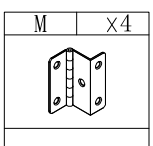
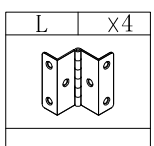
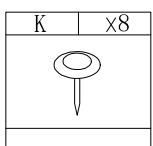
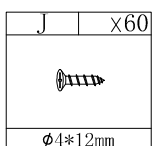
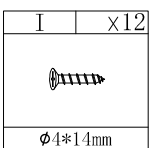
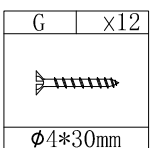
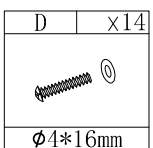
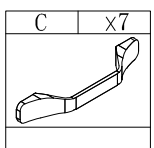
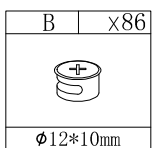
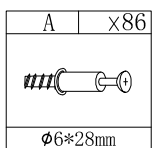
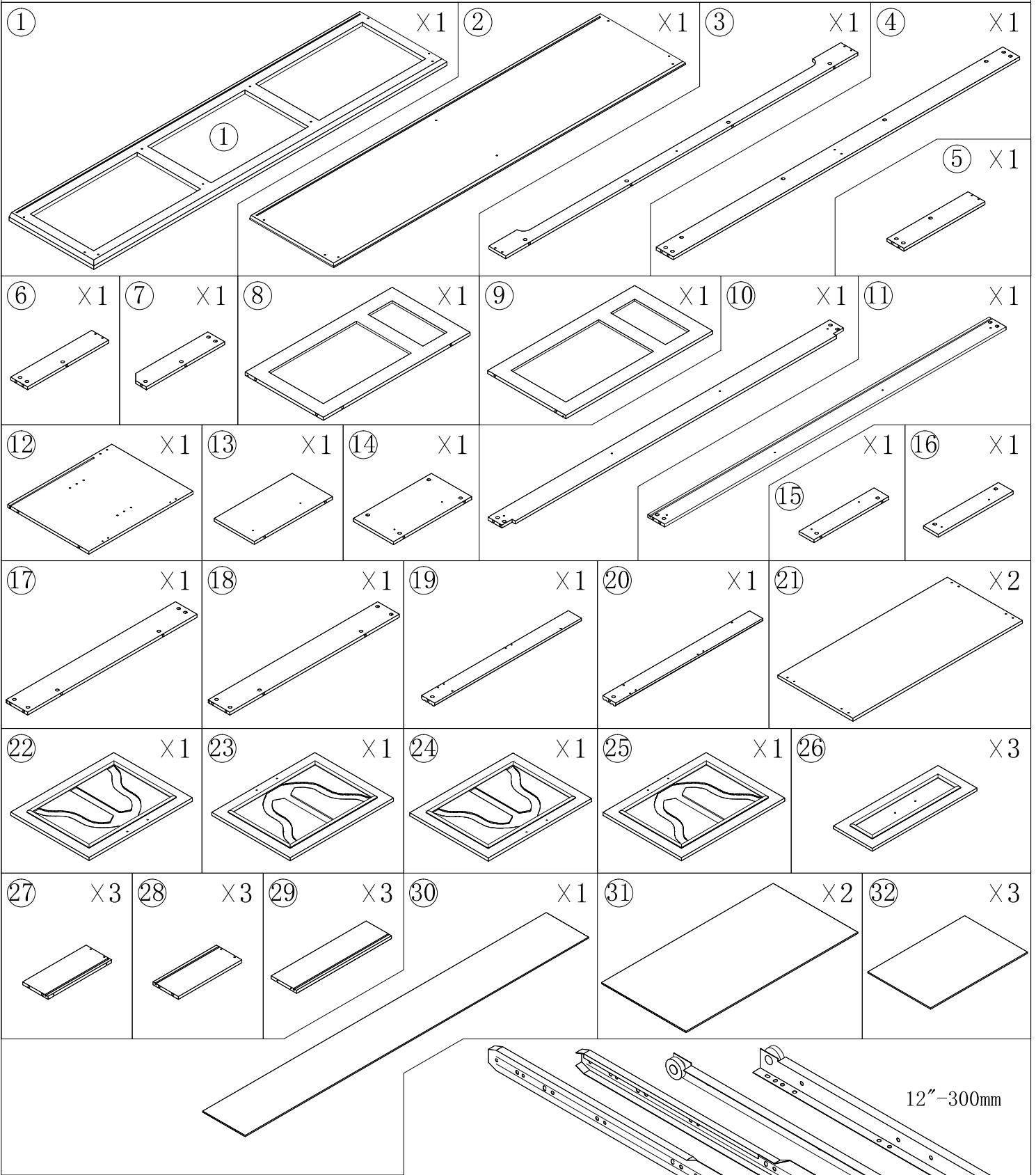


(TTAC023) ASSEMBLY INSTRUCTION P1

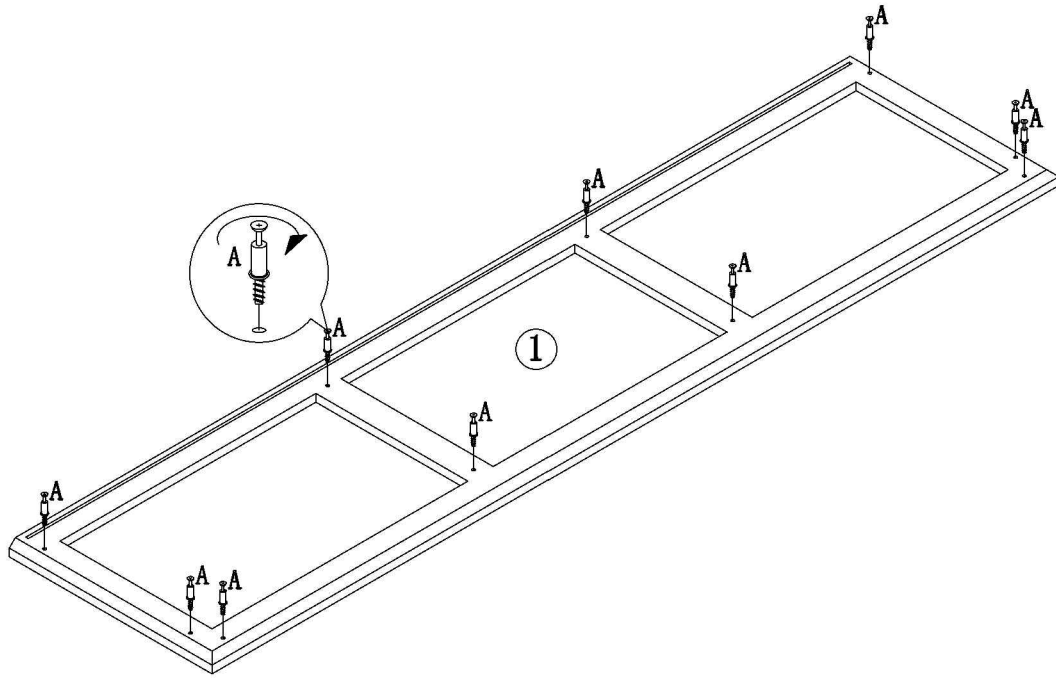


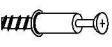
(TTAC023) ASSEMBLY INSTRUCTION

P2

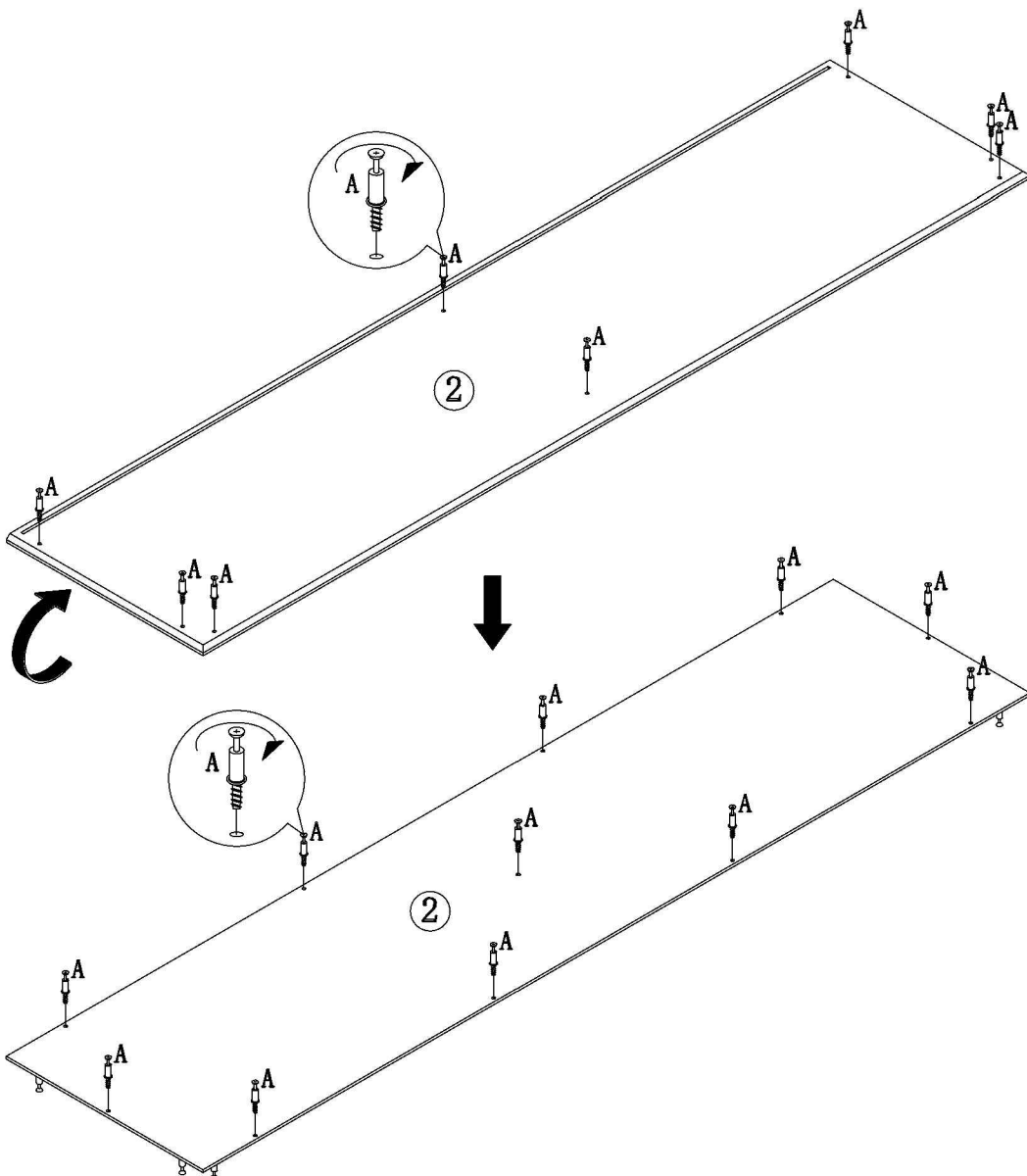


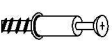
1



A	×10
	
ø6*28mm	

2

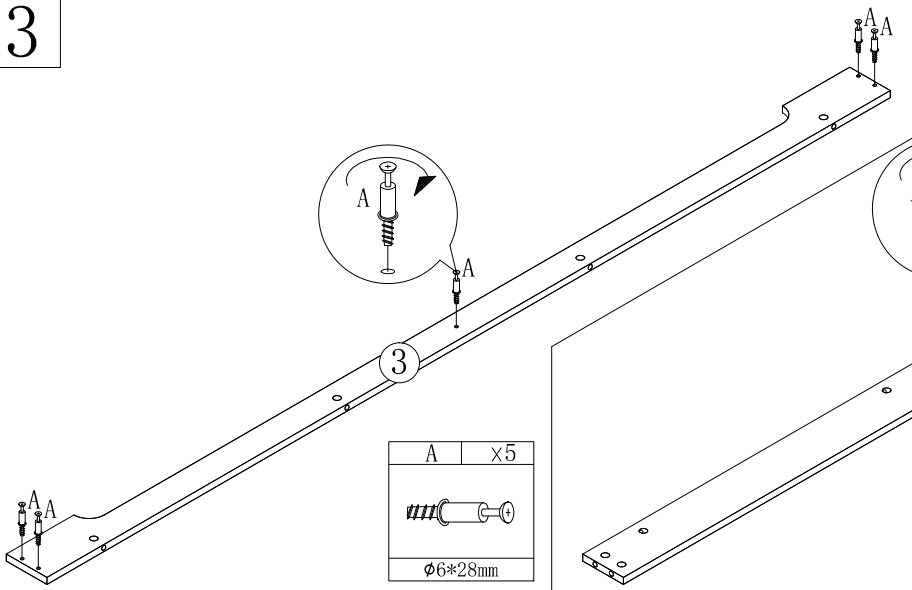


A	×19
	
ø6*28mm	

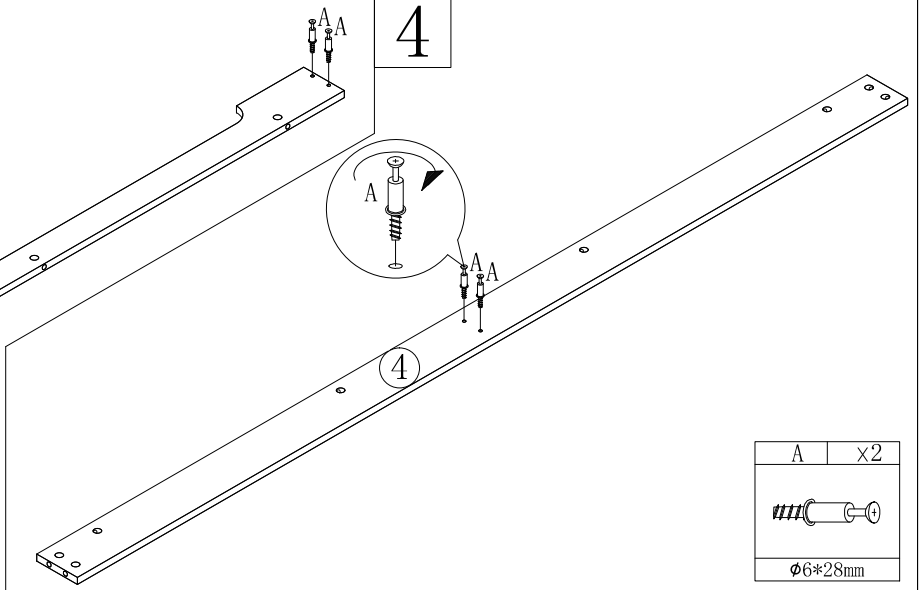
(TTAC023) ASSEMBLY INSTRUCTION

P4

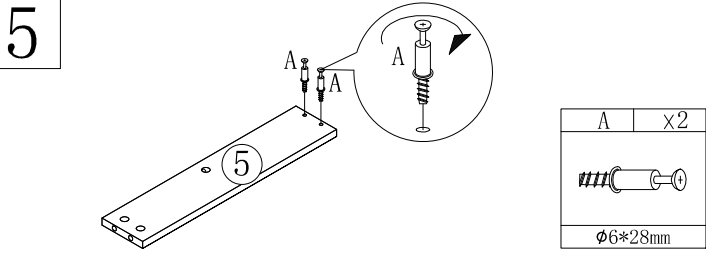
3



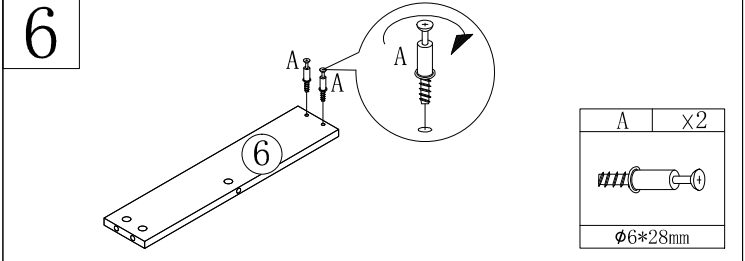
4



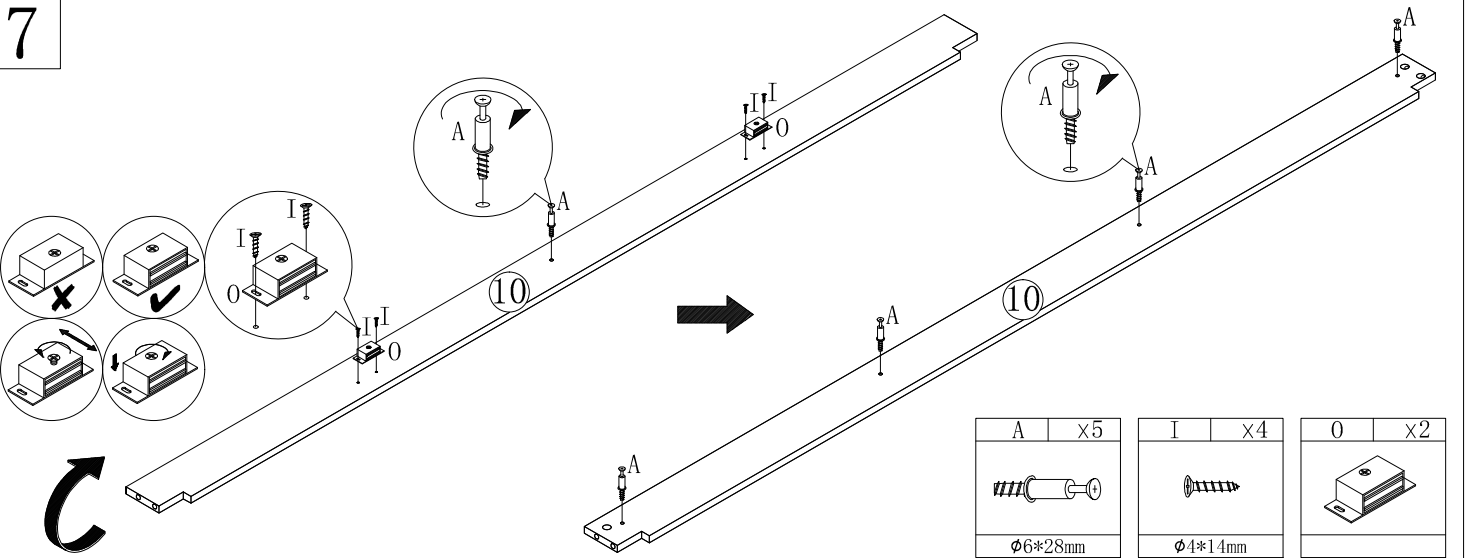
5



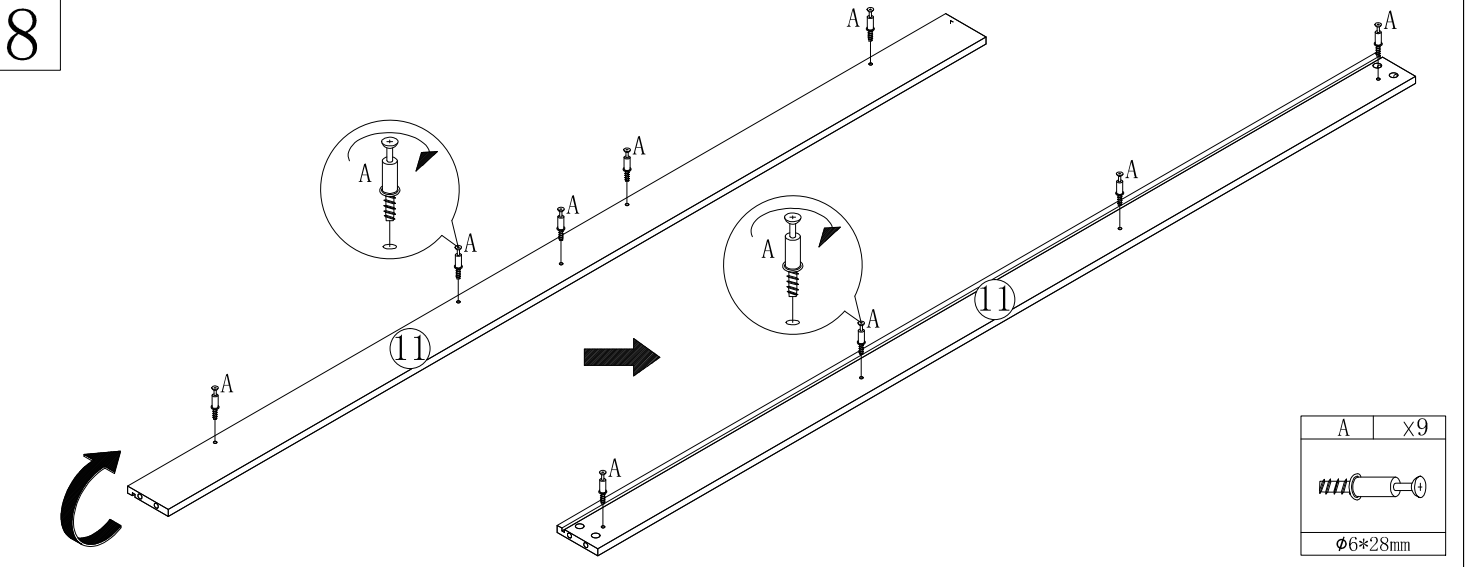
6



7

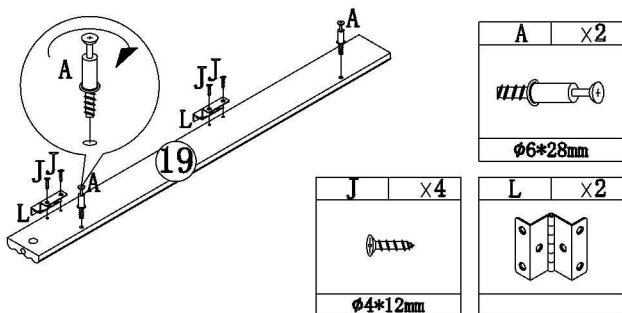


8

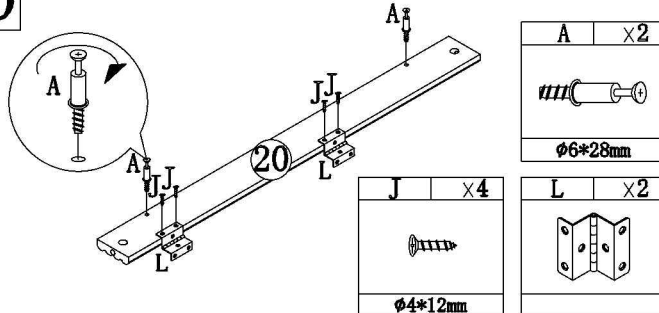


(TTAC023) ASSEMBLY INSTRUCTION P5

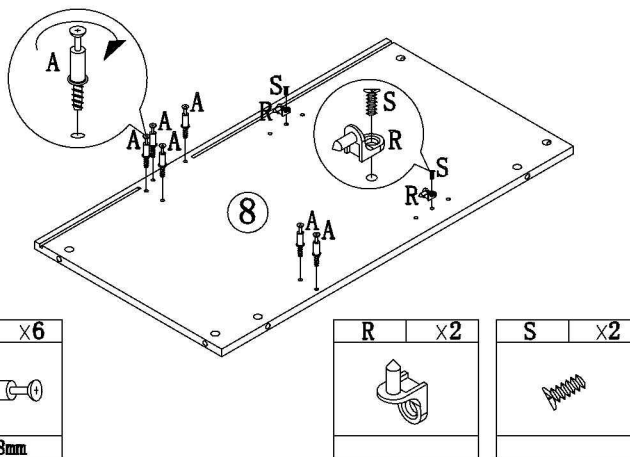
9



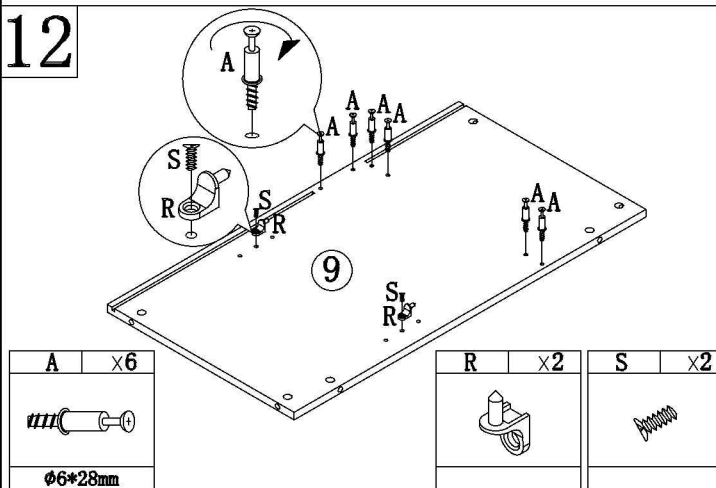
10



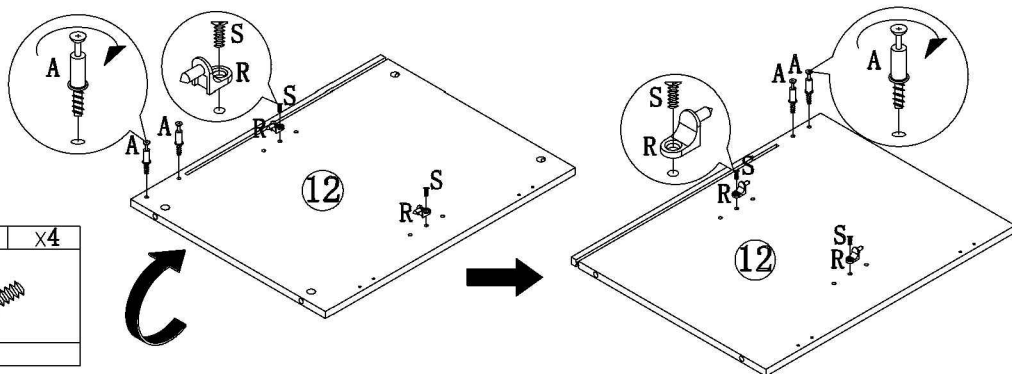
11



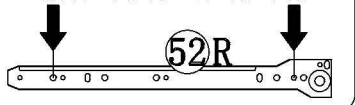
12



13



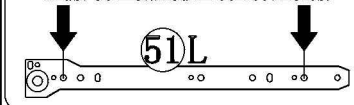
Must be installed in correct holes.



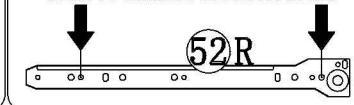
Must be installed in correct holes.



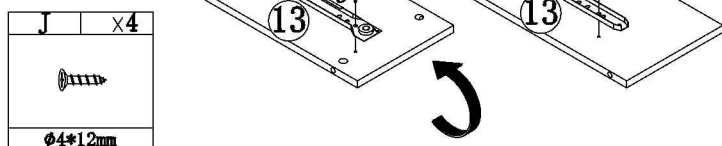
Must be installed in correct holes.



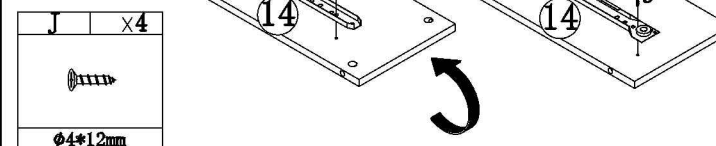
Must be installed in correct holes.



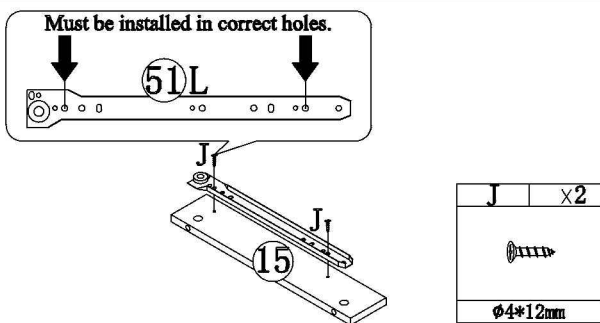
14



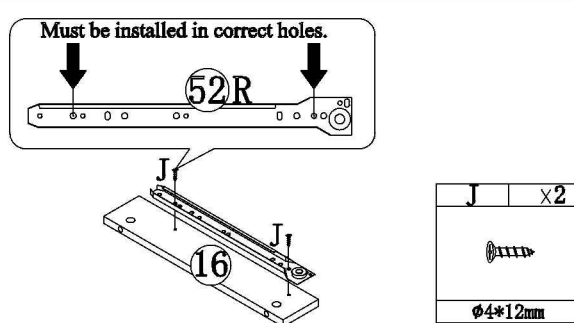
15



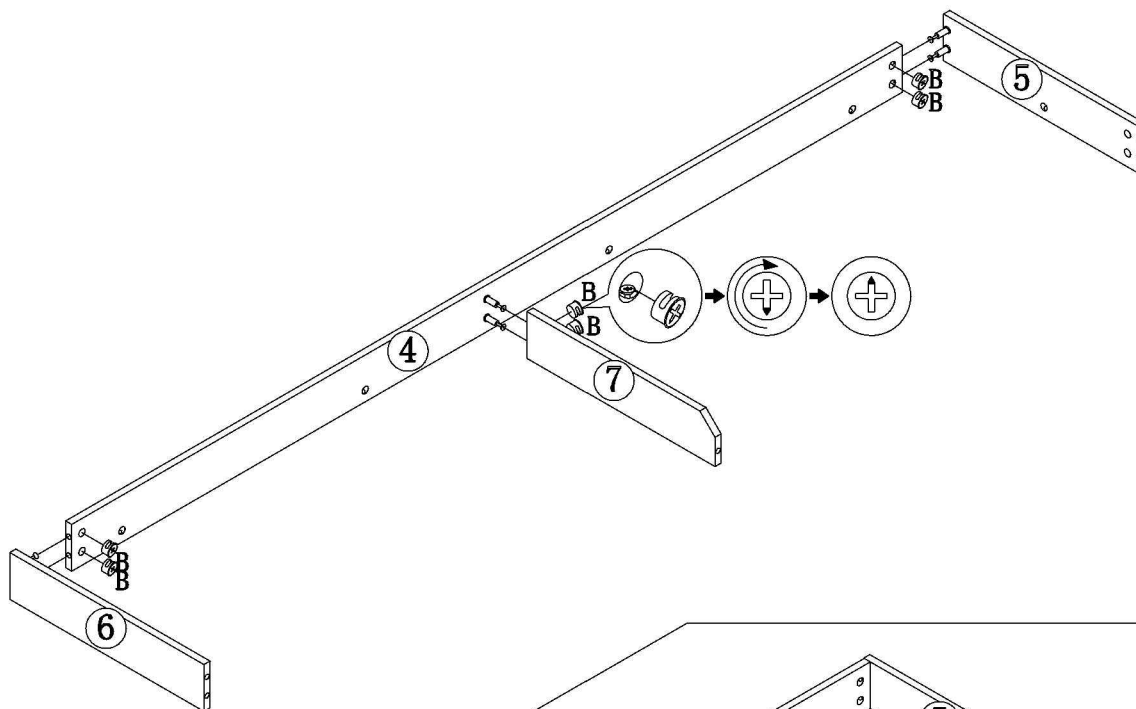
16




17

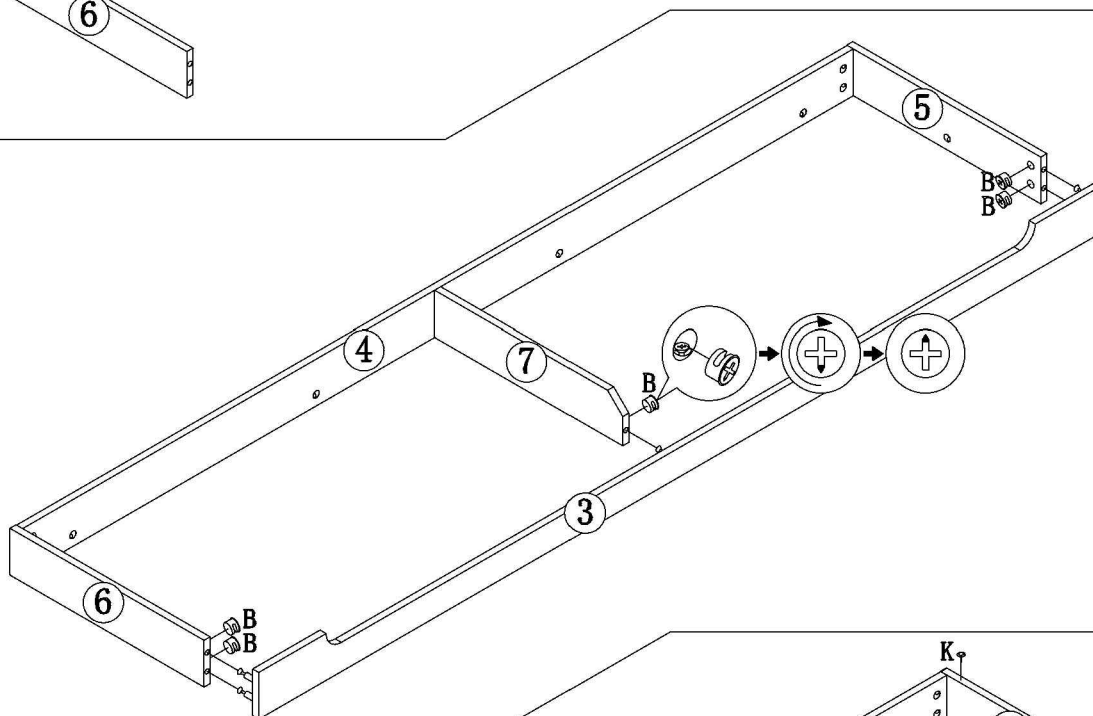



18



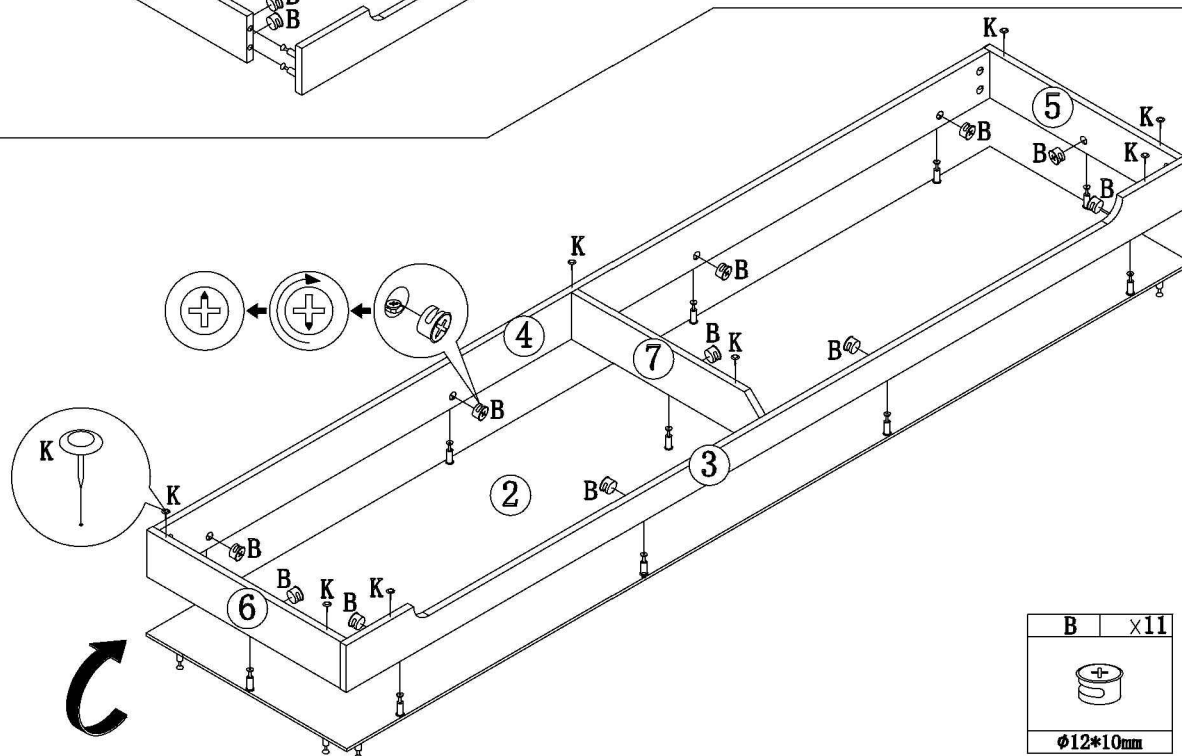
B	x6
	
φ12*10mm	


19




B	x5
	
φ12*10mm	

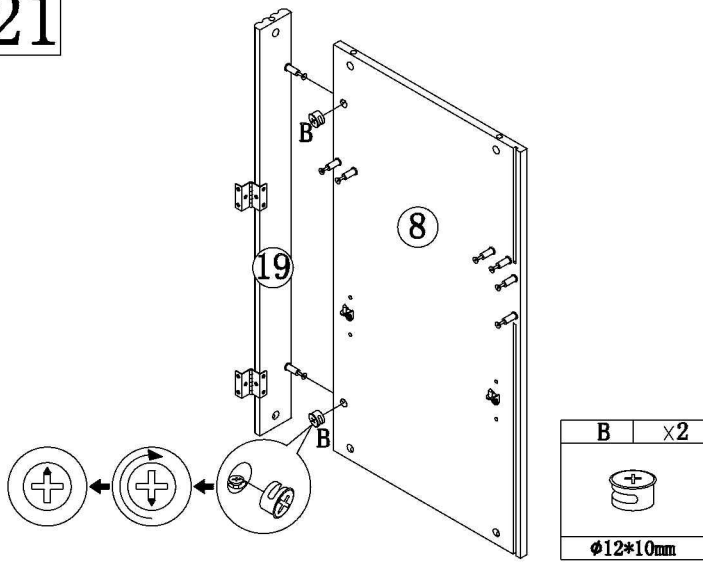
20



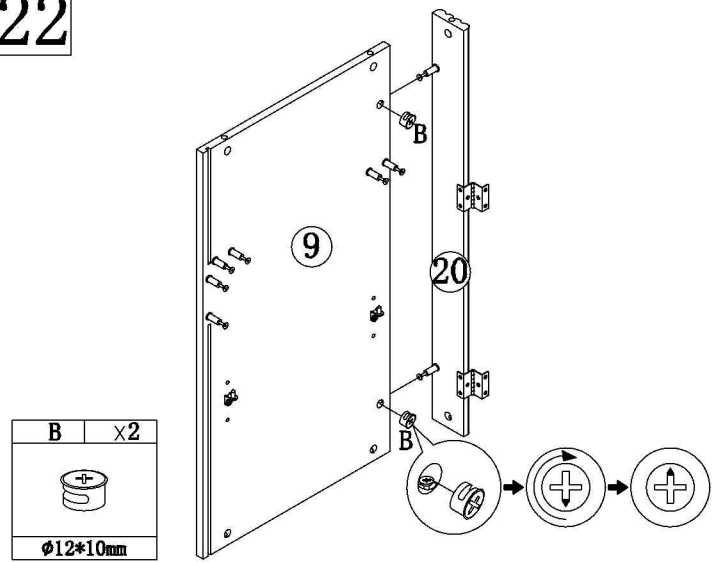
B	x11
	
φ12*10mm	

K	x8
	

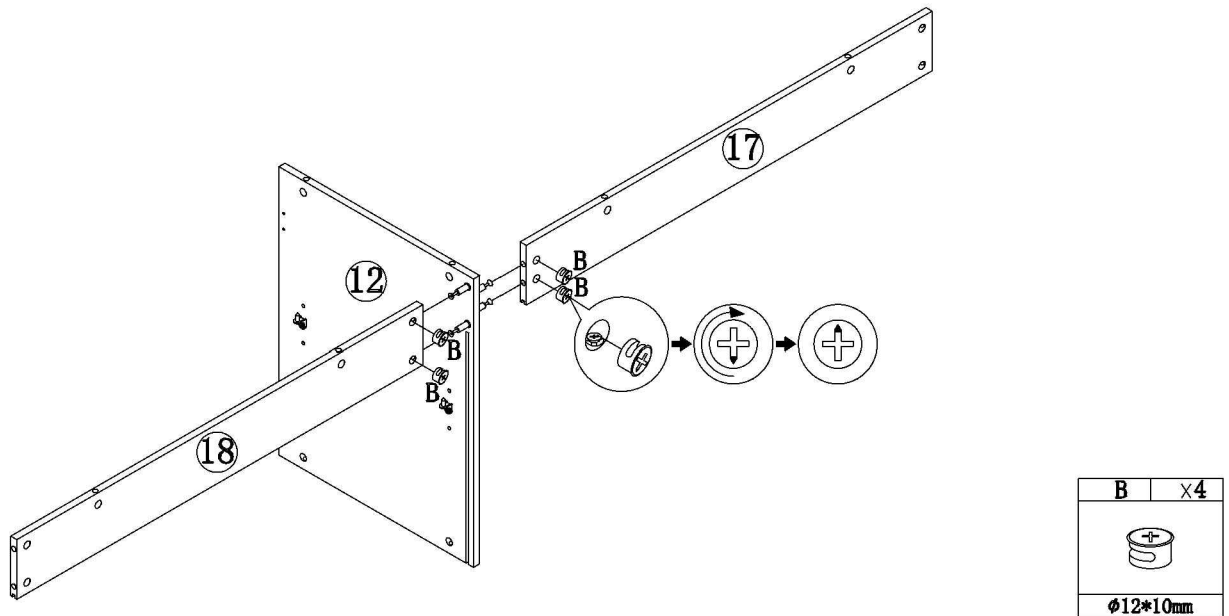
21



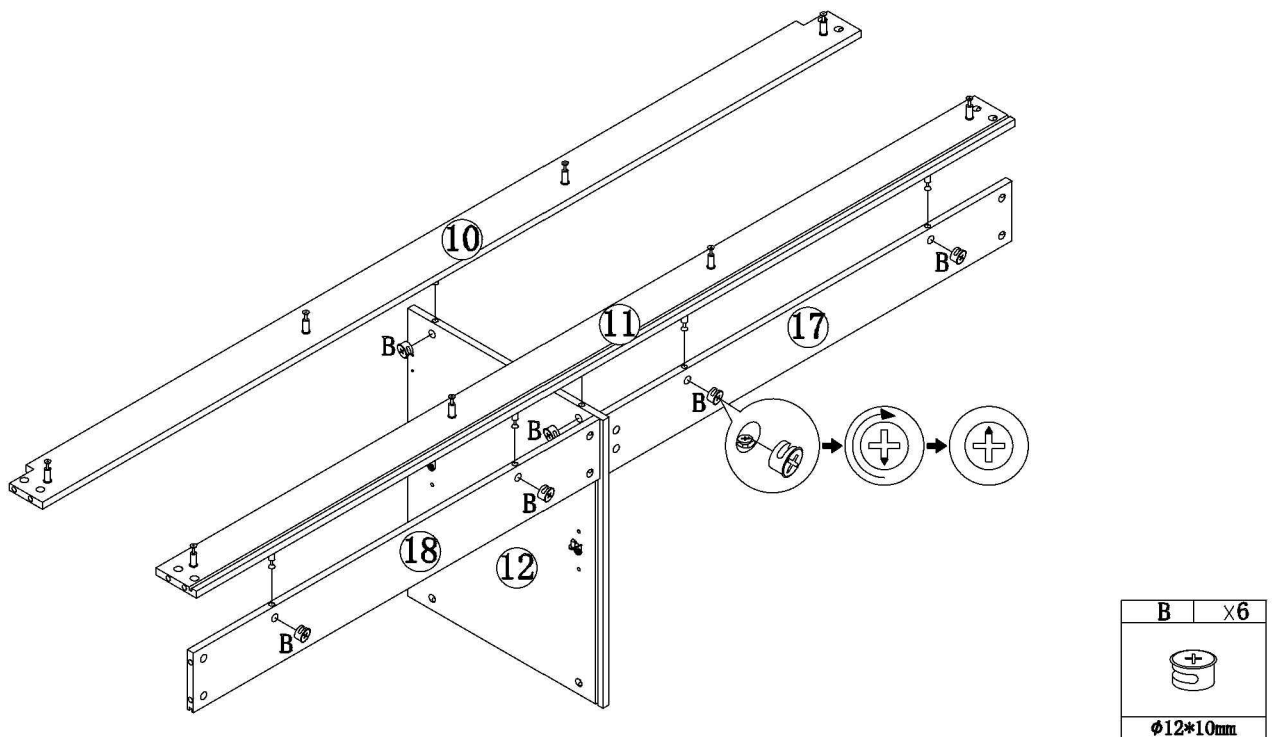
22



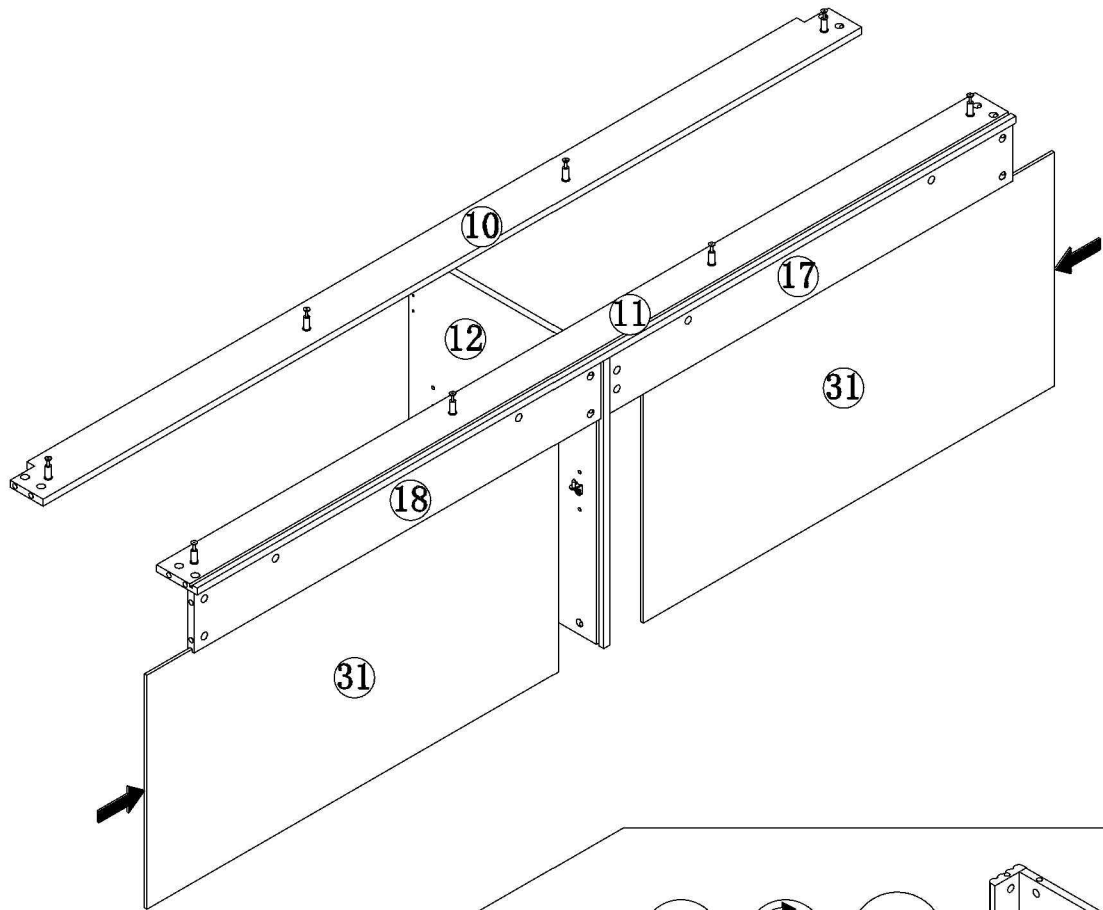
23



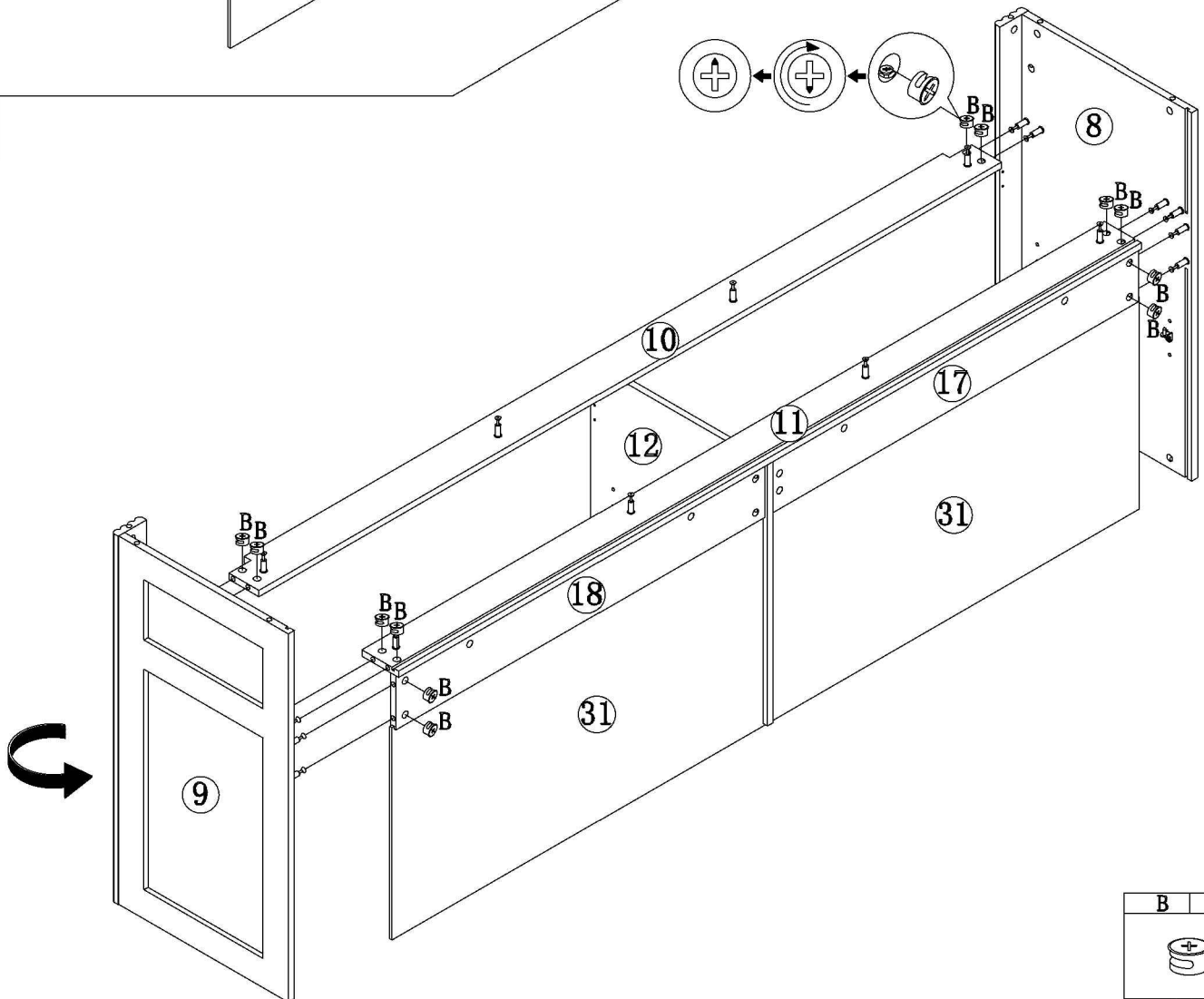
24



25

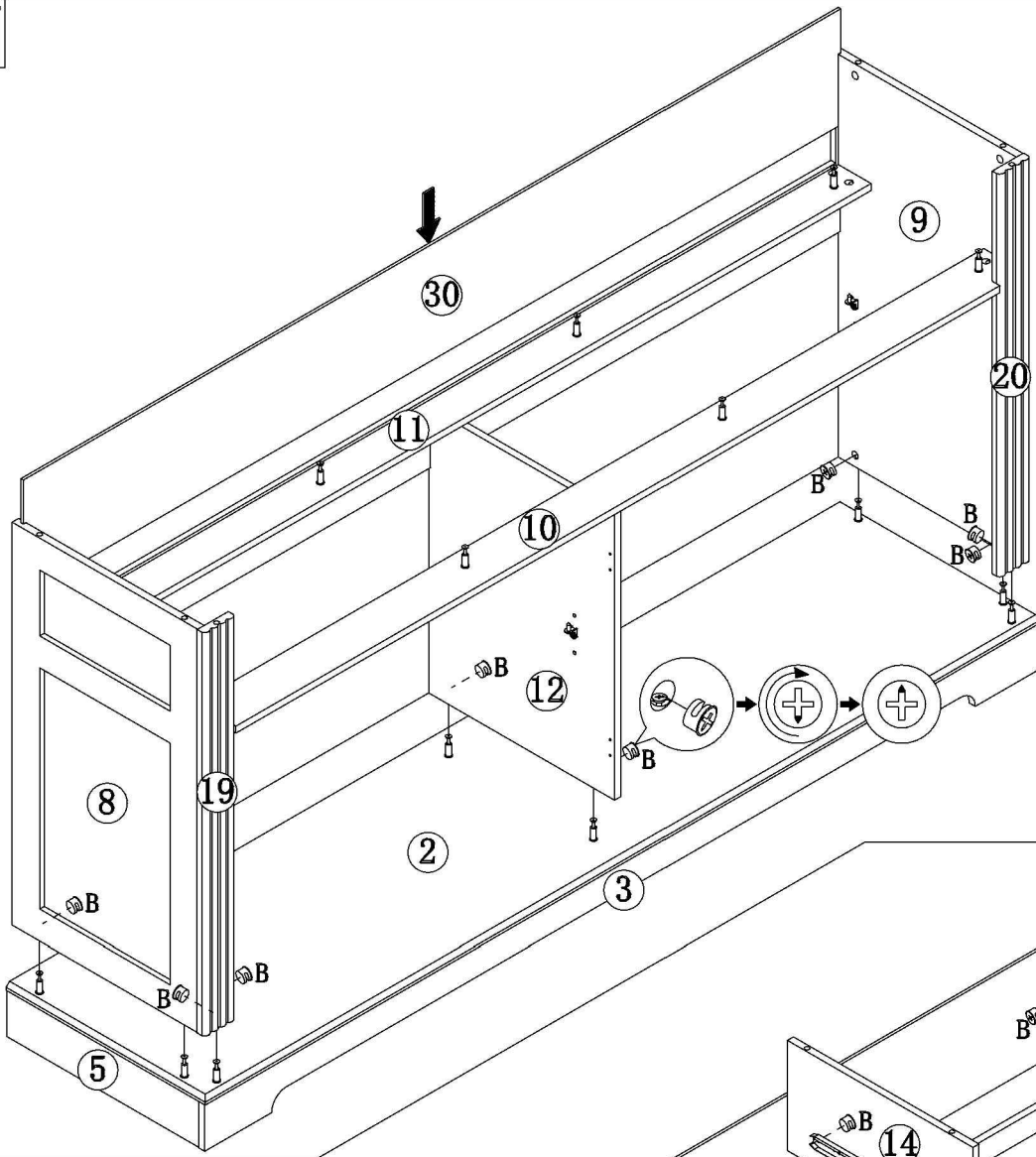


26



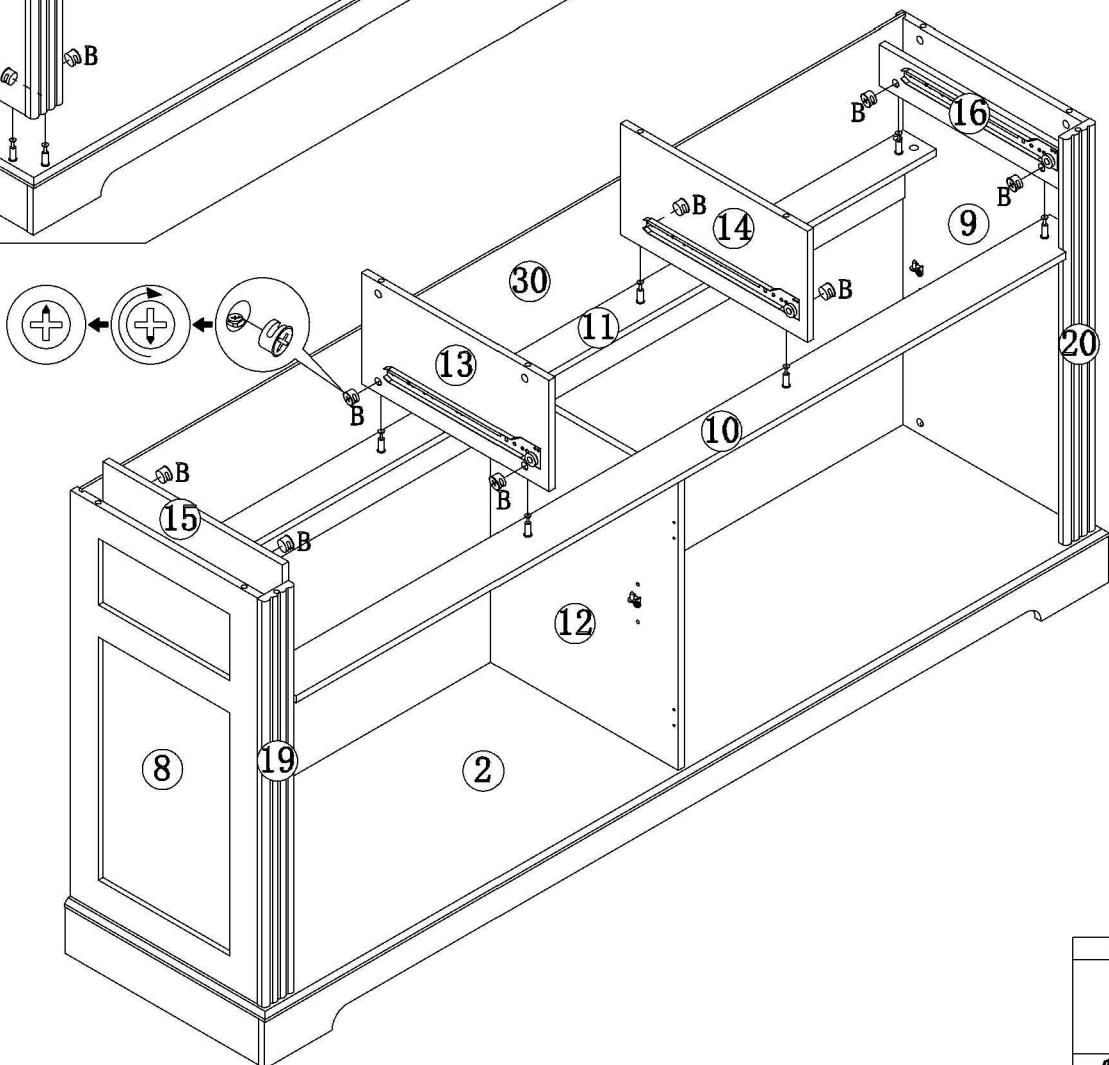
B	x12
Ø12*10mm	

27



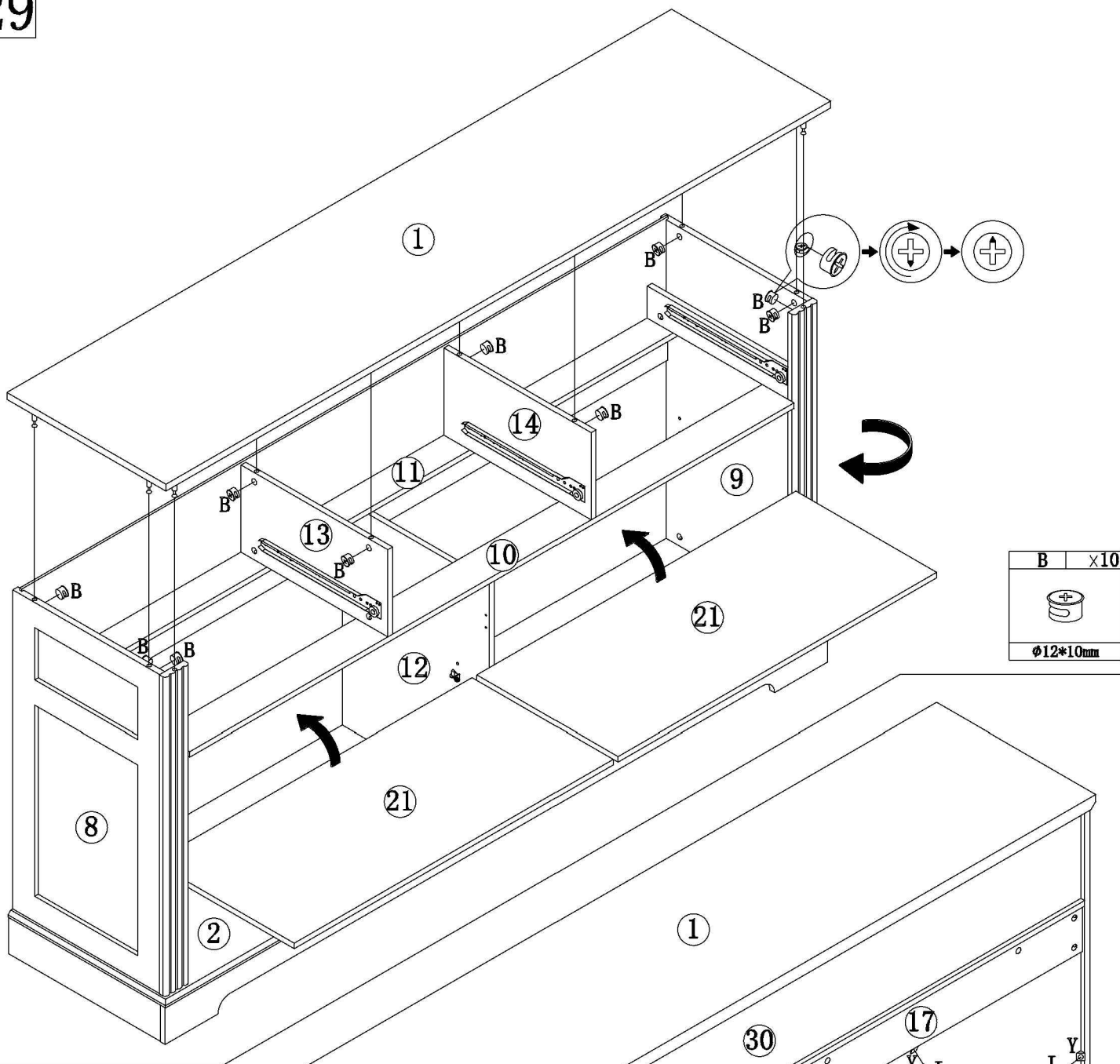
B	×8
φ12*10mm	

28

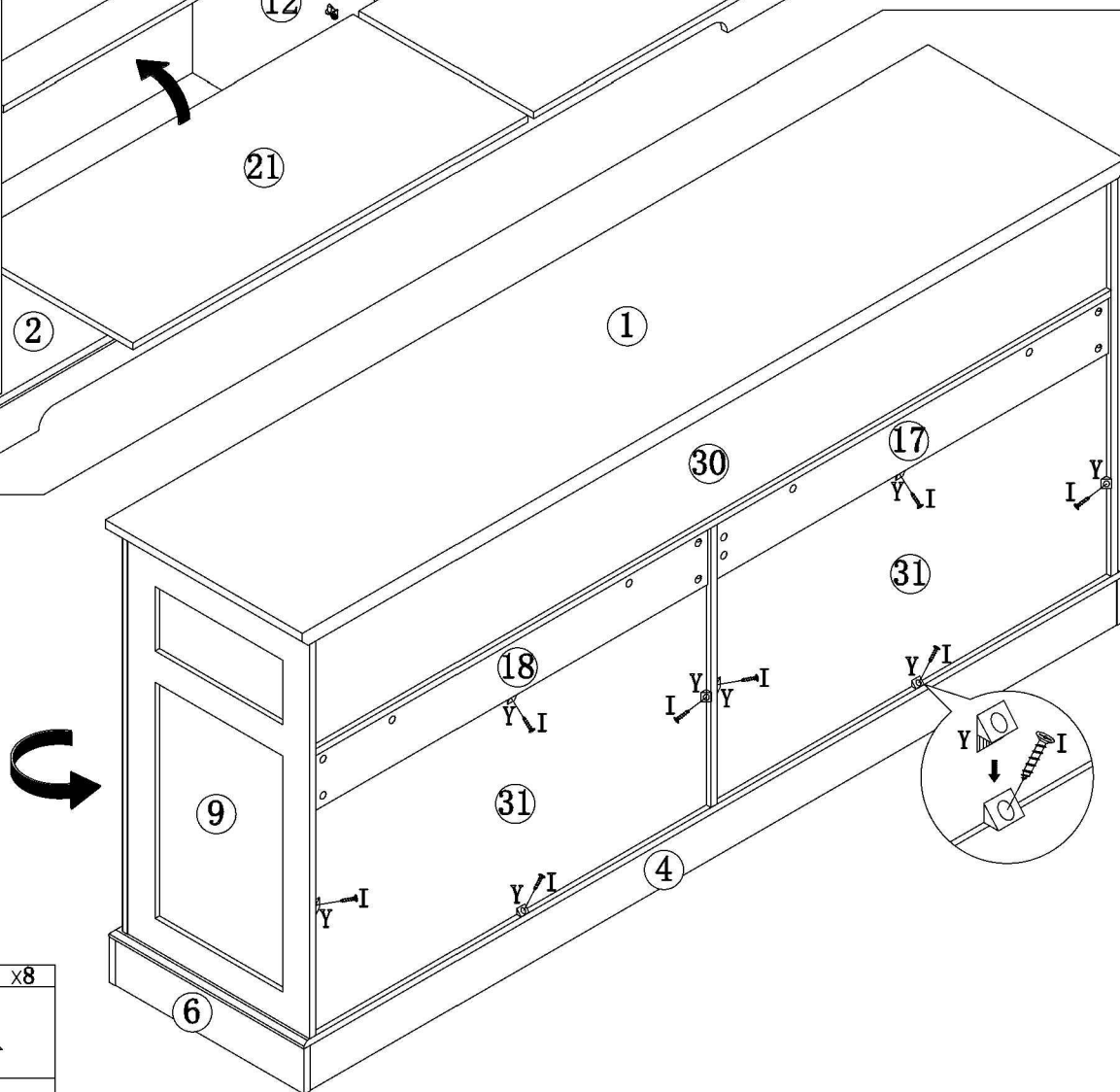



B	×8
φ12*10mm	


29



30

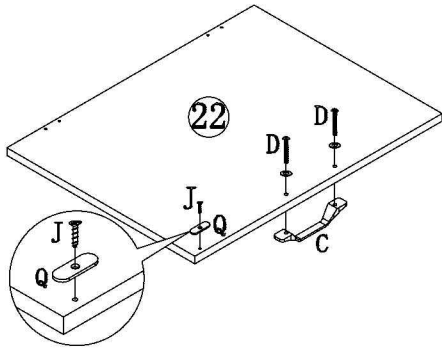


I	x8
	
Ø4*14mm	

Y	x8
	

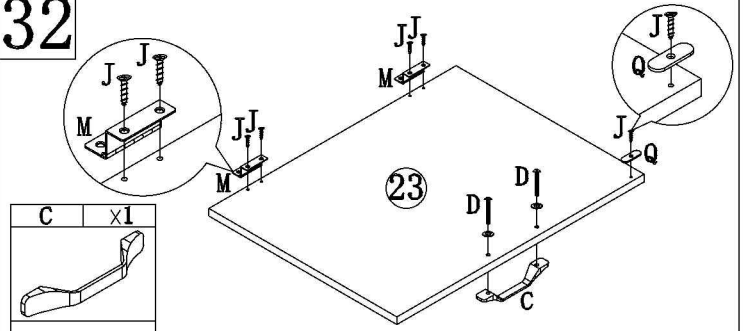
(TTAC023) ASSEMBLY INSTRUCTION P11

31



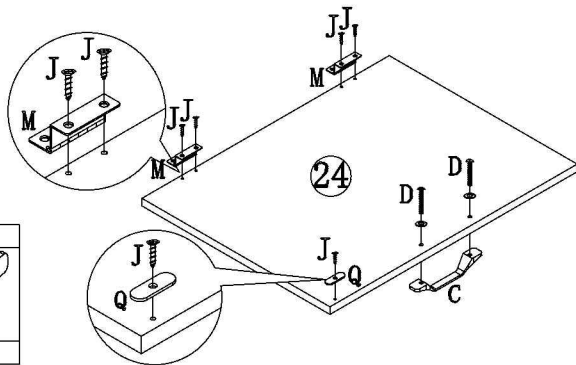
C	x1	D	x2	J	x1	Q	x1
		φ4*16mm		φ4*12mm			

32



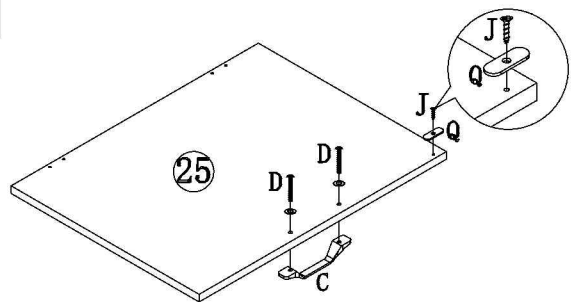
C	x1	D	x2	M	x2	J	x5	Q	x1
		φ4*16mm				φ4*12mm			

33



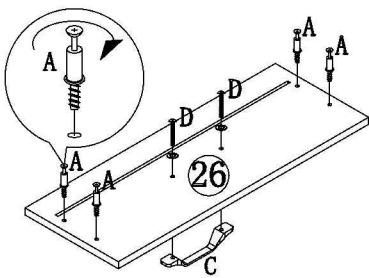
C	x1	D	x2	M	x2	J	x5	Q	x1
		φ4*16mm				φ4*12mm			

34



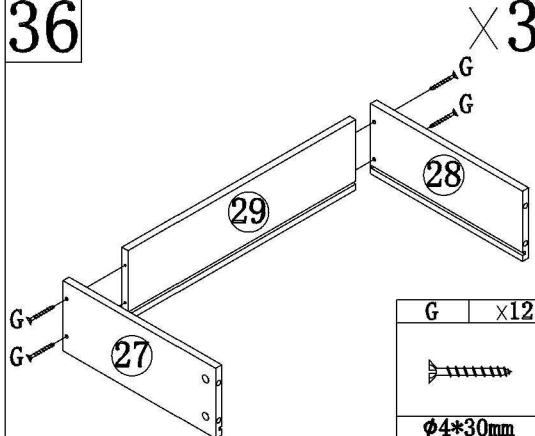
C	x1	D	x2	J	x1	Q	x1
		φ4*16mm		φ4*12mm			

35



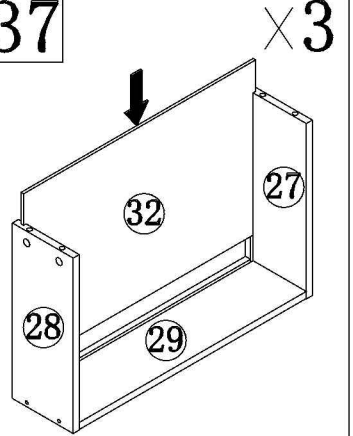
A	x12	C	x3	D	x6
φ6*28mm				φ4*16mm	

36

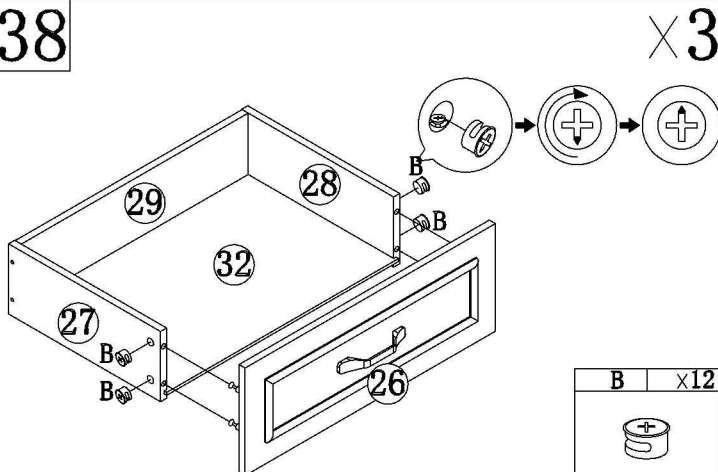


G	x12
φ4*30mm	

37



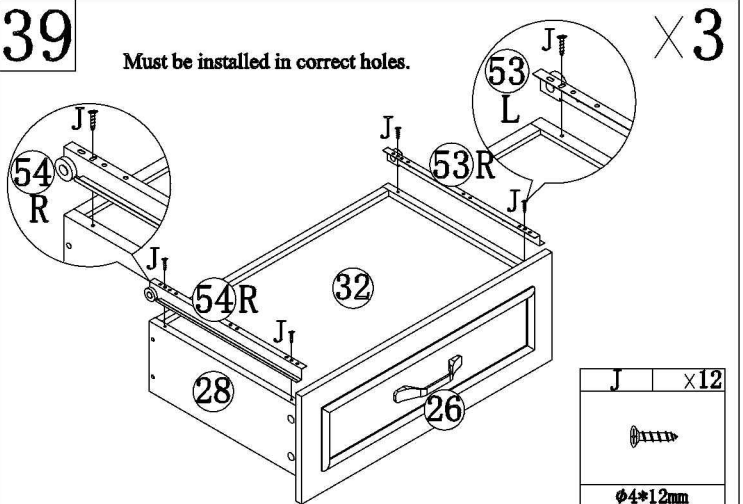
38



B	x12
φ12*10mm	

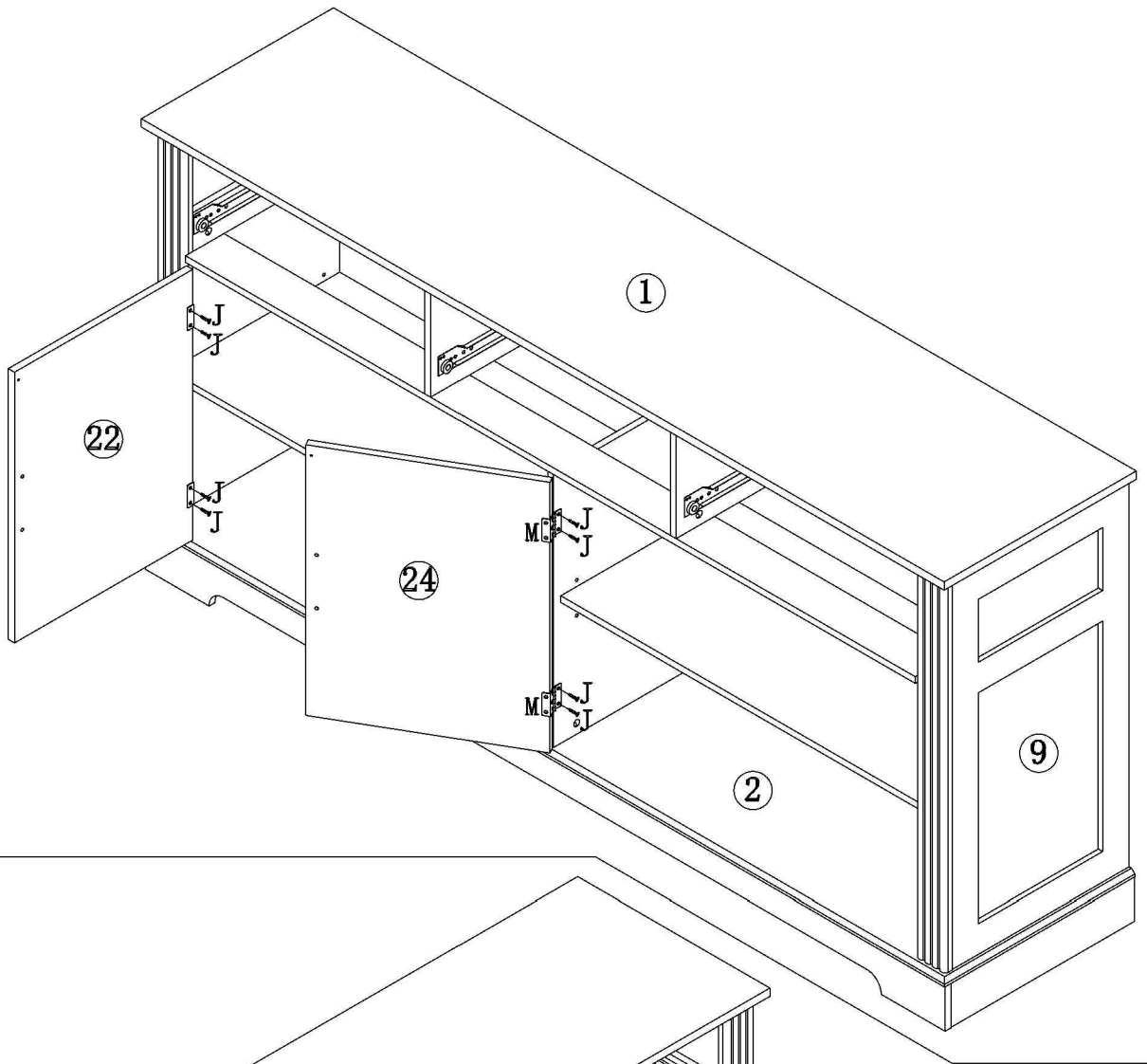
39

Must be installed in correct holes.

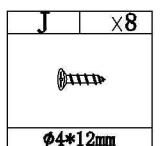
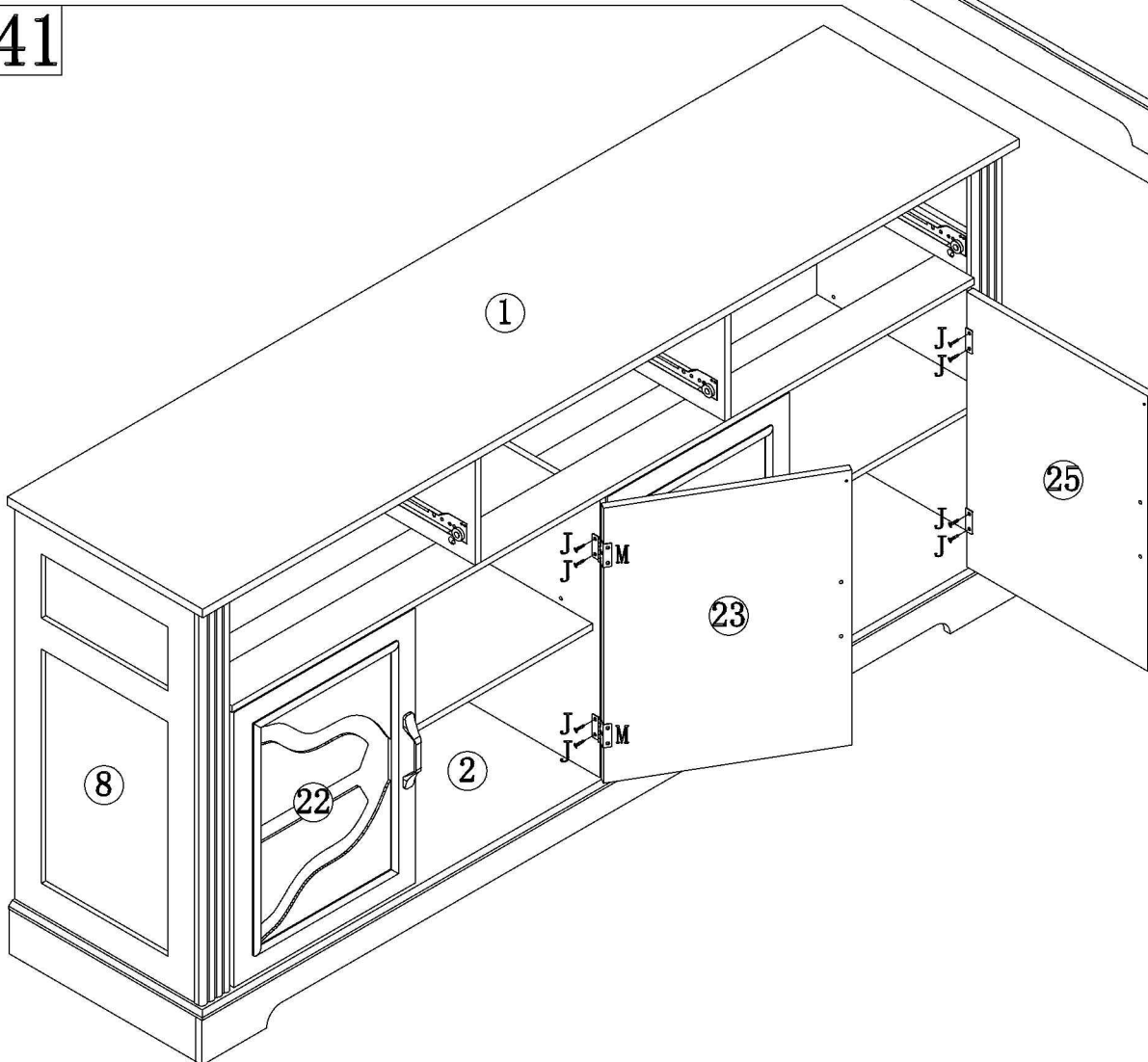


J	x12
φ4*12mm	

40



41



42

