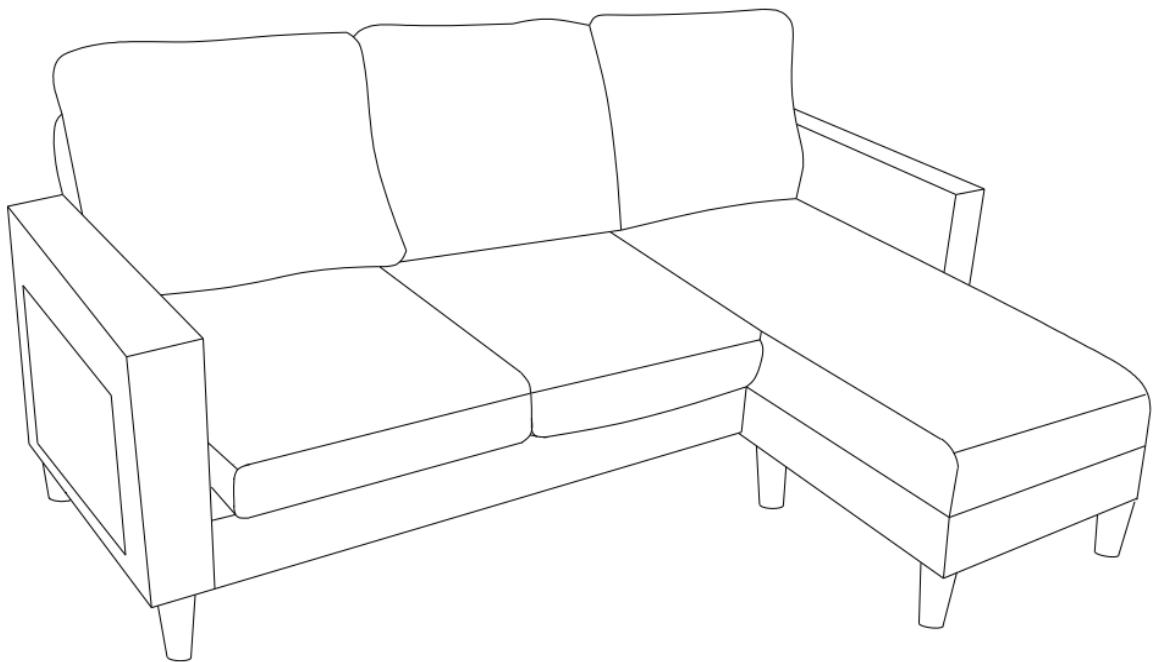


INSTRUCTION MANUAL

L SHAPED SECTIONAL

SKU:V-SF22-0050C



CUSTOMER SERVICE

Questions, Missing parts, Assembly help?

No need to return the product, we will gladly help and ship your replacement parts free of charge.

If you wish to return the product, please contact the retailer where the product was purchased.

PRE-ASSEMBLY INFORMATION

Please read this manual carefully before beginning assembly of this product. Keep this manual for future reference.

NOTICE

- Please keep this manual and hand it over when you transfer the product.
- Please read the following instructions carefully and use the product accordingly.
- This summary may not include every detail of all variations and considered steps. Please contact us when further information and help are needed.
- Please do not exceed the weight limitations of this item.
- Do not stand on or use any part of this item as a step ladder.
- If any parts are missing, broken, damaged, or worn, stop using this item until repairs are made and/or factory replacement parts are installed.
- Please assemble the item in a spacious room and do not place the unwrapped product directly on the ground to avoid damage.
- Do not use this item in a way inconsistent with the manufacturer' s instructions as this could void the product warranty.
- Periodically inspect screw tightness while the product is in use. If necessary, retighten to ensure structural integrity.
- To avoid the potential dangers of suffocation, please keep all parts and packaging (films, plastic bags and foam,etc.) away from children and pets.
- Do not use or store this item in the proximity of open flame or flammable/combustible chemicals.
- Do not expose product to direct sunlight exposure or rain,and do not put it in a humid place. Failure to do so may accelerate the distortion or discoloration.



TWO PERSON ASSEMBLY



UP TO 45 MINUTES FOR ASSEMBLY



ONE SEAT WEIGHT LIMITATION:300LBS

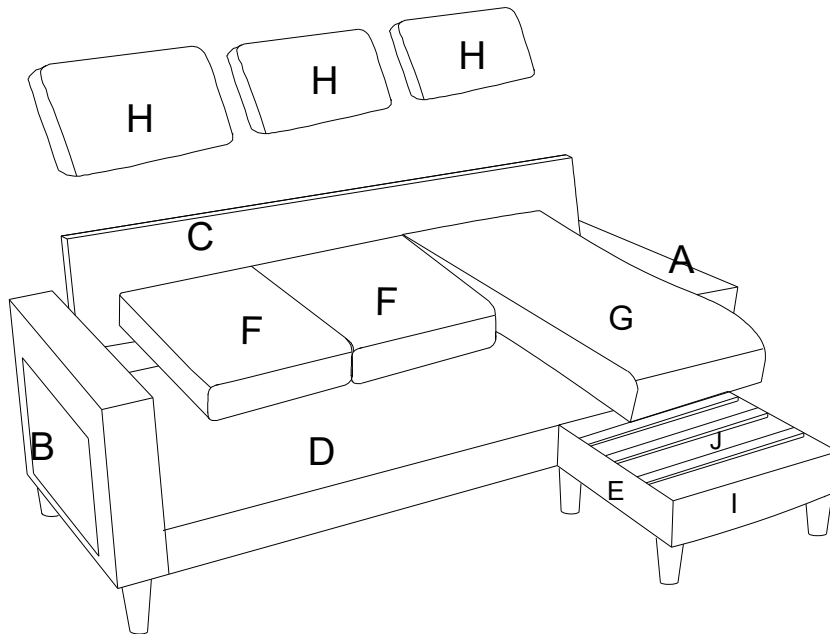



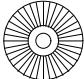








VACUUM COMPRESSION

IMPORTANT

- 1.Do not tighten bolts / screws completely until all bolts / screws are lined up and inserted into holes.
- 2.Do not over tighten screws and bolts to avoid stripping.
- 3.Please use hand tools to assemble this product. If you're using power tools, remember to set the tool to low torque to avoid damage.
- 4.[Uneven Fabric] It's a normal phenomenon that the first time you open it, the fabric is uneven. Because the fabric is easy to crease after long time transport in vacuum compression. You can use an iron to smooth it out , have a try!
- 5.[Color Difference Between Images and Goods] Made of soft velvet, the color of the fabric is influenced by the directions of the velvet napping. You can smooth it with your hands.

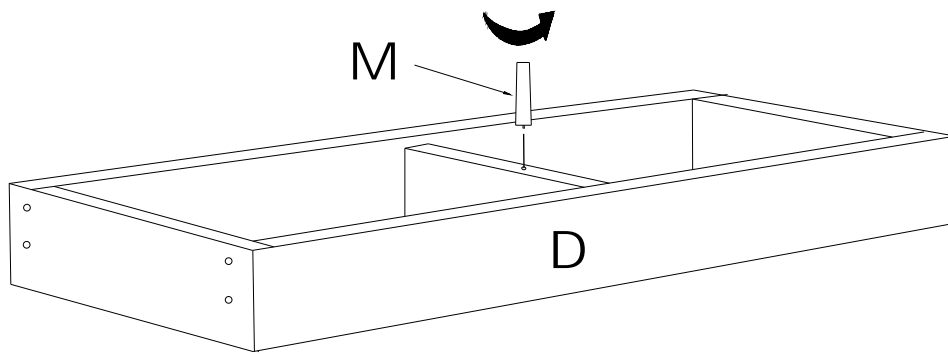
COMPONENTS



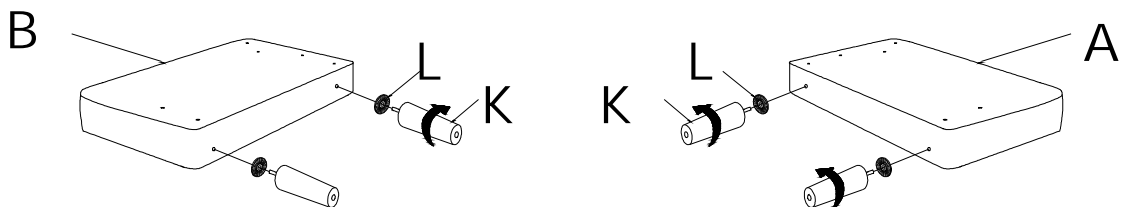
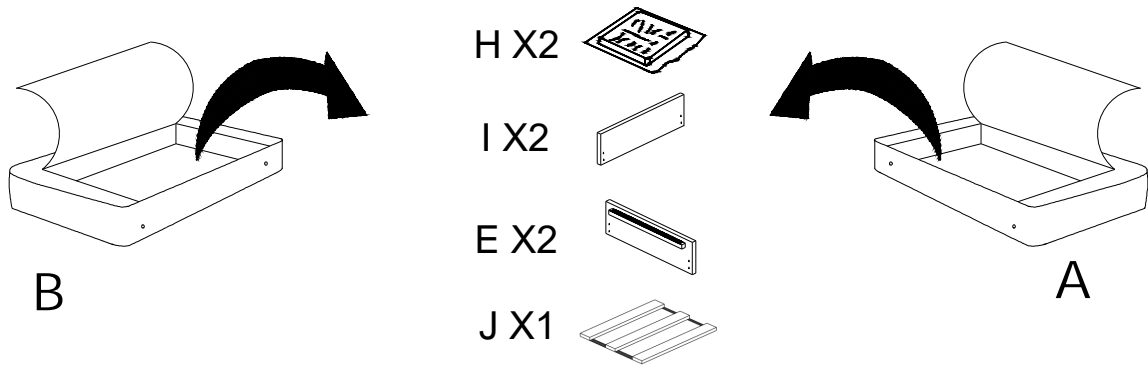
K		8	PLASTIC LEG
L		8+1	GASKET
M		1	WOOD LEG
N		4	BOLT M8*35mm
O		8	BOLT M8*60mm
P		16+1	BOLT 1/4*20mm
Q		12+1	WASHER
R		4	ANGLE IRON
S		1	1/4 - inch Allen key
T		1	M8 Allen key

TOOLS REQUIRED:  **SCISSORS (NOT INCLUDED)**

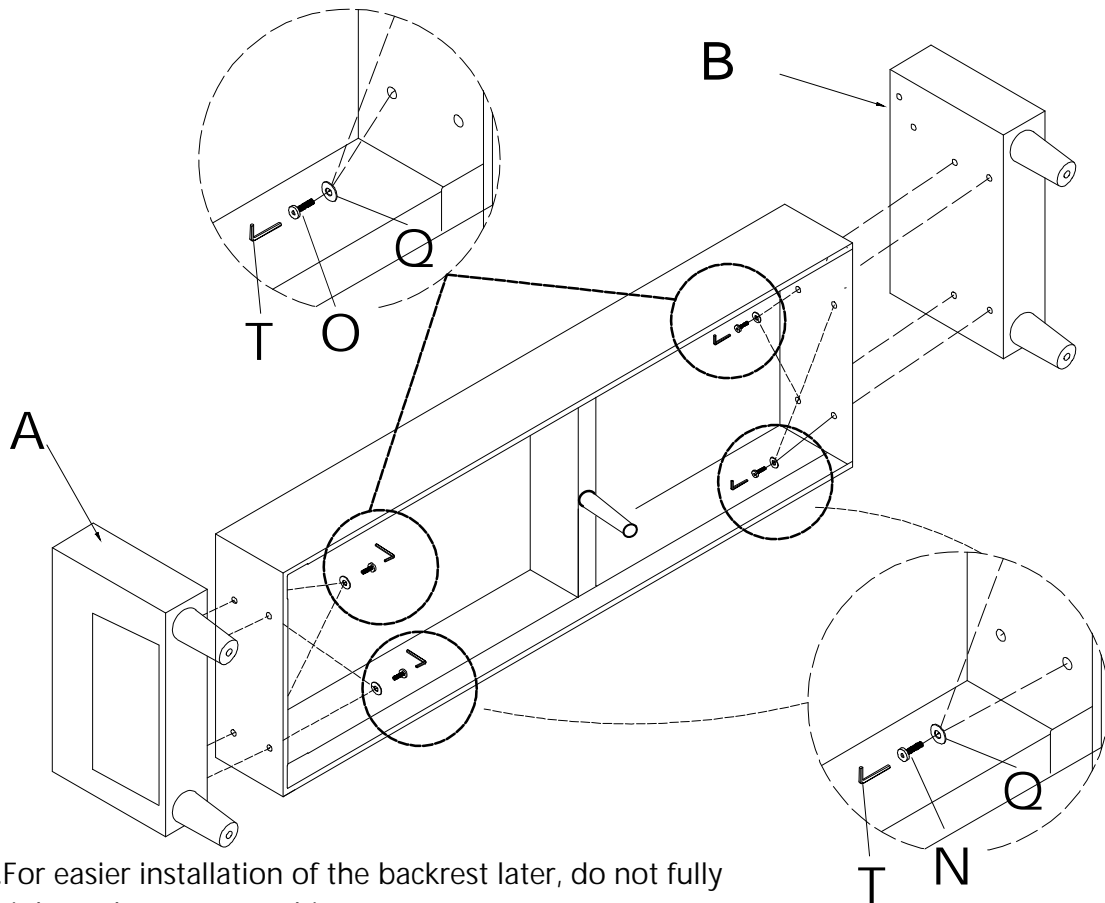
STEP 1



STEP 2

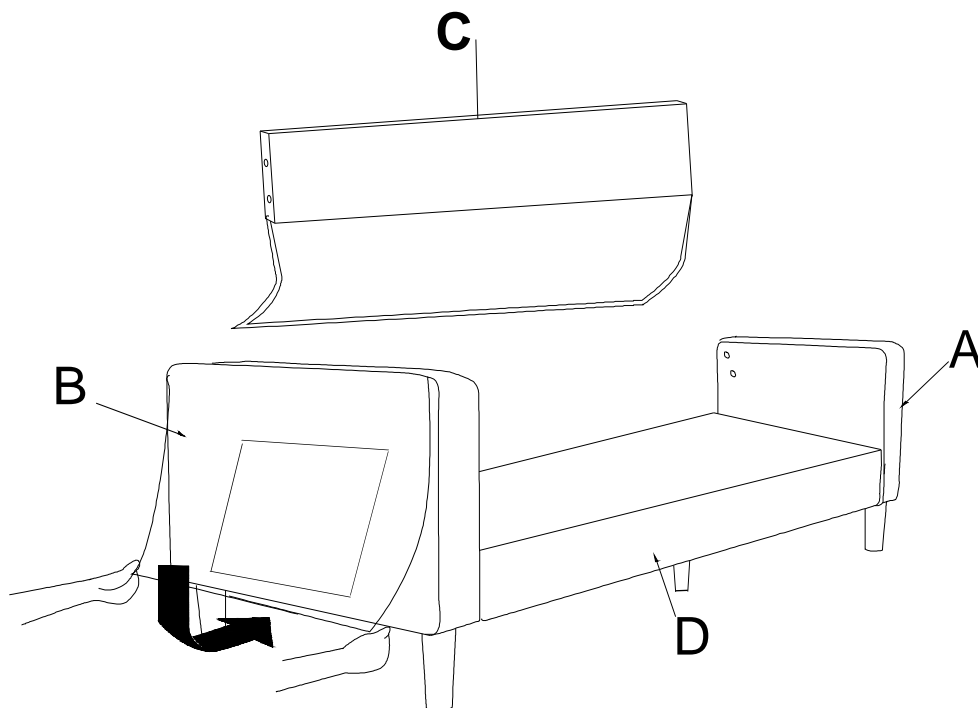


STEP 3

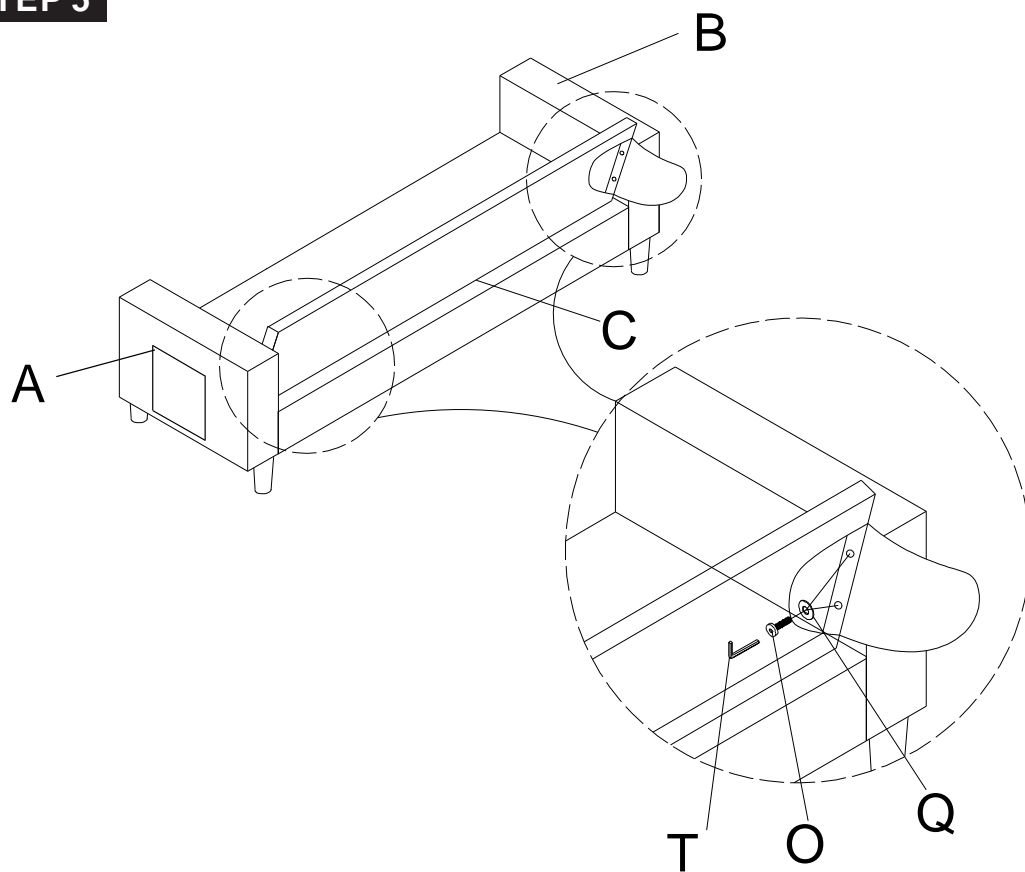


- * 1. For easier installation of the backrest later, do not fully tighten the screws at this stage.
- 2. Tighten all screws securely after the backrest is installed.

STEP 4

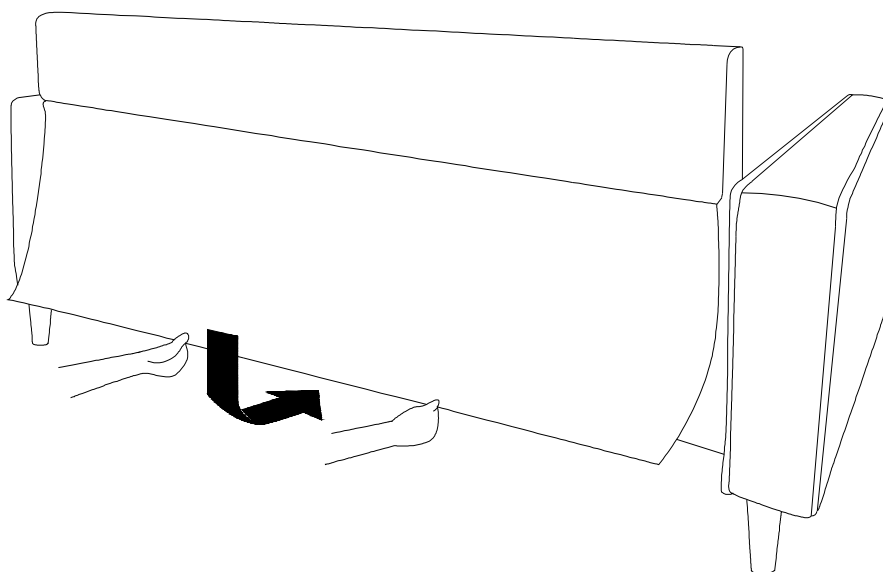


STEP 5

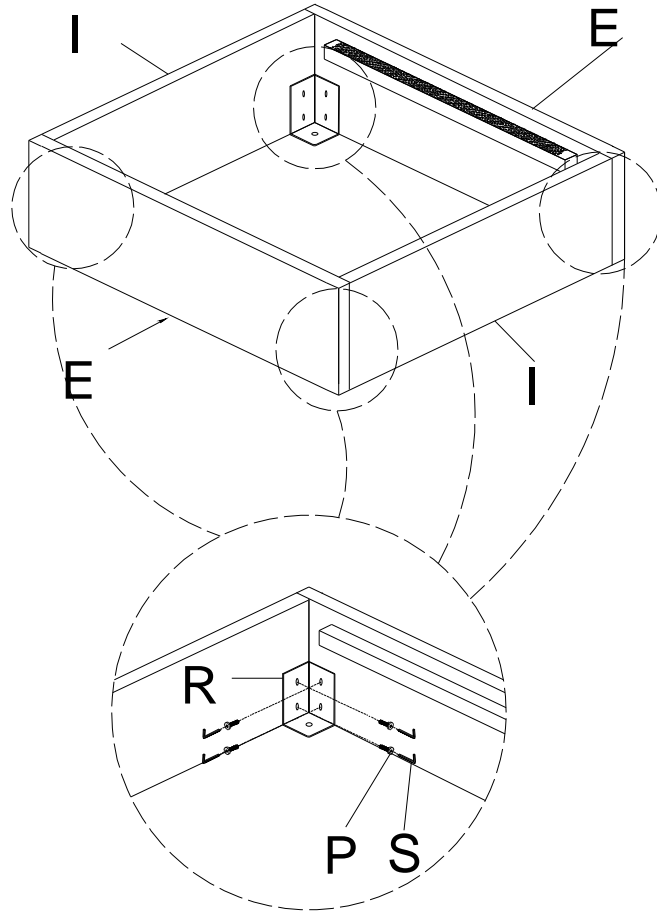


*After installing the backrest, you can now tighten the seat frame screws.

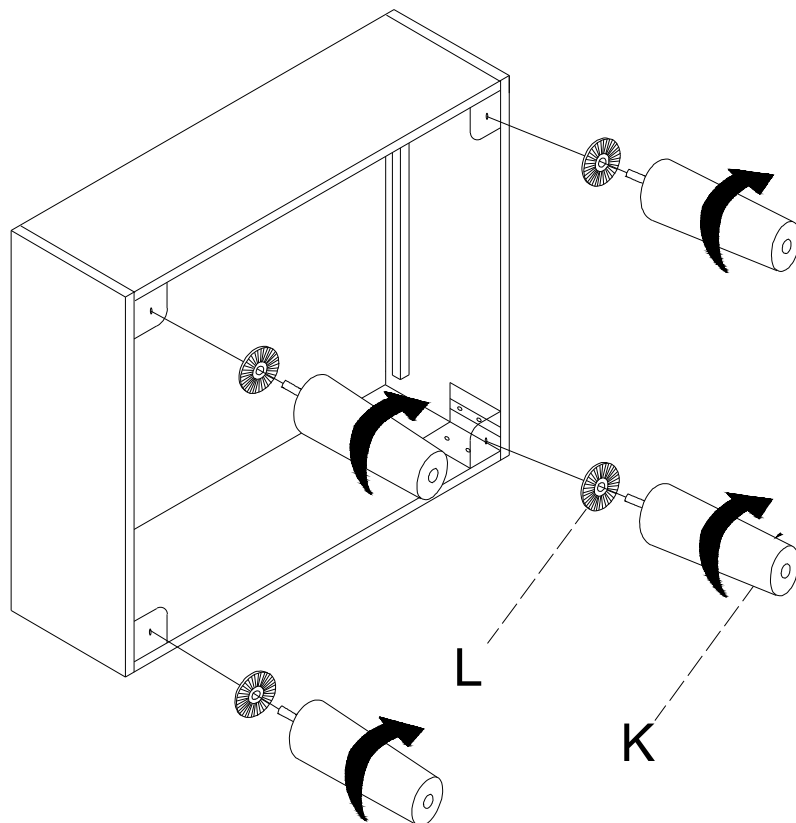
STEP 6



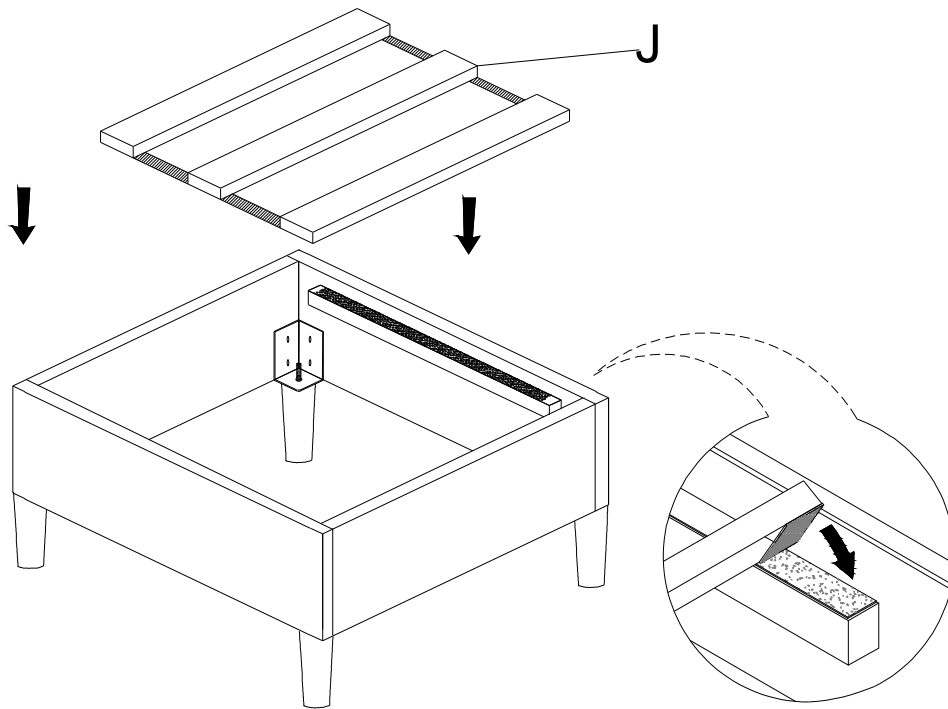
STEP 7



STEP 8

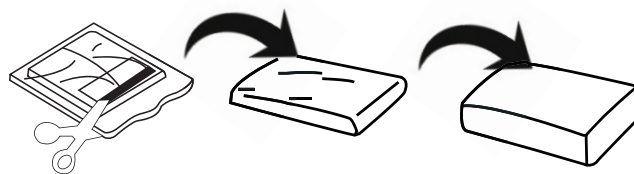


STEP 9

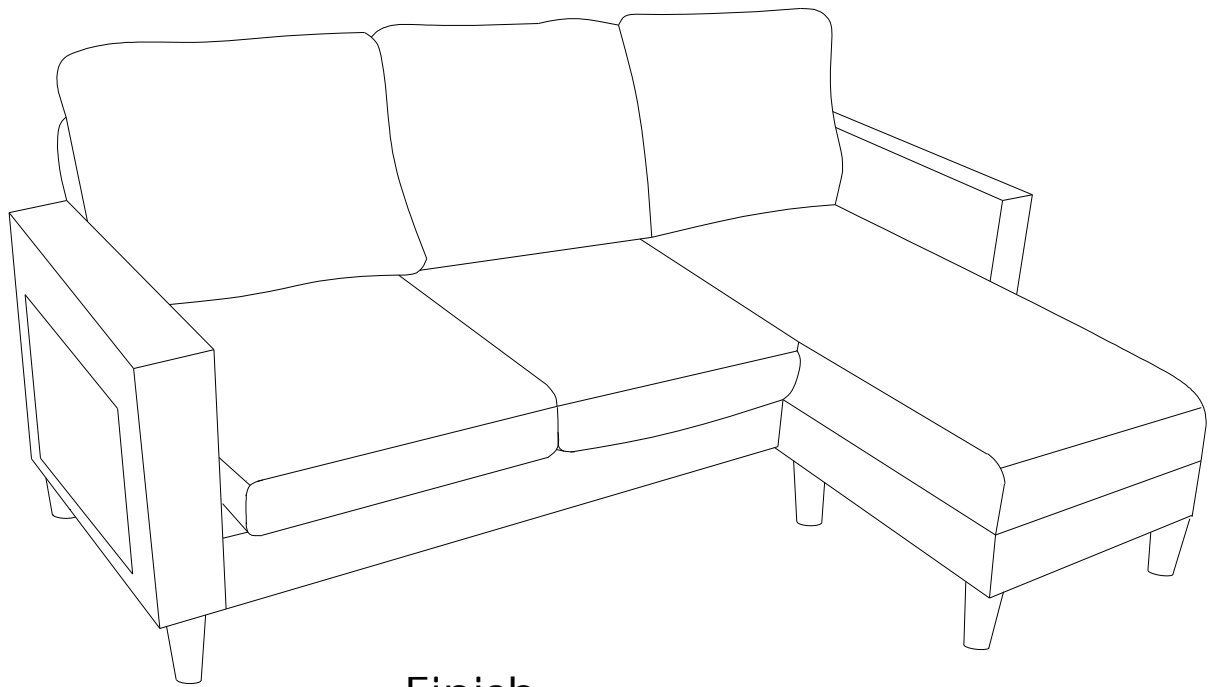
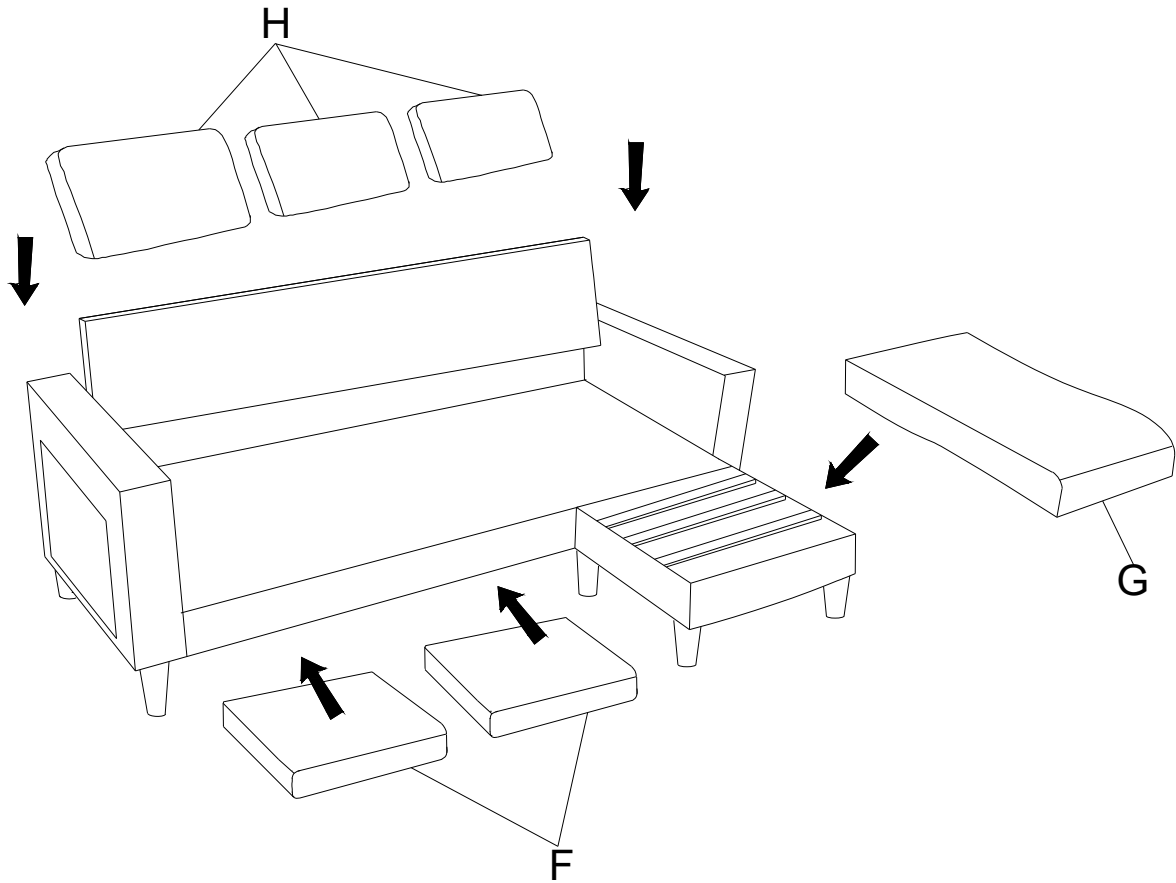


STEP 10

Use scissors to open all the vacuum sealed cushions, It may take 24-72hrs to fully expand back to its original shape & firmness.



STEP 11



Finish

RETURN POLICY

We hope you enjoy your new furniture as much as we enjoyed making it,if you have any comments or suggestion about our product,please feel free to share with us.

We do our best to ensure your furniture arrives without any problems, but occasionally mistakes happen—as humans we are imperfect beings. In the event that a part is damaged or missing,we really don't want you to go through the hassle of re-packaging your item and sending it back,we will be more than happy to provide you with replacement part(s) for free.

All your concerns will be taken good care of by our CUSTOMER SERVICE TEAM.

All returns must be shipped back in original boxes Pictures may be required for some returns to ensure an item is not damaged prior to its return.

Items received without original boxes may not be accepted or may increase your return processing time.



WARNING

Manufacturer and seller expressly disclaim any and all liability for personal injury, property damage or loss, whether direct, indirect, or incidental, resulting from the incorrect attachment, improper use, inadequate maintenance, unapproved modification, or neglect of this product.