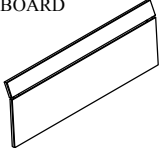
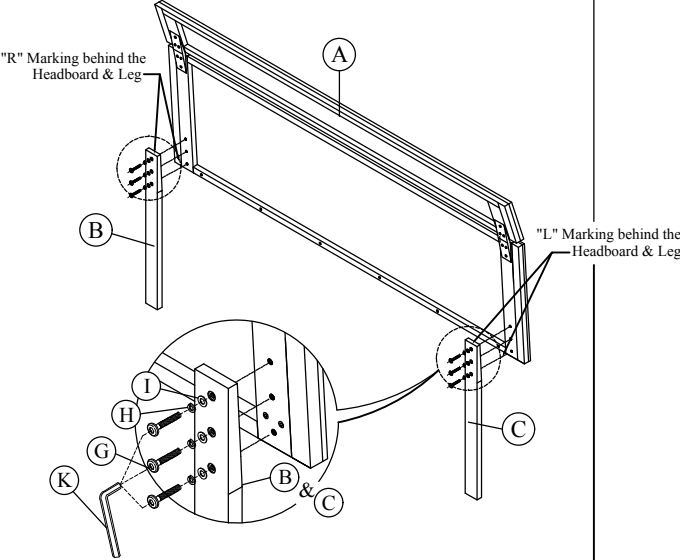
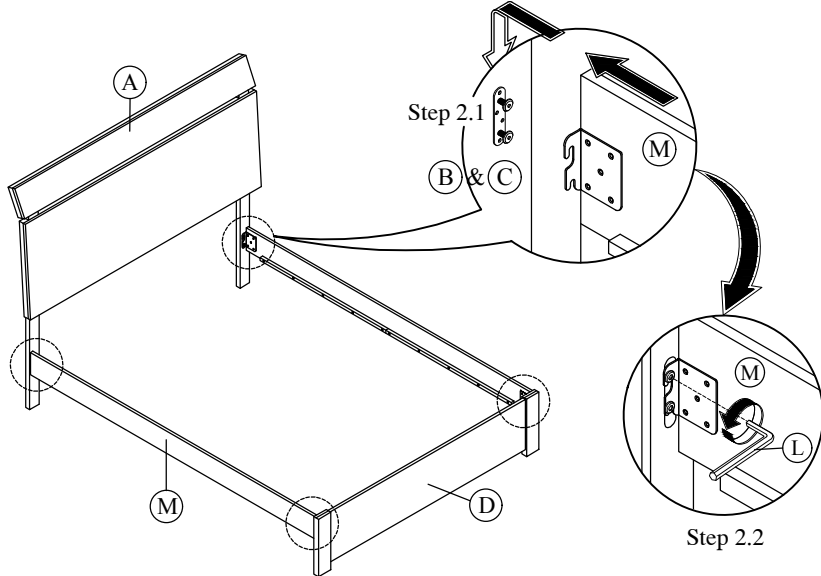
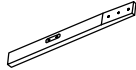
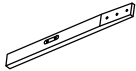
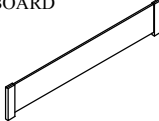
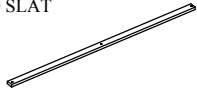
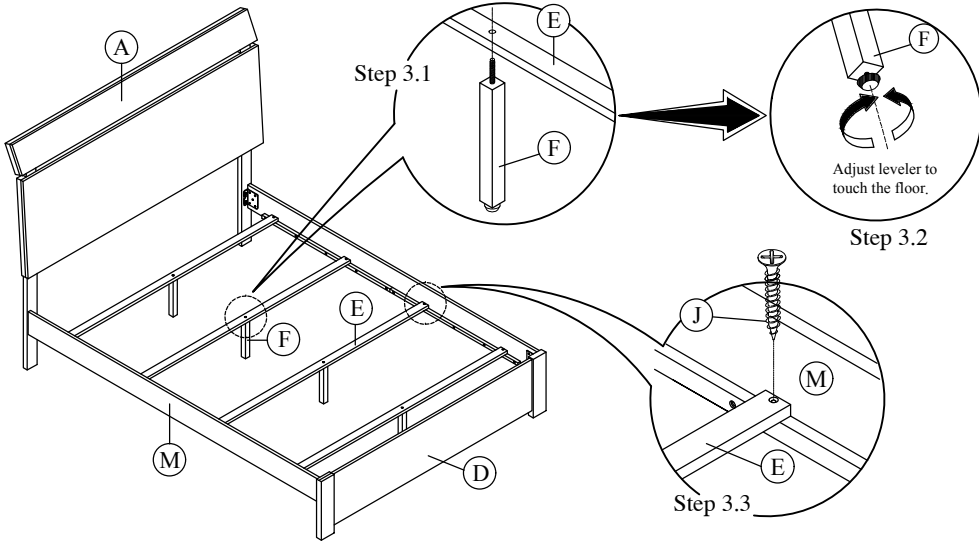
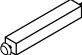






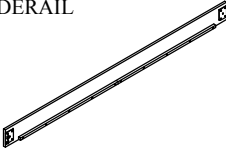


# ASSEMBLY INSTRUCTION QUEEN SIZE BED

NO	PART & HARDWARE LIST IN HEADBOARD	QTY.	STEP 1	STEP 2
A	HEADBOARD 	1PC		
B	HEADBOARD LEG RIGHT (R) 	1PC		
C	HEADBOARD LEG LEFT (L) 	1PC		
D	FOOTBOARD 	1PC		
E	BED SLAT 	4PCS		
F	BED SLAT SUPPORT 	4PCS		
G	JCBC SCREW M6 x 35mm 	6PCS		
H	SPRING WASHER Ø1/4" 	6PCS		
I	FLAT WASHER Ø1/4" x 13mm 	6PCS		
J	CSK M4 x 32mm 	8PC		
K	L KEY M4 x 65mm 	1PC		
L	L KEY M5 	1PC		
M	SIDERAIL 	2PCS		
	<b>NO PART LIST IN SIDERAIL</b>	<b>QTY.</b>		