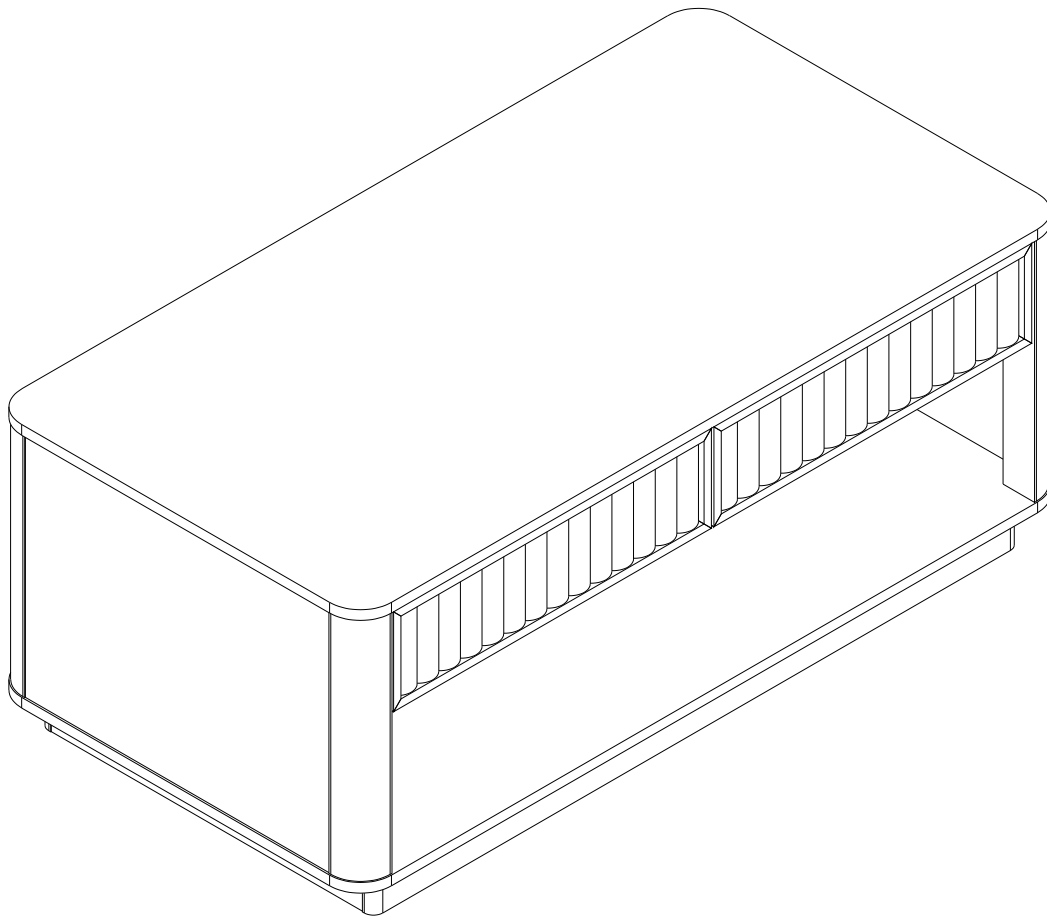


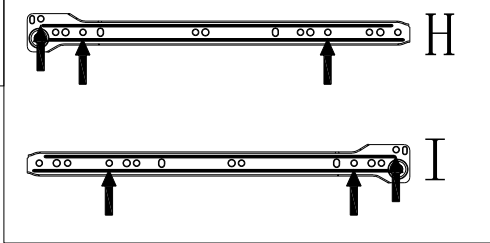
ASSEMBLY INSTRUCTION

If there are any questions during the assembly process

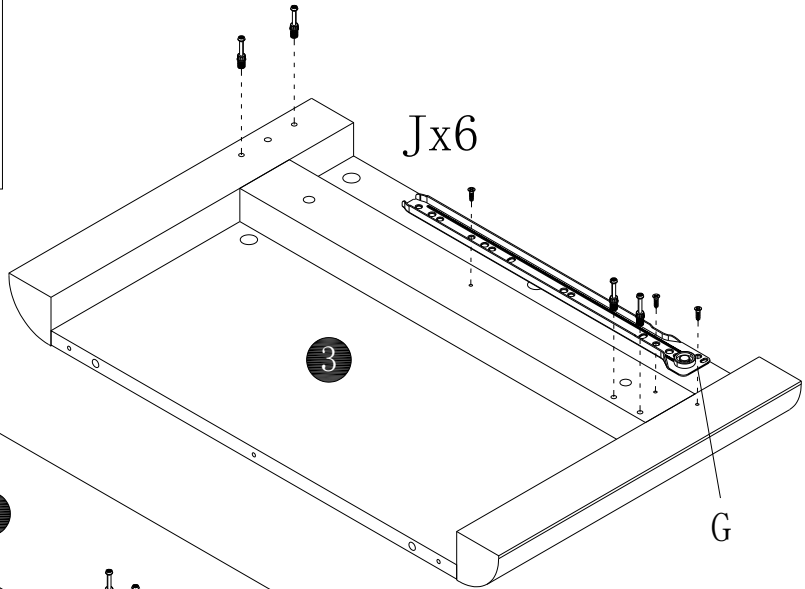
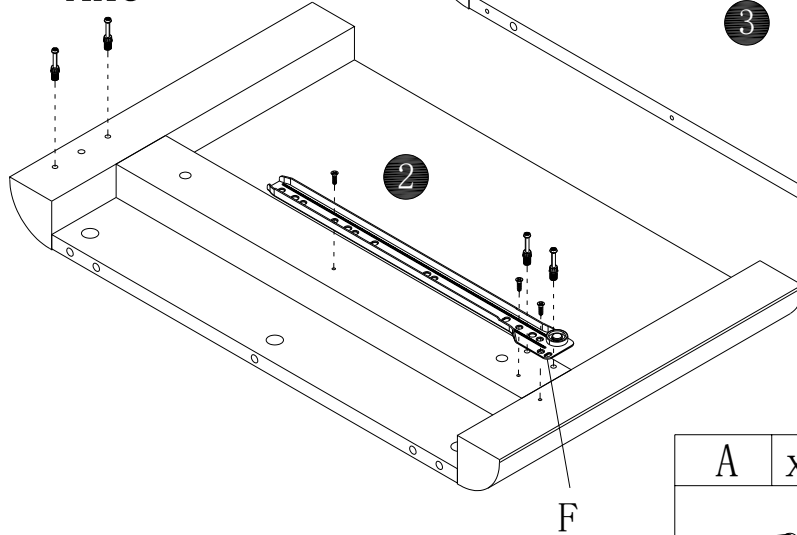
An video and description about the step you were stucked will help us to understand the problem quickly

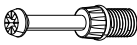





1

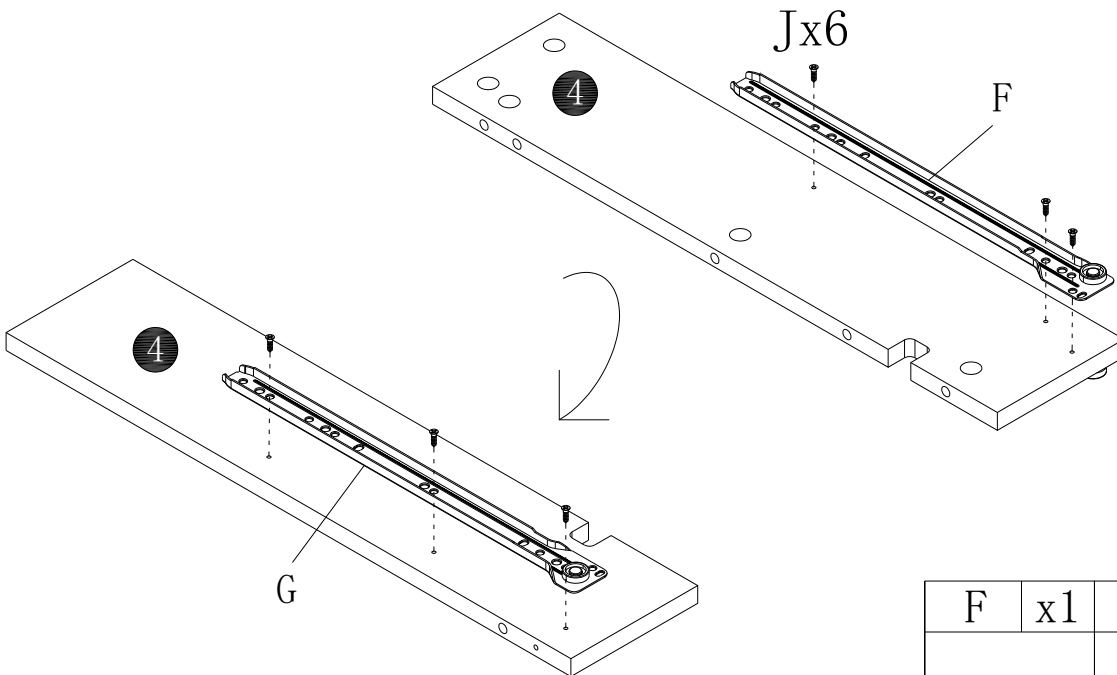
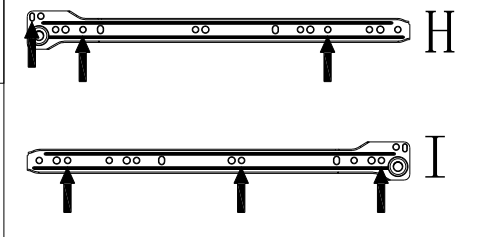





Ax8



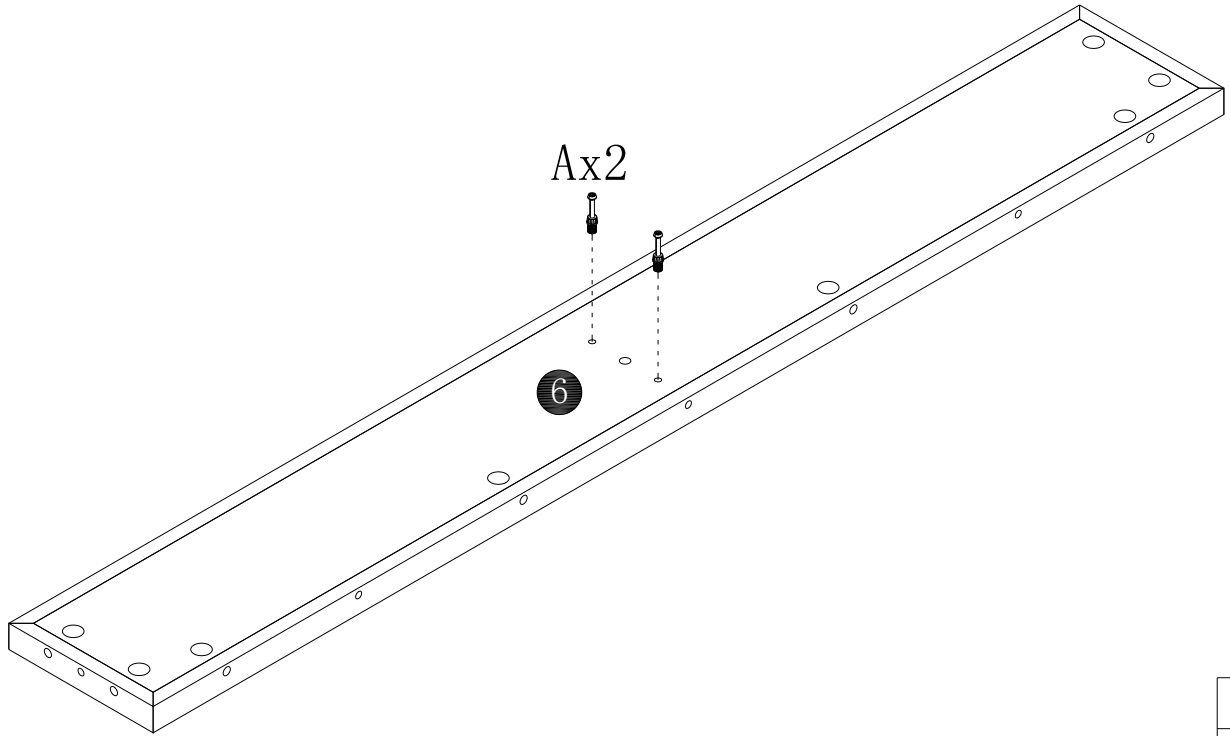
A	x8	F	x1	G	x1	J	x6
							
M6x35mm						M3.5x12mm	

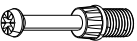
2



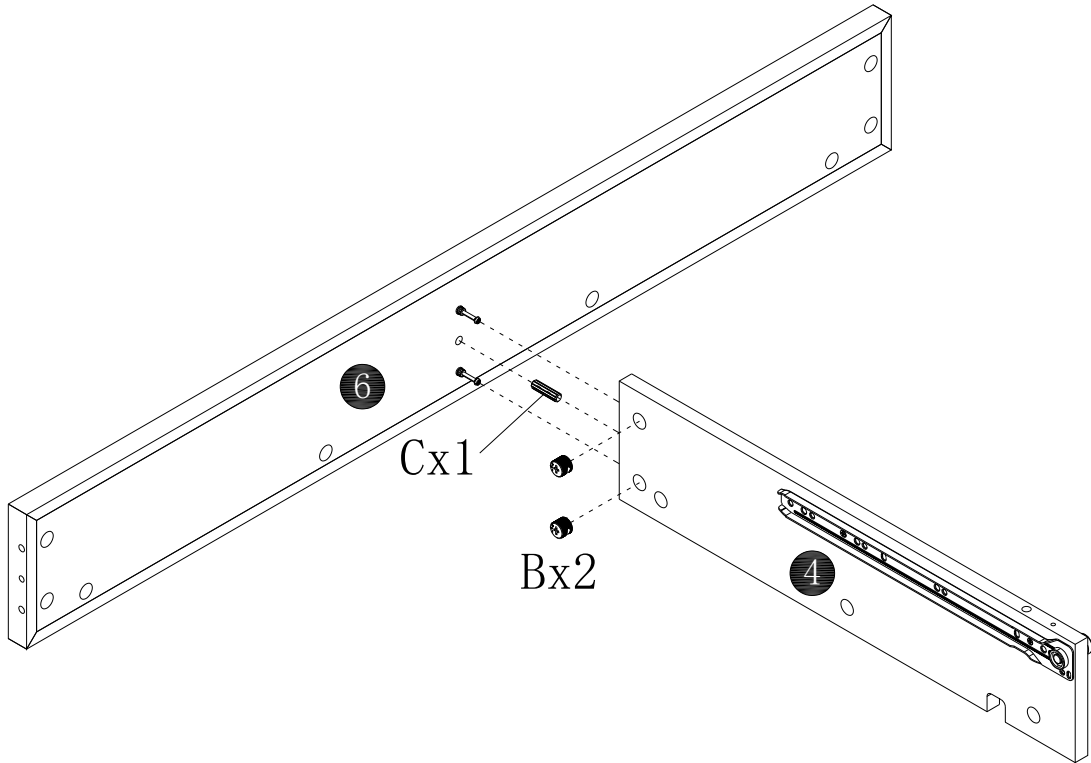
F	x1	G	x1	J	x6
					
				M3.5x12mm	



3

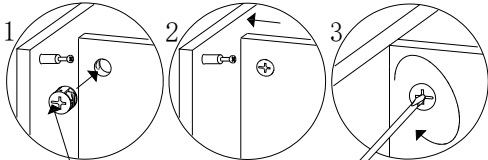


A	x2
	
M6x35mm	

4



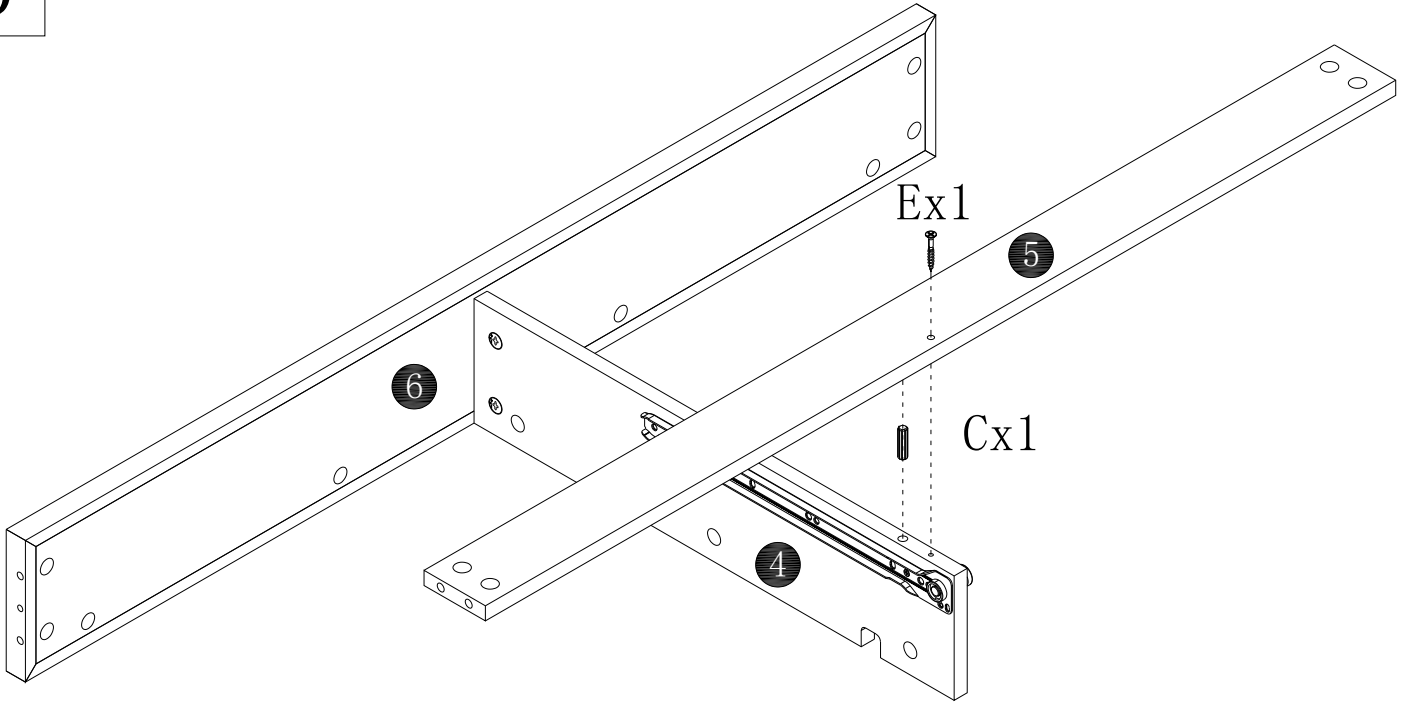
B	x2	C	x1
			
φ15mm		φ8x30mm	


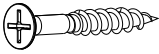


The arrow must point toward the edge of the board.

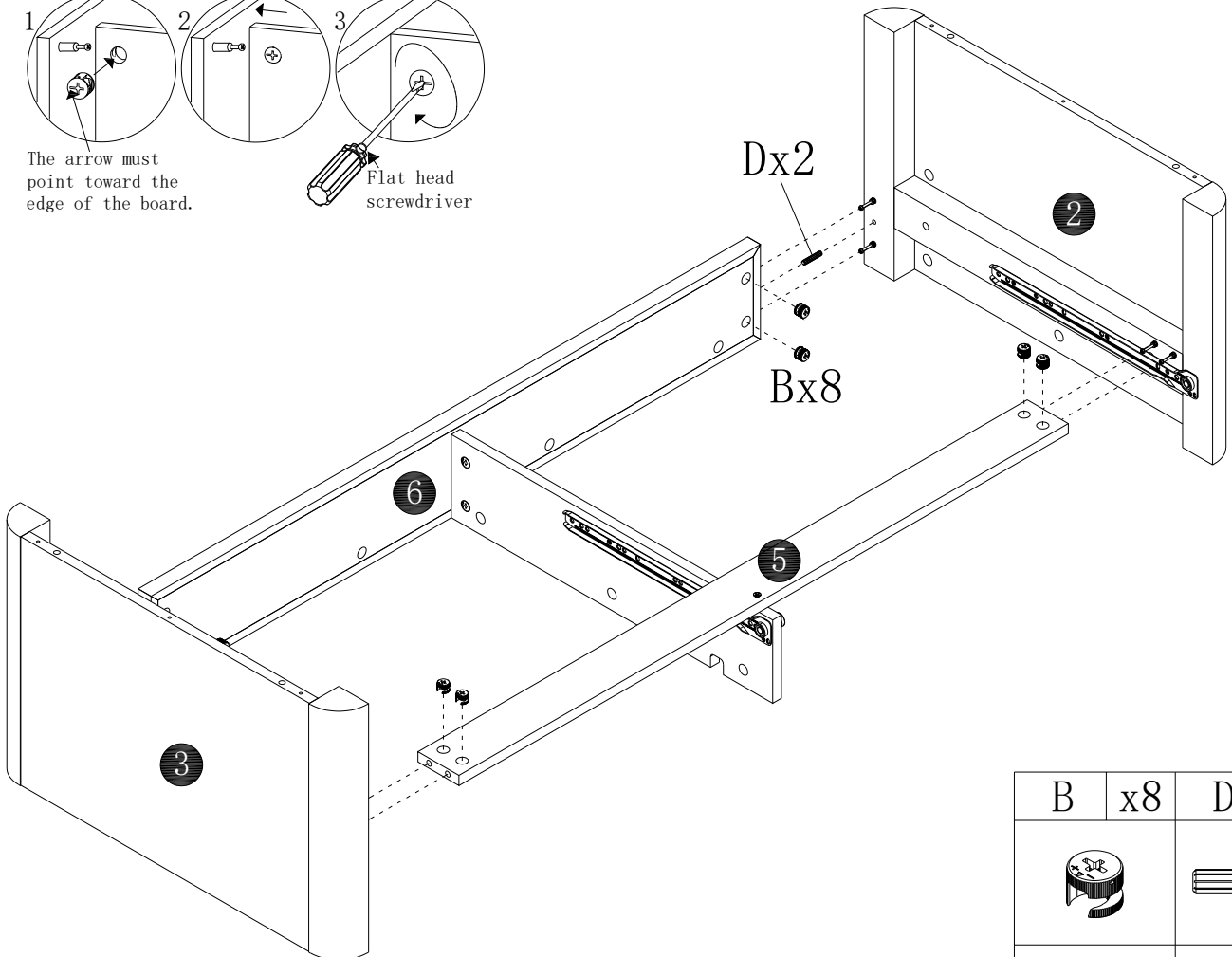
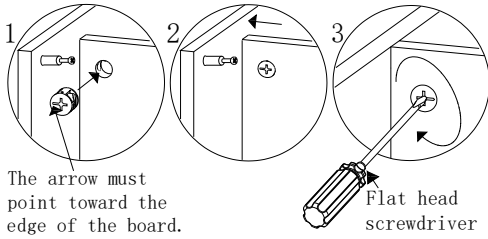
Flat head screwdriver



5



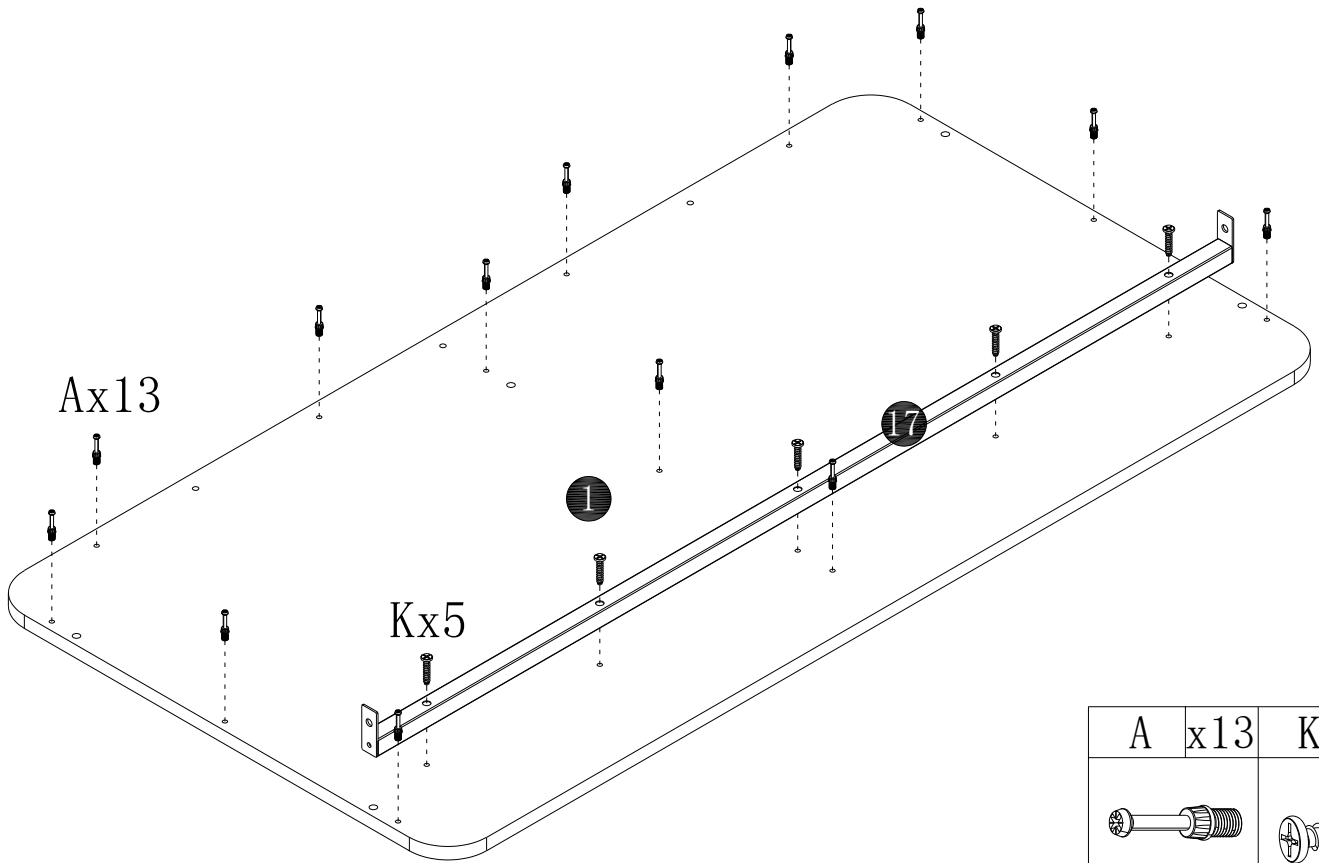
C	x1	E	x1
			
∅8x30mm		M5x38mm	

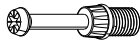

6



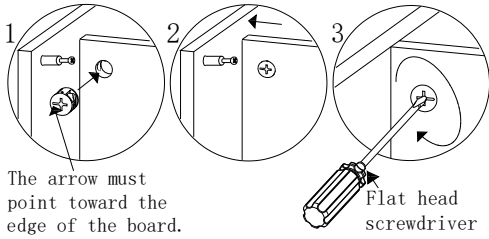
B	x8	D	x2
			
∅15mm		∅6x30mm	

7



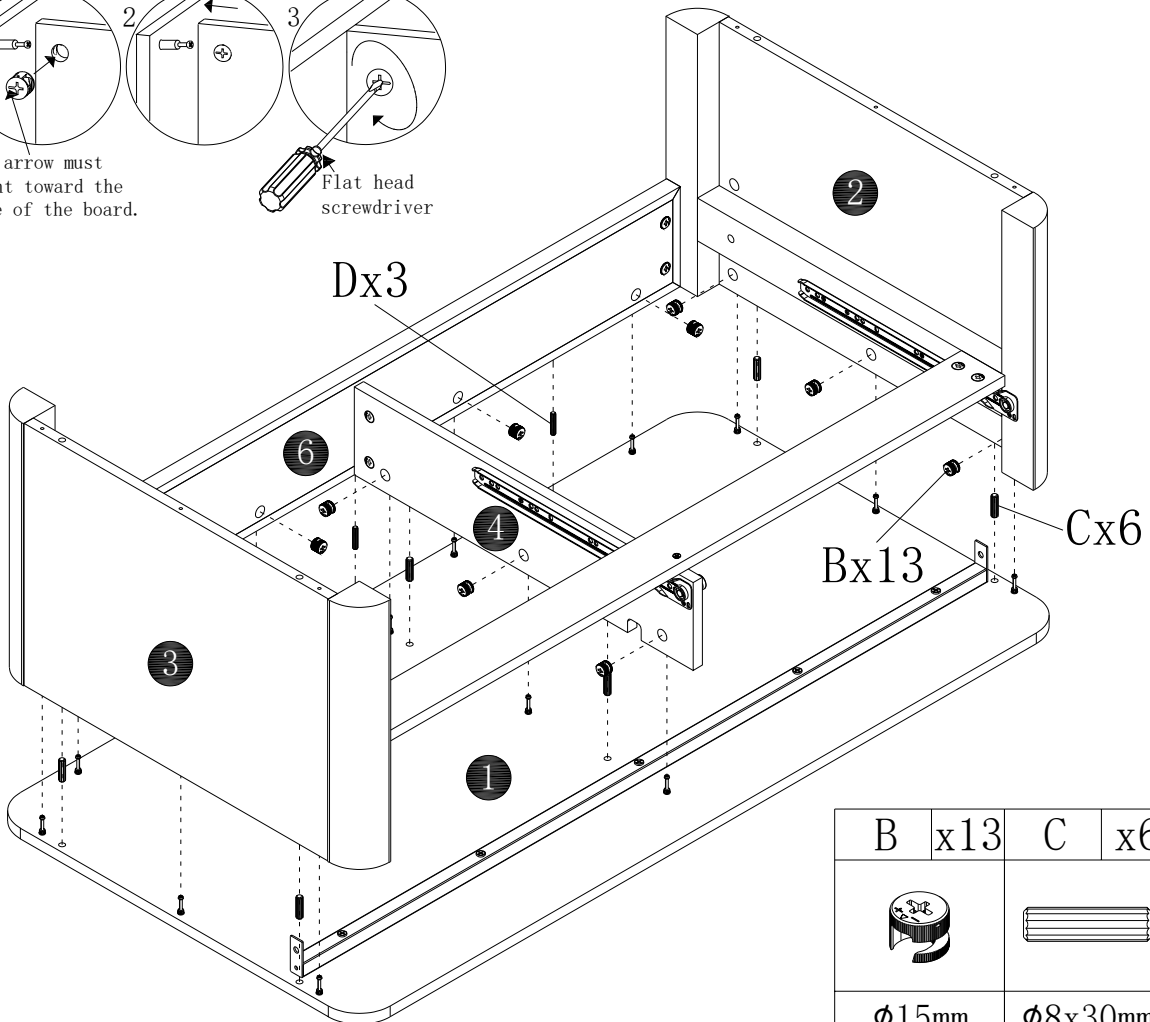
A	x13	K	x5
			
M6x35mm		M6x28mm	




8



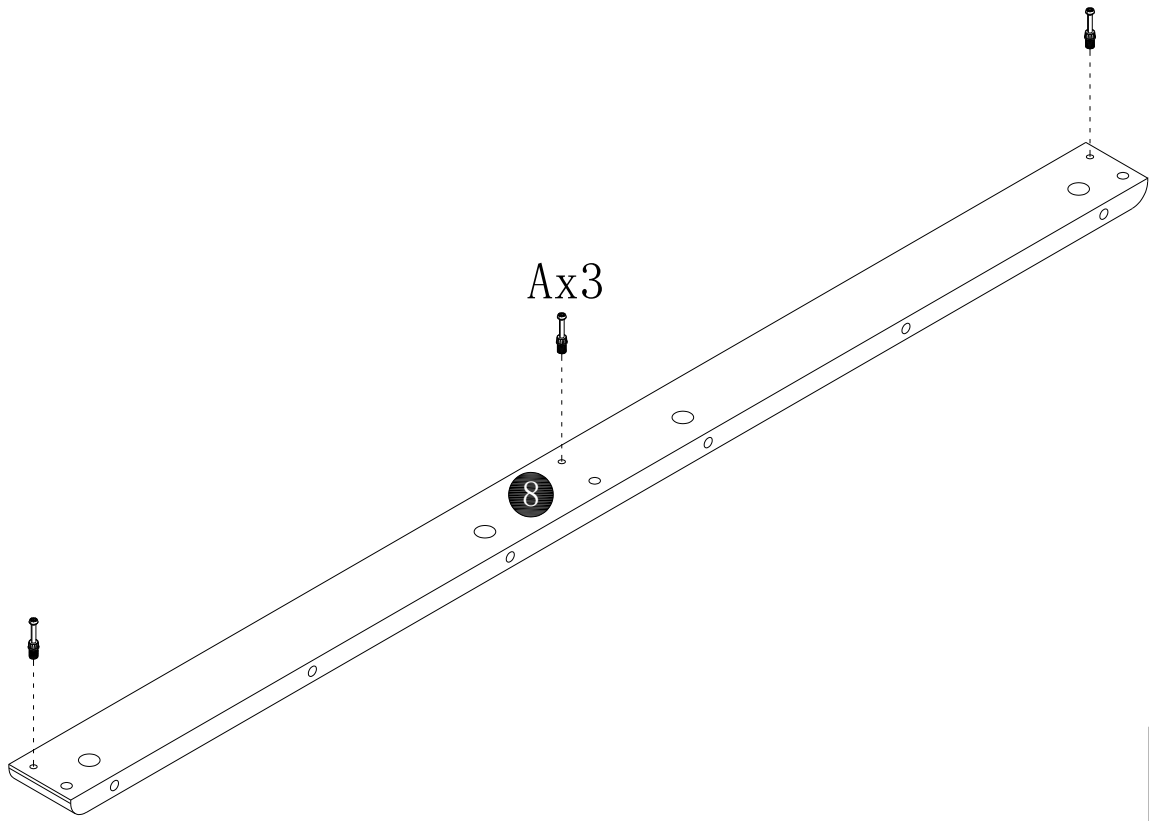
The arrow must point toward the edge of the board.

Flat head screwdriver



B	x13	C	x6	D	x3
					
φ15mm		φ8x30mm		φ6x30mm	

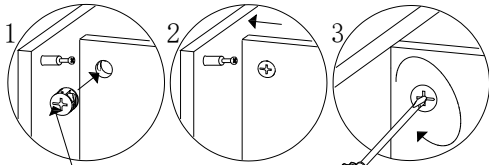
9



x2

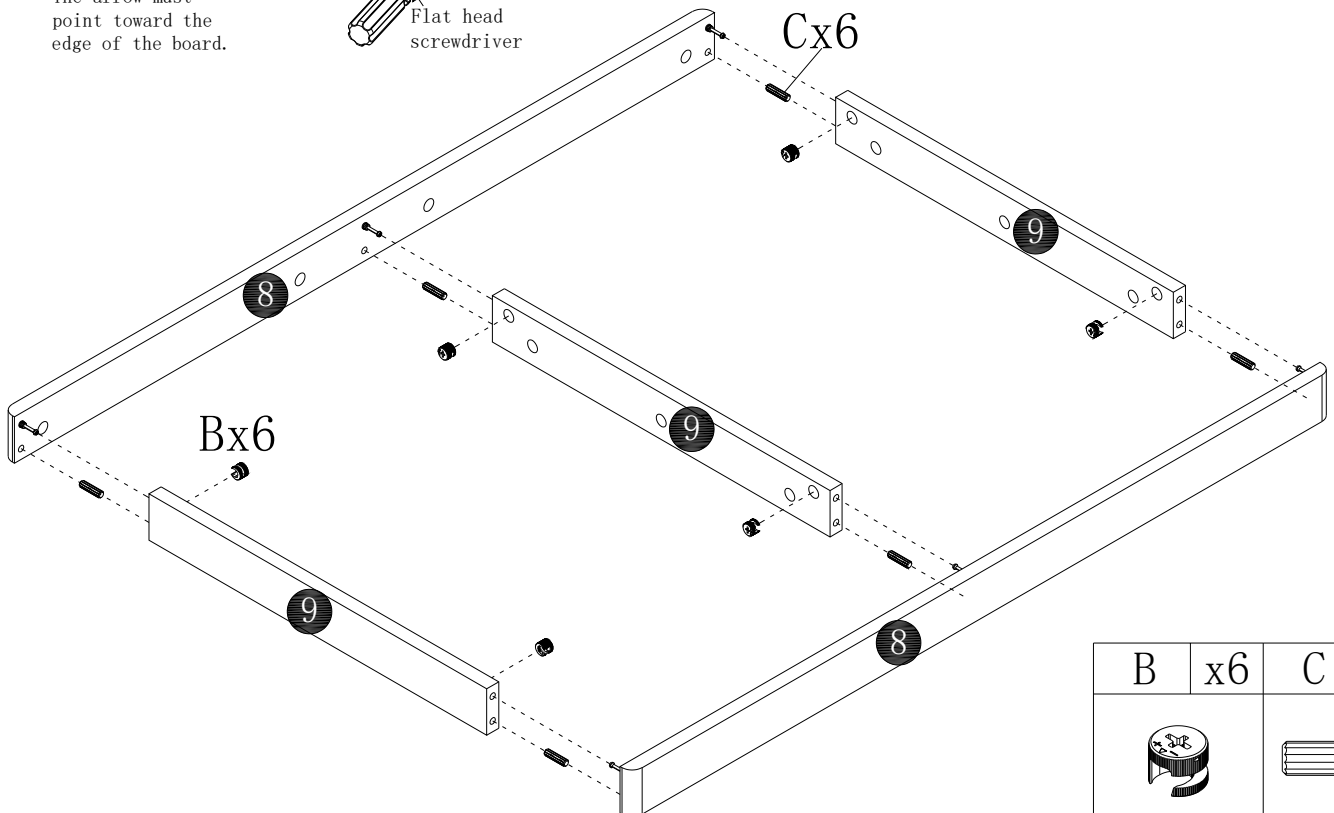
A	x6
M6x35mm	

10



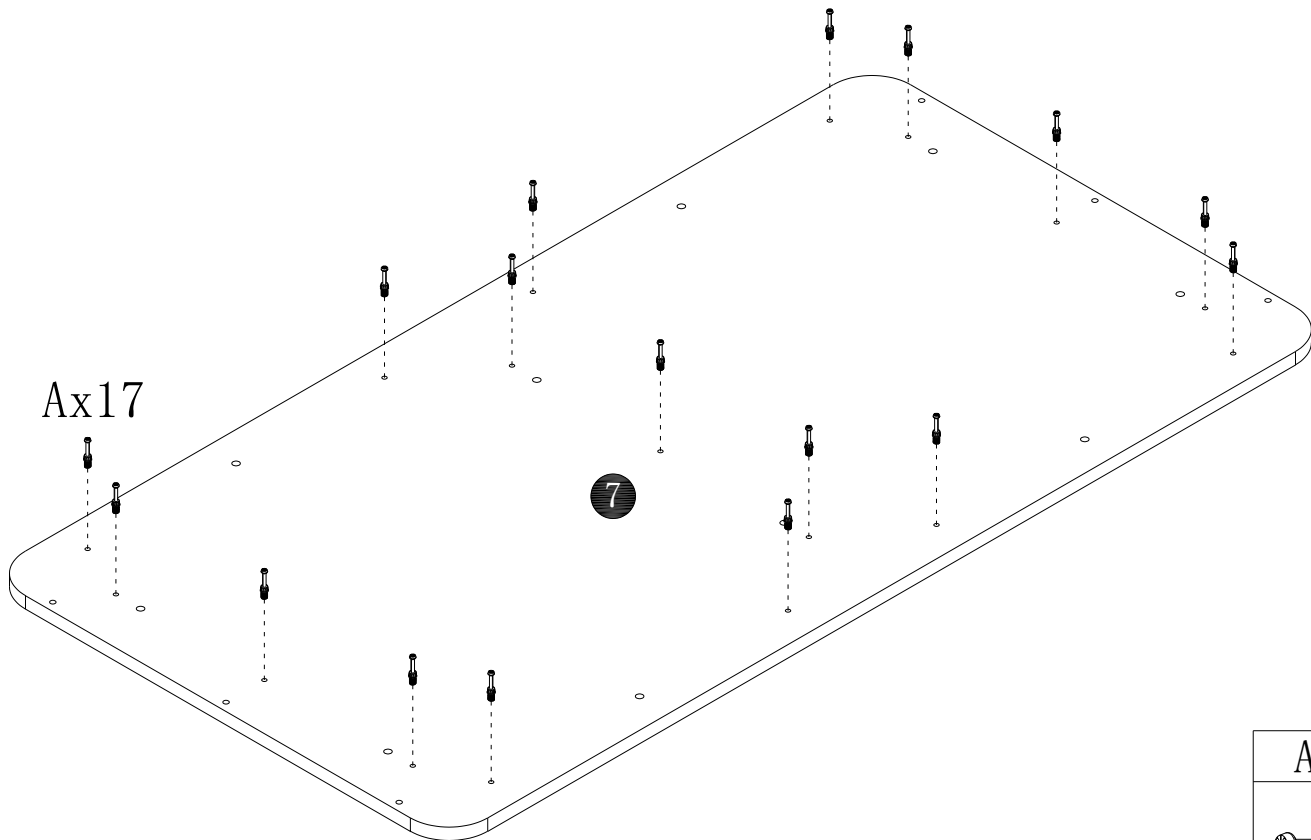
The arrow must point toward the edge of the board.

Flat head screwdriver

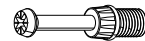


B	x6	C	x6
φ15mm		φ8x30mm	

11

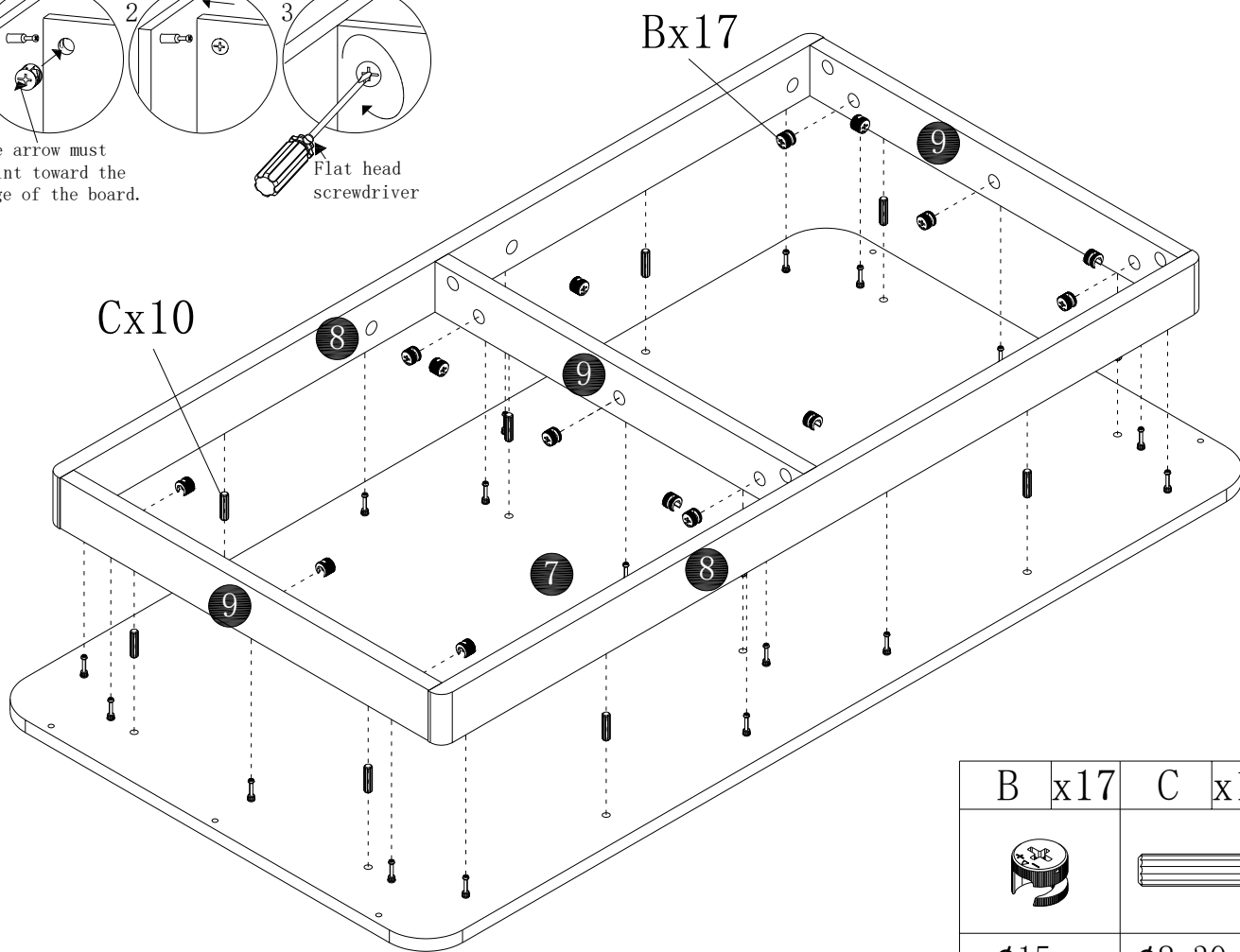
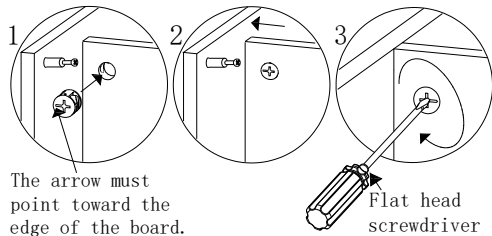


A x17



M6x35mm

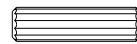
12



B x17 C x10

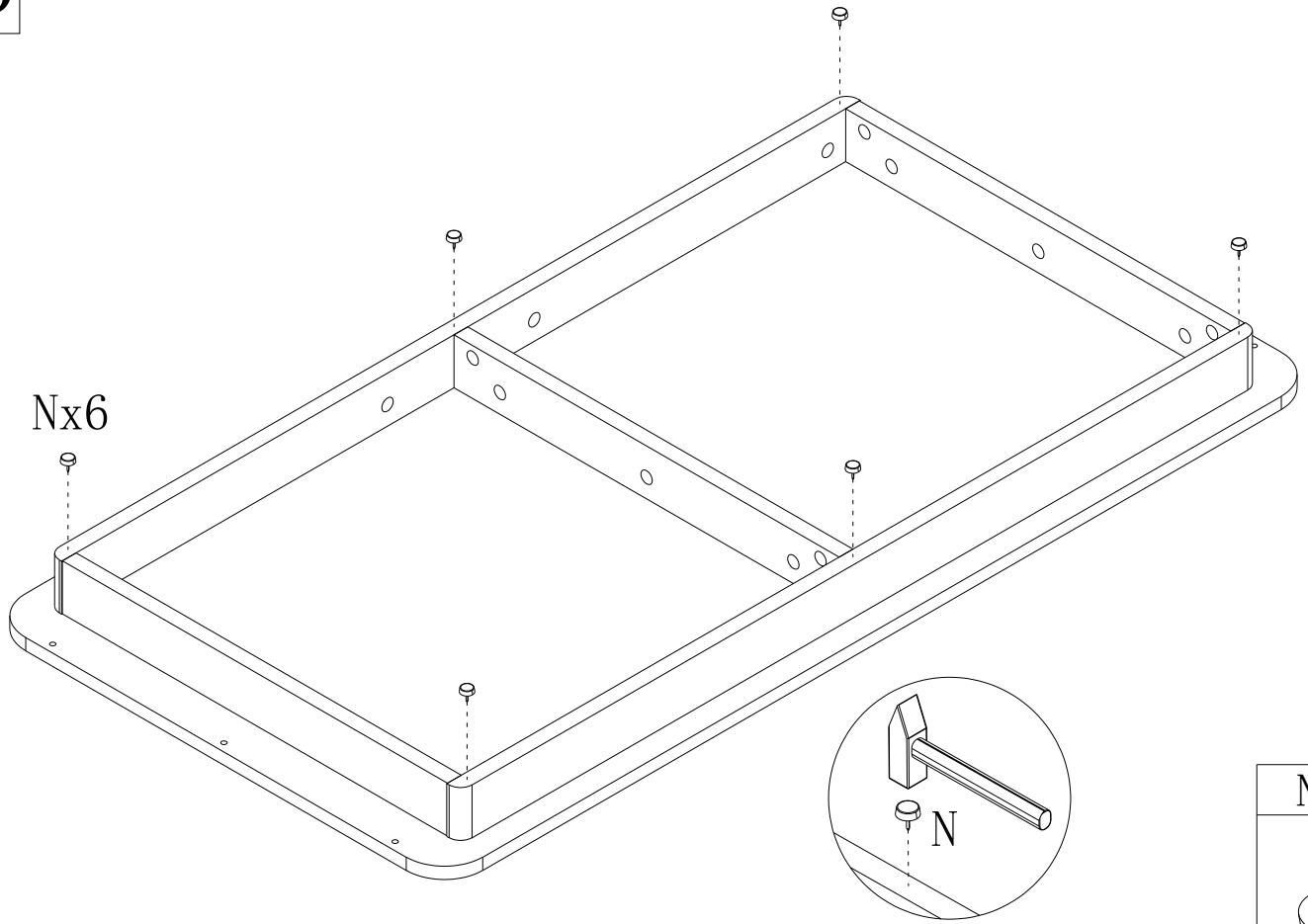


Ø15mm



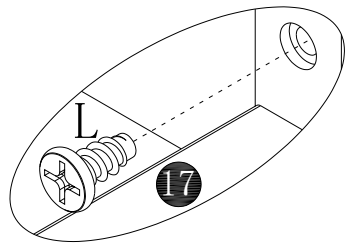
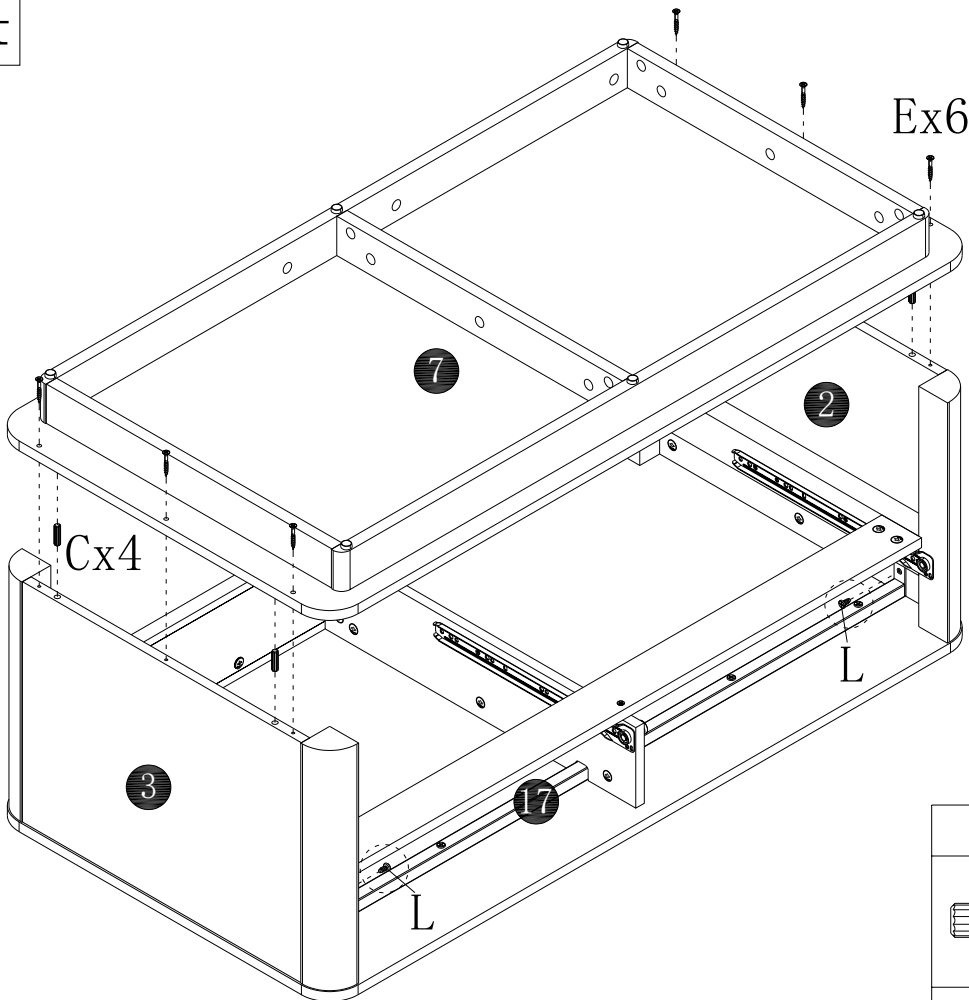
Ø8x30mm

13



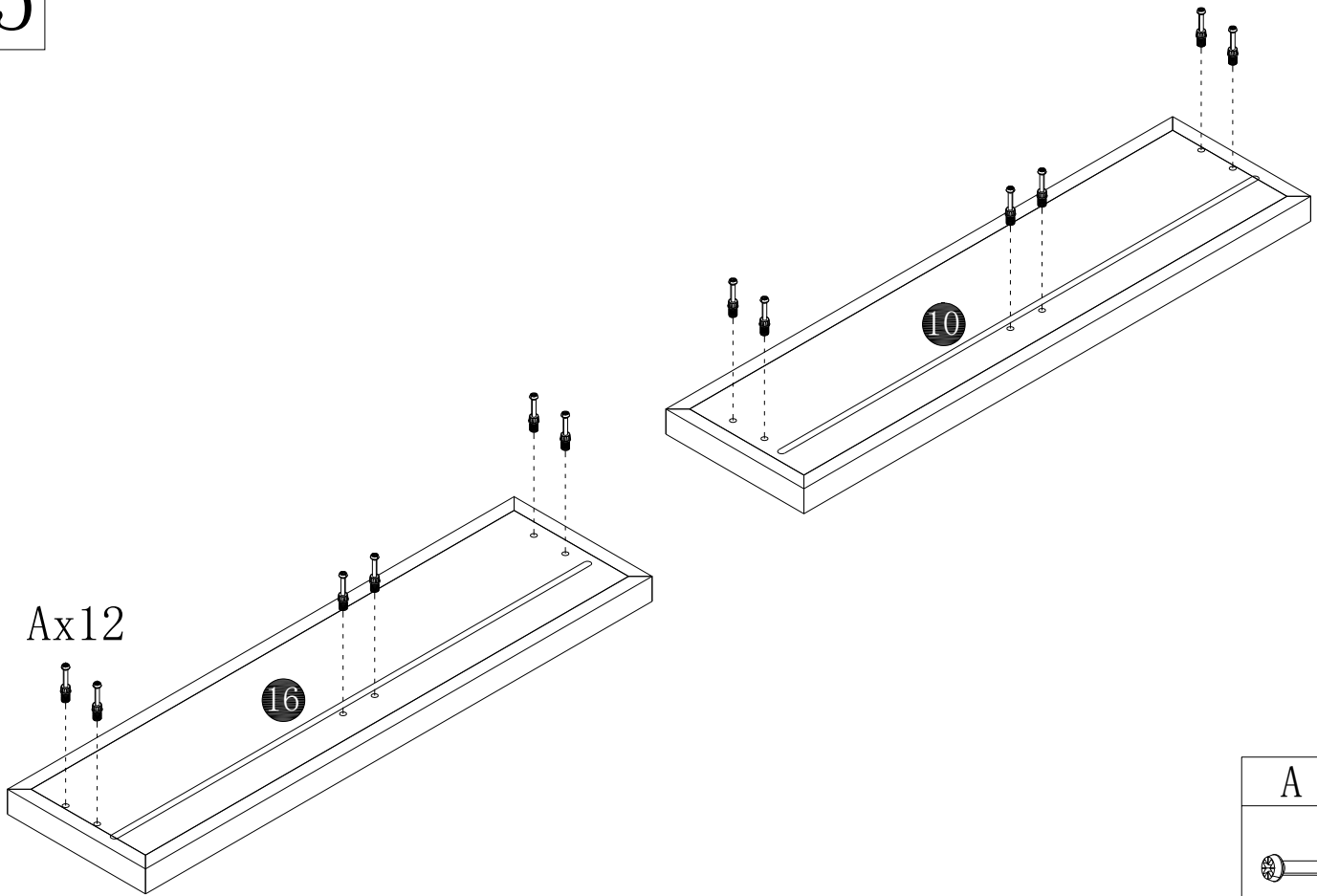
N	x6

14

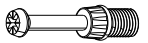


C	x4	E	x6	L	x2
$\varnothing 8 \times 30 \text{mm}$		$M5 \times 38 \text{mm}$		$M6 \times 12 \text{mm}$	

15

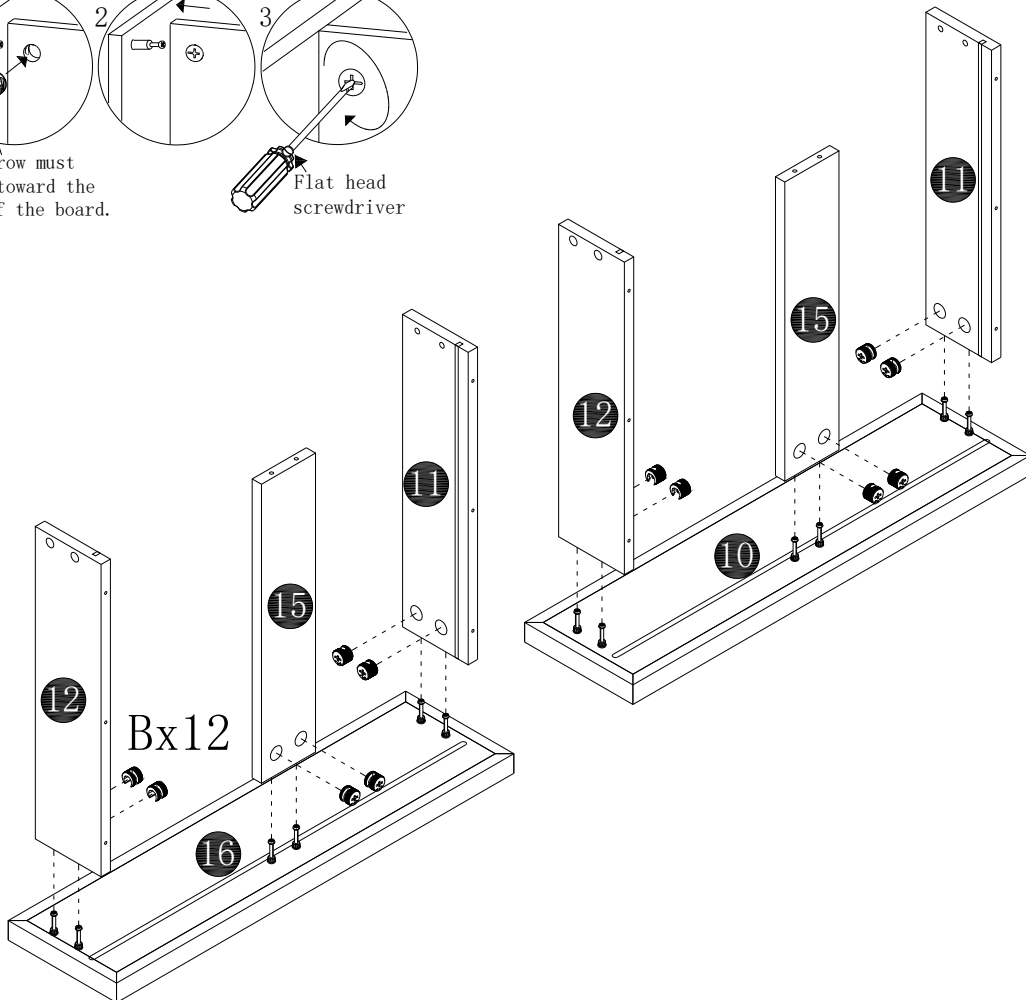
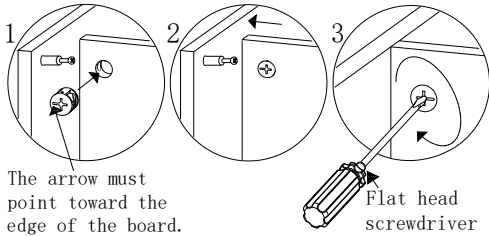


A x12



M6x35mm

16

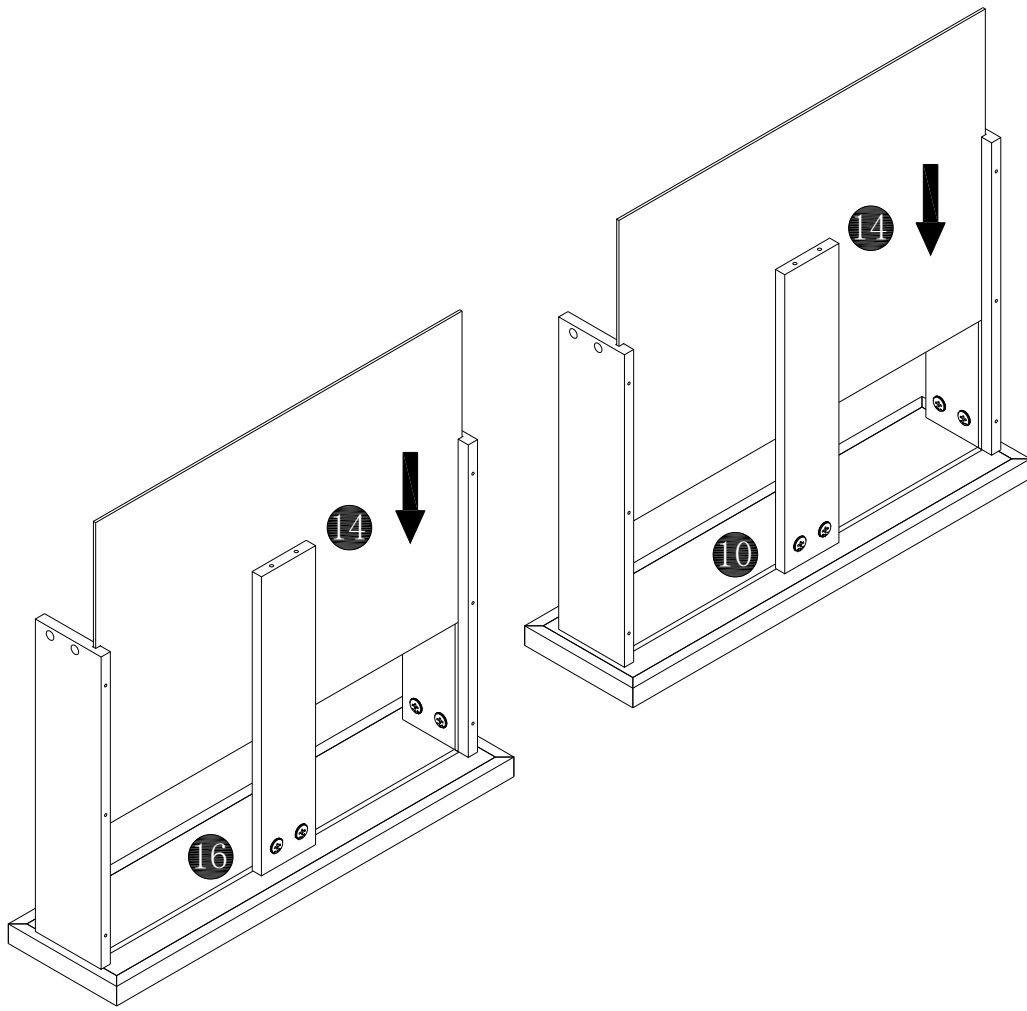


B x12

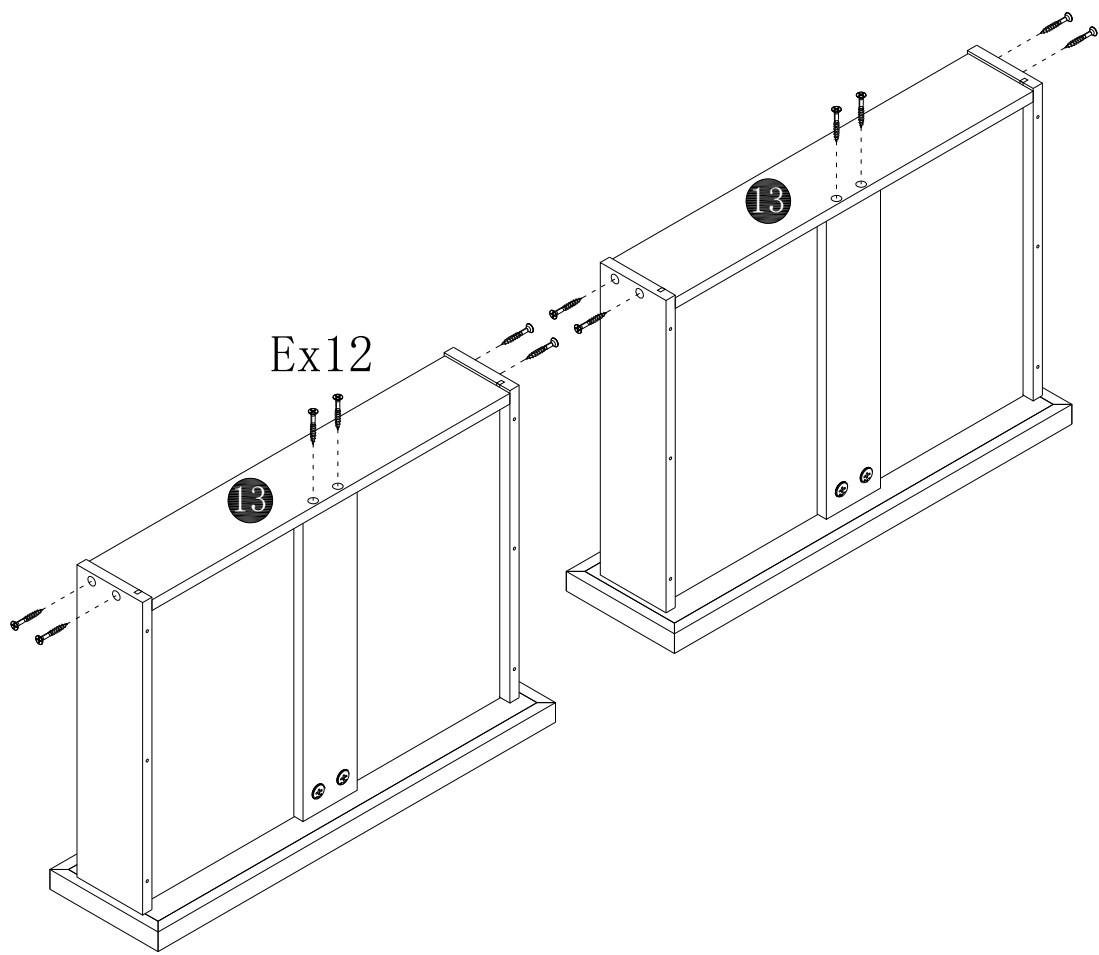


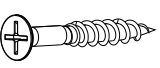
Ø15x10mm

17

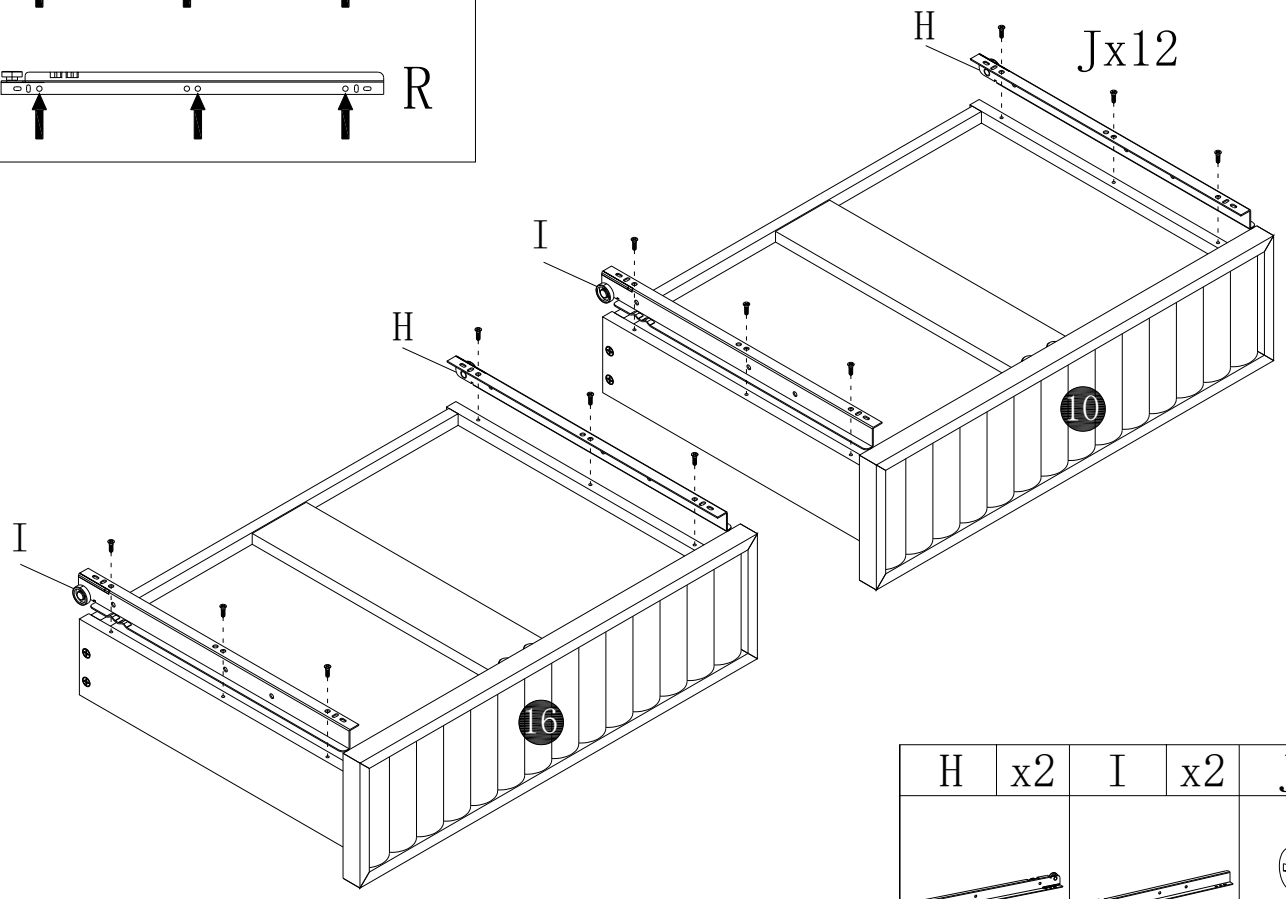
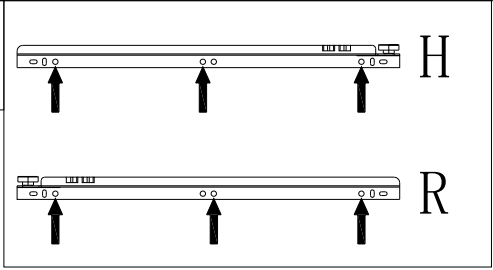





18



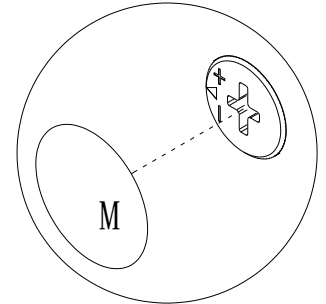
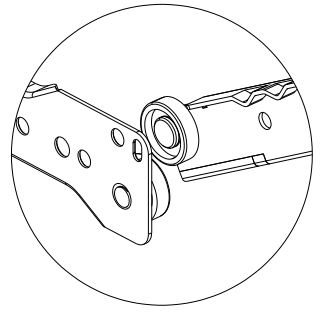
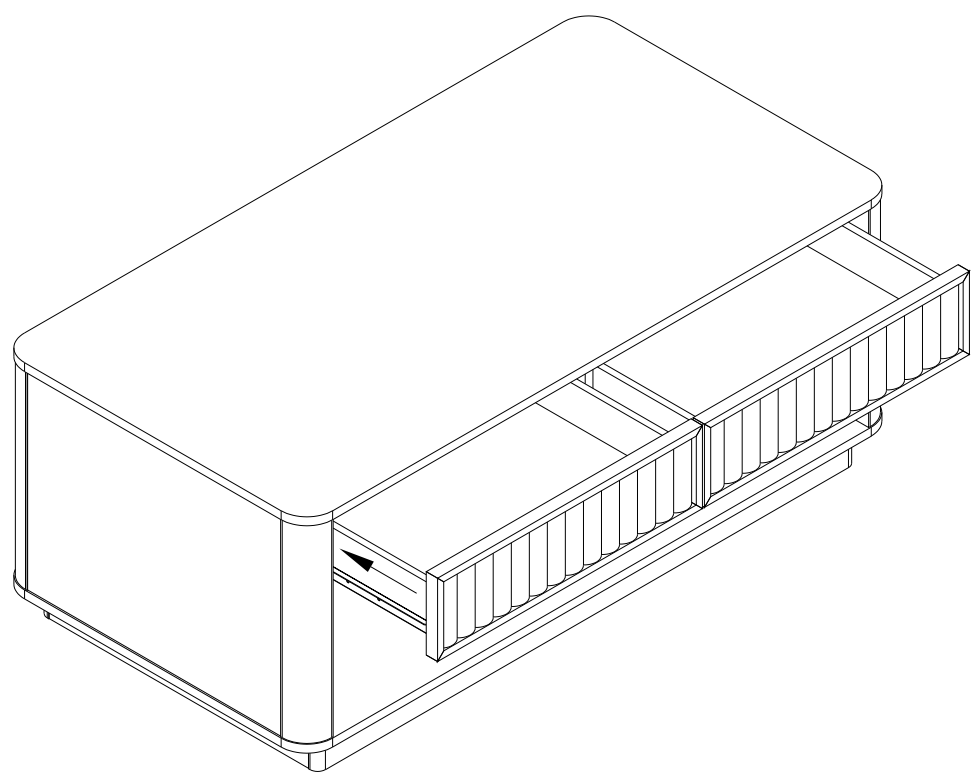
E	x12
	
M5x38mm	

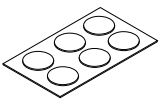
19



H	x2	I	x2	J	x12
					
					M3. 5x12mm

20



M	x3
	
ø25	

