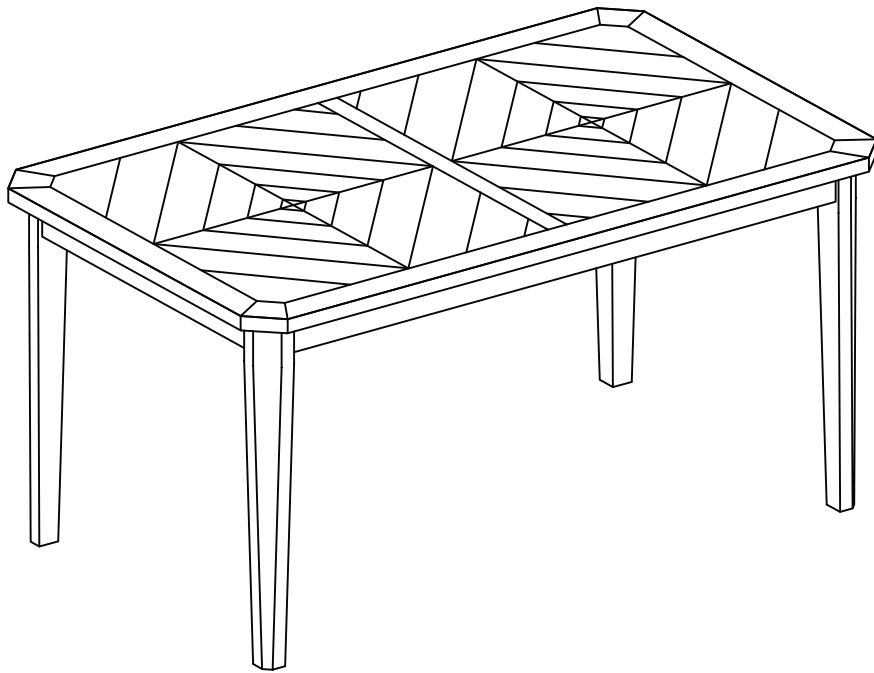


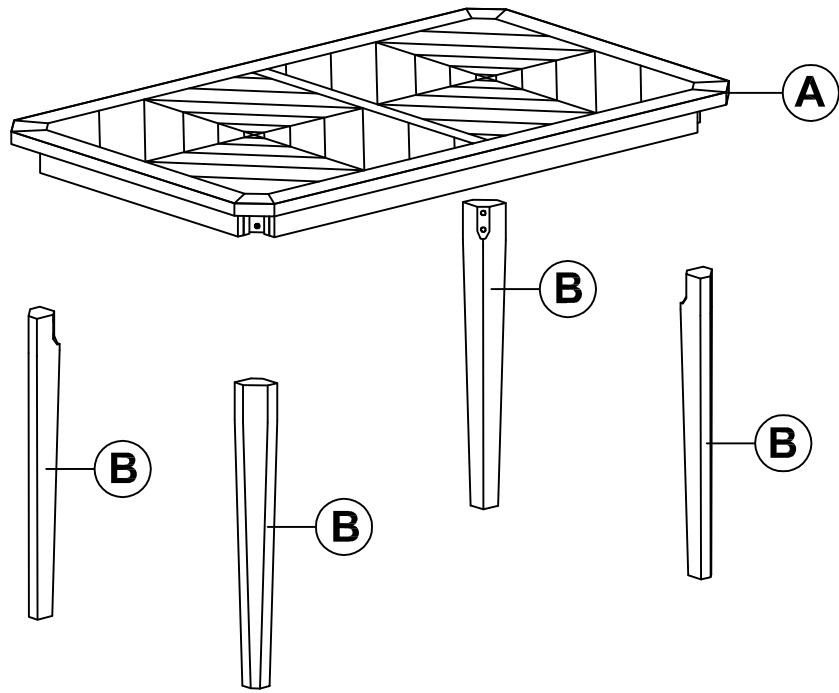
ASSEMBLY INSTRUCTION

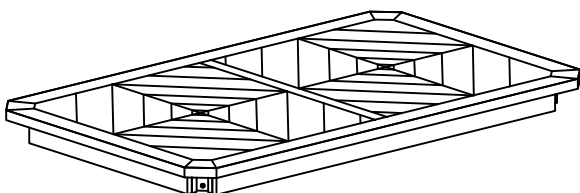



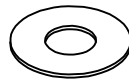

ITEM : WF530056 DINING TABLE



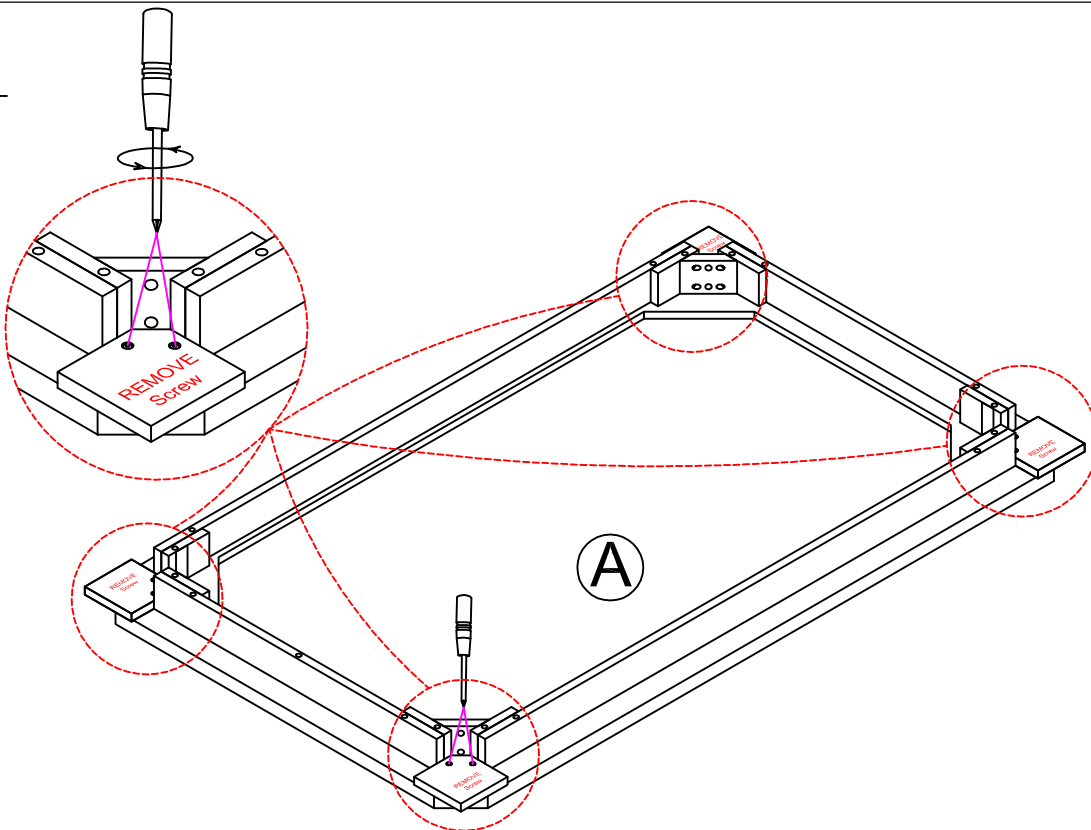
IMPORTANT NOTE:

- ① PLACE ALL PARTS ON A CLEAN AND SMOOTH SURFACE SUCH AS A RUG OR CARPET TO AVOID THE PARTS FROM BEING SCRATCHED.
- ② BEFORE YOU BEGIN, KINDLY FOLLOW THE ASSEMBLY INSTRUCTIONS STEP BY STEP.
- ③ DO NOT TIGHTEN ALL SCREWS AND BOLTS UNTIL THE TABLE IS FULLY SET-UP.





Part List For	Hardware List
<p>A</p>  <p>TABLE TOP (1pc)</p>	<p>1</p>  <p>Ø5/16"x 2 3/8" BOLT (8pcs)</p>
	<p>2</p>  <p>Ø5/16"x 12mm LOCK WASHER (8pcs)</p>
<p>B</p>  <p>TABLE LEG (4pcs)</p>	<p>3</p>  <p>Ø5/16"x 19mm FLAT WASHER (8pcs)</p>
	<p>4</p>  <p>4mm ALLEN KEY (1pc)</p>


Step 1

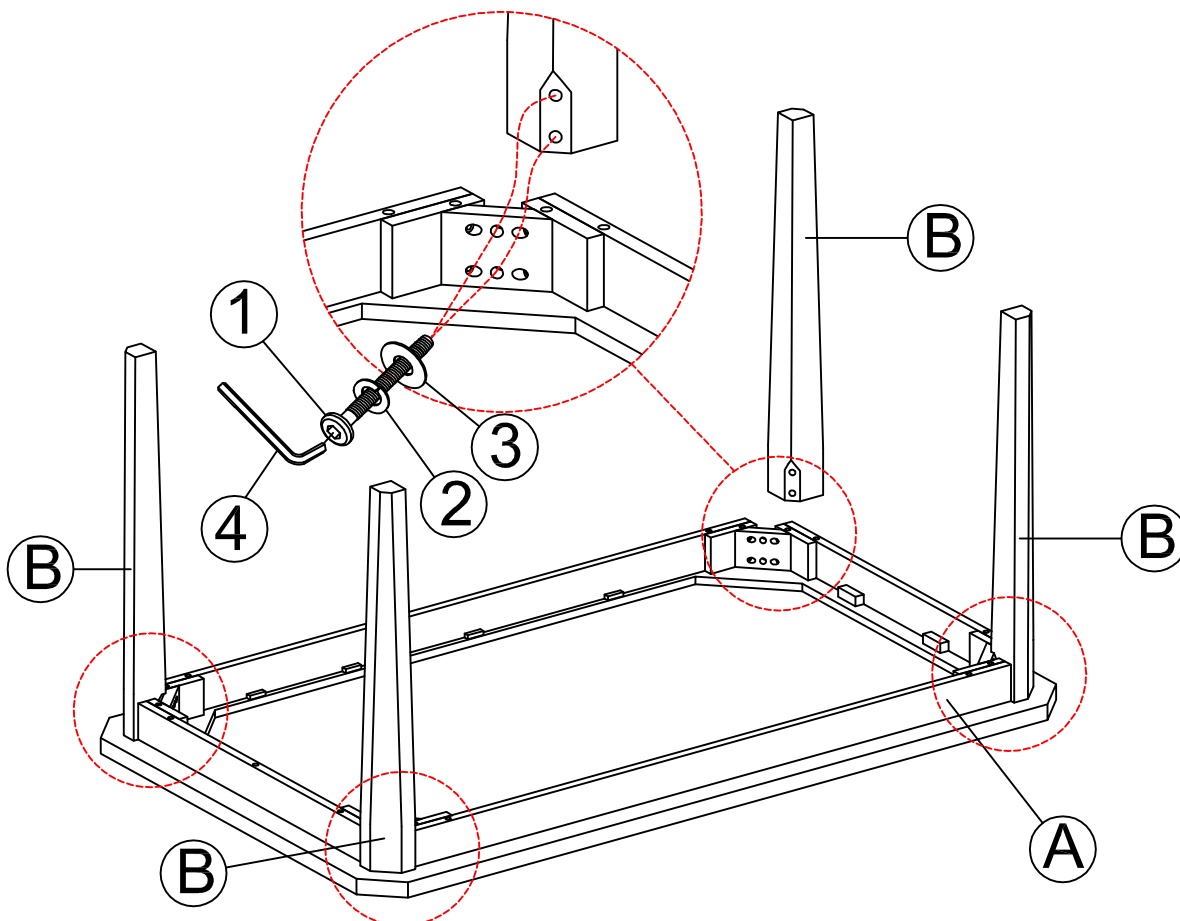


Step 2

Bolt 
 Ø5/16"x 2 3/8"
 ① x 8

Lock washer 
 Ø5/16"x 12mm
 ② x 8

Flat washer 
 Ø5/16"x 19mm
 ③ x 8



Complete

