



Thank you for supporting our mission to create a greener planet through reforestation. Before starting, please make sure all pieces listed in this manual are complete. And save this manual for future reference.

When assembling, we recommend placing all wooden parts on a soft, clean and flat surface to avoid scratches and damage while assembling your brand new MasayaCo piece.

Need any assistance?

Feel free to contact our Customer Service Team.

(615) 953 - 9373,

customerservice@masayacompany.com

or using our chat on www.masayacompany.com





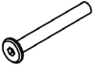

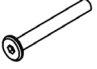

30 Min



2 people

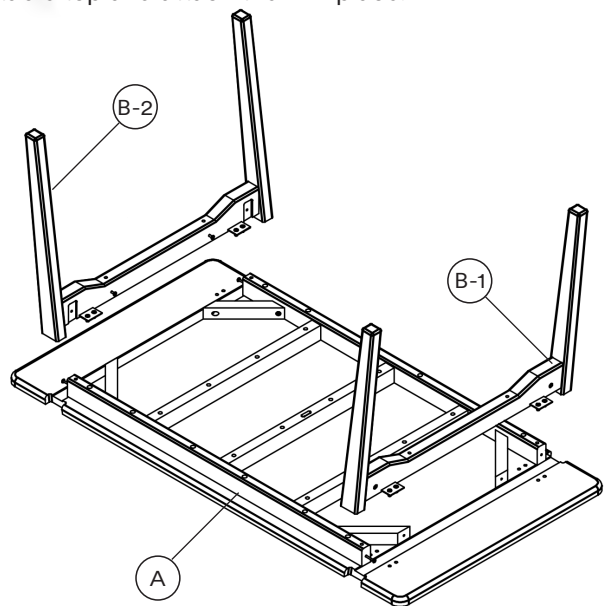


Allen Hex Key

ID	Description	Qty	Reference
(A)	Table Top	1	
(B)	Legs	2	
(C)	Decorative Head Bolt 13mm x 2"	4	
(D)	Decorative Head Bolt 13mm x 3/4"	16	
(E)	Decorative Head Bolt 13mm x 3"	4	
(F)	Allen Hex Key	1	

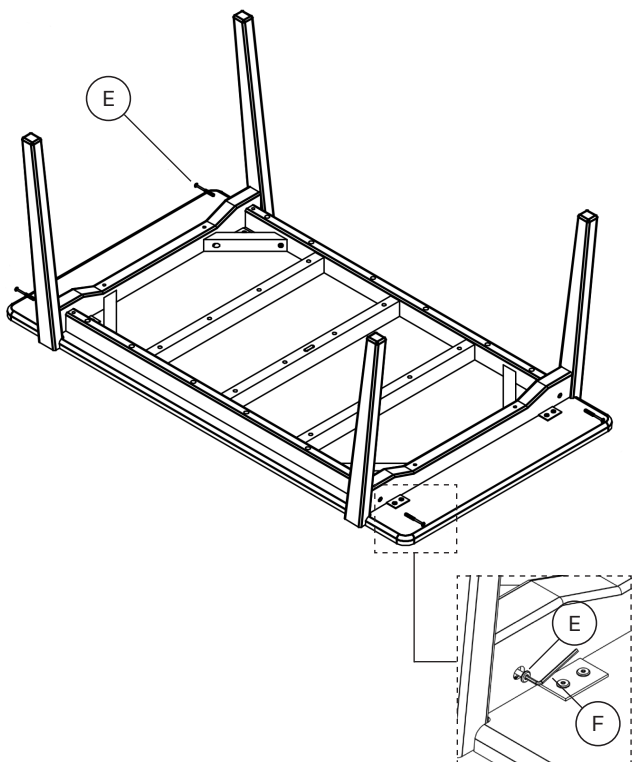
Step 1

Place Top (Piece A) face down on an elevated and soft surface then place the legs (Piece B) on the table top and attach them in place.



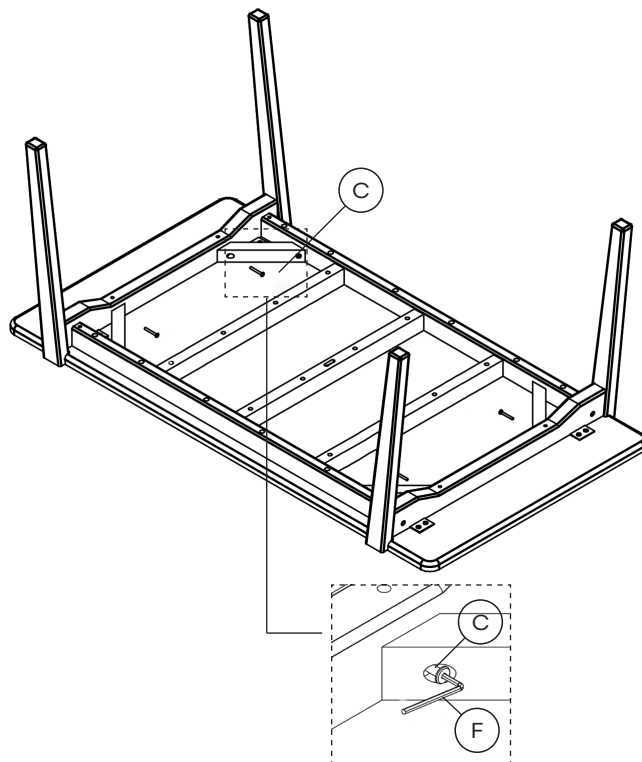
Step 2

Screw both legs with the Bolts (Pieces E). To screw this in place, please use the Allen Hex Key included.



Step 3

Repeat the same action with the pieces C on the inner holes.



Step 4

Lastly screw the bolts (Pieces D) to the hinge with the Allen Hex Key.

