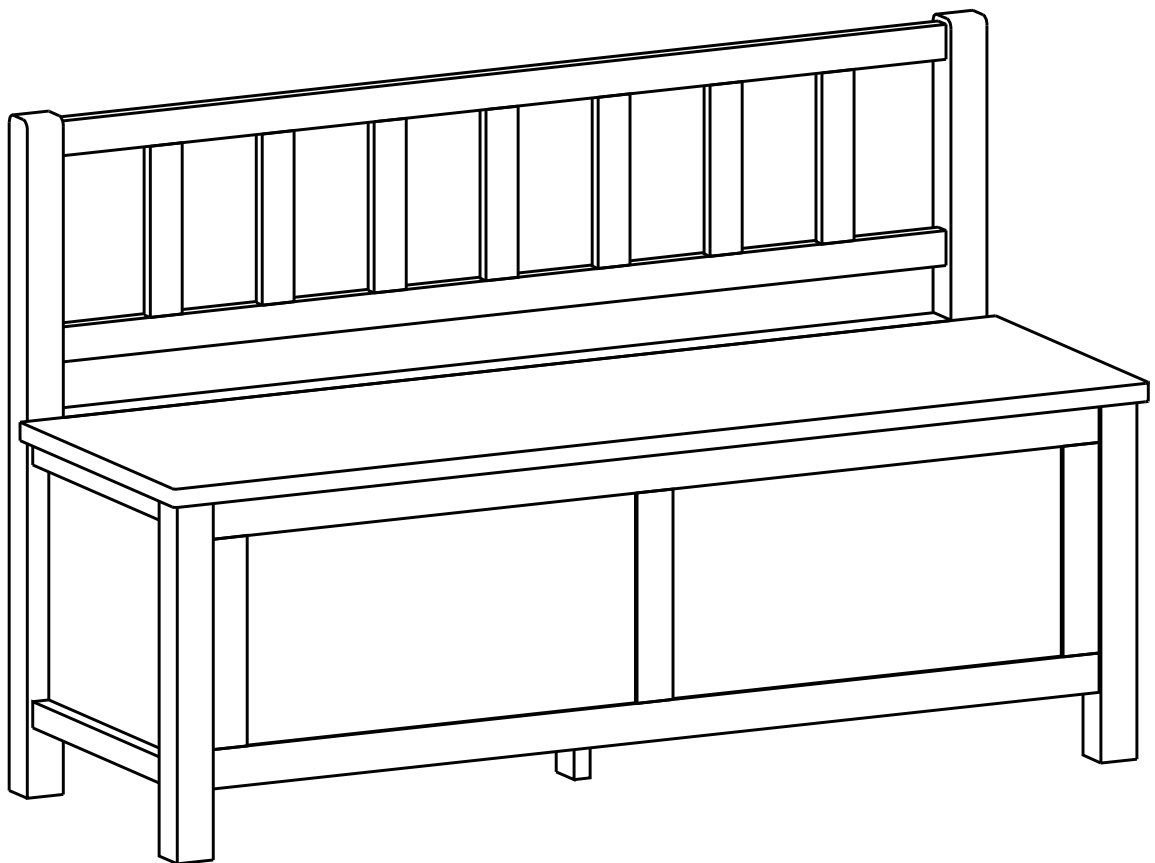


ENTRYWAY STORAGE BENCH





Questions, problems, assembly help, missing parts?

No need to return the product, we will gladly help and ship your replacement parts free of charge

In order to assist you in a timely manner, please have the following information ready:

Model # _____ Part Number or Letter _____

Purchased at _____ Date of Purchase _____

If you wish to return the product, please contact the retailer where the product was purchased.

IMPORTANT : Please read this manual carefully before beginning assembly of this product. Keep this manual for future reference.

SAFETY INFORMATION

Identify all the parts and hardware. Do not discard of the packaging until you have checked that you have all of the parts and hardware required. Hardware package may have spare parts.

WARNING: This item contains small parts which can be swallowed by children and pets. Keep children and pets away during assembly. To avoid danger of suffocation, always keep plastic bags away from children and pets. We recommend that you assemble this unit on a carpeted floor to avoid scratches. If using power tools, set the tool to low torque to avoid damage.

May require 2 people for ease of assembly.

IMPORTANT : Please read this manual carefully before beginning assembly of this product. Keep this manual for future reference.

CARE and MAINTENANCE

Perhaps the greatest environmental damage to wood furniture comes from wide swings in relative humidity (RH) in our homes. Wood absorbs and desorbs water as relative humidity rises and falls, and in doing so it swells and shrinks. Making matters worse, it expands and contracts unequally along different grain directions. As humidity changes, the components of wooden objects are continually pushing and pulling against each other. This pressure often results in parts of furniture no longer fitting together closely or becoming distorted or breaking from their own internal stresses.

The response to relative humidity changes begins with determining the annual average RH for your particular space. Then try to keep the RH in the space where your furniture is as close to that average as possible, generally within about 10% up or down. De-humidify in the summer and humidify in the winter.

Be aware that raising the temperature lowers the humidity and vice versa. Thus, modern heating systems, which can drive down interior RH in the winter, almost invariably cause problems for furniture. To counteract their effect, you can either modify the RH by keeping furniture containing spaces cooler in the winter or most importantly, have a good working humidifier for your home. A humidistat automatically works to balance the humidity in your home so it is constant. Dry indoor air can suck enough moisture from its surroundings to do permanent damage to wood, causing it to crack or split.

Remember, that not all woods are created equal. Two factors that help determine how rapidly a wood will lose moisture are pore size and surface hardness. A piece made from a dense and hard wood will dry less rapidly than pieces made from softer woods.

Furniture that is sealed and lacquered will lose moisture more slowly than an unfinished piece while pieces with veneer finishes are not only stronger, but lose moisture more slowly than other finishes.

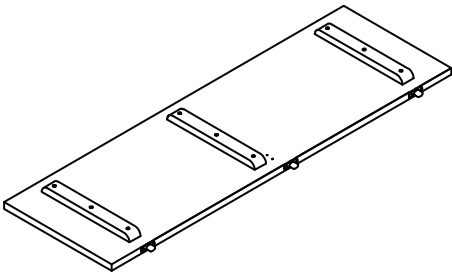
To help protect your wood furniture, take these steps:

- Use a humidifier, preferably one with an automatic control system that can sense the humidity level and adjust itself accordingly. Don't over-humidify; that can damage wood by causing it to expand and contract.
- Keep furniture out of direct sunlight, which can cause it to dry out, crack and warp.
- If you can avoid it, don't put furniture near heating vents. If you must, keep the piece 3 to 4 inches away from the wall, giving the heat and air space to circulate.
- Dust with soft dry cloth.
- Do not use liquid or aerosol products.
- To avoid marking, do not place rubber on surface (foot pads, etc.)
- For soil build-up, wipe with damp cloth & dry.
- Do not use abrasive cleaners.

PRE-ASSEMBLY INFORMATION

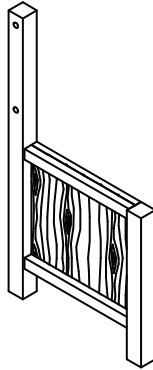
PARTS DESCRIPTION

A



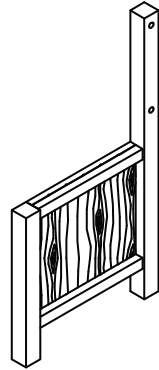
SEAT
QTY 1

BL



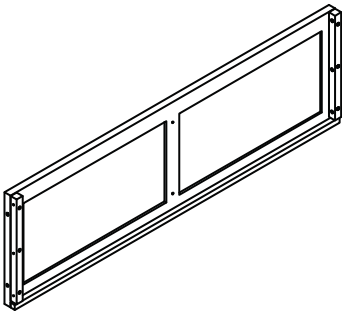
LEFT SIDE
QTY 1

BR



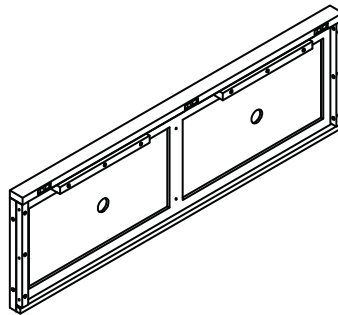
RIGHT SIDE
QTY 1

C



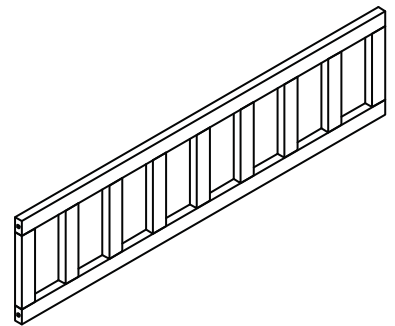
FRONT PANEL
QTY 1

D



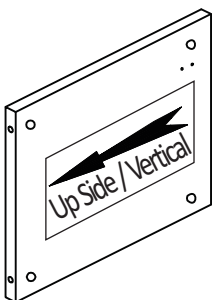
BACK PANEL
QTY 1

E



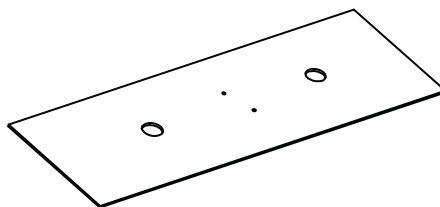
BACKREST
QTY 1

F



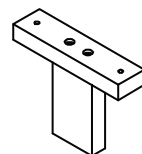
DIVIDER
QTY 1

G



BOTTOM PANEL
QTY 1

H



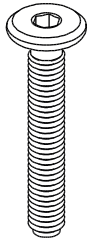
BOTTOM SUPPORT LEG
QTY 1

NEED HELP? For help with assembly or if you are missing a part,
Please call customer service

PRE-ASSEMBLY INFORMATION

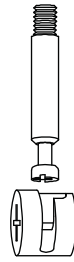
HARDWARE DESCRIPTION

1



ALLEN KEY BOLT
M6 X 50 mm
QTY 4

2



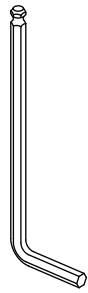
CAM LOCK PIN
CAM LOCK
QTY 4 SETS

3



WOOD DOWEL
Ø8 X 30 mm
QTY 8

4



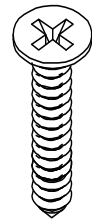
ALLEN KEY
QTY 1

5



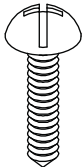
PHILLIPS SCREW
M4 X 15 mm
QTY 6

6



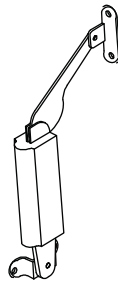
PHILLIPS SCREW
M4 X 35 mm
QTY 14

7



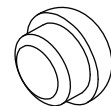
PHILLIPS SCREW
ROUND HEAD
M4 X 15 mm
QTY 4

8

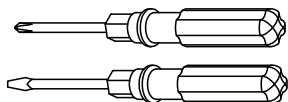


LID SUPPORT
QTY 1

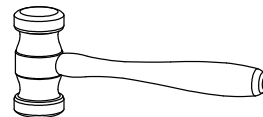
9



WOOD BOLT CAPS
QTY 4

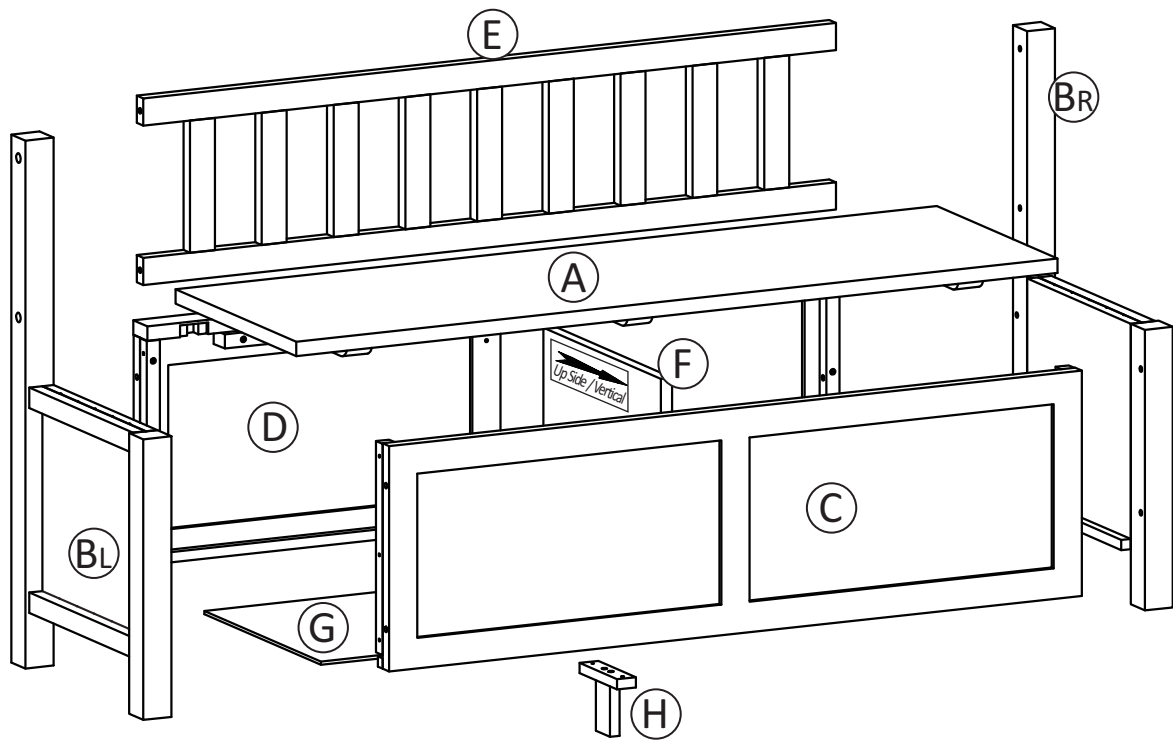


Required -
Flathead screwdriver
Phillips screwdriver
Rubber mallet
Not Included



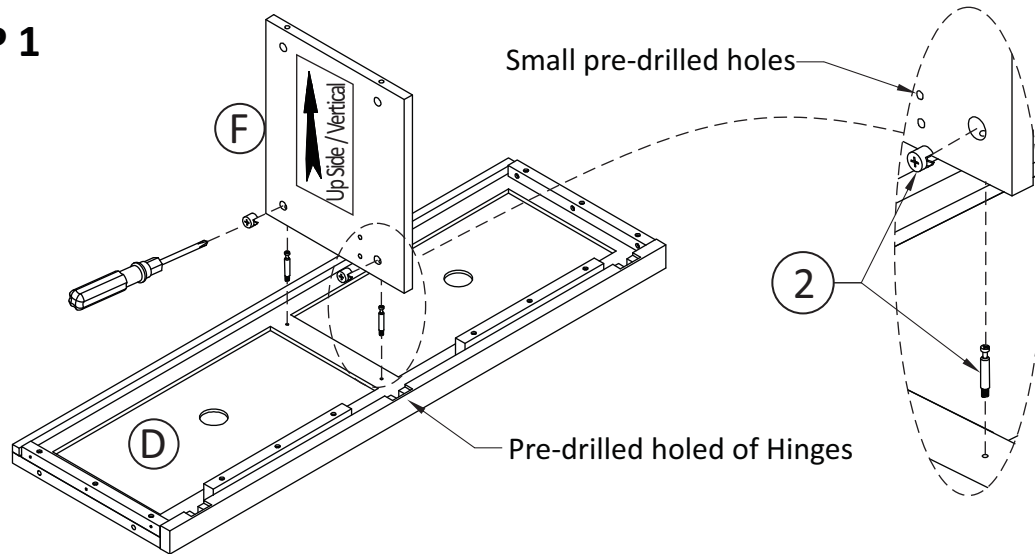
NEED HELP? For help with assembly or if you are missing a part,
Please call customer service

COMPONENTS – KEY DIAGRAM



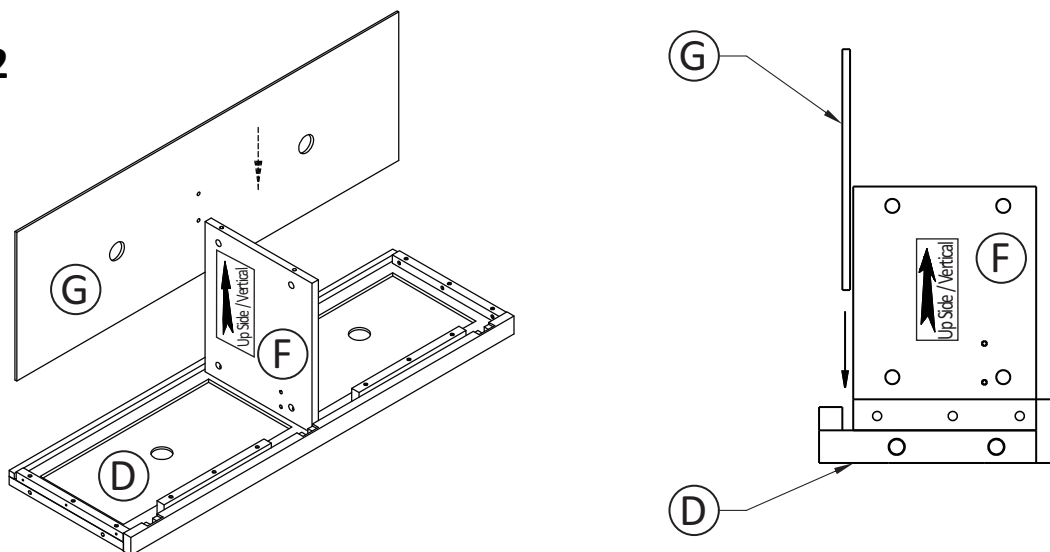
ASSEMBLY

STEP 1



1. Screw 2 threaded Cam Lock Pins (2) into pre-drilled holes on the back of Back Panel (D).
2. Screw only to where the threading ends and ensure they are straight. Do not use excessive force to over-screw cam lock pin.
(Note: please pay close attention to the location of the 2 small pre-drilled holes which accommodate the lid support. They need to be on the same side as the Pre-drilled hole of hinges.)
3. Align threaded cam lock pins in Panel (D) to the 2 pre-drilled holes leading to the round cam lock inserts in Divider (F).
4. Ensure alignment mark on cam lock insert point to exposed cam lock pin.
5. Use flathead screwdriver to turn cam lock inserts to ensure top of cam lock pin and panels fit flat together.
6. Use flathead screwdriver to tighten cam lock $\frac{1}{2}$ turn and feel it lock securely in place. Do not over-tighten.

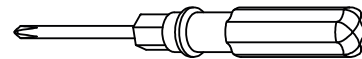
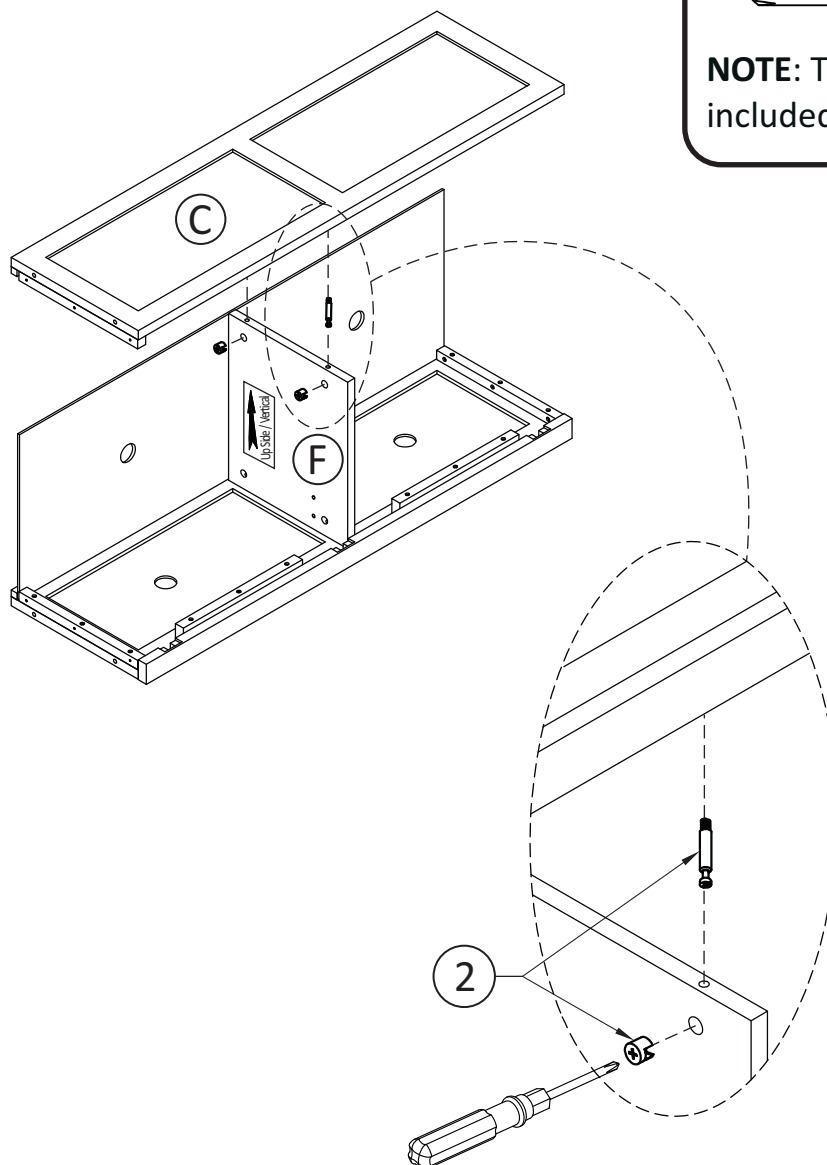
STEP 2



1. Inserted Bottom Panel (G) to groove of the Back Panel (D).

ASSEMBLY

STEP 3

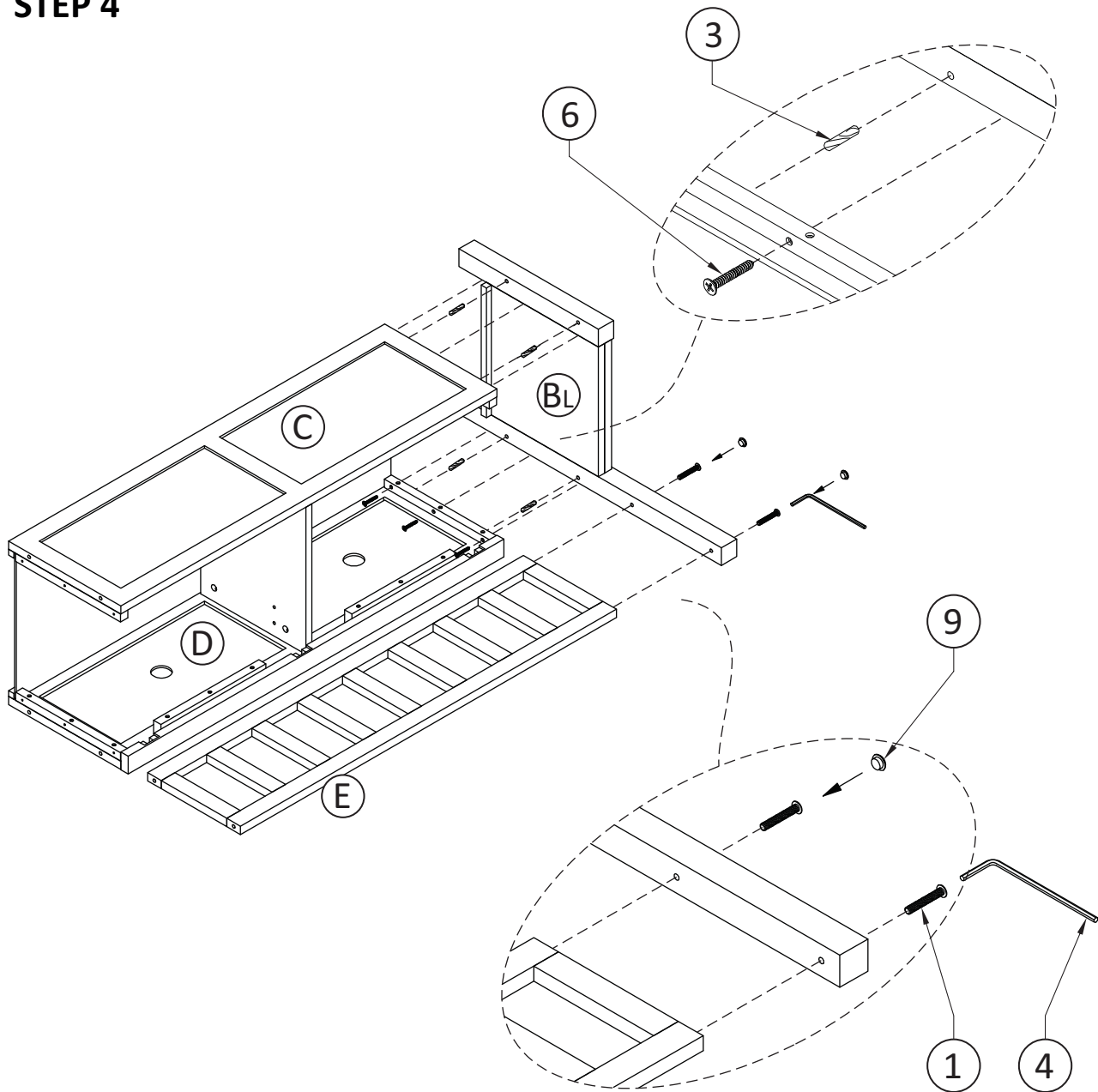


NOTE: The screwdriver is not included in the hardware pack.

1. Screw 2 threaded Cam Lock Pins (2) into pre-drilled holes on the back of Front Panel (C).
2. Screw only to where the threading ends and ensure they are straight. Do not use excessive force to over-screw cam lock pin.
3. Align threaded cam lock pins in Panel (C) to the 2 pre-drilled holes leading to the round cam lock inserts in Divider (F). End bottom panel must be located in the groove of the Front Panel (C).
4. Ensure alignment mark on cam lock insert point to exposed cam lock pin.
5. Use flathead screwdriver to turn cam lock inserts to ensure top of cam lock pin and panels fit flat together.
6. Use flathead screwdriver to tighten cam lock $\frac{1}{2}$ turn and feet it lock securely in place. Do not over-tighten.

ASSEMBLY

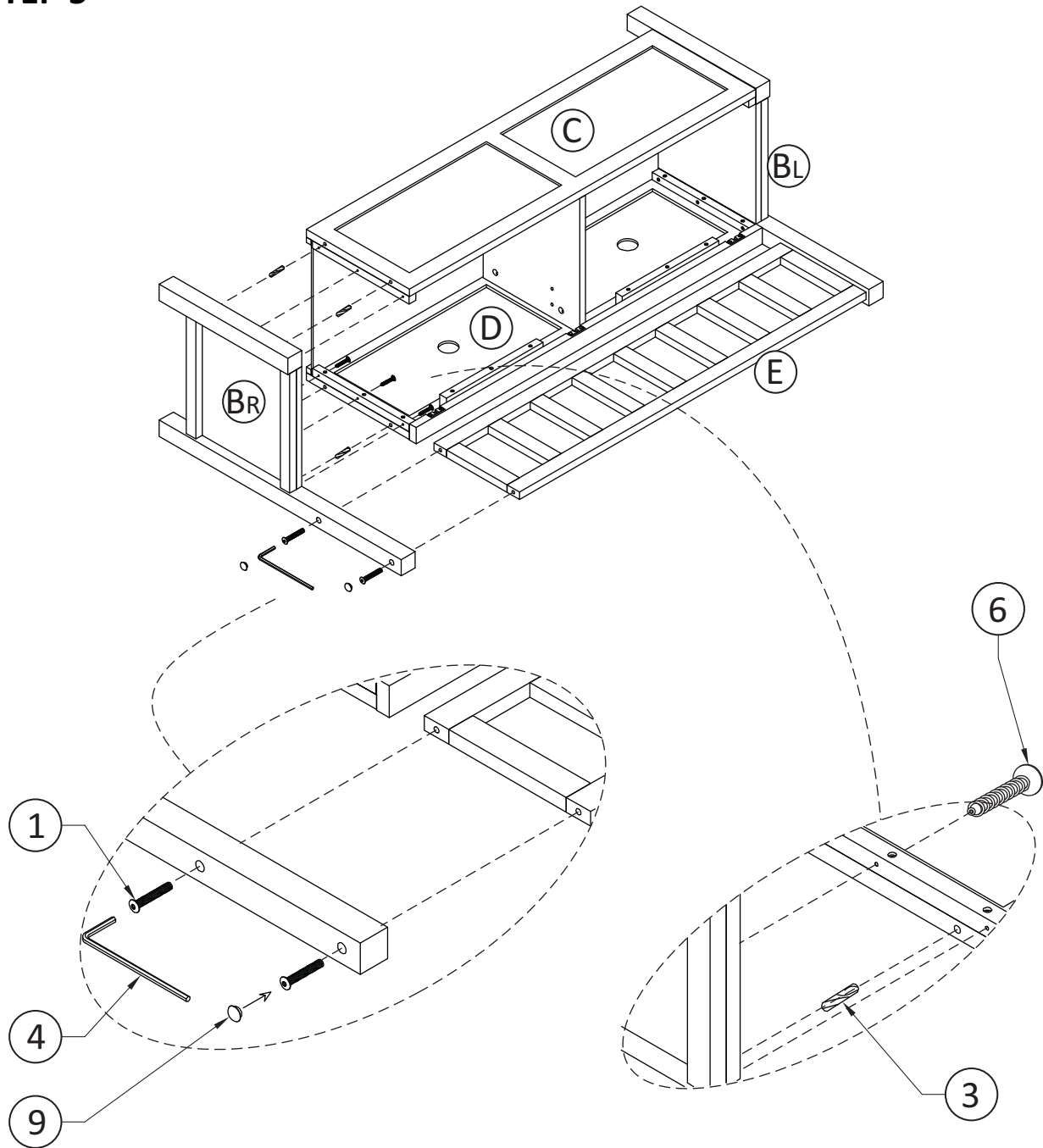
STEP 4



1. Align Left Side (BL) with assembled unit (Front Panel (C) and Back Panel (D)).
2. Insert 4 Wood dowels (3) into panel (C) and (D) .
3. Use rubber mallet to tap Dowels (3) into bottom of holes securely. 1/2 length of Dowels should be exposed.
4. Attach by inserting 6 Phillips Screws (6) into pre-drilled holes on the panel (C) and (D) .
5. Align Backrest (E) with Left Side (BL) and fix by 2 Allen Key Screws (1) .
6. Use Allen Key (4) to tighten screws. Do not over-tighten.
7. Insert 2 Wood Bolt Caps (9) into exposed bolt holes on side of bench.

ASSEMBLY

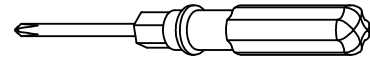
STEP 5



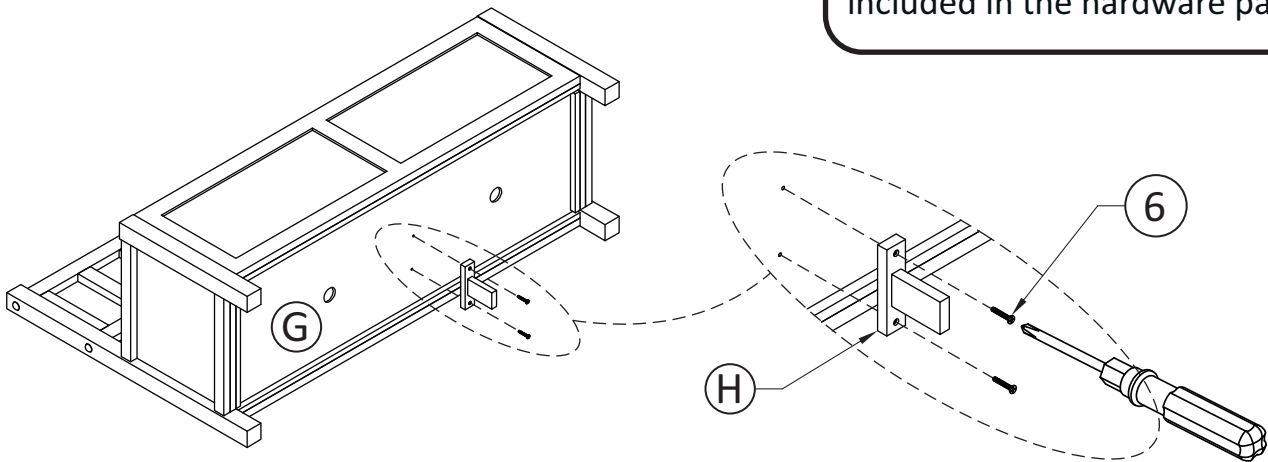
1. Align Right Side (BR) with assembled unit (Front Panel (C) and Back Panel (D)).
2. Insert 4 Wood dowels (3) into panel (C) and (D) .
3. Use rubber mallet to tap Dowels (3) into bottom of holes securely. 1/2 length of Dowels should be exposed.
4. Attach by inserting 6 Phillips Screws (6) into pre-drilled holes on the panel (C) and (D) .
5. Align Backrest (E) with Right Side (BR) and fix by 2 Allen Key Screws (1) .
6. Use Allen Key (4) to tighten screws. Do not over-tighten.
7. Insert 2 Wood Bolt Caps (9) into exposed bolt holes on side of bench.

ASSEMBLY

STEP 6

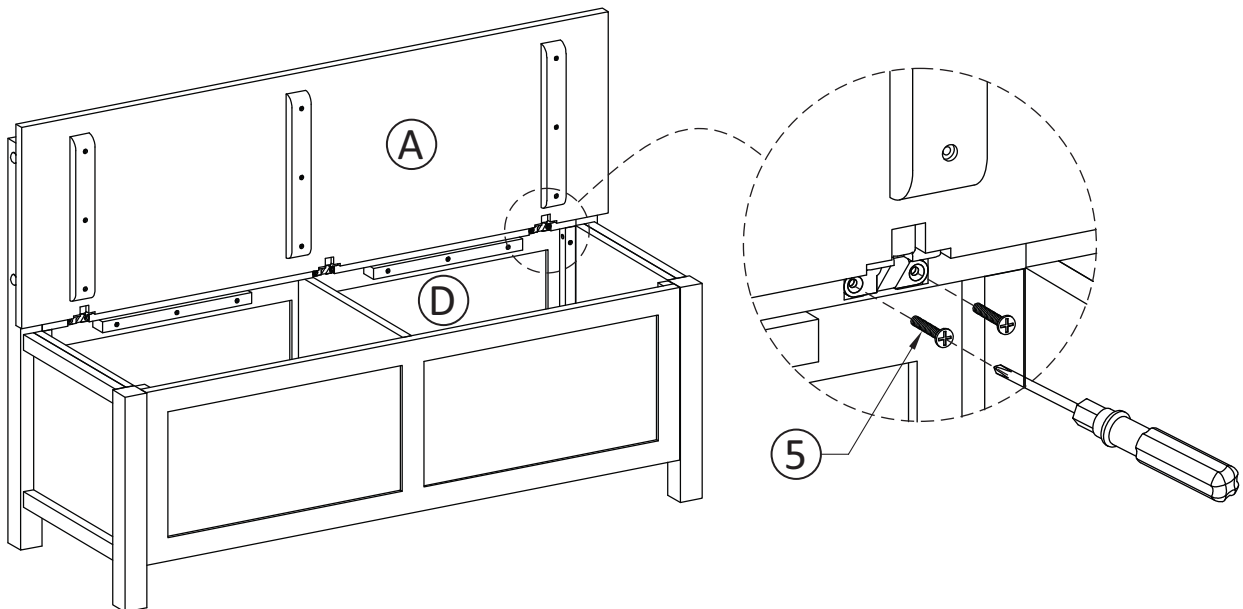


NOTE: The screwdriver is not included in the hardware pack.



1. Use 2 Phillips Screws (6) to attach Bottom Support Leg (H) into bottom of Bottom Panel (G) using centre support guide holes.
2. Use Phillips screwdriver to tighten screws. Do not over-tighten.

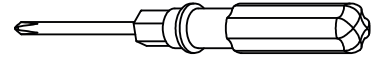
STEP 7



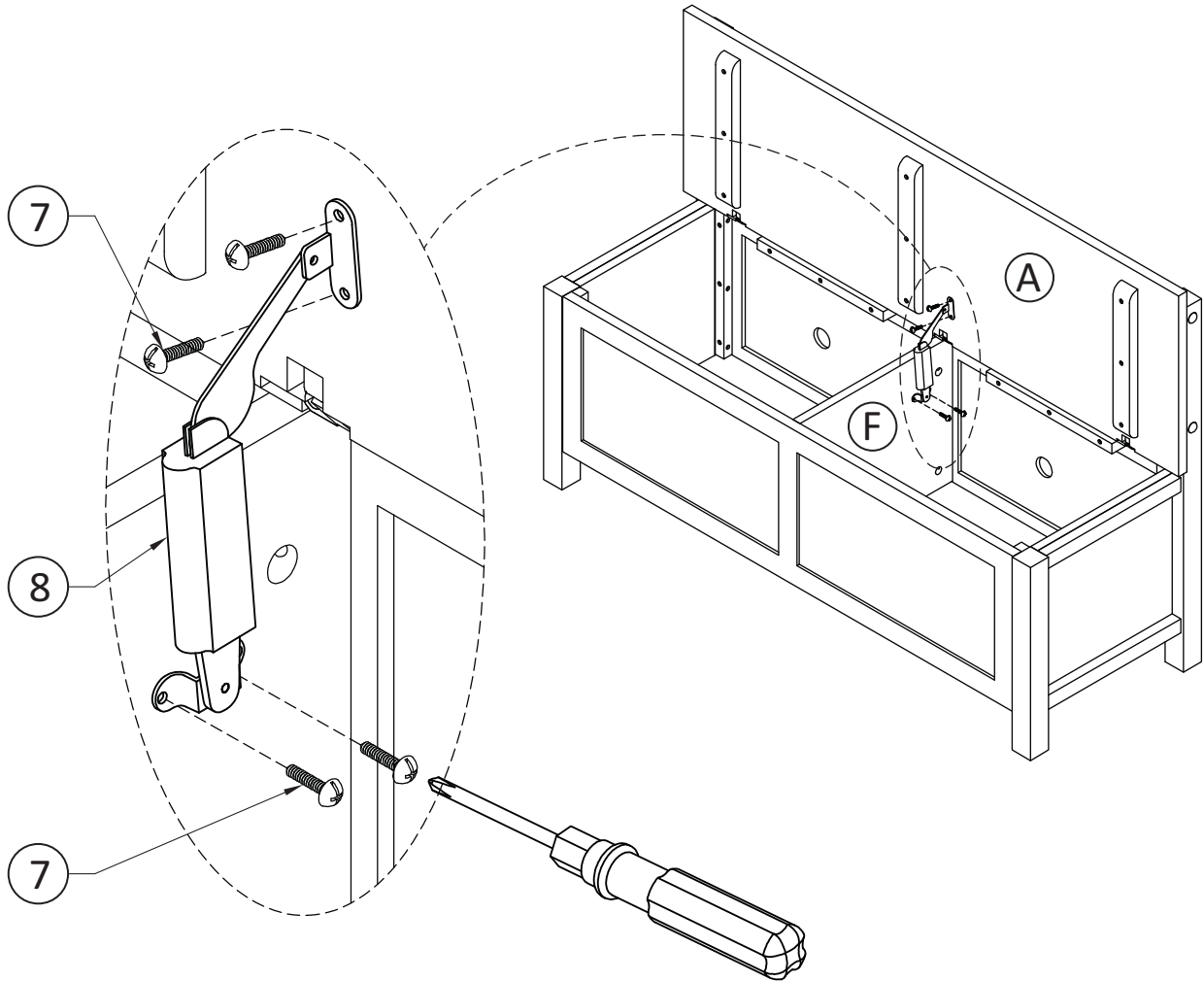
1. Align Seat (A) with assembled unit (Back Panel (D)).
2. Use 6 Phillips Screws (5) to fix by part (A) to part (D) .
3. Use Phillips screwdriver to tighten screws. Do not over-tighten.

ASSEMBLY

STEP 8



NOTE: The screwdriver is not included in the hardware pack.



1. Attach Lid Support (8) with assembled unit (Seat (A) and Divider (F)).
2. Attach by inserting 4 Phillips Screws Round Head (7) into pre-drilled holes.
3. Use Phillips screwdriver to tighten screws. Do not over-tighten.

WARRANTY

Thank you for purchasing our product. These products have been made to demanding, high-quality standards and are guaranteed for domestic use against manufacturing faults for a period of 12 months from the date of purchase. This warranty does not affect your statutory rights.

In case of any malfunction of your product (failure, missing parts, etc.) please contact us at our toll free service line or by email

We reserve the right to repair or replace the defective product, at its discretion.

This product is guaranteed for 12 months if used for normal purposes. Any warranty is invalid if the product has been overloaded or subject to neglect, improper use or an attempted repair by other than an authorized agent. Heavy-duty or daily professional/commercial usage are not guaranteed.

Due to continuous product improvement, we reserve the right to change the product specifications without prior notice.