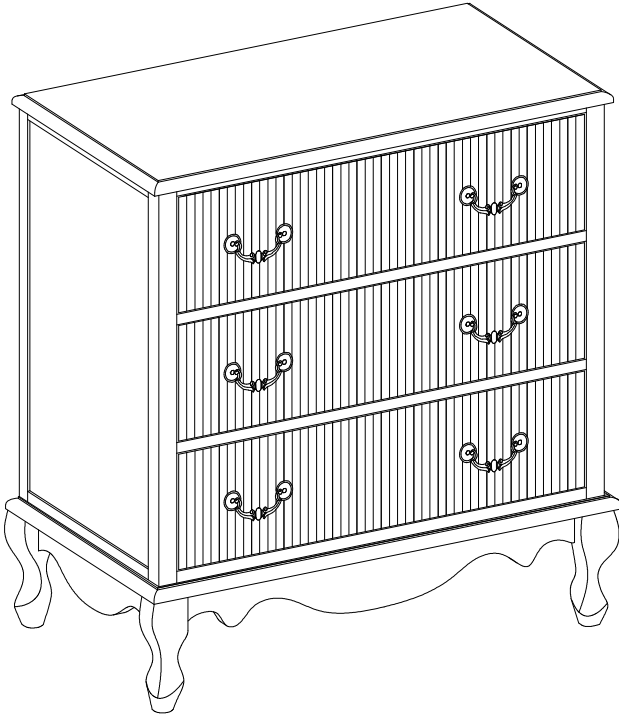


# Owner Manual



---

## NOTE:

This brochure contains IMPORTANT safety info. Please read and keep for future reference.

---

# MAINTAINANCE AND WARNING

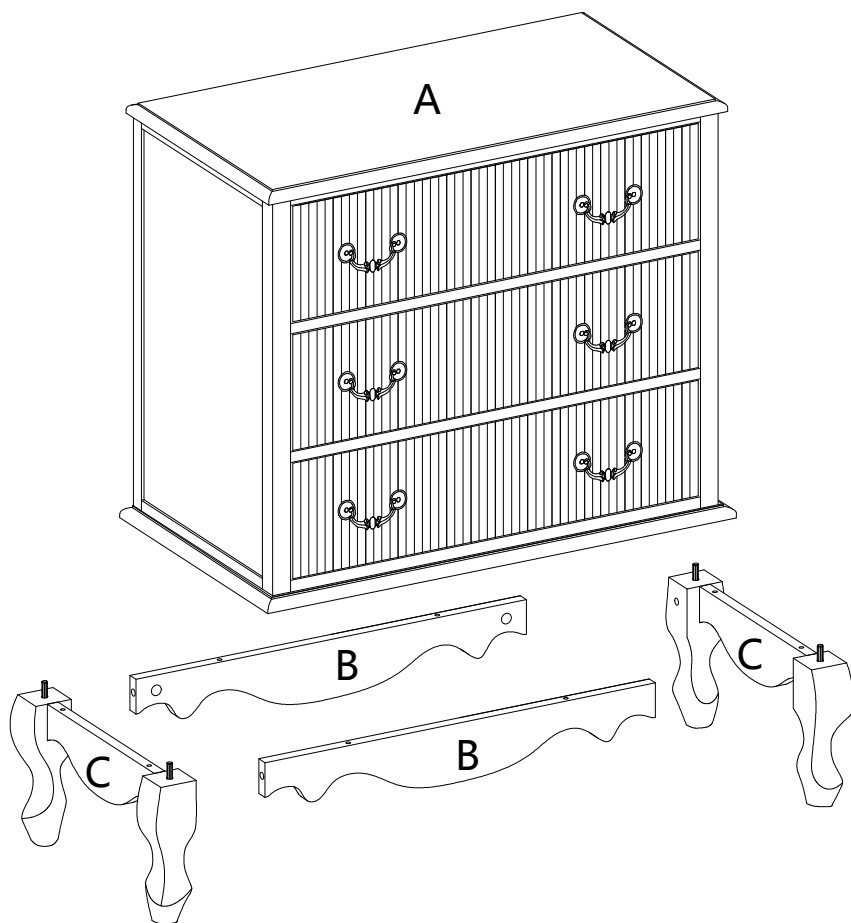
- 1.Keep furniture away from heat sources.
- 2.Do not clean furniture with harsh cleaner or polishes.Do not use detergents,solvents,abrasives,spray packs or leather cleaner. Use non-color mild soa with warm water to clean spills(Mix 1:10 soap to water).
- 3.Do not place furniture under direct sunlight,material will possibly fade over time.
- 4.Do not use on site dry cleaning machine.Children should not climb or jump on the furniture.
- 5.Do not write on furniture that is not protectedby a padded barrier.
- 6.Not for commercial use,only for residential use.



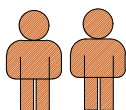
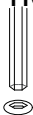
Weight Limitation

**110 LBS**

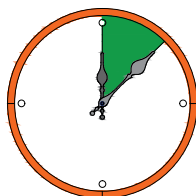
# EXPLOSIVE VIEW



Tools needed

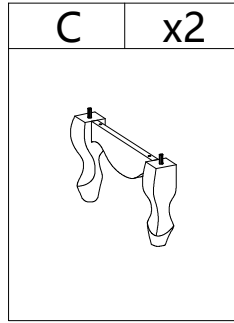
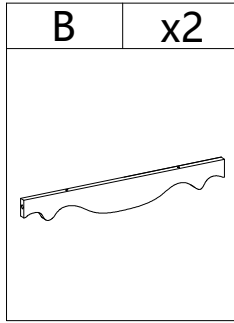
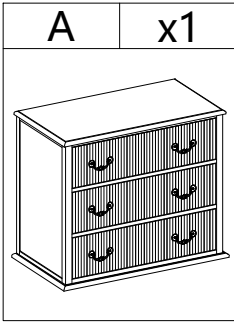


Two persons









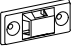


Around 15 min


# PARTS LIST







# HARDWARE LIST

#1	x4	#2	x4	#3	x4	#4	x8	#5	x2	#6	x2
											
Ø6*35mm		Ø14*11mm				M4*40mm		M3.5*14mm		M4*35mm	
#7	x2	#8	x1	#9	x2						
											

# TOOL LIST

#10	x1
	

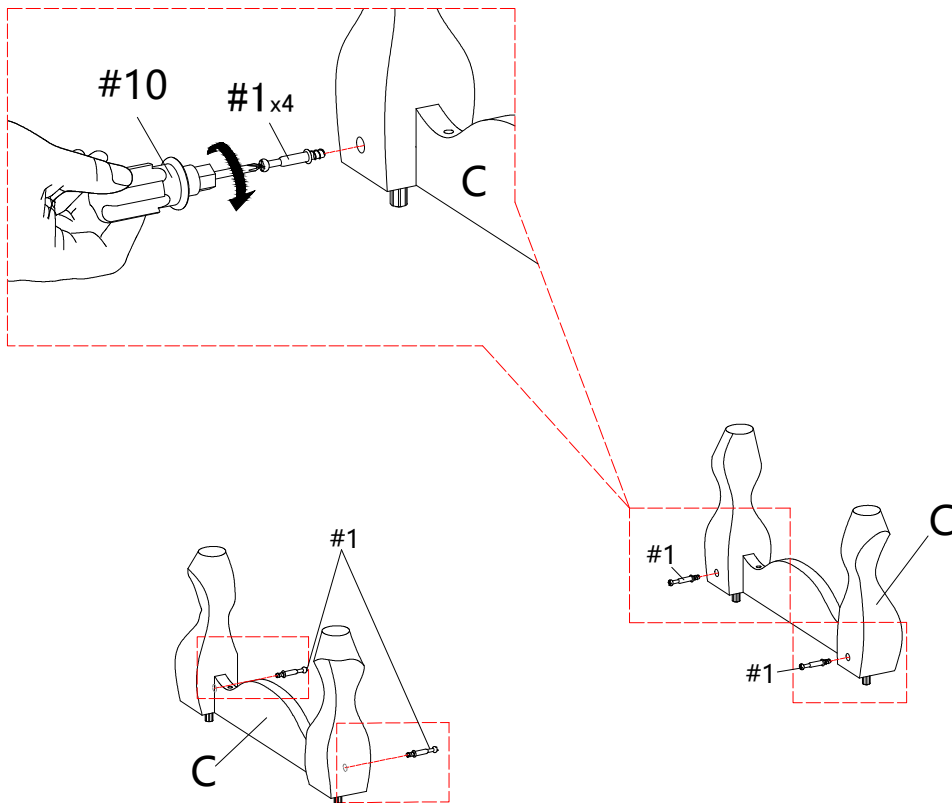
# HARDWARE SPARE LIST



#1	x1	#4	x1	#5	x1	#6	x1
							
Ø6*35mm		M4*40mm		M3.5*14mm		M4*35mm	

# ASSEMBLY INSTRUCTIONS

## STEP-1

Insert screw bolt #1 into the corresponding hole of leg (C), tighten bolt #1 with screwdriver #10.

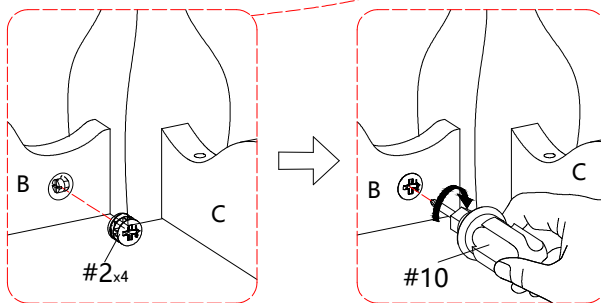
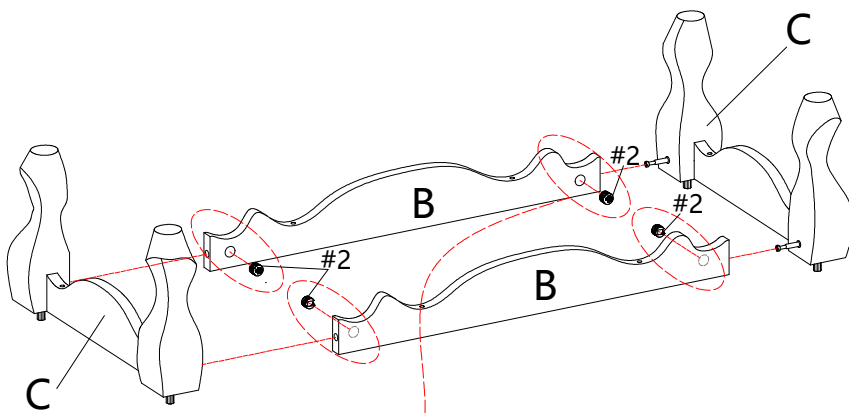


#1	x4	#10	x1
			
Ø6*35mm			


# ASSEMBLY INSTRUCTIONS

## STEP-2

Insert leg (C) into the panel (B), and then insert cam bolt #2 into the panel (B) tighten cam bolt #2 with screwdriver #10.



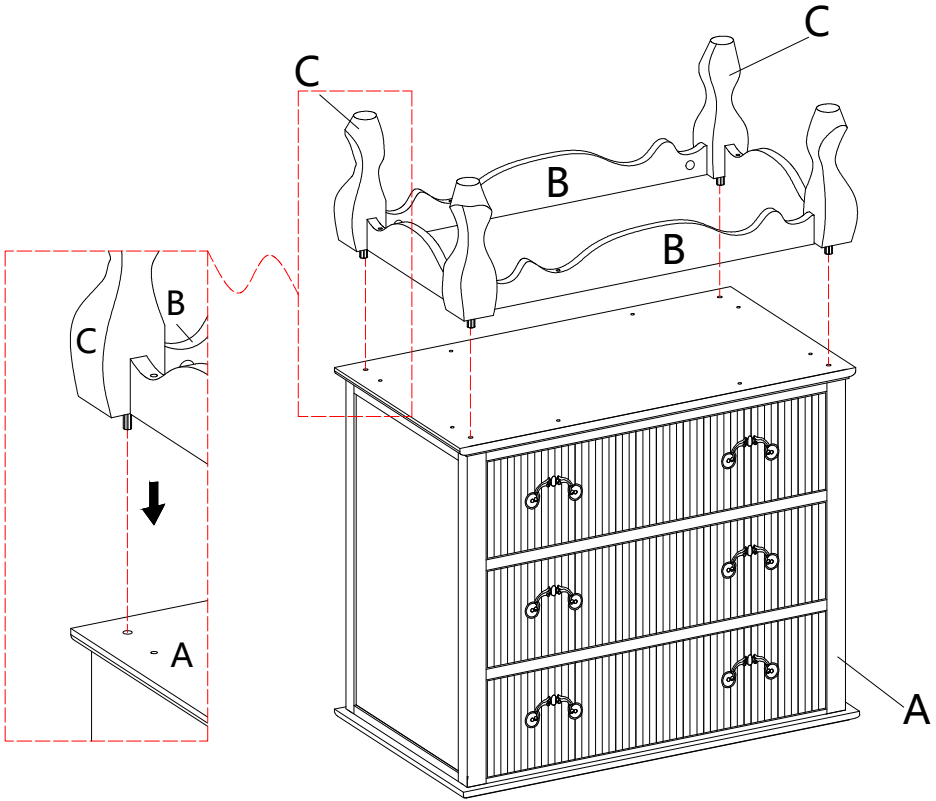
#2	x4
	
Ø14*11mm	

#10	x1
	

# ASSEMBLY INSTRUCTIONS

## STEP-3

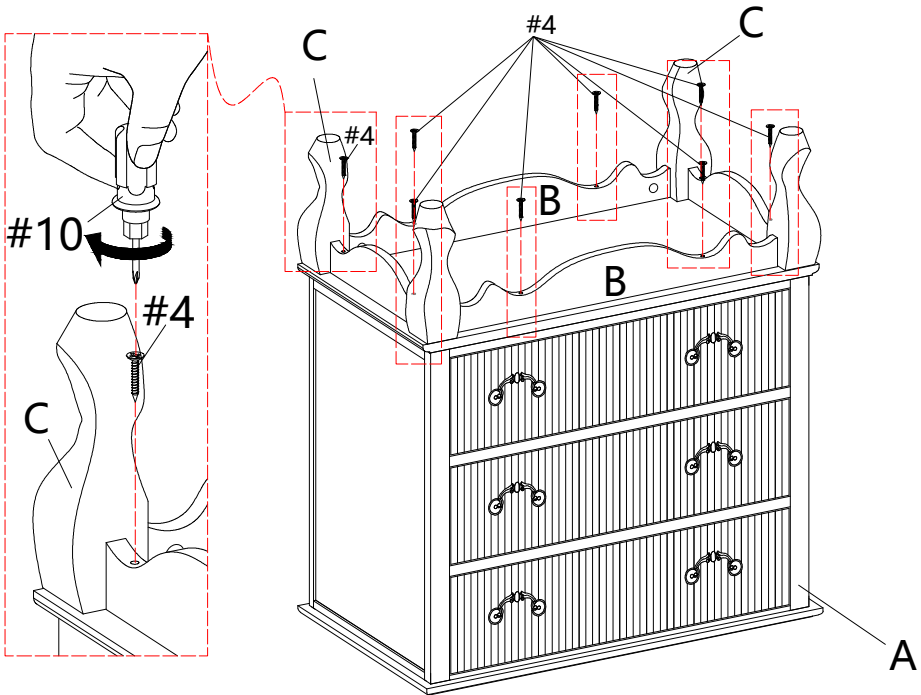
Insert preassemble step 2 into panel (A) and make sure all the holes are aligned.





# ASSEMBLY INSTRUCTIONS

## STEP-4

In preassemble step 3, make sure all holes aligned and then use bolt #4 to attach them, tighten bolt #4 with screwdriver #10.

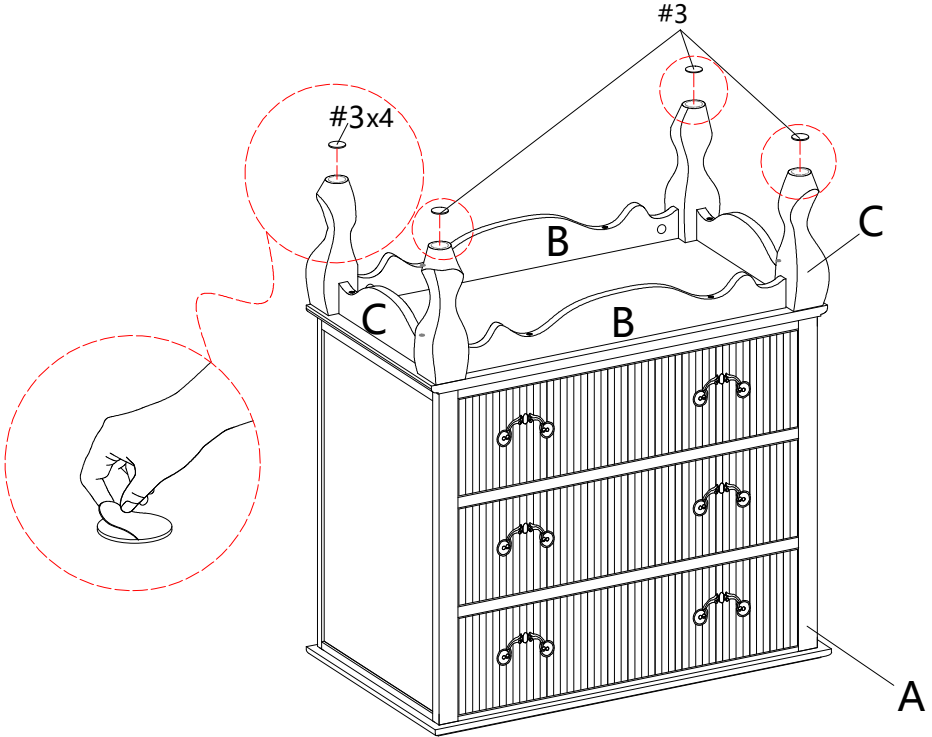



#4	x8	#10	x1
			
M4*40mm			

# ASSEMBLY INSTRUCTIONS


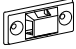

## STEP-5

As shown in the figure,remove the #3 back protective layer and attach the felt mat #3 to the leg (C).



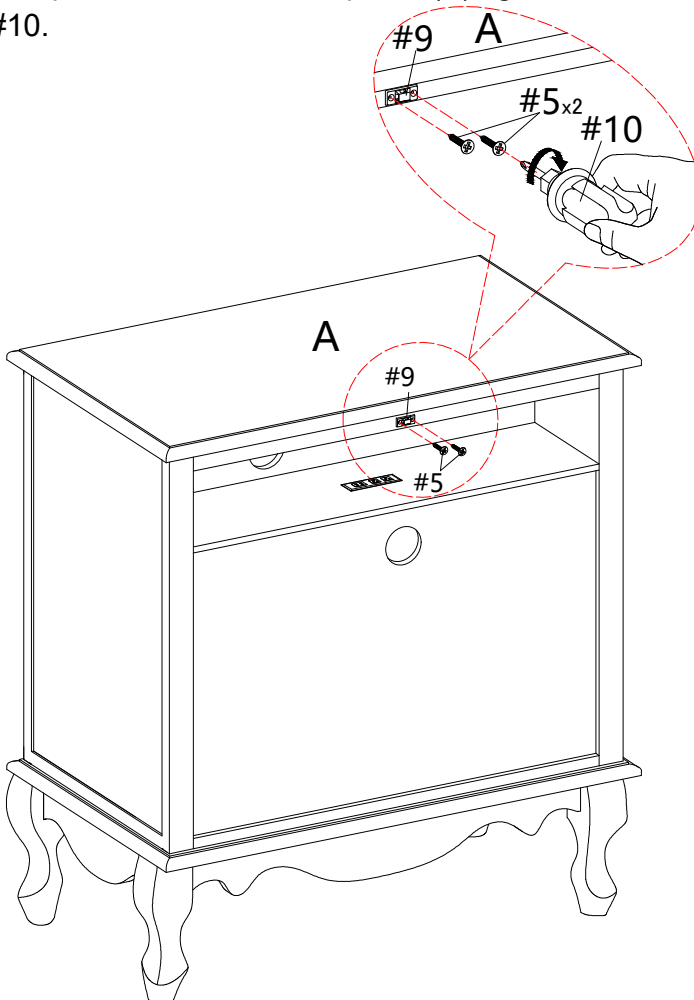
#3	x4
	

# ASSEMBLY INSTRUCTIONS



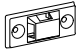

#5	x2	#9	x1	#10	x1
					
M3.5*14mm					

## STEP-6

Use screw #5 to plastic bracket #9 to panel (A), tighten screw #5 with screwdriver #10.

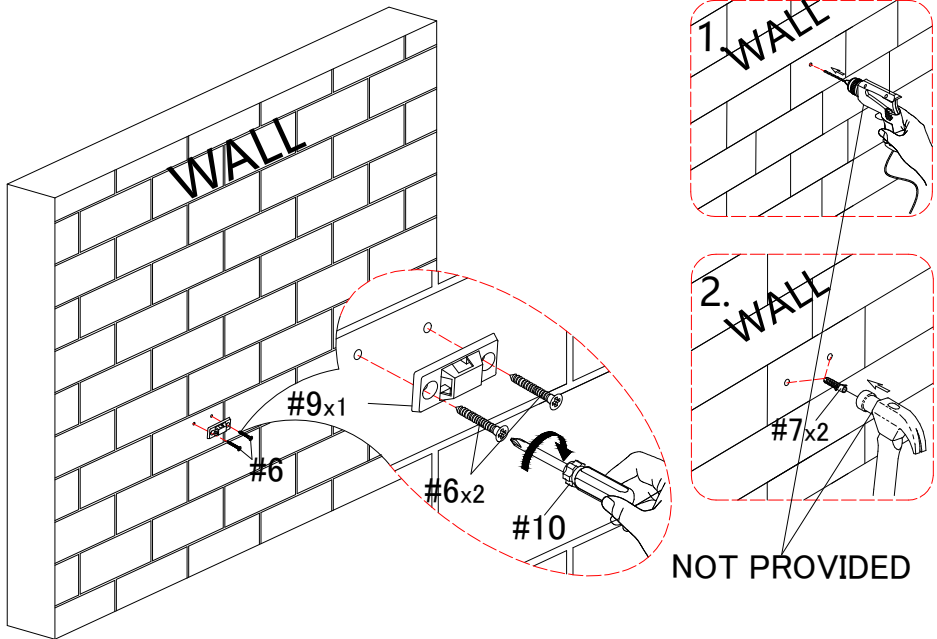


# ASSEMBLY INSTRUCTIONS

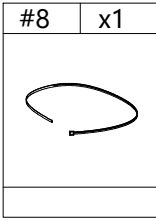
#6	x2	#7	x2	#9	x1	#10	x1
							
M4*35mm							

## STEP-7:

1. Mark the position on the wall, that corresponds to the location of bracket #9 on the top panel (A); Drill and insert the expandable screw #7 by hammer.
2. Assemble the bracket #9 to the wall. Align the hole in the bracket #9 with the expandable screw #7, use screw #6 to attach it, tighten screw #6 with screwdriver #10.

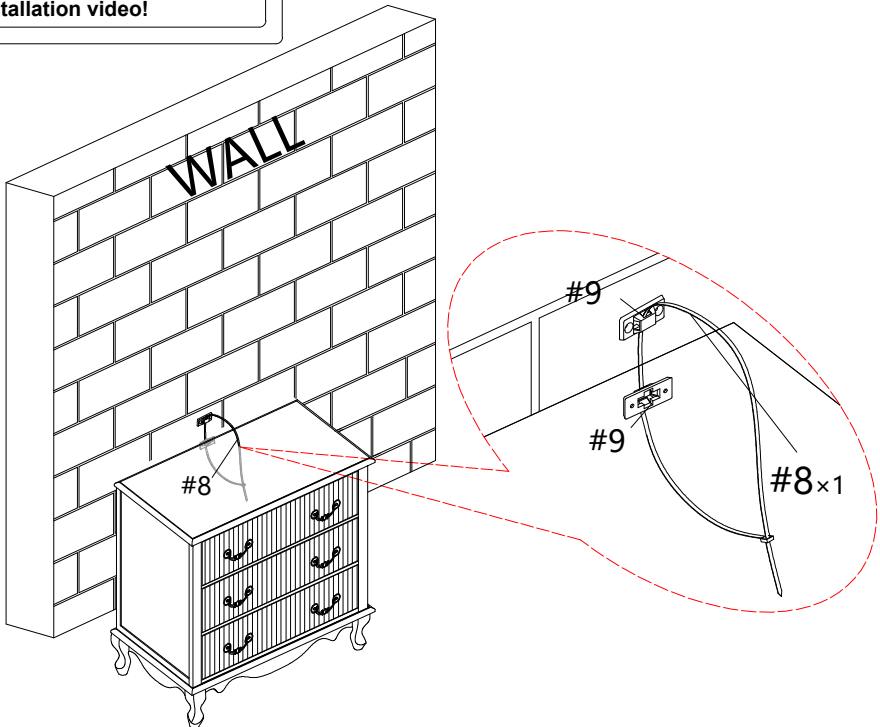
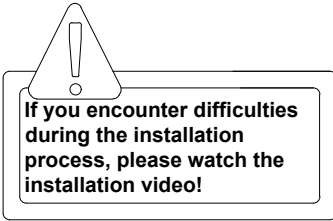


# ASSEMBLY INSTRUCTIONS



## STEP-8:

3. Let the plastic belt #8 pass through bracket #9 and pull tightly.



# WARRANTY

1. We strive to offer high-quality products, and we also try our best to satisfy each and every customer that orders from us with product or service as needed.
2. We provide 30 days warranty starting from the time you receive the item. Each customer must provide a record of their order such as the order number, or item receipt for any items that are out of the warranty period you may also still receive.
3. Replacement parts by purchasing them with our company if they are available.