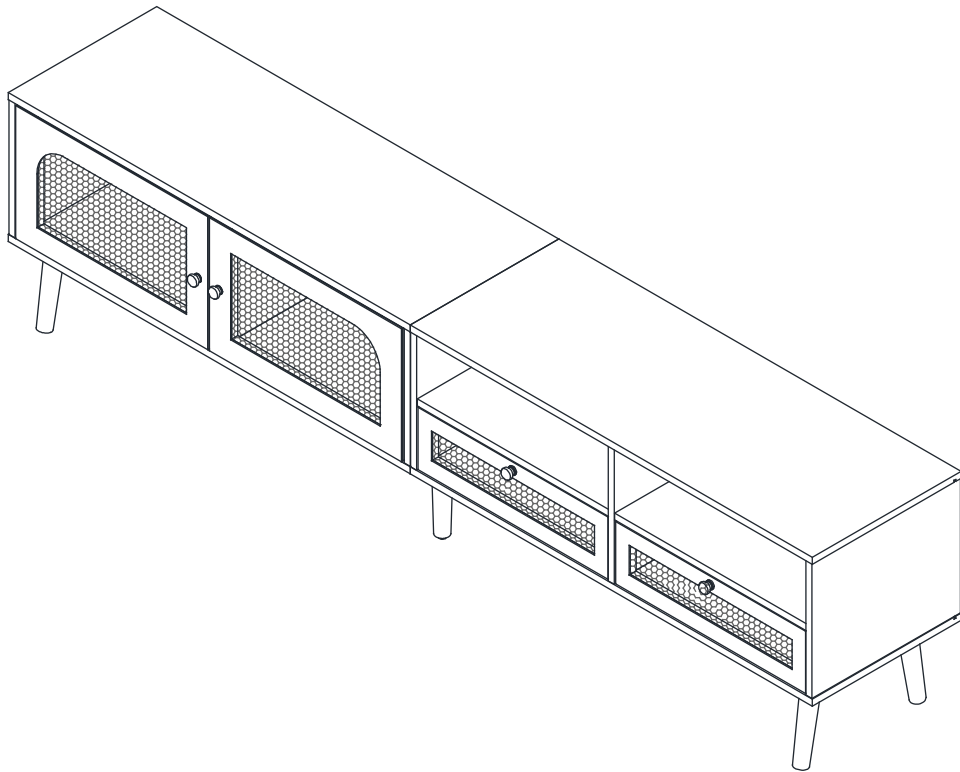


TV STAND

USER MANUAL



SAVE THESE INSTRUCTIONS FOR FUTURE USE

PLEASE DO NOT RETURN TO STORE



**Please do not return this product to the retailer!!
We are able to assist you in ANY way**

If you find that you have any trouble with assembly or missing or damaged parts please contact the seller.

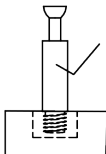
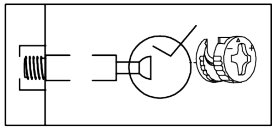
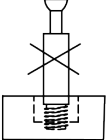
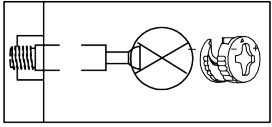
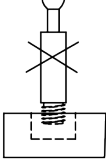
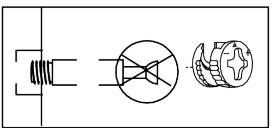
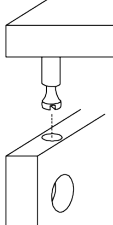
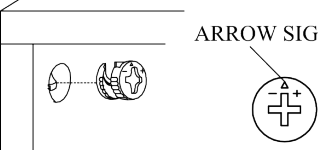
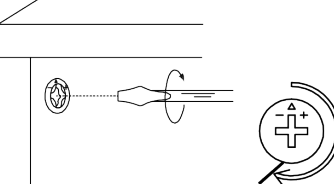
Before Installation

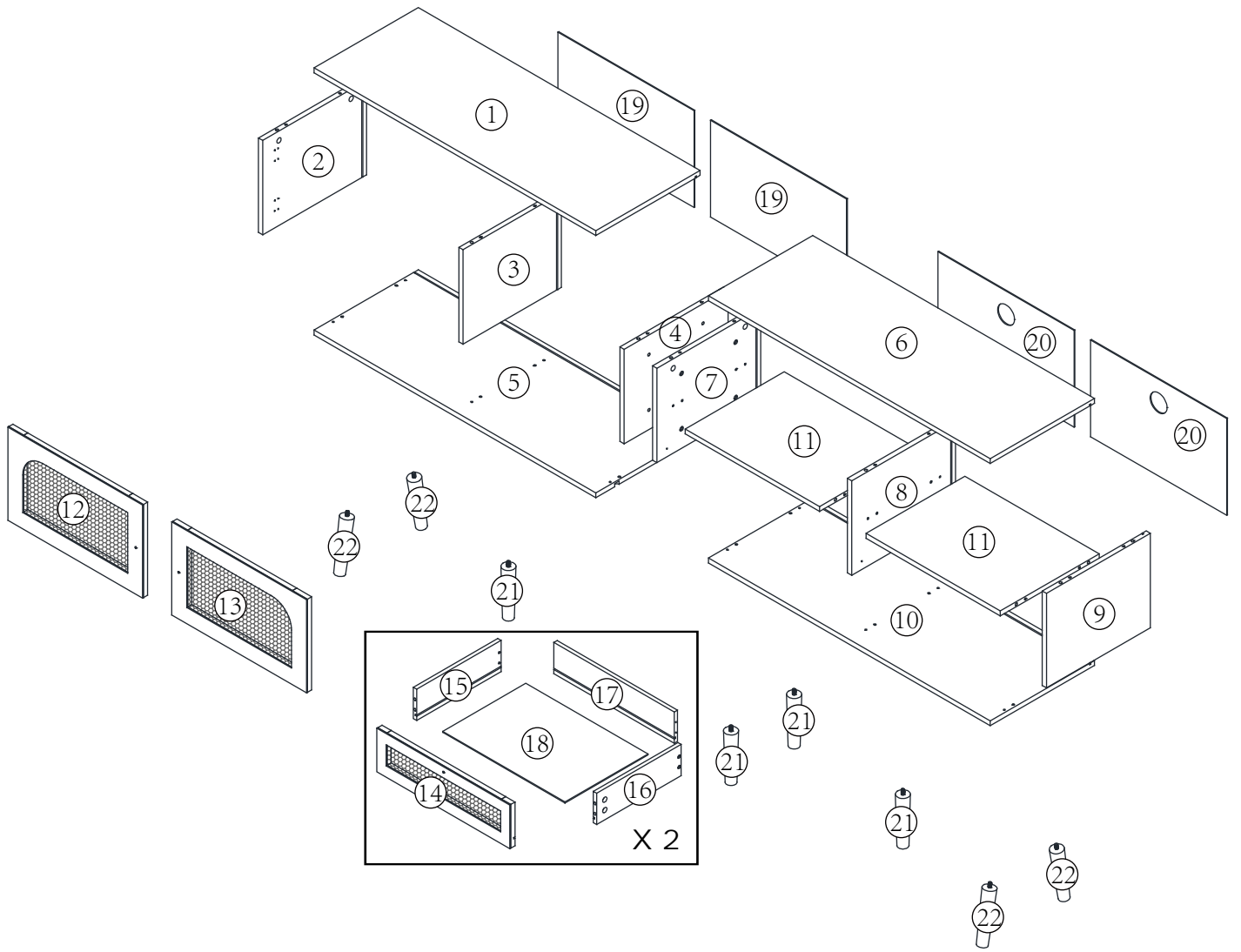
Important – Please read these instructions fully before starting assembly

Thank you for purchasing this quality product. Be sure to check all packing materials carefully for small parts, which may have come loose inside the carton during shipment. Identify and count all items according to the PARTS LIST and/or HARDWARE LIST shown below. Check you have all the components and tools listed on the following pages.

- We recommend that you assemble this product with the assistance of another person; this will make the assembly easier, and will help eliminate damage to the product or injury to persons during assembly.
- Please do not over tighten screws or bolts until the assembly is completed.
- Keep children and animal away from the work area, small parts could choke if swallowed.
- Please put all parts on a non-abrasive floor before assembly, and follow the assembly steps to assemble your newly purchased product correctly and efficiently.

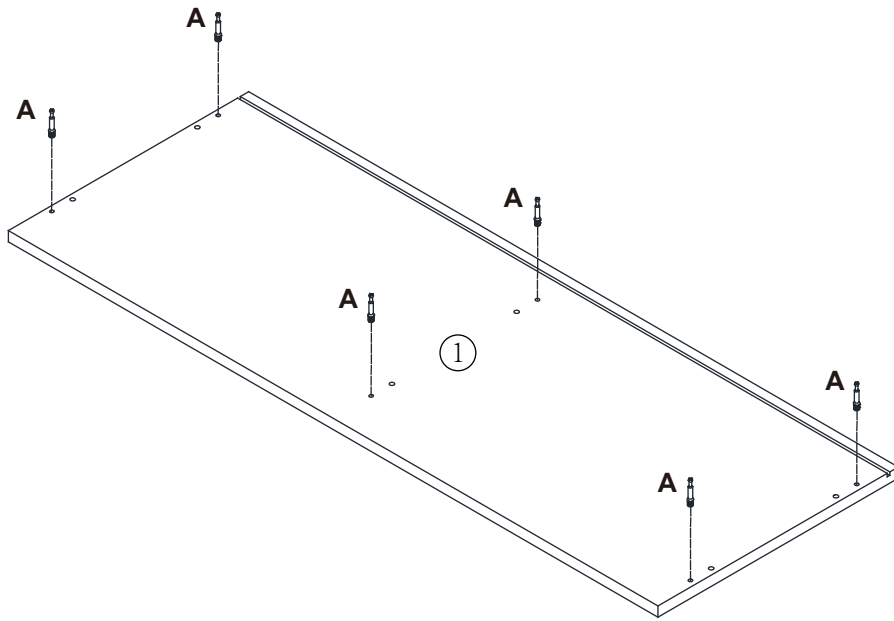
Cam Lock Assembly Instructions

		Diagram A Insert Cam Bolt into hole as shown in diagram A.
		Diagram B Make sure not to insert the Cam Bolt: Too deep as shown in figure B as this will cause the Cam Lock to be misaligned and unable to interlock properly.
		Diagram C Also avoid inserting the Cam Bolt too close to the surface of the hole as shown in figure C, as this will cause the Cam Lock to be too loose, and not interlock properly.
		Connect the panels together.
		ARROW SIGN Insert the Cam Lock so the side opening fits over the head of the Cam Bolt.
		To tighten the Cam Lock, turn it clockwise on half a turn with a flat screwdriver. <i>*Do not use an automatic screwdriver as it may bend or break if too much power is imposed.</i>

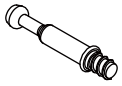


Ax28 	Bx28 	Cx28 M6x30	Dx12 M4x40	Ex8 M4x30	Fx16 M3x12
Gx38 M4x12	Hx24 M4x14	Ix4 M6x15	Jx4 M4x25	Kx2 M6x50	Lx4
Mx4 	Nx16 M3x14	Ox4 	Px4 	Qx4 	Rx4
Sx8 	Tx2 	Ux2 M4x35	Vx2 	Wx2 	CLx2 300mm
CRx2 300mm	DRx2 300mm	DLx2 300mm			

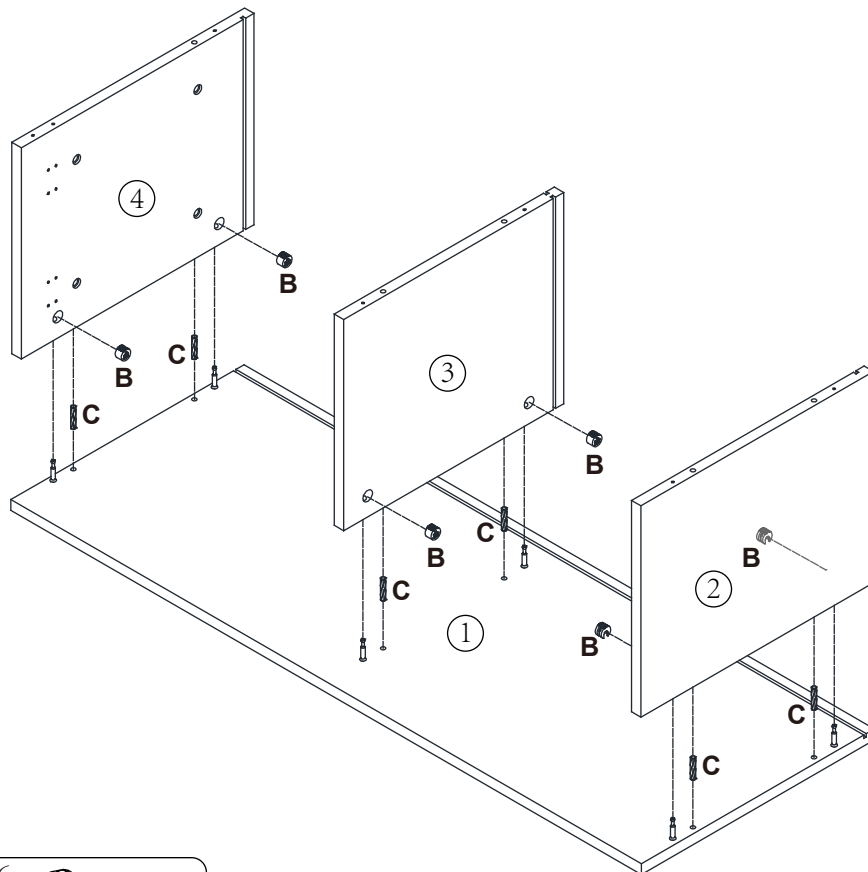
STEP 1



Ax6



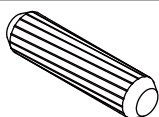
STEP 2



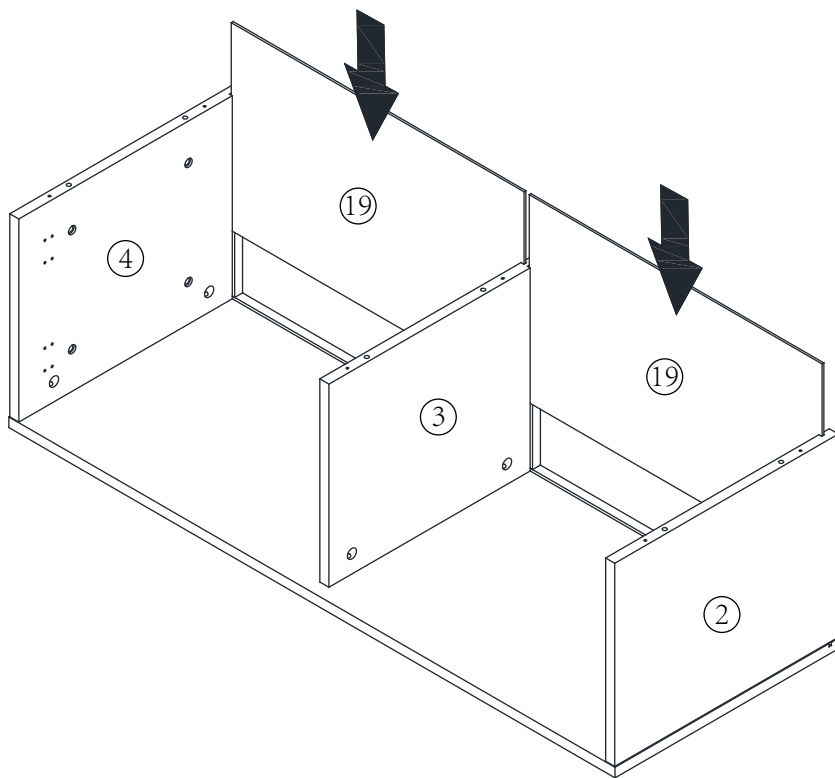
Bx6



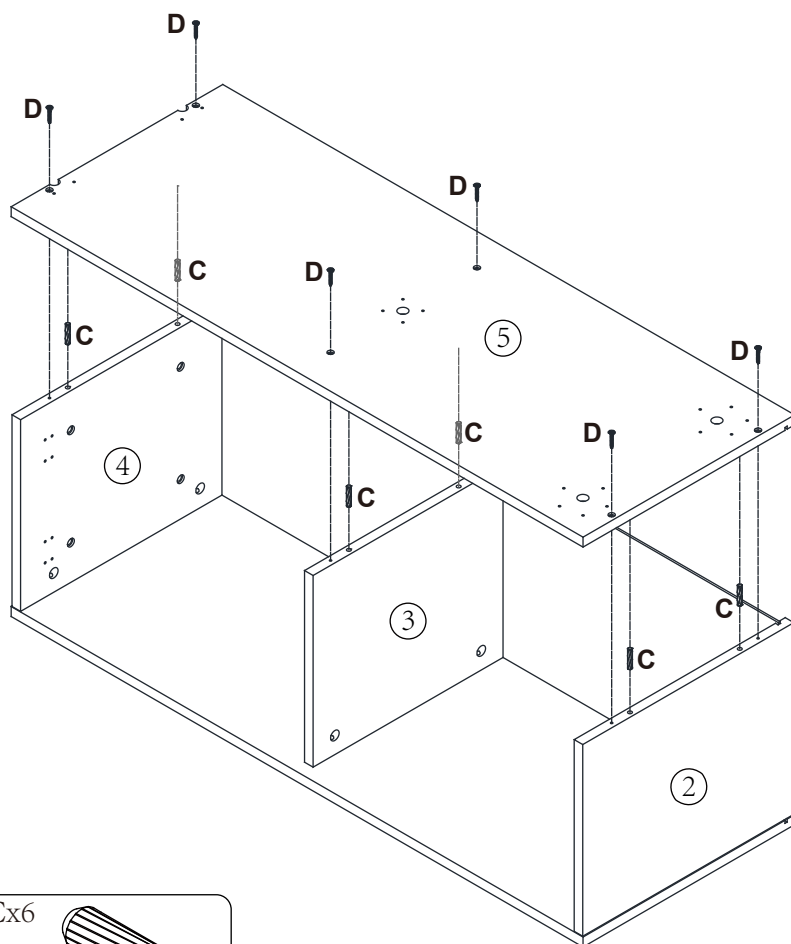
Cx6



STEP 3



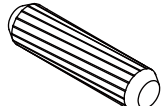
STEP 4



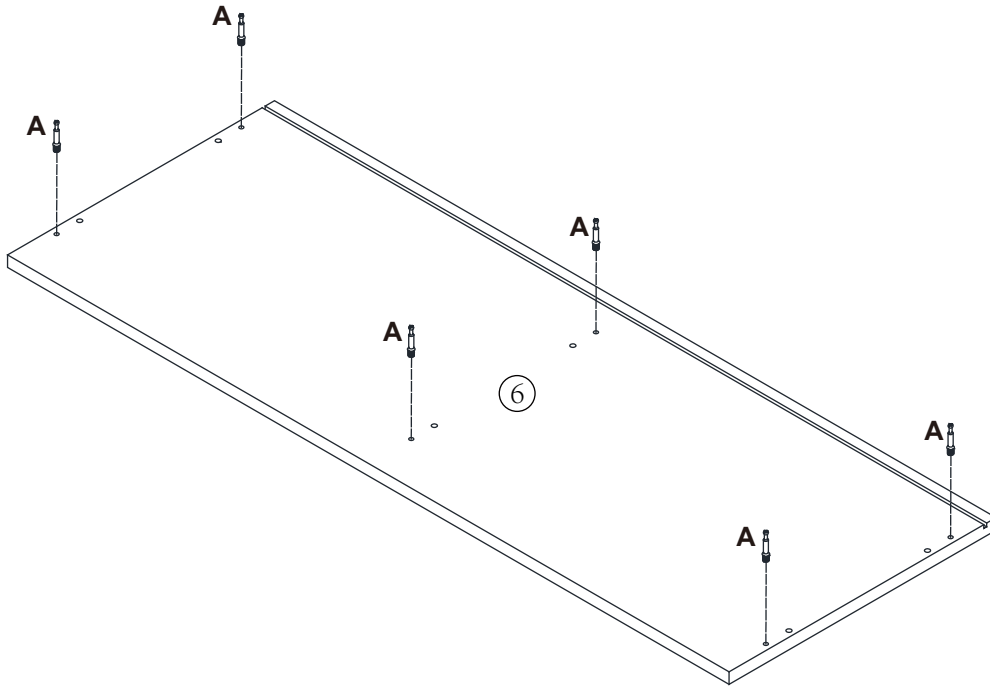
Dx6



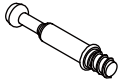
Cx6



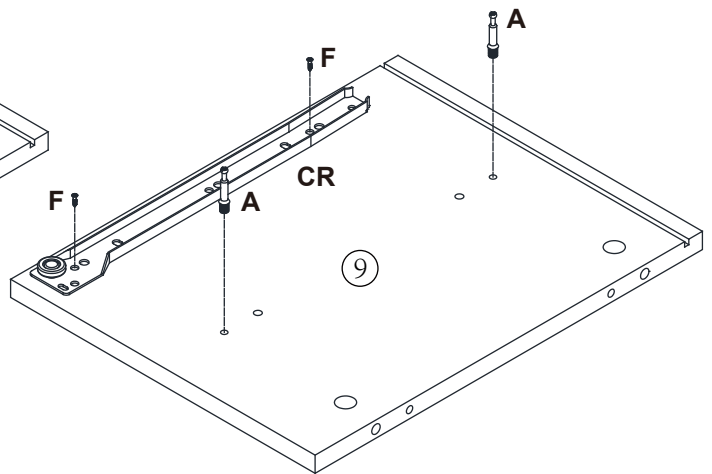
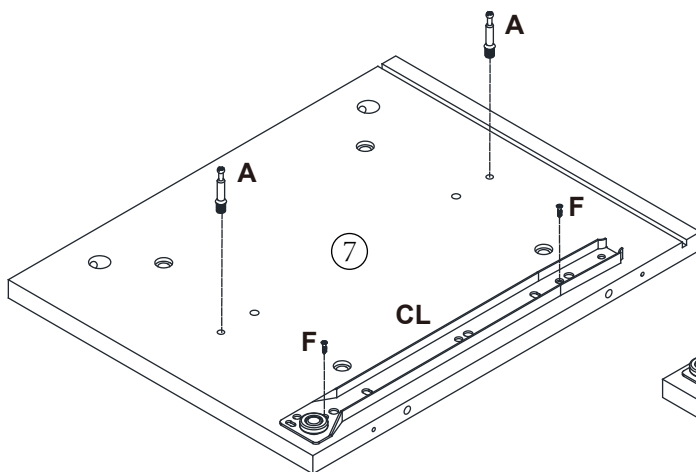
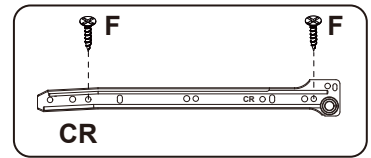
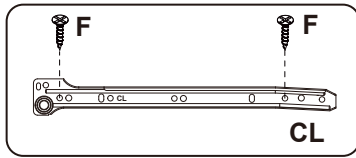
STEP 5



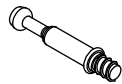
Ax6



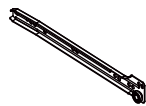
STEP 6



Ax4



CRx1



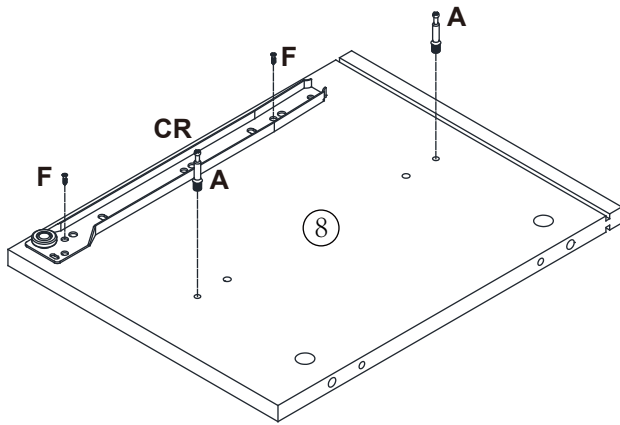
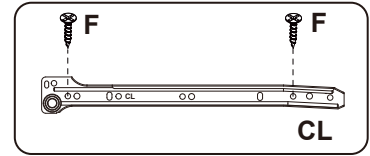
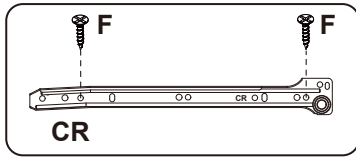
CLx1



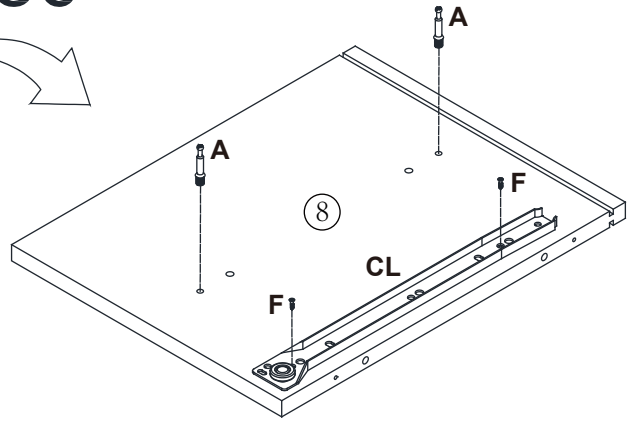
Fx4



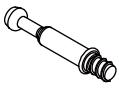
STEP 7



180°



Ax4



CRx1



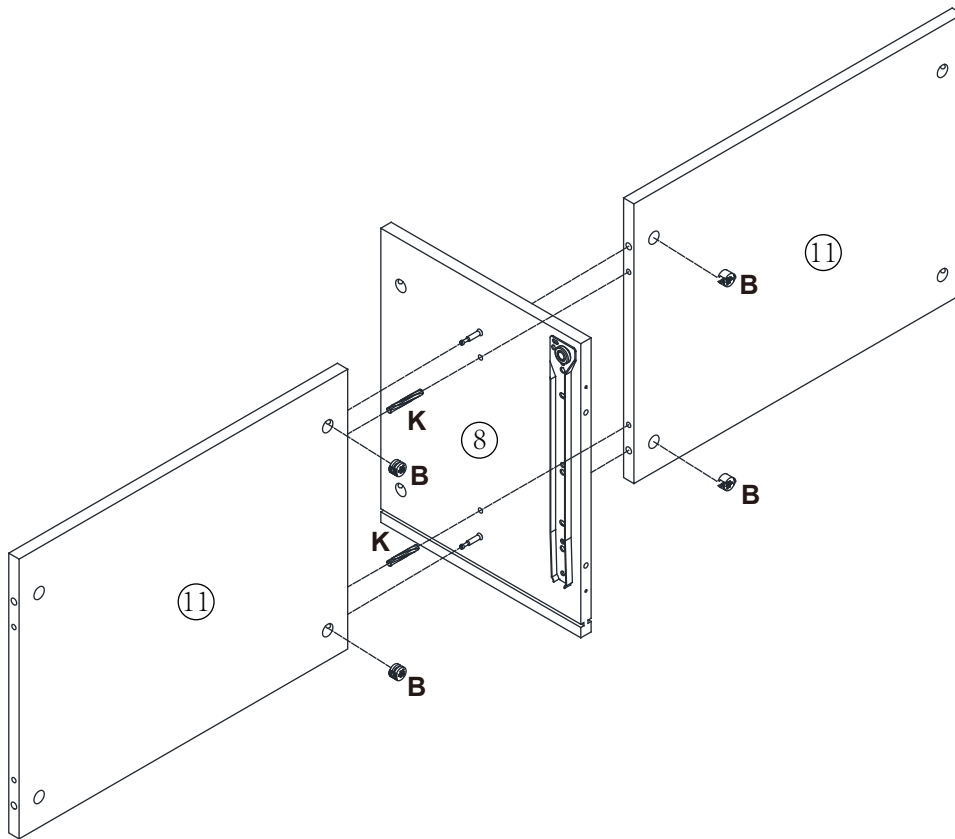
CLx1



Fx4



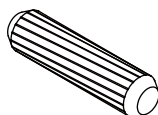
STEP 8



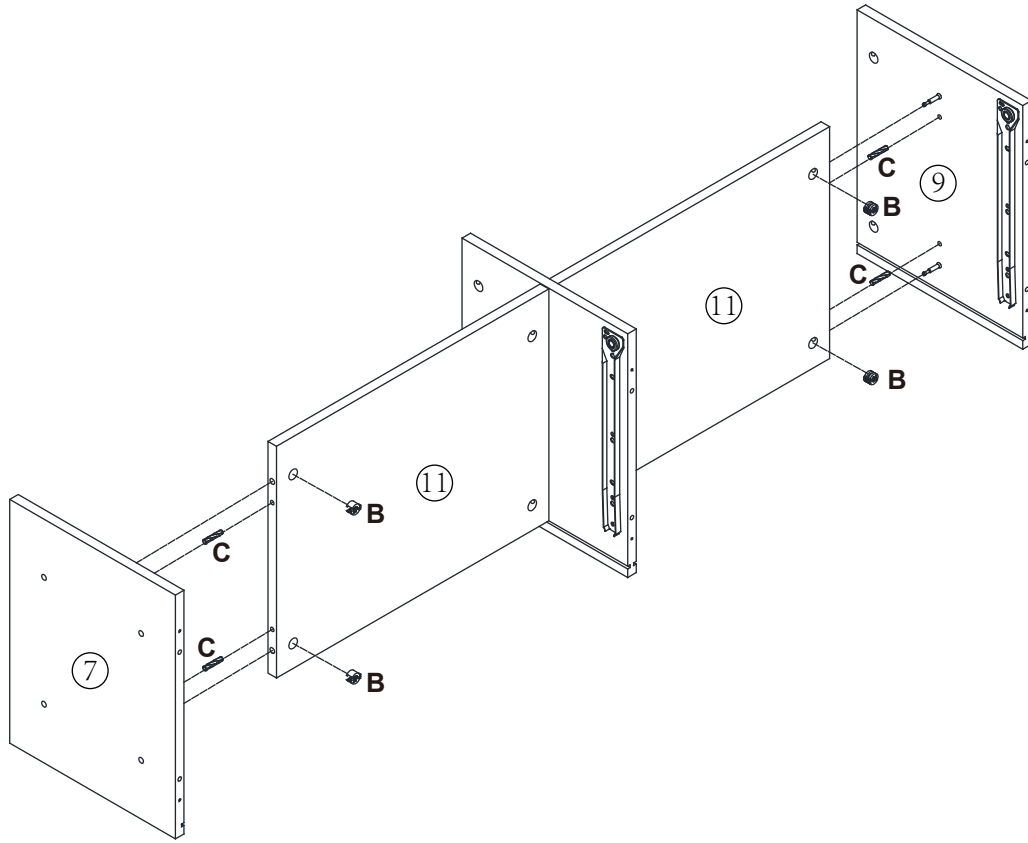
Bx4



Kx2



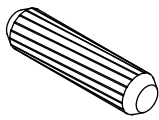
STEP 9



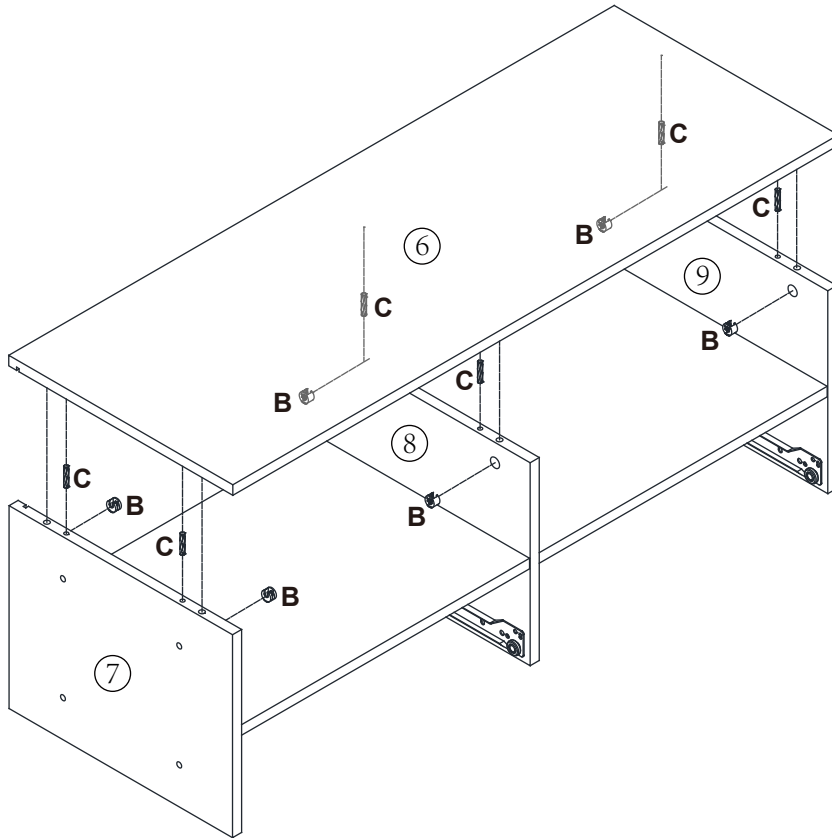
Bx4



Cx4



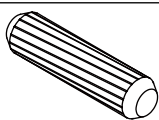
STEP 10



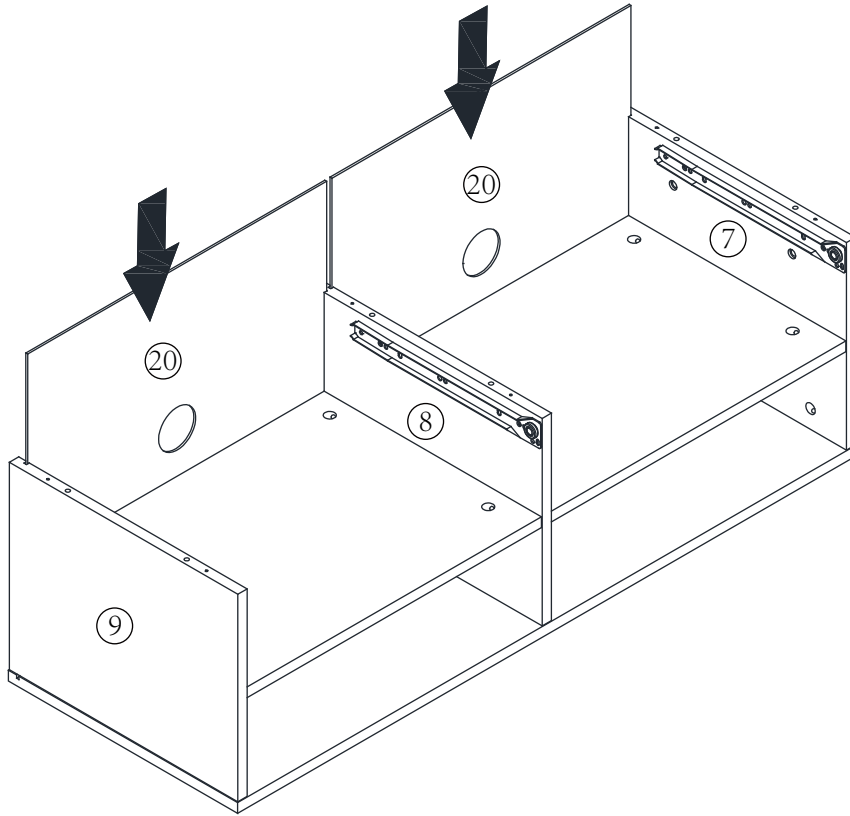
Bx6



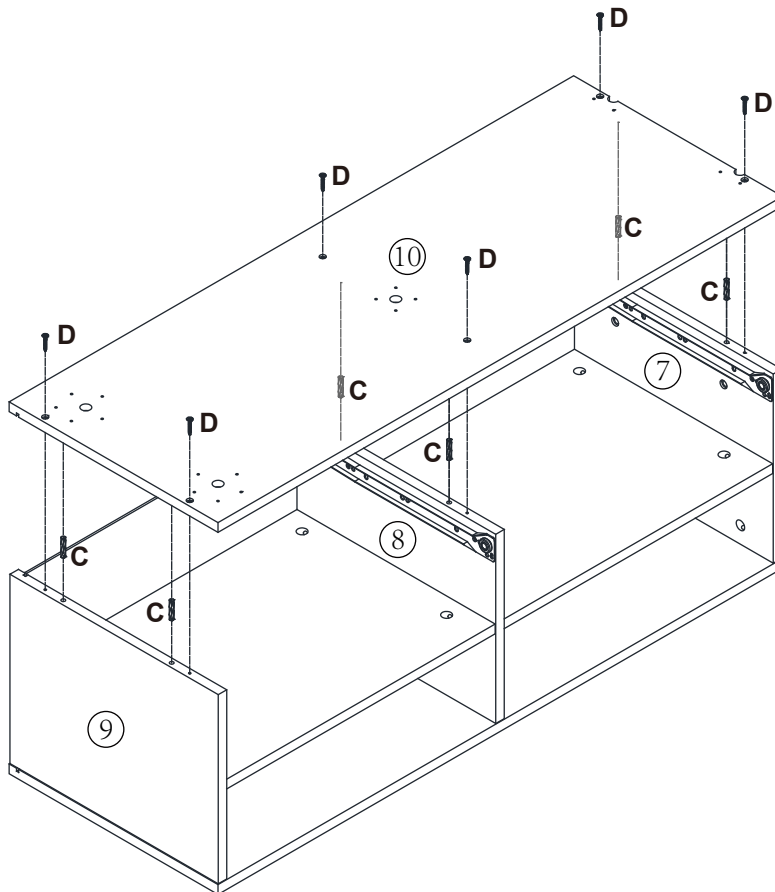
Cx6



STEP 11



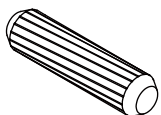
STEP 12



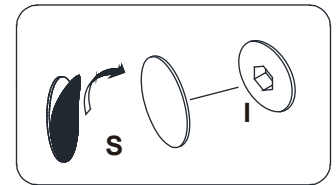
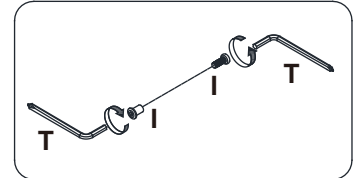
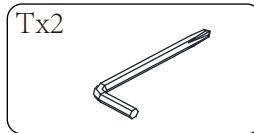
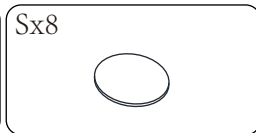
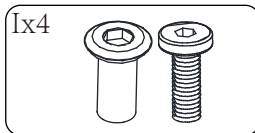
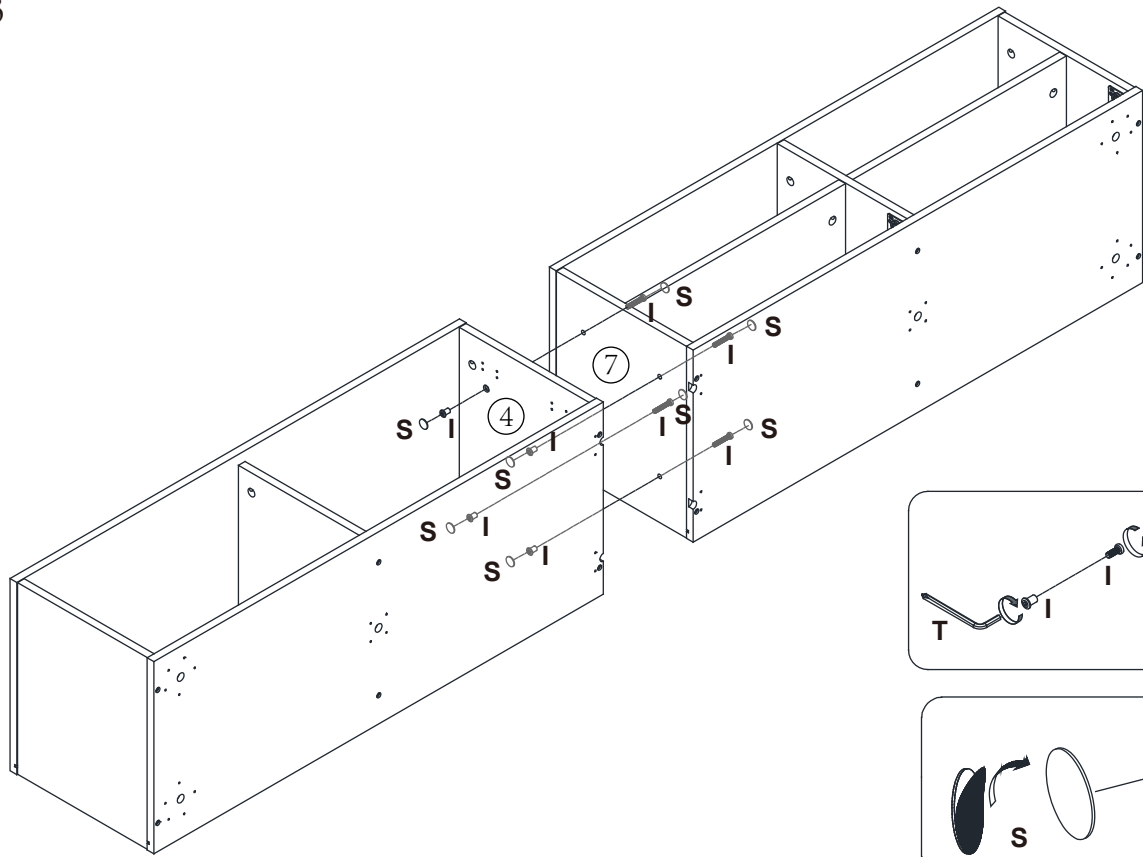
Dx6



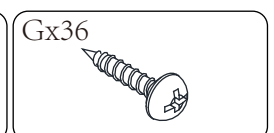
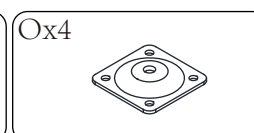
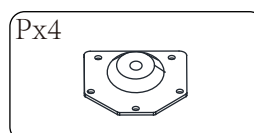
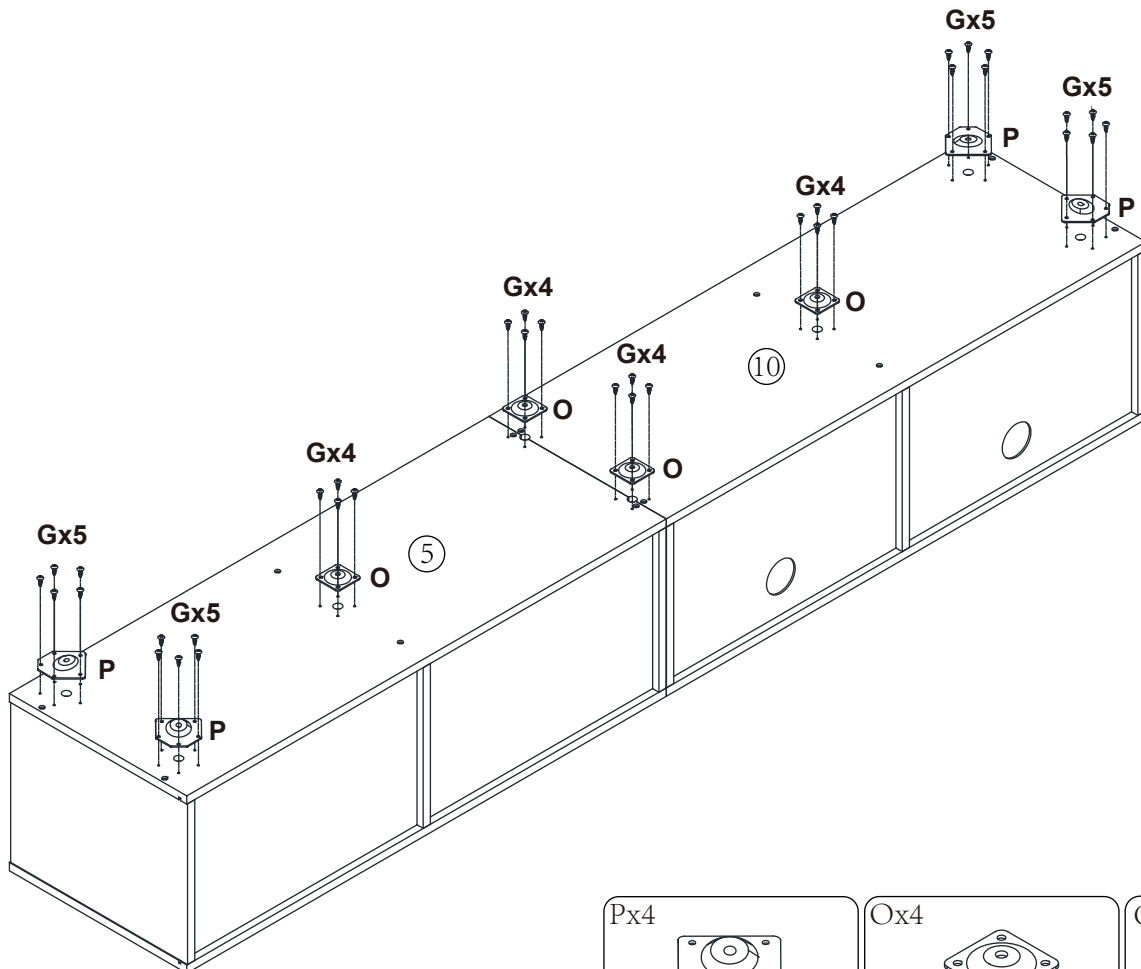
Cx6



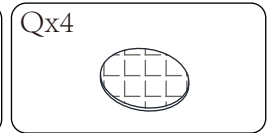
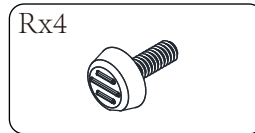
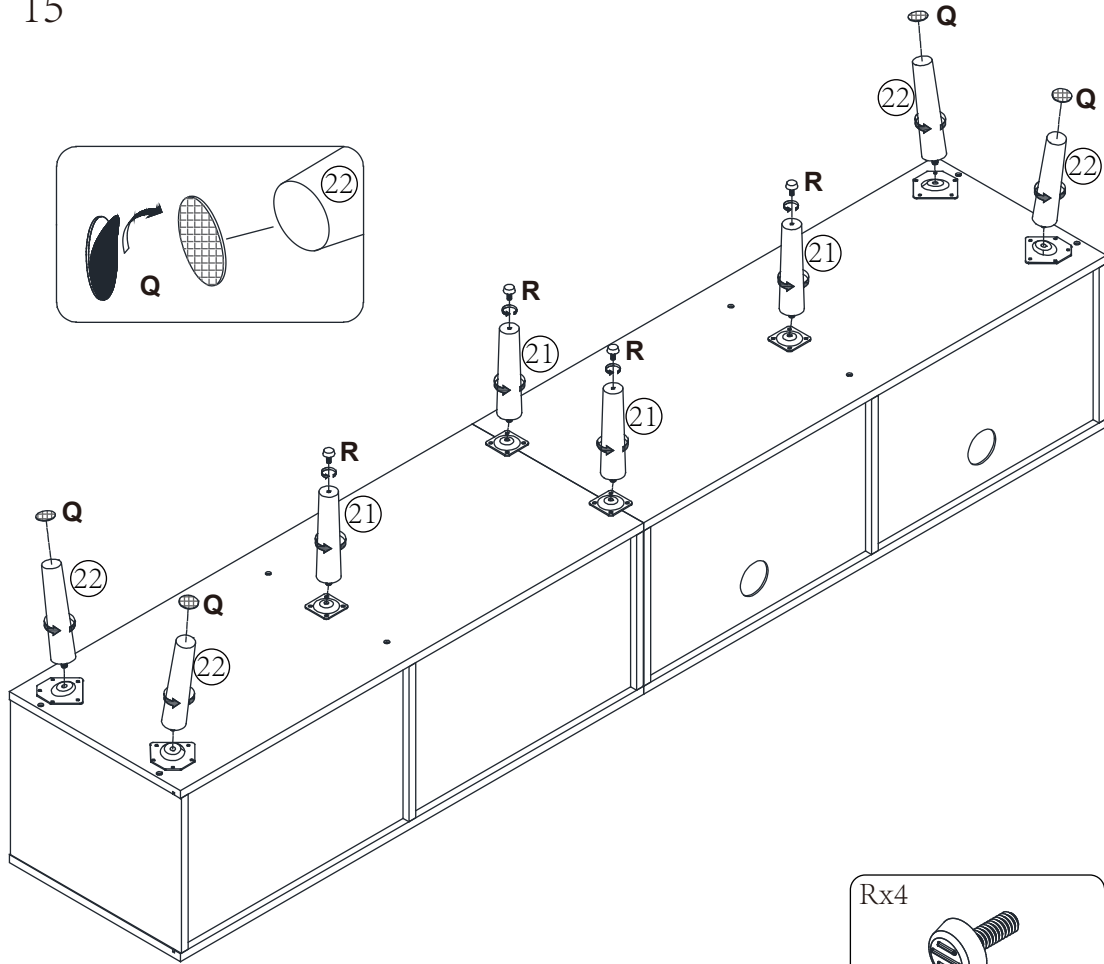
STEP 13



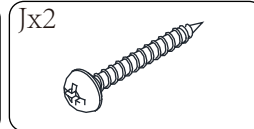
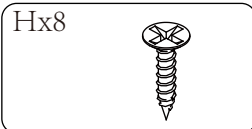
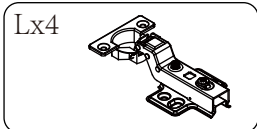
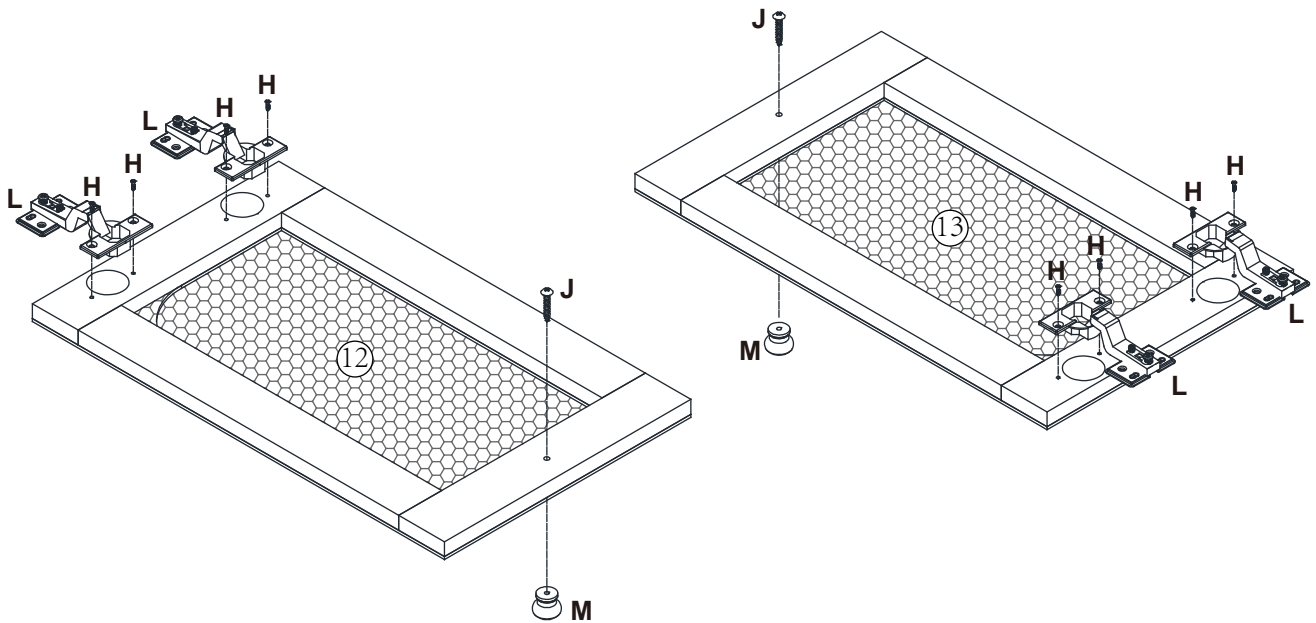
STEP 14



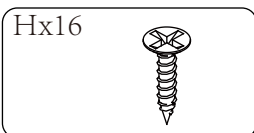
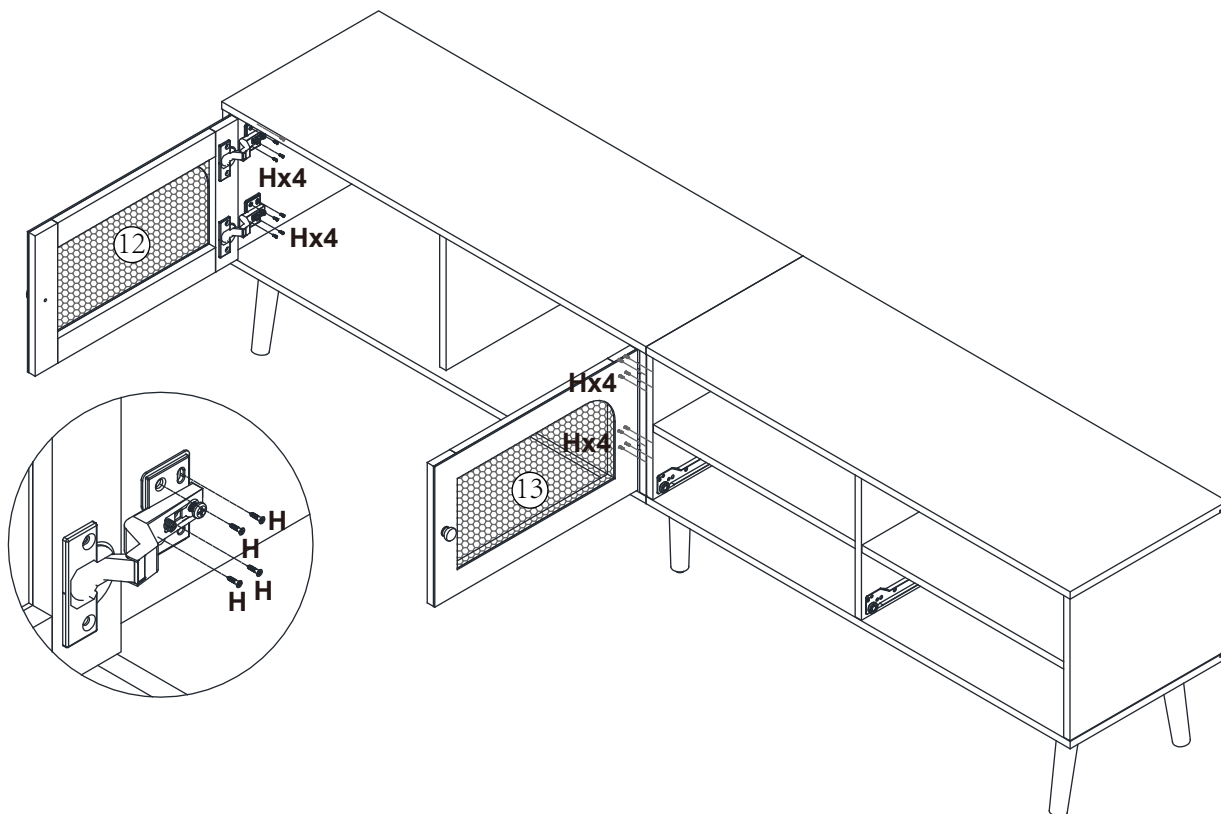
STEP 15



STEP 16

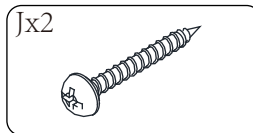
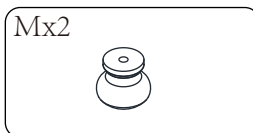
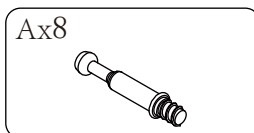
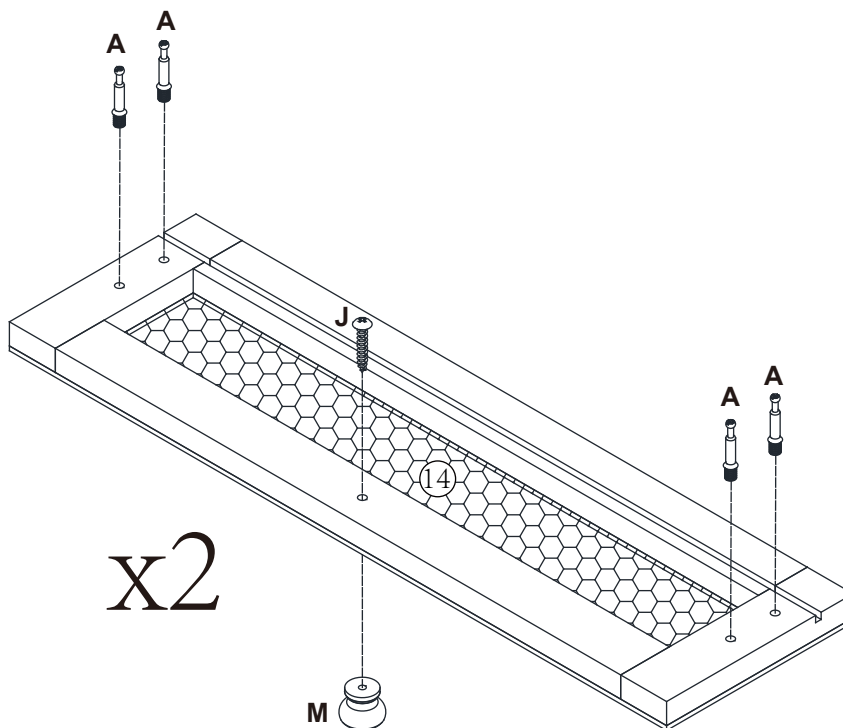


STEP 17

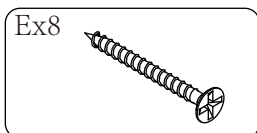
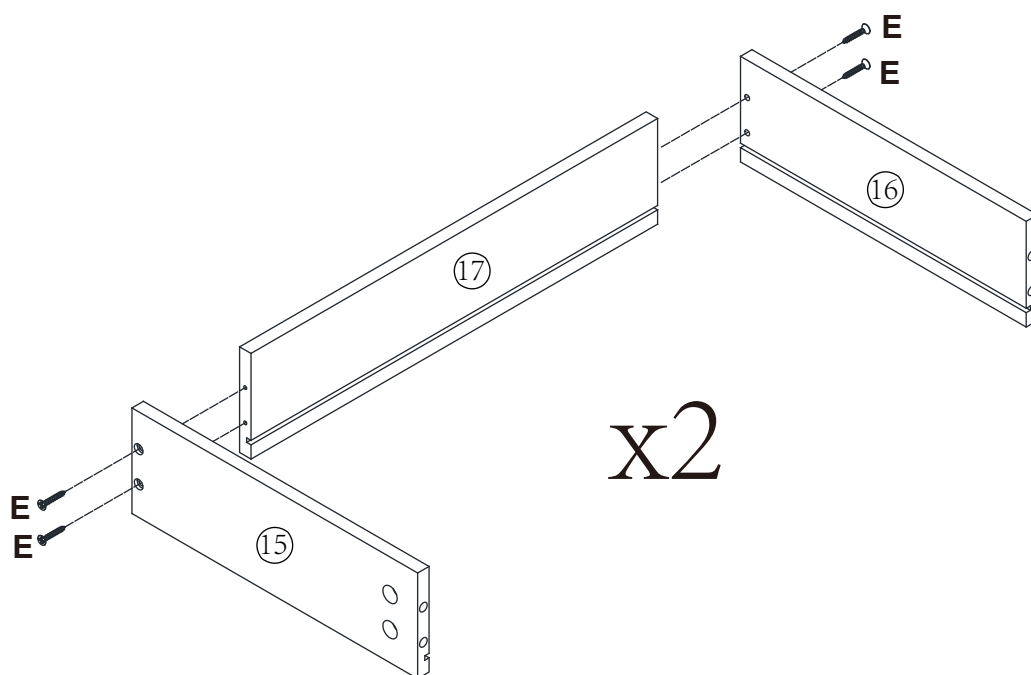


(For detailed hinge adjustment instructions, please refer to the last page.)

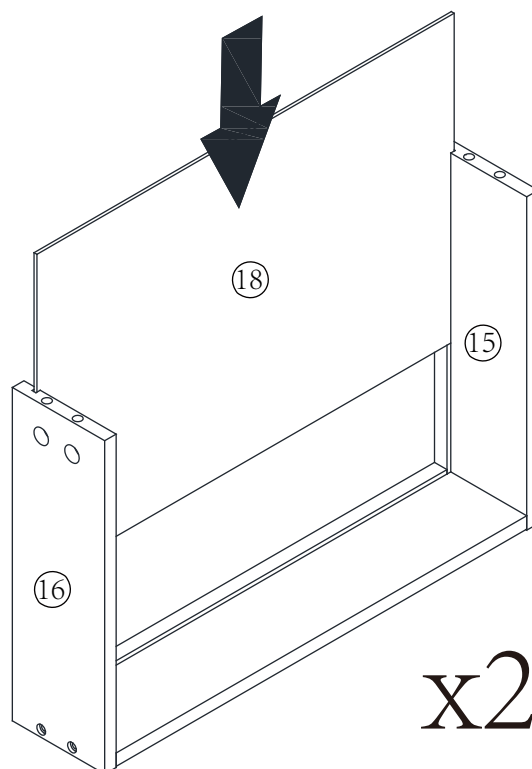
STEP 18



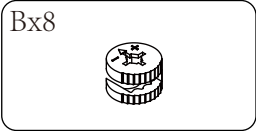
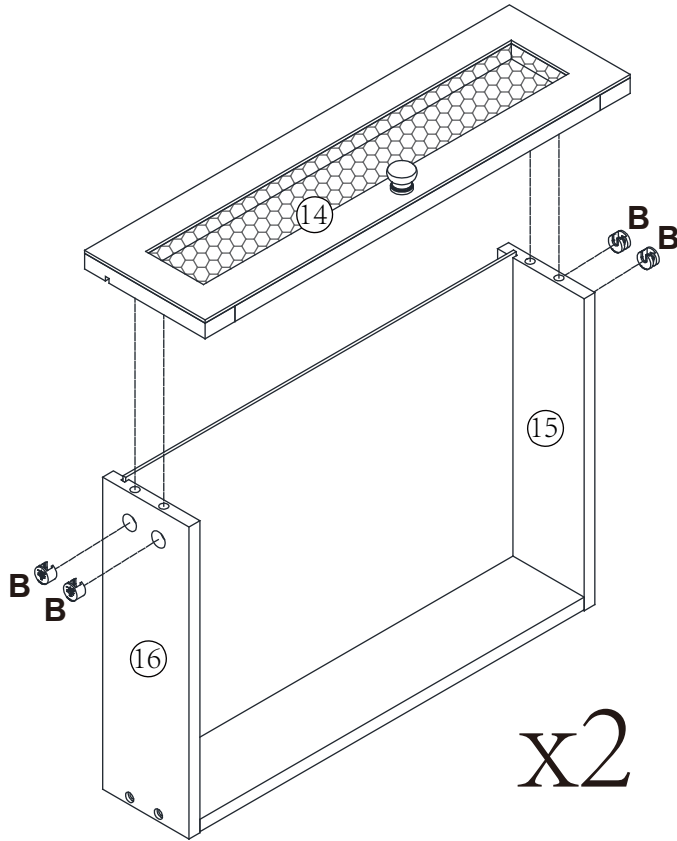
STEP 19



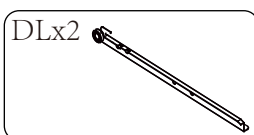
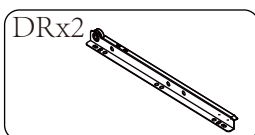
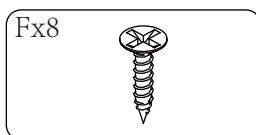
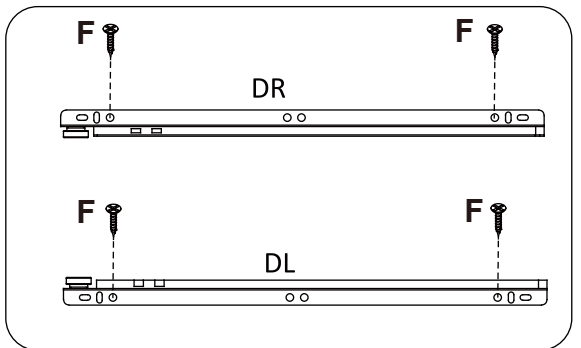
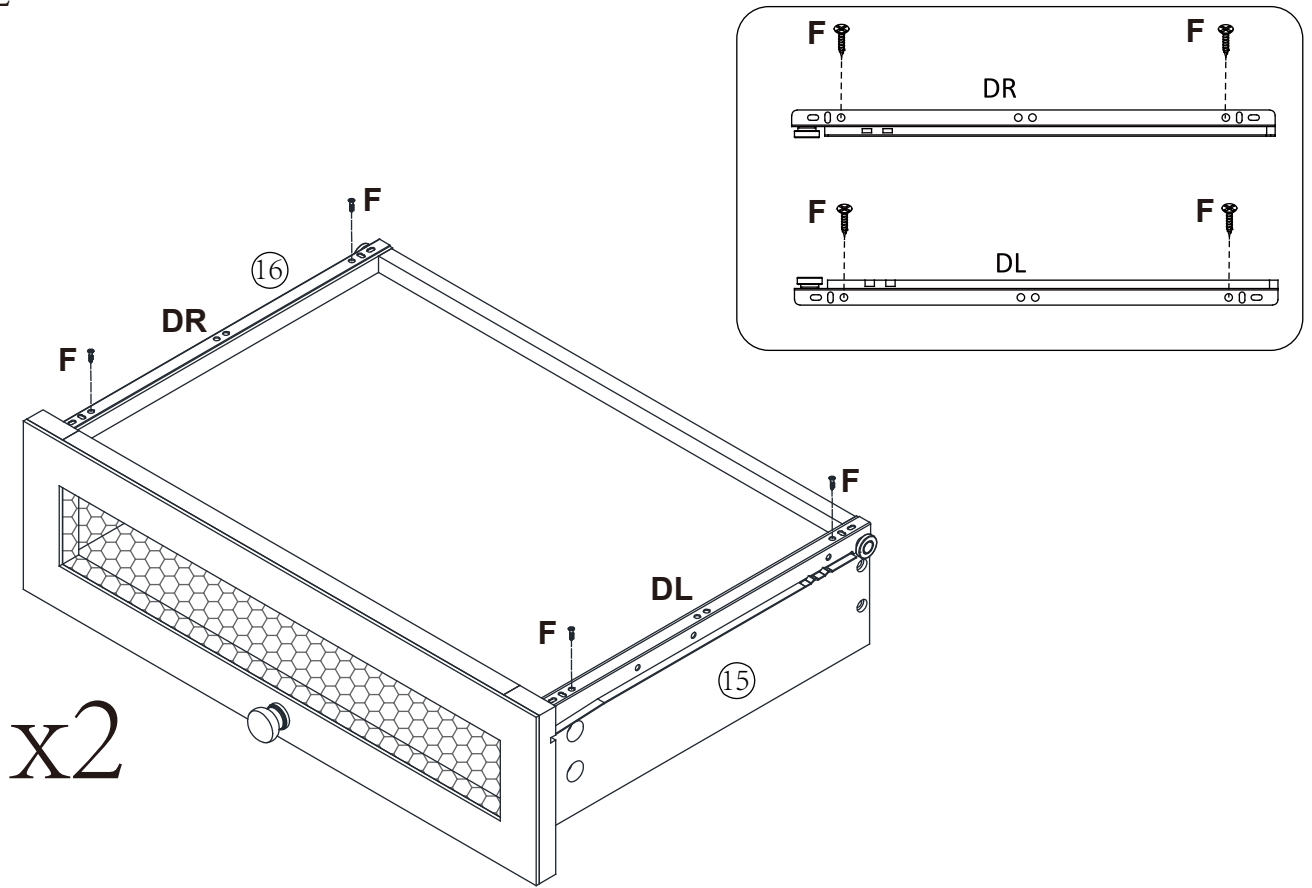
STEP 20



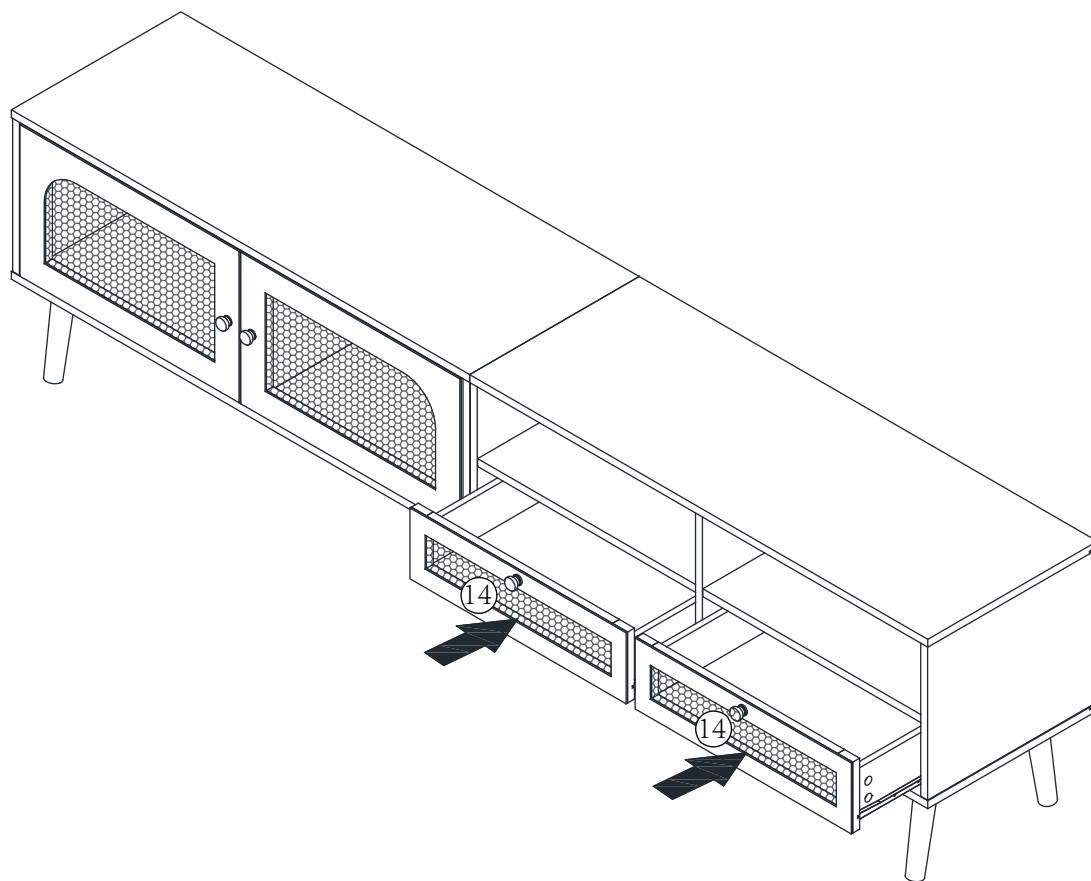
STEP 21



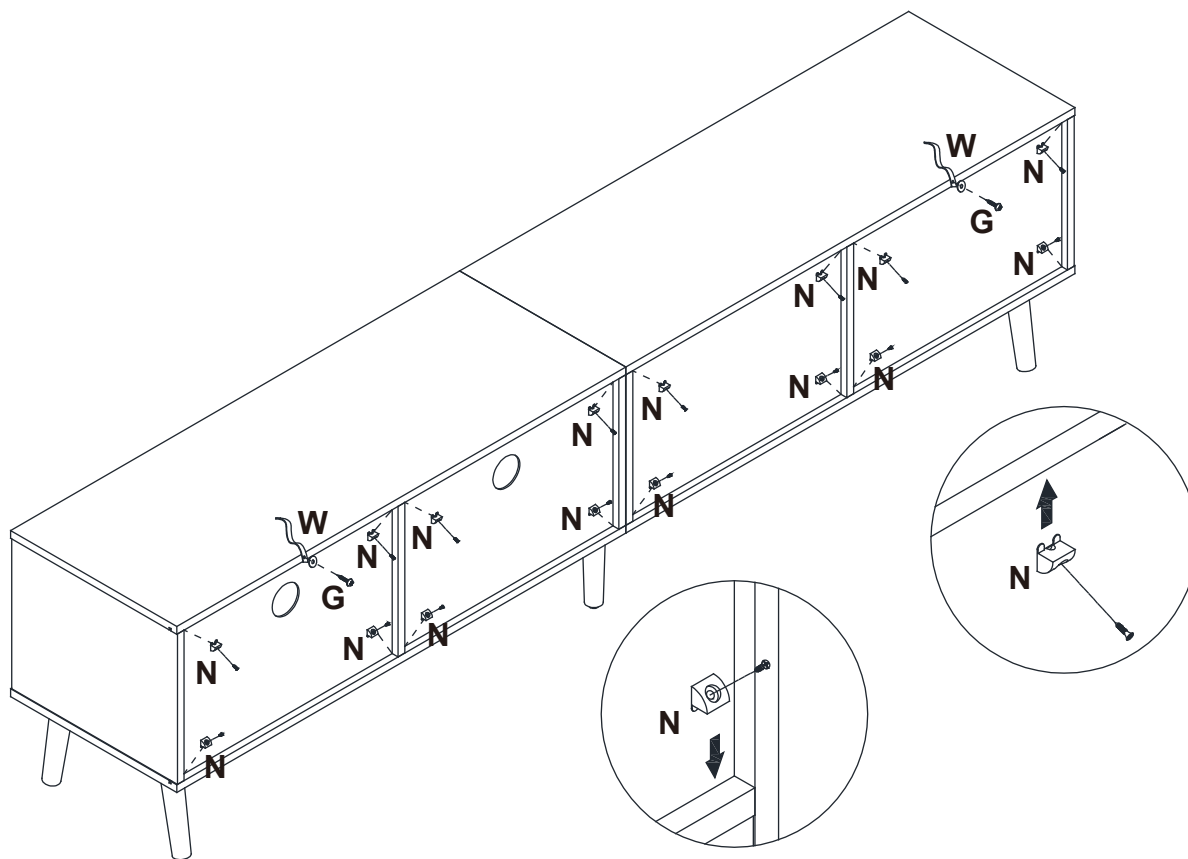
STEP 22



STEP 23



STEP 24



Nx16



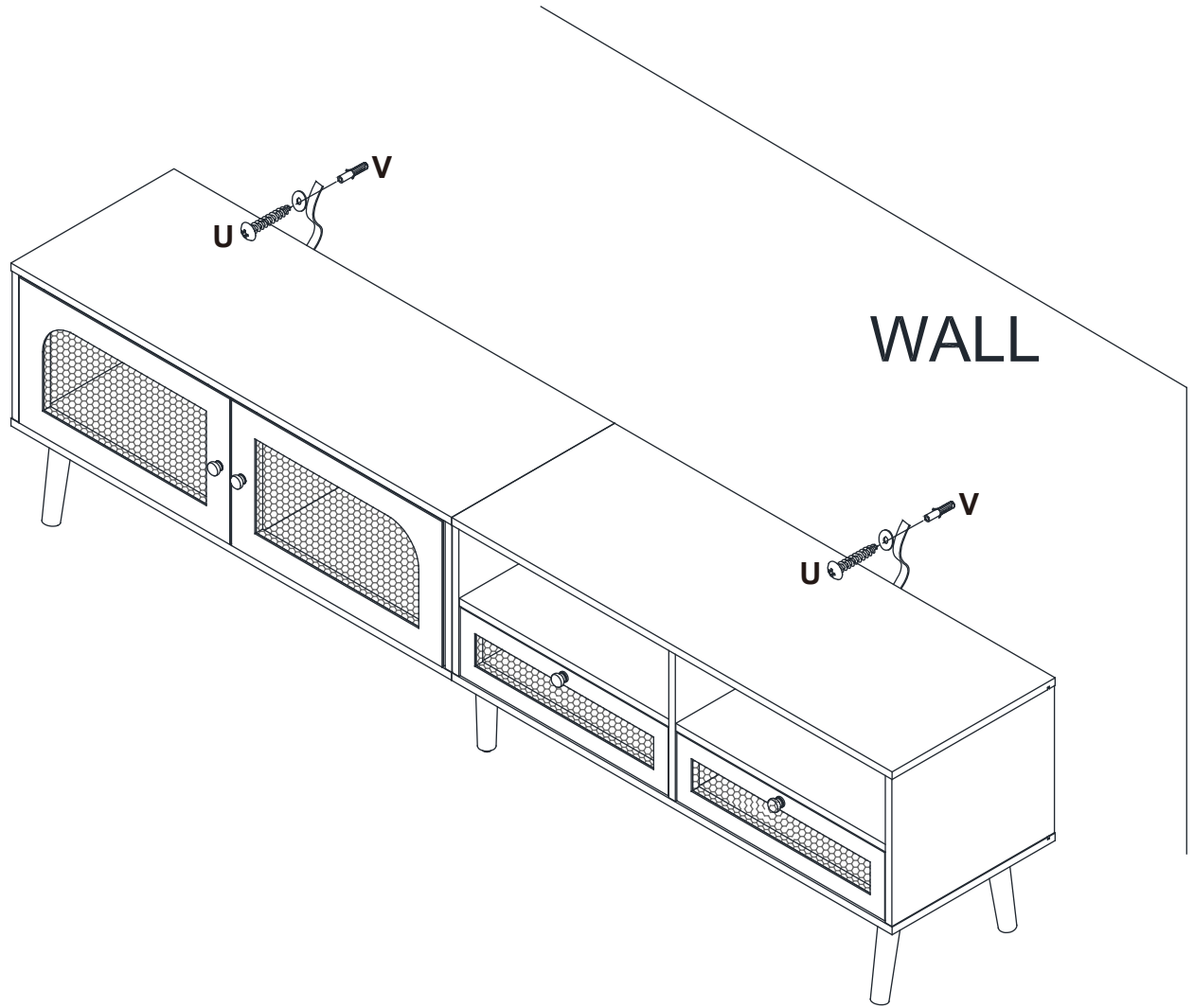
Gx2



Wx2



STEP 25



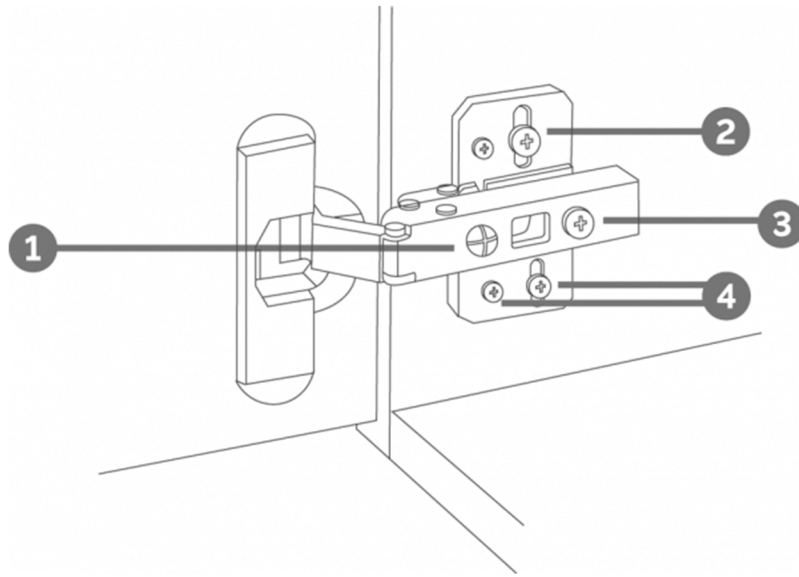
Ux2



Vx2

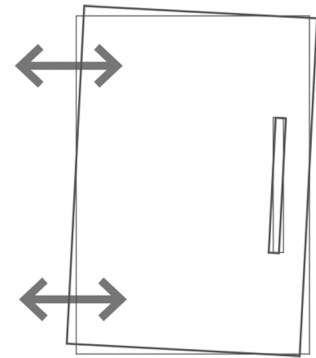


HINGE ADJUSTMENTS



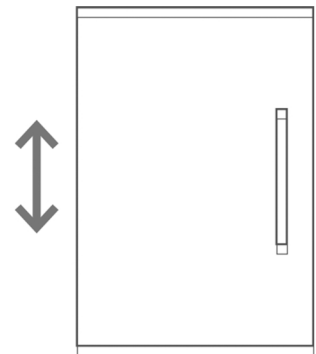
1 Sideways / Tilt adjustment

Turn the screw
clockwise to move the door further away from
the side of the cabinet
anticlockwise to move the door closer to the
side of the cabinet



2 4 Height adjustment

While supporting the weight of the door, turn the
screws
clockwise to move the door up
anticlockwise to move the door down



3 Forward and back adjustment

If the gap between the back of the door and the
cabinet is too small, and the door may not close
fully. Turn the screw
clockwise to decrease the gap between the
door and the cabinet
anticlockwise to increase the gap between the
door and the cabinet

